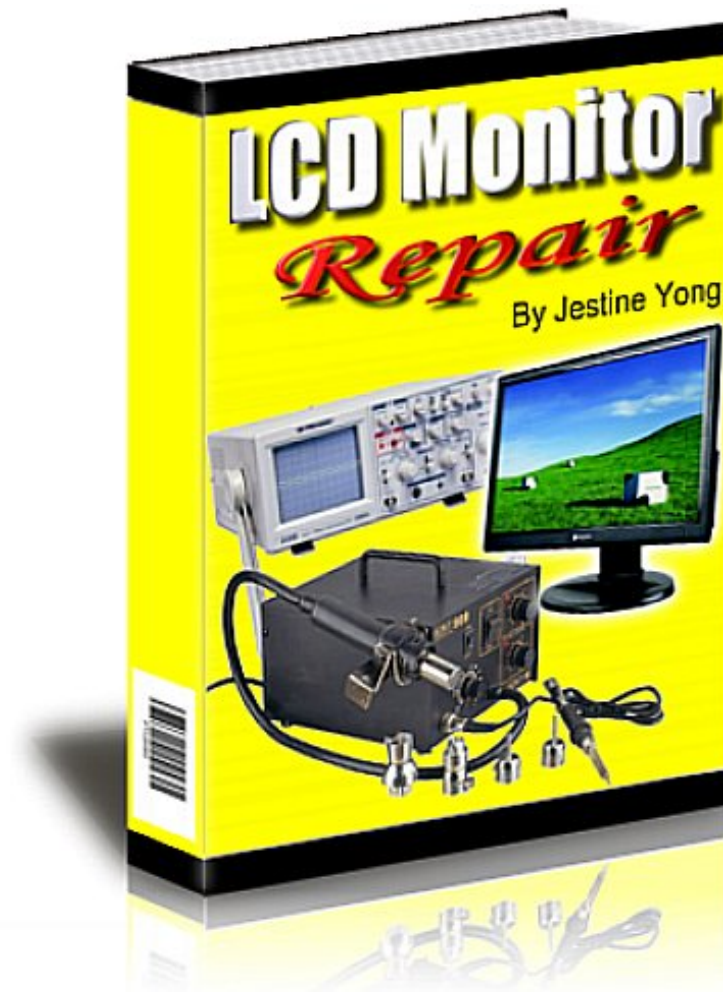


Preview of the book

LCD Monitor Repair



Brought to you by Jestine Yong

<http://www.LCD-Monitor-Repair.com>

You cannot give this E-book away for free.
You do not have the rights to redistribute this E-book.

Copyright@ All Rights Reserved

Warning! This is a copyrighted material; no part of this guide may be reproduced or transmitted in any form whatsoever, electronic, or mechanical, including photocopying, recording, or transmitting by any informational storage or retrieval system without expressed written, dated and signed permission from the author. You cannot alter, change, or repackage this document in any manner.

Jestine Yong reserves the right to use the full force of the law in the protection of his intellectual property including the contents, ideas, and expressions contained herein. Be aware that eBay actively cooperates in closing the account of copyright violators and assisting in the legal pursuit of violations.

DISCLAIMER AND/OR LEGAL NOTICES

The reader is expressly warned to consider and adopt all safety precaution that might be indicated by the activities herein and to avoid all potential hazards. This E-book is for informational purposes only and the author does not accept any responsibilities or liabilities resulting from the use of this information. While every attempt has been made to verify the information provided here, the author cannot assume any responsibility for any loss, injury, errors, inaccuracies, omissions or inconvenience sustained by anyone resulting from this information. Most of the tips and secrets given should only be carried out by suitably qualified electronics engineers/technicians. Please be careful as all electrical equipment is potentially dangerous when dismantled. Any perceived slights of policy, specific people or organizations are unintentional.

If you have any information regarding the illegal reselling or duplication of this E-book, please report it to jestineyong@electronicrepairguide.com for your reward.

Dedication

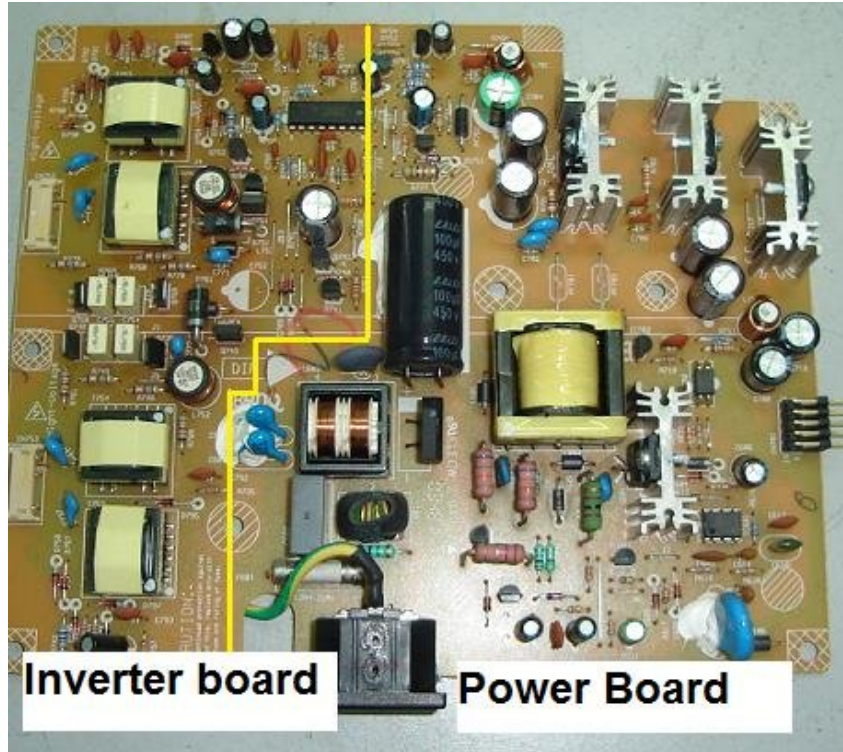
This book is dedicated to my
loving wife Michelle and children Noah and Hannah, working partner
William Hor, his wife Stephanie and their daughter Naomi

Content

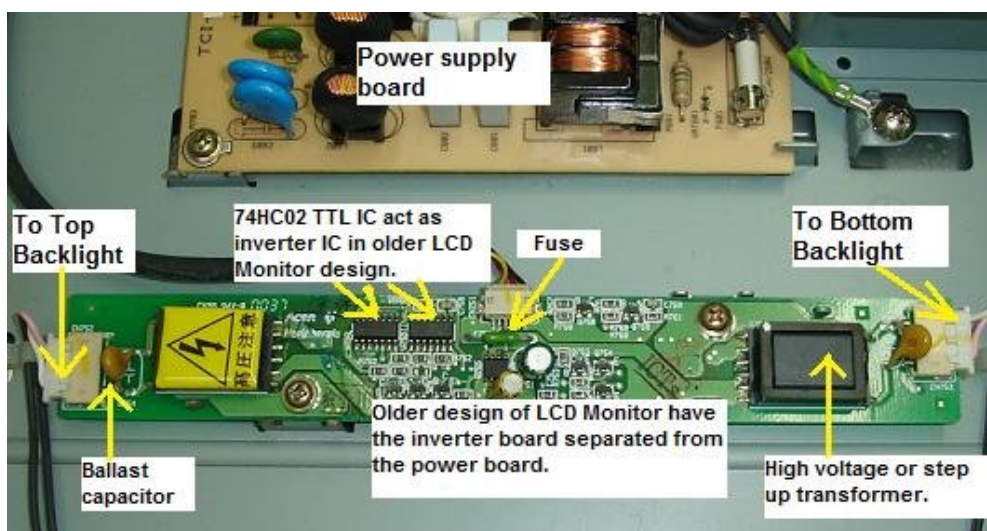
1. Understanding Liquid Crystal Display (LCD) Technology.....	6
2. Overview of LCD Monitor Circuits.....	17
3. LCD Monitor Block Diagram.....	20
4. Understanding the Power Supply Board.....	21
5. Understanding the Main Board/AD Board.....	28
6. Understanding the Inverter Board.....	33
7. Understanding the Start Circuit.....	44
8. Understanding the Backlights.....	49
9. Understanding the LCD Panel.....	59
10. Understanding LCD Monitor Factory Service Mode.....	65
11. The Different Between Plasma and LCD.....	69
12. Tools and Test Equipment.....	71
13. Secret of Opening LCD Monitor Cover.....	76
14. Understanding SMD Resistor Codes and Testing.....	81
15. Understanding SMD Capacitor Codes and Testing.....	85
16. Understanding SMD Transistor and Diode Codes and Testing.....	92
17. Understanding IC Codes in LCD Monitors.....	96
18. Schottky Diode Application and Testing.....	99
19. Understanding Stuck and Dead Pixel in LCD Monitors.....	105

20. About Cracked LCD Monitor Panels.....	109
21. LCD Monitor Critical Voltage Test Points.....	112
22. LCD Monitor Critical Waveform Test Points.....	125
23. Troubleshooting Colour Problems.....	134
24. Troubleshooting White Display Problem.....	138
25. Troubleshooting Intermittent Vertical Line	141
26. Troubleshooting One Horizontal Line	145
27. How to Repair LCD Monitor Power Adapter.....	147
28. How to Repair No Power Problem in Dell E151FP.....	156
29. How to Repair No Display Symptom in Dell E152FPB.....	162
30. How to Repair Display Shutdown Problem in Dell E153FPC.....	166
31. How to Repair Power Blink Problem in Dell E173FPB.....	170
32. How to Repair Intermittent No Power in ACER AL511....	174
33. How to Repair No Display Problem in Acer FP558.....	177
34. How to Repair Black and White Horizontal Bar Across Screen Problem in Samsung 151V.....	181
35. How to Repair Dim Display Problem in Samsung 153V.....	184
36. How to Repair No Power Problem In Samsung 153V.....	189
37. How to Repair No Power Problem in Samsung 510N.....	192
38. How to Repair No Display Problem in Samsung 713N.....	196
39. Recommended Resources.....	199
40. Conclusion.....	200

Understanding Inverter Board



For a newer LCD Monitor design, the inverter board is joining together with the power board as shown in the above photo. Older LCD Monitor has the inverter board separated from the power board as shown below

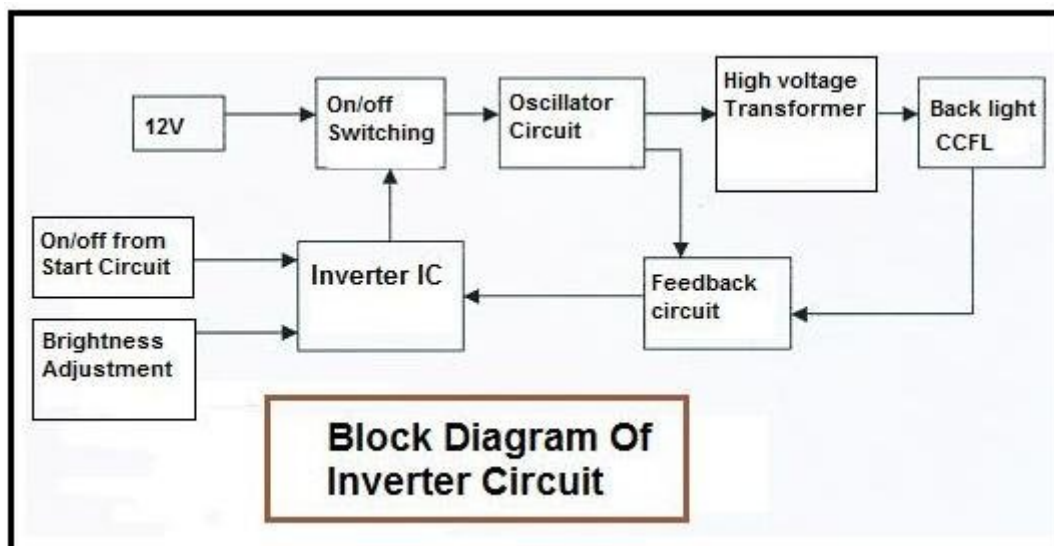


There are four types of inverter designs (topologies) used in the LCD Monitors.

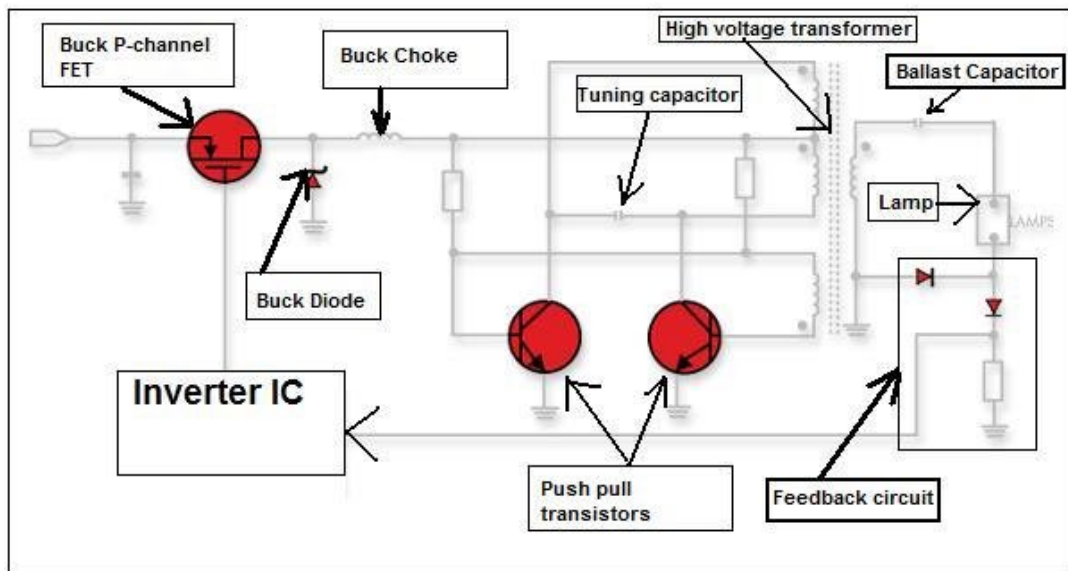
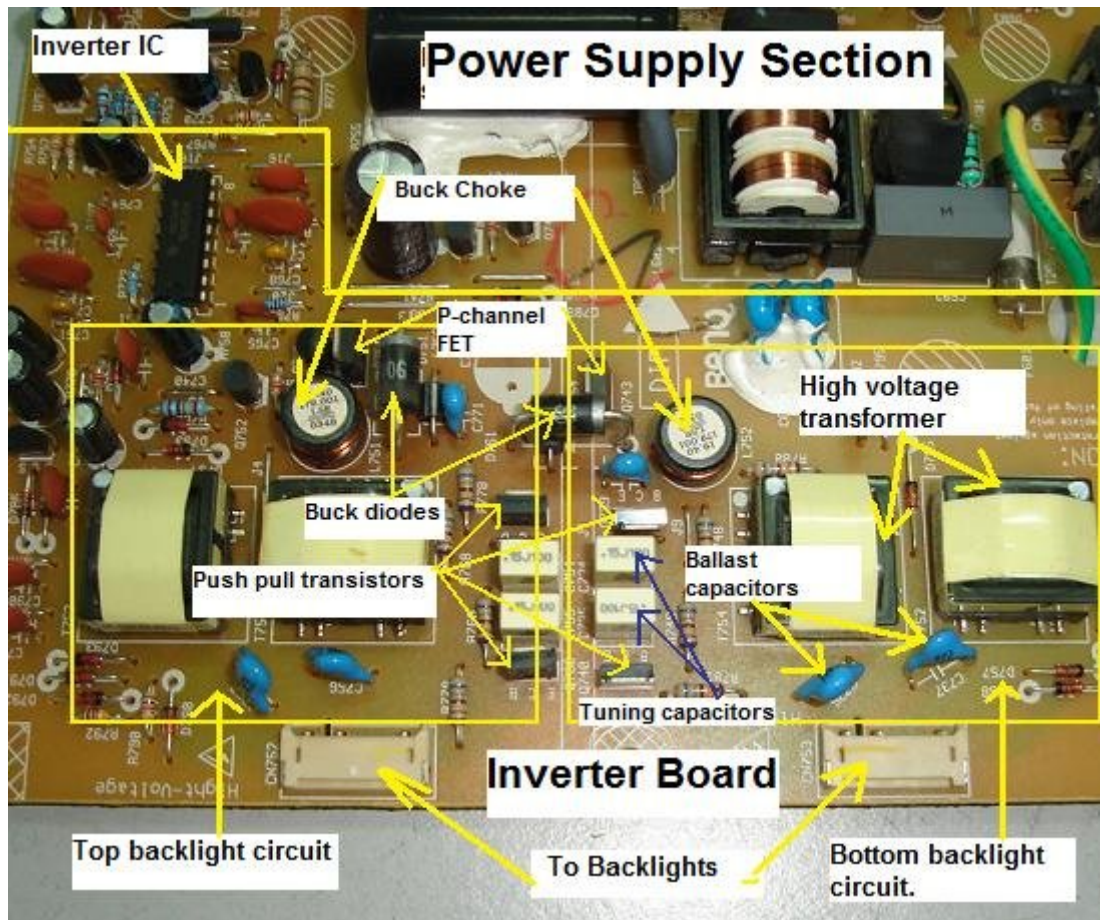
- 1) **Buck Royer inverter**
- 2) **Push pull inverter (Direct Drive)**
- 3) **Half bridge inverter and (Direct Drive)**
- 4) **Full bridge inverter (Direct Drive)**

Number 2, 3 and 4 are called **Direct Drive** because it eliminates the need for the inductor (buck choke) and resonant capacitors found in a conventional Royer Oscillator. In other words, Direct Drive architecture reduces component count, lower production cost and most importantly improved transformer designs that optimize performance.

1) **Buck Royer Inverter**



Block diagram of Buck Royer inverter



A Basic Schematic of a Buck Royer Circuit

To read the full explanation about Inverters and the rest of the chapter of **“LCD Monitor Repair”** (200 pages) please go to

<http://www.LCD-Monitor-Repair.com>

Don't waste anymore your time searching the internet for the magic solution. Learn how you can repair LCD Monitor like a professional **Right Now!**

<http://www.LCD-Monitor-Repair.com>