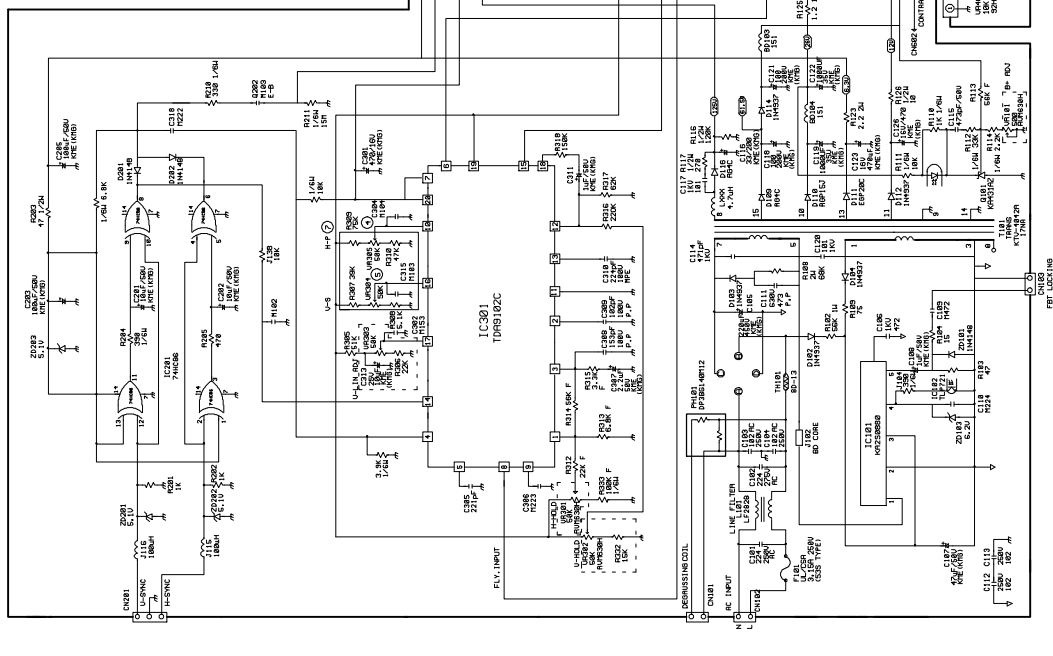
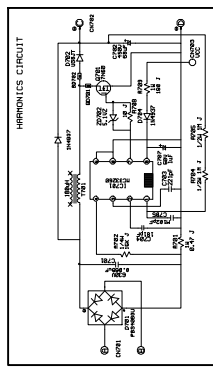
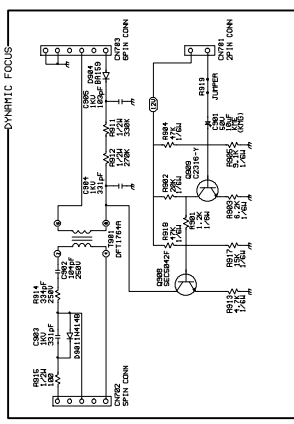


REV	CONTENTS	ECO NO	DATE
1	REV 07 24 2 J → 24 2 J	EC00101083	00.01.15



KORTEK CORPORATION	
MODEL NAME	KT-1703NR (1GT)
APPROVALS	PCB NAME
DRAWN	1. MAIN
DESIGNED	2. SOCKET
CHECKED	SUB
APPROVED	DATE
DWG. NO	KT-1703NR- -DC
REV. NO	1