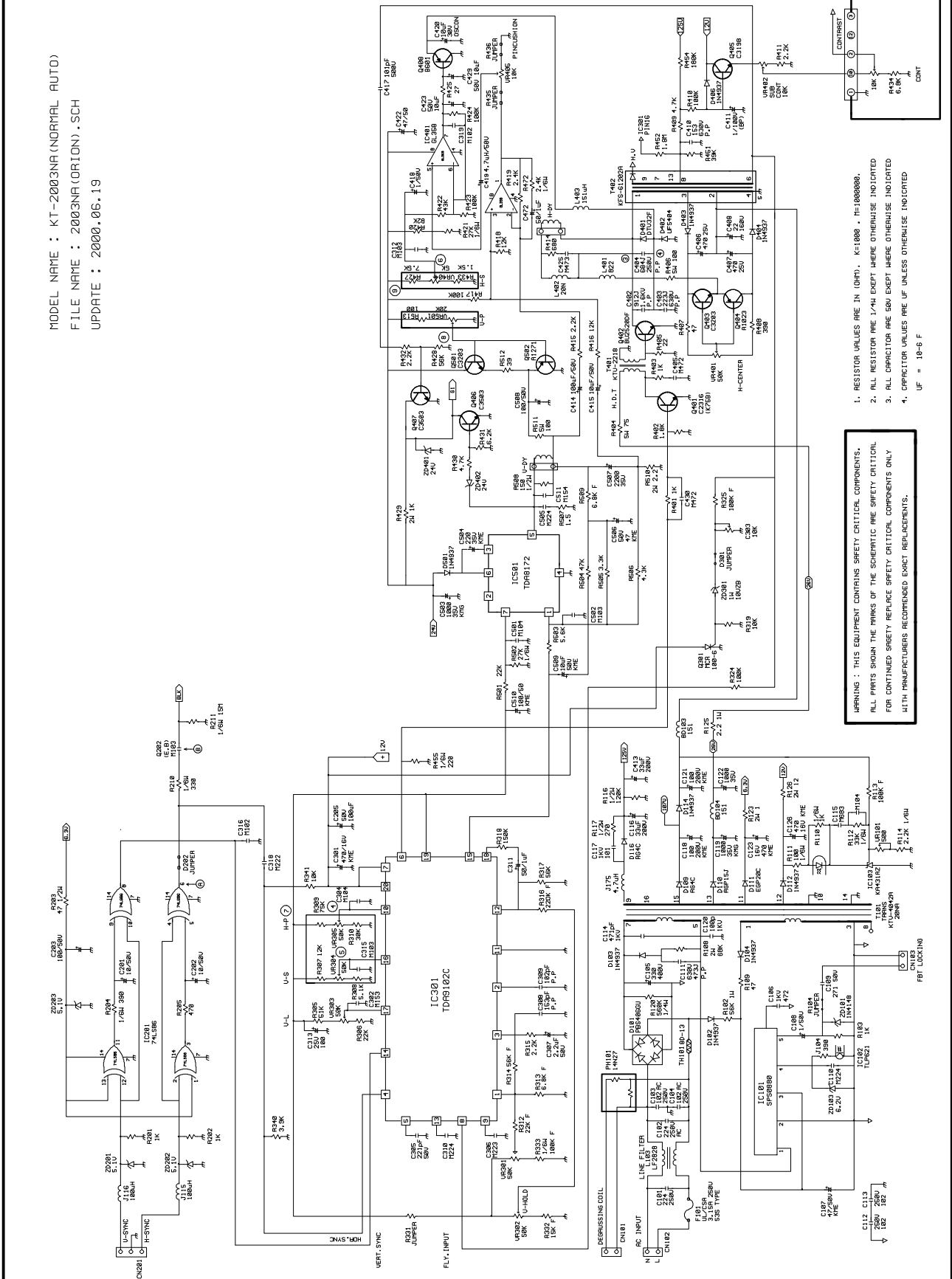


MODEL NAME : KT-2003NA (NORMAL AUTO)  
 FILE NAME : 2003NA (ORION).SCH  
 UPDATE : 2000.06.19



WARNING : THIS EQUIPMENT CONTAINS SAFETY CRITICAL COMPONENTS.  
 ALL PARTS SHOWN THE MARKS OF THE SCHEMATIC ARE SAFETY CRITICAL.  
 FOR CONTINUED SAFETY REPLACE SAFETY CRITICAL COMPONENTS ONLY.  
 WITH MANUFACTURERS RECOMMENDED DIRECT REPLACEMENTS.

1. RESISTOR VALUES ARE IN OHM, K=1000, M=1000000.
  2. ALL RESISTORS ARE 1/4W EXCEPT WHERE OTHERWISE INDICATED
  3. ALL CAPACITORS ARE 50V EXCEPT WHERE OTHERWISE INDICATED
  4. CAPACITOR VALUES ARE UF UNLESS OTHERWISE INDICATED
- UF = 10<sup>-6</sup> F