

EURO MC7200 Note Acceptor Application Data 24VDC (MDB)

This document is the private unpublished property of Money Controls Inc. and may not be reproduced in part or in total by any means, electronic or otherwise, without the written permission of Money Controls Inc. Money Controls Inc. does not accept liability for any errors or omissions contained within this document. Money Controls Inc. shall not incur any penalties arising out of the adherence to, interpretation of, or reliance on this standard. Money Controls Inc. reserves the right to amend, improve or change the product referred to within this document or the document itself at any time.

Application & Features: The MC7200 was designed for vending and special OEM applications.

Input Voltage: 24VDC
Interface: MDB.
Acceptance: EURO Currency €5, €10, €20 with 4-way acceptance
Mounting: Up stacking and Down stacking

Installation:

1. Remove power from host machine.
2. Set Note Acceptor dip switches, if required. (see Figure 2)
3. Install the MC7200 into the host machine via the mounting studs and hardware.
4. Install / Connect the proper interface harness to the host machine.
5. Apply power to the machine, verify that the Green Flashing Arrow on the front of the note acceptor are ON and blinking. This condition indicates that the MC7200 is ready to accept notes.
 - If the Lights are off, check connections and make sure power is applied.
 - Also check the rear diagnostic LED, the status codes are listed on the cashbox.
6. Check Operation, once the Green Arrows are flashing insert a Euro €5, €10 or €20 to verify that note will accept and credit properly in the host machine.

NOTE: The Metal mounting plate must be connected to earth ground.

Maintenance:

Recommended Cleaning Material:

Isopropyl Alcohol is readily available and safe for the acceptor, personnel and the environment when used as instructed in this manual. If used improperly, it can harden and destroy the belts and other similar components.

A mild solution of detergent can also be used for cleaning the belts, bill path and sensor lenses, as well as for general cleaning of the acceptor. Beverages or other water-soluble liquids which have been spilled on or into the acceptor can usually be removed with warm soapy water. External surfaces can be cleaned with a damp cloth.

Belt Cleaning Cards:

Use a cleaning card for field cleaning the MC7200 belts. A cleaning card is a strip of textured absorbent paper, slightly larger than a US bill. The paper is saturated with isopropyl alcohol. Cleaning cards are available from several industrial sources. If you need help locating cleaning cards, contact Money Controls or Coin Acceptors.

Note: The MC7200 must be enabled, ready to take a note in order to use a cleaning card.

Cleaning Card Frequency:

Ideally, a cleaning card should be run through the acceptor approximately once a month. Adjust the cleaning frequency as local conditions dictate. The cleaning card can be used without opening the note acceptor or host machine. However, a visual inspection of the acceptor’s note path is recommended as part of on site service and cleaning.

Cleaning the optical sensor lenses and gray scales:

Warning: Remove power to the MC7200 before cleaning the note path.

Remove the cash box and bottom sensor housing from the acceptor. To clean the optical sensor lenses and gray scales use a “Lint Free” cloth with a mild detergent or isopropyl alcohol. Repeat the cleaning process as needed until the sensor lenses are free of contaminants.

Remember to clean the sensor lenses on both sensor plates.

Dip Switch Configuration:

DEFAULT SETTING (ON)

	<u>ON</u>	<u>OFF</u>
Switch 1	€ enabled	€ disabled
Switch 2	€10 enabled	€10 disabled
Switch 3	€20 enabled	€20 disabled
Switch 4		RESERVED
Switch 5		RESERVED
Switch 6		RESERVED
Switch 7		RESERVED
Switch 8		RESERVED

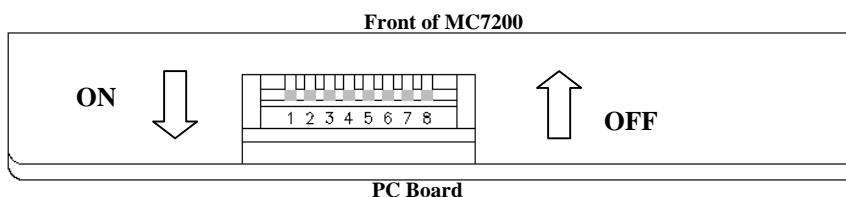


Figure 2 Dip Switch Locations and Position

Interface Connectors:

16 – pin Interface Connector Pulsed and MDB

Mating Connector Housing:	AMP# 1-102387-3	Money Controls Inc.# N/A
Contacts	AMP# 87667-3	Money Controls Inc.# 35X245

8 – pin Download and Diagnostics

Mating Polarized Connector	AMP# 87631-3 or 2-87977-9	Money Controls Inc.# 35x816-8
Receptacles Contacts	AMP# 85969-9 or 86016-3	Money Controls Inc.# 35x245

Warranty

New Money Controls MC7200 Note Acceptors are warranted to be free from defects in material or workmanship under normal use and service for a period of 24 months from date of manufacture. The first four digits of the serial number indicate the date of manufacture:

Digits 1 & 2	(01-52)	Week 01 through Week 52
Digits 3 & 4	(00-99)	Last two digits of the year 00 (2000) through 99 (2099)

Input Power Requirements (NAMA MDB Specification)

24VDC rms (Rectified Only) One supply voltage is required: @ 1Amp
or 34VDC unregulated (rectified and filtered)

Rear Diagnostic LED:

Diagnostics	
# of LED Flashes	LED Status
Normal Pulse Rate 1 pulse per second	Ready
Fast Pulse Rate 3 pulses per second	Check Stacker / Cashbox
Not Lit	Check Power
Steady ON	Replace Acceptor
2 Flashes	Note Inhibited
3 Flashes	Disabled by Host
4 Flashes	Clear Note Path
5 Flashes	Clean Note Path

Contact Information Money Controls:

Money Controls Ltd
 United Kingdom

T+ 44 (0) 161 678 0111
 email: sales.uk@moneycontrols.com
 Web Site: www.moneycontrols.com

Money Controls GmbH
 Hamburg Germany

T+ 49 40399 2630
 email: sales.de@moneycontrols.com

Money Controls SA
 Barcelona Spain

T+ 34 933 002 496
 email: sales.es@moneycontrols.com

Contact Information Coin Acceptors (Coinco):

Coin Acceptors Ltd. T+ 44 1342 315724
 United Kingdom

Coin Acceptors GmbH T+ 49 2154 205000
 Germany

Coin Acceptors Sarl T+ 33.1.56.48.05.05

Or contact your local Coin Acceptors or Money Controls Distributor or Service Center.

MDB Harness Part # WMH/549

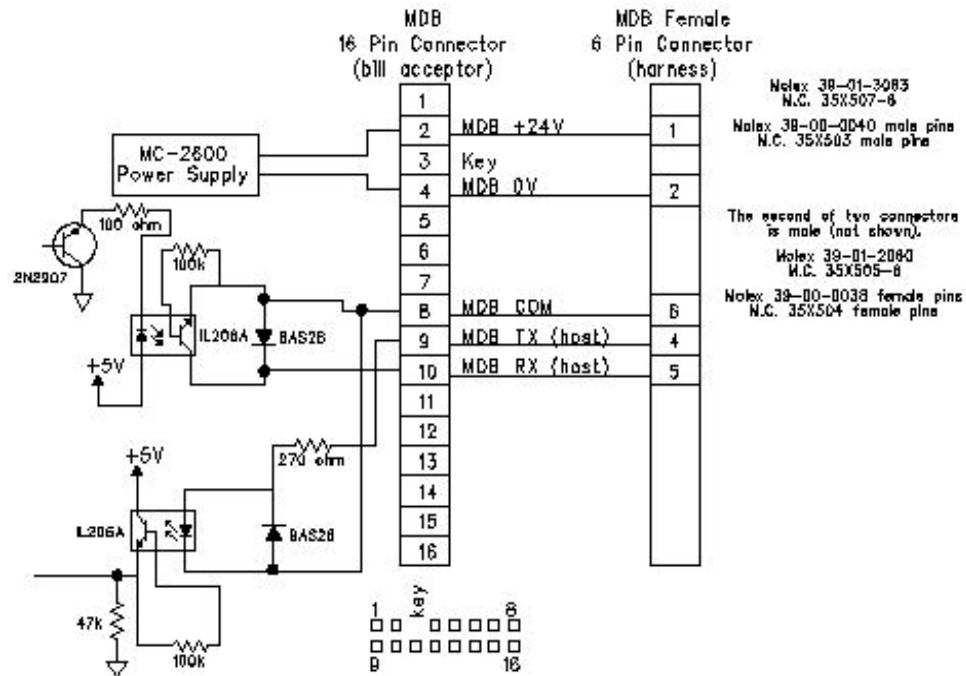


Figure 5 MDB Interface Connections

NOTE: The Metal mounting plate must be connected to earth ground.

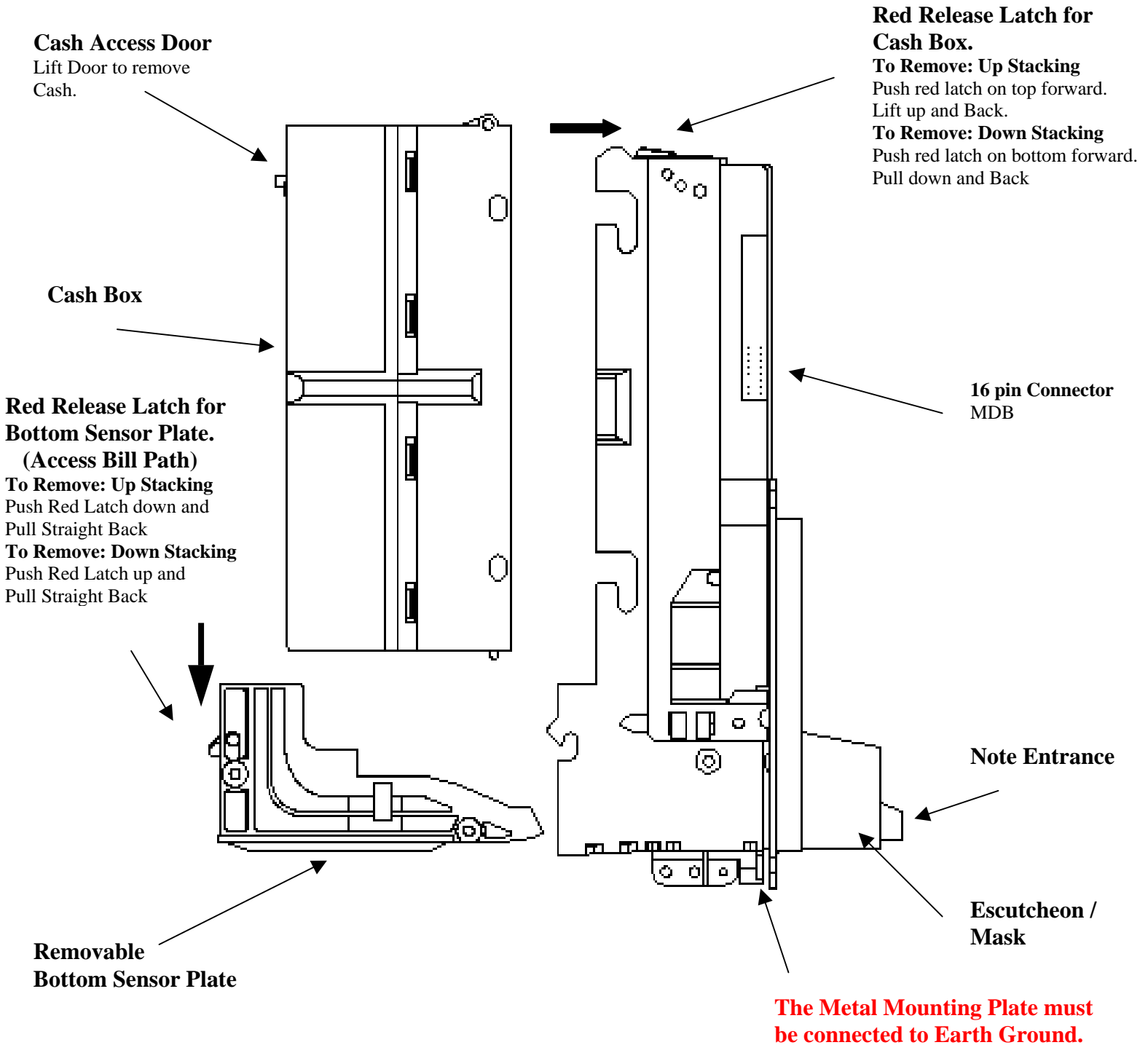


Figure 7 MC7200 Descriptions
(MC7200 in Up Stacking Position)