



MC2600 Note Acceptor Application Data

This document is the private unpublished property of Money Controls Inc. and may not be reproduced in part or in total by any means, electronic or otherwise, without the written permission of Money Controls Inc. Money Controls Inc. does not accept liability for any errors or omissions contained within this document. Money Controls Inc. shall not incur any penalties arising out of the adherence to, interpretation of, or reliance on this standard. Money Controls Inc. reserves the right to amend, improve or change the product referred to within this document or the document itself at any time.

Application & Features: The MC2600 was designed for amusement, music and special OEM applications.
Input Voltage: 120VAC
Interface: Pulsed, Vend Serial and RS232
Acceptance: \$1, \$5, \$10, \$20 with 4-way acceptance
Mounting: Up stacking or Down stacking

Part Number: The MC2600 part numbers are structured to define the major components as shown in Figure 1.

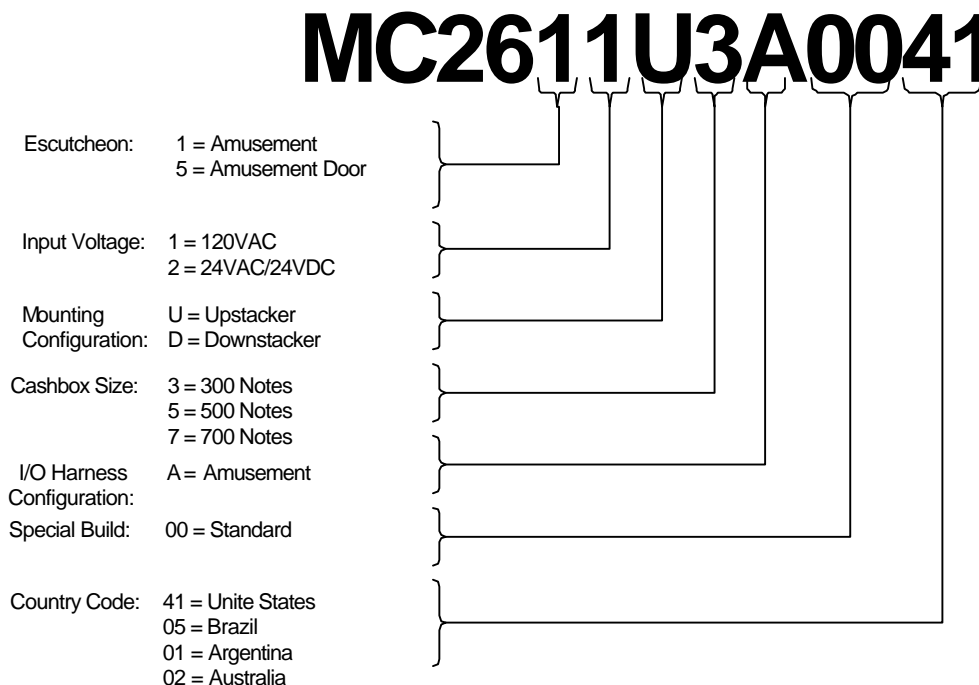


Figure 1

Confidential

Not to be disclosed without prior written permission from Money Controls



Dip Switch Configuration:

DEFAULT SETTING (ON)

	<u>ON</u>	<u>OFF</u>
Switch 1	\$1 enabled	\$1 disabled
Switch 2	\$5 enabled	\$5 disabled
Switch 3	\$10 enabled	\$10 disabled
Switch 4	\$20 enabled	\$20 enabled
Switch 5	4 pulse per \$	1 pulse per \$
Switch 6	Always Enabled	Host Enabled
Switch 7	Short Pulse (50ms ON 50ms OFF)	Long Pulse (60ms ON 300ms OFF)
Switch 8	Pulsed Protocol	Vend Serial Protocol

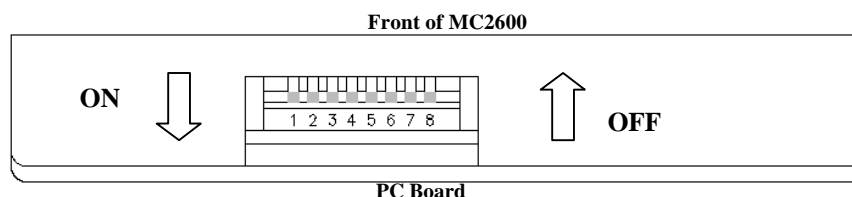


Figure 2 Dip Switch Locations and Position

Interface Connectors:

18 – pin Interface Connector Pulsed, Vend Serial and RS232

Mating Connector Housing With Contacts:	AMP# 102398-7	Money Controls Inc.# 35x542
Polarized Front Cover	AMP# 102540-2	Money Controls Inc.# 35x544
Back Cover	AMP# 102536-2	Money Controls Inc.# 35x543

8 – pin Download and Diagnostics

Mating Polarized Connector	AMP# 87631-3 or 2-87977-9	Money Controls Inc.# 35x816-8
Receptacles Contacts	AMP# 85969-9 or 86016-3	Money Controls Inc.# 35x245

6 – pin Input Power / Pulsed Vend Relay Output

Mating Polarized Connector	AMP# 87631-1 or 2-87977-8	Money Controls Inc.# 35x816-6
Receptacles Contacts	AMP# 85969-9 or 86016-3	Money Controls Inc.# 35x245

9 – pin Input Power / Pulsed Vend Relay Output Amusement Harness (Amusement Harness Part# 02x7205)

Mating Connector Housing:	AMP# 172161-1	Money Controls Inc.# 35x412-9
Mating Male Pin:	AMP# 170364-1	Money Controls Inc.# 35x408



Money Controls

One Company One Solution

Warranty

New Money Controls MC2600 Note Acceptors are warranted to be free from defects in material or workmanship under normal use and service for a period of 24 months from date of manufacture. The first four digits of the serial number indicate the date of manufacture:

Digits 1 & 2	(01-12)	Month 01 (January) through 12 (December)
Digits 3 & 4	(00-99)	Last two digits of the year 00 (2000) through 99 (2099)

Input Power Requirements

120VAC	One supply voltage is required:	90 – 135 VAC @ 1.0A
24VAC	One supply voltage is required:	20 – 32 VAC @ 1.5A
24VDC	One supply voltage is required:	24 – 45 VDC @ 1.5A

Rear Diagnostic LED

Diagnostics	
# of LED Flashes	LED Status
Normal Pulse Rate 1 pulse per second	Ready
Fast Pulse Rate 3 pulses per second	Check Stacker / Cashbox
Not Lit	Check Power
Steady ON	Replace Acceptor
2 Flashes	Bill Inhibited
3 Flashes	Disabled by Host
4 Flashes	Clear Bill Path
5 Flashes	Clean Bill Path

Technical Support

Money Controls
34099 Melinz Parkway
Eastlake, OH 44095

Phone: 800.321.0765
Phone: 440.946.3000
Fax: 440.946.9829
Email: mc2600@moneycontrolsusa.com

Additional Support Data:

Pulsed Protocol:	47x267
Vend Serial Protocol:	47x268
RS232 Protocol:	44x449
Maintenance and Operation Manual:	47x269
Exploded View Parts Diagram & Parts List:	47x270
Repair / Diagnostics Manual:	44x495

Money Controls Inc. Ordering Number

Confidential

Not to be disclosed without prior written permission from Money Controls



Money Controls

One Company One Solution

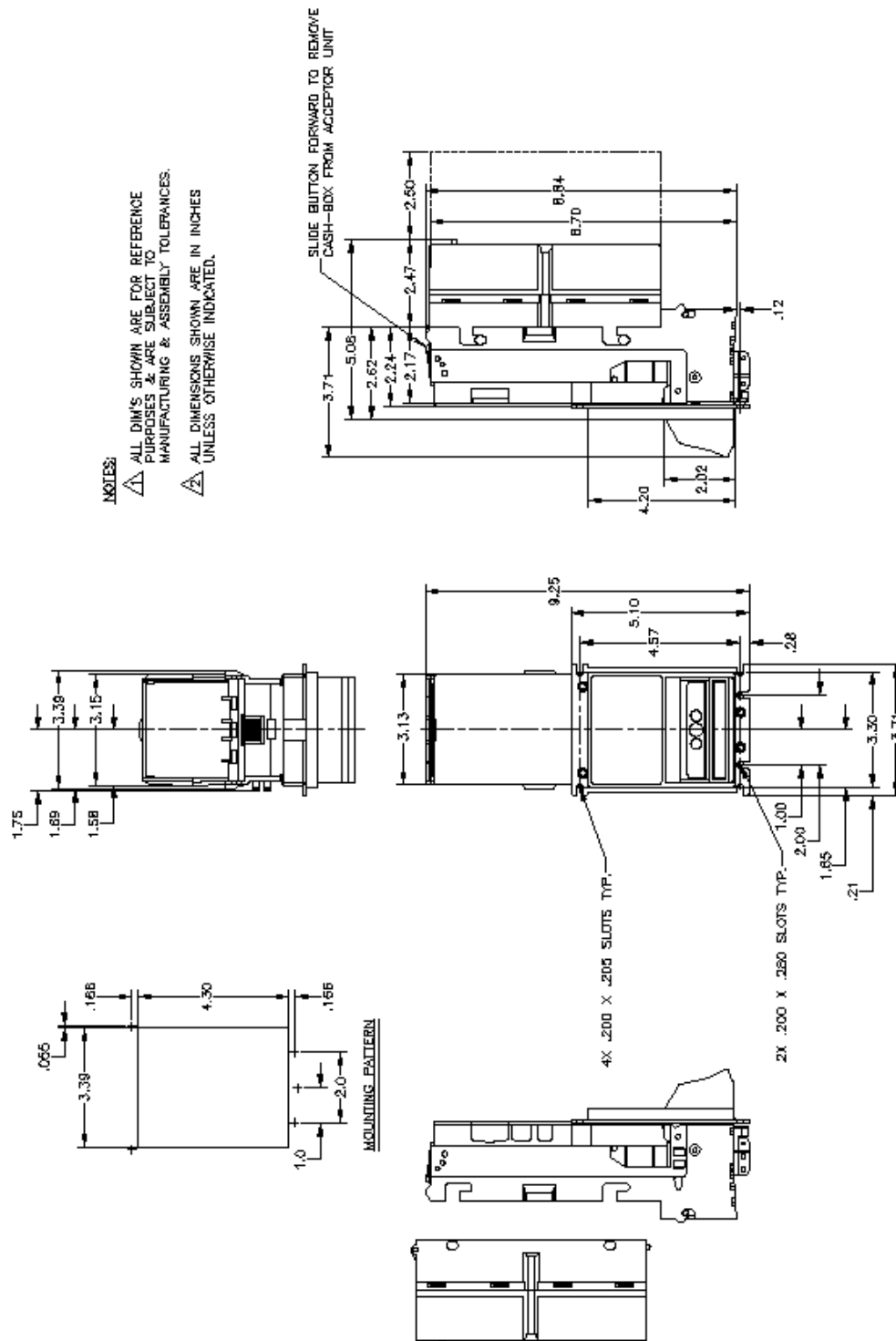


Figure 3 MC2600 Dimensional Drawing (Up Stacking Position)

Confidential

Not to be disclosed without prior written permission from Money Controls



Money Controls

One Company One Solution

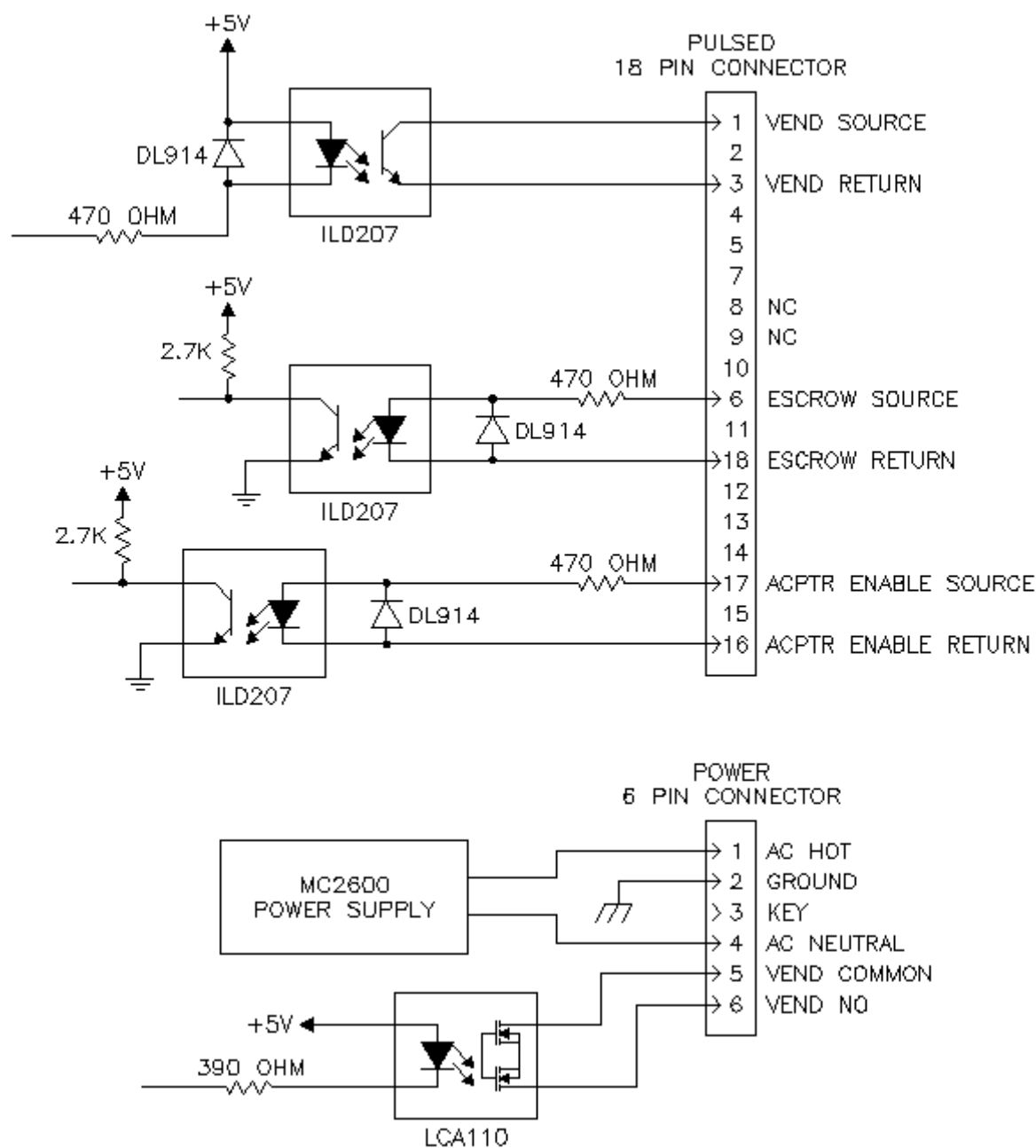


Figure 4 Pulsed Interface Connections

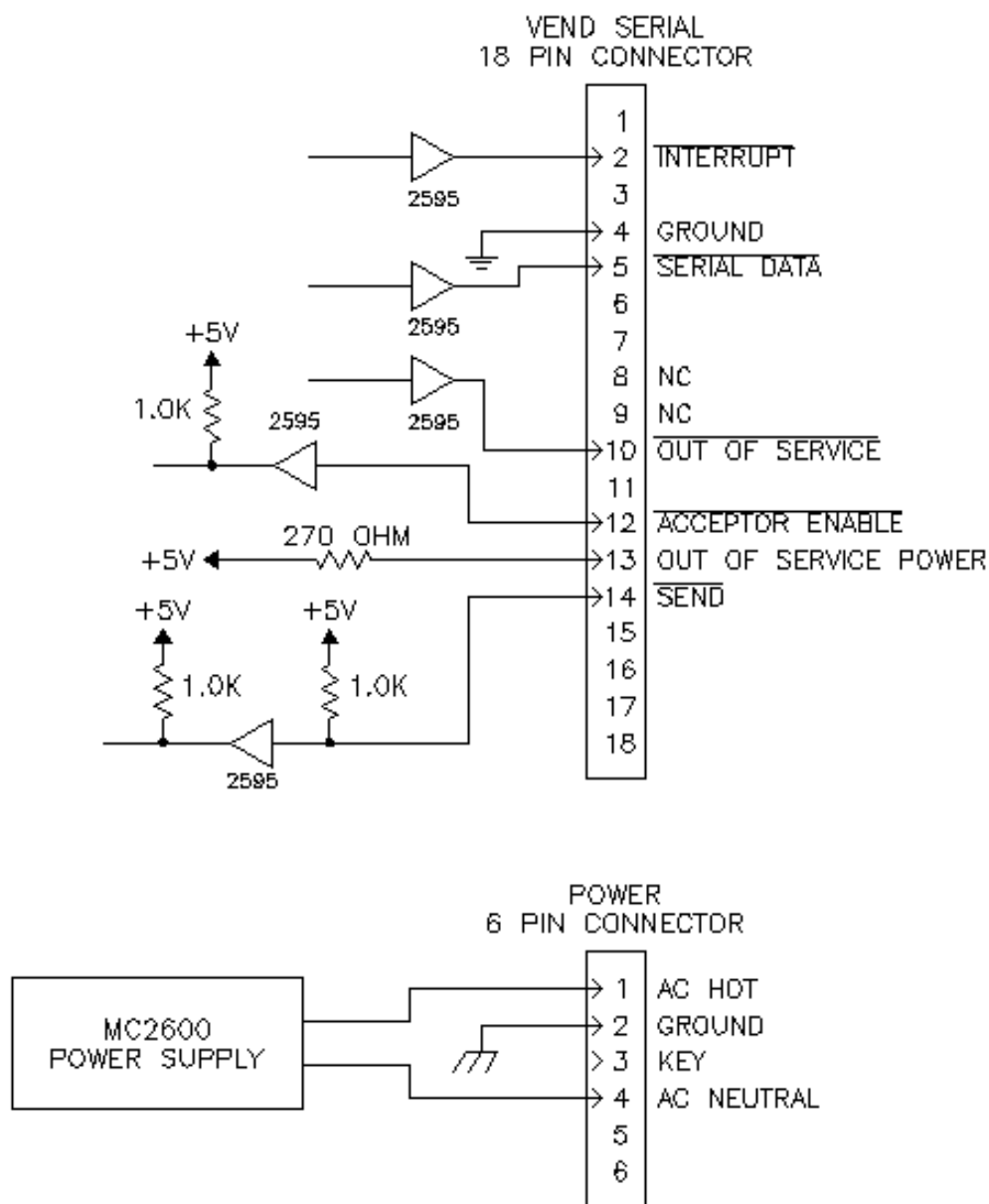


Figure 5 Vend Serial Interface Connections

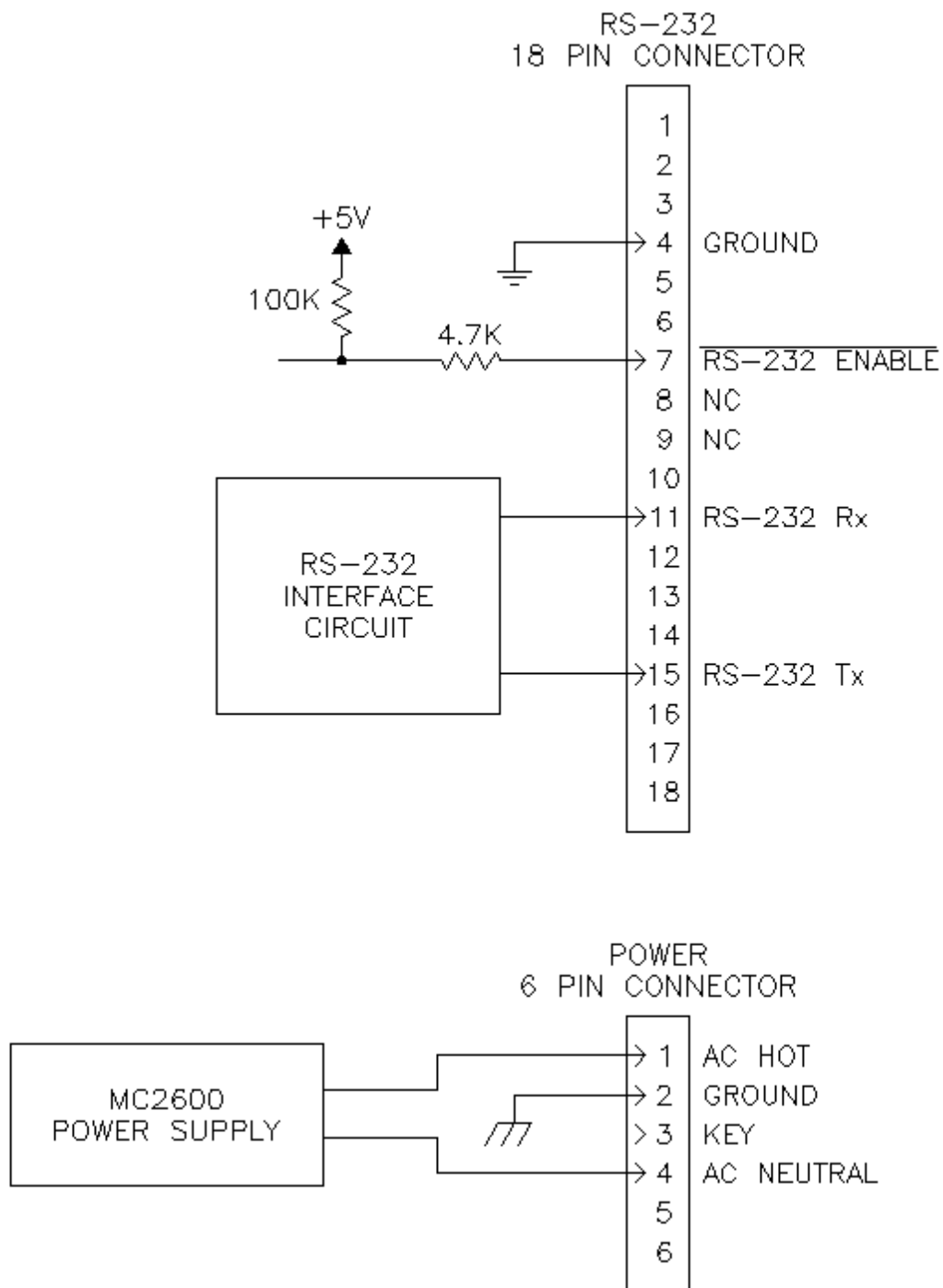


Figure 6 RS232 Interface Connections

Confidential

Not to be disclosed without prior written permission from Money Controls



Money Controls

One Company One Solution

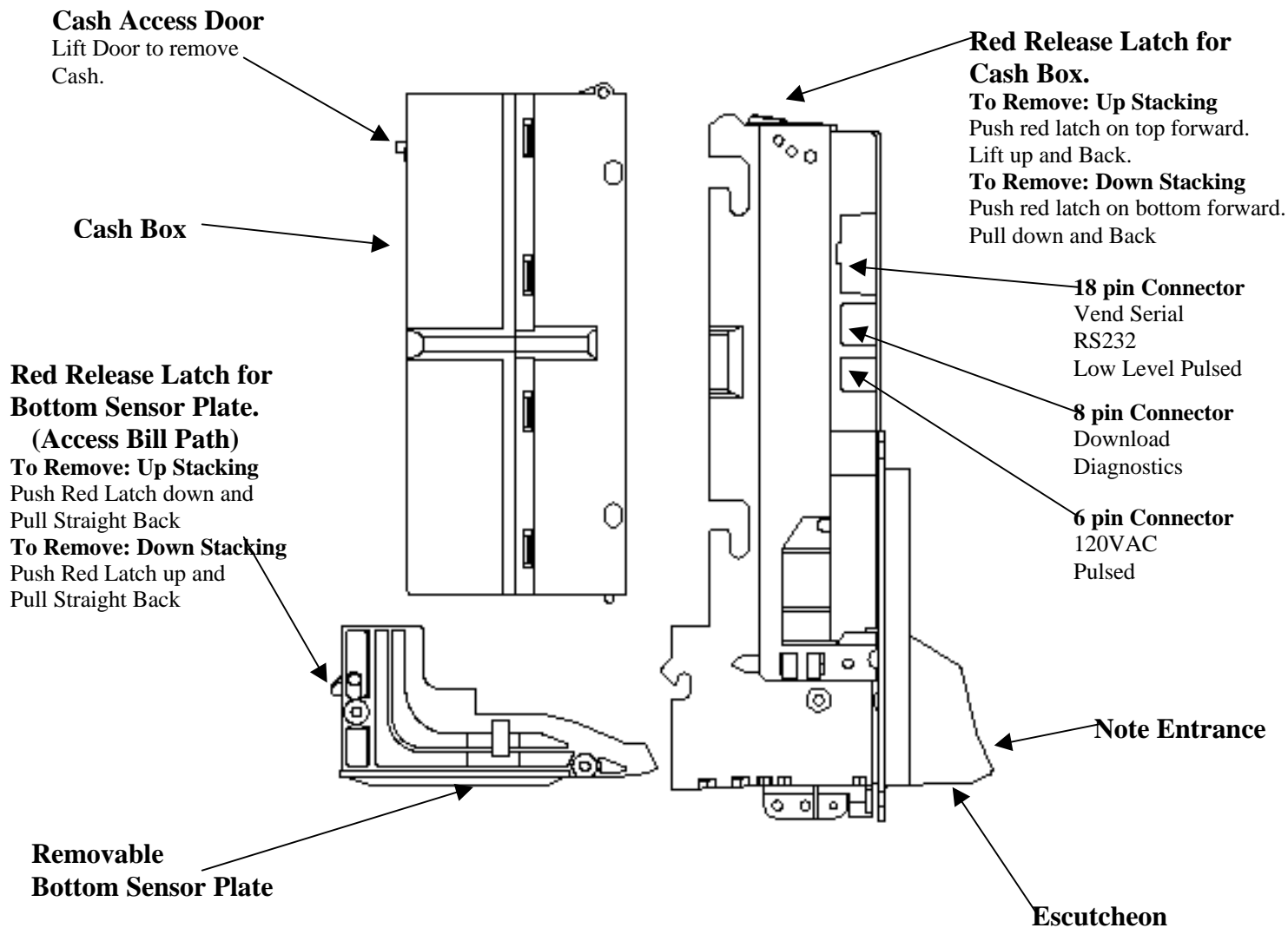


Figure 7 MC2600 Description
(MC2600 in Up Stacking Position)

Confidential

Not to be disclosed without prior written permission from Money Controls
Page 8 of 8