

SR5 BDTA Technical Manual



This document is the private unpublished property of Money Controls Ltd and may not be reproduced in part or in total by any means, electronic or otherwise, without the written permission of Money Controls Ltd. Money Controls Ltd does not accept liability for any errors or omissions contained within this document. Money Controls Ltd shall not incur any penalties arising out of the adherence to, interpretation of, or reliance on, this standard. Money Controls Ltd will provide full support for this product when used as described within this document. Use in applications not covered or outside the scope of this document may not be supported. Money Controls Ltd. reserves the right to amend, improve or change the product referred to within this document or the document itself at any time.

Contents

1.	Diary of changes	4
2.	Introduction	5
3.	Operation	5
4.	Electrical Connections	6
5.	Electrical Interface Requirements	7
6.	Parallel Interface	8
7.	Inhibit 1 to 6 Inputs (Parallel Interface)	9
8.	Coin Return Output (Parallel Interface)	10
9.	Inhibit All Input (Parallel Interface)	11
10.	Coin Accept Outputs A1 to A6	12
11.	Alarm / Jam Connector	13
12.	Power-up Diagnostics	14
13.	Credit Code Mode	15
13.1	6 Coin Mode.....	15
13.2	12 Coin Mode.....	16
14.	Serial Interface	17
15.	Rotary Switch Options	18
16.	Servicing	19
16.1	Removal and Refitting.....	19
16.2	Cleaning.....	19
16.3	Accept Gate.....	19
16.4	Rear Cover.....	19
17.	Fault Finding	20
18.	Mechanical Specification	21
18.1	Position.....	21
18.2	Coin/Token Sizes.....	21
18.3	Specified EMC Performance.....	22
18.31	Emissions.....	22
18.32	Immunity.....	22
18.33	Shock / Vibration Immunity.....	22
18.4	Environmental specification.....	22
18.5	Material Flammability Rating.....	22
18.6	SR5 BDTA dimensions.....	23
19.	SR5 BDTA Label Details	24

CONFIDENTIAL

Not to be disclosed without prior written permission from Money Controls

Page 2 of 26

Tables

Table 1: SR5 BDTA Rear Cover Details.....	6
Table 2: Power Supply	7
Table 3: Current Consumption	7
Table 4: Parallel Interface.....	8
Table 5: Inhibit Input DC characteristics.....	9
Table 6: Coin Return Output DC characteristics.....	10
Table 7: Inhibit All Input DC characteristics.....	11
Table 8: Accept output DC characteristics.....	12
Table 9: Alarm / Jam description table	13
Table 10: Alarm / Jam Output DC Characteristics.....	14
Table 11: Power-up diagnostics description table	14
Table 12: 6 Coin Mode Accept Outputs.....	15
Table 13: 12 Coin Mode Accept Outputs.....	16
Table 14: Environmental Ranges	22

Figures

Figure 1: SR5 BDTA Connector Side	6
Figure 2: Parallel Interface Pin Header.....	8
Figure 3: Inhibits 1 to 6 Input.....	9
Figure 4: Coin Return Output	10
Figure 5: Inhibit All Input.....	11
Figure 6: Accept Outputs.....	12
Figure 7: Alarm / Jam Connector.....	13
Figure 8: Alarm / Jam Output	13
Figure 9: ccTalk [®] pin header	17
Figure 10: BDTA MechTool [™] Functions	18
Figure 11: SR5 Accepted Coin Dimensions Graph.....	21
Figure 12: SR5 BDTA Dimensions	23
Figure 13: SR5 BDTA Label Details	24
Figure 14: SR5 BDTA Exploded View	25

1. Diary of changes

Issue 1.0	6 th April 2001
Issue 1.1	12 th March 2002
➤ Applied TMWP v3.0.	
➤ Added reference to TSP014 "SR5 BDTA MechTool TM Manual.	
Issue 1.2	1 st April 2002
➤ Last page disclaimer ammended	
➤ Drawings changed to .jpg	
Issue 1.3.....	6 th Sept 2002
➤ Modification to disclaimer.	

2. Introduction

The SR5 series of coin acceptors has been designed to be compatible with the standard 5” BDTA format currently used.

Through the development of Series Resonance technology, the SR5 incorporates the highest levels of discrimination and functionality.

The SR5 BDTA is a product mechanically compatible in respect of coin inlet and outlets with the C450 series.

As with all new Money Controls products other enhancements have been made to the SR5 series as well as the new sensing technology.

These include:-

- **ccTalk**[®] serial communication. (see the current **ccTalk**[®] generic specification”)
- Extended **Teach and Run**[™] options. (see TSP014 “SR5 BDTA **MechTool**[™] Manual”)
- Coinless programming.
- Adjustable coin security. (see TSP014 “SR5 BDTA **MechTool**[™] Manual”)
- **MechTool**[™] programmability. (see TSP014 “SR5 BDTA **MechTool**[™] Manual”)
- Improved sorter coin detection.

3. Operation

Coin validation parameters are factory programmed for optimum acceptance of up to 12 different coins or tokens and therefore no field adjustment is necessary beyond **Teach and Run**[™] (see TSP014 “SR5 BDTA **MechTool**[™] Manual”).

However, the SR5 can now be programmed on site without the use of coins and for total flexibility, if a new coin is required, the Teach and Run[™] function can be used to program all 12 coins

Coins are inserted into a top entry acceptor and roll past a set of Series Resonant sensors. If the characteristics measured from the inserted coin match the stored window readings in all respects, then the coin is recognised as being true. The accept gate will then open and the coin will pass through the accept sensor. Once this happens the SR5 will send a predefined credit signal to the host machine which will correspond to the coin accepted.

If, on comparing the inserted coins characteristics, to all the pre-programmed parameters, the coin readings do not match, this coin will be deemed invalid, the accept gate will remain closed and the coin will travel through to the reject via the reject path.

4. Electrical Connections

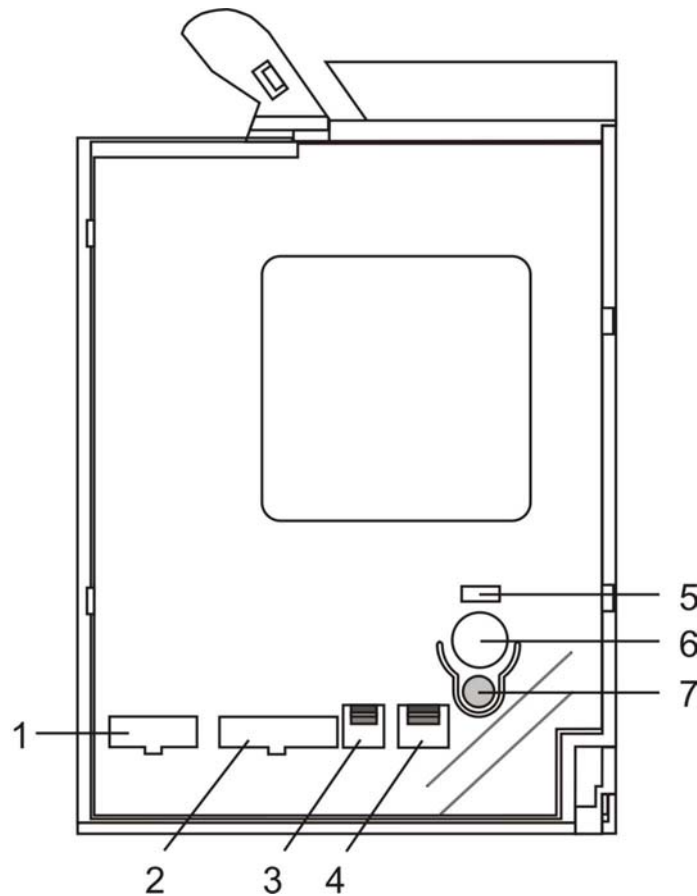


Figure 1: SR5 BDTA Connector Side

Table 1: SR5 BDTA Rear Cover Details.

1	Serial (ccTalk [®]) Interface	See the current ccTalk [®] generic specification for more details.
2	Parallel Interface	See section 6 .
3	Sorter Override Connector	NOT USED.
4	Alarm / Jam Connector	See section 11 .
5	LED Indicator	
6	Rotary Switch	See section 15 .
7	Program Button	

CONFIDENTIAL

Not to be disclosed without prior written permission from Money Controls
Page 6 of 26

5. Electrical Interface Requirements

Table 2: Power Supply

Voltage:	12V – 24V DC +/- 10%
Absolute:	Min 10V Max 27V
Min / Max rise time:	5ms / 500ms (From 0V to within supply range)
Min / Max fall time:	5ms / 500ms (From within supply range to 0V)
Acceptor Power up time:	200 ms from the application of a valid voltage supply. A valid supply must be between the limits specified above.
Ripple voltage [< 120Hz]:	< 1 Volt
Ripple voltage [> 120Hz]:	< 100mV
Ripple voltage [> 1KHz]:	< 20mV

Table 3: Current Consumption

Typically:	70mA
Maximum:	1.0A

CONFIDENTIAL

Not to be disclosed without prior written permission from Money Controls
Page 7 of 26

6. Parallel Interface

BDTA Industry standard interface. Connector type: 16 pin DIL

Table 4: Parallel Interface

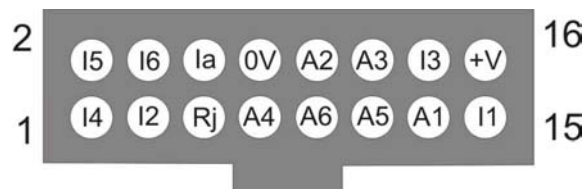
PIN	FUNCTION	ACTIVE	Input (I) / Output(O) / Power(P)
1	Inhibit 4	Low to Accept / High to Reject ¹	I
2	Inhibit 5	Low to Accept / High to Reject ¹	I
3	Inhibit 2	Low to Accept / High to Reject ¹	I
4	Inhibit 6	Low to Accept / High to Reject ¹	I
5	Coin Return	Low (O/C NPN transistor) ²	O
6	Inhibit All Coins	High to Accept / Low to Reject ³	I
7	Accept 4	Low (O/C NPN transistor) ⁴	O
8	0V		P
9	Accept 6	Low (O/C NPN transistor) ⁴	O
10	Accept 2	Low (O/C NPN transistor) ⁴	O
11	Accept 5	Low (O/C NPN transistor) ⁴	O
12	Accept 3	Low (O/C NPN transistor) ⁴	O
13	Accept 1	Low (O/C NPN transistor) ⁴	O
14	Inhibit 3	Low to Accept / High to Reject ¹	I
15	Inhibit 1	Low to Accept / High to Reject ¹	I
16	+V Supply		P

¹ See section 7 for further details.

² See section 8 for further details.

³ See section 9 for further details.

⁴ See section 10 for further details.



Looking at the pin header

Figure 2: Parallel Interface Pin Header

CONFIDENTIAL

Not to be disclosed without prior written permission from Money Controls

Page 8 of 26

7. Inhibit 1 to 6 Inputs (Parallel Interface)

Each Inhibit pin controls two coins:-

Inhibit 1 controls coin 1 and coin 7

(Coin 1 – Bank 1: Coin 1 Bank 2).

Inhibit 2 controls coin 2 and coin 8

(Coin 2 – Bank 1: Coin 2 Bank 2).

and so on up to:-

Inhibit 6 controls coin 6 and coin 12

(Coin 6 – Bank 1: Coin 6 Bank 2).

Providing the corresponding bank of coins are enabled, (see TSP014 “SR5 BDTA **MechTool™** Manual” for further details), a low (<1V), on an inhibit pin will enable the corresponding coin/s to be accepted, while a high (>4V) will cause the corresponding coin/s to be rejected.

Each Inhibit input has an internal 10K pull-down resistor fitted. Therefore if the pin is not connected then coins will accept.

The hardware configuration for the Inhibits is shown below:

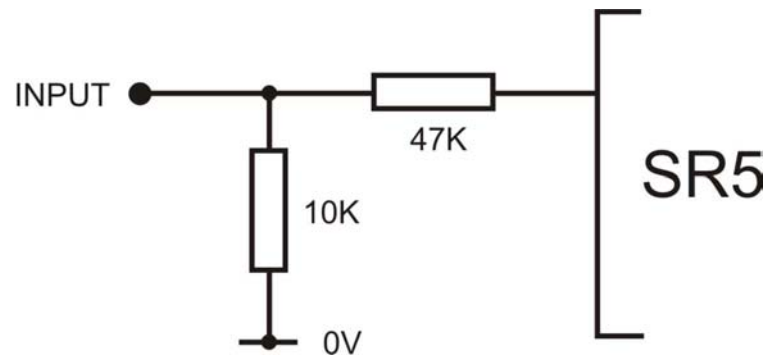


Figure 3: Inhibits 1 to 6 Input

Table 5: Inhibit Input DC characteristics

Characteristic	Value
V in Low (max)	1V DC
V in High (min)	4V DC
V in High (max)	24V DC

8. Coin Return Output (Parallel Interface)

The Coin Return output, when used in conjunction with an escrow or other payout device, can be used to detect that the customer wishes to cancel the transaction and receive his money back.

Once the reject lever is pressed the output will become active (<1V), for the duration the reject lever is pressed.

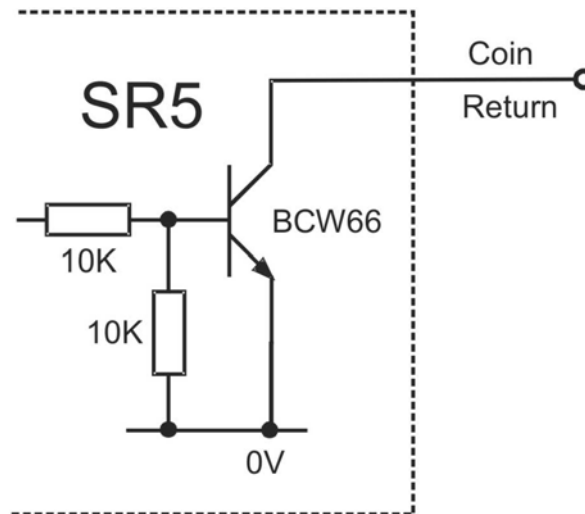


Figure 4: Coin Return Output

Table 6: Coin Return Output DC characteristics

Characteristic	Value
Max V on	<0.8V at I max
Max V off	24V
I max	50mA

9. Inhibit All Input (Parallel Interface)

The Inhibit All input has an internal 10K pull-up resistor fitted. If the pin is not connected then coins will accept. This is assuming the corresponding bank of coins are enabled. (See TSP014 “SR5 BDTA **MechTool**™ Manual” for further details).

The hardware configuration for the Inhibit All input is shown below:

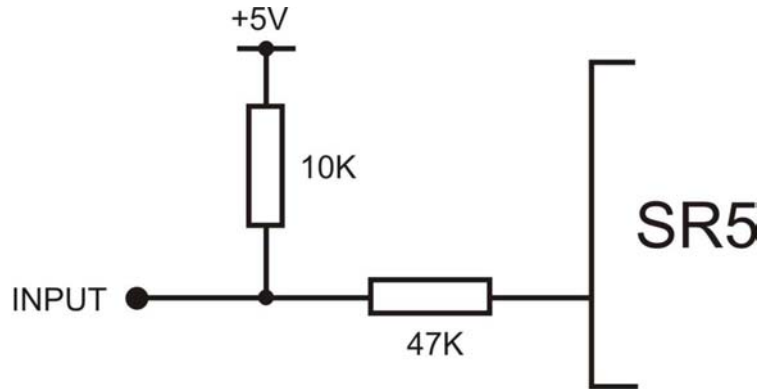


Figure 5: Inhibit All Input

Table 7: Inhibit All Input DC characteristics

Characteristic	Value
V in Low (max)	1V DC
V in High (min)	4V DC
V in High (max)	5V DC

10. Coin Accept Outputs A1 to A6

Each coin accept output consists of an open collector NPN transistor whose emitter is connected to 0V. On acceptance of a true coin the transistor is turned on for 100ms +/- 10%.

The host machine must look for valid credit pulses NOT LESS THAN 50ms. It is not sufficient to merely detect the edges of credit pulses. This 'de-bounce' will prevent credits being registered by the host machine as a result of any noise or false credit pulses being induced on the output lines.

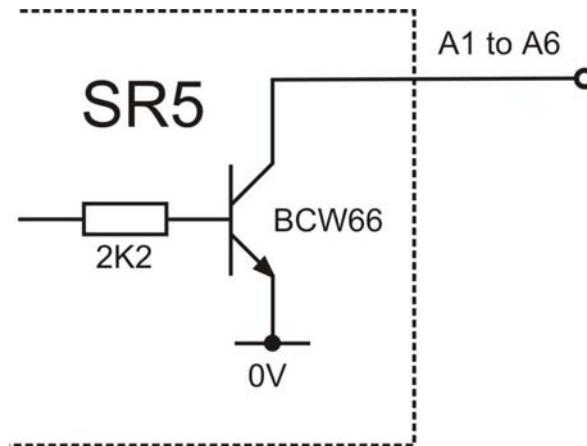


Figure 6: Accept Outputs

Table 8: Accept output DC characteristics

Characteristic	Value
Max power dissipation per output	200mW
Max V on	<0.8V at 20mA
Max V off	24V
I max	200mA

11. Alarm / Jam Connector

Various error / alarm conditions can be detected by the SR5 BDTA and reported to the host machine (see Table 9).

This shows the fault condition, the output pin which is activated and the duration the pin is activated for.

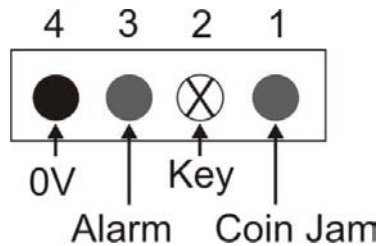


Figure 7: Alarm / Jam Connector

Table 9: Alarm / Jam description table

Always ON ¹	ON when Alarm = ON ²	Output Pin ³	Duration
Validation timeout.		Jam	500ms
Coin too slow.		Jam	500ms
Credit sensor timeout.		Jam	500ms
	Sorter opto blocked.	Jam	500ms
	Sorter opto timeout.	Jam	500ms
	Credit sensor blocked.	Jam	500ms
	Coin travelling backwards.	Alarm	500ms

¹ Always ON:

² ON when Alarm = ON:

³ Output Pin:

These conditions cannot be switched off.

These conditions are only checked and reported if the Alarm ON was set when ordering or switched on via the **MechTool™** feature.

This is the pin which is activated for each of the adjacent conditions.

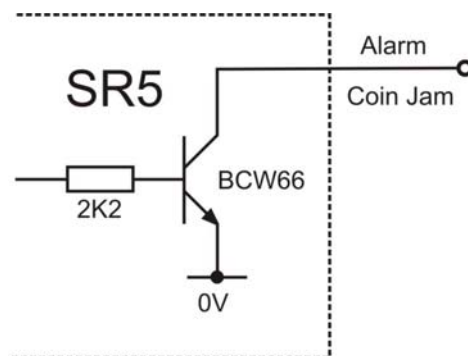


Figure 8: Alarm / Jam Output

CONFIDENTIAL

Not to be disclosed without prior written permission from Money Controls

Page 13 of 26

Table 10: Alarm / Jam Output DC Characteristics

Characteristic	Value
Max power dissipation per output	200mW
Max V on	<0.8V at 20mA
Max V off	24V
I max	200mA

12. Power-up Diagnostics

Various error conditions can be detected by the SR5 BDTA when it is first switched on and this can then be reported to the host machine via the Alarm output pin (see Table 11).

This shows the fault condition, the output pin which is activated and the duration the pin is activated for.

ALL of the conditions below will be active for as long as the fault condition is valid.

Table 11: Power-up diagnostics description table

Always ON ¹	ON when Power-up Diagnostics = ON ²	Output Pin ³	Duration
Eeprom checksum test		Alarm	∞ ⁴
	Validation area check	Alarm	∞
	Credit sensor check	Alarm	∞
	Sorter opto blocked ⁵	Alarm	∞

¹ Always ON:

This condition cannot be switched off.

² ON when Power-up Diagnostics = ON:

These conditions are only checked and reported if the Alarm ON was set when ordering or switched on via the **MechTool™** feature.

³ Output Pin:

This is the pin which is activated for each of the adjacent conditions.

⁴ ∞ :

Indicates the condition will be present until the fault is fixed.

⁵ If a sorter is fitted.

CONFIDENTIAL

Not to be disclosed without prior written permission from Money Controls

Page 14 of 26

13. Credit Code Mode

13.1 6 Coin Mode

The credit code mode can be selected via the Rotary switch (see TSP014 “SR5 BDTA MechTool™ Manual”).

This determines whether the SR5 is in 6 coin mode or 12 coin mode. 6 coin mode uses a single Accept output per coin and is therefore limited to 6 different credit codes, i.e. coins 9 to 14 repeat the same sequence.

Table 12: 6 Coin Mode Accept Outputs

Coin	Accept 1	Accept 2	Accept 3	Accept 4	Accept 5	Accept 6
1,9	1	0	0	0	0	0
2,10	0	1	0	0	0	0
3,11	0	0	1	0	0	0
4,12	0	0	0	1	0	0
5,13	0	0	0	0	1	0
6,14	0	0	0	0	0	1
7,15	NOT USED – NOT USED – NOT USED – NOT USED					
8,16	NOT USED – NOT USED – NOT USED – NOT USED					

6 coin mode credit patterns (1 = Active, 0 = Inactive)

13.2 12 Coin Mode

In 12 coin mode a binary pattern is output on the Accept lines using A1, A2, A3 and A5. A4 is used as a strobe to indicate a valid credit pattern.

Table 13: 12 Coin Mode Accept Outputs

Coin	Accept 5 (MSB)	Accept 4 (Strobe)	Accept 3	Accept 2	Accept 1 (LSB)	Dec Value
1	0	1	0	0	0	8
2	0	1	0	0	1	9
3	0	1	0	1	0	10
4	0	1	0	1	1	11
5	0	1	1	0	0	12
6	0	1	1	0	1	13
7	NOT USED – NOT USED – NOT USED – NOT USED					
8	NOT USED – NOT USED – NOT USED – NOT USED					
9	0	1	1	1	0	14
10	0	1	1	1	1	15
11	1	1	0	0	0	16
12	1	1	0	0	1	17
14	1	1	0	1	0	18
15	1	1	0	1	1	19
16	NOT USED – NOT USED – NOT USED – NOT USED					
17	NOT USED – NOT USED – NOT USED – NOT USED					

12 coin mode credit patterns
(only valid when Accept 4 is Active. 1 = Active, 0 = Inactive)

14. Serial Interface

Note: The serial and parallel interfaces cannot be used together in the machine.

The serial interface is used to program coin data and customer options. It can also be used instead of the parallel interface to communicate with the machine.

Protocol: **ccTalk**[®] BACTA compliant implementation.

For further details on this section please refer to the current **ccTalk**[®] generic standard.

Connector type: 10 Way DIL (connector 1 on [Figure 1: SR5 BDTA Connector Side](#)).

Pin 1	- DATA	
Pin 2	- 0V	[Not used]
Pin 3	- Not used	
Pin 4	- 0V	[Not used]
Pin 5	- /RESET	
Pin 6	- Not used	
Pin 7	- +12 Volts	[Power]
Pin 8	- 0 Volts	[Power]
Pin 9	- /Serial Mode	
Pin 10	- Reserved	

Looking at the pin header

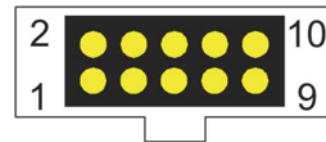


Figure 9: **ccTalk**[®] pin header

Pin 9 is used to signal to the mech. that the serial interface is to be used rather than the parallel interface. For serial mode, pin 9 = Low.

Pin 5 is an optional hardware-reset line to the mech. and other peripherals on the bus.

Note: Pins 2 and 4 are connected to 0 Volts.

15. Rotary Switch Options.

The rotary switch is used to select the required **MechTool™** function.

Below is a quick reference to the available functions.

For further details see TSP014 “SR5 BDTA **MechTool™** Manual”.

Note: MechTool™ ON, must be specified when ordering, otherwise these features will NOT be available.

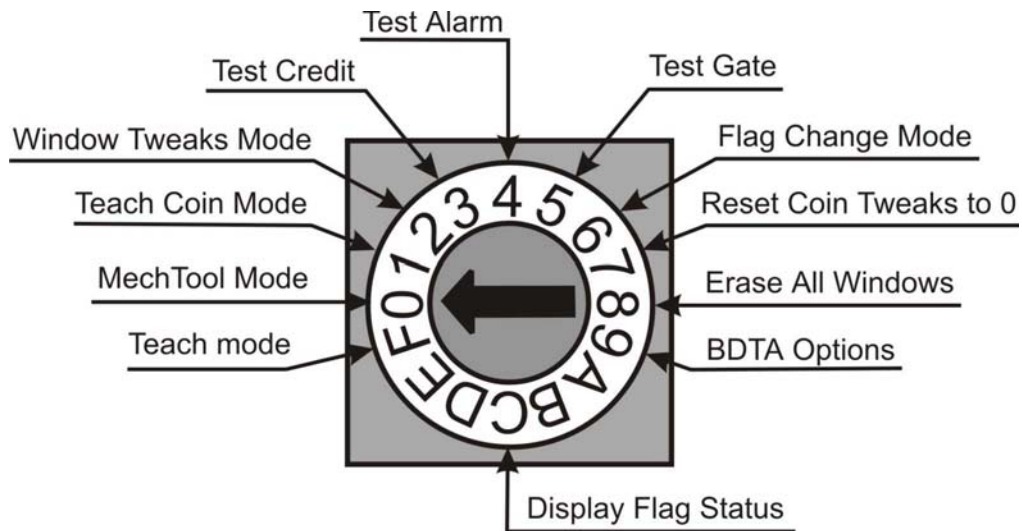


Figure 10: BDTA **MechTool™** Functions

16. Servicing

Please refer to [Figure 14](#).

16.1 Removal and Refitting

Release the locking catches, fitted to the back channel, and carefully lift out the SR5 out. Once the machines harness becomes accessible, remove all the interface connectors.

Refitting the acceptor is the reverse of removal.

16.2 Cleaning

The coin rundown area should be cleaned regularly to ensure accurate validation of coins and tokens. Only a damp cloth should be used.

Under NO circumstances should any solvent, abrasive or foam type cleaner be used.

Access to the coin rundown is gained by opening the reject gate.

16.3 Accept Gate

To detach the accept gate, first carefully slide the gate spring (12) towards the rear of the SR5 and remove. Pull the gate forward and downward to remove.

Re-fitting is the reverse of removal.

Take extreme care when re-fitting the accept gate spring.

16.4 Rear Cover

No User serviceable parts.

Access to all switches is achievable without removing the cover. Therefore the cover should only be removed by approved service centres.

17. Fault Finding

The following information is presented for customers' guidance in rectifying a fault but does not cover all possible causes.

All acceptors with electronic faults should be returned to Money Controls Ltd. or to an approved service centre for repair.

Symptom	Investigate	Possible Cause
Acceptor does not work (all coins reject).	Connector.	Poor contact. Loose wire.
	Power supply.	Not switched on. Incorrect voltage. Inadequate current. Rise time too slow.
	Inhibit inputs.	Acceptor inhibited.
	Accept gate.	Gate not free or dislocated.
	Accept channel.	Obstructed.
	Reject gate.	Not fully closed.
	LED is RED.	EEPROM checksum error ⁶ . SR Sensor faulty ^{7,8} . Credit sensor faulty ^{7,8} . Credit sensor blocked ⁷ .
LED is YELLOW.	Remove the power and re-apply. The LED should be green.	
Poor acceptance of true coins.	Power supply	Voltage less than 10V. (NB voltage drops when solenoid/s are activated).
	Accept gate.	Gate not free or dislocated.
	Connector.	Loose.
	Coin rundown.	Dirty.
Coins stick or jam in acceptor.	Bank select switches.	Both switches are DOWN and both banks are programmed with the same coins.
	Rundown.	Dirty or mechanical damage.
	Accept channel.	
	Accept gate.	
Reject gate.		
One of the true coin types always rejects.	Interface.	Damaged interface cable.
	Inhibit status.	Coin inhibited.
	Inhibit switch.	Switched to the ON position.
	Label.	Coin not programmed.
No accept signal.	Connector.	Loose or broken wire.
	Accept channel.	Dirty or obstructed. (acceptor time-out)

⁶ This condition requires the SR5 to be reprogrammed.

⁷ These faults will only be seen if 'Power-up Diagnostics' is ON.

⁸ These faults require to SR5 to be returned for repair.

18. Mechanical Specification

18.1 Position

The SR5 should be mounted within ± 2 degrees of the vertical in any plane. It is intended for use in stationary environments.

18.2 Coin/Token Sizes

The accepted range of coin sizes are shown below:

This Graph is only intended as a guide. If a coin is required that is close to the limits shown, please check with Money Controls Technical Services department first.

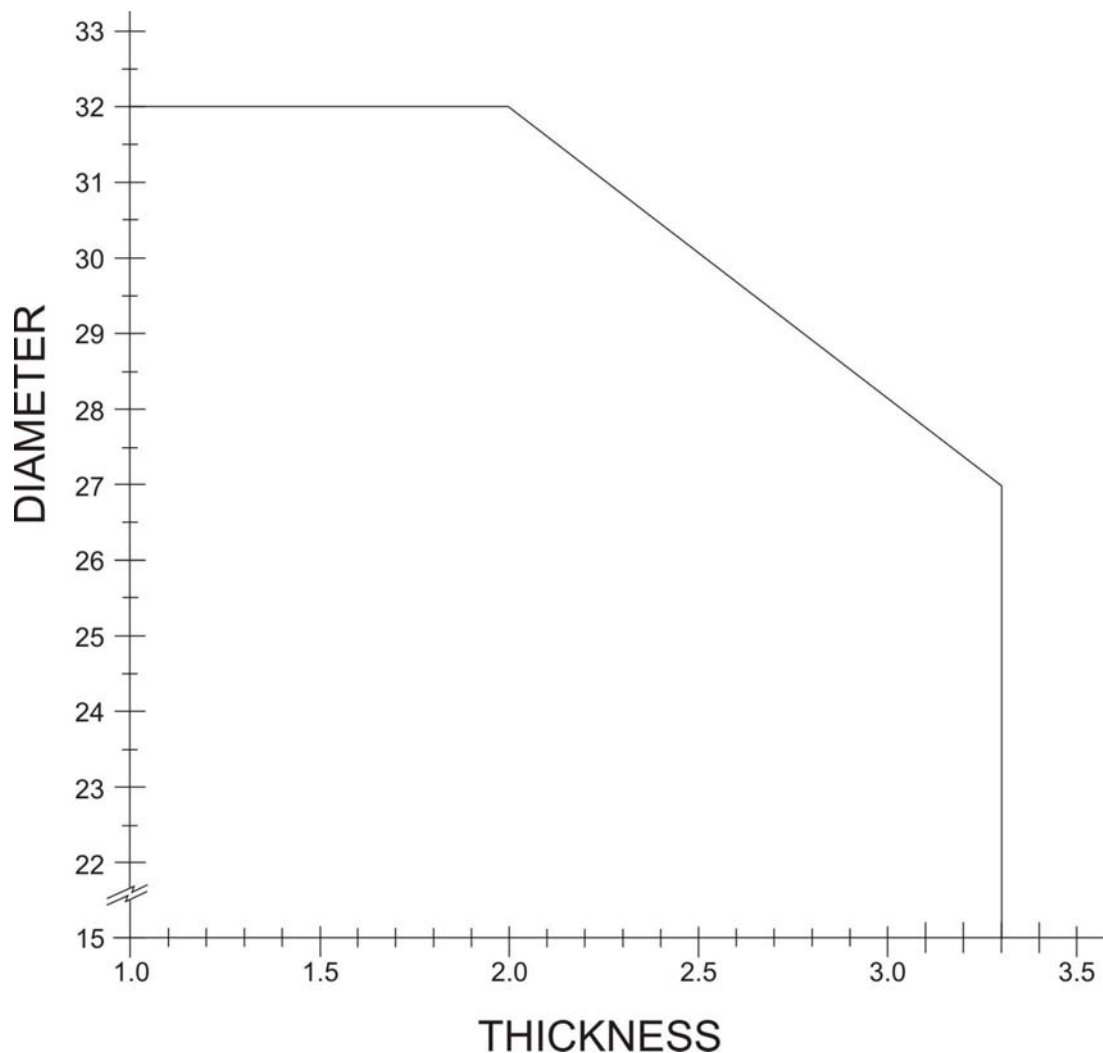


Figure 11: SR5 Accepted Coin Dimensions Graph

CONFIDENTIAL

Not to be disclosed without prior written permission from Money Controls
Page 21 of 26

18.3 Specified EMC Performance

18.31 EMISSIONS

This product is compliant with EMC test specification EN55022; 1998

18.32 IMMUNITY

This product is compliant with EMC test specification EN55014-2; 1997

18.33 SHOCK / VIBRATION IMMUNITY

This product is compliant with BS 2011 part 2.1. [IEC 68-2-27]

18.4 Environmental specification

Table 14: Environmental Ranges

Operating temperature range:	0°C to 55°C	10% to 75% RH non-condensing
Storage temperature range:	-20°C to 70°C	5% to 95% RH non-condensing
(Recovery time by the acceptor after a temperature step change is 1 hour per 20°C. Maximum operating rate of change 20°C per hour.)		

18.5 Material Flammability Rating

The major plastic part of the SR5 (the body) is rated as UL94-V0

The other parts are rated as UL94-HB

18.6 SR5 BDTA dimensions

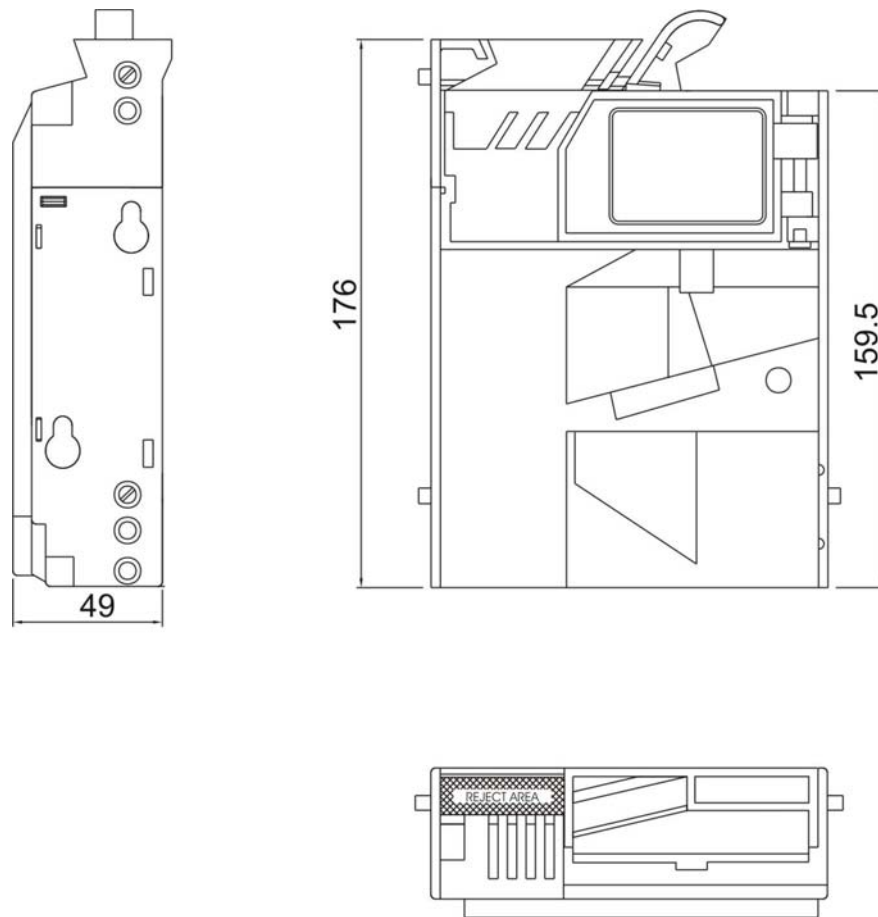


Figure 12: SR5 BDTA Dimensions

19. SR5 BDTA Label Details

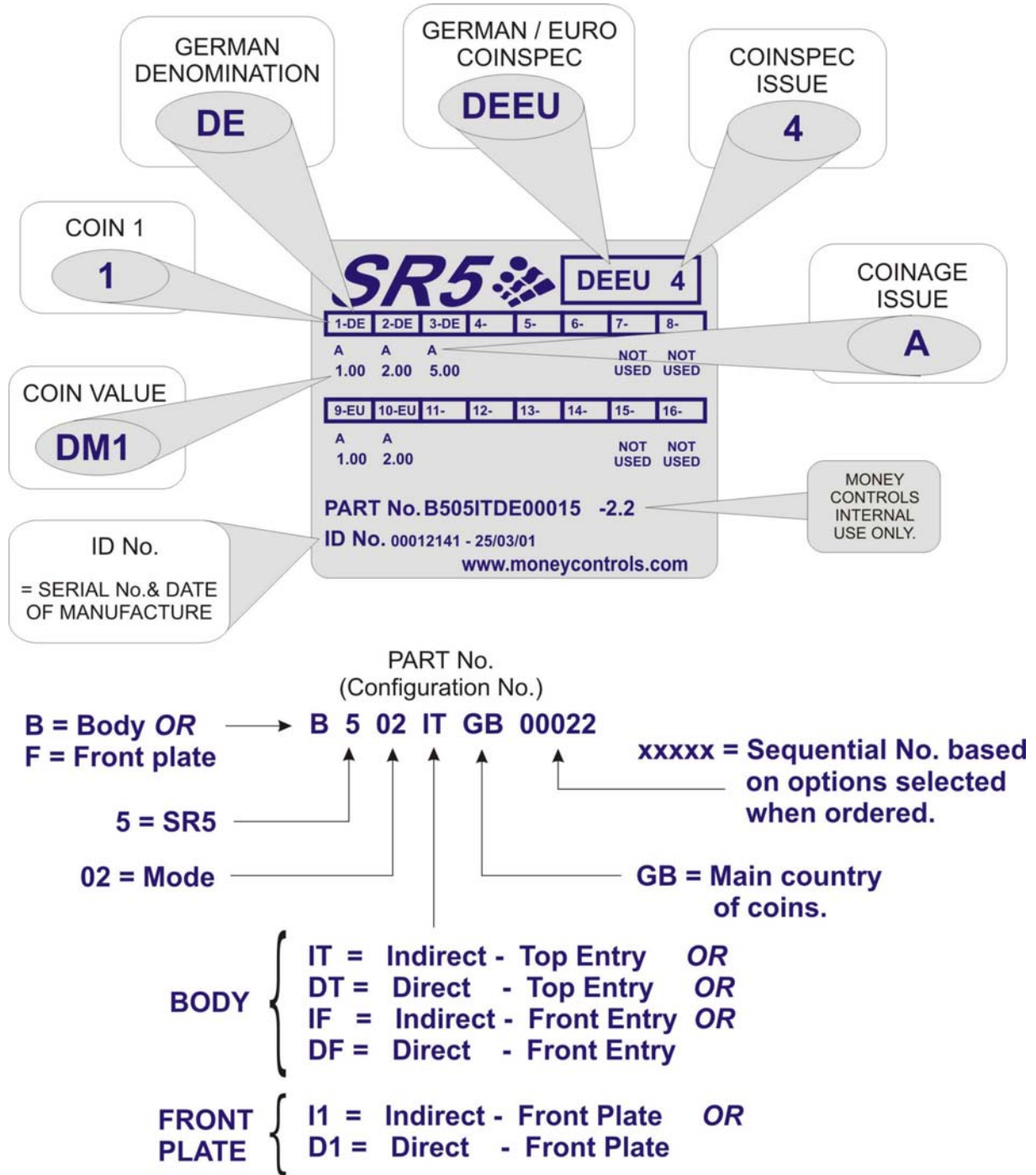


Figure 13: SR5 BDTA Label Details

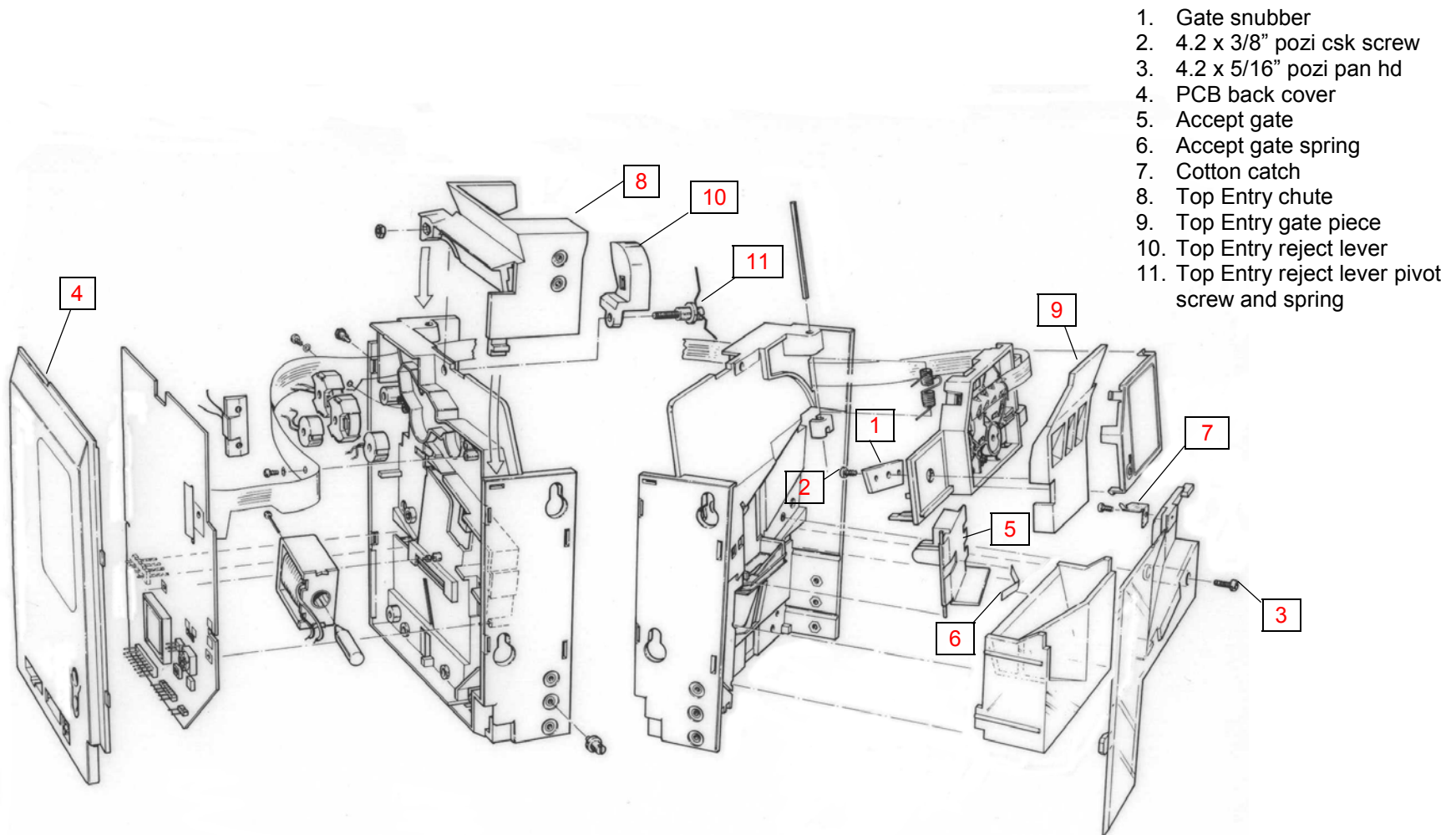


Figure 14: SR5 BDTA Exploded View

CONFIDENTIAL

Not to be disclosed without prior written permission from Money Controls
Page 25 of 26

This manual is intended only to assist the reader in the use of this product and therefore Money Controls shall not be liable for any loss or damage whatsoever arising from the use of any information or particulars in, or any incorrect use of the product. Money Controls reserve the right to change product specifications on any item without prior notice.