

Paytrak Conversion Manual for GP206DC12##



This document is the copyright of Money Controls Ltd and may not be reproduced in part or in total by any means, electronic or otherwise, without the written permission of Money Controls Ltd. Money Controls Ltd does not accept liability for any errors or omissions contained within this document. Money Controls Ltd shall not incur any penalties arising out of the adherence to, interpretation of, or reliance on, this standard. Money Controls Ltd will provide full support for this product when used as described within this document. Use in applications not covered or outside the scope of this document may not be supported. Money Controls Ltd. reserves the right to amend, improve or change the product referred to within this document or the document itself at any time.

Contents

1. Diary of changes.....	3
2. Introduction.....	4
3. Equipment.....	4
4. Conversion – Strip down	5
5. Conversion – Re-build.....	6
6. Setting the “Dog Point”.....	7
7. Exploded Drawings	8
8. Gamesman and Paytrak Build Numbers and coin range	12

Figures

Figure 1: Exploded Drawing – Bowl and disk assembly	8
Figure 2: Exploded Drawing – Motor, frame base assembly and Paytrak	9

Tables

Table 1: Exploded diagram parts list and description	10
Table 2: Build Numbers - Range of Coin Diameters	12
Table 3: Build Numbers - Range of Coin Thickness	12
Table 4: Build Conversion 1	13
Table 5: Build Conversion 2	14
Table 6: Build Conversion 3	15
Table 7: Build Conversion 4	16
Table 8: Build Conversion 5	17
Table 9: Build Conversion 6	18
Table 10: Build Conversion 7.....	19
Table 11: Build Conversion 8.....	20
Table 12: Build Conversion 9.....	21

1. Diary of changes

Issue 1.0 - First issue	September 2001
Issue 2.0	14 th March 2002
➤ Applied TMWP v3.0	
Issue 2.1	6 th Sept 2002
➤ Modification to disclaimer	
Issue 2.2	30 th June 2004
➤ Changed footer	
Issue 2.3	26 th August 2005
➤ Added Table 2 and Table 3 .	

2. Introduction

This manual has been compiled to enable Games Manufacturers, Casinos and Service Centres to convert a Money Controls Paytrak Hopper from one denomination to another.

A reference chart has been compiled and can be found at the back of this manual, see Table 4 to Table 12.

The conversion kit will be packed individually. In each package will be found a checklist of parts that are in the kit. The kit should be checked against the checklist before starting a hopper conversion.

3. Equipment

The following equipment will be required:-

1. Torque driver set at 4.0Nm [2.95 ft-lbs.] and fitted with a No3 Pozi head screw bit.
2. Torque driver set at 4.0Nm [2.95 ft-lbs.] and fitted with a No2 Pozi head screw bit.
3. Torque driver set at 4.0Nm [2.95 ft-lbs.] and fitted with a 10mm A/F "Across Flats" socket.
4. 3mm Allen Key.
5. 4mm Allen Key.
6. 10mm A/F "Across Flats" open-end spanner / wrench.

Note: - Tools not supplied by Money Controls.

4. Conversion – Strip down

[Refer to Figure 1 and Figure 2 Exploded Diagram Pages 8 and 9]

1. Disconnect the opto loom from the control board.
2. Disconnect the motor loom [Item 58 not shown].
3. Disconnect the level sense wires from the bowl.
4. Using the 4mm Allen Key, remove the two top M6 x 25 shoulder screws, [Item 2] and coloured spacers, [Item 3]. The bowl can then be lifted off the bottom two M6 x 25 shoulder screws. Remove the two M6 x 16 Pozi Pan head screws [Item 56] holding the regulator [Item 55] to the bowl unit.
5. Remove the bottom right hand M6 x 25 shoulder screw, [Item 2] and colour spacer/s, [Item 3].
6. Remove the two M6 x 30 Pozi Pan head screw, shakeproof washer and nut [Item 50, 51 & 52]. The tower unit, [Item 48], can now be removed from the housing.
7. Remove the top right hand M6 x 20 Pozi Pan head screw and shakeproof washer [Item 20 & 21].
8. Remove the bottom left hand M6 x 30 Pozi pan head screw and shakeproof washer [Item 22 & 23]. The wiper [Item 19] can now be removed.
9. Remove the M6 x 20 Pozi pan head screw and Shakeproof washer [Item 10 & 11] and then remove the bottom spacer [Item 9].
10. Remove the 2 off M6 x 20 Pozi pan head screws and shakeproof washers [Item 4 & 5]. The Twister cover [Item 6] The Claw [Item 7] and the Claw Spacer [Item 8] can now be removed.
11. Take hold of the motor to keep it in position. Then remove the two M6 x 16 Pozi countersunk Anu-lok screws, [Item 15], from the centre of the disc unit, [Item 14]. With the two screws removed the drive assembly, spring, rotary bearing and disc unit can be removed, [Items 14, 33, 34 & 35].
12. Remove the 3 x M6 Nuts and shakeproof washers [Item 42 & 43] holding the coin tube & top chute [Item 39 & 40] to the hopper.
13. Remove the M6 x 20 Pozi countersunk screw, nut and shakeproof washer, [Items 18, 31 & 32], then remove the wiper spacer, [Item 17].
14. (See note 1) Remove the three M4 Pozi pan screws, 4mm plain washer and the 4mm-shakeproof washer, [Items 27, 28 & 29], holding the horseshoe, [Item 16], to the housing [Item 30].
15. Remove the control harness and the motor harness [Item 57 & 58 Not shown] from the control board. Remove the plastic rivet [Item 44] holding the PCB cover [Item 45] in place. Remove the Control board [Item 46] from the PCB supports [Item 47]

Note 1: - Hopper build No8 is not fitted with a Horseshoe.

5. Conversion – Re-build

1. Place horseshoe, [Item 16], in the housing, [Item 30] and line up the holes in the housing with the 3 x M4 tapped holes in the horseshoe. Fix the horseshoe in place with the M4 screw, 4mm plain washer and the 4mm-shakeproof washer, [Items 27, 28 & 29].
2. Take the wiper spacer, [Item 17], from the kit and with the M6 x 35 Pozi countersunk screw, shakeproof washer and nut [Item 18, 31& 32] fit the wiper to the housing, [Item 30]. At this stage leave the screw only hand tight so the wiper, [Item 19], can be easily fitted.
3. Take the control board [Item 46] from the kit and fix to the PCB supports [Item 47]. Replace the PCB cover [Item 45] using plastic rivet [Item 44] from the kit.
4. Take the rotary bearing, spring and drive assembly previously removed [Items 33, 34 & 35] and locate the pin on the rotary bearing into the small hole in the housing. With the spring mounted on to the drive bush, locate the drive assembly into the rotary bearing.
5. Holding the drive assembly in place, place the disc unit, [Item 14], from the kit onto the locating pip on the end of the drive bush. Using the two M6 x 16 Pozi countersunk Anu-lok screws, [Item 15], from the kit, fix the disc to the drive bush.
6. Take the Claw spacer, the Claw [Item 7 & 8] from the kit and the twister cover [Item 6,] previously removed and fix to the housing with the two M6 x 20 Pozi pan head screws and shakeproof washers.[Item 4 & 5]

**Note: - a) The claw spacer is placed between the housing [Item 30] and the claw [Item 7]
b) The claw [Item 7] is fixed to the housing with the small leg facing into the housing.**

7. Take the bottom spacer [Item 9] from the kit and fix to the housing with a M6 x 20 Pozi pan head screw and shakeproof washer [Item 10 & 11] in the left hand side mounting hole.
8. Take the wiper [Item 19], from the kit. Position the wiper on the housing so that the two 6.2mm mounting holes line up one with the mounting holes in the housing and the second hole with the fixing hole in the bottom spacer [Item 9]. Fix the wiper to the housing using the M6 x 20 Pozi pan head screw, and shakeproof washer, [Item 20 & 21], in the top right hand hole. In the bottom left hand fixing hole, ^(See Note 2) fit the M6 x 30 Pozi pan head screw, and shakeproof washer [Items 22, & 23]. Take the M6 dog point socket, nut and shakeproof washer [Item 24, 25 & 26] Screw the dog point into the tapped hole in the wiper [Item 19] and then place the shakeproof washer on to the dog point then screw the M6 nut onto the dog point. [See setting the dog point section 6].
9. Take the tower unit [Item 48] from the kit. Slide the tower onto the housing [Item 30]. Place M6 x 30 pozi pan head screw [Item 50] into bottom fixing hole on the tower unit [Item 48] and into the housing [Item 30]. Screw M6 x 30 pozi pan head screw and shakeproof washer [Items 50 & 51] into the top fixing hole in the housing through the top hole on the tower. Fit M6 nut and shakeproof washers [Items 51 & 52] to the two screws to secure tower in place.

Note 2: - If converting to a Build No6, No7, or No8 then the M6 x 35 Pozi countersunk screw [Item 59] and filler piece extension [Item 60] is fitted at this point to the filler piece [Item 12].

10. All the M6 Pozi head screws should now be tightened to 4Nm [2.95 ft-lbs.].
11. Set the “Dog Point” – (See *Setting the “Dog Point”* section 6.
12. Place the coin tube and top chute [Item 39 & 40] over the two M6 x 10 clinch studs in the baseplate of the frame unit [Item 36] and the slot in the bracket on the Coin tube on the end of the M6 x 30 pozi pan screw. Fix the Coin Tube in place with two M6 nuts and shakeproof washers [Item 42 & 43]. Holding the Coin Tube and pull until the end of the screw is at the end of the slot. Use M6 nut and shakeproof washer [Item 42 & 43] to fix the Coin Tube in position.
13. Fit the regulator [Item 55] to the bowl unit [Item 1] with the two M6 x 16 Pozi Pan screws [Item 56].
14. Attach the Yoke Colour Spacers Label [Item 54] to the bowl unit [Item 1].
15. Fit the bottom right hand shoulder screw, [Item 2] and colour spacer, [Item 3], to the housing.
[Refer to the chart with the kit for the correct spacers for the denomination required].
16. Fit Bowl Unit [Item 1] and secure in place with the two shoulder screws, [Item 2] and colour spacers, [Item 3].
[Refer to chart with the kit for correct spacers for the denomination].
17. Reconnect level sense wires to bowl.
18. Reconnect the main harness and the motor harness to the control board.
19. Reconnect the plug on the Motor loom to the socket on the loom fitted to the control board.
20. Reconnect the opto loom to the control board.
21. Fit the new identification label [Item 54] from the kit to the hopper.
22. Test the hopper.

6. Setting the “Dog Point”

1. Screw the dog point screw, [Item 24] into the M6 tapped hole in the wiper, with the dog point end towards the disc, until it is finger tight.
2. Fit the 6mm shakeproof washer, [Item 26], onto the dog point. Screw an M6 nut, [Item 25], onto the dog point screw. Secure the dog point screw to the wiper by placing the 10mm socket onto the M6 nut and tighten to 4Nm [2.95 ft-lbs.].
3. Taking the 10mm spanner / wrench and the 3mm allen key, hold the nut with the spanner / wrench and with the allen Key in the dog point, turn the dog point anti-clockwise between half and three quarters of a turn.
4. Check that the disc can turn without being obstructed by the pin.

7. Exploded Drawings

Figure 1: Exploded Drawing – Bowl and disk assembly

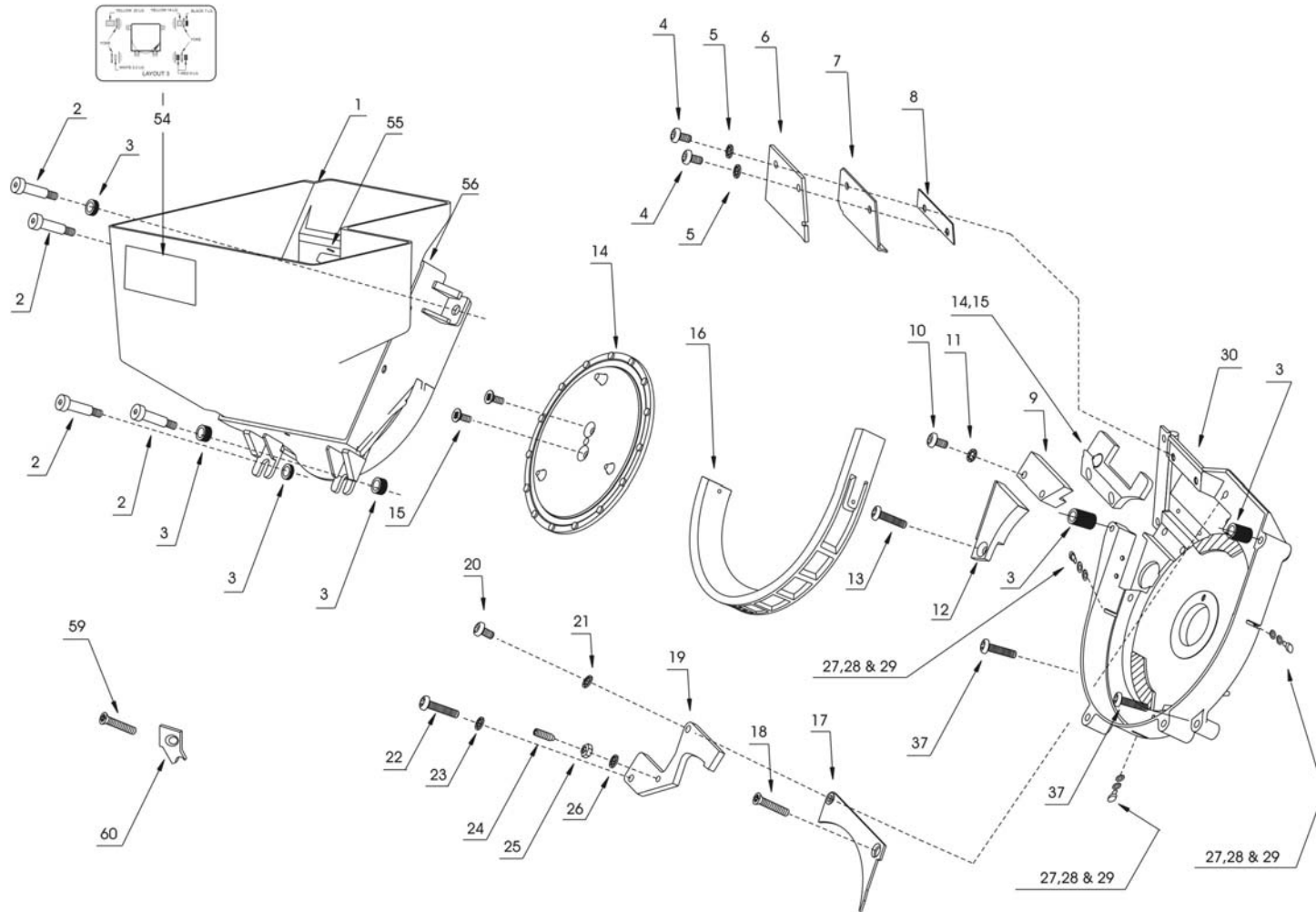


Figure 2: Exploded Drawing – Motor, frame base assembly and Paytrak

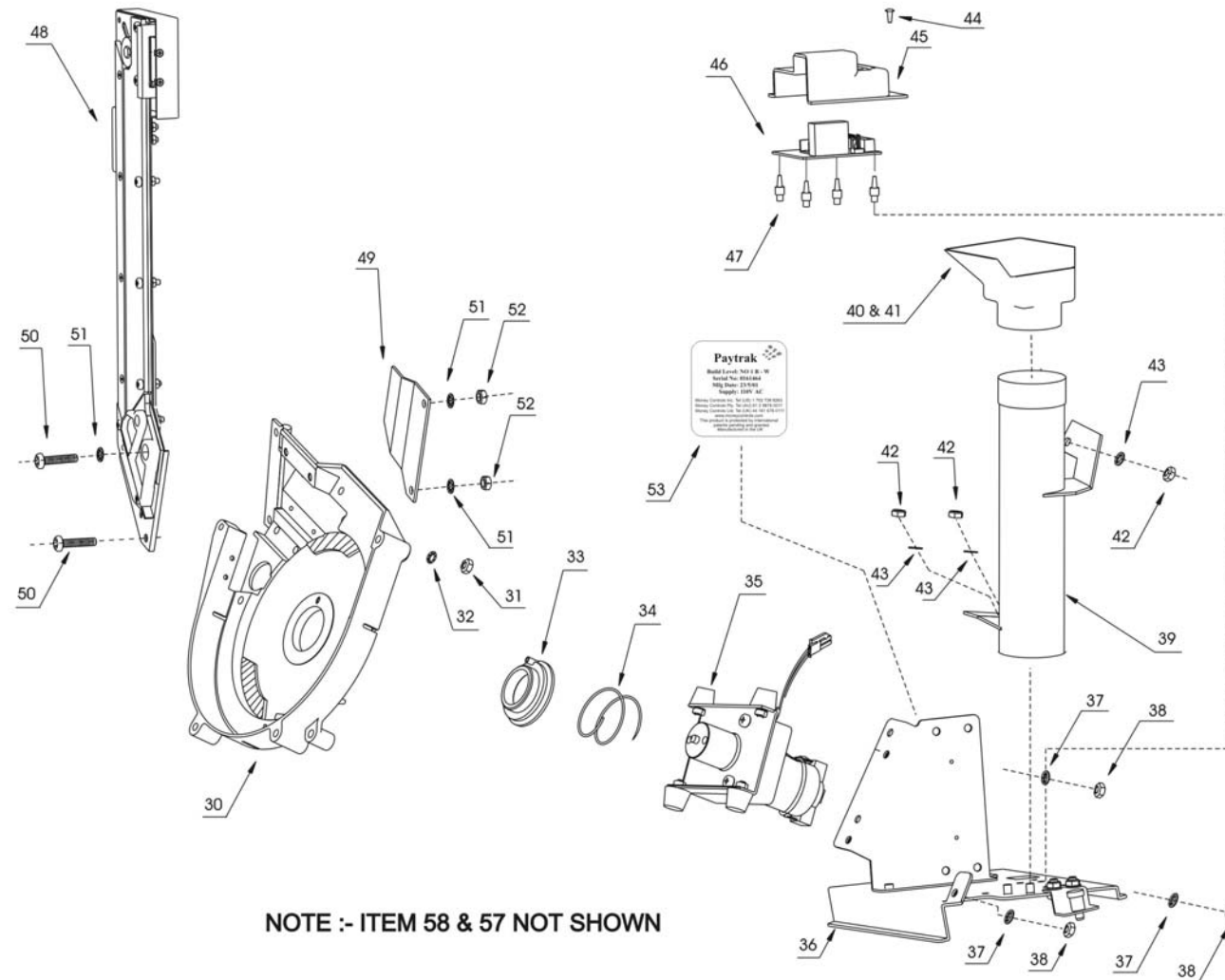


Table 1: Exploded diagram parts list and description**Part List ref. TSP023**

Item No	Description	Part No	Comments
1	Bowl Unit		Coin/Token Dependent – See separate chart
2	M6 x 25 Shoulder Screw	HSC/356	
3	Yoke Colour Spacers		Coin/Token Dependent – See separate chart
4	M6 x 20 Pozi pan screw	HSC/363	
5	6mm Shakeproof Washer	HWA/037	
6	Twister Cover	MER/002	
7	Claw		Coin/Token Dependent – See separate chart
8	Claw Spacer		Coin/Token Dependent – See separate chart
9	Bottom Spacer		Coin/Token Dependent – See separate chart
10	M6 x 20 Pozi pan screw	HSC/363	
11	6mm Shakeproof Washer	HWA/037	Coin/Token Dependent – See separate chart
12	Filler Pieces	PBL/954	
13	M6 x 35 Pozi c/sk screw	HSC/718	
14	Twister	PBL/955	
15	Twister Rivet	HST/077	
16	Horseshoe		Coin/Token Dependent – See separate chart
17	Wiper Spacer		Coin/Token Dependent – See separate chart
18	M6 x 35 Pozi c/sk screw	HSC/718	
19	Wiper		Coin/Token Dependent – See separate chart
20	M6 x 20 Pozi pan screw	HSC/363	
21	6mm Shakeproof Washer	HWA/037	
22	M6 x 30 Pozi screw	HSC/361	
23	6mm Shakeproof Washer	HWA/037	
24	M6 x 16 dog point screw	HSC/750	
25	M6 Hex Nut	HNT/026	
26	6mm Shakeproof Washer	HWA/037	
27	M4 Pozi pan screw	HSC/140	
28	4mm Washer	HWA/012	
29	4mm Shakeproof Washer	HWA/026	
30	Housing Unit	SUB/3492	
31	M6 Hex Nut	HNT/026	
32	6mm Shakeproof Washer	HWA/037	

Part List ref. TPS023 (Cont).

Item No	Description	Part No	Comments
33	Rotary Bearing	PBL/620	
34	Spring	SPR/030	
35	Drive Assembly	SUB/2342	
36	Frame Assembly	SUB/3479	
37	M6 Hex Nut	HNT/026	
38	6mm Shakeproof Washer	HWA/037	
39	Coin Tube	MER/151	
40	Coin Chute Top	PBL/1324	
41	Plastic Rivet	HSP/014	
42	M6 Hex Nut	HNT/026	
43	6mm Shakeproof Washer	HWA/037	
44	Plastic Rivet	HSP/014	
45	PCB Cover	PBL/1344	
46	PCB Control Board		Coin/Token Dependent – See separate chart
47	PCB Supports 1	PBL/1212	
48	Tower Unit		Coin/Token Dependent – See separate chart
49	Fixing Plate	MER/156	Supplied as part of tower
50	M6 x 30 Pozi screw	HSC/361	
51	6mm Shakeproof Washer	HWA/037	
52	M6 Hex Nut	HNT/026	
53	Hopper Label	TPL/011	Coin/Token Dependent – See separate chart
54	Yoke Colour Spacers Label		Coin/Token Dependent – See separate chart
55	Regulator		Coin/Token Dependent – See separate chart
56	M6 x 16 Pozi screw	HSC/360	
57	Harness 11	WMH/379	
58	Harness 12	WMH/380	
59	M6 x 35 Pozi c/sk screw	HSC/718	
60	Filler Pieces Extension	MER/169	

8. Gamesman and Paytrak Build Numbers and coin range

Table 2: Build Numbers - Range of Coin Diameters

Hopper Build No	Diameter Range in mm	Diameter Range in ins
No 1	20 to 22	0.7874 to 0.8661
No 2	22 to 25	0.8661 to 0.9843
No 3	25 to 28	0.9843 to 1.1024
No 4	28 to 31	1.1024 to 1.2205
No 5	31 to 34	1.2205 to 1.3386
No 6	34 to 38	1.3386 to 1.4961
No 7	38 to 42	1.4961 to 1.6535
No 8	42 to 45	1.6535 to 1.7717
No 9	18 to 20	0.7086 to 0.7874
No 10	16 to 18	0.6299 to 0.7086

Table 3: Build Numbers - Range of Coin Thickness

Coin Thickness No	Coin Thickness in mm	Coin Thickness in ins
A	1.0 to 1.5	0.0394 to 0.0591
B	1.6 to 2.0	0.0630 to 0.0787
C	2.1 to 2.5	0.0827 to 0.0984
D	2.6 to 3.0	0.1024 to 0.1181
E	3.1 to 3.5	0.1221 to 0.1378
F	3.6 to 4.0	0.1417 to 0.1575

Example showing how to determine which build a particular coin/token would fit in.

Example: **5 cent US coin.**

Diameter = 21.18

Coin thickness = 1.9

- 1] Check which number in table 1 the diameter of the coin will fit.
For the above coin = No1
- 2] Check which letter from table 2 does the thickness of the coin fit.
For the above coin = B
- 3] The Hopper Build No for the above coin = No1B
- 4] Coin will need to be checked and qualified in a hopper.

Table 4: Build Conversion 1

Conversion Kits for Gamesman Hopper for Cole/Aristocrat

	Build No1					
	A	B	C	D	E	F
Discription	Kit No 1A	Kit No 1B	Kit No 1C	Kit No 1D	Kit No 1E	Kit No 1F
Configured No						
Production Test Coin	10c Tkn	5c US	0.05 peso Tkn	10 Kr Coin	No Coin	No Coin
Regulator	MER/057	MER/057	MER/057	MER/057	MER/057	MER/057
Yoke Spacer 4	PBL/1004	PBL/1004	PBL/1004	PBL/1004	PBL/1004	PBL/1004
Yoke Spacer 6	PBL/1006	PBL/1006	PBL/1006	PBL/1006	PBL/1006	PBL/1006
Yoke Spacer	PBL/108	PBL/108	PBL/108	PBL/108	PBL/108	PBL/108
Yoke Spacer 10	PBL/1010	PBL/1010	PBL/1010	PBL/1010	PBL/1010	PBL/1010
Yoke Spacer 12	PBL/1012	PBL/1012	PBL/1012	PBL/1012	PBL/1012	PBL/1012
Tower Unit	SUB/3790	SUB/2700	SUB/3791	SUB/3792	SUB/3793	SUB/3794
Wiper	MER/082	MER/082	MER/082	MER/082	MER/082	MER/082
M6 Dog Point	HSC/750	HSC/750	HSC/750	HSC/750	HSC/750	HSC/750
M6 Nut	HNT/026	HNT/026	HNT/026	HNT/026	HNT/026	HNT/026
6mm S/P Washer	HWA/037	HWA/037	HWA/037	HWA/037	HWA/037	HWA/037
Wiper Spacer [1]	MER/042	MMC/095	MER/042	MER/042	MER/043	MER/042
Wiper Spacer [2]	N/A	N/A	MER/043	MER/042	MER/043	MER/042
Wiper Spacer [3]	N/A	N/A	N/A	N/A	MER/043	MER/043
Bottom Spacer	MER/210	MER/076	MER/211	MER/212	MER/213	MER/214
Claw	MER/077	MER/077	MER/077	MER/077	MER/077	MER/077
Claw Spacer	MER/099	MER/101	MER/102	MER/102	MER/102	MER/103
Claw Spacer	N/A	N/A	N/A	MER/099	MER/101	N/A
Disc Unit	SUB/2577	SUB/2577	SUB/2576	SUB/2576	SUB/3442	SUB/3443
Horseshoe	MER/021	MER/021	MER/021	MER/021	MER/021	MER/021
PCB Control Board	SUB/2320	SUB/2320	SUB/2320	SUB/2320	SUB/2320	SUB/2320
Hopper Label	TPL/011	TPL/011	TPL/011	TPL/011	TPL/011	TPL/011
Yoke Spacer Label	LAB/384	LAB/384	LAB/384	LAB/384	LAB/384	LAB/384

Table 5: Build Conversion 2

Conversion Kits for Gamesman Hopper for Cole/Aristocrat

	Build No2					
	A	B	C	D	E	F
Discription	Kit No 2A	Kit No 2B	Kit No 2C	Kit No 2D	Kit No 2E	Kit No 2F
Configured No						
Production Test Coin	25c Can Coin	25c US	100 Esc Coin	100 Pesetas	50 Esc Coin	No Coin
Regulator	MER/057	MER/057	MER/057	MER/057	MER/057	MER/057
Yoke Spacer 4	PBL/1004	PBL/1004	PBL/1004	PBL/1004	PBL/1004	PBL/1004
Yoke Spacer 6	PBL/1006	PBL/1006	PBL/1006	PBL/1006	PBL/1006	PBL/1006
Yoke Spacer	PBL/108	PBL/108	PBL/108	PBL/108	PBL/108	PBL/108
Yoke Spacer 10	PBL/1010	PBL/1010	PBL/1010	PBL/1010	PBL/1010	PBL/1010
Yoke Spacer 12	PBL/1012	PBL/1012	PBL/1012	PBL/1012	PBL/1012	PBL/1012
Tower Unit	SUB/3790	SUB/2700	SUB/3791	SUB/3792	SUB/3793	SUB/3794
Wiper	MER/096	MER/096	MER/096	MER/096	MER/096	MER/096
M6 Dog Point	HSC/750	HSC/750	HSC/750	HSC/750	HSC/750	HSC/750
M6 Nut	HNT/026	HNT/026	HNT/026	HNT/026	HNT/026	HNT/026
6mm S/P Washer	HWA/037	HWA/037	HWA/037	HWA/037	HWA/037	HWA/037
Wiper Spacer [1]	MER/042	MMC/095	MER/042	MER/042	MER/043	MER/042
Wiper Spacer [2]	N/A	N/A	MER/043	MER/042	MER/043	MER/042
Wiper Spacer [3]	N/A	N/A	N/A	N/A	MER/043	MER/043
Bottom Spacer	MER/215	MER/020	MER/216	MER/217	MER/218	MER/219
Claw	MER/047	MER/047	MER/047	MER/047	MER/047	MER/047
Claw Spacer	MER/099	MER/101	MER/102	MER/102	MER/102	MER/103
Claw Spacer	N/A	N/A	N/A	MER/099	MER/101	N/A
Disc Unit	SUB/2581	SUB/2581	SUB/2580	SUB/2580	SUB/3444	SUB/3445
Horseshoe	MER/021	MER/021	MER/021	MER/021	MER/021	MER/021
PCB Control Board	SUB/2320	SUB/2320	SUB/2320	SUB/2320	SUB/2320	SUB/2320
Hopper Label	TPL/011	TPL/011	TPL/011	TPL/011	TPL/011	TPL/011
Yoke Spacer Label	LAB/384	LAB/384	LAB/384	LAB/384	LAB/384	LAB/384

Table 6: Build Conversion 3

Conversion Kits for Gamesman Hopper for Cole/Aristocrat

	Build No3					
	A	B	C	D	E	F
Discription	Kit No 3A	Kit No 3B	Kit No 3C	Kit No 3D	Kit No 3E	Kit No 3F
Configured No						
Production Test Coin	2c US Tkn	2FF	20 Kc Coin	\$1 Aus Coin	No Coin	No Coin
Regulator	MER/057	MER/057	MER/057	MER/057	MER/057	MER/057
Yoke Spacer 4	PBL/1004	PBL/1004	PBL/1004	PBL/1004	PBL/1004	PBL/1004
Yoke Spacer 6	PBL/1006	PBL/1006	PBL/1006	PBL/1006	PBL/1006	PBL/1006
Yoke Spacer	PBL/108	PBL/108	PBL/108	PBL/108	PBL/108	PBL/108
Yoke Spacer 10	PBL/1010	PBL/1010	PBL/1010	PBL/1010	PBL/1010	PBL/1010
Yoke Spacer 12	PBL/1012	PBL/1012	PBL/1012	PBL/1012	PBL/1012	PBL/1012
Tower Unit	SUB/3795	SUB/3796	SUB/3797	SUB/3798	SUB/3799	SUB/3800
Wiper	MER/114	MER/114	MER/114	MER/114	MER/114	MER/114
M6 Dog Point	HSC/750	HSC/750	HSC/750	HSC/750	HSC/750	HSC/750
M6 Nut	HNT/026	HNT/026	HNT/026	HNT/026	HNT/026	HNT/026
6mm S/P Washer	HWA/037	HWA/037	HWA/037	HWA/037	HWA/037	HWA/037
Wiper Spacer [1]	MER/042	MMC/095	MER/042	MER/042	MER/043	MER/042
Wiper Spacer [2]	N/A	N/A	MER/043	MER/042	MER/043	MER/042
Wiper Spacer [3]	N/A	N/A	N/A	N/A	MER/043	MER/043
Bottom Spacer	MER/220	MER/020	MER/221	MER/222	MER/223	MER/224
Claw	MER/097	MER/097	MER/097	MER/097	MER/097	MER/097
Claw Spacer	MER/099	MER/101	MER/102	MER/102	MER/102	MER/103
Claw Spacer	N/A	N/A	N/A	MER/099	MER/101	N/A
Disc Unit	SUB/3070	SUB/3070	SUB/2573	SUB/2573	SUB/3451	SUB/3452
Horseshoe	MER/021	MER/021	MER/021	MER/021	MER/021	MER/021
PCB Control Board	SUB/2320	SUB/2320	SUB/2320	SUB/2320	SUB/2320	SUB/2320
Hopper Label	TPL/011	TPL/011	TPL/011	TPL/011	TPL/011	TPL/011
Yoke Spacer Label	LAB/384	LAB/384	LAB/384	LAB/384	LAB/384	LAB/384

Table 7: Build Conversion 4

Conversion Kits for Gamesman Hopper for Cole/Aristocrat

	Build No4					
	A	B	C	D	E	F
Discription	Kit No 4A	Kit No 4B	Kit No 4C	Kit No 4D	Kit No 4E	Kit No 4F
Configured No						
Production Test Coin	No Coin	5 Kr Coin	50c US	5 Bol	No Coin	No Coin
Regulator	MER/057	MER/057	MER/057	MER/057	MER/057	MER/057
Yoke Spacer 4	PBL/1004	PBL/1004	PBL/1004	PBL/1004	PBL/1004	PBL/1004
Yoke Spacer 6	PBL/1006	PBL/1006	PBL/1006	PBL/1006	PBL/1006	PBL/1006
Yoke Spacer	PBL/108	PBL/108	PBL/108	PBL/108	PBL/108	PBL/108
Yoke Spacer 10	PBL/1010	PBL/1010	PBL/1010	PBL/1010	PBL/1010	PBL/1010
Yoke Spacer 12	PBL/1012	PBL/1012	PBL/1012	PBL/1012	PBL/1012	PBL/1012
Tower Unit	SUB/3795	SUB/3796	SUB/3797	SUB/3798	SUB/3799	SUB/3800
Wiper	MER/055	MER/055	MER/055	MER/055	MER/055	MER/055
M6 Dog Point	HSC/750	HSC/750	HSC/750	HSC/750	HSC/750	HSC/750
M6 Nut	HNT/026	HNT/026	HNT/026	HNT/026	HNT/026	HNT/026
6mm S/P Washer	HWA/037	HWA/037	HWA/037	HWA/037	HWA/037	HWA/037
Wiper Spacer [1]	MER/042	MMC/095	MER/043	MER/042	MER/043	MER/042
Wiper Spacer [2]	N/A	N/A	MER/043	MER/042	MER/043	MER/042
Wiper Spacer [3]	N/A	N/A	N/A	N/A	MER/043	MER/043
Bottom Spacer	MER/225	MER/226	MER/097	MER/227	MER/228	MER/229
Claw	MER/097	MER/097	MER/097	MER/097	MER/097	MER/097
Claw Spacer	MER/099	MER/101	MER/102	MER/102	MER/102	MER/103
Claw Spacer	N/A	N/A	N/A	MER/099	MER/101	N/A
Disc Unit	SUB/3458	SUB/3458	SUB/3563	SUB/3563	SUB/3461	SUB/3462
Horseshoe	MER/021	MER/021	MER/021	MER/021	MER/021	MER/021
PCB Control Board	SUB/2320	SUB/2320	SUB/2320	SUB/2320	SUB/2320	SUB/2320
Hopper Label	TPL/011	TPL/011	TPL/011	TPL/011	TPL/011	TPL/011
Yoke Spacer Label	LAB/384	LAB/384	LAB/384	LAB/384	LAB/384	LAB/384

Table 8: Build Conversion 5

Conversion Kits for Gamesman Hopper for Cole/Aristocrat

	Build No5					
	A	B	C	D	E	F
Discription	Kit No 5A	Kit No 5B	Kit No 5C	Kit No 5D	Kit No 5E	Kit No 5F
Configured No						
Production Test Coin	50c Tkn	50c Tkn	\$2 Tkn	20 Peso	No Coin	No Coin
Regulator	MER/057	MER/057	MER/057	MER/057	MER/057	MER/057
Yoke Spacer 12	PBL/1012	PBL/1012	PBL/1012	PBL/1012	PBL/1012	PBL/1012
Yoke Spacer 1	PBL/1001	PBL/1001	PBL/1001	PBL/1001	PBL/1001	PBL/1001
Yoke Spacer 11	PBL/1011	PBL/1011	PBL/1011	PBL/1011	PBL/1011	PBL/1011
Yoke Spacer	PBL/108	PBL/108	PBL/108	PBL/108	PBL/108	PBL/108
Yoke Spacer 6	PBL/1003	PBL/1003	PBL/1003	PBL/1003	PBL/1003	PBL/1003
Yoke Spacer 8	PBL/1008	PBL/1008	PBL/1008	PBL/1008	PBL/1008	PBL/1008
Tower Unit	SUB/3801	SUB/3802	SUB/2671	SUB/3803	SUB/3804	SUB/3805
Wiper	MER/258	MER/258	MER/258	MER/258	MER/258	MER/258
M6 Dog Point	HSC/750	HSC/750	HSC/750	HSC/750	HSC/750	HSC/750
M6 Nut	HNT/026	HNT/026	HNT/026	HNT/026	HNT/026	HNT/026
6mm S/P Washer	HWA/037	HWA/037	HWA/037	HWA/037	HWA/037	HWA/037
Wiper Spacer [1]	MER/044	MMC/122	MER/045	MER/044	MER/045	MER/044
Wiper Spacer [2]	N/A	N/A	MER/045	MER/044	MER/045	MER/044
Wiper Spacer [3]	N/A	N/A	N/A	N/A	MER/045	MER/044
Bottom Spacer	MER/230	MER/231	MER/232	MER/233	MER/234	MER/235
Claw	MER/236	MER/236	MER/236	MER/236	MER/236	MER/236
Claw Spacer	MER/099	MER/101	MER/102	MER/102	MER/102	MER/103
Claw Spacer	N/A	N/A	N/A	MER/099	MER/101	N/A
Disc Unit	SUB/3474	SUB/3474	SUB/3173	SUB/3173	SUB/3476	SUB/3477
Horseshoe	MER/021	MER/021	MER/021	MER/021	MER/021	MER/021
PCB Control Board	SUB/2320	SUB/2320	SUB/2320	SUB/2320	SUB/2320	SUB/2320
Hopper Label	TPL/011	TPL/011	TPL/011	TPL/011	TPL/011	TPL/011
Yoke Spacer Label	LAB/383	LAB/383	LAB/383	LAB/383	LAB/383	LAB/383

Table 9: Build Conversion 6

Conversion Kits for Gamesman Hopper for Cole/Aristocrat

	Build No6					
	A	B	C	D	E	F
Discription	Kit No 6A	Kit No 6B	Kit No 6C	Kit No 6D	Kit No 6E	Kit No 6F
Configured No						
Production Test Coin	No Coin	No Coin	T522	\$1 Tkn	No Coin	No Coin
Regulator	MER/060	MER/060	MER/060	MER/060	MER/060	MER/060
Yoke Spacer 12	PBL/1012	PBL/1012	PBL/1012	PBL/1012	PBL/1012	PBL/1012
Yoke Spacer	PBL/108	PBL/108	PBL/108	PBL/108	PBL/108	PBL/108
Yoke Spacer 8	PBL/1008	PBL/1008	PBL/1008	PBL/1008	PBL/1008	PBL/1008
Tower Unit	SUB/3801	SUB/3802	SUB/2671	SUB/3803	SUB/3804	SUB/3805
Wiper	MER/112	MER/112	MER/112	MER/112	MER/112	MER/112
M6 Dog Point	HSC/750	HSC/750	HSC/750	HSC/750	HSC/750	HSC/750
M6 Nut	HNT/026	HNT/026	HNT/026	HNT/026	HNT/026	HNT/026
6mm S/P Washer	HWA/037	HWA/037	HWA/037	HWA/037	HWA/037	HWA/037
Wiper Spacer [1]	MER/044	MMC/122	MER/044	MER/044	MER/045	MER/044
Wiper Spacer [2]	N/A	N/A	MER/045	MER/044	MER/045	MER/044
Wiper Spacer [3]	N/A	N/A	N/A	N/A	MER/045	MER/044
Bottom Spacer	MER/237	MER/238	MER/019	MER/239	MER/240	MER/241
Claw	MER/059	MER/059	MER/059	MER/059	MER/059	MER/059
Claw Spacer	MER/102	MER/101	MER/102	MER/103	MER/103	MER/103
Claw Spacer	N/A	MER/099	MER/101	MER/099	MER/101	MER/102
Disc Unit	SUB/3491	SUB/3491	SUB/3191	SUB/3191	SUB/3497	SUB/3498
Horseshoe	MER/013	MER/013	MER/013	MER/013	MER/013	MER/013
PCB Control Board	SUB/2537	SUB/2537	SUB/2537	SUB/2537	SUB/2537	SUB/2537
Hopper Label	TPL/011	TPL/011	TPL/011	TPL/011	TPL/011	TPL/011
Yoke Spacer Label	LAB/382	LAB/382	LAB/382	LAB/382	LAB/382	LAB/382
M6 x 35 Pozi c/sk Screw	HSC/718	HSC/718	HSC/718	HSC/718	HSC/718	HSC/718
Filler Pieces Extension	MER/169	MER/169	MER/169	MER/169	MER/169	MER/169

Table 10: Build Conversion 7

Conversion Kits for Gamesman Hopper for Cole/Aristocrat

	Build No7					
	A	B	C	D	E	F
Discription	Kit No 7A	Kit No 7B	Kit No 7C	Kit No 7D	Kit No 7E	Kit No 7F
Configured No						
Production Test Coin	No Coin	No Coin	IDX Tkn	No Coin	\$2 Aus Coin	No Coin
Regulator	MER/060	MER/060	MER/060	MER/060	MER/060	MER/060
Yoke Spacer 12	PBL/1012	PBL/1012	PBL/1012	PBL/1012	PBL/1012	PBL/1012
Yoke Spacer	PBL/108	PBL/108	PBL/108	PBL/108	PBL/108	PBL/108
Yoke Spacer 8	PBL/1008	PBL/1008	PBL/1008	PBL/1008	PBL/1008	PBL/1008
Tower Unit	SUB/3806	SUB/3807	SUB/3808	SUB/3809	SUB/3810	SUB/3811
Wiper	MER/242	MER/242	MER/242	MER/242	MER/242	MER/242
M6 Dog Point	HSC/750	HSC/750	HSC/750	HSC/750	HSC/750	HSC/750
M6 Nut	HNT/026	HNT/026	HNT/026	HNT/026	HNT/026	HNT/026
6mm S/P Washer	HWA/037	HWA/037	HWA/037	HWA/037	HWA/037	HWA/037
Wiper Spacer [1]	MER/044	MMC/122	MER/044	MER/044	MER/045	MER/044
Wiper Spacer [2]	N/A	N/A	MER/045	MER/044	MER/045	MER/044
Wiper Spacer [3]	N/A	N/A	N/A	N/A	MER/045	MER/044
Bottom Spacer	MER/234	MER/244	MER/245	MER/246	MER/246	MER/246
Claw	MER/249	MER/249	MER/249	MER/249	MER/249	MER/249
Claw Spacer	MER/102	MER/101	MER/102	MER/103	MER/103	MER/103
Claw Spacer	N/A	MER/099	MER/101	MER/099	MER/101	MER/102
Disc Unit	SUB/3478	SUB/3478	SUB/3480	SUB/3480	SUB/3482	SUB/3483
Horseshoe	MER/013	MER/013	MER/013	MER/013	MER/013	MER/013
PCB Control Board	SUB/2537	SUB/2537	SUB/2537	SUB/2537	SUB/2537	SUB/2537
Hopper Label	TPL/011	TPL/011	TPL/011	TPL/011	TPL/011	TPL/011
Yoke Spacer Label	LAB/382	LAB/382	LAB/382	LAB/382	LAB/382	LAB/382
M6 x 35 Pozi c/sk Screw	HSC/718	HSC/718	HSC/718	HSC/718	HSC/718	HSC/718
Filler Pieces Extension	MER/169	MER/169	MER/169	MER/169	MER/169	MER/169

Table 11: Build Conversion 8

Conversion Kits for Gamesman Hopper for Cole/Aristocrat

	Build No8					
	A	B	C	D	E	F
Discription	Kit No 8A	Kit No 8B	Kit No 8C	Kit No 8D	Kit No 8E	Kit No 8F
Configured No						
Production Test Coin	No Coin	No Coin	No Coin	T622	No Coin	No Coin
Regulator				MER/060		
Yoke Spacer 12				PBL/1012		
Yoke Spacer				PBL/108		
Yoke Spacer 8				PBL/1008		
Tower Unit				SUB/3809		
Wiper				MER/250		
M6 Dog Point				HSC/750		
M6 Nut				HNT/026		
6mm S/P Washer				HWA/037		
Wiper Spacer [1]				MER/044		
Wiper Spacer [2]				MER/044		
Wiper Spacer [3]				N/A		
Bottom Spacer				MER/251		
Claw				MER/252		
Claw Spacer				MER/103		
Claw Spacer				MER/099		
Disc Unit				SUB/3480		
Horseshoe				MER/013		
PCB Control Board				SUB/2537		
Hopper Label				TPL/011		
Yoke Spacer Label				LAB/382		
M6 x 35 Pozi c/sk Screw				HSC/718		
Filler Pieces Extension				MER/169		

Table 12: Build Conversion 9

Conversion Kits for Gamesman Hopper for Cole/Aristocrat

	Build No9					
	A	B	C	D	E	F
Discription	Kit No 9A	Kit No 9B	Kit No 9C			
Configured No						
Production Test Coin	10c US		25 Pesetas			
Regulator	MER/057	MER/057	MER/057			
Yoke Spacer 4	PBL/1004	PBL/1004	PBL/1004			
Yoke Spacer 6	PBL/1006	PBL/1006	PBL/1006			
Yoke Spacer	PBL/108	PBL/108	PBL/108			
Yoke Spacer 10	PBL/1010	PBL/1010	PBL/1010			
Yoke Spacer 12	PBL/1012	PBL/1012	PBL/1012			
Tower Unit	SUB/3812	SUB/3813	SUB/3814			
Wiper	MER/253	MER/082	MER/082			
M6 Dog Point	HSC/750	HSC/750	HSC/750			
M6 Nut	HNT/026	HNT/026	HNT/026			
6mm S/P Washer	HWA/037	HWA/037	HWA/037			
Wiper Spacer [1]	MER/174	MMC/127	MER/042			
Wiper Spacer [2]	N/A	N/A	MER/043			
Wiper Spacer [3]	N/A	N/A	N/A			
Bottom Spacer	MER/254	MER/254	MER/245			
Claw	MER/257	MER/257	MER/077			
Claw Spacer	MER/099	MER/101	MER/102			
Claw Spacer	N/A	N/A	N/A			
Disc Unit	SUB/3070	SUB/3070	SUB/3815			
Horseshoe	MER/175	MER/175	MER/021			
PCB Control Board	SUB/2320	SUB/2320	SUB/2320			
Hopper Label	TPL/011	TPL/011	TPL/011			
Yoke Spacer Label	LAB/384	LAB/384	LAB/384			

This manual is intended only to assist the reader in the use of this product and therefore Money Controls shall not be liable for any loss or damage whatsoever arising from the use of any information or particulars in, or any incorrect use of the product. Money Controls reserve the right to change product specifications on any item without prior notice.