

Condor Plus Euro Toolkit Manual



This document is the copyright of Money Controls Ltd and may not be reproduced in part or in total by any means, electronic or otherwise, without the written permission of Money Controls Ltd. Money Controls Ltd does not accept liability for any errors or omissions contained within this document. Money Controls Ltd shall not incur any penalties arising out of the adherence to, interpretation of, or reliance on, this standard. Money Controls Ltd will provide full support for this product when used as described within this document. Use in applications not covered or outside the scope of this document may not be supported. Money Controls Ltd. reserves the right to amend, improve or change the product referred to within this document or the document itself at any time.

Contents

- 1. **Diary of Changes** 3
- 2. **Introduction**..... 4
- 3. **Condor Plus Connectors** 5
- 4. **Coin Enable**..... 6
- 5. **Coin Teach** 6

Tables

- Table 1: Connector Descriptions 5

Figures

- Figure 1: Euro Toolkit Connections 4
- Figure 2: Connector Positions 5
- Figure 3: **ccTalk** Interface - Connector 3..... 5
- Figure 4: Rotary Switch v Coin Windows..... 6

1. Diary of Changes

Issue 1.0.....September 2002

Issue 1.1.....2nd January 2003

- Typo mistakes corrected.
- Applied TMWP 3.2

Issue 1.2.....21st August 2003

- Changed ccTalk[®] to ccTalk throughout the manual.

Issue 1.3.....30th June 2004

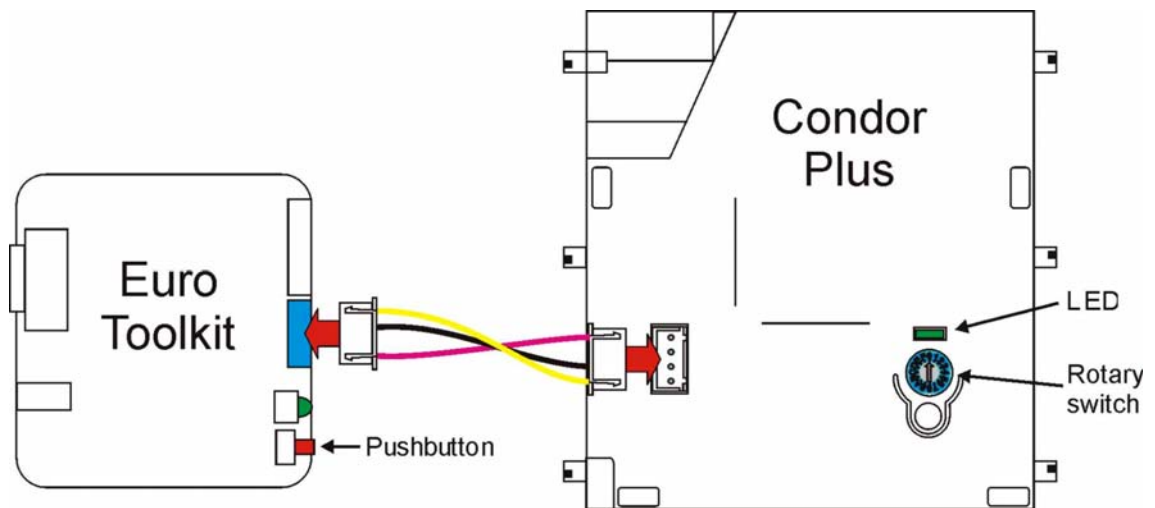
- Changed footer

2. Introduction

The Euro Toolkit is designed to interface to the Condor Plus coin acceptor and enable the following features:-

- The cctalk interface is the single connection between the Condor Plus and the toolkit. Power should be applied to the mech after the connection to the toolkit has been made.
- There are two programming functions; Coin Enable and Coin Teach.

Figure 1: Euro Toolkit Connections



3. Condor Plus Connectors

Figure 2: Connector Positions

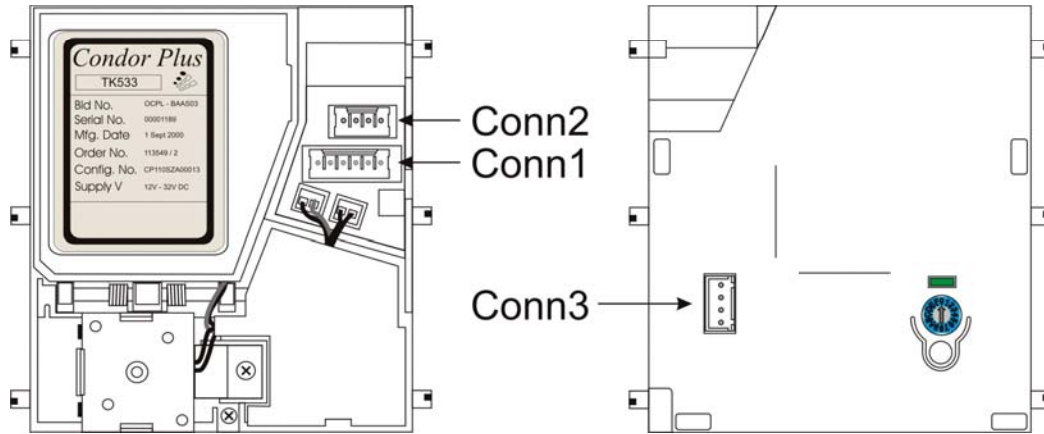


Table 1: Connector Descriptions

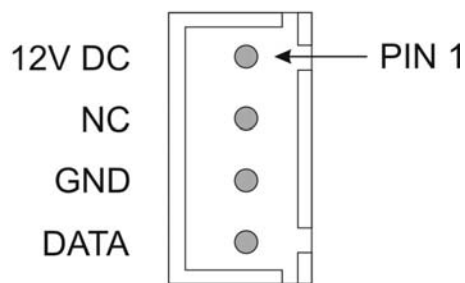
Conn1	Parallel Interface
Conn2	Divertor Driver
Conn3	ccTalk Interface

Conn3 is the ccTalk connector which the Euro Toolkit will connect to.

Figure 3: **ccTalk** Interface - Connector 3

Connector Type:- JST

Part No:- B4B-XH-A



Protocol:- ccTalk

4. Coin Enable

1. To specify the coin to be enabled, turn the Condor Plus rotary switch to the position of the specific coin to be enabled. (see [Figure 4](#)).

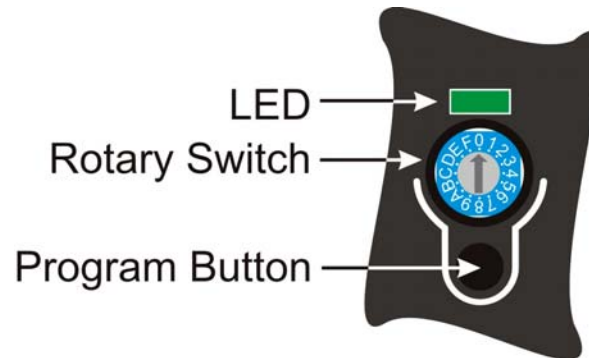
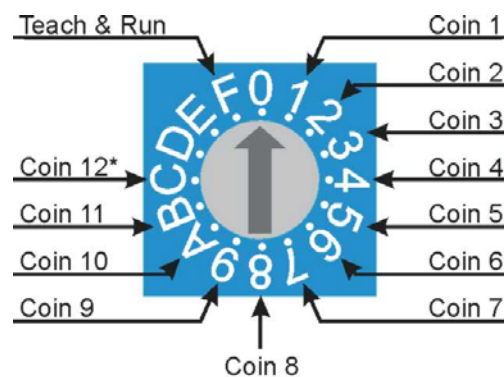


Figure 4: Rotary Switch v Coin Windows



*Accept Teach & Run Coin/Token

2. Press the push button (see [Figure 1](#)) on the Euro Toolkit.
3. All coins are inhibited and then the selected coin is enabled.
4. The Condor Plus LED will momentarily flash RED, then return GREEN to indicate successful coin enabling. The rotary switch should then be returned to '0', power switched off, and the Euro Toolkit disconnected.

5. Coin Teach

1. Turn the Condor Plus (CP) rotary switch to position F.
2. Depress the push button on the Euro Toolkit.
3. The LED will turn RED. The CP is now ready for teaching. Insert a minimum of 8 individual coins or tokens. The CP LED will flash GREEN when sufficient number of coins have been inserted.
4. The rotary switch should then be returned to '0', powered off and the Euro Toolkit disconnected. The coin/token has been taught AND Window 12 has been enabled.

This manual is intended only to assist the reader in the use of this product and therefore Money Controls shall not be liable for any loss or damage whatsoever arising from the use of any information or particulars in, or any incorrect use of the product. Money Controls reserve the right to change product specifications on any item without prior notice.