

ccTalk

PC Interface

User Manual

This document is the private unpublished property of Money Controls Ltd and may not be reproduced in part or in total by any means, electronic or otherwise, without the written permission of Money Controls Ltd. Money Controls Ltd does not accept liability for any errors or omissions contained within this document. Money Controls Ltd shall not incur any penalties arising out of the adherence to, interpretation of, or reliance on, this standard. Money Controls Ltd. reserves the right to amend, improve or change the product referred to within this document or the document itself at any time.

Contents

1. Diary of Changes	3
2. Introduction.....	4
3. ccTalk® PC Interface Contents.....	5
4. Installation.....	6
4.1 ccTalk® PC Interface connections.....	6
4.2 Multiple Products	7
4.21 ccTalk® PC interface multi drop expander.....	7
5. Spares	8

Figures

Figure 1: ccTalk® PC Interface layout	4
Figure 2: ccTalk® PC Interface 5-inch acceptor cable	5
Figure 3: ccTalk® PC Interface 3-inch acceptor cable	5
Figure 4: ccTalk® PC Interface serial comms cable	5
Figure 5: ccTalk® PC Interface connections (e.g. SR3).....	6
Figure 6: ccTalk® PC Interface multi-drop expander	7

1. Diary of Changes

Issue 1.0.....	June 2002
➤ 1 st Issue	
Issue 1.1.....	May 2003
➤ Amended	

2. Introduction

ccTalk® PC Interface has been developed to enable users to communicate with the following products:-

- SR5
- SR5R
- SR3
- Condor Plus
- C435S
- Serial Compact Hopper
- Serial Universal Hopper

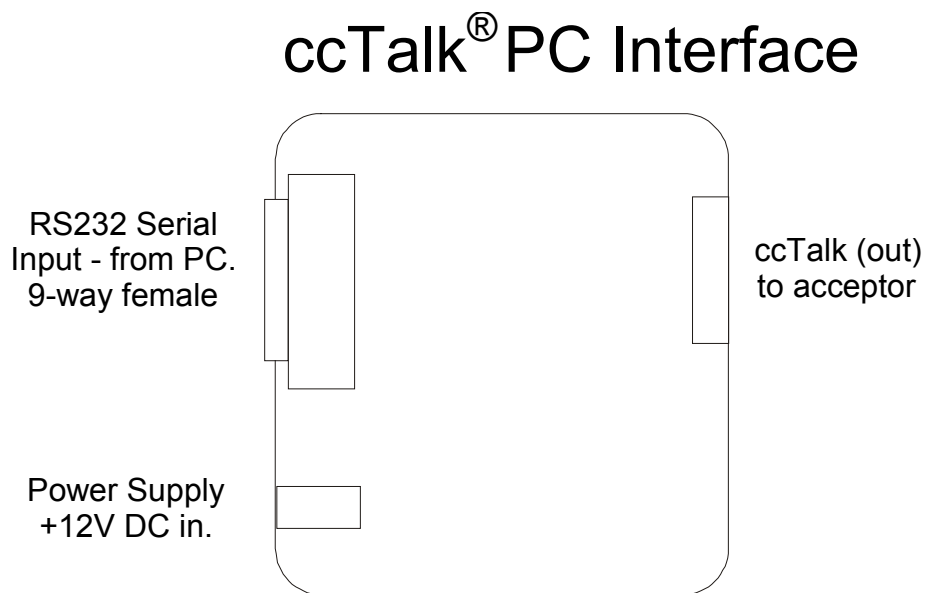


Figure 1: ccTalk® PC Interface layout

3. ccTalk® PC Interface Contents

The ccTalk® PC Interface kit consists of the following items: -

1 x ccTalk® PC Interface box.

1 x **ccTalk® PC Interface pod**. (See Figure 1)

1 x SR5 / C435S / Lumina cable (see Figure 2).

1 x SR3 / Condor Plus cable. (See Figure 3).

1 x 9 pin 'D' type cable - female to female. (See Figure 4).

1 x Power cables (red and black).

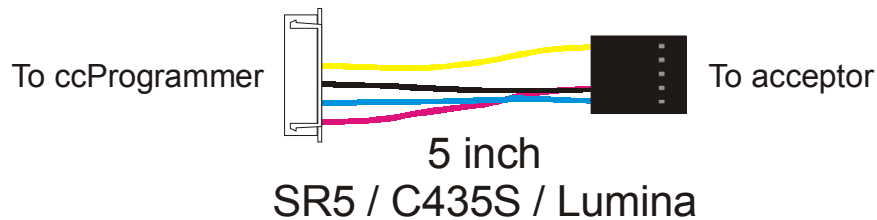


Figure 2: **ccTalk® PC Interface 5-inch acceptor cable**

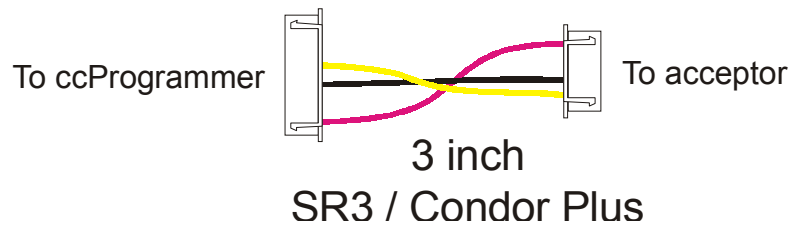


Figure 3: **ccTalk® PC Interface 3-inch acceptor cable**

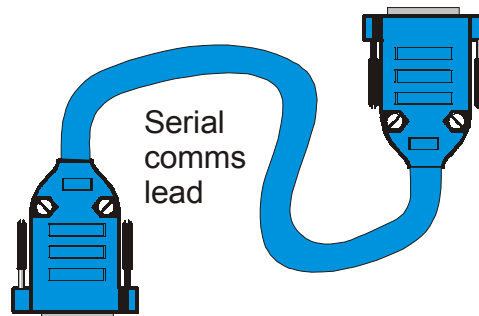


Figure 4: **ccTalk® PC Interface serial comms cable**

4. Installation

4.1 ccTalk® PC Interface connections

Refer to Figure 5

1. Connect one end of the 9 way 'D' type connector to a free serial port on the computer.
2. Connect the **ccTalk® PC Interface** pod to the other end of the cable.
3. Connect the red and black power cables to a 12V 1A (min) power supply. (Preferably a 3A-power supply should be used).
4. Connect the DC connector to the **ccTalk® PC Interface** pod.
5. Connect a product cable, 3 inch or 5 inch, from the **ccTalk® PC Interface** pod to the relevant product.
6. Switch on the power supply ensure the product is ON.

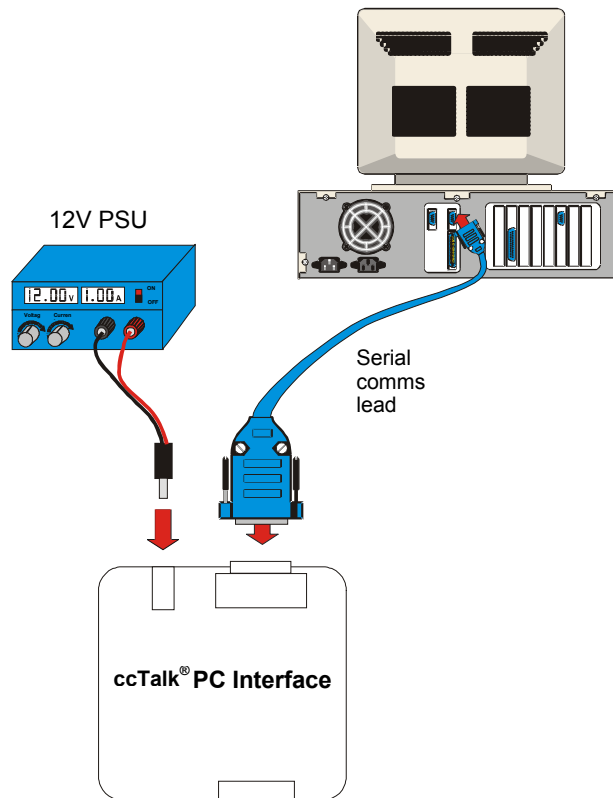


Figure 5: **ccTalk® PC Interface** connections (e.g. SR3)

4.2 Multiple Products

ccTalk® allows the user to connect more than one product to the ccTalk® bus or even more than one type of product (coin acceptor / coin hopper / note acceptor etc).

4.21 CCTALK® PC INTERFACE MULTI DROP EXPANDER

The multi drop expander allows up to 8 products to be connected to ccTalk® PC Interface simultaneously.

The expander is connected to the ccTalk® PC Interface in the same way a product would be. The products are then individually connected to the expander.

Notes:- Any number of products between 1 and 8 can be connected.

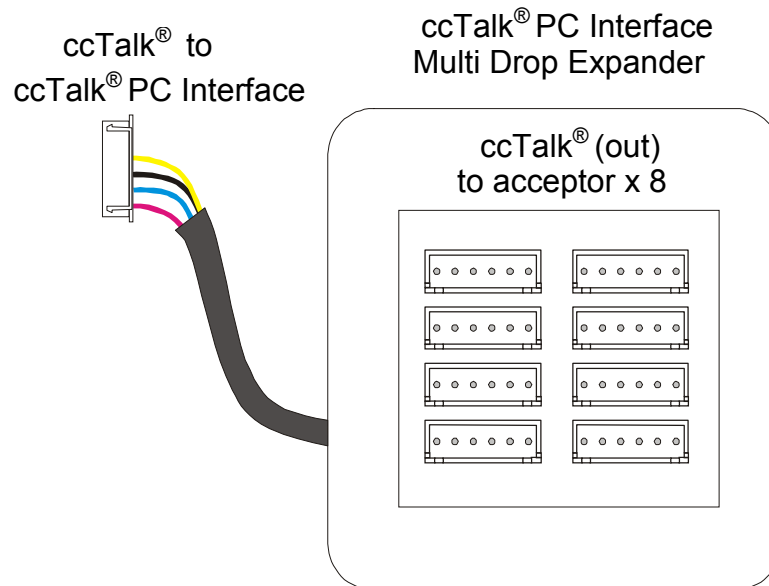


Figure 6: ccTalk® PC Interface multi-drop expander

5. Spares

This section is used to enable the user to order spares and replacement parts if needed.

Description	Part Number
ccTalk® PC Interface kit	APCINTXX00001
ccTalk® PC Interface multi-drop expander	SASRLAXX00008
1 x SR5 / C435S / Lumina cable	SASRLAXX00002
1 x SR3 / Condor Plus cable.	SASRLAXX00001
1 x 9 pin 'D' type cable - female to female	SASRLAXX00010
1 x Power cables (red and black).	SASRLAXX00009

Please order any spares quoting part number and quantity required.

This manual is intended only to assist the reader in the use of this product and therefore Money Controls shall not be liable for any loss or damage whatsoever arising from the use of any information or particulars in, or any incorrect use of the product. Money Controls reserve the right to change product specifications on any item without prior notice