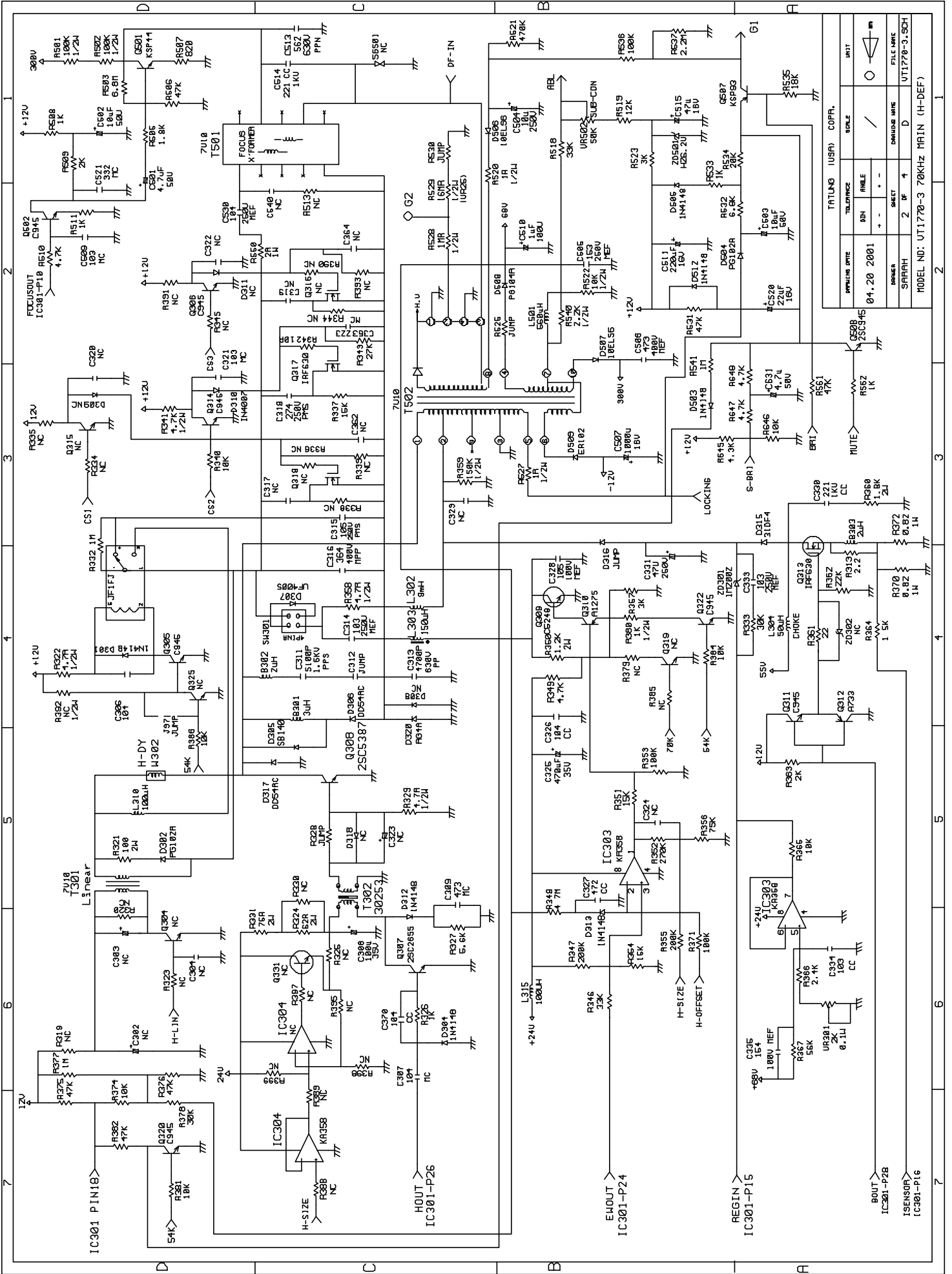


TRCT SH FUNCTION
SH102 POWER ON/OFF
SH603 " " " "
SH604 " " " "
SH605 " " " "
SH606 " " " "
SH607 OSD/ENTER
SH608 DEGRAUSS

CONTROL DEFINE	
R666	R667
HHEEL	NC
KB2	1K Ω
KB1	NC

TATUNG (USA) COPPA.	
PRINTING DATE	01.20 2001
PRINTING TIME	11:48
SHEET	1 OF 4
MODEL NO:	VT11770-1 70kHz MAIN (uP, HAV Processor)



PARTIAL DATE		TOLERANCE		SCALE		UNIT	
04.20.2001	---	---	---	---	---	---	---
DESIGNER	DATE	SHEET	OF	OF	OF	OF	OF
SARAH	2	DF	1	D	D	D	D
MODEL NO: UT1770-3 70KHZ MAIN (H-DEF)							

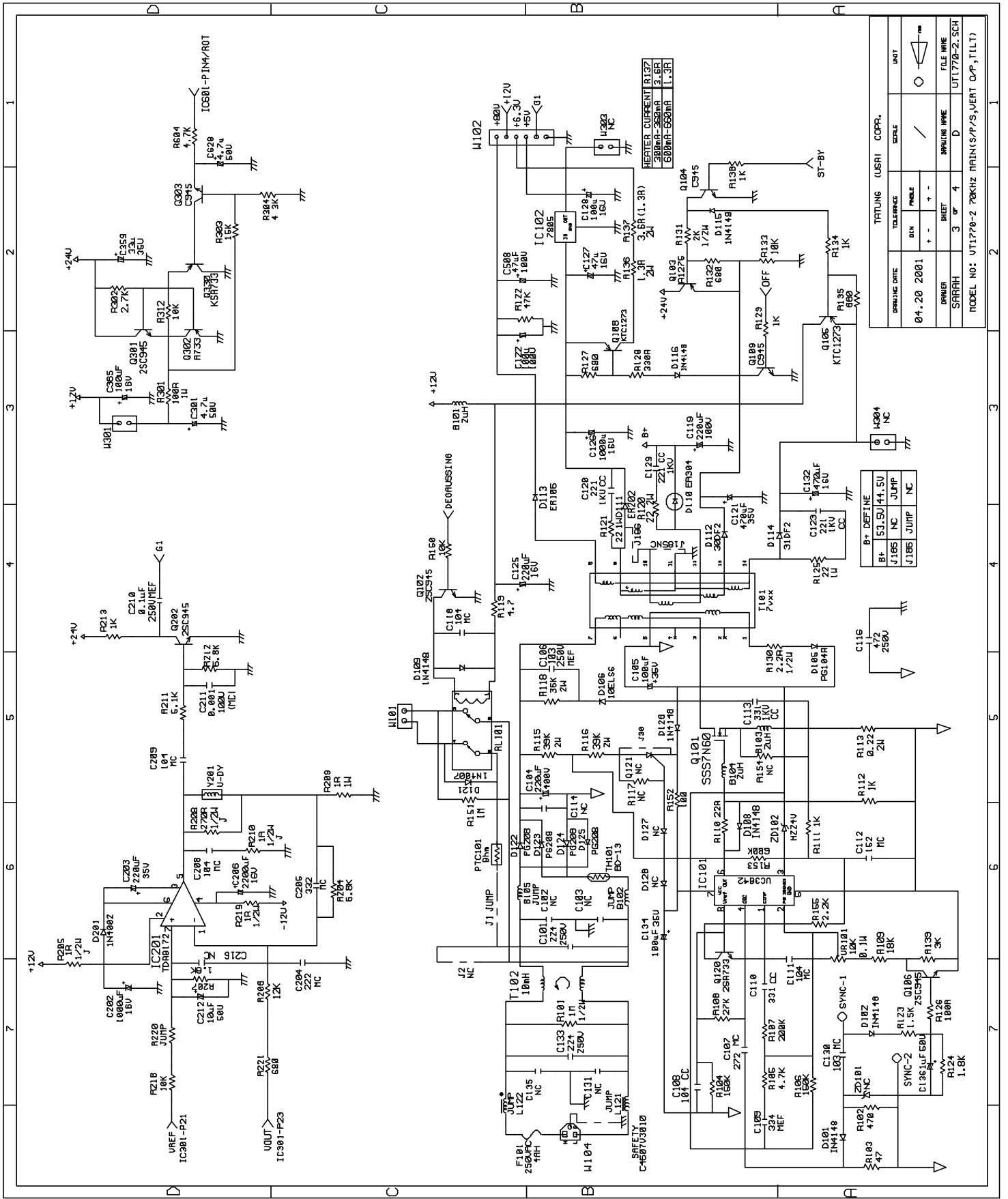
TUNING EYE		TUNING I (U5R) COPPL.	
---	---	---	---
DESIGNER	DATE	SHEET	OF
SARAH	2	DF	1
MODEL NO: UT1770-3 70KHZ MAIN (H-DEF)			

MUTE		LOCKING	
---	---	---	---
DESIGNER	DATE	SHEET	OF
SARAH	2	DF	1
MODEL NO: UT1770-3 70KHZ MAIN (H-DEF)			

H-DY		H-SIZE	
---	---	---	---
DESIGNER	DATE	SHEET	OF
SARAH	2	DF	1
MODEL NO: UT1770-3 70KHZ MAIN (H-DEF)			

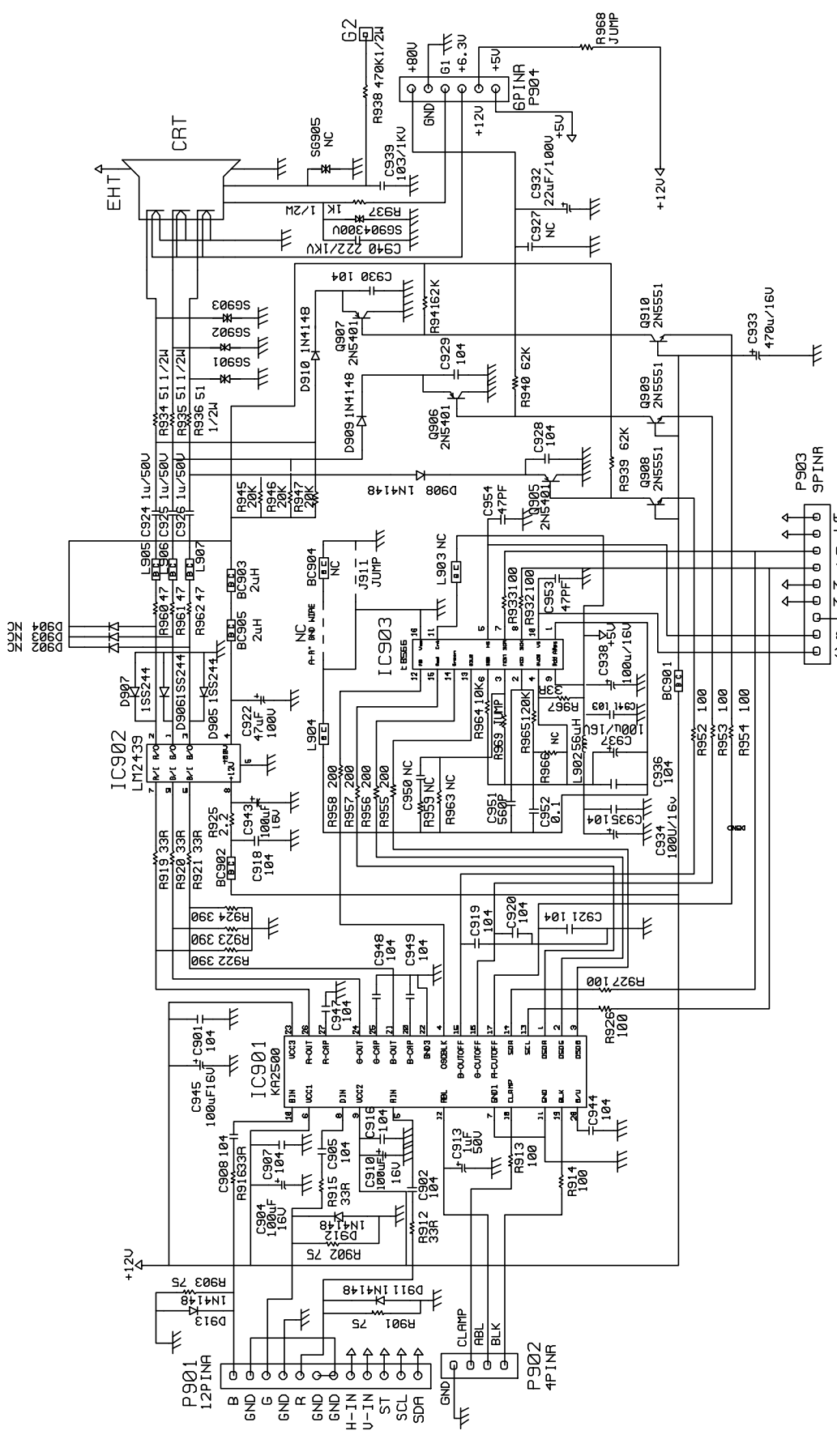
H-LIN		H-OFFSET	
---	---	---	---
DESIGNER	DATE	SHEET	OF
SARAH	2	DF	1
MODEL NO: UT1770-3 70KHZ MAIN (H-DEF)			

H-SIZE		H-OFFSET	
---	---	---	---
DESIGNER	DATE	SHEET	OF
SARAH	2	DF	1
MODEL NO: UT1770-3 70KHZ MAIN (H-DEF)			



DRAWING DATE		TOLERANCE		SCALE		UNIT	
04.20	2001	DIN	PRECISE	/			mm
DRAWER		SHEET		DRAWING NAME		FILE NAME	
SARAH		3 OF 4		PARTIAL NAME		UT1770-2.SCH	
MODEL NO: UT1770-2 70KHZ MAIN(S/P/S),VERT O.P.,ILT1							

PARTUNG (USRI) COPR.	
B+	DEFINE
B-	53.5U/41.5U
J105	JUMP
J106	JUMP
J107	JUMP
J108	JUMP
J109	JUMP
J110	JUMP
J111	JUMP
J112	JUMP
J113	JUMP
J114	JUMP
J115	JUMP
J116	JUMP
J117	JUMP
J118	JUMP
J119	JUMP
J120	JUMP
J121	JUMP
J122	JUMP
J123	JUMP
J124	JUMP
J125	JUMP
J126	JUMP
J127	JUMP
J128	JUMP
J129	JUMP
J130	JUMP
J131	JUMP
J132	JUMP
J133	JUMP
J134	JUMP
J135	JUMP
J136	JUMP
J137	JUMP
J138	JUMP
J139	JUMP
J140	JUMP
J141	JUMP
J142	JUMP
J143	JUMP
J144	JUMP
J145	JUMP
J146	JUMP
J147	JUMP
J148	JUMP
J149	JUMP
J150	JUMP
J151	JUMP
J152	JUMP
J153	JUMP
J154	JUMP
J155	JUMP
J156	JUMP
J157	JUMP
J158	JUMP
J159	JUMP
J160	JUMP
J161	JUMP
J162	JUMP
J163	JUMP
J164	JUMP
J165	JUMP
J166	JUMP
J167	JUMP
J168	JUMP
J169	JUMP
J170	JUMP
J171	JUMP
J172	JUMP
J173	JUMP
J174	JUMP
J175	JUMP
J176	JUMP
J177	JUMP
J178	JUMP
J179	JUMP
J180	JUMP
J181	JUMP
J182	JUMP
J183	JUMP
J184	JUMP
J185	JUMP
J186	JUMP
J187	JUMP
J188	JUMP
J189	JUMP
J190	JUMP
J191	JUMP
J192	JUMP
J193	JUMP
J194	JUMP
J195	JUMP
J196	JUMP
J197	JUMP
J198	JUMP
J199	JUMP
J200	JUMP



TATUNG (USA) COPPA.			
DRAWING DATE	TOLERANCE	SCALE	UNIT
04.20 2001	DIN	ANGLE	mm
DRAWER	DIN	ANGLE	mm
C.S	+	-	
SHEET	4	OF	4
DRAWING NAME	D		
MODEL NO:	VT1770-4	70KHZ NECK (VIDEO)	