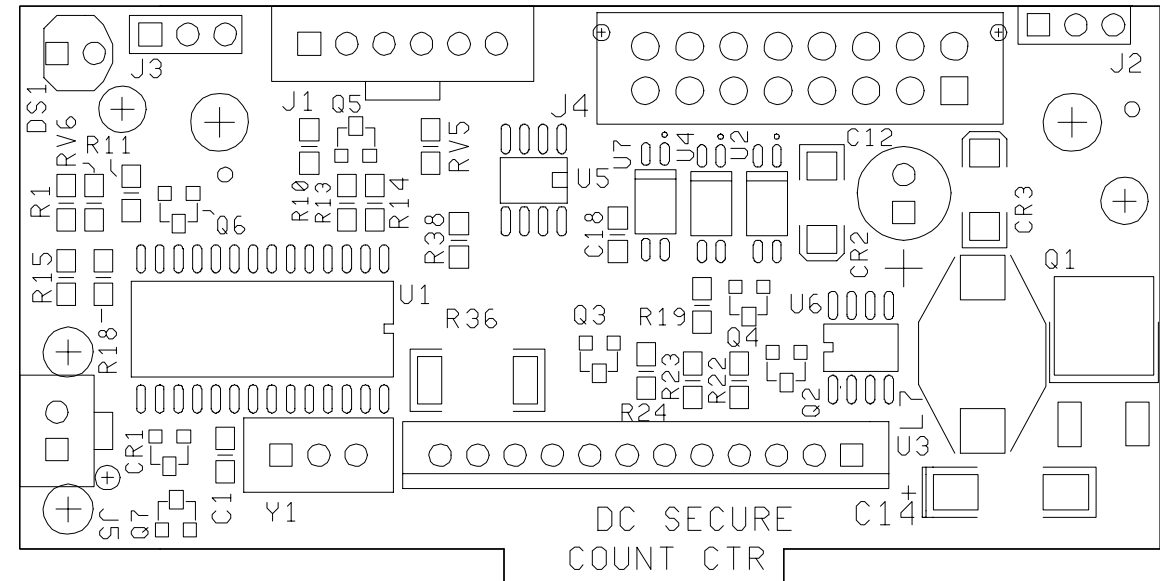
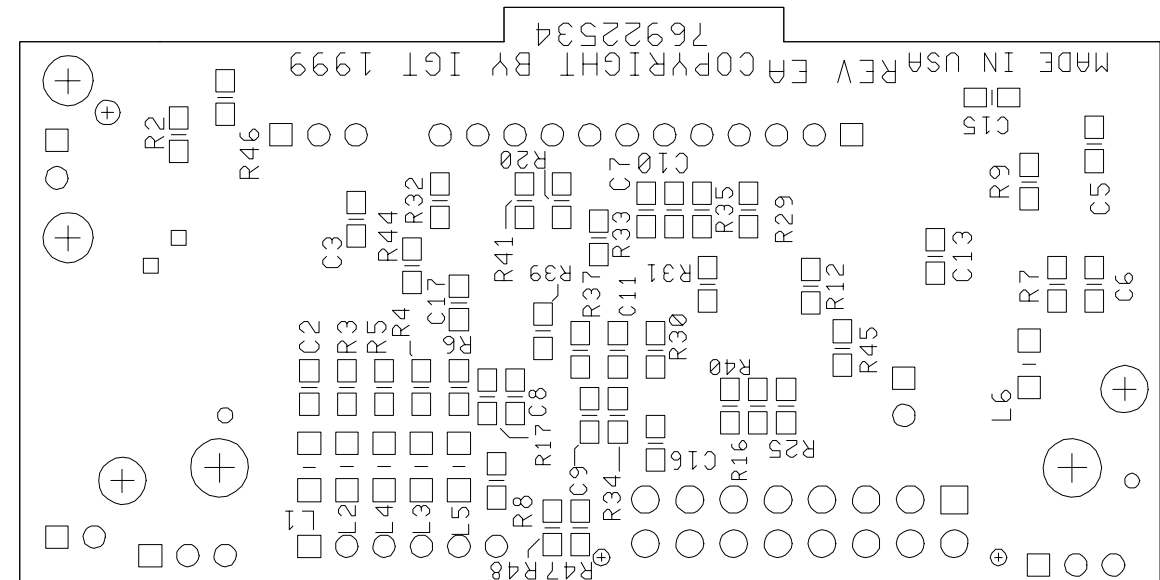


Component	Description	Part Number
REF SCHEMATIC	BOARD, DC, HOPPER SECURE COUNT CONTROLLER, REV A	769 225 14
REF RAW	BOARD, DC, HOPPER SECURE COUNT CONTROLLER, REV A	769 225 34
REF DRAWING	BOARD, DC, HOPPER SECURE COUNT CONTROLLER, REV A	769 225 54
REF SUB ASSEMBLY/LIST	BOARD, DC, HOPPER SECURE COUNT CONTROLLER, REV A	769 225 44
REF J2	JUMPER, 2 PIN, .100	639 027 90
C1-3,5-9,11,13,15-17	CAPACITOR, CERAMIC, SMT, .1UF, 50V, 0805, T/R	152 134 91
C10	CAPACITOR, 1000PF, 5%, 50V+, 0805	152 221 91
C12	CAPACITOR, ELEC, RAD, 33 MF, 50V, 6.3X11	156 074 90
C14	CAPACITOR, TANT, 68UF,10%, SMT	154 192 90
C18	CAPACITOR, CERAMIC, .22UF, 10%, 10V, X7R, 0805	152 232 91
CR1	DIODE, 1N914, SOT-23, T/R	480 082 91
CR2	DIODE, SHKY, 40V, 1A, SMT, SMB	480 113 91
CR3	DIODE, ZENER, 36V, 3W, SMB, SMT	480 112 91
DS1	EMITTER, LED, GRN, STR, T1	371 020 90
J1	CONNECTOR, HDR, 6PIN, STR, SHROUD, SL	211 058 90
J2-3	WAFER, STRIP, 3PIN	219 354 90
J4	HDR, 8X2, 3.0MM, STR, W/PEGS	211 400 90
J5	CONNECTOR, HDR, 2PIN, STR, SHROUD, SL	211 049 90
L1-6	CORE, FERRITE BD, 1206, SMT	180 045 90
L7	INDUCTOR, PWR, FERR, 330UH, SMT	187 008 90
Q1	XSTR, PCHNL, 50V, 12A, SMT	481 106 91
Q2,3,5-7	XTR, FET, N-CHANNEL, IRLML2402	481 104 91
Q4	XSTR, FET, P-CHAN, IRLML6302, SMT	481 007 91
R1,5,6	RESISTOR, 240, 5%, 0805, SMT	474 249 90
R2,8,10-13,18-20,24	RESISTOR, TFC, 10K OHM, .100W, 5%, 0805	474 156 91
R3,4,25,45	RESISTOR, TFC, 1K, 5%, .100W, 0805	474 227 91
R7,22	RESISTOR, TFC, 2.2K, OHM, .100W, 5%, 0805	474 154 91
R9,23	RESISTOR, 3.3K, 5%, .100W, 0805, SMT	474 173 91
R14-17	RESISTOR, 47K, 5%, .100W, 0805, SMT	474 178 91
R29-31,33,38,40,44,46-48	RESISTOR, TFC, 10K OHM, .100W, 5%, 0805	474 156 91
R32	RESISTOR, 3.0K, 5%, 0805	474 259 91
R34	RESISTOR, TFC, 4.7K OHM, .100W, 5%, 0805	474 160 91
R35	RESISTOR, 68K, 5%, 0805, SMT	474 224 91
R36	RESISTOR, 0.1, 5%, 1W, I-SEN, 2512	479 014 91
R37	RESISTOR, 150 OHM, 5%, .100W, 0805, SMT	474 181 91
R39	RESISTOR, TFC, 100 OHM, .100W, .5%, 0805	474 190 91
R41	RESISTOR, TFC, 3.9K, OHM, 5%, .10W, 0805	474 203 91
RV5-6	SUPPRESSOR, VOLTG, 18V, 30AMP, SMT, 0805	483 052 91
U1	CONTROLLER, DC, SECURE COUNT, 16C55, SMT	327 053 00
U2,4,7	OPTO, SNGL, PS2801-1, SMT	370 035 91
U3	IC, PWM MOTOR DRVE, A3952, SW	321 065 90
U5	IC, COMP, DUAL, LM393, SO-8, SMT	323 031 91
U6	IC, VOLTAGE REG, SWITCHING, 5V	322 005 90
Y1	RESONATOR, W/CAPS, 10MHZ	230 006 91



PRIMARY SIDE



SECONDARY SIDE