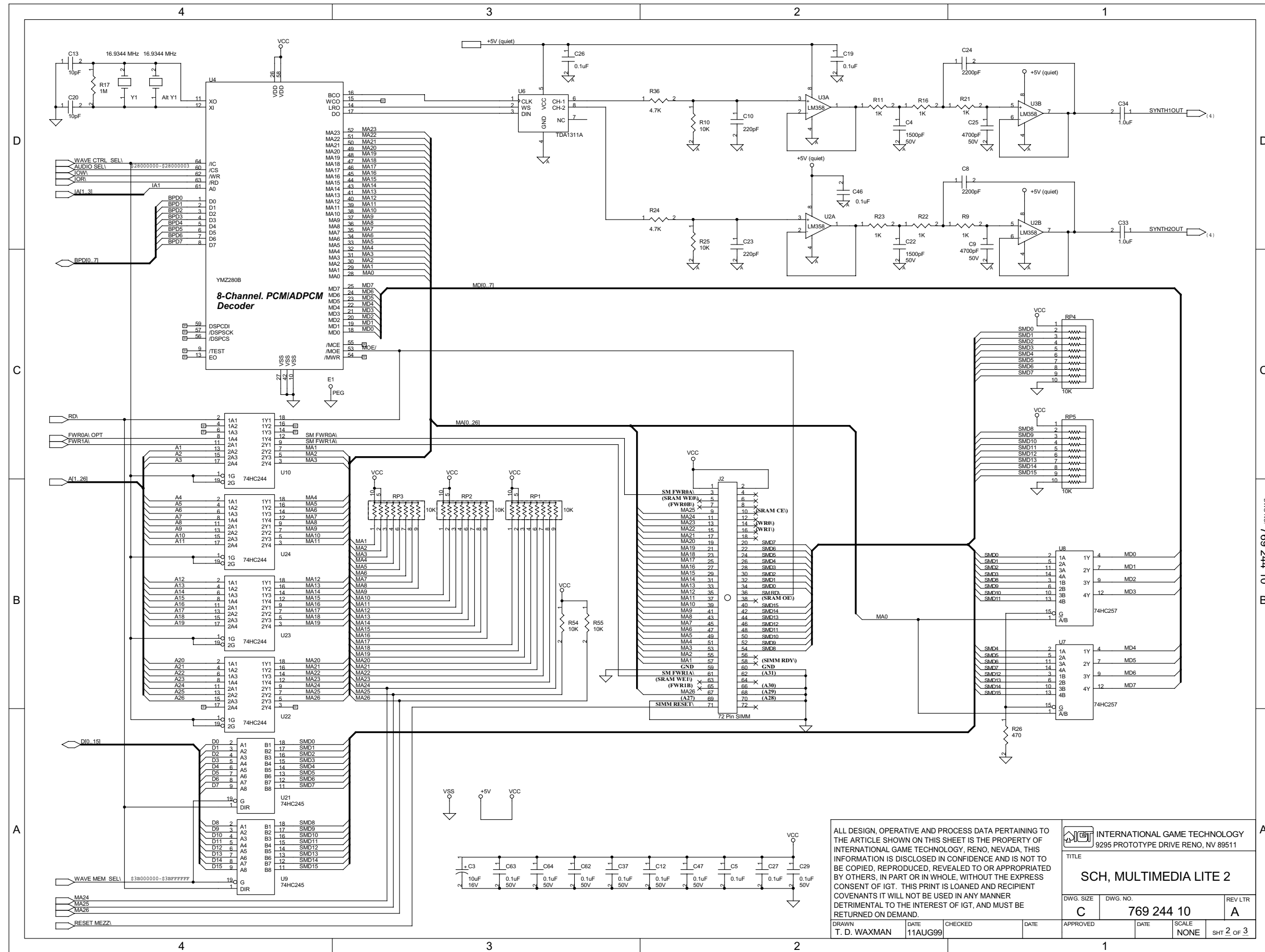


REVISIONS				
REV	ECO	DESCRIPTION	BY/DATE	CHK/DATE
EA		PROTOTYPE RELEASE		
EB		TOTAL REDESIGN		
EC		GROUNDING PINS 62,66-70 OF J2 AND FIXED MA25 ON PP2 ADDED RD1 TO HIERARCHAL BLOCK ADIO DECODER		
ED		REMOVED CLASS D AMPLIFIER, ADDED +5V REGULATOR, +12V REGULATOR, CLPD PACKAGE CHANGE & U16 PULL-DOWNS		
A	5137	PRODUCTION RELEASE	TDW/20OCT99	

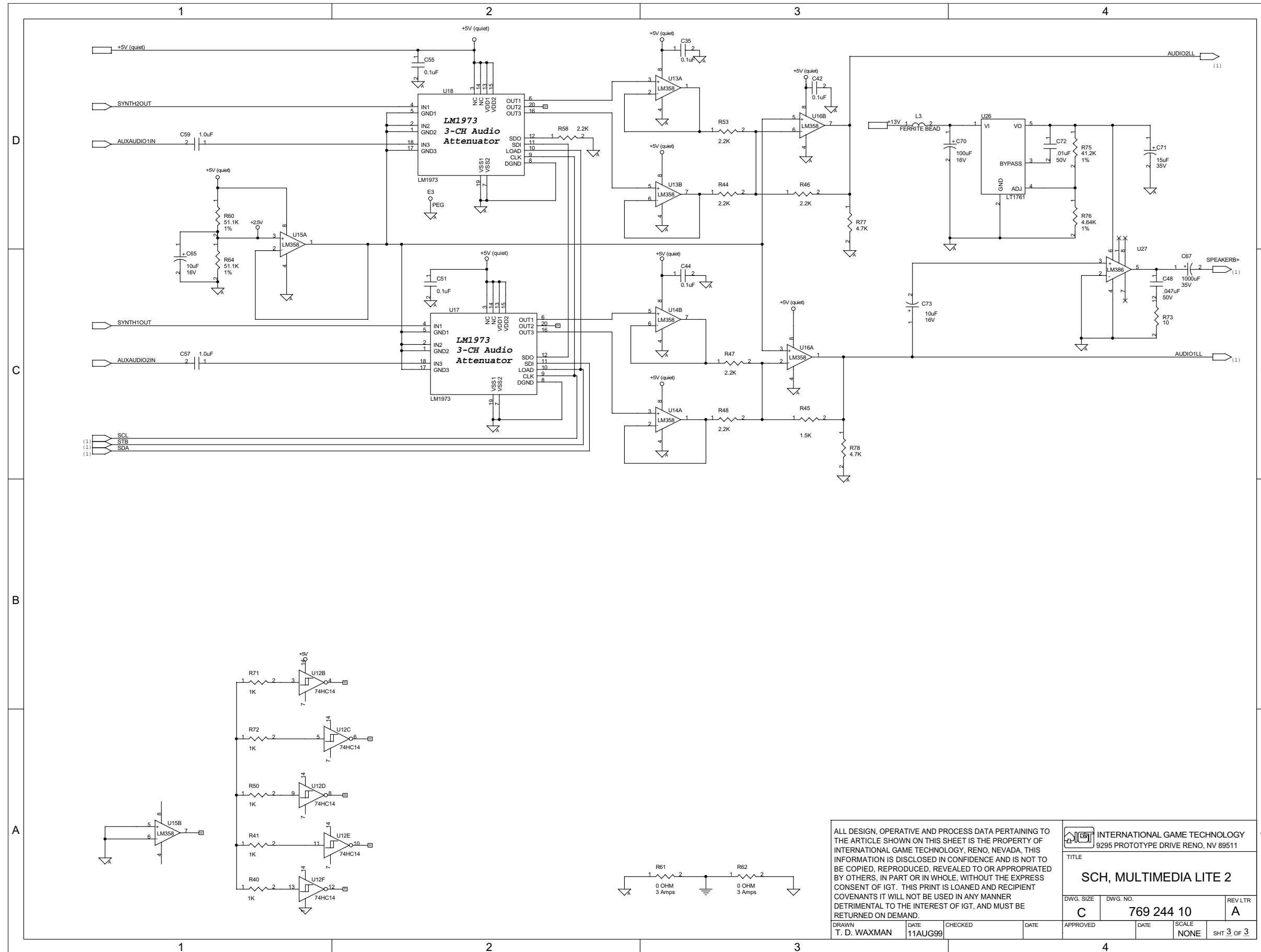
ALL DESIGN, OPERATIVE AND PROCESS DATA PERTAINING TO THE ARTICLE SHOWN ON THIS SHEET IS THE PROPERTY OF INTERNATIONAL GAME TECHNOLOGY, RENO, NEVADA, THIS INFORMATION IS DISCLOSED IN CONFIDENCE AND IS NOT TO BE COPIED, REPRODUCED, REVEALED TO OR APPROPRIATED BY OTHERS, IN PART OR IN WHOLE, WITHOUT THE EXPRESS CONSENT OF IGT. THIS PRINT IS LOANED AND RECIPIENT COVENANTS IT WILL NOT BE USED IN ANY MANNER DETRIMENTAL TO THE INTEREST OF IGT, AND MUST BE RETURNED ON DEMAND.

INTERNATIONAL GAME TECHNOLOGY 9295 PROTOTYPE DRIVE RENO, NV 89511			
TITLE			
SCH, MULTIMEDIA LITE 2			
DWG. SIZE	DWG. NO.	REV LTR	
C	769 244 10	A	
DRAWN	DATE	CHECKED	DATE
T. D. WAXMAN	11AUG99		
APPROVED	DATE	SCALE	SHT 1 OF 3
		NONE	



ALL DESIGN, OPERATIVE AND PROCESS DATA PERTAINING TO THE ARTICLE SHOWN ON THIS SHEET IS THE PROPERTY OF INTERNATIONAL GAME TECHNOLOGY, RENO, NEVADA. THIS INFORMATION IS DISCLOSED IN CONFIDENCE AND IS NOT TO BE COPIED, REPRODUCED, REVEALED TO OR APPROPRIATED BY OTHERS, IN PART OR IN WHOLE, WITHOUT THE EXPRESS CONSENT OF IGT. THIS PRINT IS LOANED AND RECIPIENT COVENANTS IT WILL NOT BE USED IN ANY MANNER DETRIMENTAL TO THE INTEREST OF IGT, AND MUST BE RETURNED ON DEMAND.

INTERNATIONAL GAME TECHNOLOGY 9295 PROTOTYPE DRIVE RENO, NV 89511	
TITLE SCH, MULTIMEDIA LITE 2	
DWG. SIZE C	DWG. NO. 769 244 10
APPROVED	REV LTR A
DATE	SCALE NONE
DATE	SHT 2 OF 3



ALL DESIGN, OPERATIVE AND PROCESS DATA PERTAINING TO THE ARTICLE SHOWN ON THIS SHEET IS THE PROPERTY OF INTERNATIONAL GAME TECHNOLOGY, RENO, NEVADA, THIS INFORMATION IS DISCLOSED IN CONFIDENCE AND IS NOT TO BE COPIED, REPRODUCED, REVEALED TO OR APPROPRIATED BY OTHERS, IN PART OR IN WHOLE, WITHOUT THE EXPRESS CONSENT OF IGT. THIS PRINT IS LOANED AND RECIPIENT COVENANTS IT WILL NOT BE USED IN ANY MANNER DETRIMENTAL TO THE INTEREST OF IGT, AND MUST BE RETURNED ON DEMAND.

INTERNATIONAL GAME TECHNOLOGY 9295 PROTOTYPE DRIVE RENO, NV 89511			
TITLE SCH, MULTIMEDIA LITE 2			
DWG. SIZE C	DWG. NO. 769 244 10	REV LTR A	
DRAWN T. D. WAXMAN	DATE 11AUG99	CHECKED	DATE
APPROVED	DATE	SCALE NONE	SHT 3 OF 3