

4

3

820 387 11

1

REVISIONS

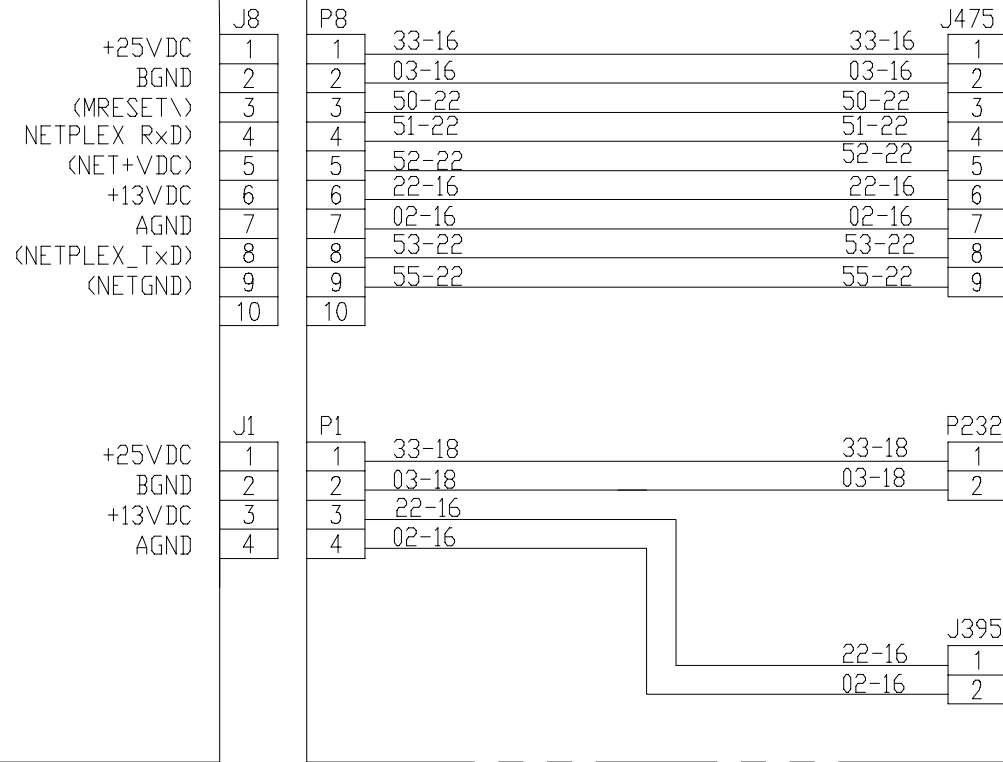
REV	ECO	DESCRIPTION	BY/DATE	CHK/DATE
EA		PROTOTYPE	DLE/13SEPT99	
EB		CORRECTED RxD & TxD SIGNALS.	DLE/20SEPT99	
A	4982	PRODUCTION RELEASE	DLE/08OCT99	DJS/18OCT99
B	5123	IS: P/N 607 134 02 WAS: P/N 607 134 00. IS: P/N 607 134 03 WAS: P/N 607 134 01.	DLE/06DEC99	DJS/13DEC99
C	11209	ZN:C-4 ADDED P/N 758 032 0X. ADDED REFERENCES.	DLE/15JAN01	

P/N 607 134 02
HARN,RD TP DB-DB 17" UPRT

P/N 607 134 03
HARN,SQ TP DB-BD 17" UPRT

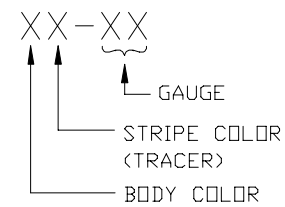
P/N 758 029 0X
PCB,TOP BOX PWR DIS

P/N 758 032 0X
PCB,TOP BOX PWR DIS V2



+25VDC BGND (MRESET\ NETPLEX RxD (NET+VDC +13VDC AGND (NETPLEX_TxD (NETGND)	P475 REFERENCE DIAGRAM WIRING CABINET 17" VIDEO	P475 REFERENCE DIAGRAM WIRING CABINET 19 GK+	P475 REFERENCE DIAGRAM WIRING CAB-TP BX 19 GK+
+25VDC BGND +13VDC AGND	J232 REFERENCE DIAGRAM WIRING CABINET 17" VIDEO	J232 REFERENCE DIAGRAM WIRING CABINET 19 GK+	J232 REFERENCE DIAGRAM WIRING CAB-TP BX 19 GK+
+13VDC AGND	J395 REFERENCE DIAGRAM WIRING CABINET 17" VIDEO	J395 REFERENCE DIAGRAM WIRING CABINET 19 GK+	J395 REFERENCE DIAGRAM WIRING CAB-TP BX 19 GK+

WIRING IDENTIFICATION



COLOR CODE
0-BLACK
1-BROWN
2-RED
3-ORANGE
4-YELLOW
5-GREEN
6-BLUE
7-VIOLET
8-GREY
9-WHITE

ALL DESIGN, OPERATIVE AND PROCESS DATA PERTAINING TO THE ARTICLE SHOWN ON THIS SHEET IS THE PROPERTY OF INTERNATIONAL GAME TECHNOLOGY, RENO, NEVADA. THIS INFORMATION IS DISCLOSED IN CONFIDENCE AND IS NOT TO BE COPIED, REPRODUCED, REVEALED TO OR APPROPRIATED BY OTHERS, IN PART OR IN WHOLE, WITHOUT THE EXPRESS CONSENT OF IGT. THIS PRINT IS LOANED AND RECIPIENT COVENANTS IT WILL NOT BE USED IN ANY MANNER DETRIMENTAL TO THE INTEREST OF IGT, AND MUST BE RETURNED ON DEMAND.



TITLE
DIAGRAM, WIRING
T/B PD BD-BHD
17 UPRT

DWG. SIZE	DWG. NO.	REV LTR
B	820 387 11	C

DRAWN	DATE	CHECKED	DATE
DLE	13SEPT99	D.SCOVILL	18OCT99

APPRVD	DATE	SCALE	SHT
PMC	12OCT99	NONE	1 of 1