

4

3

2

1

REVISIONS

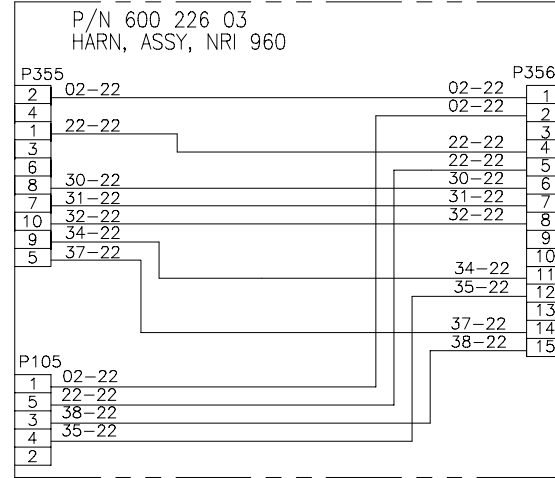
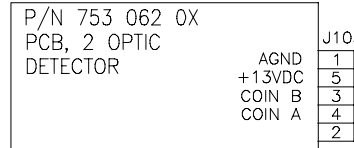
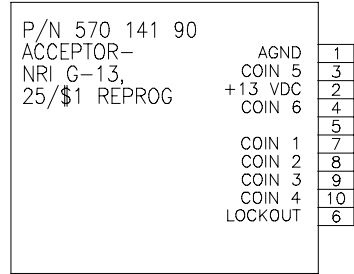
REV	ECO	DESCRIPTION	BY/DATE	CHK/DATE
EA		PROTOTYPE	DLE/11DEC98	
A	4890	PRODUCTION RELEASE	DLE/26JAN99	SAM/10MAR99
B	4931	CHG'D PINOUT ON P355, ADDED NOTE	LMT 06MAY99	

D

C

B

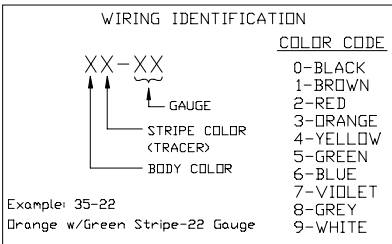
A



J356  
REFERENCE  
APPROPRIATE  
WIRING DIAGRAM

NOTE: BECAUSE P355 DOES NOT USE AN INTERIM CLIP PIN NUMBERING IN THE ACCEPTOR AND P355 DO NOT MATCH.

DWG. NO.  
820 490 12



COLOR	CODE
0	BLACK
1	BROWN
2	RED
3	ORANGE
4	YELLOW
5	GREEN
6	BLUE
7	VIOLET
8	GREY
9	WHITE

**IGT International Game Technology**  
9295 Prototype Drive Reno NV 89611, Phone: 702-448-7777

TITLE: DIAGRAM, WIRING  
NRI 960

DWG. SIZE: C      DWG. NO.: 820 490 12      REV LTR: B

DRAWN: DLE	DATE: 11DEC98	CHECKED: S.A.MARTIN	DATE: 10MAR99	APPRVD: P.LESTELLE	DATE: 15MAR99	SCALE: NONE	SHT: 1 of 1
------------	---------------	---------------------	---------------	--------------------	---------------	-------------	-------------