



540
MVP VIDEO
PARTS CATALOG

ARISTOCRAT TECHNOLOGIES, INC.
7160 Bermuda Road Suite 240
Las Vegas, NV 89119 USA
Phone: (800) 432-7767 (702) 952-4800 Fax: (702) 952-5240

Aristocrat Technologies Inc. 2001

The gaming machine described in this document may be covered by patents and registered designs. This document is not for use in countries where gaming machines are prohibited by law. Aristocrat Technologies reserves the right to change, without notice, the design, specifications or prices of the gaming machine parts covered by this document. Additional information is available from time to time in the form of technical bulletins.

CAUTION

All functions of the machine are controlled by complex electronics. Unqualified personnel must not interfere with any mechanisms or controls as this may permanently damage the machine and lead to expensive repairs or component replacement, and will render the warranty void.

The pictures depicted in this manual are for general description only and are not intended to be an accurate representation of the actual parts.

Offices

Parts Support – U.S.A. / Caribbean / South America

Contact your nearest Regional Office or Distributor

Corporate Office, USA

Aristocrat Technologies, Inc.
7160 Bermuda Road, Suite 240
Las Vegas, NV 89119
Tel: (800) 432-7767 (702) 952-4800 Fax: (702) 952-5240
Pats Orders: (800) 297-1144
Parts Support Fax: (702) 938-3614

Production/Operations, USA

Aristocrat Technologies, Inc.
3101 Marion Drive #107
N. Las Vegas, NV 89115
Tel: (702) 632-2301 Fax: (702) 643-6890

Sydney, Australia

Aristocrat Technologies Pty Ltd (CAN 001 660 715),
85-113 Dunning Avenue, Rosebery, NSW 2018, Australia.
Outside Australia Tel: 011 612 9697 4000
Fax: 011 612 9693 1340
Within Australia Tel: 02 9697 4000 Fax: 02 9693 1340

South America – Caribbean

Aristocrat Technologies, Inc.
1500 N.W. 79th Ave.
Miami, FL 33126
Tel: (888) 616-4264 (305) 594 2881 Fax: (305) 594 9022

Regional Offices, USA

New Jersey

Aristocrat Technologies, Inc.
651 S. Mill Rd.
Absecon, NJ 08201
Tel: (609) 407-9330 Fax: (609) 407-9331

Mississippi

Aristocrat Technologies, Inc.
308 HWY 90 Suite F
Waveland, MS 39576
Tel: (888) 446-4422 (228) 466-2673 Fax: (228) 466-2675

Colorado

Aristocrat Technologies, Inc.
700 Corporate Center, Suites G & H
Golden, CO 80401
Tel: (303) 278-8701 Fax: (303) 278-0974

Illinois

Aristocrat Technologies, Inc.
8522 W. 192nd St.
Mokena, IL 60448-8990
Tel: (877) 203-4256 (815) 464-0373 Fax: (815) 464-4418

USA Distributor (MN,WI,MI,ND,SD)

Hanson Distributing
9201 Penn Ave. South Suite 31
Bloomington, MN 55431
Tel: (800) 572-4263 (952) 884-6604 Fax: (952) 881-7960



ARISTOCRAT 540/500 MVP PARTS

CONTENTS

Ballasts	2
Bill Acceptors	4
Bill Entry	13
Bill Labels	13
Button Blanks	4
Button Panel	14
Buttons	2
Cams	17
Cash Box Chute	5
Casino Top 540	6
CCB	2
Chip Tray	5
Chop Top 500	9
Coin Comparator	14
Coin Entry	13
Coin Pawl	17
Coin Validator	14
Denomination Labels	17
Door Switch	2
Driver Board	2
Fluorescent Tube	2
Game Conversions	24, 25
Glass	11, 12
Hardware	26
Hinges	5
Hopper	16
Light Towers	1



ARISTOCRAT 540/500 MVP PARTS

CONTENTS

Low Boy Top 540	8
Main Power Switch	2
Manuals	22
Meters	1
Monitors	15
Notes	23
Player Tracking	20, 21
Power Cord	2
Power Supply	2
Printer	18
Processor Board	2
Round Top 500	10
Round Top 540	7
Solenoid	1
SPC PCB	19
SPC Plate	19
Speaker	17
Stackers	4
Starters	2

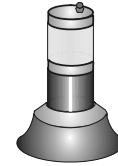


ARISTOCRAT 540/500 MVP PARTS

LIGHT TOWERS AND COMPONENTS

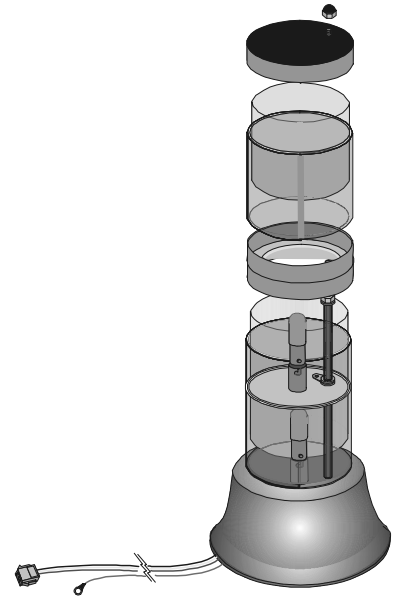
LIGHT TOWERS

PART NO.	DESCRIPTION	DENOM
L13074	Light Tower - 2 tier - 6" Brown/White - Chrome Finish	1c
L13075	Light Tower - 2 tier - 6" Pink/White - Chrome Finish	2c
564405-2	Light Tower - 2 tier - 6" Red/White - Chrome Finish	5c
564405-3	Light Tower - 2 tier - 6" Yellow/White - Chrome Finish	25c
564405-4	Light Tower - 2 tier - 6" Blue/White - Chrome Finish	\$1
L13201	Light Tower - 2 tier - 4" Brown/White - Chrome Finish	1c
L13203	Light Tower - 2 tier - 4" Red/White - Chrome Finish	5c
L13204	Light Tower - 2 tier - 4" Green/White - Chrome Finish	10c
L13205	Light Tower - 2 tier - 4" Yellow/White - Chrome Finish	25c

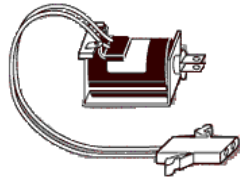


LIGHT TOWER COMPONENTS

PART NO.	DESCRIPTION	DENOM
L13007	Bushing insert - Red	5c
L13008	Bushing insert - Yellow	25c
L13009	Bushing insert - Green	10c
L13010	Bushing insert - Blue	\$
L13162	Bushing insert - Orange	50c
L13159	Bushing insert - Brown	1c
L13160	Bushing insert - Pink	2c
L13012	Bayonet Lamp	
L13214	Wedge Lamp, 28V	
561680	6W Mini-fit Jr. Connector	

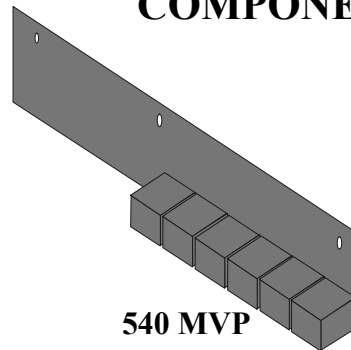


DIVERTOR SOLENOID PARTS



PART NO.	DESCRIPTION
565269	Coin divertor solenoid & optic loom
430806	Divertor Solenoid
564427	Solenoid Spring
564523	Split Pin, 2.0mm x 20mm

METER PCBS & COMPONENTS

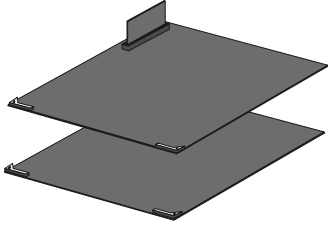


PART NO.	DESCRIPTION
410361	Meter PCBA, 540 MVP
430789	Meter, 7- digit, 500 MVP
566734	Meter Labels



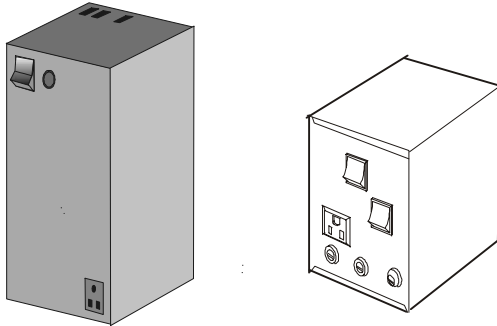
ARISTOCRAT 540/500 MVP PARTS

PROCESSOR, DRIVER & MISC PCBS



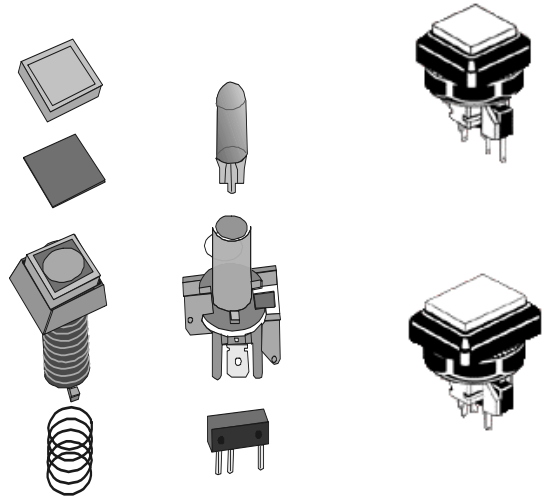
PART NO.	DESCRIPTION
410461	BOARD-MAIN PCB MK5 USA
410355	PCBA-I/O DRIVER MK5 SER II-GLI ONLY
410355-2	PCBA-I/O DRIVER MK5 SER II - ALL JURISDICTIONS
410291	PCBA-MKV CCB BA/BAL232/232
410351	PCBA, BACKPLANE, MKV

POWER SUPPLIES



PART NO.	DESCRIPTION
430947	Power Supply - 540MVP
564381-1	Power Supply -500MVP - 110V, w/o Ballast
564381-2	Power Supply -500MVP -220V, New w/o Ballast
564381-1B	Power Supply-500MVP -100V, w/ballast
567275-1	Ballast box Assy, 500- 110V
430809	PCBA Power Supply, 500-110V

PUSHBUTTON ASSEMBLY & COMPONENTS



540MVP

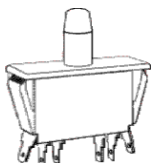
500MVP

PART NO.	DESCRIPTION
430990	Pushbutton Assembly, LG Square (540MVP)
L00526-3	Microswitch (for 430990, 430743 &430744)
L13064	Legend, White (for 430990)
L13063	Lens Cap, Clear, Lg Sq. (for 430990)
430743	Pushbutton , Rectangular Assy
430744	Pushbutton, Square, Sm, Assy
L00165	Lens Cap, Clear, Rect. (for 430743)
L13057	Lens Cap, Clear, Sm. Sq. (for 430744)
L00164	Legend, White, Rect. (for 430743)
L13058	Legend, White, Sq. (for430744)
L13161	Lampholder, Switch & lamp assembly (for 430743 & 430744)
L13170	Lamp, #85 wedge, 28V (for 430743 & 430744)
03447	Wedge lamp, 24V 3W (for 430990)



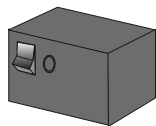
ARISTOCRAT 540/500 MVP PARTS

DOOR SWITCHES



PART NO.	DESCRIPTION
430795	Cherry Switch, E78-00A (540/500 Main door and drop door & 540 Belly door)
562888	Cherry Switch (500 Belly Door)

MAINS POWER SWITCH 540MVP CABINET



PART NO.	DESCRIPTION
565568	Main Power switch (540MVP only)

POWER CORDS



PART NO.	DESCRIPTION
560264	Power Cord, 6', 110V-UL
L13026	Power Cord, 10', 110V
50531	Power Cord, 6', 220V
L13100	Auxiliary Power Cord, 1'

FLUORESCENT SOCKETS, BALLASTS & STARTERS



PART NO.	DESCRIPTION
03404	Fluorescent Socket (500 MVP)
430567	Starter, FS-5 (500 MVP Belly Reflector panel)
430567-2	Starter, FS-2 (500 MVP Top Box)
430959	Fluorescent Ballast, 6W (540MVP Reflector Panel)
430946	Fluorescent Ballast, 15W (540MVP Top Box)
565130	Ballast Cover

FLUORESCENT TUBES

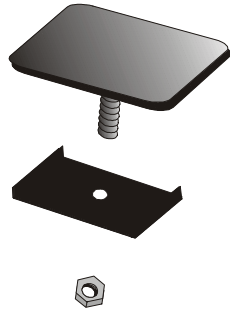


PART NO.	DESCRIPTION
03441	Fluorescent tube 15W – 18" F15T8 540 Top box
03451	Fluorescent tube 8W – 12" F8T5 540 & 500 Belly - Horz
03437	Fluorescent tube, 6W – 9" F6T5 500 Belly –Vert
18601	Fluorescent tube 14W - 15" F14T8/CW 500 Awards and Top box



ARISTOCRAT 540/500 MVP PARTS

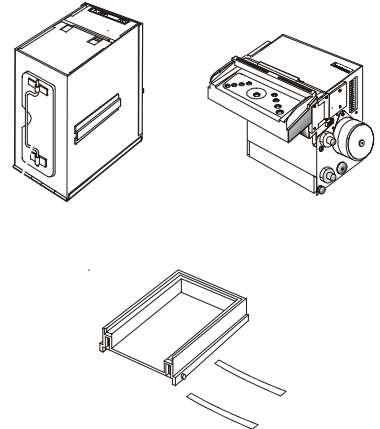
BUTTON PANEL BUTTON BLANKS



PART NO.	DESCRIPTION
564124-1	Button Blank, Sq. Chrome
564124-3	Button Blank, Sq. Black,
565078-1	Button Blank, Rect. Chrome
565078-3	Button Blank, Rect. Black
53364-1	Button Blank, Lg. Sq-MVP-Chrome
53364-3	Button Blank, Lg. Sq-MVP-Black
15545	Channel-Button blank retaining
51713	Nut KEP M5

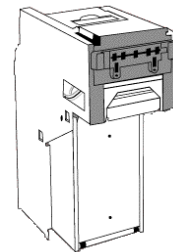
GPT BILL ACCEPTOR, STACKER & COMPONENTS

PART NO.	DESCRIPTION
CALL	GPT Bill Acceptor
L00454	SRC Stacker, STD
L00454-1	SRC Stacker, Dual Lock
L13092	SRC Stacker, Dual Lock, "Smart"
561737	Cradle base, SRC stacker
561725	Cradle base, Big Boy Stacker
561915	Spring, Cradle base
13054-11	GPT Stacker Cam
L00664	GPT Stacker Motor
L13422	4K Memory Chip for GPT stacker
L13147	GPT Stacker Optic
L13308	GPT RS Demo Tester



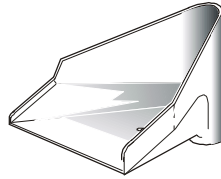
JCM WBA BILL ACCEPTOR, STACKER & COMPONENTS

PART NO.	DESCRIPTION
CALL	JCM-WBA12
CALL	JCM-WBA13
L13223	Stacker – JCM 058134
L13232	Bezel – JCM
L13261	Cam – JCM Stacker
L13301	PSU Assy. WBA I/F W/CBL Cable
AM-JCMT0100	Operator Manual – JCM WBA BACC



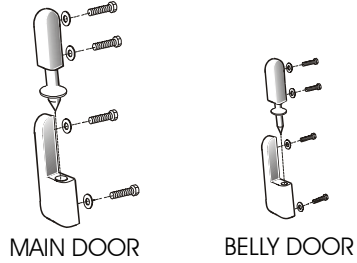
ARISTOCRAT 540/500 MVP PARTS

CASH BOX CHUTE



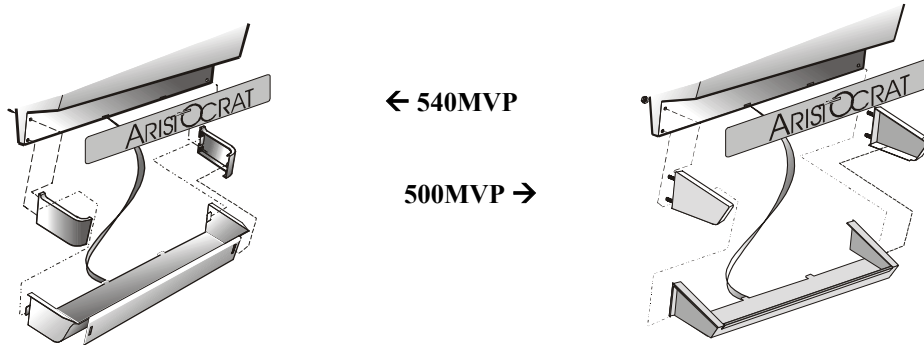
PART NO.	DESCRIPTION
561916	Cash box Funnel
563051	Screw M5 X 12

HINGES (540 & 540MVP)



PART NO.	DESCRIPTION
561954-1	Male Hinge, Main door
561953-1	Female Hinge, Main door
562070-1	Male Hinge, Belly door
562071-1	Female hinge, Belly door
563051	Screw, M5 X 12, Main door
564342	Screw, M4 X 8, Belly door
562079	Nylon washer, Main door
562065	Nylon washer, Belly door
03880	Lock washer, Belly door

CHIP TRAY COMPONENTS



540 MVP

PART NO.	DESCRIPTION
564850	Tray
564851	End Cap LH Chrome -21 Black -23
564851	End Cap RH Chrome -11 Black -13
263428-1	Label, 'ARISTOCRAT' Logo
02660	Screw, M5 X 12

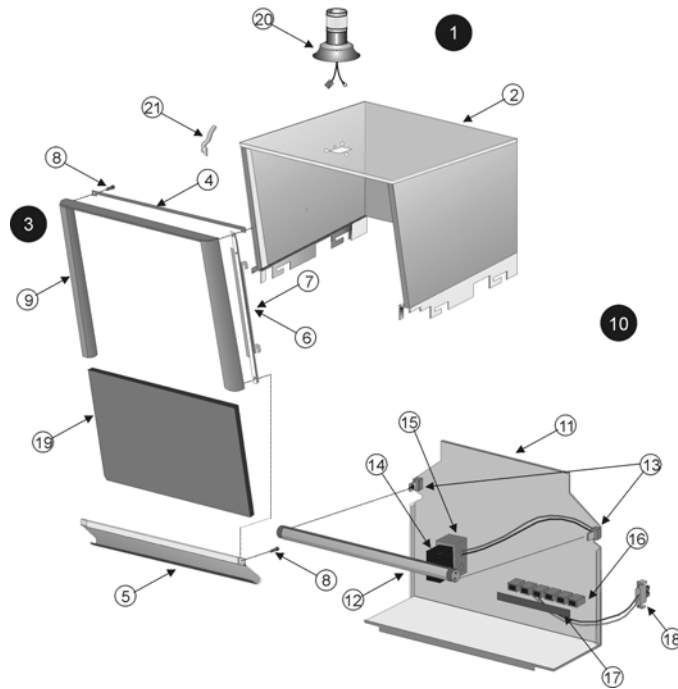
500 MVP

PART NO.	DESCRIPTION
564310	Tray
564245	End Cap LH Chrome -21
564245	End Cap RH Chrome -11
263428-1	Label, 'ARISTOCRAT' Logo
51713	Nut, KEP M5



ARISTOCRAT 540/500 MVP PARTS

540 MVP CASINO TOP BOX AND COMPONENTS

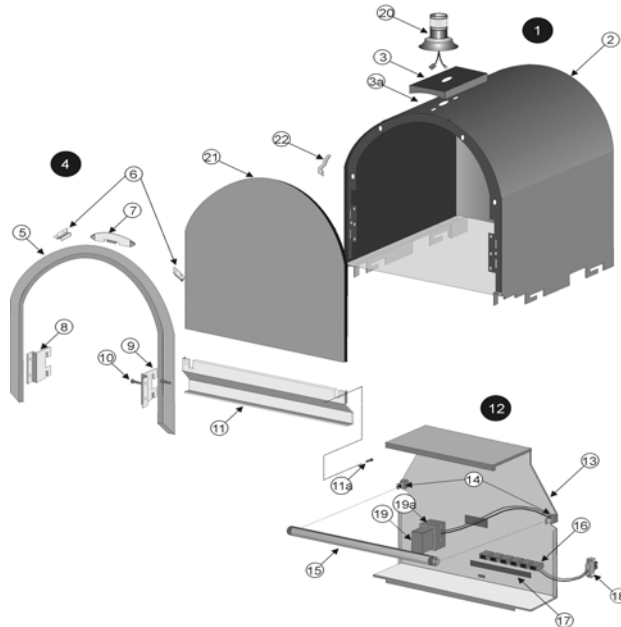


REF. NO.	DESCRIPTION	PART NO.
1	CASINO TOP BOX ASSEMBLY-CHROME	300183-2
1	CASINO TOP BOX ASSEMBLY-STEALTH	300183-3
2	TOP BOX (Body Only)	N/A
3	SURROUND ASSEMBLY (Items 4 thru 9)	565184-2
4	BRACKET (Top)	565185
5	BOTTOM TRIM (For all Player Tracking except SMS, EPI, & Mikohn)	569124-1
5a	BOTTOM TRIM (For SMS, EPI, & Mikohn)	569172-1
6	RIGHT BRACKET	565187-1
7	LEFT BRACKET	565187-2
8	SCREW, M5 X 12 TAPTITE	02660
9	SURROUND, SQUARE	565157-21
10	REFLECTOR ASSEMBLY	N/A
11	REFLECTOR PANEL	N/A
12	FLUORESCENT TUBE, 15 WATT	03441
13	LOOM, FLUORESCENT	565126
14	FLUORESCENT BALLAST, 15 WATT	430946
15	BALLAST COVER	565130
16	PULSE METER PCB ASSEMBLY	410361
17	LABELS, METER	566734
18	LOOM, METERS/LIGHT TOWER	565178
19	TOP GLASS	SEE GLASS LIST
20	LIGHT TOWER ASSEMBLY	SEE LIGHT TOWERS
21	EARTH SPRING	565266
-	ACTUATOR SPRING, METER BOX (Not Illustrated)	565116



ARISTOCRAT 540/500 MVP PARTS

540 MVP ROUND TOP BOX AND COMPONENTS

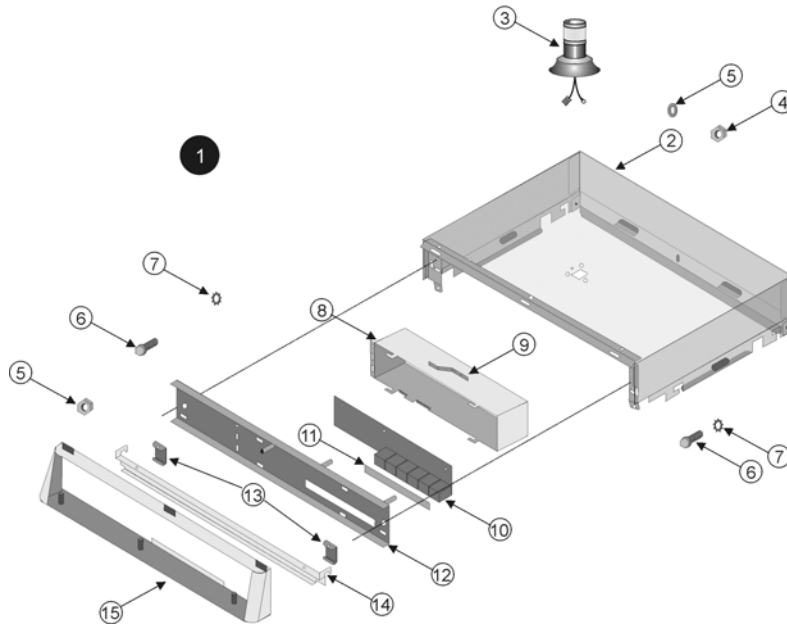


REF. NO.	DESCRIPTION	PART NUMBER
1	ROUND-TOP BOX ASSEMBLY – CHROME	569094-1
1	ROUND-TOP BOX ASSEMBLY – STEALTH	569094-3
2	ROUND-TOP BOX (Body Only)	N/A
3	BRACKET; LIGHT TOWER MOUNTING	563649
3a	NUT, HEX, M5 (Not Illustrated)	51713
4	SURROUND ASSEMBLY, ROUND-TOP, CHR	569216-1
4	SURROUND ASSEMBLY, ROUND-TOP, BLK	569216-3
5	SURROUND, ROUND-TOP	561789-21
6	BRACKET, SURROUND, GLASS RETAINER	563834
7	BRACKET, SURROUND, TOP	563648
8	BRACKET, SURROUND, BOTTOM LEFT	563639-2
9	BRACKET, SURROUND, BOTTOM RIGHT	563639-1
10	SCREW, SM #8 x 1/2, PAN HEAD	L13073
11	BOTTOM TRIM (For all PTM except SMS)	569137-21
11	BOTTOM TRIM (SMS Only)	569126
11a	SCREW, M5 x 12 TAPTITE, HEX HEAD	02660
12	REFLECTOR ASSEMBLY, ROUND-TOP	N/A
13	REFLECTOR PANEL, ROUND-TOP	N/A
14	LOOM, FLUORESCENT	565126
15	FLUORESCENT TUBE, 15w	03441
16	PULSE METER PCB ASSEMBLY	410361
17	LABEL, METERS	566734
18	LOOM, METERS/LIGHT TOWER	565178
19	FLUORESCENT BALLAST, 15w	430946
19a	BALLAST COVER	565130
20	LIGHT TOWER ASSEMBLY	SEE LIGHT TOWER
21	TOP GLASS	SEE GLASS
22	EARTH SPRING	565266
-	ACTUATOR SPRING, METER BOX (Not Illust.)	565116



ARISTOCRAT 540/500 MVP PARTS

540 MVP LOW BOY TOP BOX AND COMPONENTS

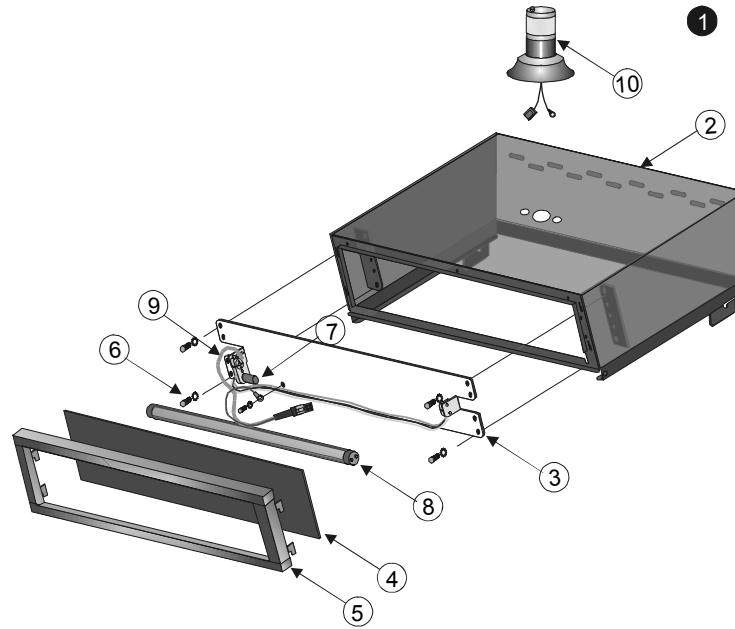


REF. NO.	DESCRIPTION	PART NUMBER
1	LOW BOY TOP BOX ASSEMBLY (All PTM Except Mikohn, SMS, and EPI)	571964-3
2	TOP BOX BODY	N/A
3	LIGHT TOWER ASSEMBLY	SEE LIGHT TOWERS
4	WASHER, FLAT 5mm	04009
5	NUT, M5 KEP, HEX	51713
6	SCREW, M5 X 12 TAPTITE	02660
7	EXT. STAR WASHER	L13411
8	COVER, METERS	N/A
9	ACTUATOR SPRING	565116
10	PCBA, METER	410361
11	LABEL, METER	566734
12	BRACKET, METER MOUNTING	N/A
13	MOUNTING CLIP	N/A
14	MOUNTING BRACKET (All PTM except Mikohn, SMS, & EPI)	N/A
15	FRONT PLATE	569182



ARISTOCRAT 540/500 MVP PARTS

500 MVP CHOP TOP BOX AND COMPONENTS

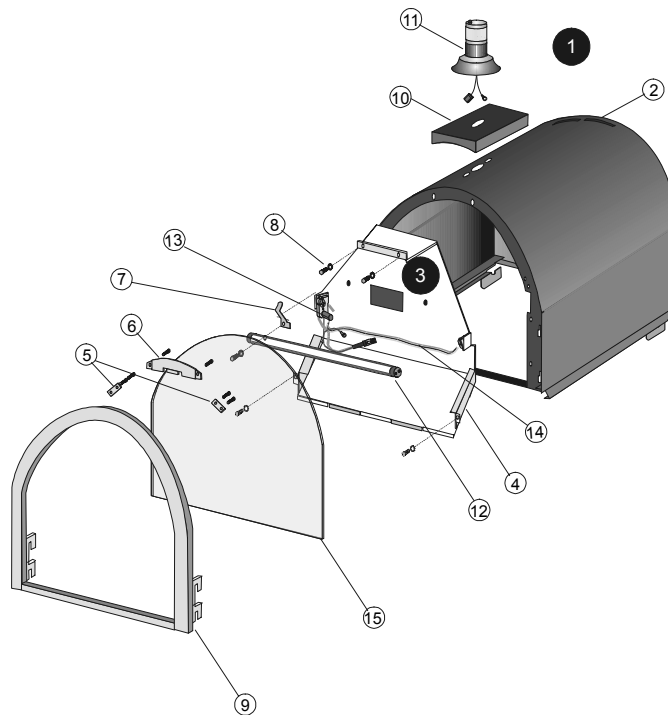


REF. NO.	DESCRIPTION	PART NUMBER
1	CHOP-TOP BOX ASSEMBLY, CHROME TRIM	569049-31
1	CHOP-TOP BOX ASSEMBLY, BLACK TRIM	569049-33
2	CHOP-TOP BOX (Body Only, Black)	N/A
3	REFLECTOR ASSEMBLY	N/A
4	CHOP-TOP GLASS	SEE GLASS LIST
4a	RUBBER BUSHING, GLASS RETAINER (Not Ill.)	L13045
5	BEZEL / TOP BOX TRIM, CHROME	569039-1
6	SCREW, M5 X 12	02660
6a	LOCKWASHER, 3/16	03880
7	STARTER, FS-2	430567-2
8	FLUORESCENT TUBE, F14T8	18601
9	LOOM ASSEMBLY, FLUORESCENT	564362
10	LIGHT TOWER ASSEMBLY	SEE LITE TOWERS



ARISTOCRAT 540/500 MVP PARTS

500 MVP ROUND TOP BOX AND COMPONENTS



REF. NO.	DESCRIPTION	PART NUMBER
1	ROUND-TOP BOX ASSEMBLY, CHROME TRIM	569220-1
1	ROUND-TOP BOX ASSEMBLY, BLACK TRIM	569220-3
2	ROUND-TOP BOX (Body Only, Black)	N/A
3	REFLECTOR ASSEMBLY	N/A
4	REFLECTOR, PANEL ONLY	N/A
5	BRACKET, GLASS RETAINER	N/A
6	BRACKET, SURROUND TOP	N/A
7	EARTH SPRING	565266
8	SCREW, M5 X 12	02660
8a	LOCKWASHER, 3/16	03880
9	SURROUND/BEZEL, CHROME	569269-1
9	SURROUND/BEZEL, BLACK	569269-3
10	BRACKET, LIGHT TOWER MOUNTING	569240-3
11	LIGHT TOWER ASSEMBLY	SEE LIGHT TOWERS LIST
12	FLUORESCENT TUBE, F14T8	18601
13	STARTER, FS-2	430567-2
14	LOOM ASSEMBLY, FLUORESCENT	564362
15	TOP GLASS	SEE GLASS



ARISTOCRAT 540/500 MVP PARTS

GLASS ART PANELS



PLEX ART WORK FOR
PLAYER TRACKING BLANK

540 MVP GLASS AND PANELS

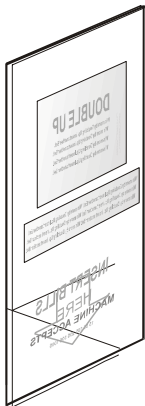
GAME NAME	CASINO TOP	ROUND TOP	BELLY GLASS	LOW BOY BELLY GLASS	PTM Plex Panels P/N
ARISTOCRAT	N/A	N/A	N/A	N/A	266158
Black Panther	267532	267529	267536	267535	265615-1
Bachelorette Party	268388	268389	268390	268391	268397
Boot Scootin'	267741	267740	267743	267742	267041-1
Bumble Bugs	267238	267240	265486	267241	265614-1
Cash Chameleon	267299-1	267300-1	267301	267302-1	265222-1
Chariot Challenge	266114	266115	266116	266474	266971-1
Chicken	266808 267645 (NJ)	266809	266811	266810 267647 (NJ)	265747-1
Cuckoo	267891	267892	L13459	267894	266343-1
Dolphin Treasure	267221	267222	267223	267224	265221-1
Enchanted Forest	L12009	L13239	262411	L13240	265039-1
Golden Harvest	267947	267948	267949	267950	268130-1
Golden Pyramid	265989	L13451	265990	L13450	265991-1
Keep Your Hat On	268199	268201	268200	268202	267643
Jumpin' Joey's	265428	265429	263413	266903	265611-1
Magic Mask	268245	268244	268247	268246	265859-1
Mine, Mine, Mine	265420	265421	265422	266361	265041-1
Penguin Pays	265430	265431	264034	266364	265040-1
Penguin Pays Deluxe	267932	267933	267934	267935	267936-1
Queen of the Nile	267212	267213	267214	267215	265606-1
Sweethearts II	265663	265664	265665	266365	265036-1
Tropical Delight	266111	266112	266113	266366	265751-1
Wild Amazon	267559	267556	267563	267562	265610-1
Wild Angels	267168 265495 (NJ)	267169 265497 (NJ)	265496	267170 266367 (NJ)	265438-1
Wild Cougar	265682	265681	263690	L11002-1	264598-1
Winning Post	265425	265426	265427	266363	265909-1



ARISTOCRAT 540/500 MVP PARTS

500 MVP GLASS AND PANELS

GAME NAME	CHOP TOP	ROUND TOP	BELLY GLASS	AWARDS	CASINO TOP
Bachelorette Party	268395	268392	268394	268396	268393
Black Panther	267525	N/A	267526	267522	N/A
Boot Scootin'	267746	N/A	267747	267748	N/A
Bumble Bugs	267236	267233	265483	265485	N/A
Cash Chameleon	267306	N/A	267305	267307-1	N/A
Chariot Challenge	266121	266118	266120	266119	266117
Chicken	266803 267648 (NJ)	266805	266807	266806	266804
Cuckoo	267887	N/A	267889	267888	N/A
Dolphin Treasure	267225	267227	267229	267228	N/A
Enchanted Forest	266750 266749 (CO)	N/A	265146	265149	N/A
Golden Harvest	267944	N/A	267946	267945	N/A
Golden Pyramid	L13453	N/A	L13455	L13454	N/A
Jumpin' Joey's	265277	265276	265281	265278	265275
Keep Your Hat On	268196	268195	268198	268197	268194
Magic Mask	268243	268241	268240	268239	268242
Mine, Mine, Mine	265235	265234	265239	265236	265233
Penguin Pays	265336	265335	265339	265340-1	265334
Penguin Pays Deluxe	267930	N/A	267931	267939	N/A
Queen of the Nile	267216	267218	267220	267219	N/A
Sweethearts II	265668	265667	265671	265669	265666
Tropical Delight	266104	266108	266110	266109	266107
Wild Amazon	267552	267543	267553	267549	N/A
Wild Angels	267173 265489 (NJ)	267172 265494 (NJ)	265490	265491	N/A
Wild Cougar	265228	265285	265230	265229	265284
Winning Post	265242	265241	265246	265243	265240



500 SIDE PANEL

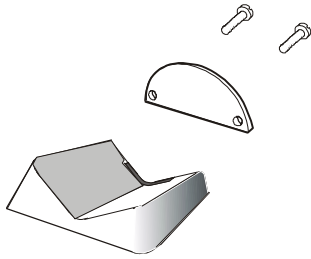
500 SIDE PANEL GLASS

PART NUMBER	DESCRIPTION
L00617	500 Side panel glass



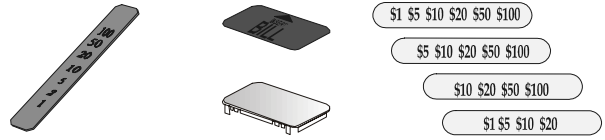
ARISTOCRAT 540/500 MVP PARTS

COIN ENTRY COMPONENTS



PART NUMBER	DESCRIPTION
565059	Coin Entry Body – Chrome 540MVP
565058-021	Coin Entry Back Plate, 5c
565058-031	Coin Entry Back Plate, 25c
565058-061	Coin Entry Back Plate, 50c
565058-121	Coin Entry Back Plate, \$1
561873-1	Coin Entry Body – Chrome 500MVP
562042-021	Coin Entry Back Plate, 5c
562042-031	Coin Entry Back Plate, 25c
562042-091	Coin Entry Back Plate, 50c
562042-121	Coin Entry Back Plate, \$1
02655	Screw, M4 X 12
562042-011	SPCL-Coin Entry Back Plate – 20mm X 1.9mm

BILL ACCEPTOR DECALS AND LABELS



540 MVP

PART NUMBER	DESCRIPTION
567376-2	Label 'INSERT BILL'
564853	Lens , BACC Insert
562046	Label, BACC Designation \$1-\$100
L13143	Label, BACC Designation \$5-\$100
L13141	Label, BACC Designation \$10-\$100
L13142	Label, BACC Designation \$1-\$50
L13313	Label, BACC Designation \$1-\$20
L13314	Label, BACC Designation -\$5-10-50-100
L13312	Label, BACC Designation -BLANK

500 MVP

PART NUMBER	DESCRIPTION
264743	Label, BACC Designation \$1-\$100
264743-1	Label, BACC Designation \$5-\$100
264743-2	Label, BACC Designation \$10-\$100
L13315	Label, BACC Designation \$1-\$20

BILL ACCEPTOR ENTRY

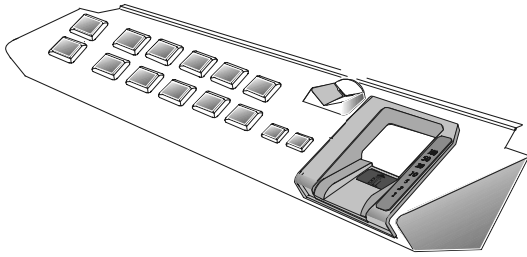


PART NUMBER	DESCRIPTION
564854-1	Bill Acceptor entry – Chrome 540 MVP
569133	Bill Acceptor entry blank – CHROME – 540 MVP
564342	Screw, BACC mounting – M4 X 8
03880	Lock washer, #10
04009	Flat Washer, 5mm
565117	Bushing, BACC mounting

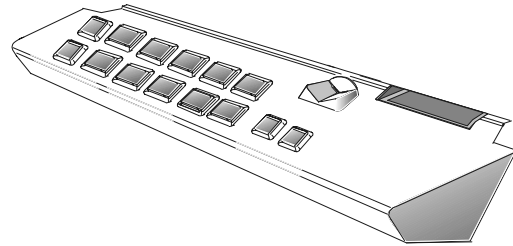


ARISTOCRAT 540/500 MVP PARTS

MIDTRIMS



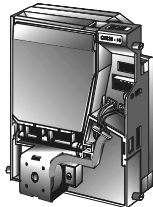
540 MIDTRIM



500 MIDTRIM

PART NO.	DESCRIPTION
569242-1	Mid trim assembly, complete 540MVP
569035	Mid trim assembly, complete 500MVP

COIN COMPARATORS AND ACCEPTORS

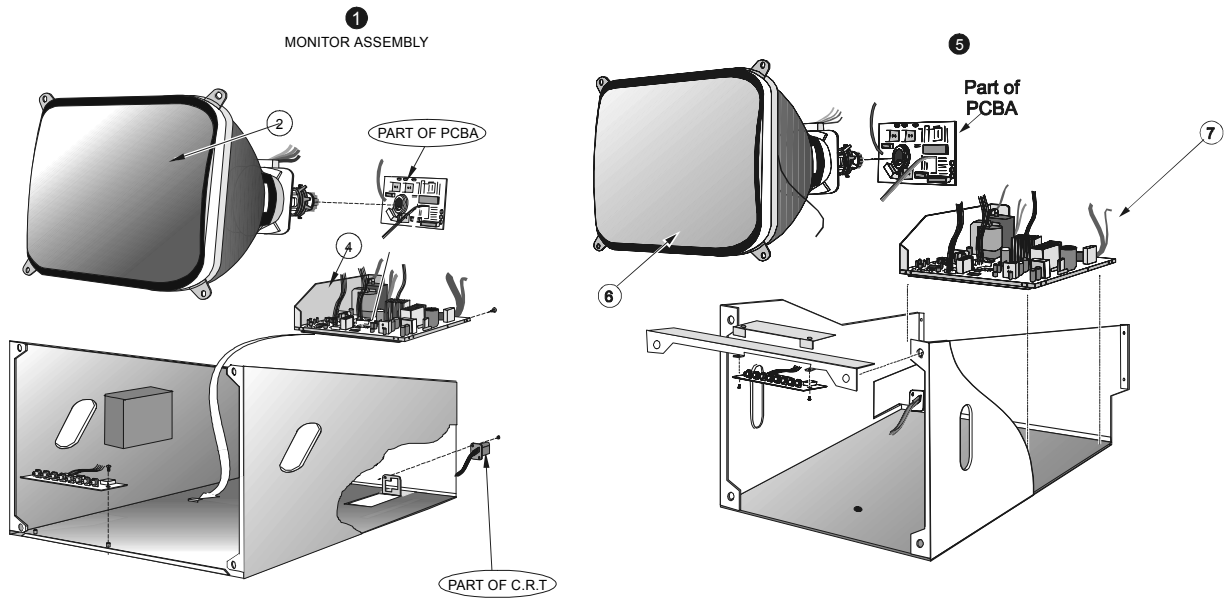


PART NO.	DESCRIPTION
L13306	Condor Validator – IKE \$ - MVP
L13307	Condor Validator – 5c/25c – MVP
L00020	Coin Comparator – CC-62 – MVP
L13062	SPECIAL ORDER – Condor Validator – Brazil - MVP
L13272	Black Spacer - Condor
L13474	Blue Spacer – Condor \$



ARISTOCRAT 540/500 MVP PARTS

MONITORS



CERONIX MONITOR - 540 MVP

TATUNG MONITOR - 500 MVP

REF NO.	PART NO.	DESCRIPTION
1	566498	Ceronix Monitor Assembly – 20" VGA – 540 MVP
2	431108	Ceronix CRT – 20" VGA – 540 MVP
3	L13032	Ceronix Isolation Transformer – 540 MVP
4	L13000	Ceronix Monitor Chassis & PCB Assembly – 540 MVP
5	430807	Tatung Monitor Assembly – 14" VGA – 500 MVP
6	L13172	Tatung CRT – 14" VGA – 500 MVP
7	L13140	Tatung Monitor Chassis & PCB Assembly – 500 MVP

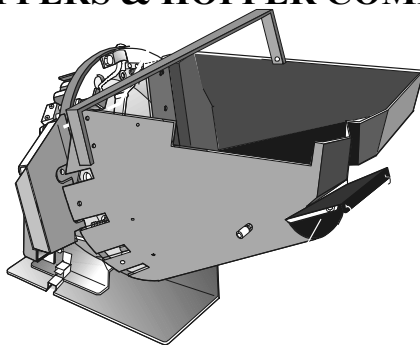
PARTS NOT ILLUSTRATED

PART NO.	DESCRIPTION
L13241	Ceronix Monitor Assembly – 20" VGA Touch Screen – 540 MVP
L13199	Microtouch – touchscreen 19" – VGA – 540 MVP
L13200	Microtouch – controller 19" – VGA – 540 MVP
L13233	Microtouch – touchscreen loom 19" – VGA – 540 MVP
L13345	Tatung Monitor Assembly – 14" VGA Touch Screen – 500 MVP
560863	Shoulder Bolt, CRT mount

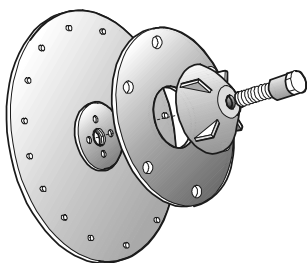


ARISTOCRAT 540/500 MVP PARTS

HOPPERS & HOPPER COMPONENTS



PART NO.	DESCRIPTION
568113-04	Disc Hopper Assembly – 25c
568113-25	Disc Hopper Assembly – \$1
568113-34	Disc Hopper Assembly – 5c
568108	Bowl Assembly
564496-B	Handle
564841	Hopper Exit Chute – 540 MVP
563547	Hopper Exit Chute – 500 MVP
10871	Hopper Motor & Gearbox Assembly
410368	Hopper PCB
564389	Photo Optic & Loom Assembly
07100	Hopper PCB (for MS)
564350	Hopper Loom & Plug Assy (for 07100 PCB)
564389	Photo optic loom (for 07100 PCB)
01118	Compression Spring



SPIGOT PLATES AND DISCS

PART NO.	DESCRIPTION
06700	Spigot Plate 5c/25c
06618	Spigot Plate 50c
06088	Spigot Plate \$1
07428	Disc Assy 5c/25c
06622	Disc Assy 50c
06323	Disc Assy \$1
06076	Shoulder Bolt
06075	Spring Cover



COIN RUNNERS

PART NO.	DESCRIPTION
17980	Coin Runner 5c/25c
06336	Coin Runner 50c
06277	Coin Runner \$1



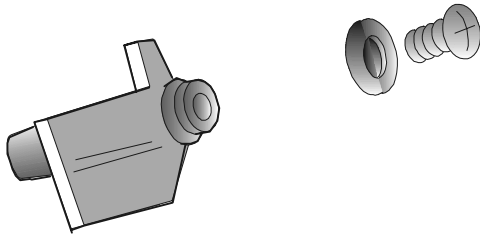
SPRINGS

PART NO.	DESCRIPTION
07371	Leaf Spring
07479	Coin Guide Spring
564375	Finger Spring, Hopper latch



ARISTOCRAT 540/500 MVP PARTS

COIN PAWLS



5c COIN PAWL CONFIGURATION

PART NO.	DESCRIPTION
12516	5c 2 nd Coin Pawl
568259	Bushing, Shouldered
10932	2 nd Coin Pawl Screw

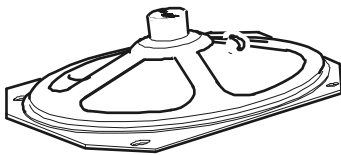
25c/50c COIN PAWL CONFIGURATION

PART NO.	DESCRIPTION
50635	25c/50c 2 nd Coin Pawl
07021	Bushing
03857	2 nd Coin Pawl Screw, M4x16
02656	Flat Washer

\$1 COIN PAWL CONFIGURATION

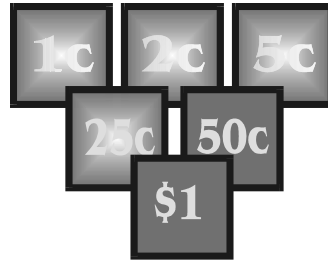
14635	\$1 2 nd Coin Pawl	3.77
07021	Bushing	0.28
03857	2 nd Coin Pawl Screw, M4x16	0.02
02656	Flat Washer	0.07

SPEAKERS



PART NO.	DESCRIPTION
563730	Twin Spkr. Assy. w/loom

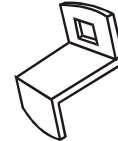
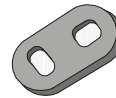
DENOMINATION DECALS



PART NO.	DESCRIPTION
L13021	5c Denom label
L13023	25c Denom label
L13025	\$1 Denom label
L13022	10c Denom label
L13024	50c Denom label
266901	1c Denom label
266902	2c Denom label

L13018	9-Line Instruction Label
265220	20-Line Instruction Label

LOCK CAMS



L13247

L00068

540 MVP CAM USAGE

PART NO.	LOCATION
L13247	Main Door Belly Door Logic Door JCM BACC Cage Door
L00068	GPT BACC Cage Door

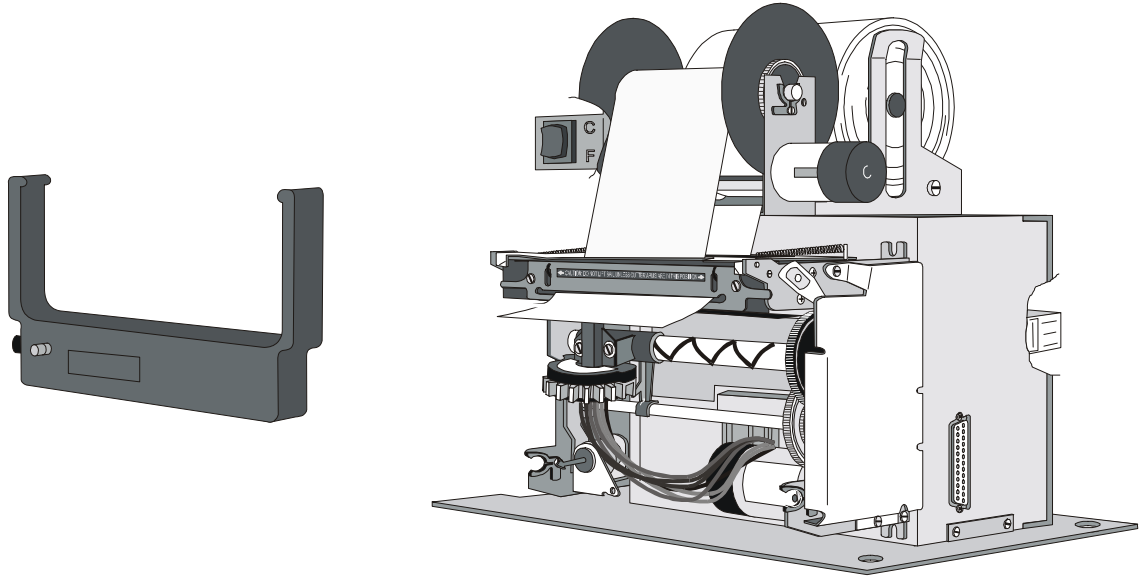
500 MVP CAM USAGE

PART NO.	LOCATION
L13247	Main Door Belly Door Logic Door JCM BACC Cage Door
L00068	GPT BACC Cage Door Chop Top Box Round Top Box



ARISTOCRAT 540/500 MVP PARTS

WESTREX MODEL 4800 KIOSK SERIAL PRINTER



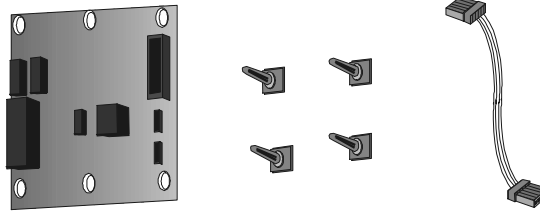
PART NO.	DESCRIPTION
563722	Westrex Serial Printer Assembly
563357	Westrex Ribbon
L00101	Westrex Spindle
L00608	Journal Fork
L00662	Paper roll take up, 3 1/4"
L13316	Paper Out Sensor
L13303	Washer
L13302	Lock Washer
410211	PCBA – Westrex Printer
563240	Ribbon Cable – Printer I/F
L13046	Cable – SOL Assy
L13116	Screw, M3 x 8
L13227	Loom, Print head
MN0003	Westrex 4700 Printer Manual

**NOTE: For additional information on parts for Westrex Printers, please refer to Westrex Printer manual produced by Westrex.*

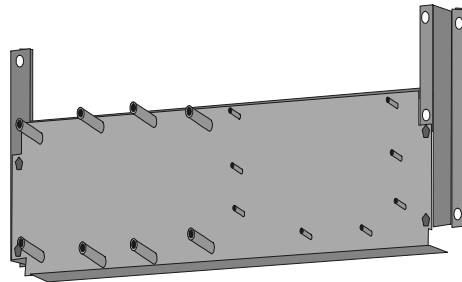


ARISTOCRAT 540/500 MVP PARTS

SPC COMMUNICATIONS COMPONENTS



PART NO.	DESCRIPTION
L00535-20	Serial Protocol Converter PCB
L00535-15	SPC Loom – SPC to Backplane
L00535-9	SPC Loom – SPC to IGT Serial PT95
L00535-11	SPC Loom – SPC to IGT, IGS, SMS, GRIPPS, SDS, MIKOHN
11870	PCB Standoffs
42104	RAM IC for SPC PCB U6
L00082-3	Decoder IC for SPC PCB U3
16576	256K EPROM (<i>w/specified protocol</i>) for SPC PCB U7
SPSPC-MKV	Serial Protocol Converter Kit: (Specify Protocol) Includes the following: (4) 11870 → PCB Mount, Self adhesive (1) 42104 → RAM IC (1) L00082-3 → Decoder (1) 16576 → Programmed 256K EPROM <i>w/specified protocol</i> (1) L00535-15 → SPC Loom to Backplane (1) L00535-20 → SPC PCB



SPC MOUNTING PLATE*

PART NO.	DESCRIPTION
569115-7	SPC Mounting plate 500 & 540
569116	Mounting Bracket –500 (<i>requires 2 for mounting</i>)
569117	Mounting Bracket – 540 (<i>requires 2 for mounting</i>)

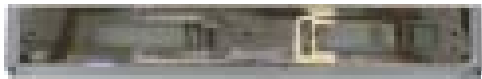
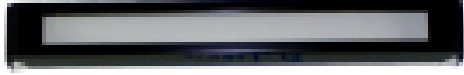
* The SPC Mounting plate has been configured to accommodate the following systems:
IGT(PT95), IGS(for IGS/ACRES), Bally(SDS,EPI),
SMS, ACRES, MIKOHN, DACOM, MGM



ARISTOCRAT 540/500 MVP PARTS

PLAYER TRACKING FACE PLATES

540 MVP



**Requires bottom trim for round top*



DESCRIPTION	COLOR	540 MVP
BLANK	BLK	564861-13
	CR	564861-11
SDS	BLK	569151-3
	CR	569151
EPI	BLK	569207-3
	CR	569207
IGT	BLK	569082-3
	CR	569082
CDS (small) <i>(also used for GSI)</i>	BLK	569145-3
	CR	569145
CDS (large)	BLK	N/A
	CR	569140
SMS ROUND TOP	BLK	N/A
	CR	569121
SMS CASINO TOP	BLK	569170-3
	CR	569170
MIKOHN	BLK	569190-3
	CR	569190
DACOM	BLK	569093-3
	CR	569093
SMS BOTTOM TRIM	BLK	569126-3
	CR	569126



ARISTOCRAT 540/500 MVP PARTS

PLAYER TRACKING FACE PLATES

500 MVP

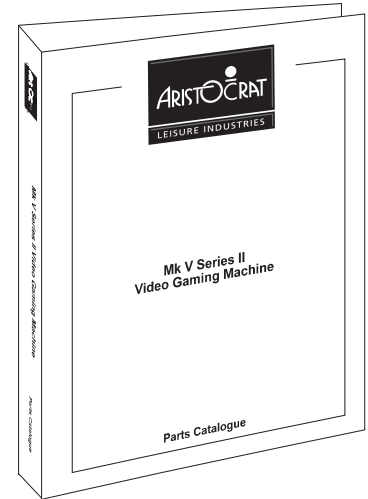
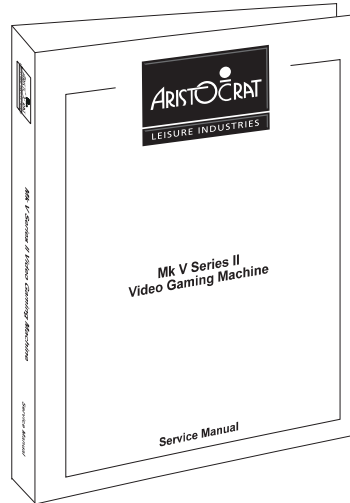
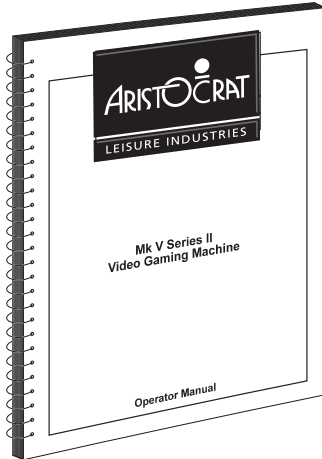


DESCRIPTION	COLOR	500 MVP
BLANK	BLK	569022-3
	CR	569022
SDS	BLK	569018-3
	CR	569018
EPI	BLK	569136-3
	CR	569136
IGT	BLK	569019-3
	CR	569019
CDS (small) <i>(also used for GSI)</i>	BLK	569020-3
	CR	569020
CDS (large)	BLK	569011-3
	CR	569011
SMS	BLK	N/A
	CR	569169
MIKOHN	BLK	569023-3
	CR	569023
DACOM	BLK	569057-3
	CR	569057



ARISTOCRAT 540/500 MVP PARTS

ARISTOCRAT MANUALS



OPERATOR'S MANUAL

Primarily intended for operators of video gaming machine, the Operator's Manual:

- Gives a general overview of the hardware and software.
- Provides procedures for daily operations and simple maintenance.

SERVICE MANUAL

Primarily intended for Service Technicians, the Service Manual:

- Gives a general overview of the hardware and software.
- Provides instructions for installation and fault-finding.
- Describes in detail each of the major components of the machine.

PARTS CATALOG

Primarily intended for operators and service technicians, the Parts Catalog:

- Shows an illustration of each of the components of the machine.
- Links each illustration with a part number.

PART NO.	DESCRIPTION
USAM-1911003-02	540 MVP – Parts Manual
AM-1911501-02	540 MVP – Operator's Manual
AM-1911502-02	540 MVP – Service Manual
AM-1911502-02SP	540 MVP – Service Manual – Spanish Version
AM-1911502-02P	540 MVP – Service Manual – Portuguese Version
USAM-1901503-02	500 MVP – Parts Manual
AM-1921501-02	500 MVP – Operator's Manual
AM-1921502-02	500 MVP – Service Manual
AM-1921502-02SP	500 MVP – Service Manual – Spanish Version
AM-1921502-02P	500 MVP – Service Manual – Portuguese Version
AM-JCMT0100	JCM Service Manual for WBA 10, 11, 12, 13, 20, 21, 22, 23-SS
MN0003	Westrex 4700 Printer Manual





ARISTOCRAT 540/500 MVP PARTS

NOTES: _____



CONVERSION KITS

540 MVP GAME CONVERSION KITS

GAME NAME	CASINO TOP	LOW BOY	ROUND TOP	# CHIPS
Black Panther	SPGMVPPANTHER	SPGMVPPANTHERLB	SPGMVPPANTHERRT	4
Boot Scootin' 20L	SPGMVPBOOT-20	SPGMVPBOOT-20L	SPGMVPBOOT-20R	8
Boot Scootin' 9L	SPGMVPBOOT-9	SPGMVPBOOT-9L	SPGMVPBOOT-9R	8
Bumble Bugs	SPGMVPBUMBLE	SPGMVPBUMBLELB	SPGMVPBUMBLERT	4
Cash Chameleon	SPGMVPCASHCAM	SPGMVPCASHCAM-L	SPGMVPCASHCAM-R	4
Chariot Challenge	SPGMVPCHARIOT	SPGMVPCHARIOTLB	SPGMVPCHARIOTRT	6
Chicken	SPGMVPCHICKEN	SPGMVPCHICKENLB	SPGMVPCHICKENRT	8
Chicken (NJ)	SPGMVPCHICKEN-NJ	SPGMVPCHICKEN-LNJ	SPGMVPCHICKEN-RNJ	8
Dolphin Treasure 20L	SPGMVPDOLPH-20	SPGMVPDOLPH-20L	SPGMVPDOLPH-20R	4
Dolphin Treasure 9L	SPGMVPDOLPH-9	SPGMVPDOLPH-9L	SPGMVPDOLPH-9R	4
Enchanted Forest	SPGMVPENCHANT	SPGMVPENCHANTLB	SPGMVPENCHANTRT	4
Golden Harvest 20L	SPGMVPHRVST-20	SPGMVPHRVST-20L	SPGMVPHRVST-20R	4
Golden Harvest 9L	SPGMVPHRVST-20	SPGMVPHRVST-9L	SPGMVPHRVST-9R	4
Golden Pyramid 20L	SPGMVPPYRMD-20	SPGMVPPYRMD-20L	SPGMVPPYRMD-20R	4
Golden Pyramid 9L	SPGMVPPYRMD-20	SPGMVPPYRMD-9L	SPGMVPPYRMD-9R	4
Jumpin' Joey's 20L	SPGMVPJOEY-20	SPGMVPJOEY-20L	SPGMVPJOEY-20RT	4
Jumpin' Joey's 9L	SPGMVPJOEY-9	SPGMVPJOEY-9L	SPGMVPJOEY-9RT	4
Mine, Mine, Mine	SPGMVPMINE	SPGMVPMINELB	SPGMVPMINERT	4
Mine, Mine, Mine (NO GAMBLE)	SPGMVPMINE-NG	SPGMVPMINELB-NG	SPGMVPMINERT-NG	4
Penguin Pays	SPGMVPPENGUIN	SPGMVPPENGUINLB	SPGMVPPENGUINRT	4
Penguin Pays Deluxe	SPGMVPPAYDLX-C	SPGMVPPAYDLX-L	SPGMVPPAYDLX-R	4
Queen of the Nile 20L	SPGMVPQUEEN-20	SPGMVPQUEEN-20L	SPGMVPQUEEN-20R	4
Queen of the Nile 9L	SPGMVPQUEEN-9	SPGMVPQUEEN-9L	SPGMVPQUEEN-9R	4
Sweethearts II	SPGMVPSWEET	SPGMVPSWEET-LB	SPGMVPSWEET-RT	4
Tropical Delight	SPGMVPTROPIC	SPGMVPTROPIC-LB	SPGMVPTROPIC-RT	4
Wild Amazon	SPGMVPAMAZON	SPGMVPAMAZON-LB	SPGMVPAMAZON-RT	4
Wild Angels	SPGMVPWANGLES	SPGMVPWANGLESLB	SPGMVPWANGLESRT	4
Wild Angels (NJ)	SPGMVPWANGLNJ	SPGMVPWANGLLBNJ	SPGMVPWANGLRTNJ	4
Wild Cougar	SPGMPCOUGAR	SPGMPCOUGARLB	SPGMPCOUGARRT	4
Winning Post	SPGMVPWINPOST	SPGMVPWINPOSTLB	SPGMVPWINPOSTRT	4



CONVERSION KITS

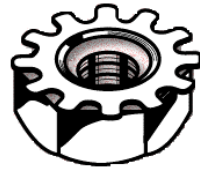
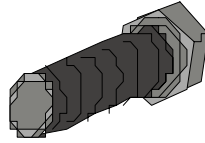
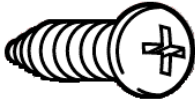
500 MVP CONVERSION KITS

GAME NAME	CHOP TOP	ROUND TOP	CASINO TOP	# CHIPS
Black Panther	SPG500PSNTHER	SPG500PANTHER-R	N/A	4
Boot Scootin' 20L	SPG500BOOT-20	N/A	N/A	8
Boot Scootin' 9L	SPG500BOOT-9	N/A	N/A	8
Bumble Bugs	SPG500BUMBLE	SPG500BUMBLE-R	N/A	4
Cash Chameleon	SPG500CASHCAM	N/A	N/A	4
Chariot Challenge	SPG500CHARIOT	SPG500CHARIOT-R	SPG500CHARIOT-C	6
Chicken	SPG500CHICKEN	SPG500CHICKEN-R	SPG500CHICKEN-C	8
Chicken (NJ)	SPG500CHICKEN-NJ	SPG500CHICKEN-RNJ	N/A	8
Dolphin Treasure 20L	SPG500DOLPH-20	SPG500DOLPH-20R	N/A	4
Dolphin Treasure 9L	SPG500DOLPH-9	SPG500DOLPH-9R	N/A	4
Enchanted Forest	SPG500ENCH	SPG500ENCH-R	N/A	4
Enchanted Forest (CO/MS)	SPG500ENCHX	SPG500ENCHX-R	N/A	4
Golden Harvest 20L	N/A	N/A	N/A	4
Golden Harvest 9L	N/A	N/A	N/A	4
Golden Pyramid 20L	N/A	N/A	N/A	4
Golden Pyramid 9L	N/A	N/A	N/A	4
Jumpin' Joey's 20L	SPG500JOEY-20	SPG500JOEY-20RT	SPG500JOEY-20CS	4
Jumpin' Joey's 9L	SPG500JOEY-9	SPG500JOEY-9RT	SPG500JOEY-9CS	4
Mine, Mine, Mine	SPG500MINE	SPG500MINE-R	SPG500MINE-C	4
Penguin Pays	SPG500PENGUIN	SPG500 PENGUIN-R	SPG500 PENGUIN-C	4
Penguin Pays Deluxe	N/A	N/A	N/A	4
Queen of the Nile 20L	SPG500QUEEN-20	SPG500QUEEN-20R	N/A	4
Queen of the Nile 9L	SPG500QUEEN-9	SPG500QUEEN-9R	N/A	4
Sweethearts II	SPG500SWEET	SPG500SWEET-R	SPG500SWEET-CS	4
Tropical Delight	SPG500TROPIC	SPG500TROPIC-R	SPG500TROPIC-C	4
Wild Amazon	SPG500AMAZON	SPG500AMAZON-R	N/A	4
Wild Angels	SPG500WANGELS	SPG500WANGELS-R	N/A	4
Wild Angels (NJ)	SPG500WANGELSNJ	SPG500WANGELSRTNJ	N/A	4
Wild Cougar	SPG500COUGAR	SPG500COUGAR-R	SPG500COUGAR-CS	4
Winning Post	SPG500WINPOST	SPG500WINPOST-R	SPG500WINPOST-C	4



ARISTOCRAT 540/500 MVP PARTS

COMMONLY USED HARDWARE



PART #	DESCRIPTION
560863	Bolt, Shoulder (Ceronix 20")
03255	Nut, Hex M6 Grade 5
51714	Nut, M4 KEP, Hex
51713	Nut, M5 KEP, Hex
07719	Nut, M5 Nyloc
02656	Screw M4 X 16, Pan Head
11784	Screw, M3 X 8, Pan Head, Zinc Pl
02655	Screw, M4 X 12, Pan Head, Zinc
564342	Screw, M4 X 8, Pozi, Phillips head
02640	Screw, Pan Head M3 X 5, Zinc
563051	Screw, Taptite M5 X 12, Hex head
03855	Washer, Flat 1/8 X 3/8 OD Zinc Pl
03857	Washer, Flat 5/32 X 7/16 X 20 BG
04009	Washer, Flat 5mm
05031	Washer, Flat, M4.2 X 16 X 1
562065	Washer, Nylon, Hinge Bearing, Belly door
562079	Washer, Nylon, Hinge Bearing, Main door
03880	Washer, Shakeproof



INDEX

→ # ←

20 - Line Instruction label	17
9 - Line Instruction Label	17

→ A ←

Acceptor - Coin	14
Artwork - Glass	11,12
Auxillary Power Cord	3

→ B ←

BACC	4
BACC - Entry	13
BACC - JCM PSU	4
BACC - Lens, Insert	13
Back Plates - Coin Entry	13
Backplane - PCB	2
Bezel - JCM	4
Bill Denomination Label	13
Blank - BACC	13
Blank - Button	4
Blank - PTM	20, 21
Body - Coin Entry	13
Bolt - Hopper shoulder	16
Bowl - Hopper	16
Bracket - Solenoid	1
Bracket - SPC Mounting Plate	19
Bushing - BACC Mounting	13
Bushing -Coin Pawl	17
Button - Blank	4
Button - Channel	4
Button - Nut	4
Button - Panels	14

→ C ←

Cam - Door	17
Cam - JCM	4
Candles (<i>see Light Towers</i>)	
Cashbox	4
Cashbox - Chute	5
CC-62	14
CCB - PCB	2
CDS - PTM	20, 21
Ceronix - Monitor	15
Channel - Button	4
Chip Tray	5
Chute - Hopper exit	16

Coin - Pawls	17
Coin - Runners	16
Coin Divertor - Solenoid	1
Coin Divertor - Solenoid & Optic Loom	1
Coin Divertor - Solenoid Bracket	1
Coin Divertor - Solenoid Spring	1
Coin Divertor - Split Pin	1
Coin Entry	13
Coin Entry Back Plates	13
Communication - PCB	19
Condor - Validator	14
Connector - Light Tower 6W	1
Controller - Touchscreen	15
Conversion kits	24, 25
Cradle base - BACC	4
CRT - Monitor	15

→ D ←

DACOM -PTM	20, 21
Decal - Denomination	17
Denomination Label - Bills	13
Denomination Label - Coin	17
Disc - Hopper	16
Door - Cams	17
Door - Hinges	5
Driver I/O - PCB	2

→ E ←

End Cap - Chip Tray	5
EPI - PTM	20, 21
EPROM - SPC	19

→ F ←

Flouro - Ballast	3
Flouro - Sockets	3
Flouro - Starters	3
Flouro - tubes	3

→ G ←

Game Kits	24, 25
Glass	11,12
Glass - 500 MVP	12
Glass - 540 MVP	11

INDEX

GPT - Bill Acceptor	4	Meter	1
→ H ←		Meter - 7 Digit	1
Handle - Hopper	16	Meter - Label	1
Hardware	26	Meter - PCB Assembly	1
Hinges	5	Microtouch - controller	15
Hopper	16	Midtrim	14
→ I ←		MIKOHN -PTM	20, 21
IGT - PTM	20, 21	Monitor	15
→ J ←		Monitor - PCB	15
JCM - Bezel	4	Monitor Chassis PCB	15
JCM - Bill Acceptor	4	Motor – BACC Stacker	4
JCM - Manual	4, 22	Motor - Hopper	16
JCM - Power Supply/ I/F	4	Mounting Plate - SPC	19
→ K ←		→ N ←	
Knife - Coin	16	Nuts	26
→ L ←		→ O ←	
Label - Chip Tray	5	Operators Manual	22
Label - Denomination	17	→ P ←	
Label - Insert Bill	13	Panel - 500 Side Glass	12
Label – Instruction	17	Panel - Plex inserts 540 MVP	11
Label – Meter	1	Paper out Sensor - Westrex	18
Lamp	1, 2	Parts Manual	22
Lamp – Bayonet	1	Pawls – Coin	17
Lamp – Holder	2	PCB	1, 2, 15, 16, 19
Lamp – Wedge	2	PCB – Hopper	16
Lamp Holder	2	PCB – Meter	1
Lens - BACC Insert	13	PCB – Monitor Chassis	15
Light Tower	1	PCB – SPC	19
Light Tower – Acorn nut	1	Plate – Mounting, SPC	19
Light Tower – Bushing	1	Player Tracking – PTM	20, 21
Light Tower – Lamp	1	Power Cord	3
Lock – Cams	17	Power Cord – Auxillary	3
Loom – Hopper photo optic	16	Power Supply – 500MCP – 220V	2
Loom – SPC	19	Power Supply – 500MVP – 110V	2
→ M ←		Power Supply – 540MVP	2
Main Board - PCB	2	Printer	18
Manuals	22	Pushbutton	2
Memory Chip – GPT Stacker	4	Pushbutton – Lamp	2
		Pushbutton – Lamp holder	2
		Pushbutton – Legends	2
		Pushbutton – Lenses	2

INDEX

Pushbutton – Microswitch	2		
Pushbutton – Switch	2	Validator – Coin	14
→ R ←		→ V ←	
Ribbon – Westrex Printer	18	Washers	26
→ S ←		→ W ←	
Screw – Coin pawl	17		
Screw – M4 X 16	17		
Screw – M5 X 12	5, 13		
Screws	26		
SDS – PTM	20, 21		
Sensor –Printer Paper Out	18		
Service Maunal	22		
SMS - PTM	20, 21		
Solenoid - Coin Divertor	1		
SPC - PCB	19		
Speaker	17		
Spigot - Hopper	16		
Spindle – Westrex Printer	18		
Spring - Coin Divertor	1		
Spring - Cover	16		
Spring - Cradle Base	4		
Spring - Pushbutton	3		
Springs - Finger, hopper latch	16		
Springs - Hopper coin guide	16		
Springs - Hopper leaf	16		
Stackers	4		
Switch	2		
Switch - Main door & Belly door	3		
Switch - Main power - 540MVP	3		
→ T ←			
Tatung - Monitor	15		
Tester – GPT RS Demo	4		
Top Box - 500MVP Chop Top	9		
Top Box - 500MVP Round Top	10		
Top Box - 540MVP Casino	6		
Top Box - 540MVP Low Boy	8		
Top Box - 540MVP Round Top	7		
Touchscreen - Controller	15		
Touchscreen - Monitor	15		