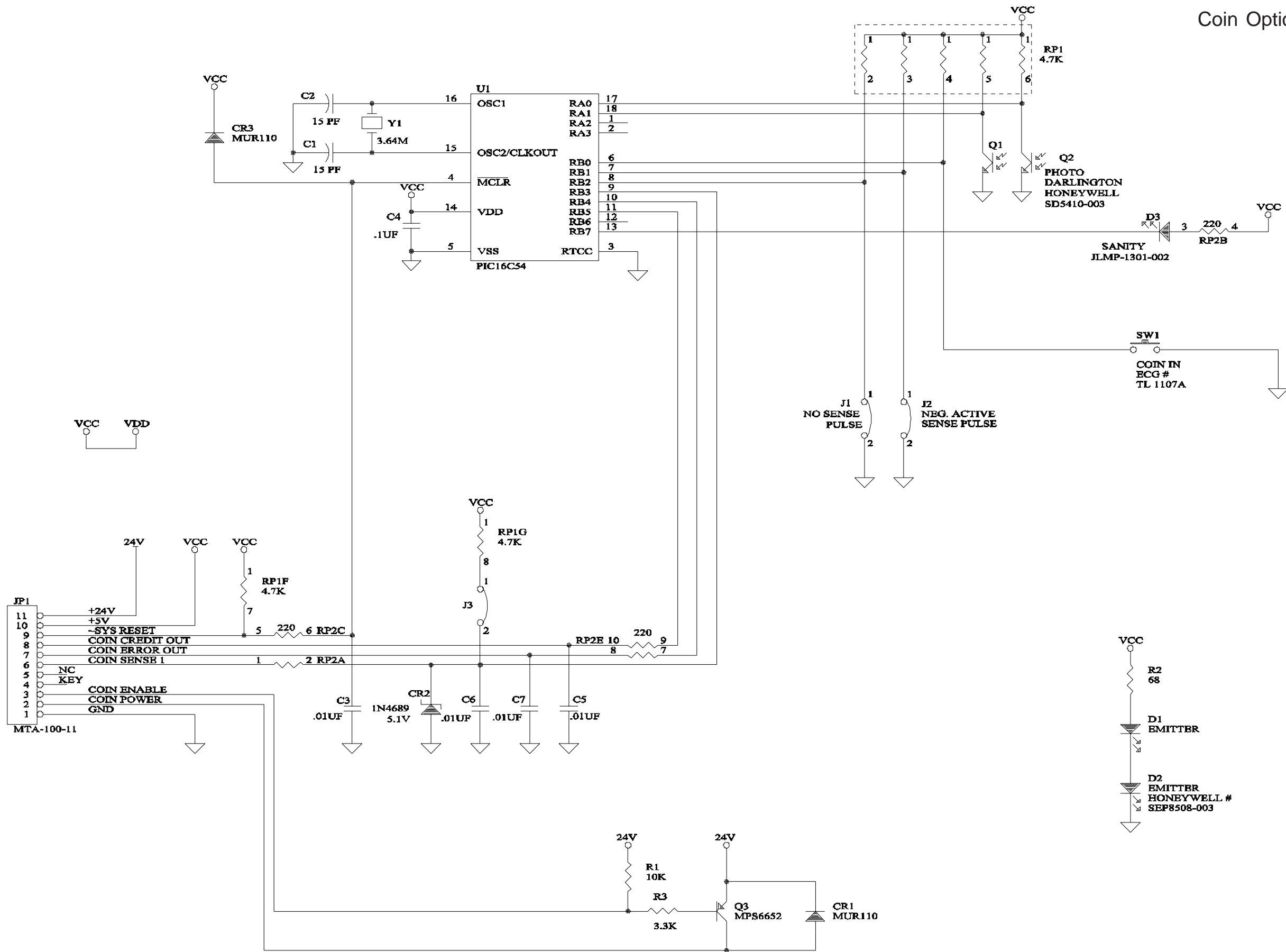
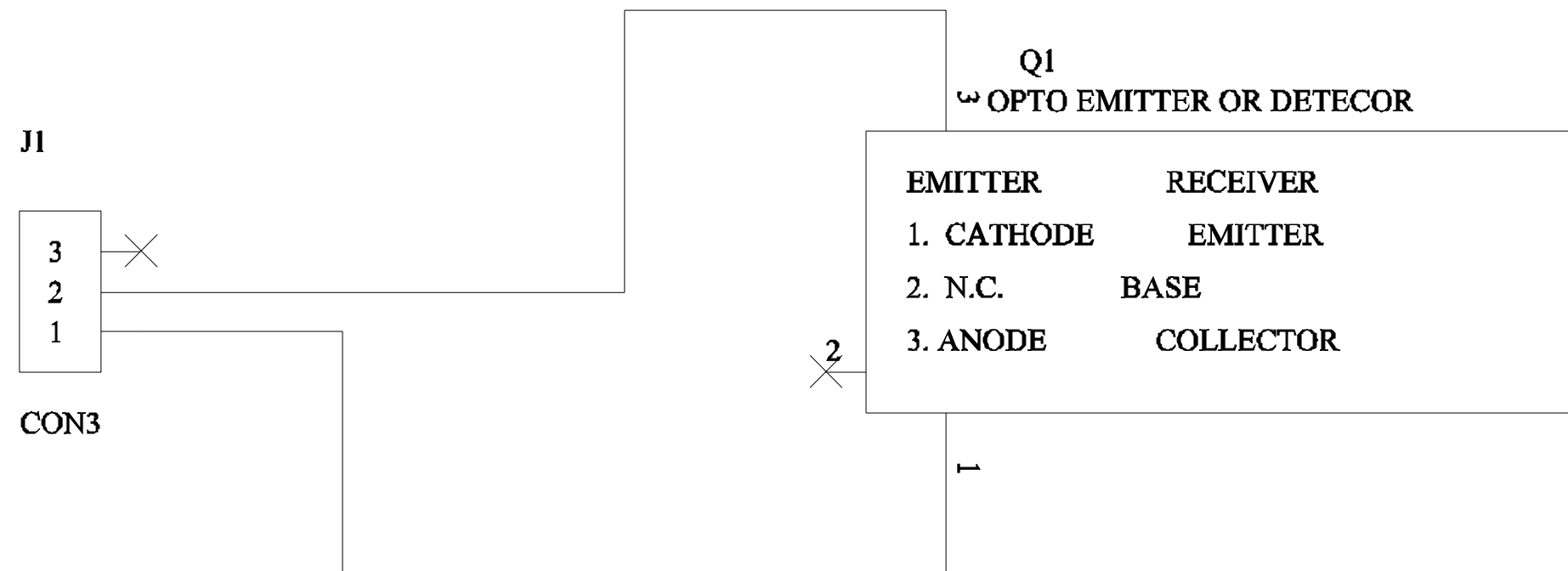
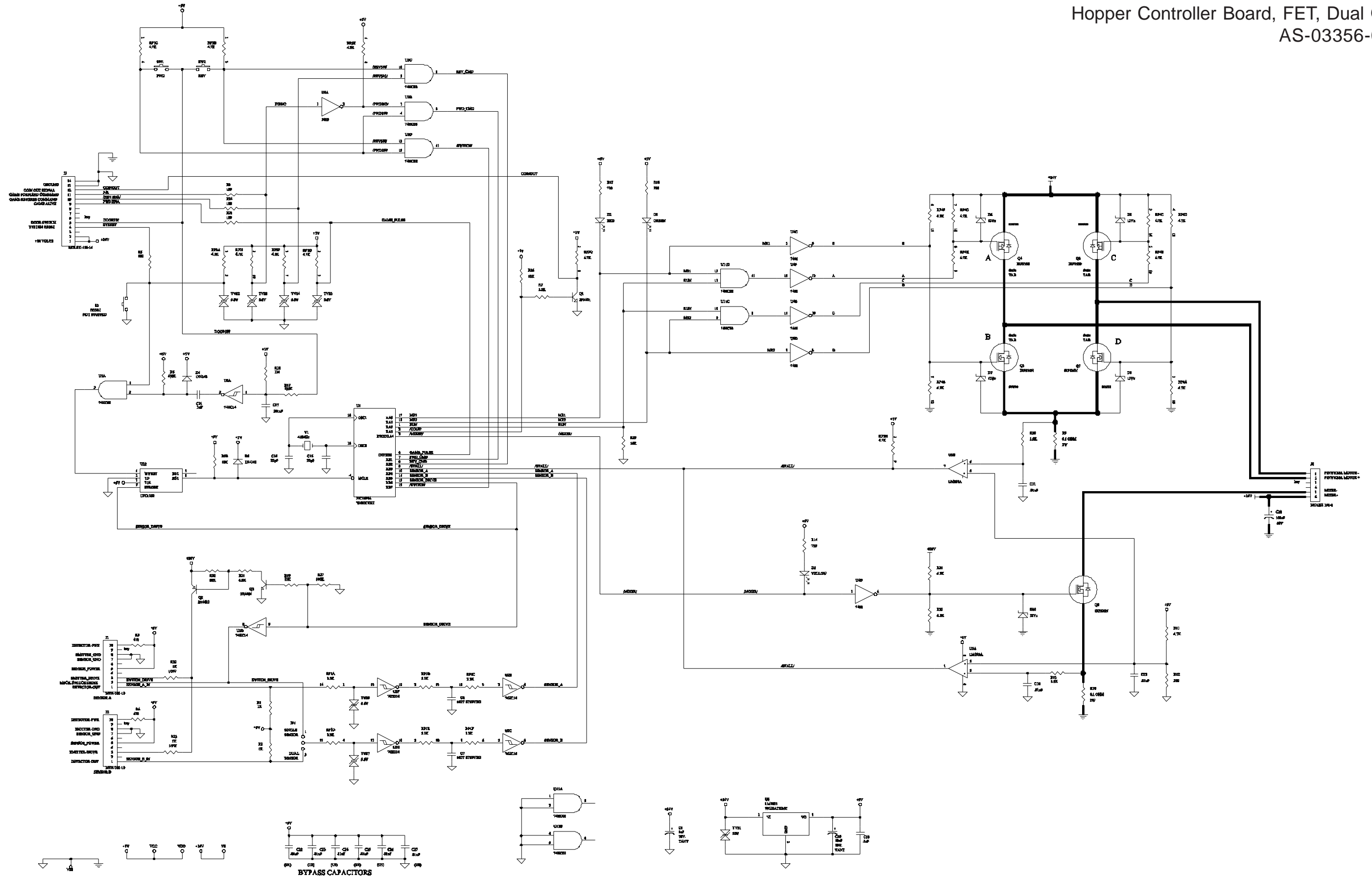


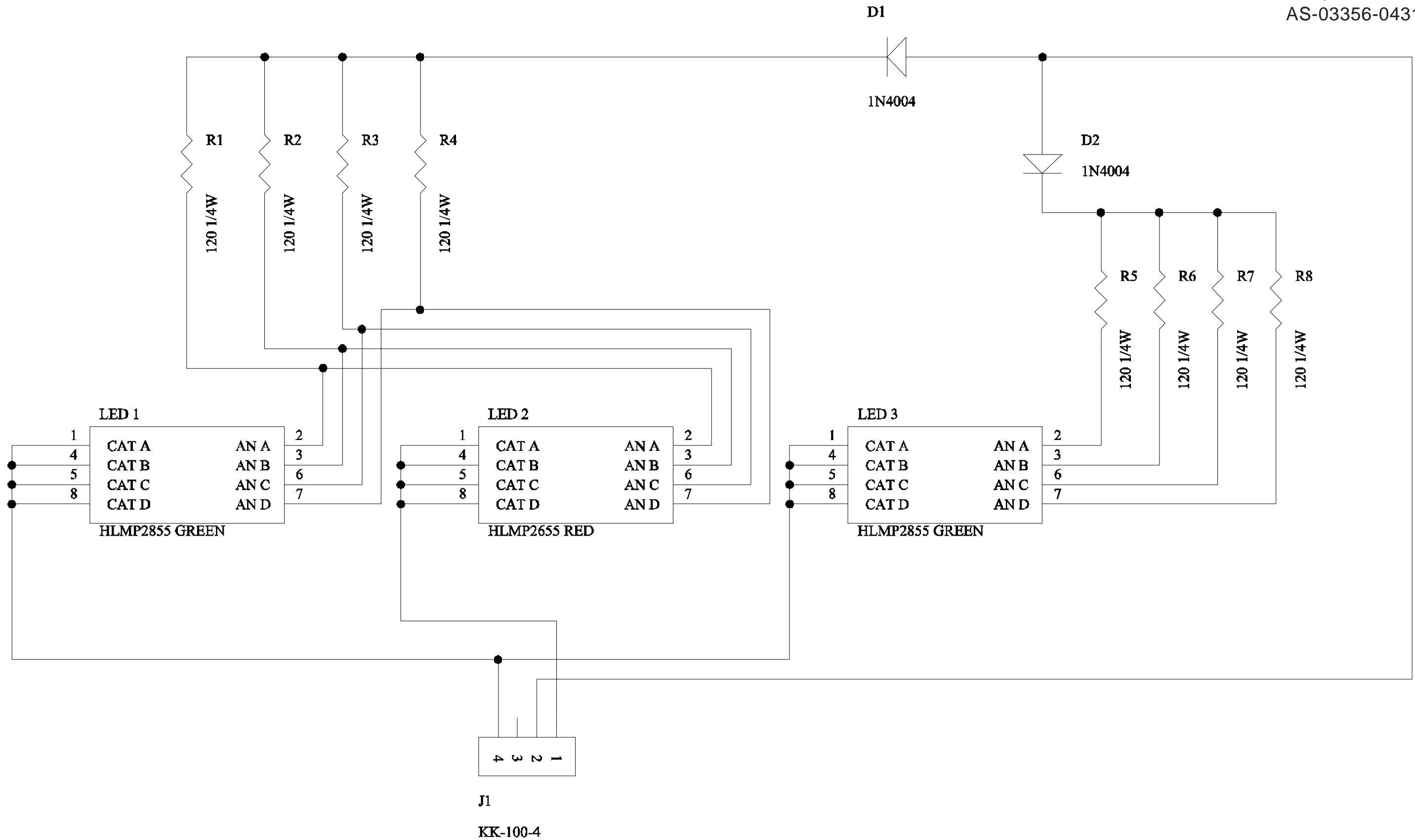


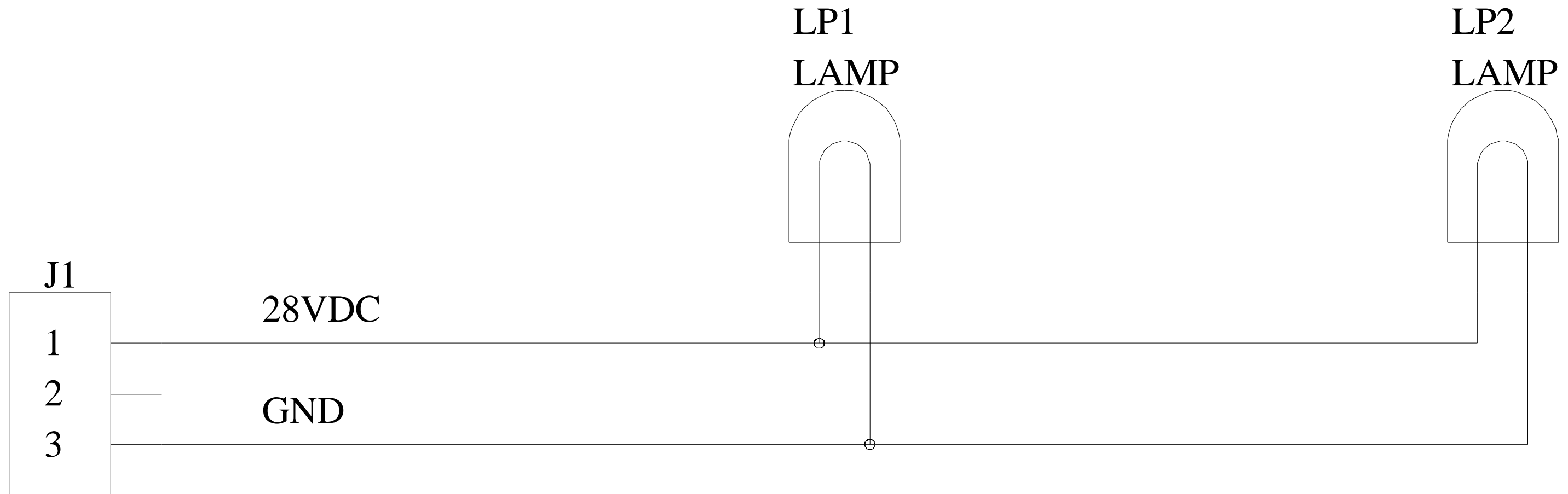
Coin Optic Decoder Board
AS-03356-0303





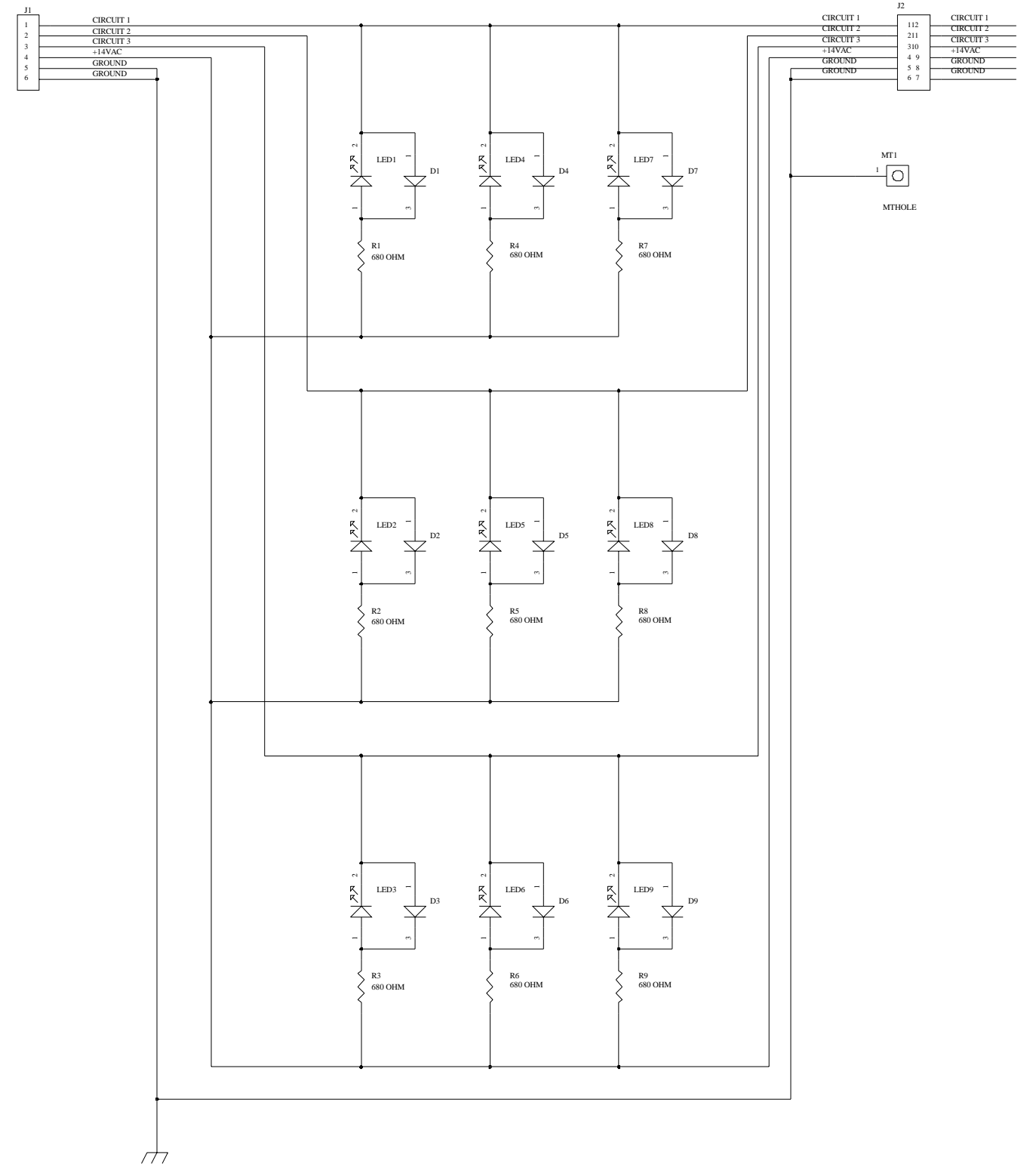
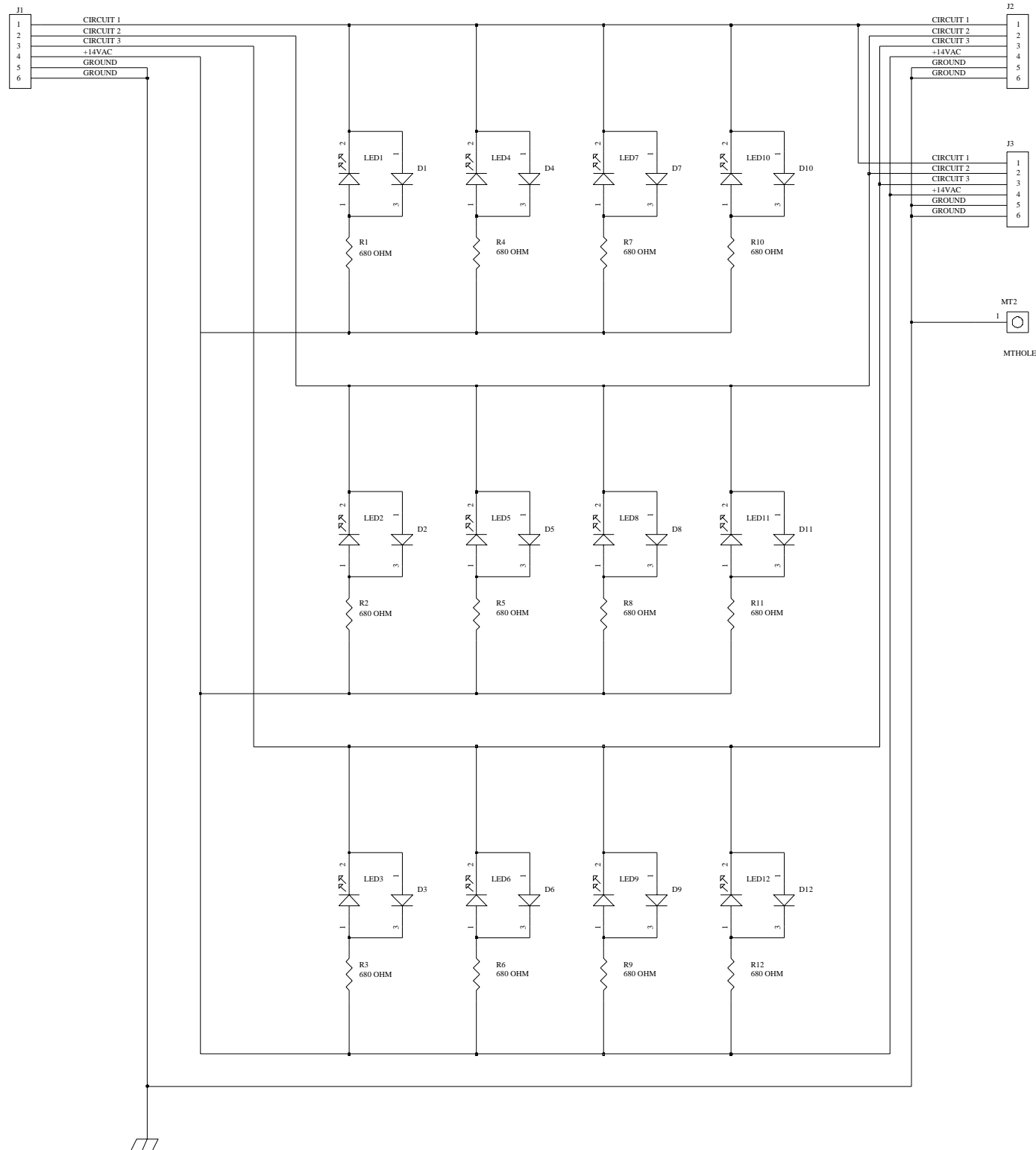






Playboy LED Board, Left
AS-03356-0572

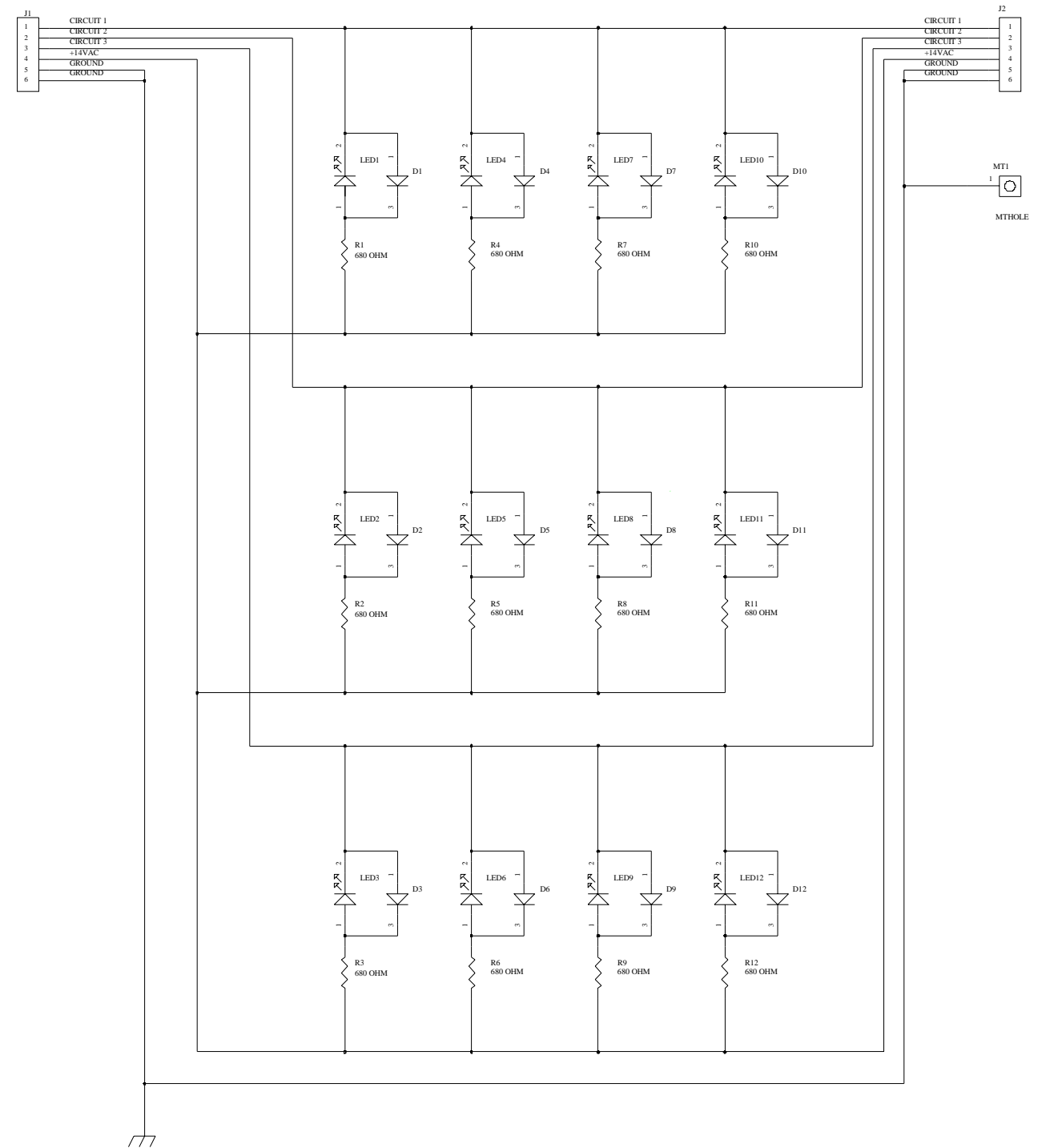
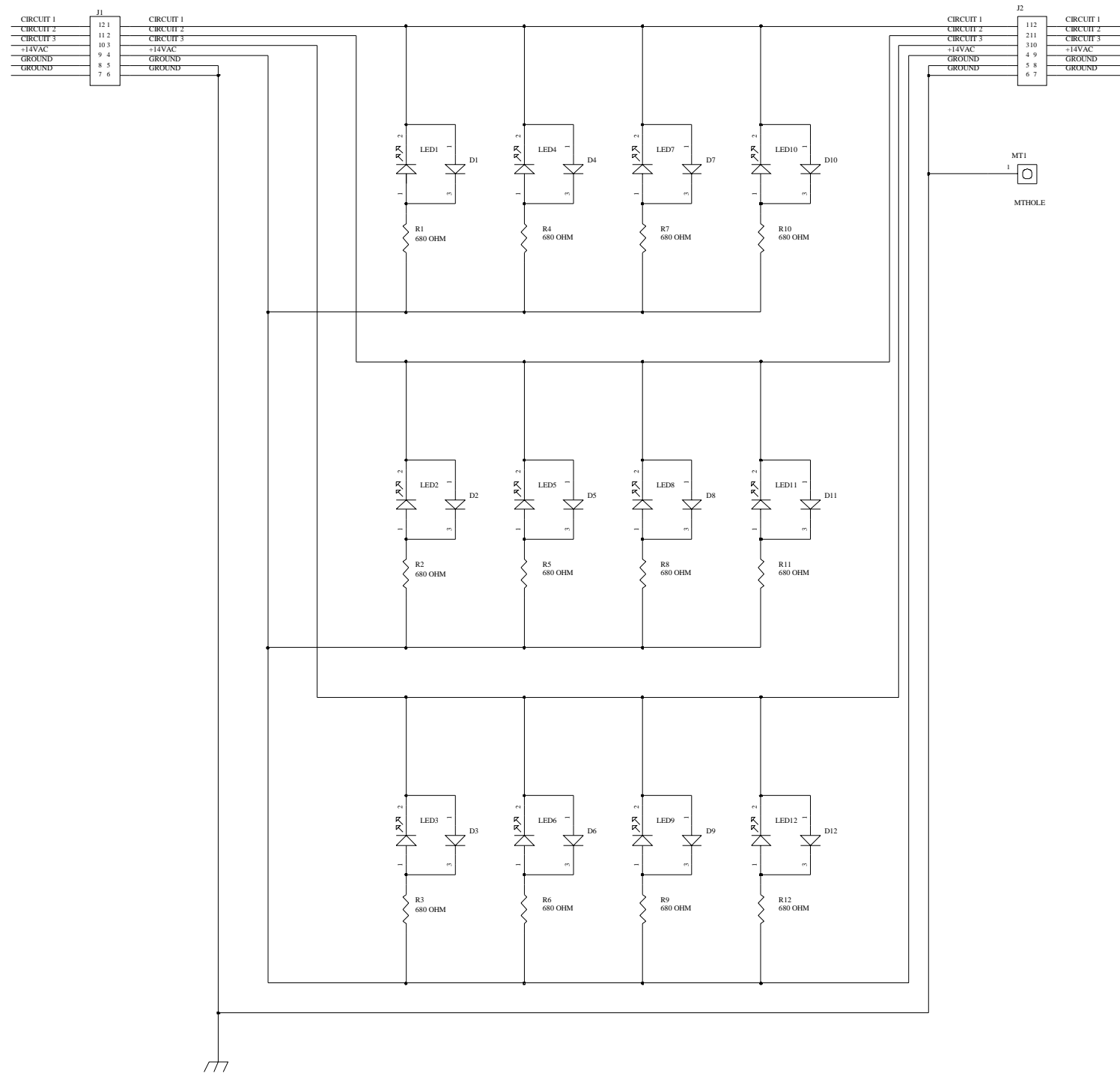
Playboy LED Board, Right
AS-03356-0575

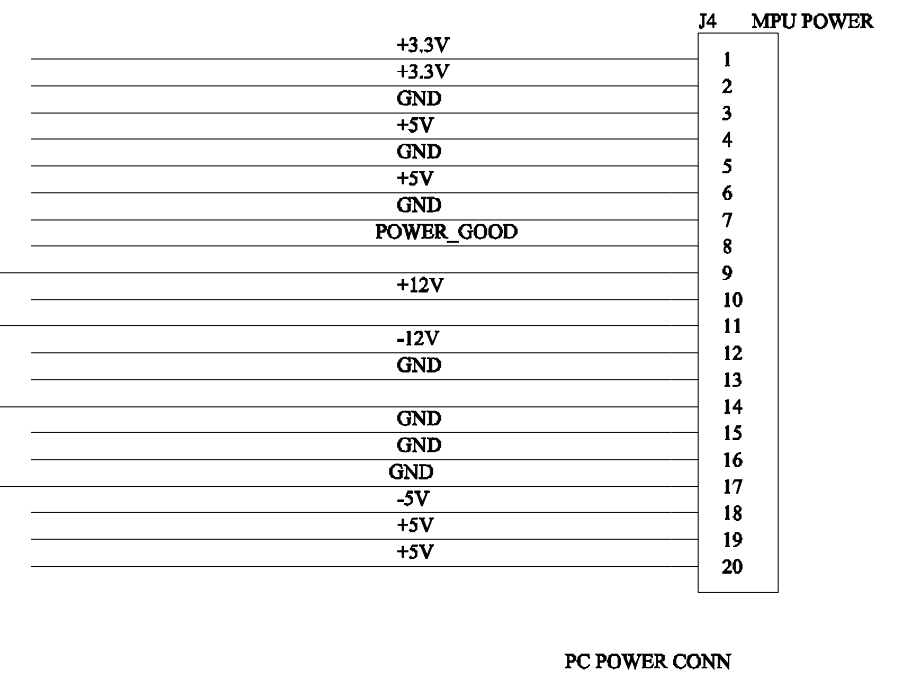
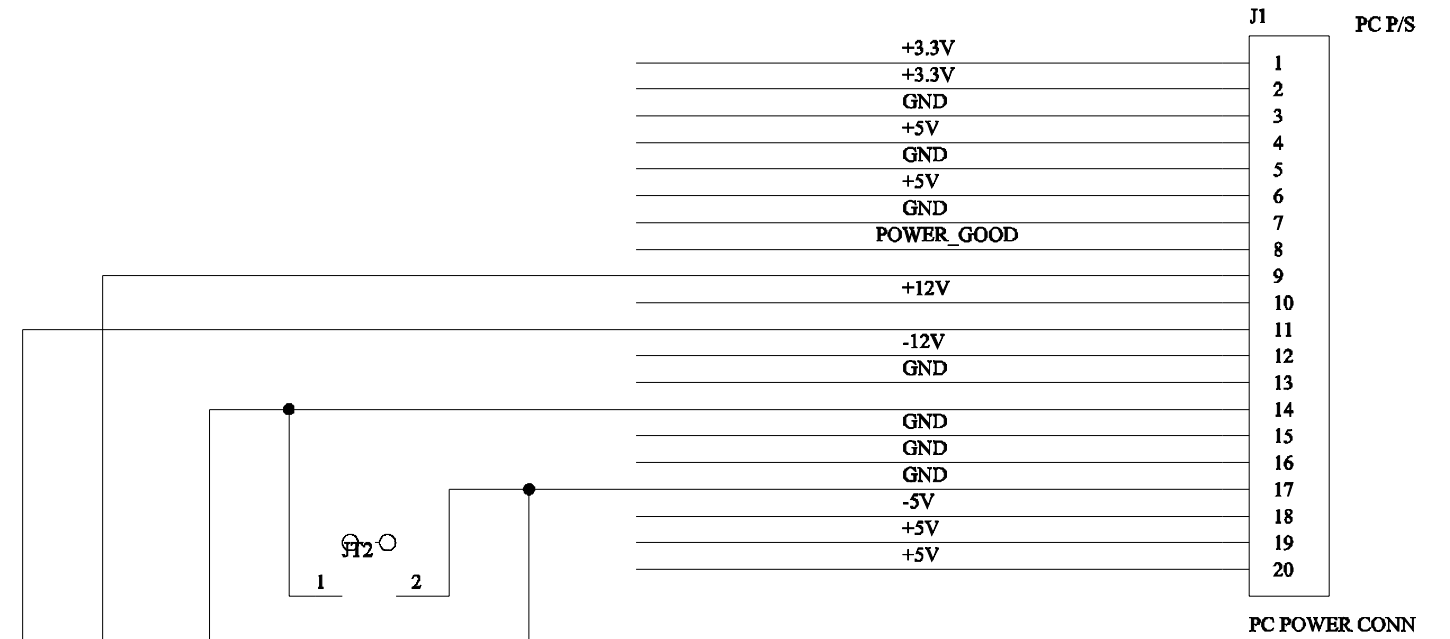
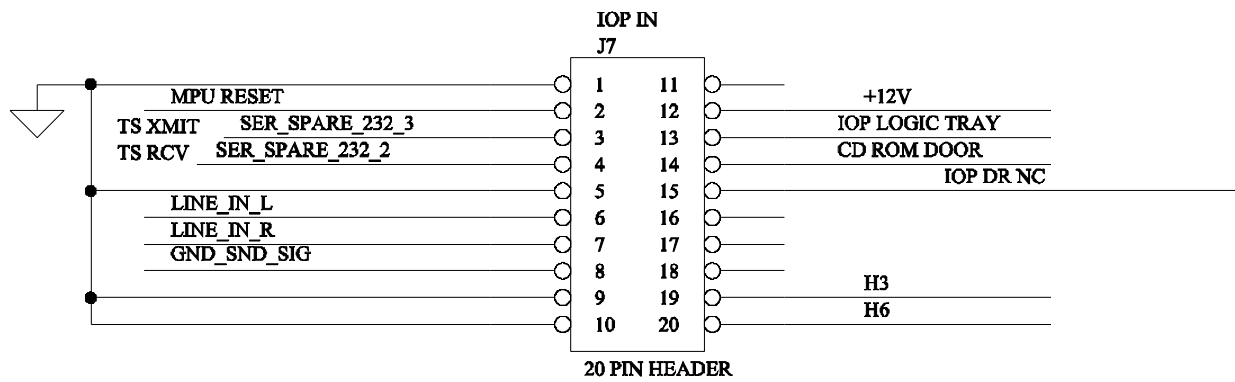
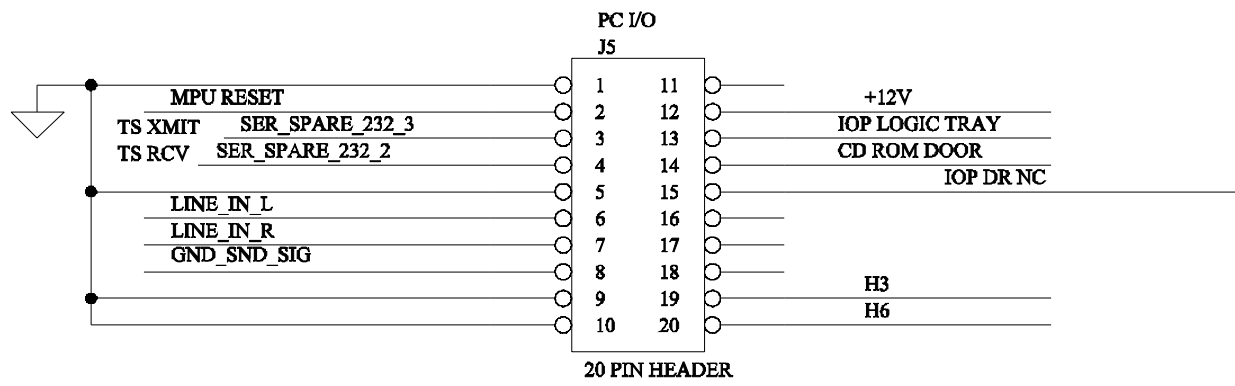
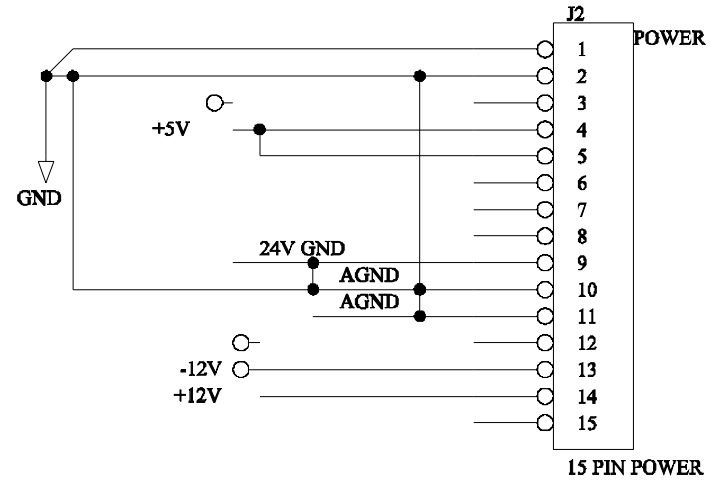


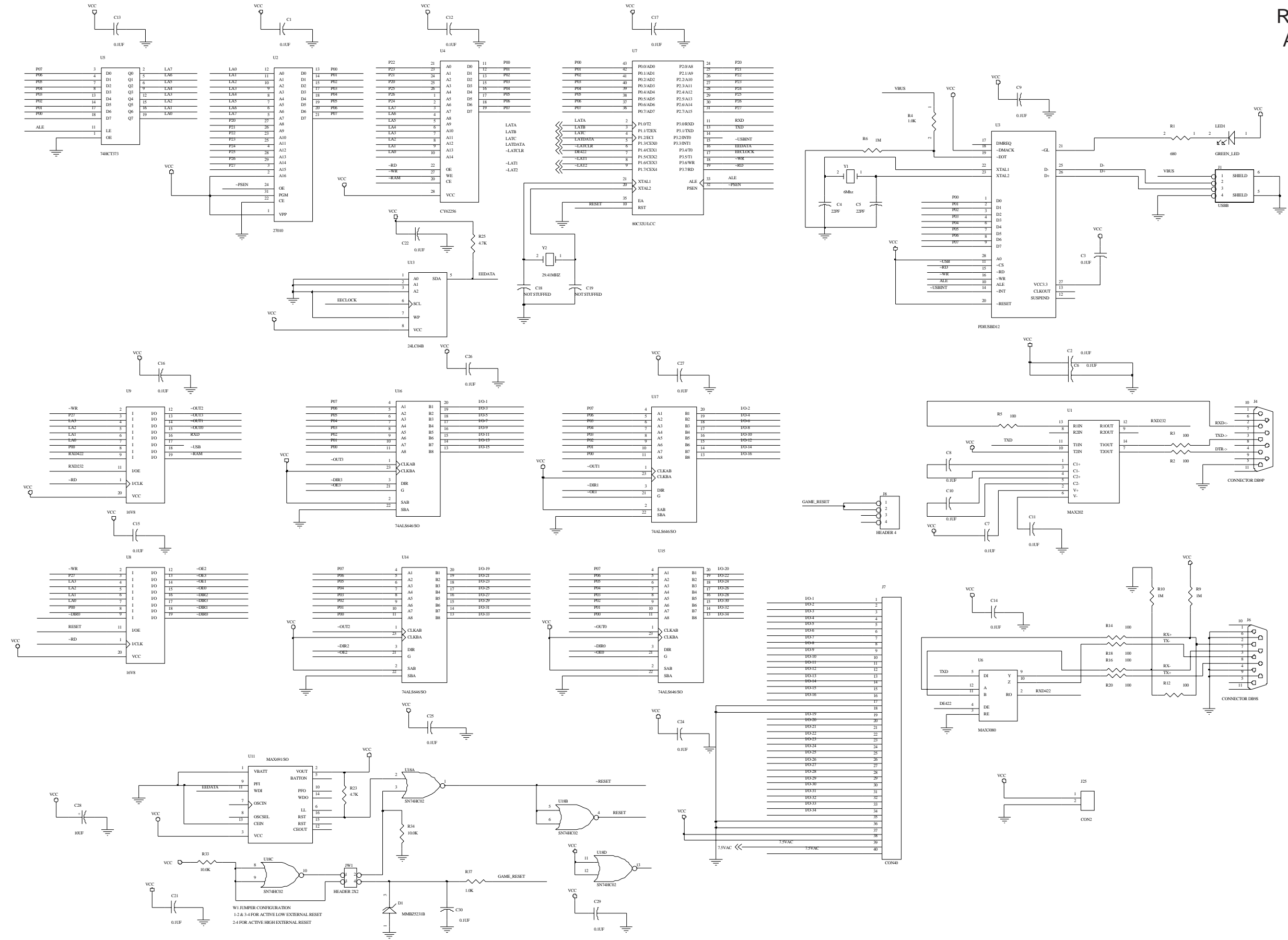


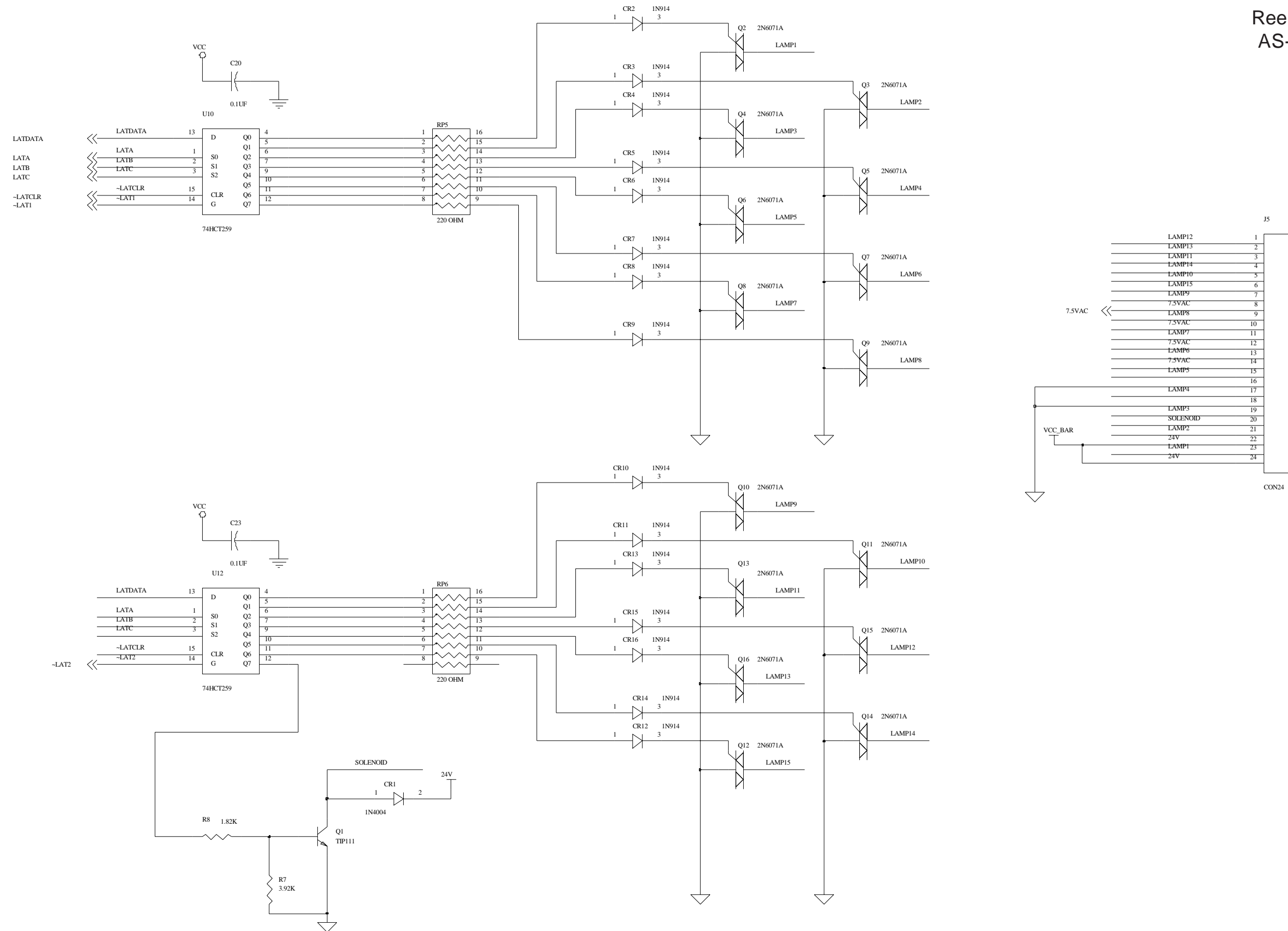
Playboy LED Board Left Ear
AS-03356-0573

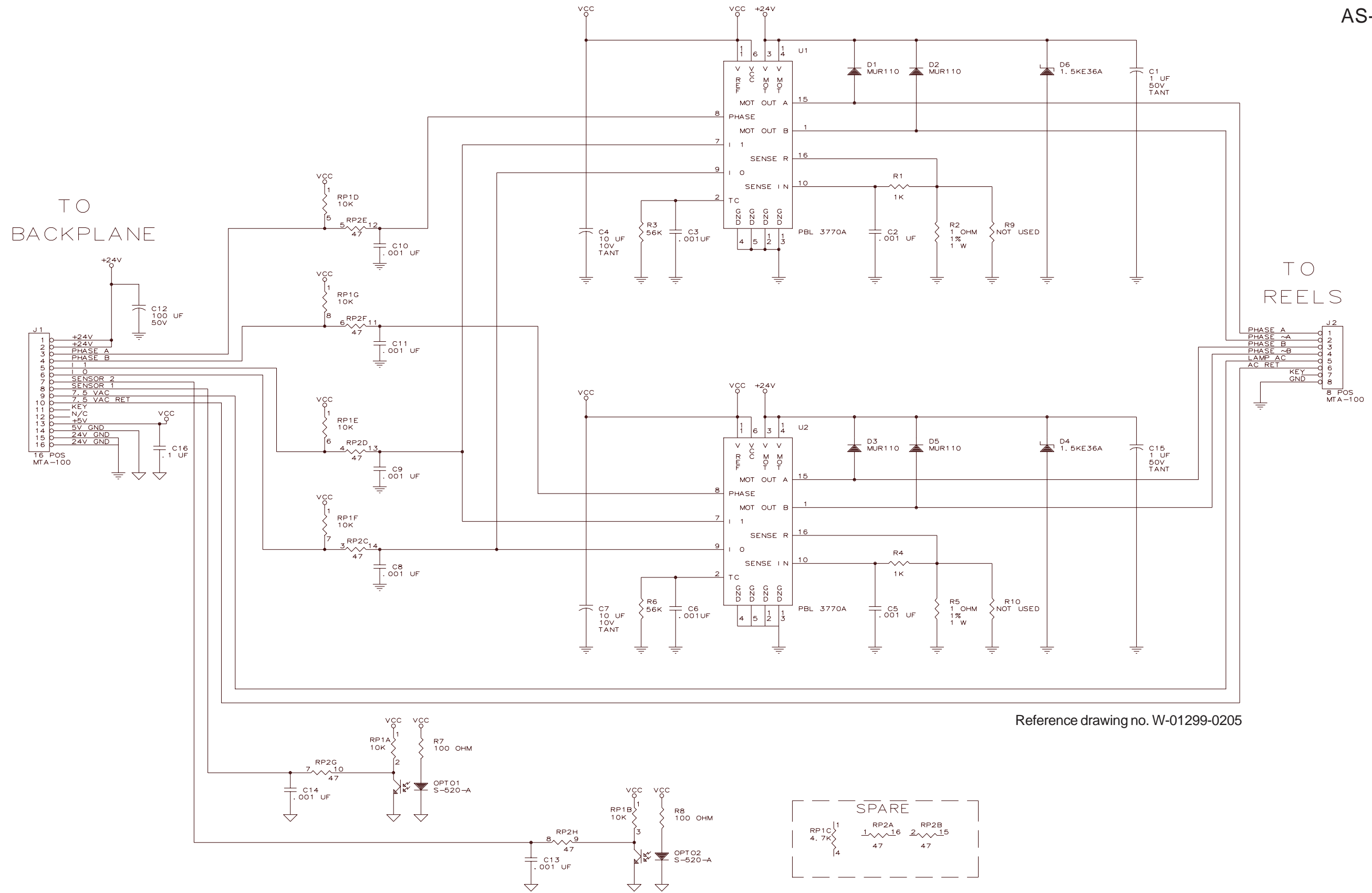
Playboy LED Board Right Ear
AS-03356-0574





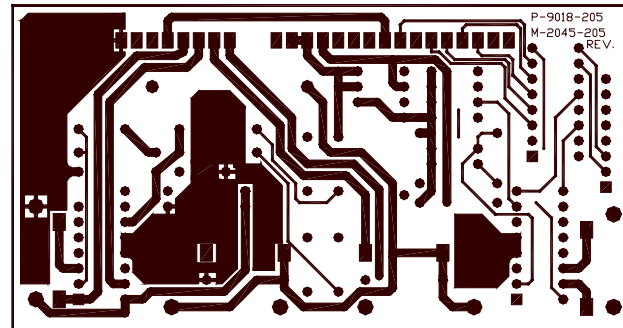




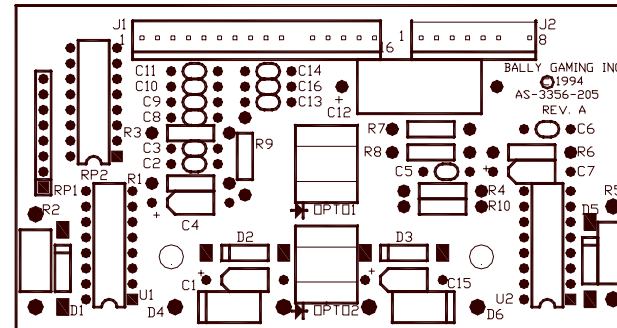


Reference drawing no. W-01299-0205

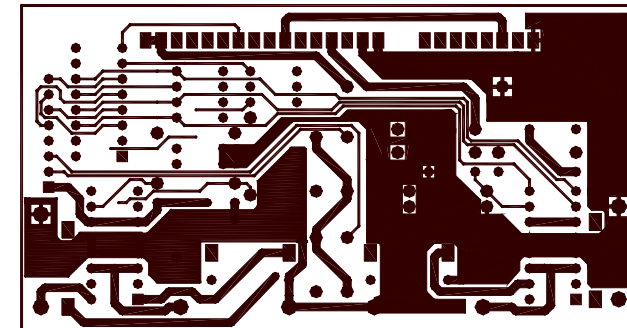
SOLDER SIDE AS-3356-205A



COMPONENT SIDE SILKSCREEN AS-3356-205A



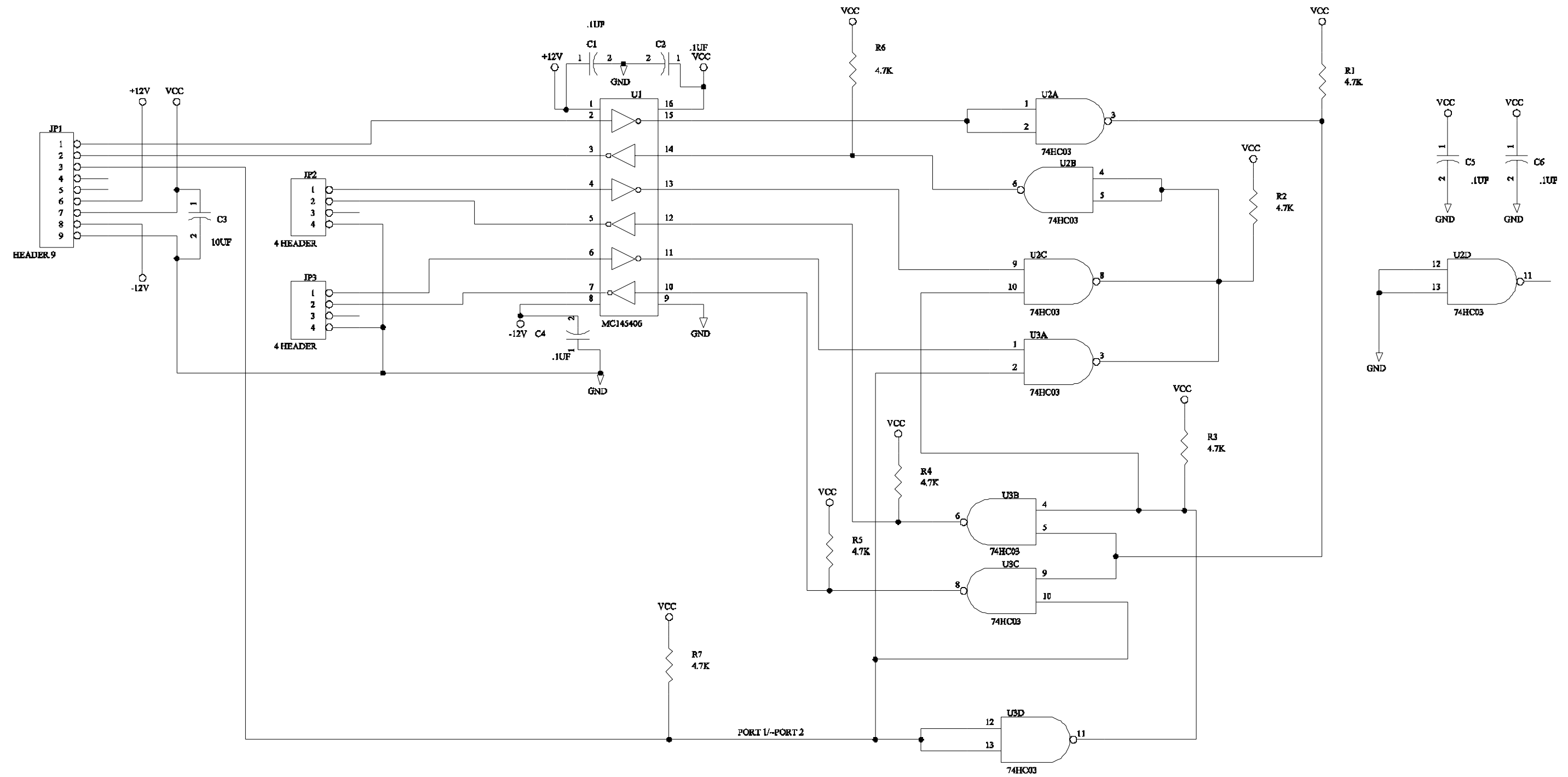
COMPONENT SIDE AS-3356-205A

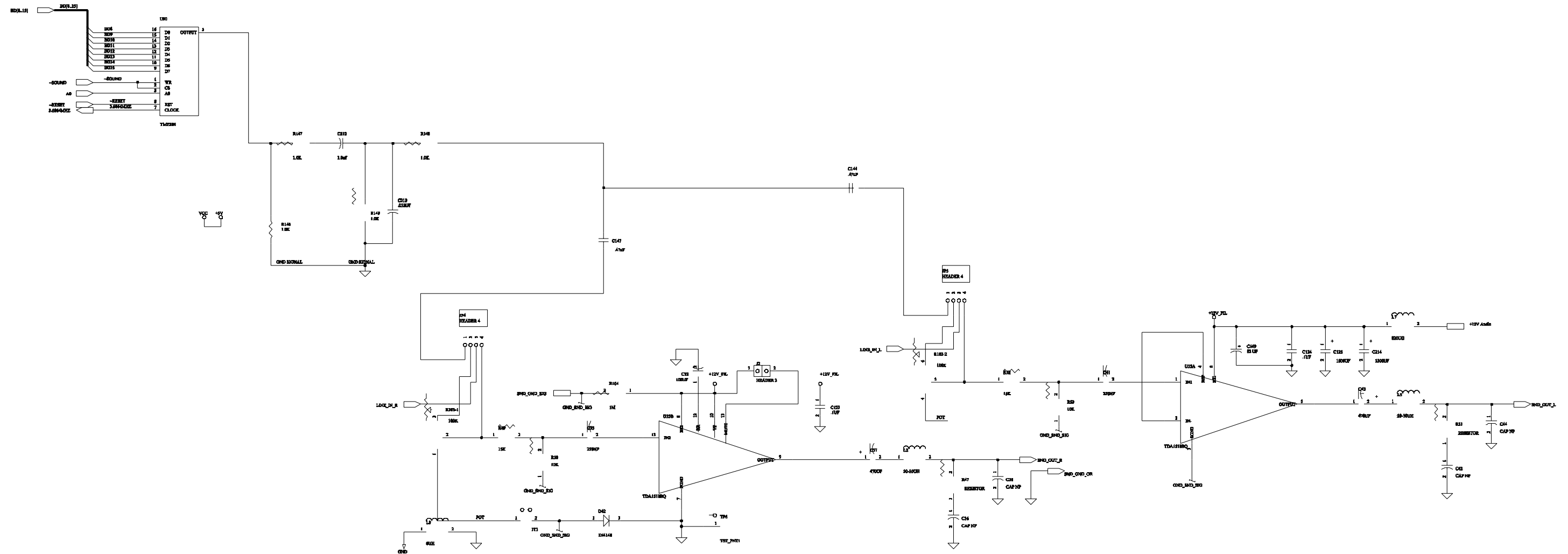


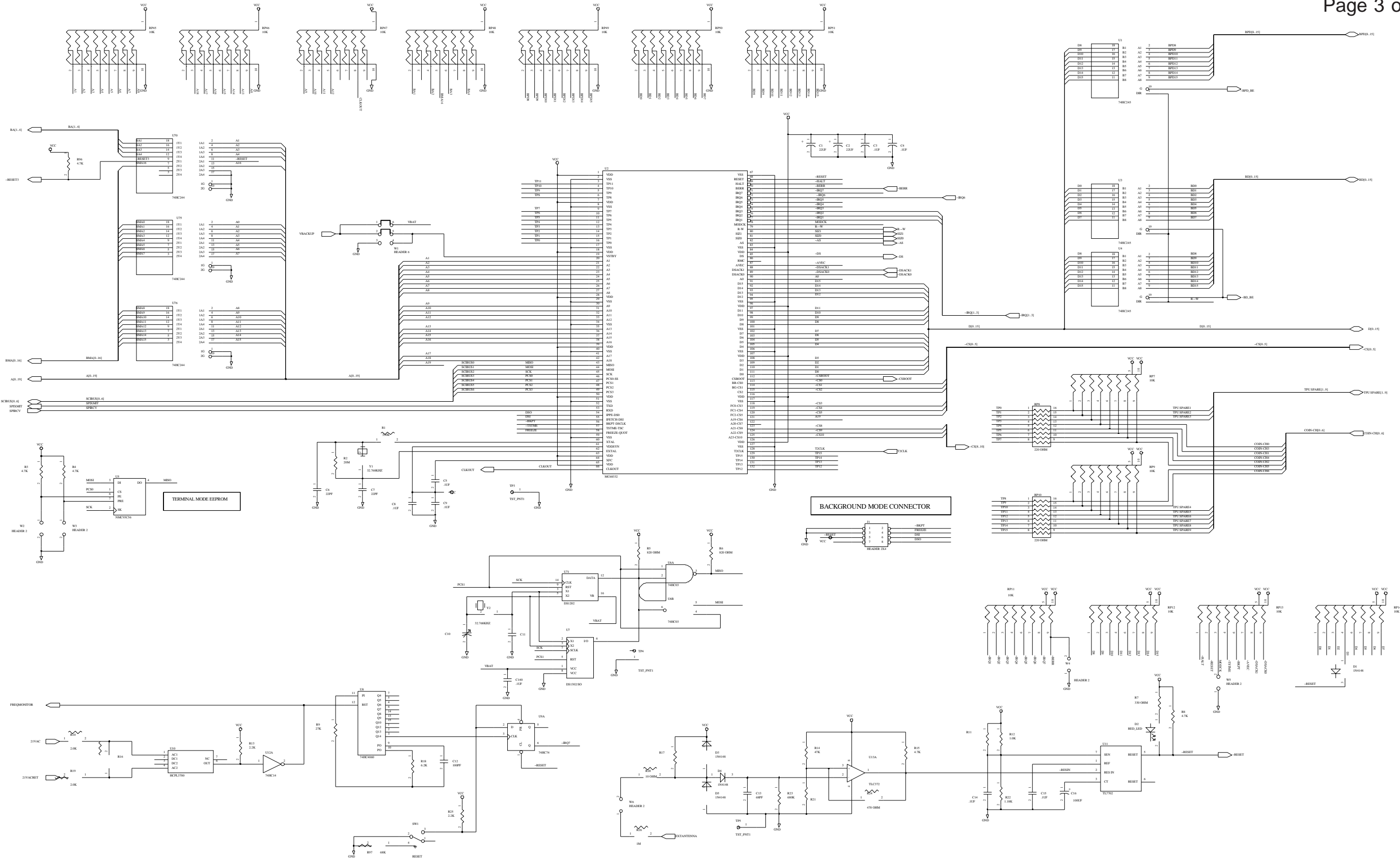
20	U1, U2	E-00620-0613	IC, PLB 3770A, STEPPER MOTOR DRIVER	2
19	OPT01, OPT02	E-00620-0621	SWITCH, OPTICAL SLOTTED	2
18	RP2	RPK-I16D2-0470	R ARRAY,1SOL,16PIN,DIP,_2%,_47	1
17	RP1	RPK-C08S2-0103	R ARRAY,1COM,8PIN,SIP,_2%,_10K	1
16	R9, R10	-----	NOT USED	0
15	R7, R8	RES-0C0Q5-0101	RES,CF,1/4W,_5%,_100	2
14	R3, R6	RES-0C0Q5-0563	RES,CF,1/4W,_5%,_56K	2
13	R2, R5	RES-0M011-01D0	RES,MF,_1W,_1%,_1.0	2
12	R1, R4	RES-0C0Q5-0102	RES,CF,1/4W,_5%,_1K	2
11	J2	E-00989-0008	HEADER, KK-100, 8 POSITION	1
10	J1	E-00989-0016	HEADER, KK-100, 16 POSITION	1
9	D4, D6	E-00713-0012	TRANSZORB, 36V.	2
8	D1-3, D5	E-00587-0058	DIODE, FAST, 1 A., 100V., 25 NS.	4
7	C16	E-00586-0227	CAP, .1 uF, 50V., CERAMIC AXIAL	1
6	C12	E-00586-0366	CAP, 100 uF, 50V. ALUM. 'LYTIC AXIAL	1
5	C4, C7	E-00586-0363	CAP, 10 uF, 10V., TANTALUM AXIAL	2
4	C3, C6	E-00586-0315	CAP, .001 uF, 50V., CERAMIC AXIAL	2
3	C2,C5,C8-11,C13-14	E-00586-0164	CAP, .001 uF, 50V., CERAMIC AXIAL	8
2	C1, C15	E-00586-0364	CAP, 1 uF, 50V. TANTALUM AXIAL	2
1		P-09018-0205	PC BOARD, USE ARTWORK M-2045-0205	1
ITEM	LOCATION	PART NUMBER	DESCRIPTION	QTY

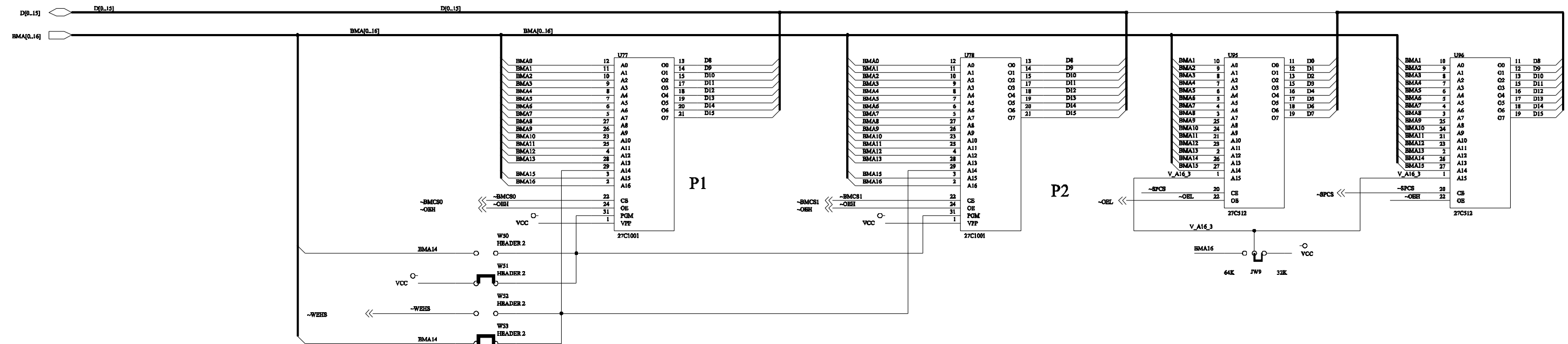


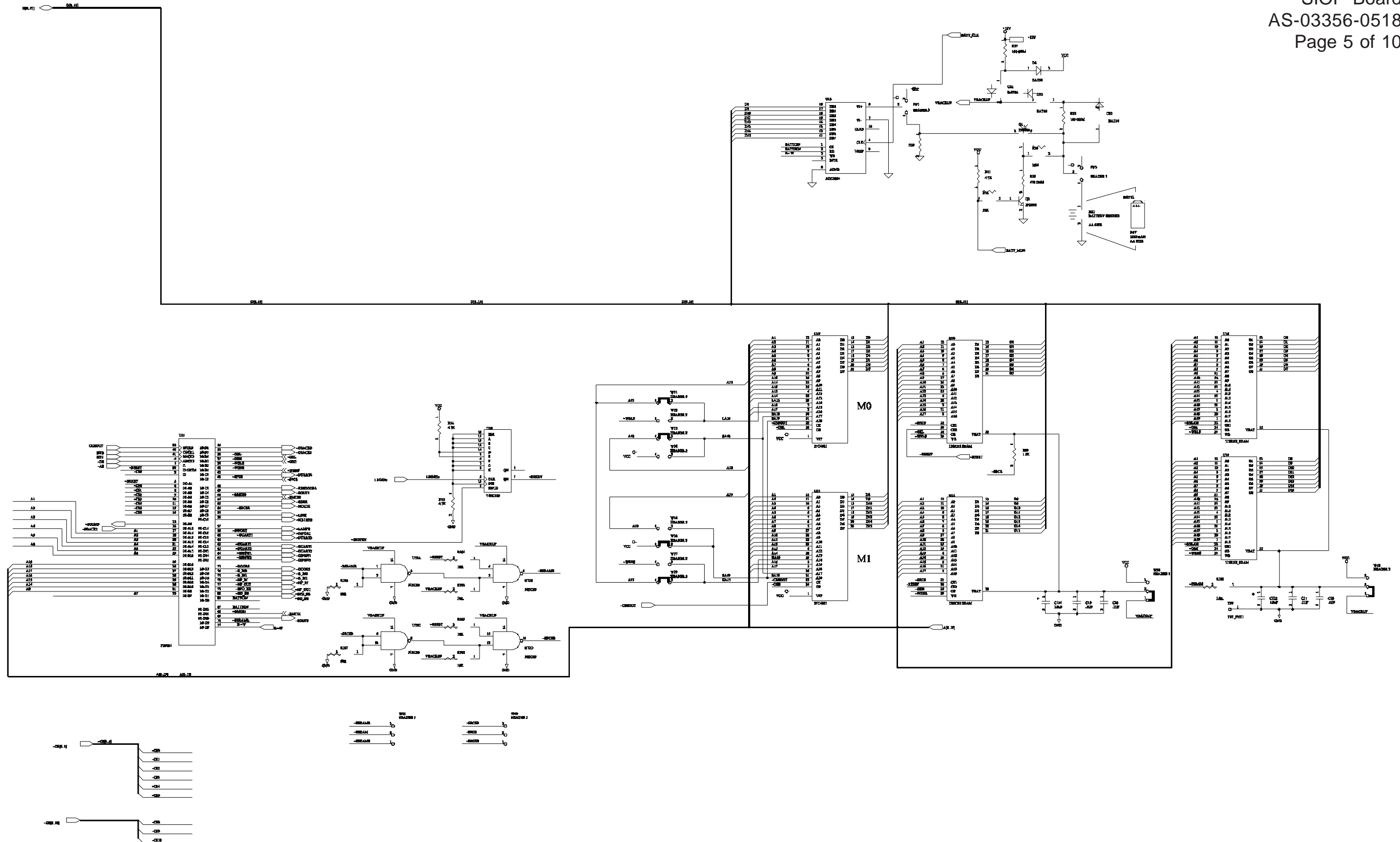
Serial Printer Interface Board
AS-03356-0500

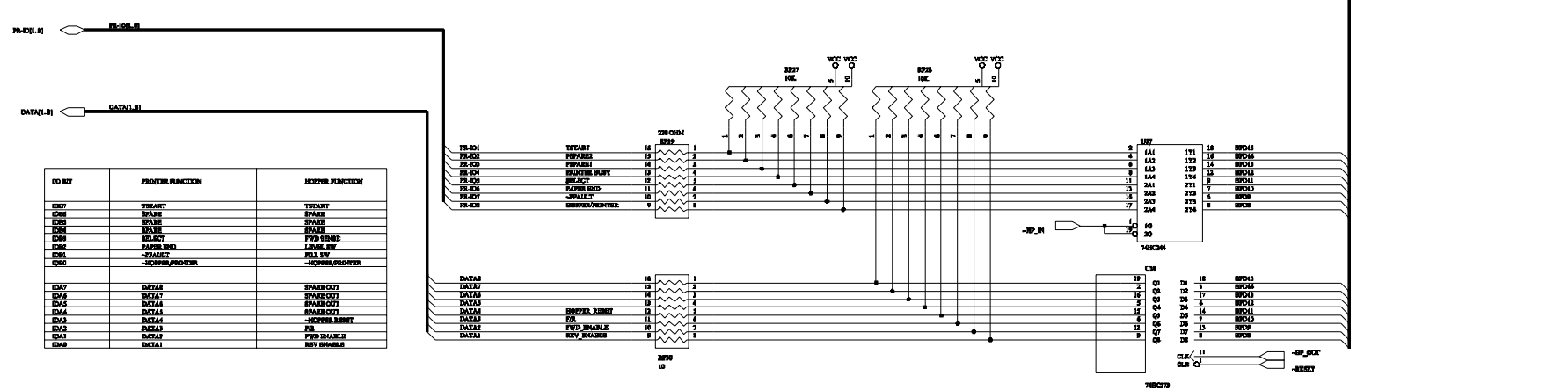
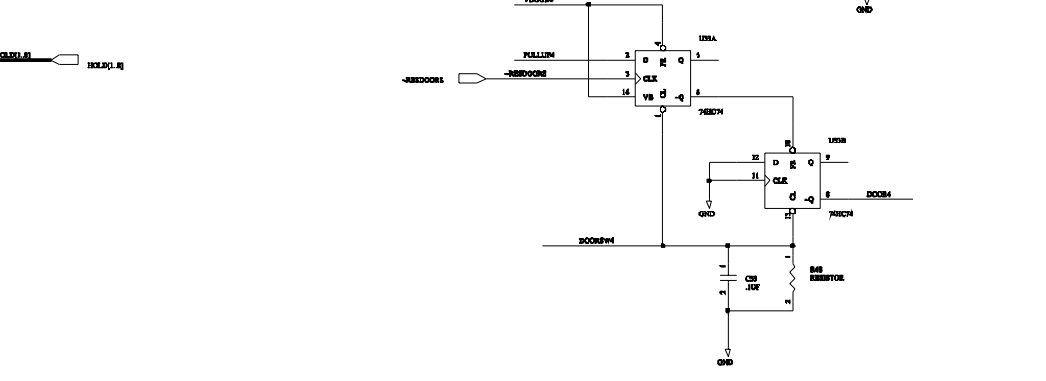
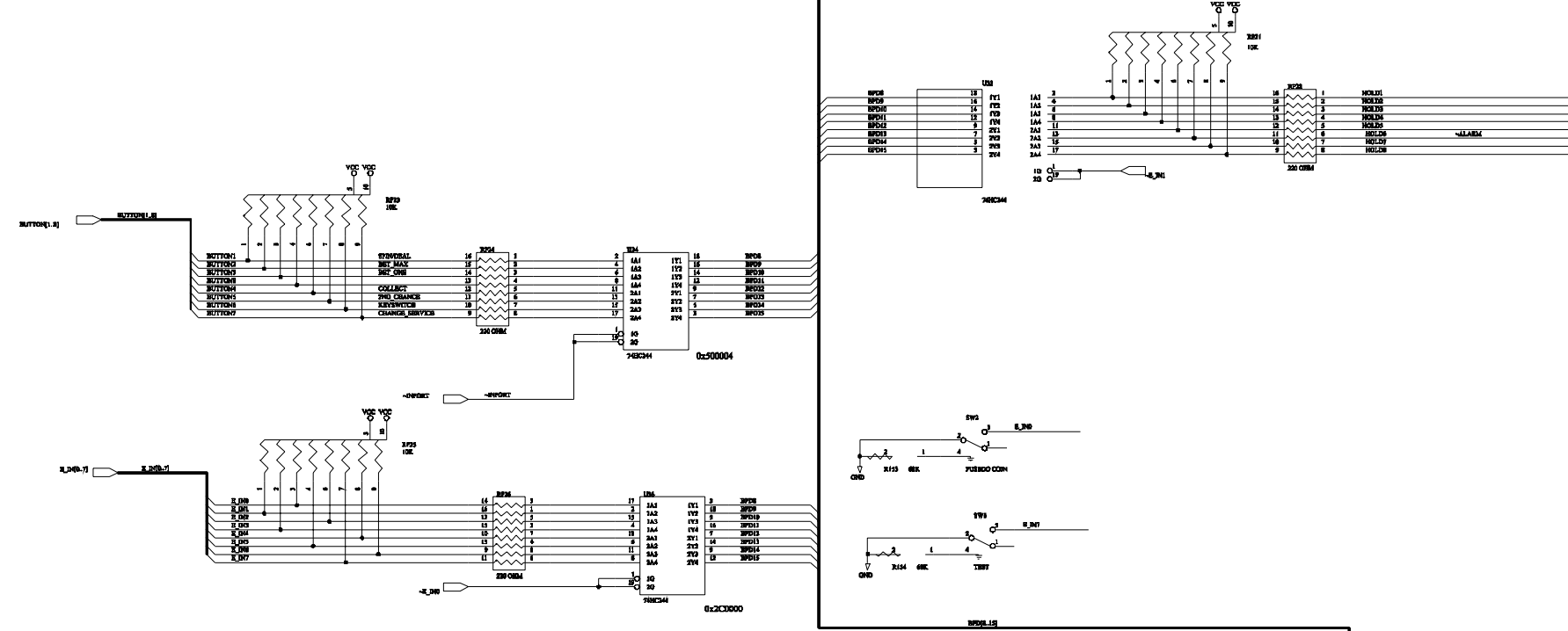
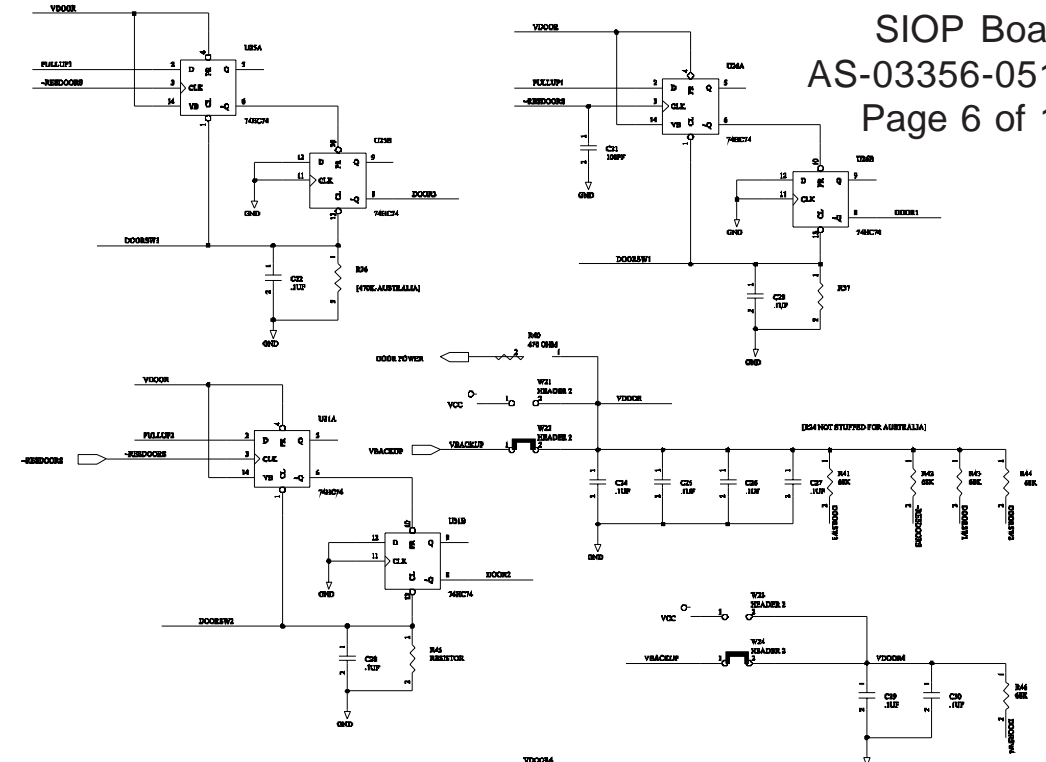
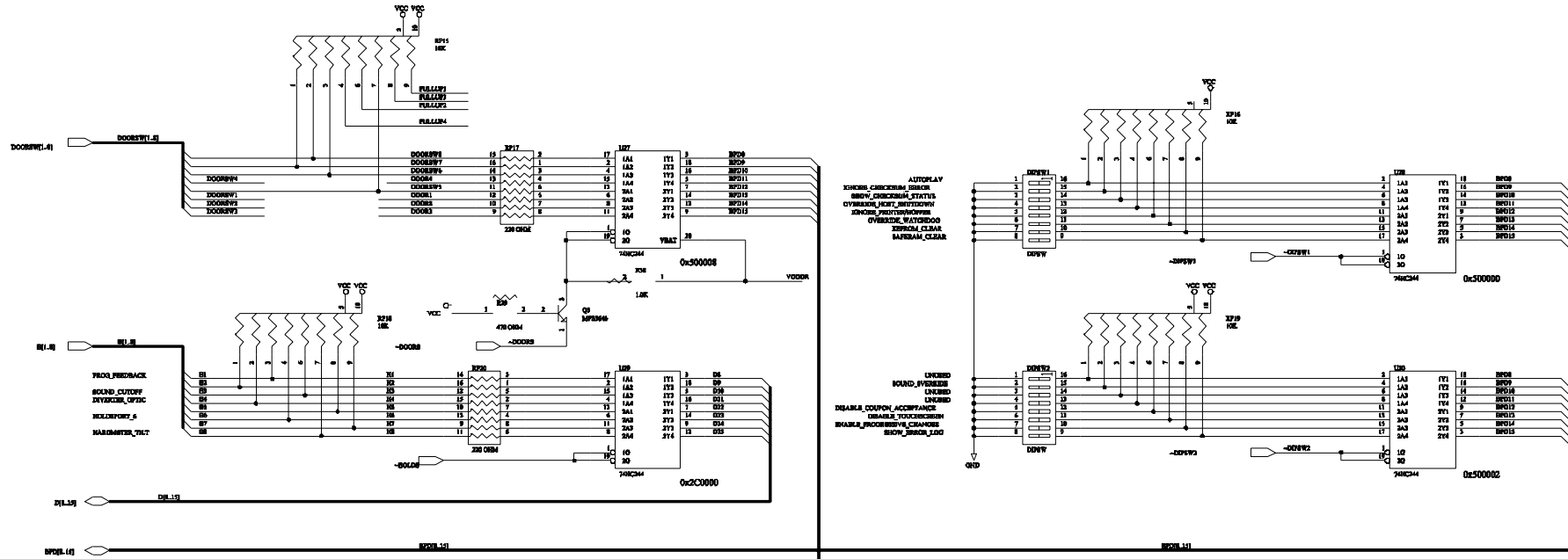




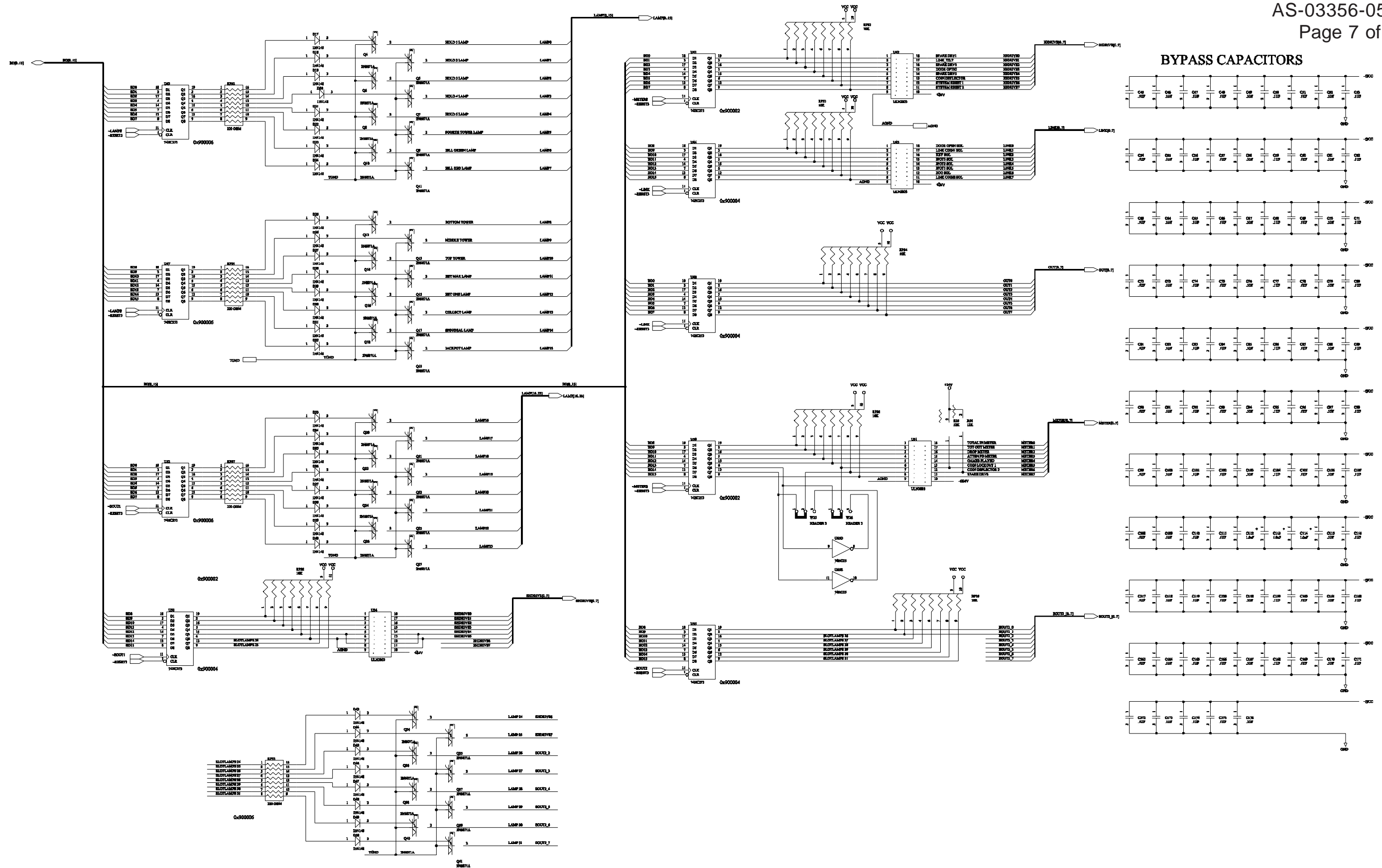


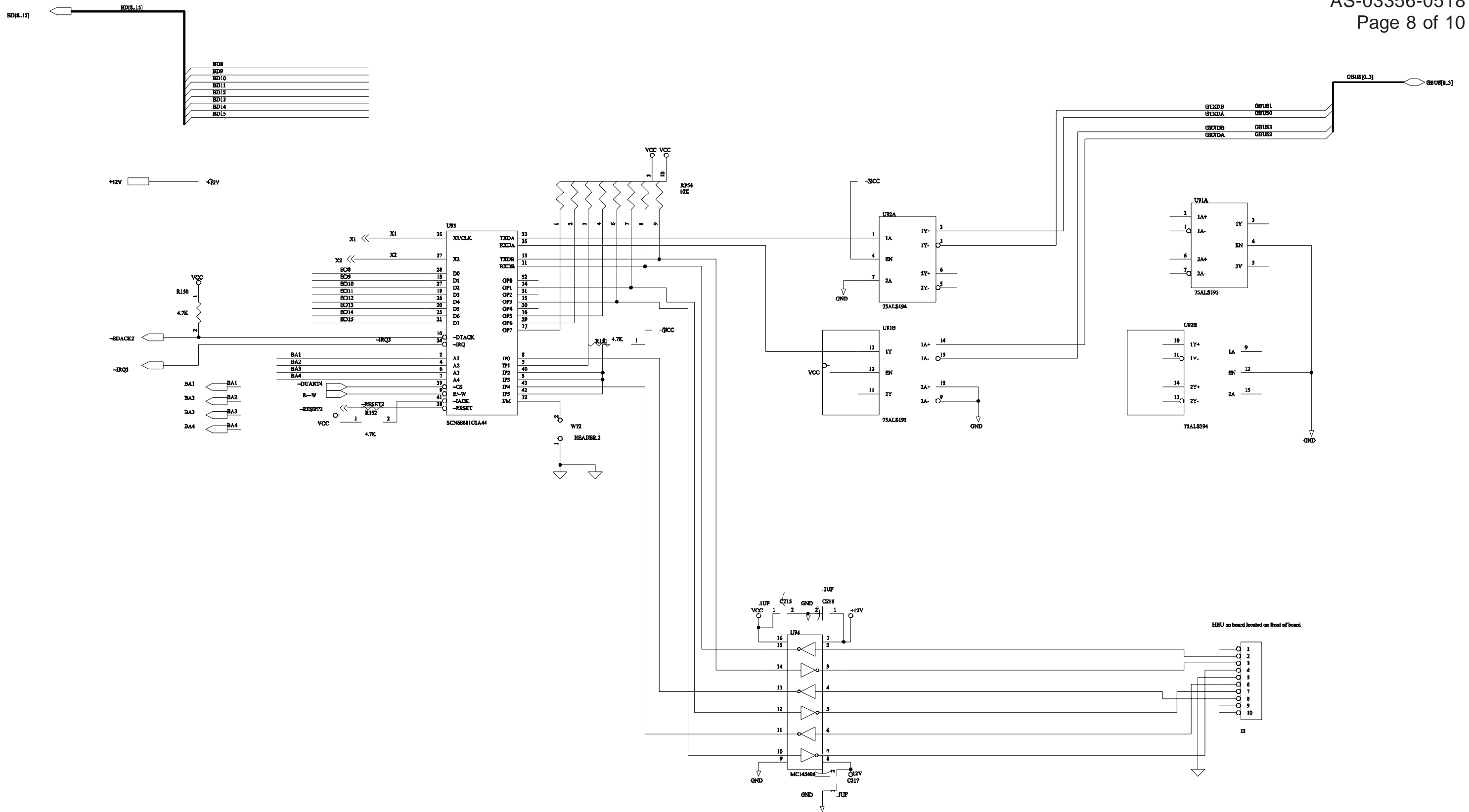


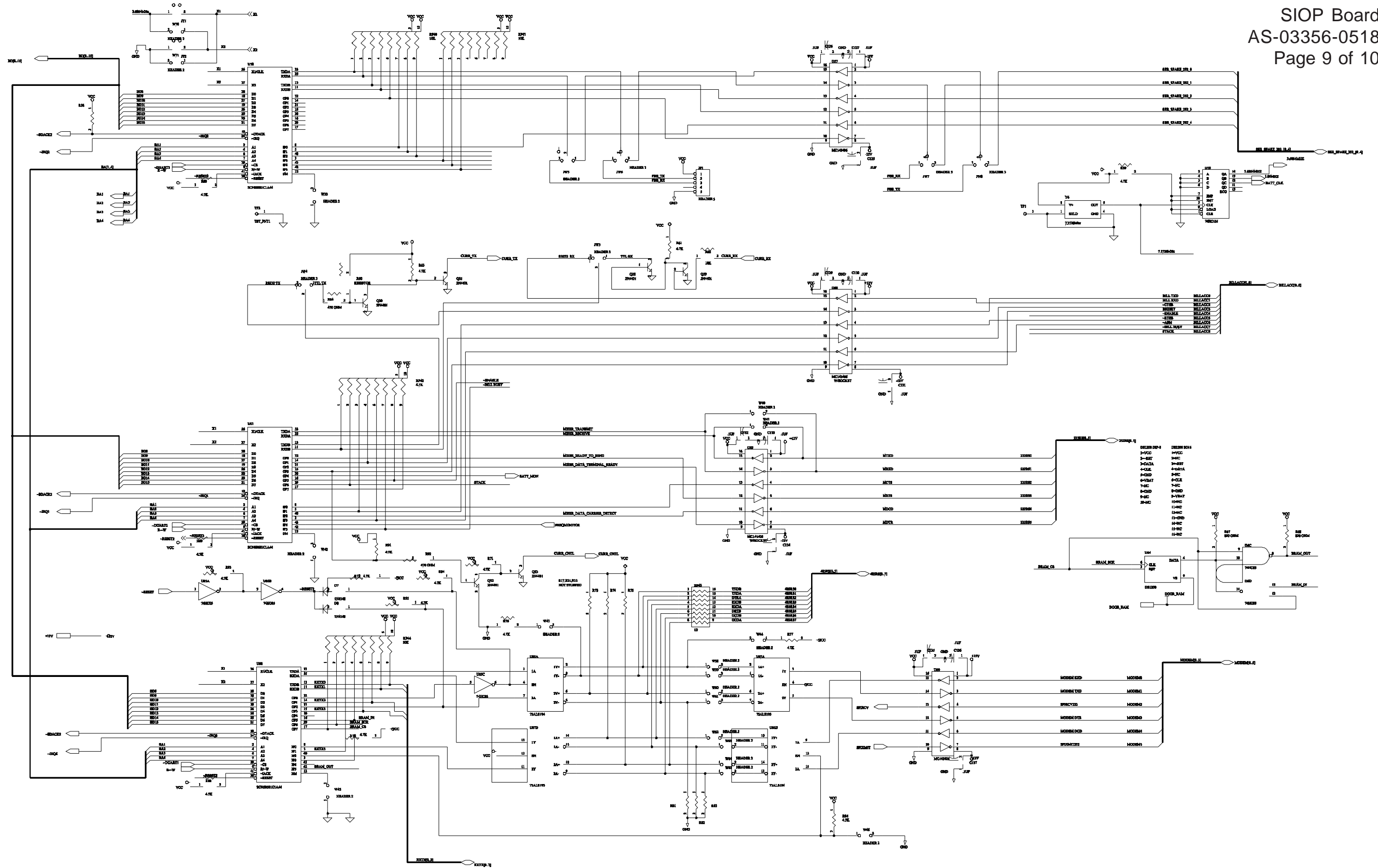




IO NET	FUNCTION	IO NET	FUNCTION
BU1	BU1	BU1	BU1
BU2	BU2	BU2	BU2
BU3	BU3	BU3	BU3
BU4	BU4	BU4	BU4
BU5	BU5	BU5	BU5
BU6	BU6	BU6	BU6
BU7	BU7	BU7	BU7
BU8	BU8	BU8	BU8
BU9	BU9	BU9	BU9
BU10	BU10	BU10	BU10
BU11	BU11	BU11	BU11
BU12	BU12	BU12	BU12
BU13	BU13	BU13	BU13
BU14	BU14	BU14	BU14
BU15	BU15	BU15	BU15
BU16	BU16	BU16	BU16
BU17	BU17	BU17	BU17
BU18	BU18	BU18	BU18
BU19	BU19	BU19	BU19
BU20	BU20	BU20	BU20
BU21	BU21	BU21	BU21
BU22	BU22	BU22	BU22
BU23	BU23	BU23	BU23
BU24	BU24	BU24	BU24
BU25	BU25	BU25	BU25
BU26	BU26	BU26	BU26
BU27	BU27	BU27	BU27
BU28	BU28	BU28	BU28
BU29	BU29	BU29	BU29
BU30	BU30	BU30	BU30
BU31	BU31	BU31	BU31
BU32	BU32	BU32	BU32
BU33	BU33	BU33	BU33
BU34	BU34	BU34	BU34
BU35	BU35	BU35	BU35
BU36	BU36	BU36	BU36
BU37	BU37	BU37	BU37
BU38	BU38	BU38	BU38
BU39	BU39	BU39	BU39
BU40	BU40	BU40	BU40
BU41	BU41	BU41	BU41
BU42	BU42	BU42	BU42
BU43	BU43	BU43	BU43
BU44	BU44	BU44	BU44
BU45	BU45	BU45	BU45
BU46	BU46	BU46	BU46
BU47	BU47	BU47	BU47
BU48	BU48	BU48	BU48
BU49	BU49	BU49	BU49
BU50	BU50	BU50	BU50
BU51	BU51	BU51	BU51
BU52	BU52	BU52	BU52
BU53	BU53	BU53	BU53
BU54	BU54	BU54	BU54
BU55	BU55	BU55	BU55
BU56	BU56	BU56	BU56
BU57	BU57	BU57	BU57
BU58	BU58	BU58	BU58
BU59	BU59	BU59	BU59
BU60	BU60	BU60	BU60
BU61	BU61	BU61	BU61
BU62	BU62	BU62	BU62
BU63	BU63	BU63	BU63
BU64	BU64	BU64	BU64
BU65	BU65	BU65	BU65
BU66	BU66	BU66	BU66
BU67	BU67	BU67	BU67
BU68	BU68	BU68	BU68
BU69	BU69	BU69	BU69
BU70	BU70	BU70	BU70
BU71	BU71	BU71	BU71
BU72	BU72	BU72	BU72
BU73	BU73	BU73	BU73
BU74	BU74	BU74	BU74
BU75	BU75	BU75	BU75
BU76	BU76	BU76	BU76
BU77	BU77	BU77	BU77
BU78	BU78	BU78	BU78
BU79	BU79	BU79	BU79
BU80	BU80	BU80	BU80
BU81	BU81	BU81	BU81
BU82	BU82	BU82	BU82
BU83	BU83	BU83	BU83
BU84	BU84	BU84	BU84
BU85	BU85	BU85	BU85
BU86	BU86	BU86	BU86
BU87	BU87	BU87	BU87
BU88	BU88	BU88	BU88
BU89	BU89	BU89	BU89
BU90	BU90	BU90	BU90
BU91	BU91	BU91	BU91
BU92	BU92	BU92	BU92
BU93	BU93	BU93	BU93
BU94	BU94	BU94	BU94
BU95	BU95	BU95	BU95
BU96	BU96	BU96	BU96
BU97	BU97	BU97	BU97
BU98	BU98	BU98	BU98
BU99	BU99	BU99	BU99
BU100	BU100	BU100	BU100







P1

P2

