



MODULE 3

MK3-EVMOD-0001

ASSEMBLIES, PARTS AND HARDWARE

©2002 BALLY GAMING AND SYSTEMS ALL RIGHTS RESERVED

Bally Gaming and Systems

6601 South Bermuda Road, Las Vegas, NV 89119

**For Customer Service and Information:
+1-702-896-7772 outside the U.S.
1-877-GO BALLY (877) 462-2559 in the U.S. and Canada
896-7772 in Las Vegas
FAX +1-702-896-7710
or visit our website at <http://www.ballygaming.com>**



Module 3

Assemblies, Parts and Hardware Table of Contents

Locks and Cams	5
2nd Keyswitch and Shipping Locks M-00281-(series)	5
Lock Requirements P-00758-(series)	5
Programmable Devices and Batteries	6
Circuit Boards AS-03356-(series)	6
Illumination E-00125-(series)	6
Cables	7
Coin Handling Parts	7
Denomination Change Kits for Machines with XS1200 Hoppers K-00811-(series)	7
Coin Entry	8
Coin Head Back Plates C-04110-(series)	9
Optic Board Mounting Block M-01755-(series)	9
U.S. Coin Parts for Evo® with an XS1200 Hopper	10
Hopper Assembly AS-06793-(series)	11
Coin Acceptor Selections	11
<i>Coin Mechanisms, Inc. RFI CC-16 E-00887-02xx</i>	11
<i>Coin Mechanisms, Inc. IC-16 E-00887-1xxx</i>	12
<i>Coin Mechanisms, Inc. MC-16 E-00887-6xxx</i>	12
<i>National Rejectors, Inc. (NRI) E-00887-45xx</i>	13
<i>Coin Controls, Inc. Condor E-00887-2xxx</i>	13
<i>IDX Coin Acceptors</i>	14
Cabinet Assembly	15
Cabinet Cable Assembly AS-03025-0170	16
Hopper Cable Assembly AS-03025-0134	17
Speaker Assembly AS-04617-0001	17
Handle Mechanism Assembly AS-02301-0028	18
Handle Assembly AS-02303-(series)	19
PC Housing Assembly AS-04173-0227	19
Backplane Board Assembly AS-04173-0230 (1 Lock)	20
SIOP/Tray Assembly AS-06902-0010 (1 Lock-Audio Assist)	20
Power Supply AS-04238-0064	21
Transformer Assembly	21
Reel Lights 120VAC 60Hz. AS-04616-0001	21
Transformer, 120VAC 60 Hz. E-00122-0217	22
Line Cord Assembly E-00126-(series)	22
Convenience Outlet Assembly AS-03268-(series)	23
Starter and Ballast Assembly 120VAC VAC 60 Hz. AS-03335-0501	23
Tower Selections	24

Assemblies, Parts and Hardware

Table of Contents (cont.)

Three Meter Assembly AS-04225-0081	26
Bell & Receptacle E-00664-0466	27
Three Reel Support, Lower Assembly AS-04703-0013	27
Reel, Wide, 9" M-03092-0003	27
Motor Assembly with Backlit Reel AS-04337-0001	28
Bill Acceptor Housing JCM/Mars/Ardac AS-06602-0003	29
JCM Bill Acceptor E-01100-(series)	29
<i>Bezel MB-J7800-0001</i>	29
<i>Bill Acceptor Guide GJ-04000-(series)</i>	29
<i>Bezel Guide G-07800-(series)</i>	29
Pentium PC Assembly AS-06901-0010	30
Door Assembly AS-08720-(series)	31
Trim Assembly A-04717-(series)	32
Five-Button Deck Assembly AS-08722-05P1	32
Six-Button Deck Assembly AS-08722-06P1	33
Seven-Button Deck Assembly AS-08722-07P1	33
Square Legend Plate BL-04738-(series)	34
Rectangular Legend Plate BL-04571-SERIES	34
Belly Door Assembly A-08722-(series)	35
Display Glass Light Assembly AS-03361-0026	36
Coin Panel Assembly (Hopper) AS-03210-0094	37
Coin Panel Assembly (Printer) AS-03210-0105	38
Coin Tray AS-05998-(series)	39
Top Box, Oval Top (System) AS-04222-0398	39
Top Box Door Assembly (System) A-07234-01(Series)	40
Top Box Door Assembly (No System) A-07234-02(Series)	40
Starter/Ballast Assembly, 60Hz. AS-02335-0090	41
Starter/Ballast Assembly, 50Hz. AS-03335-0408	42
System Panels	43
Part Number Structure	46
Evo® Hybrid Model Number	47
Appendix A - Lock Cams	48

Module 3

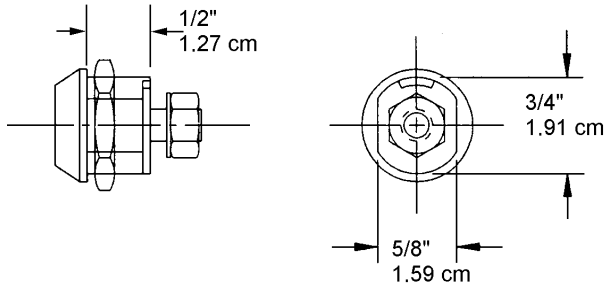
Assemblies, Parts and Hardware

Locks and Cams

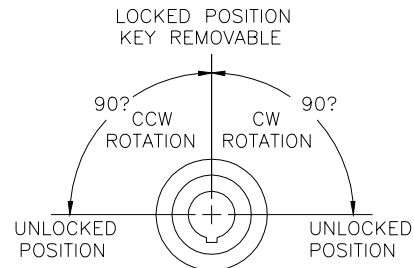
Locks for Keyswitches, I/O Assembly, CD ROM Door, and the Pentium Assembly have been installed at the factory. Cams are provided for the doors and other security locks that the Operator must purchase.

Single or Dual lock configurations are possible. All lock openings are $\frac{5}{8}$ " (1.59cm) by $\frac{3}{4}$ " (1.91cm). The locks are 90 degree rotation. The keys should be removable only in the locked position.

Locks $1\frac{1}{8}$ " (2.86cm) long can be used with spacers to maintain the $\frac{1}{2}$ " (1.27cm) lock length.



Illustrations of cams are provided in Appendix A.



EITHER "CW" OR "CCW" MAY BE OBTAINED BY CHANGING ORIENTATION OF STOP CAM ON BACK OF LOCK.

Lock Requirements

P-00758-(series)

2nd Keyswitch and Shipping Locks

M-00281-(series)

Keyswitch and Shipping Locks		
Part #	Description	Where Used
M-00281-158C	Switch, Locking Reset (Key X000001)	Audit Keyswitch
M-00281-0171	Switch, Locking Reset (Key 2341)	Audit Keyswitch
M-00281-0172	Switch, Locking Reset (Key X000010)	Second Keyswitch (Tournament, Knockoff)
M-00281-0184	Lock, Thumb-Turn, ($\frac{5}{8}$ "	Shipping Lock



Parts indicated as "Express" are in stock and available for shipment within 24 hours after receiving an order.

Locks and Cams		
Location	Hardware	Part #
Main Door	Single Lock Cam	P-00758-0093
	Dual Locks add quantity 2	
Belly Door	Single Lock Cam	P-00758-0151
	Dual Locks add P-00758-0157	
Stacker Access Door	Single Lock Cam	P-00758-0155
	Dual Locks add quantity 2 P-00758-0152 GPT	
	Two cams provided by JCM #0943PT0504	
Bill acceptor Stacker	P-00758-0094	
	Lock, Key 5293	M-00281-162A
CD ROM Access Door (Factory Installed)	Cam	P-00758-0159
	Lock, Key 5293	M-00281-162A
Pentium PC Housing (Factory Installed)	Cam	P-00758-0094
	Keypad, Key H2341	M-00281-0171
Audit Keyswitch (Factory Installed)	Lock, Key 52593	M-00281-162A
	Cam	P-00758-0185
Top Box Door (Factory Installed)	Lock, Key 52593	M-00281-162A
	Cam	P-06434-0007
Data Tracking System (Factory Installed)	Lock, Key 52593	M-00281-162A
	Cam	P-06434-0007

Programmable Devices and Batteries

Programmable Devices and Batteries		
Part #	Description	Where Used
E-00628-0024	Battery, Lithium, 3.6V	SIOP Board
E-00867-0037	Blank EPROM, 1MEG,128K X 8, 80NS	JCM WBA Bill Acceptor
E-00867-0039	Blank EPROM, 2MEG,256K X 8,120NS	Graphics
E-00867-0045	Blank EPROM, 4MEG,512K X 8,120NS	Main M0, M1
E-00882	Jumper	SIOP Board
E-01091-0004	Programmed COD Controller, PIC16C54, V5.1	AS-03356-0303 COD Board
E-01056-0018	Programmed Controller, 16F84, FET-003	AS-03356-0368 Hopper Controller Board
E-ICS00-0005	Serial RAM	SIOP Board

Circuit Boards

AS-03356-(series)

Circuit Boards	
Part #	Description
AS-03356-0519	Backplane Board
AS-03356-0454	Bill Exit Light Board
AS-03356-0303	Coin Optic Decoder 2 Board
AS-03356-0428	Door Optic Detector Board
AS-03356-0427	Door Optic Emitter Board
AS-03356-0509	Graphics Card
AS-03356-0368	Hopper Control Board
AS-03356-0431	LED Board, JCM WBA
AS-03356-0572	LED Board, Left, Playboy
AS-03356-0573	LED Board, Left Ear, Playboy
AS-03356-0574	LED Board, Right Ear, Playboy
AS-03356-0575	LED Board, Right, Playboy
AS-03356-0526	Light Board, Back-Lit Reels
AS-03356-0543	MCU, P3, ADA STRA
AS-03356-0542	MCU/Pentium3/Fan/RAM
AS-03356-0505	Power Distribution Board
AS-03356-0520	Reel Control Unit
AS-03356-0527	Reel Driver Board
AS-03356-0500	Serial Printer Interface Board
AS-03356-0518	SIOP Board
AS-03356-0531	SIOP Board, Audio Assist

Illumination

E-00125-(series)

Illumination	
Part #	Description
E-00125-0089	Lamp, #159, Incandescent
E-00125-0120	Lamp, #193, T3-1/4,14V, Wedge Base
E-00125-0095	Lamp, #86, 6.3V Incandescent (Button Lamp)
E-00412-0021	Lamp, Fluorescent, 11.5" (29.21cm), 8W
E-00412-0025	Lamp, Fluorescent, F4T5/CW
E-00412-0006	Lamp, Fluorescent, F6T5/CW
E-00412-0013	Lamp, Fluorescent, F15T8/CW
E-04111-0008	Starter, Fluorescent, FS-2
E-04111-0009	Starter, Fluorescent, 110-220V,4-22W
E-00411-0010	Starter, Fluorescent CE97

Cables

Cables	
Part #	Description
CBL-30532-0001	Auxiliary A/C Adapter, 3-way
CBL-20249-0001	Backplane Interconnect
CBL-20214-0001	Bill Acceptor Door
CBL-30548-0001	Cabinet
CBL-30229-0001	CC-16/COD
CBL-20215-0001	Coin Acceptor, CC-46/IDX
CBL-30229-0002	COD/CONDOR
CBL-30547-0001	Deck, 7-button
CBL-30546-0001	Door, Upright
CBL-30393-0001	Extended Top, 2 Light
CBL-30312-0001	Feature Box
CBL-20045-0001	Four-Tier Tower
CBL-20317-0001	GCB Access Port
CBL-20187-0001	GPT Bill Acceptor
CBL-20188-0001	GPT Bill Box Connection
CBL-30528-0001	GPT Bill Acceptor
CBL-30100-0001	Hopper
CBL-30227-0001	Hopper
CBL-30476-0001	Hopper
CBL-20065-0001	Hopper, Dual Probe
CBL-20319-0003	IOP Door Switch

Cables	
Part #	Description
CBL-20227-0001	Knock Down
CBL-20255-0001	Light, Door Panel
CBL-20306-0001	MC-16 Interface
CBL-30520-0001	MPU Housing
CBL-30519-0001	MPU Power/Reset
CBL-30487-0001	NRI Coin Acceptor
CBL-30412-0001	Power Supply
CBL-20318-0001	Printer, SEIKO #PSA-66ST-RS232
CBL-30558-0001	Reel Control Board
CBL-30584-0001	Reel Transformer, 120VAC
CBL-30585-0001	Reel Transformer, 220VAC
CBL-30623-0001	Reel/RCU, Three-Reel
AS-02988-0229	Ribbon, IDE
CBL-30483-0002	Seiko Printer Interface
E-00664-0604	Seiko Printer Interface
CBL-30549-0001	Signal
E-00537-7623	Super Hopper
CBL-20238-0001	System Interface
CBL-20095-0001	Tower Extension
CBL-30529-0001	WBA-10/11
CBL-30518-0001	WBA-12/13, Sentry

Coin Handling Parts


Denomination Change Kits for Machines with XS1200 Hoppers K-00811-(series)

Parts needed to change the coin denomination accepted are available in kits.

Each kit contains the necessary coin entry and hopper parts for the XS1200 hopper. Refer to the following matrix for kit numbers:

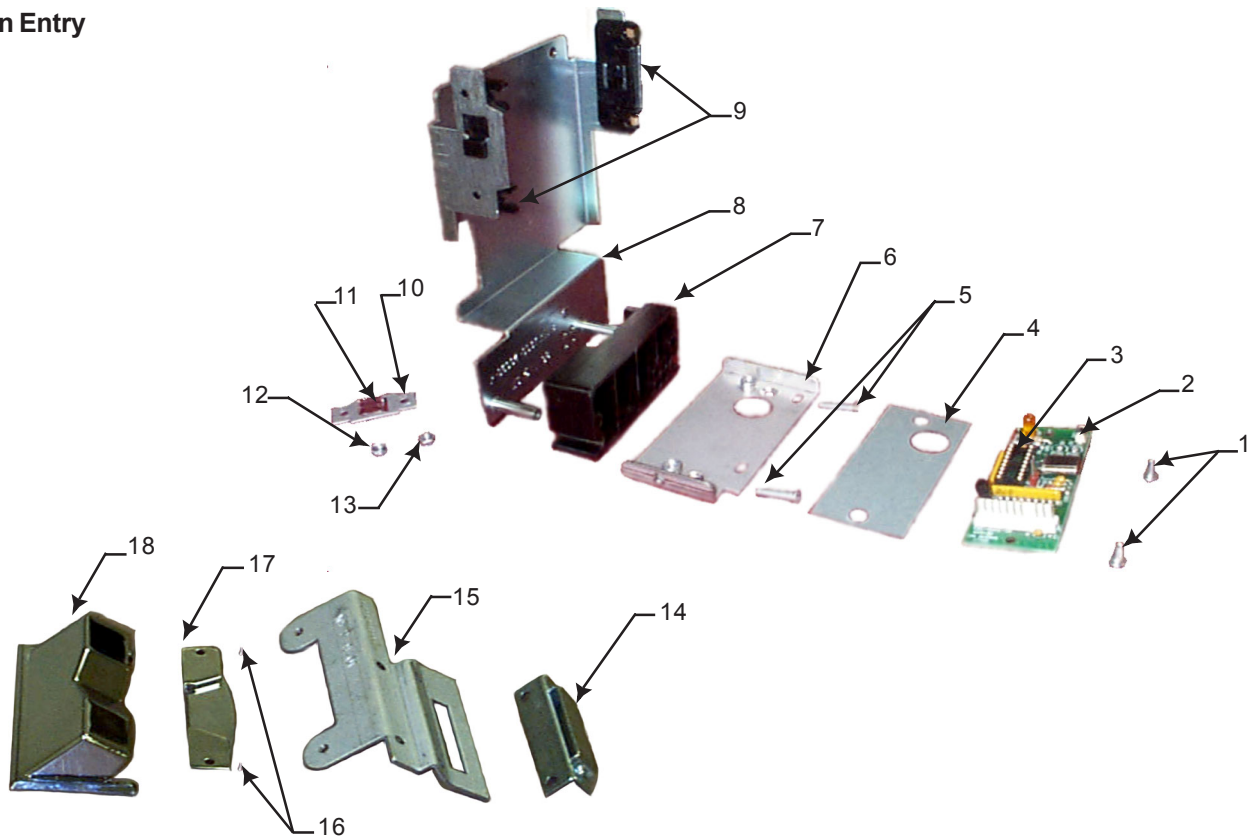
		To		
		5¢	25¢	\$1
From	5¢		K-00811-0041	K-00811-0043
	25¢	K-00811-0042		K-00811-0043
	\$1	K-00811-0046	K-00811-0044	



Parts indicated as  "Express" are in stock and available for shipment within 24 hours after receiving an order.

Coin Handling Parts (cont.)

Coin Entry



Coin Entry			
Item	Qty.	Part #	Description
1	2	LSPP-00632-1104	Screw
2	1	AS-03356-0303	Coin Optic Decoder 2 Board
3	1	E-01091-0004	Programmed COD51, PIC16C54
4	1	P-00150-0288	COD Fishpaper
5	2	LSPP-00832-1106	Screw
6	1	P-09384-0001	Plate, Front Optic Block
7	1	See Chart on Page 3-10	Optic Board Mounting Block
8	1	P-06004-0037	Bracket, Coin Acceptor, Narrow
		P-06004-0036	Bracket, Coin Acceptor, Wide
		P-06004-0109	Bracket, Coin Acceptor, IDX X70
9	2	M-06002-0002	Clip, Coin Acceptor Mounting
10	1	M-01755-0942	Prism, Coin Optic

Coin Entry			
Item	Qty.	Part #	Description
11	1	P-09322-0196	Bracket, Prism Mounting
12	1	NLS-00440-1112	Nut
13	1	NLS-00632-1112	Nut
14	1	P-09319-0200	Guide, Coin, .7 - 1.25
		P-09319-0211	Guide, Coin, 1.25 - 2.0
15	1	P-09319-0299	Bracket, Coin Head Clamp, .7 - 1.25
		P-09319-0300	Bracket, Coin Head Clamp, 1.25 - 2.0
16	2	NMPL-00440-1106	Screw
17	1	See Chart on Page 3-10	Back Plate, Gold or Chrome
18	1	C-04711-002A	Base, Coin Head Polished Chrome
		C-04711-003A	Base, Coin Head Polished Brass
		C-04711-004A	Base, Coin Head Gold

Coin Handling Parts (cont.)

Coin Head Back Plates C-04110-(series)

Back Plates						
Part #	Description	Dimensions				
		Width		Depth		
C-04110-1001	Back Plate, Chrome	0.74"	18.796 mm	0.065"	1.651 mm	
C-04110-4001	Back Plate, Gold	0.74"	18.796 mm	0.065"	1.651 mm	
C-04110-1002	Back Plate, Chrome	0.78"	19.812 mm	0.090"	2.286 mm	
C-04110-4002	Back Plate, Gold	0.78"	19.812 mm	0.090"	2.286 mm	
C-04110-1003	Back Plate, Chrome	0.80"	20.32 mm	0.090"	2.286 mm	
C-04110-4003	Back Plate, Gold	0.80"	20.32 mm	0.090"	2.286 mm	
C-04110-1004	Back Plate, Chrome	0.83"	21.082 mm	0.090"	2.286 mm	
C-04110-4004	Back Plate, Gold	0.83"	21.082 mm	0.090"	2.286 mm	
C-04110-1005	Back Plate, Chrome	0.86"	21.844 mm	0.090"	2.286 mm	
C-04110-4005	Back Plate, Gold	0.86"	21.844 mm	0.090"	2.286 mm	
C-04110-1006	Back Plate, Chrome	0.89"	22.606 mm	0.090"	2.286 mm	
C-04110-4006	Back Plate, Gold	0.89"	22.606 mm	0.090"	2.286 mm	
C-04110-1007	Back Plate, Chrome	0.94"	23.876 mm	0.090"	2.286 mm	
C-04110-4007	Back Plate, Gold	0.94"	23.876 mm	0.090"	2.286 mm	
C-04110-1008	Back Plate, Chrome	0.98"	24.892 mm	0.090"	2.286 mm	
C-04110-4008	Back Plate, Gold	0.98"	24.892 mm	0.090"	2.286 mm	
C-04110-1009	Back Plate, Chrome	1.02"	25.908 mm	0.090"	2.286 mm	
C-04110-4009	Back Plate, Gold	1.02"	25.908 mm	0.090"	2.286 mm	

Back Plates						
Part #	Description	Dimensions				
		Width		Depth		
C-04110-1010	Back Plate, Chrome	1.05"	26.67 mm	0.090"	2.286 mm	
C-04110-4010	Back Plate, Gold	1.05"	26.67 mm	0.090"	2.286 mm	
C-04110-1011	Back Plate, Chrome	1.07"	27.178 mm	0.090"	2.286 mm	
C-04110-4011	Back Plate, Gold	1.07"	27.178 mm	0.090"	2.286 mm	
C-04110-1012	Back Plate, Chrome	1.09"	27.686 mm	0.090"	2.286 mm	
C-04110-4012	Back Plate, Gold	1.09"	27.686 mm	0.090"	2.286 mm	
C-04110-1017	Back Plate, Chrome	1.12"	28.448 mm	0.090"	2.286 mm	
C-04110-4017	Back Plate, Gold	1.12"	28.448 mm	0.090"	2.286 mm	
C-04110-1013	Back Plate, Chrome	1.14"	28.956 mm	0.090"	2.286 mm	
C-04110-4013	Back Plate, Gold	1.14"	28.956 mm	0.090"	2.286 mm	
C-04110-1014	Back Plate, Chrome	1.18"	29.972 mm	0.090"	2.286 mm	
C-04110-4014	Back Plate, Gold	1.18"	29.972 mm	0.090"	2.286 mm	
C-04110-1015	Back Plate, Chrome	1.21"	30.734 mm	0.090"	2.286 mm	
C-04110-4015	Back Plate, Gold	1.21"	30.734 mm	0.090"	2.286 mm	
C-04110-1016	Back Plate, Chrome	1.24"	31.496 mm	0.090"	2.286 mm	
C-04110-4016	Back Plate, Gold	1.24"	31.496 mm	0.090"	2.286 mm	
C-04110-1018	Back Plate, Chrome	1.29"	32.766 mm	0.090"	2.286 mm	
C-04110-4018	Back Plate, Gold	1.29"	32.766 mm	0.090"	2.286 mm	

Also Available

C-04111-1(series)
Back Plate, Chrome
C-04111-4(series)
Back Plate, Gold
C-04112-1(series)
Back Plate, Chrome
C-04112-4(series)
Back Plate, Gold



Optic Board Mounting Block M-01755-(series)

Optic Board Mounting Block						
Part #	Description	Dimensions				
		Width		Depth		
M-01755-0965	Optic Board Mounting Block 10¢	0.980"	24.892 mm	0.120"	3.048 mm	
M-01755-0946	Optic Board Mounting Block 5¢, 10FF	1.075"	27.305 mm	0.120"	3.048 mm	
M-01755-0945	Optic Board Mounting Block 25¢	1.187"	30.150 mm	0.120"	3.048 mm	
M-01755-0963	Optic Board Mounting Block \$1 (AS)	1.187"	30.150 mm	0.165"	4.191 mm	
M-01755-0947	Optic Board Mounting Block 50¢, 2/5FF	1.320"	33.528 mm	0.120"	3.048 mm	
M-01755-0943	Optic Board Mounting Block \$1,50FF	1.610"	40.894 mm	0.165"	4.191 mm	
M-01755-0944	Optic Board Mounting Block \$5/10/100	1.850"	46.990 mm	0.165"	4.191 mm	
M-01755-0989	Optic Board Mounting Block \$5, CONDOR	1.880"	47.752 mm	0.165"	4.191 mm	
M-01755-0948	Optic Board Mounting Block \$25 TKN.	2.000"	50.800 mm	0.165"	4.191 mm	
M-01755-0979	Optic Board Mounting Block \$25 IDX	2.000"	50.800 mm	0.165"	4.191 mm	



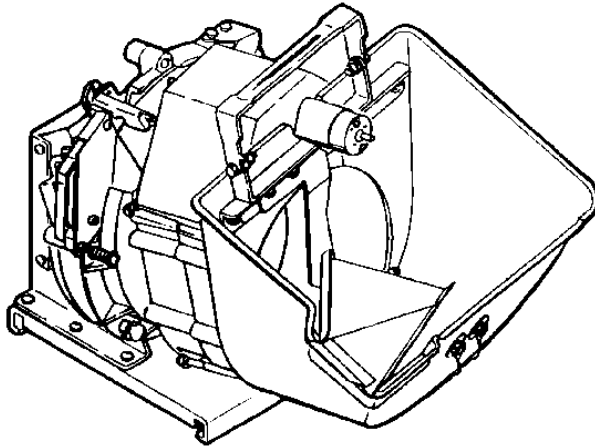
Coin Handling Parts (cont.)

U.S. Coin Parts for Evo® with an XS1200 Hopper

Coin	Dimensions		Hopper	Hopper With Mixer	Back Plate	Bracket, Coin Head Clamp	Coin Guide
	Diameter	Thickness					
Dime	0.705" 17.90 mm	0.053" 1.35 mm	None	None	C-04110-1001	P-09319-0299	P-09319-0200
Penny	0.750" 19.05 mm	0.062" 1.57 mm	None	None	C-04110-1003	P-09319-0299	P-09319-0200
Nickel	0.825" 20.96 mm	0.078" 1.98 mm	AS-06793-0008	AS-06793-1008	C-04110-1005	P-09319-0299	P-09319-0200
Token .25	0.865" 21.97 mm	0.067" 1.70 mm	AS-06793-0001	AS-06793-1001	C-04110-1005	P-09319-0299	P-09319-0200
Quarter	0.955" 24.26 mm	0.067" 1.70 mm	AS-06793-0001	AS-06793-1001	C-04110-1008	P-09319-0299	P-09319-0200
Half	1.205" 30.61 mm	0.086" 2.18 mm	AS-06793-0005	AS-06793-1005	C-04110-1016	P-09319-0299	P-09322-0211
Dollar	1.500" 38.10 mm	0.100" 2.54 mm	AS-06793-0002	AS-06793-1002	C-04111-1006	P-09319-0300	P-09322-0211
\$100	1.595" 40.51 mm	0.090" 2.29 mm	AS-06793-0010	AS-06793-1010	C-04111-1008	P-09319-0300	P-09322-0211
\$10	1.740" 44.20 mm	0.125" 3.18 mm	None	None	C-04111-1011	P-09319-0300	P-09322-0211
\$5	1.750" 44.45 mm	0.125" 3.18 mm	AS-06793-0006	AS-06793-1006	C-04111-1011	P-09319-0300	P-09322-0211
\$25	1.875" 47.625 mm	0.125" 3.18 mm	AS-06793-0007	AS-06793-1007	C-04111-1012	P-09319-0300	P-09322-0211
Coin	Optic Board Mounting Block	Coin Acceptor	Mounting Bracket	Tower Lens	Tower Color	Denomination Decal	Coin Knife
Dime	M-01755-0965	E-00887-0209	P-06004-0037	M-02100-0205	Green	D100-10C++-BERM	M-03068-0006
Penny	M-01755-0965	E-00887-0209	P-06004-0037	M-02100-0202	Red	D100-1CENT-BERM	M-03068-0006
Nickel	M-01755-0946	E-00887-0201	P-06004-0037	M-02100-0202	Red	D100-.05++-BERM	M-03068-0006
Token .25	M-01755-0945	E-00887-0201	P-06004-0037	M-02100-0204	Yellow	D100-TOK25-BERM	M-03068-0006
Quarter	M-01755-0945	E-00887-0201	P-06004-0037	M-02100-0204	Yellow	D100-.25++-BERM	M-03068-0006
Half	M-01755-0947	E-00887-0205	P-06004-0037	M-02100-0206	Coral	D100-50C++-BERM	M-03068-0006
Dollar	M-01755-0943	E-00887-0203	P-06004-0037	M-02100-0203	Blue	D100-\$1+++ -BERM	M-03068-0006
\$100	M-01755-0944	E-00887-0208	P-06004-0037	M-02100-0201	White	D100-\$100+-BERM	M-03068-0006
\$10	M-01755-0944	E-00887-0204	P-06004-0036	M-02100-0207	Purple	D100-\$10++-BERM	M-03068-0007
\$5	M-01755-0944	E-00887-0202	P-06004-0036	M-02100-0207	Purple	D100-\$5+++ -BERM	M-03068-0007
\$25	M-01755-0948	E-00887-0202	P-06004-0036	M-02100-0207	Purple	D100-\$25+++ -BERM	M-03068-0007
Coin	Pin Wheel	Shelf Wheel	Shelf Wheel Spacer	Cover Coin Outlet	Coin Deflector	Agitator	Hopper Bowl Spacer
Dime	P-00842-009B	P-00847-0001	None	P-00838-0011	P-00839	R-00526-0003	S-00231-1028
Penny	P-00842-009B	P-00847-0001	None	P-00838-0011	P-00839	R-00526-0003	S-00231-1028
Nickel	P-00842-009B	P-00847-0028	None	P-00838-0011	P-00839	R-00526-0003	None
Token .25	P-00842-010B	P-00847-0002	None	P-00838-0011	P-00839	R-00526-0003	None
Quarter	P-00842-010B	P-00847-0002	None	P-00838-0011	P-00839	R-00526-0003	None
Half	P-00842-010B	P-00847-0003	None	P-00838-0011	P-00839	R-00526-0003	None
Dollar	P-00842-011B	P-00847-0006	None	P-00838-0011	P-00839	R-00526-0003	None
\$100	P-00842-013A	P-00847-0014	None	P-00838-0012	P-00839	R-00526-0001	None
\$10	A-04308-001A	P-00847-0025	P-00847-0024	P-00838-0012	P-00839-0004	R-00526-0001	None
\$5	A-04308-001A	P-00847-0023	P-00847-0024	P-00838-0012	P-00839-0004	R-00526-0001	None
\$25	A-04308-001A	P-00847-0016	P-00847-0022	P-00838-0012	P-00839-0004	R-00526-0001	None

Coin Handling Parts (cont.)

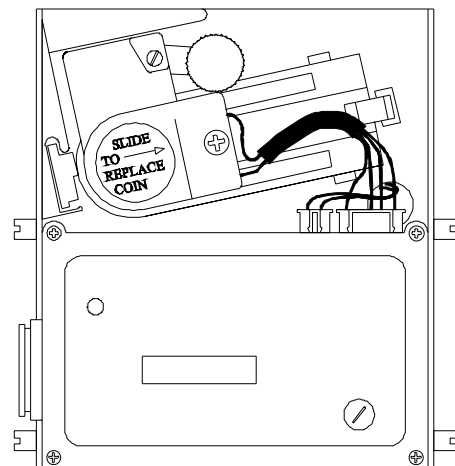
Hopper Assembly AS-06793-(series)



Hopper Assemblies					
Part #	Description	Coin Diameter			
		From		To	
AS-06793-2015	Hopper	0.658"	16.71 mm	0.740"	18.80 mm
AS-06793-2008	Hopper	0.748"	19.00 mm	0.835"	21.21 mm
AS-06793-2004	Hopper	0.836"	21.23 mm	0.902"	22.91 mm
AS-06793-2001	Hopper	0.903"	22.94 mm	1.011"	25.68 mm
AS-06793-2003	Hopper	1.012"	25.70 mm	1.131"	28.73 mm
AS-06793-2005	Hopper	1.132"	28.75 mm	1.231"	31.27 mm
AS-06793-2009	Hopper	1.232"	31.29 mm	1.303"	33.10 mm
AS-06793-2012	Hopper	1.304"	33.12 mm	1.348"	34.24 mm
AS-06793-2014	Hopper	1.349"	34.26 mm	1.397"	35.48 mm
AS-06793-2002	Hopper	1.398"	35.51 mm	1.500"	38.10 mm
AS-06793-2011	Hopper	1.501"	38.13 mm	1.580"	40.13 mm
AS-06793-2010	Hopper	1.581"	40.16 mm	1.648"	41.86 mm
AS-06793-2013	Hopper	1.649"	41.88 mm	1.685"	42.80 mm
AS-06793-2006	Hopper	1.686"	42.82 mm	1.783"	45.29 mm
AS-06793-2007	Hopper	1.784"	45.31 mm	1.875"	47.63 mm

Coin Acceptor Selections

Coin Mechanisms, Inc. RFI CC-16 E-00887-02xx

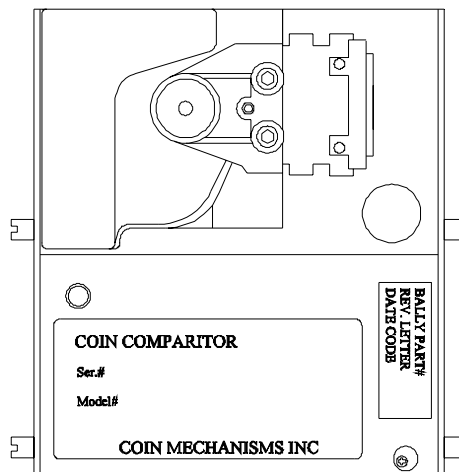


BALLY PART #	COIN MECH P/N	COMMON COINS USED	STYLE	COIN WEIGHT IN GRAMS	COIN DIAMETER IN INCHES	COIN THICKNESS IN INCHES
E-00887-0201	66160047	5¢ & 25¢ US	S	4.4 - 6.8	.700 - 1.250	.085 MAX
E-00887-0202	66160055	\$5 & \$25 TOKEN	WB	19.7 & UP	1.550 - 1.950	.130 MAX
E-00887-0203	66160056	\$1 US	S	19.7 & UP	.700 - 1.550	.115 MAX
E-00887-0204	66160084	\$10 TOKEN	WB	19.7 & UP	1.550 - 1.950	.140 MAX
E-00887-0205	66160085	50¢ US & 5 FF	S	4.4 - 6.8	.770 - 1.550	.085 MAX
E-00887-0206	66160078	--	S	6.9 - 19.6	.770 - 1.550	.130 MAX
E-00887-0207	66160093	\$4 TOKEN	S	--	--	--
E-00887-0208	66160099	\$100 TOKEN	WB	19.7 & UP	--	.130 MAX
E-00887-0209	66160104	10¢ US	S	--	--	--
E-00887-0210	66160150	50¢ ESC TOKEN	S	5.5 - 7.4	.700 - 1.250	.140 MAX

Coin Acceptor Selections (cont.)

Coin Mechanisms, Inc. IC-16 E-00887-1xxx

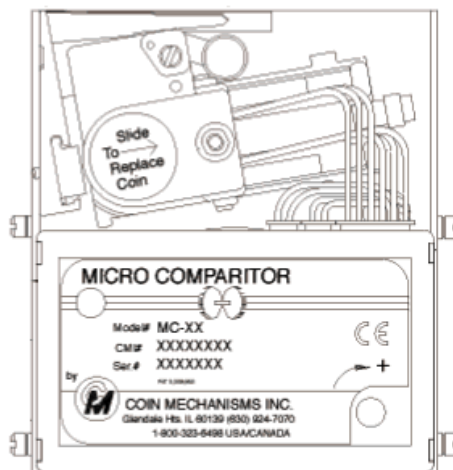
ASSEMBLY #	DESCRIPTION	PART #
E-00887-1021	IC-16 SM WB 24DC 1.750 X .1200 R \$5	65161051
E-00887-1022	IC-16 SM WB 24DC 1.700 X .1350 R \$10	65161052
E-00887-1023	IC-16 SM WB 24DC 1.850 X .1050 R \$25	65161053
E-00887-1024	IC-16 SM WB 24DC 1.600 X .0800 R \$100	65161054
E-00887-1025	IC-16 SM WB 24DC 1.549 X .0900 R \$500	65161055
E-00887-1026	IC-16 SM WB 24DC 1.850 X .1080 R \$1K	65161056
E-00887-1027	IC-16 SM WB 24DC 1.750 X .1200 R \$5	65161031
E-00887-1028	IC-16 SM WB 24DC 1.755 X .122 R \$5	68160007
E-00887-1029	IC-16 SM WB 24DC 1.700 X .136 R \$10	68160036
E-00887-1030	IC-16 SM WB 24DC 1.650 X .100 R \$25	68160037
E-00887-1031	IC-16 SM WB 24DC 1.812 X .115 R \$50	68160038
E-00887-1032	IC-16 SM WB 24DC 1.600 X .080 R \$100	68160039
E-00887-1036	IC-16 SM WB 24DC 1.75 X .125 R \$5	68160009
E-00887-1037	IC-16 SM WB 24DC 1.70 X .120 R \$10	68160049
E-00887-1038	IC-16 SM WB 24DC 1.875 X .105 R \$25	68160045
E-00887-1066	IC-16 SM NB 24DC 1.469 X .1010 R \$1	65161049
E-00887-1067	IC-16 SM NB 24DC 1.340 X .1000 R \$2	65161050
E-00887-1068	IC-16 SM NB 24DC 1.469 X .1010 R \$1	65161080
E-00887-1069	IC-16 SM NB 24DC 1.340 X .1000 R \$2	65161083
E-00887-1070	IC-16 SM NB 24DC 1.469 X .101 R \$1	68160003
E-00887-1071	IC-16 SM NB 24DC 1.170 X .075 R 50¢	68160032
E-00887-1072	IC-16 SM NB 24DC 1.000 X .075 R \$1	68160033
E-00887-1073	IC-16 SM NB 24DC 1.125 X .101 R \$2	68160035
E-00887-1074	IC-16 SM NB 24DC 1.469 X .101 R \$1	68160003
E-00887-1075	IC-16 SM NB 24DC 1.34 X .100 R \$2	68160047



COIN COMPARITOR DESCRIPTION LEGEND

MODEL NUMBER I.C.-16 OR I.C.-62
 SENSOR OPTION SM.=SMARTMARK (BARCODE)
 NM.=NO MARK (NO SENSOR)
 BODY SIZE WB=WIDE BODY, NB=NARROW BODY
 OPERATING VOLTAGE 24DC OR 12DC
 CON DIM. (DIAMETER X THICKNESS)
 COIL TYPE R=REGULAR SEAT (SINGLE ALLOY TOKEN)
 D=DEAP SEAT (TWO PIECE TOKEN)
 CASINO=WINDSOR
 DENOMINATION=\$2 TOKEN

Coin Mechanisms, Inc. MC-16 E-00887-6xxx



BALLY P/N	COIN CONTROL P/N	DAMPER WEIGHT	DENOMINATION	DESCRIPTION
E-00887-6001	66460151	.7 GRAM	1¢ PENNY	MC-160E,24VDC, INH HI, PR 15,0.7G 6 PIN Penny
E-00887-6002	66460152	2.6 GRAM	5¢ NICKEL	MC-160E,24VDC, INH HI, PR 15,2.6G 6 PIN
E-00887-6003	66460153	.7 GRAM	10¢ DIME	MC-160E,24VDC, INH HI, PR 15,0.7G 6 PIN
E-00887-6004	66460069	6.0 GRAM	25¢ QUARTER	MC-160E,24VDC, INH HI, PR 15,6.0G 6 PIN
E-00887-6005	66460154	14.2 GRAM	50¢ & \$1 TOKEN	MC-160E,24VDC, INH HI, PR 15,14.2G 6 PIN

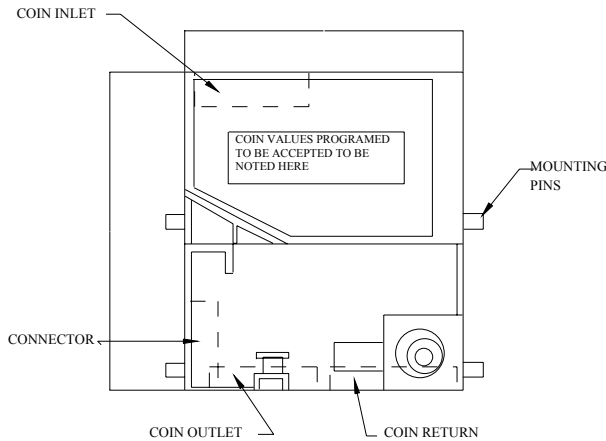
Coin Acceptor Selections (cont.)

Coin Controls, Inc. Condor
E-00887-2xxx



Bally Part #	Coin Control Part #	Model #	Denomination	Coin Size	Compatibility	Program	Country
E-00887-2001	54-1000-32	CN101ZA-17	50¢ TOKEN	22 X 2.0 MM	CC16	FIXED	SOUTH AFRICA
E-00887-2002	54-1000-30	CN101ZA-17	25¢	20 X 1.7 MM	CC16	FIXED	SOUTH AFRICA
E-00887-2003	54-1000-31	CN101ZA-17	50¢ TOKEN	22 X 1.87 MM	CC16	FIXED	SOUTH AFRICA
E-00887-2004	54-1000-33	CN101ZA-17	1 RAND TOKEN	27.84 X 2.27 MM	CC16	FIXED	SOUTH AFRICA
E-00887-2005	54-1000-34	CN101ZA-17	1 RAND	24 X 2.0 MM	CC16	FIXED	SOUTH AFRICA
E-00887-2006	54-1000-35	CN101ZA-17	2 RAND	23 X 2.6 MM	CC16	FIXED	SOUTH AFRICA
E-00887-2007	64-0103-001	CP103	ANY	UP TO 32 X 2.8 MM	CC16	PROGRAMMABLE	ANY
E-00887-2009	01-0001-01	CP133	ANY	UP TO 38 X 2.8 MM	CC62	PROGRAMMABLE	ANY
E-00887-2010	54-2000-47	CN101ZA-17	5 RAND TOKEN	26 X 1.8 MM	CC16	FIXED	SOUTH AFRICA
E-00887-2012	64-0101-001	CP101	ANY	UP TO 38 X 2.8 MM	CC16	PROGRAMMABLE	ANY
E-00887-2013	54-1001-02	CN103ZA-17	"MONTE CARLO" 50C	22 X 1.85 MM	CC16	FIXED	SOUTH AFRICA
E-00887-2014	54-1001-03	CN103ZA-17	"MONTE CARLO" 1 RAND	24 X 2.0 MM	CC16	FIXED	SOUTH AFRICA
E-00887-2015	54-1001-04	CN103ZA-17	"MONTE CARLO" 2 RAND	23 X 2.6 MM	CC16	FIXED	SOUTH AFRICA
E-00887-2016	54-1001-05	CN103ZA-17	"MONTE CARLO" 5 RAND	26 X 2.4 MM	CC16	FIXED	SOUTH AFRICA
E-00887-2017	54-1001-06	CN103ZA-17	"MONTE CARLO" 10 RAND	28.5 X 2.4 MM	CC16	FIXED	SOUTH AFRICA

National Rejectors, Inc. (NRI)
E-00887-45xx



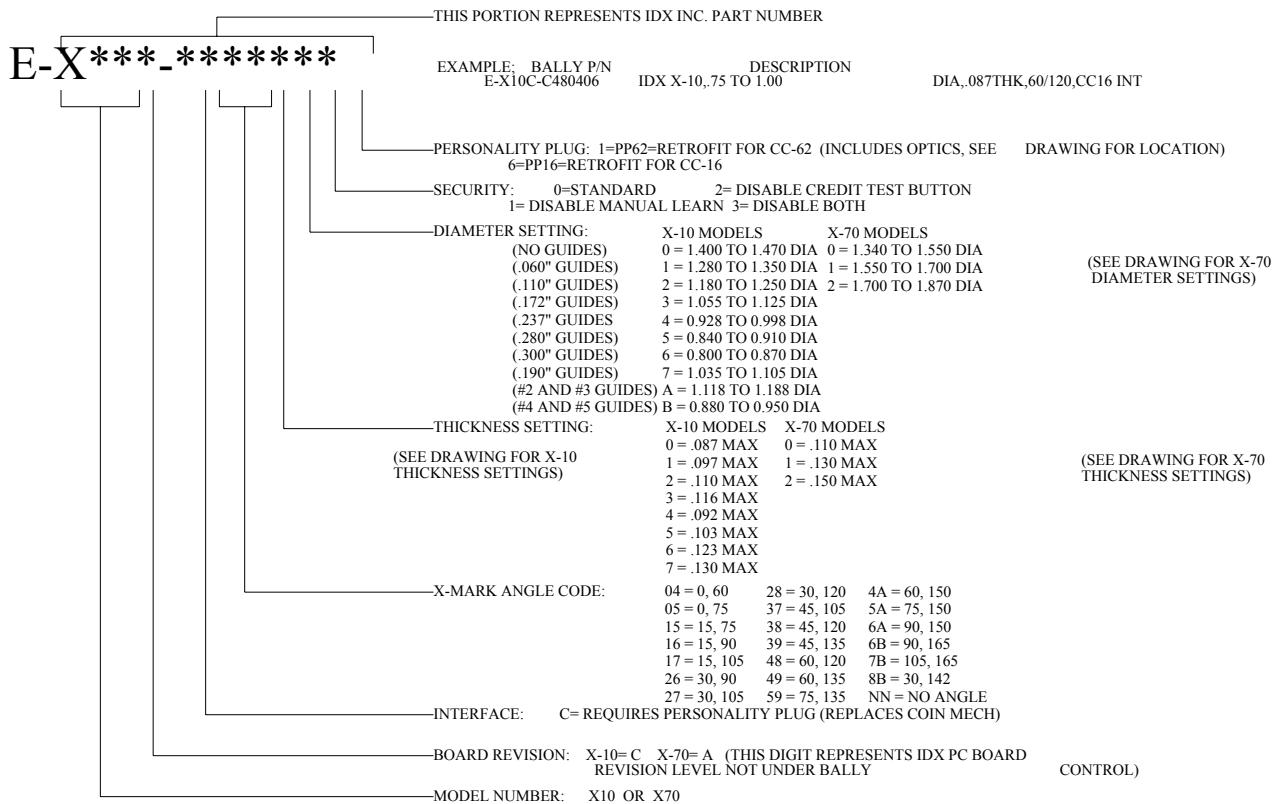
Bally Part #	CN = CANADIAN DM = GERMAN MARK F = FRENCH FRANC SwK = SWEDISH KRONOR HG = HOLLAND GUILDER FM = FINLAND MARKKA DK = DENMARK DRONER P = PHILIPPINES PESCO CF = CHILE FICHA UF = URUGUAY FICHA					
	CH1	CH2	CH3	CH4	CH5	CH6
E-00887-4501	.05 US					
E-00887-4502	.10 US					
E-00887-4503	.50 US					
E-00887-4504	1.00 US					
E-00887-4505	.05 CA					
E-00887-4506	.25 CA					
E-00887-4507	1.00 CA					
E-00887-4508	2.00 CA					
E-00887-4509	2 DM					
E-00887-4510	5 DM					
E-00887-4511	1 FF					
E-00887-4512	2 FF					
E-00887-4513	5 FF					
E-00887-4514	1 SwK					
E-00887-4515	.25 HG					
E-00887-4516	1 HG					
E-00887-4517	1 DK					
E-00887-4518	2 P					
E-00887-4519	1 CF					
E-00887-4520	2 CF					
E-00887-4521	1 UF					
E-00887-4522	3 UF					

Coin Acceptor Selections (cont.)

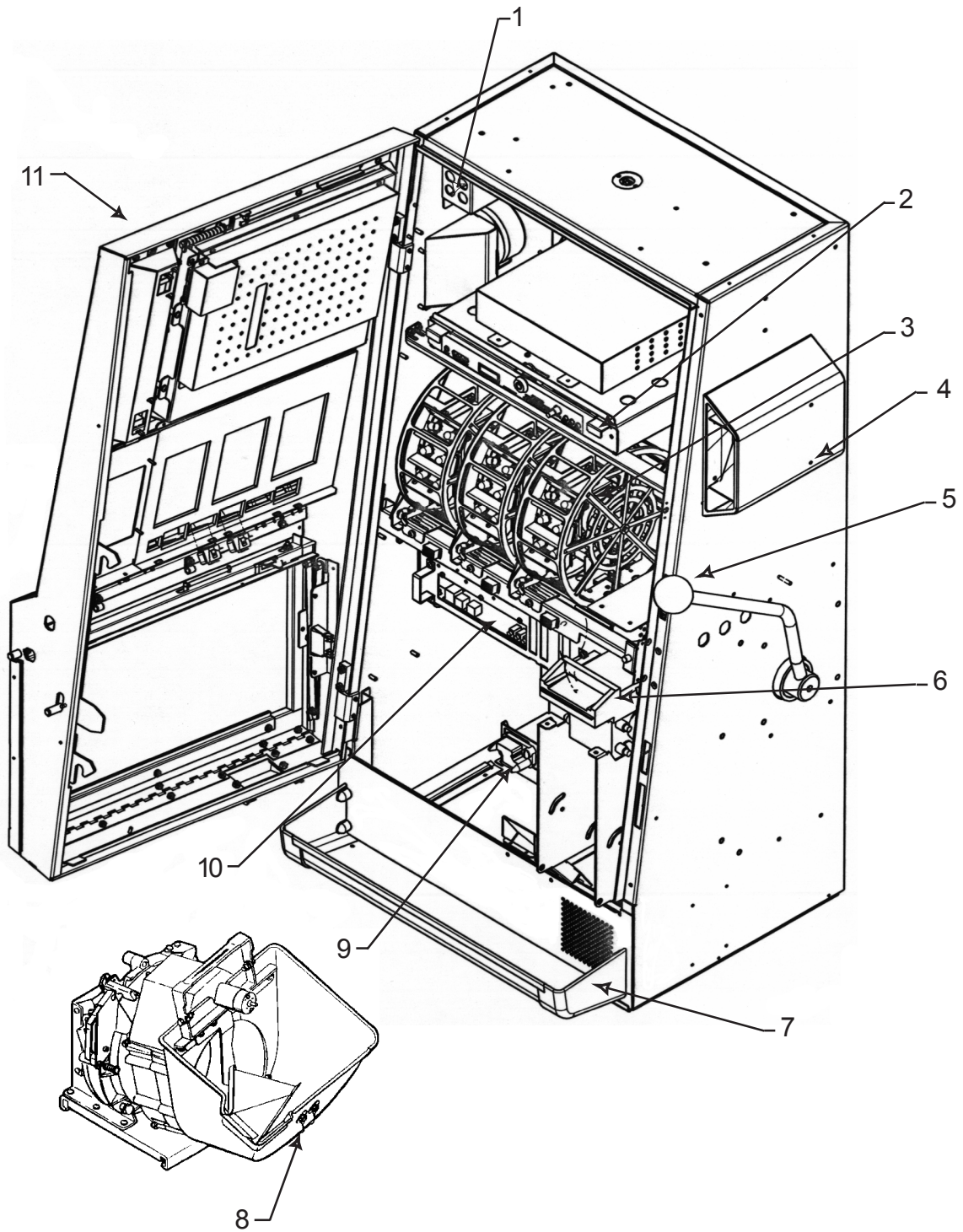
IDX Coin Acceptors



PART NUMBERING STRUCTURE



Cabinet Assembly

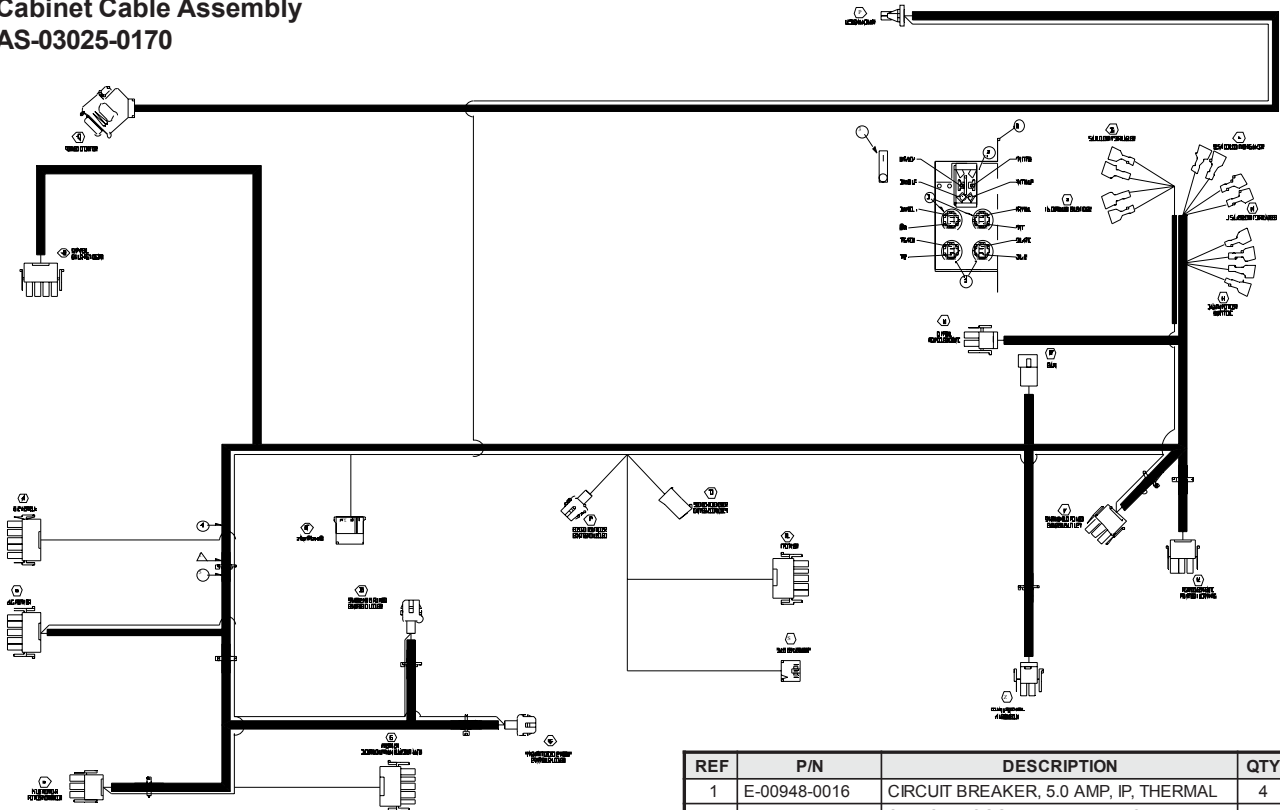


Cabinet Assembly (cont.)

Cabinet Assembly		
Item	Part #	Description
1	AS-03025-0170	Cabinet Cable Assembly (Page 3-16)
2	AS-06902-(series)	S/OP/Tray Assembly (Page 3-20)
3	AS-04716-0010	Reel Mechanism Assembly
4	AS-04617-0001	Speaker Assembly (Page 3-17)
5	AS-02301-(series)	Handle Assembly (Page 3-18)
6	AS-06602-0003	Bill Acceptor Housing (Page 3-29)
7	AS-05998-(series)	Coin Tray/Back Plate Assembly (Page 3-39)
8	AS-06793(series)	Hopper Assembly (Page 3-11)
9	AS-03025-(series)	Hopper Cable Assembly (Page 3-17)
10	AS-06901-0010	Pentium PC Assembly (Page 3-30)

Cabinet Assembly		
Item	Part #	Description
11	AS-08720-(series)	Door Assembly (Page 3-31)
Not Shown	AS-04173-(series)	Backplane Board Assembly (Page 3-20)
	E-01030-0012	Vivo™ Printer
	TWR (series)	Tower (Pages 3-24)
	AS-04238-(series)	Power Supply (Page 3-21)
	AS-03335-(series)	Starter and Ballast Assembly (Page 3-23)
	AS-03268-(series)	Convenience Outlet (Page 3-27)
	E-00126-(series)	Line Cord (Page 3-23)
	AS-04225-(series)	Meter Assembly (Page 3-26)
	E-00664-0466	Bell and Receptacle (Page 3-27)

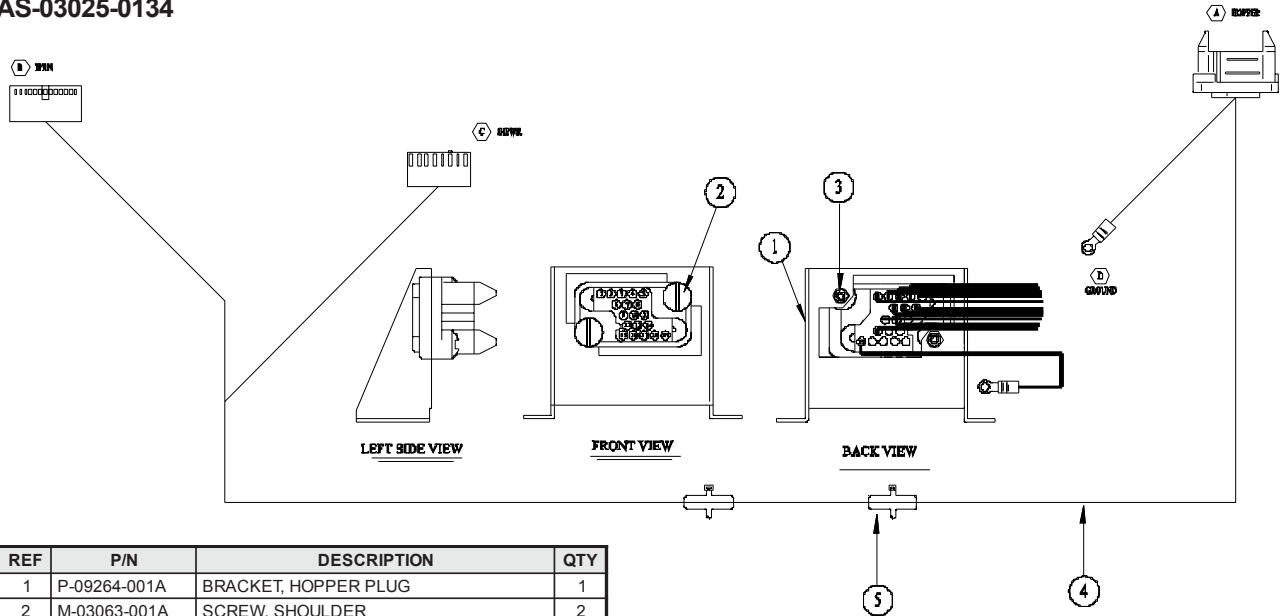
**Cabinet Cable Assembly
AS-03025-0170**



REF	P/N	DESCRIPTION	QTY
1	E-00948-0016	CIRCUIT BREAKER, 5.0 AMP, IP, THERMAL	4
2	E-00108-0395	SWITCH, TOGGLE, MAIN PWR, CE97	2
3	LBL-00274-0001	LABEL, ON/OFF, CE97, V8500	1
4	CBL-30548-0001	CABLE, CABINET POWER, V8700, HYBRID	1
5	E-00647-0020	MARKER TIE	1
6	P-06004-0005	BRACKET, SWITCH/FUSE, S6K	1
7	E-00647-0004	CABLE TIE	1

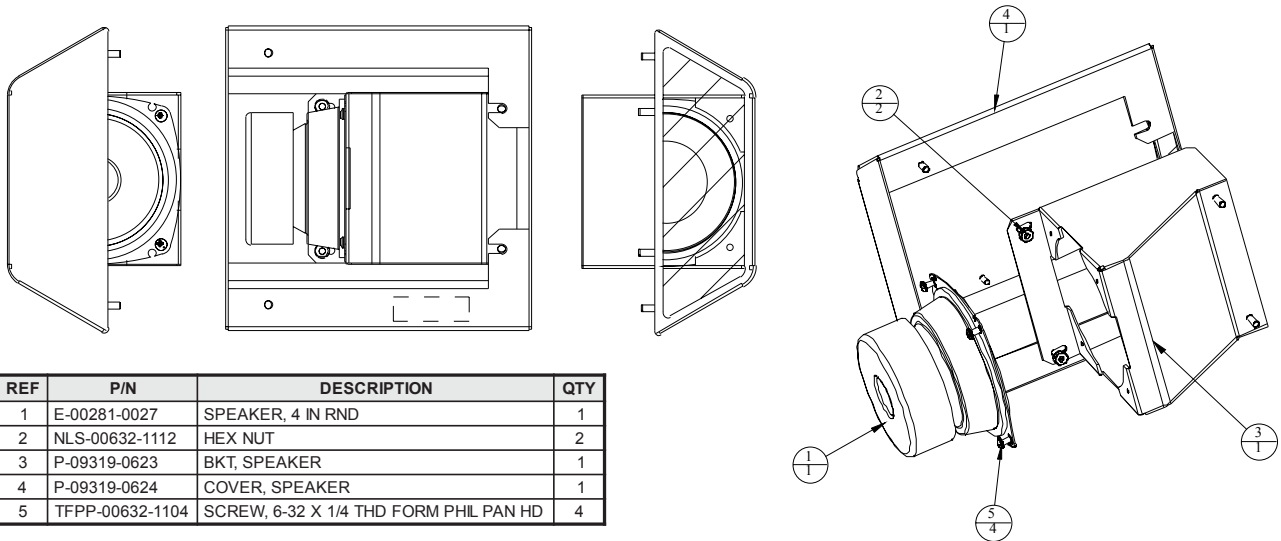
Cabinet Assembly (cont.)

Hopper Cable Assembly AS-03025-0134



REF	P/N	DESCRIPTION	QTY
1	P-09264-001A	BRACKET, HOPPER PLUG	1
2	M-03063-001A	SCREW, SHOULDER	2
3	M-03064-001A	NUT, HEX, METRIC, M4 X 0.7, ZINC	2
4	CBL-30227-0001	CABLE, HOPPER	1
5	E-00647-0020	MARKER TIE	1

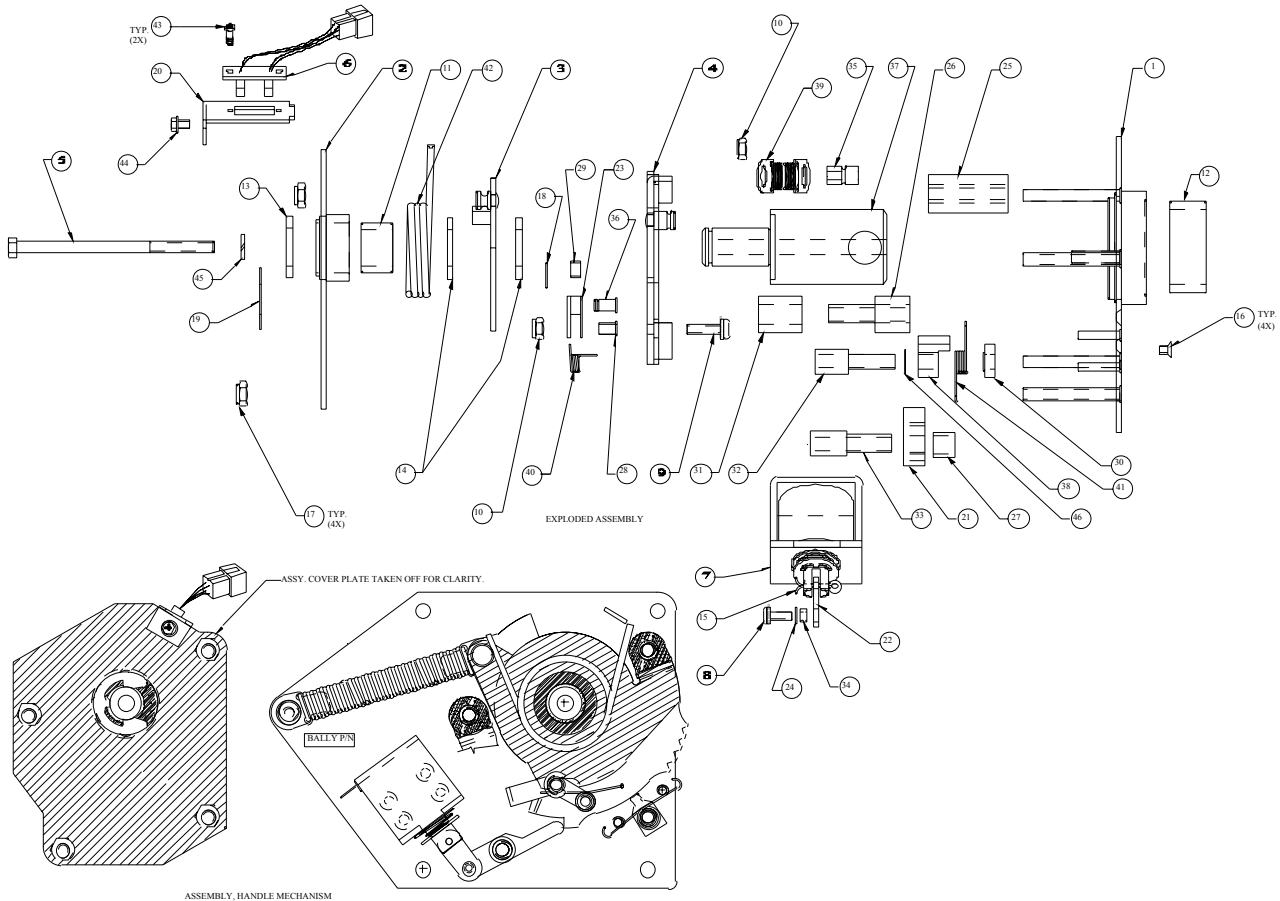
Speaker Assembly AS-04617-0001



REF	P/N	DESCRIPTION	QTY
1	E-00281-0027	SPEAKER, 4 IN RND	1
2	NLS-00632-1112	HEX NUT	2
3	P-09319-0623	BKT, SPEAKER	1
4	P-09319-0624	COVER, SPEAKER	1
5	TFPP-00632-1104	SCREW, 6-32 X 1/4 THD FORM PHIL PAN HD	4

Cabinet Assembly (cont.)

Handle Mechanism Assembly AS-02301-0028



REF	P/N	DESCRIPTION	QTY
1	A-02214-056A	ASSEMBLY, BASE PLATE HANDLE MECH	1
2	A-03207-031A	ASSEMBLY, COVER PLATE	1
3	A-04181-064A	ASSEMBLY, DROP CAM	1
4	A-04390-001A	ASSEMBLY, RATCHET CAM	1
5	CSOH-31224-1160	SCREW, CAP HEX HEAD	1
6	E-00664-0453	ASSEMBLY, OPTICS, HANDLE MECH	1
7	E-00947-0010	SOLENOID, HANDLE LOCK OUT	1
8	LSPP-00832-1108	SCREW, 8-32 X 1/2 MACH/W LOCK PHIL PAN	1
9	LSPP-01032-1112	SCREW, 10-32 X 3/4 MACH/W LOCK PHIL PAN HD	1
10	M-00319-0001	STOP NUT, ELASTIC 10-32 TAP	2
11	M-00404-0007	BEARING, TORRINGTON #J-2412	1
12	M-00404-0008	BEARING, TORRINGTON #J-2412	1
13	M-00404-0009	BEARING, THRUST #TB1220	1
14	M-00404-0010	BEARING, THRUST #TB1222	2
15	M-01721-0007	COTTER PIN, 3/32D X 3/4LG	1
16	MSPF-00832-1104	SCREW, 8-32 X 1/4 MACH SCREW PHIL FLAT HD	4
17	M-00319-0014	NUT, STOP ELASTIC	4
18	P-02891-0006	RETAINING RING, .281 SHAFT X .025T	1
19	P-02891-0012	RETAINING RING, .750 SHAFT X .050T	1
20	P-06665-1186	BRACKET, OPTO SENSOR, HANDLE MECH	1
21	P-07461-008A	LOCKOUT LEVER, HANDLE MECH	1
22	P-09319-097A	LINK, SOLENOID	1
23	P-09351-001A	LEVER, DROP RELEASE	1

REF	P/N	DESCRIPTION	QTY
24	PW-00008-0012	WASHER, PLAIN	1
25	R-00521-001A	BUMPER, DBL, HANDLE MECH	1
26	R-00521-002A	BUMER, SINGLE, HANDLE MECH	1
27	S-00231-988A	BUSHING, LOCKOUT LEVER	1
28	S-00231-989A	BUSHING, PIVOT, TRIP LEVER	1
29	S-00231-990A	BUSHING, LATCH TRIP LEVER	1
30	S-00231-1029	BUSHING, PAWL, HANDLE MECH	1
31	S-00231-993A	SLEEVE, WEAR, HANDLE MECH	1
32	S-00231-1030	SPACER, PAWL, HANDLE MECH	1
33	S-00231-995A	SPACER, LOCKOUT LEVER	1
34	S-00231-996A	BUSHING, LINK, HANDLE MECH	1
35	S-00438-039A	POST, DUAL SPRING, HANDLE MECH	1
36	S-00458-041A	PIN, LATCH, TRIP LEVER	1
37	S-00736-0025	SHAFT, HANDLE	1
38	S-02100-0004	PAWL, FULL STROKE	1
39	SP-00100-0403	SPRING, EXTENSION, HANDLE MECH	1
40	SP-00399-0055	SPRING, TORSION, HANDLE MECH	1
41	SP-00399-0061	SPRING, TORSION, PAWL, HANDLE	1
42	SP-00399-0059	SPRING, TORSION, DROP CAM	1
43	TFPP-00440-1104	SCREW, 4-40 X 1/4 THD FORM PHIL PAN HD	2
44	TFSS-00832-1104	SCREW, 8-32 X 1/4 THD FORM WASHER HD SERRATED HEX	1
45	M-01705-0014	LOCKWASHER, SPLIT	1
46	S-00231-1037	SHIM, BRASS WEAR, RATCHET PAWL	1

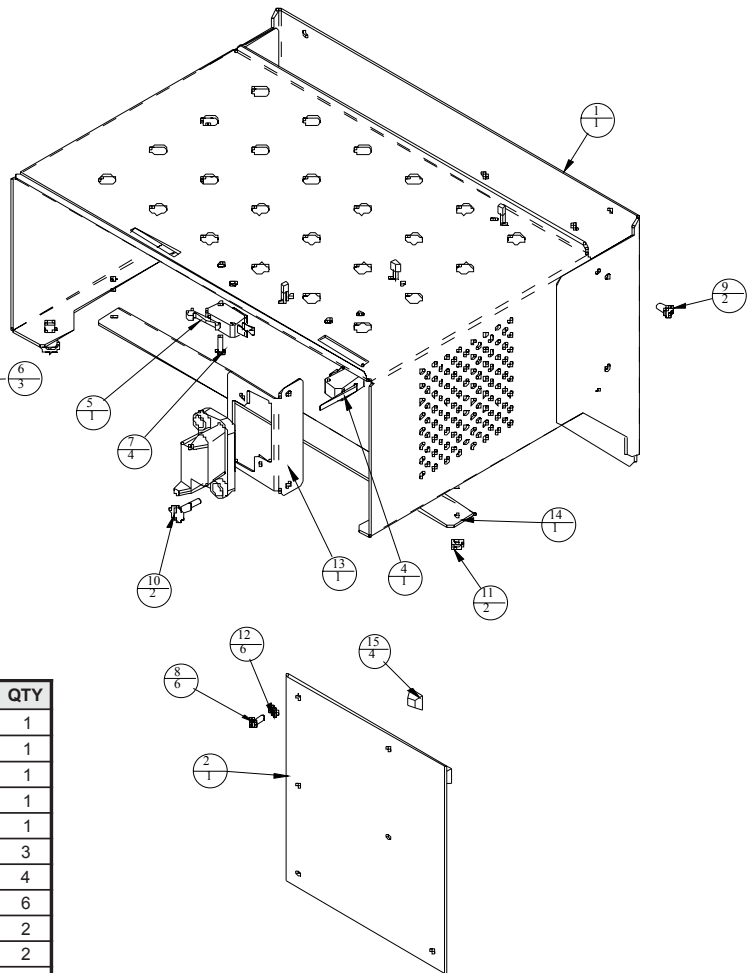
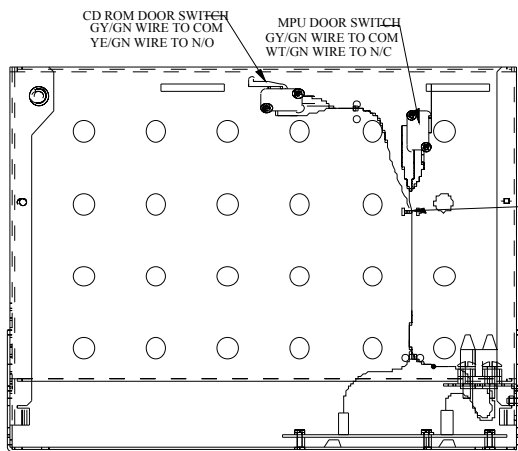
Cabinet Assembly (cont.)

Handle Assembly AS-02303-(series)

Handle Assemblies	
Part #	Description
AS-02303-0091	Chrome with Black Knob
AS-02303-0093	Chrome with Chrome Potero Knob
AS-02303-0095	Gold with Shiny Brass Potero Knob
AS-02303-0096	Gold with Gold Potero Knob
AS-02303-0097	Chrome with Black Potero Knob
AS-02303-0098	Extended, Chrome with Black Knob
AS-02303-0099	Extended, Gold with Gold Potero Knob
AS-02303-0100	Gold with Black Knob

Handle Assemblies	
Part #	Description
AS-02303-0101	Extended, Chrome with Chrome Potero Knob
AS-02303-0102	Chrome with Brass Potero Knob
AS-02303-0103	Chrome with Yellow Round Knob
AS-02303-0104	Chrome with Orange Round Knob
AS-02303-0105	Chrome with Green Round Knob
AS-02303-0106	Chrome with Pink Round Knob
AS-02303-0107	Chrome with Neutral Round Knob

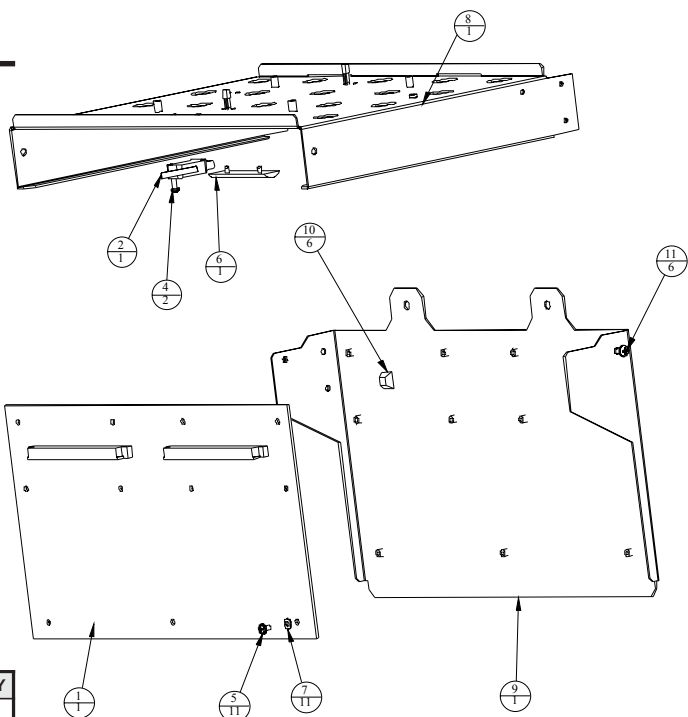
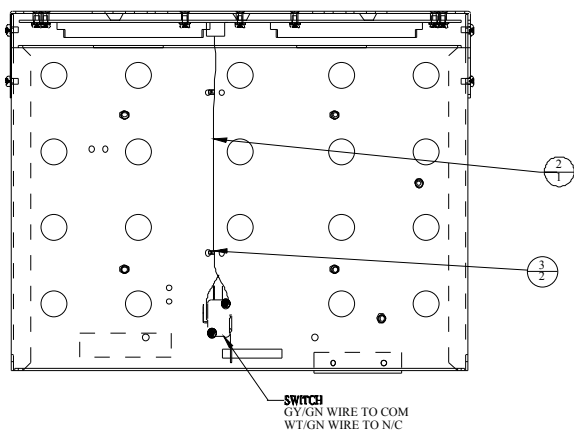
PC Housing Assembly AS-04173-0227



REF	P/N	DESCRIPTION	QTY
1	A-02404-0003	ASSY, PC HOUSING	1
2	AS-03356-0505	ASSY, BKPLN PC	1
3	CBL-30520-0001	CABLE	1
4	E-00108-0387	SWITCH, BILL ACCEPTOR DR V7K BAR	1
5	E-00108-0411	SWITCH, SNAP ACTION, E21-90N	1
6	E-00647-0004	TIE WRAP	3
7	LSPP-00440-1108	SCREW, MACH W/LOCK PHIL PAN HD	4
8	LSPP-00632-1106	SCREW, MACH W/LOCK PHIL PAN HD	6
9	LSPP-00832-1106	SCREW, MACH W/LOCK PHIL PAN HD	2
10	M-03063-001A	SCREW, SHOULDER AMP P/N 2082111	2
11	NLS-00632-1112	HEX NUT	2
12	P-00801-0673	WASHER, .139ID X .310OD X .031 THK	6
13	P-06901-0032	BKT, 25-PIN DWR PLUG M	1
14	P-06901-0037	BRACE, PC HOUSING	1
15	R-00409	BUMPER	4

Cabinet Assembly (cont.)

Backplane Board Assembly AS-04173-0230 (1 Lock)



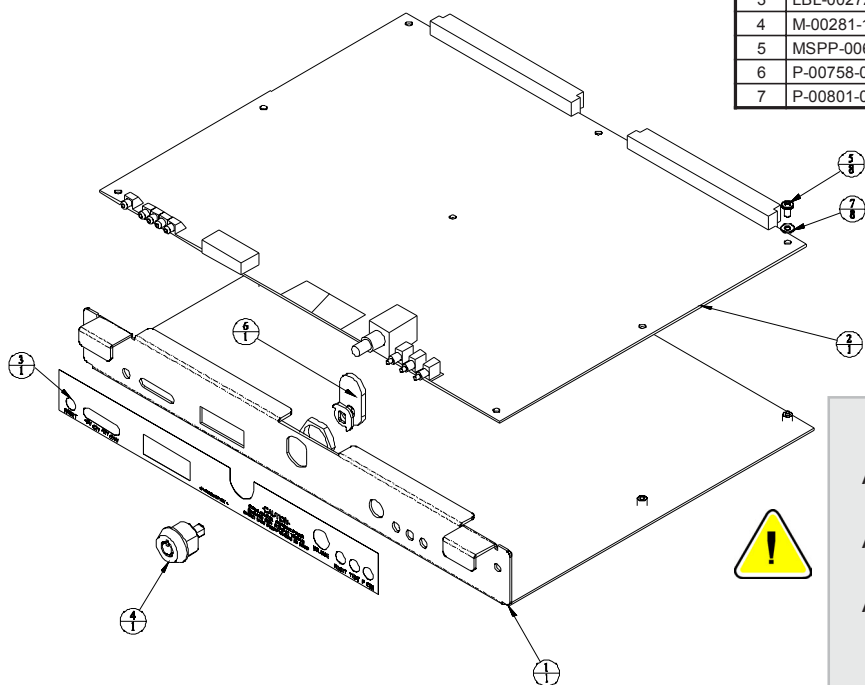
REF	P/N	DESCRIPTION	QTY
1	AS-03356-0519	ASSY, BKPLN IOP	1
2	E-00108-0387	SWITCH, BILL ACCEPTOR DR V5K BAR	1
3	E-00647-0004	TIE WRAP	2
4	LSPP-00440-1110	SCREW, MACH W/LOCK PHIL PAN HD	2
5	LSPP-00632-1104	SCREW, MACH W/LOCK PHIL PAN HD	11
6	M-3001	STRIP, GROUNDING	1
7	P-00801-0673	WASHER, .139ID X .310OD X .031 THK	11
8	P-06901-0055	BKT, MTG, SHELF	1
9	P-06901-0056	BKT, PACKPLANE MTG	1
10	R-00409	BUMPER	6
11	TFPP-00832-1104	SCREW, 8-32 X 1/4 THD FORM PHIL PAN HD	6



Also Available
AS-04173-0234 (2 Locks)
Backplane Board Assembly

SIOP/Tray Assembly AS-06902-0010 (1 Lock-Audio Assist)

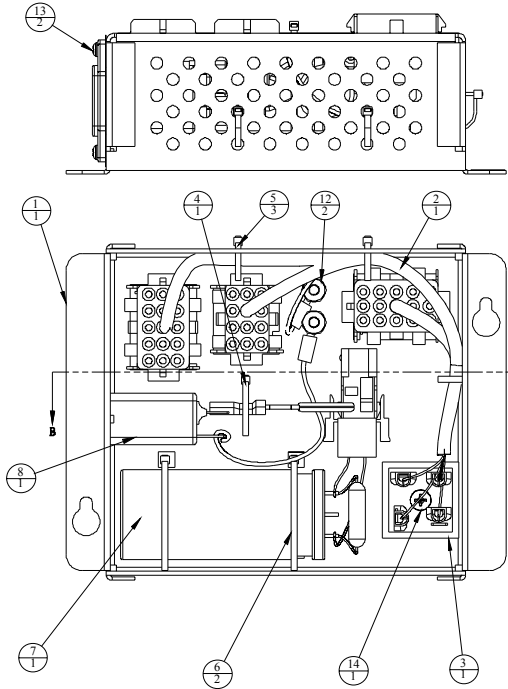
REF	P/N	DESCRIPTION	QTY
1	A-04360-0028	ASSY, IOP TRAY	1
2	AS-03356-0518	ASSY, IOP BOARD	1
3	LBL-00272-0003	LABEL, IOP TRAY	1
4	M-00281-162A	LOCK, NO CAM, DOOR/BILL ACCEPTOR	1
5	MSPP-00632-1104	SCREW, MACHINE PHIL PAN HD	8
6	P-00758-0159	CAM LOCK	1
7	P-00801-0673	WASHER, .139ID X .310OD X .031 THK	8



Also Available
AS-06902-0023 (1 Lock)
SIOP/Tray Assembly
AS-06902-0024 (2 Locks)
SIOP/Tray Assembly
AS-06902-0025 (2 Locks-Audio Assist)
SIOP/Tray Assembly

Cabinet Assembly (cont.)

Power Supply AS-04238-0064



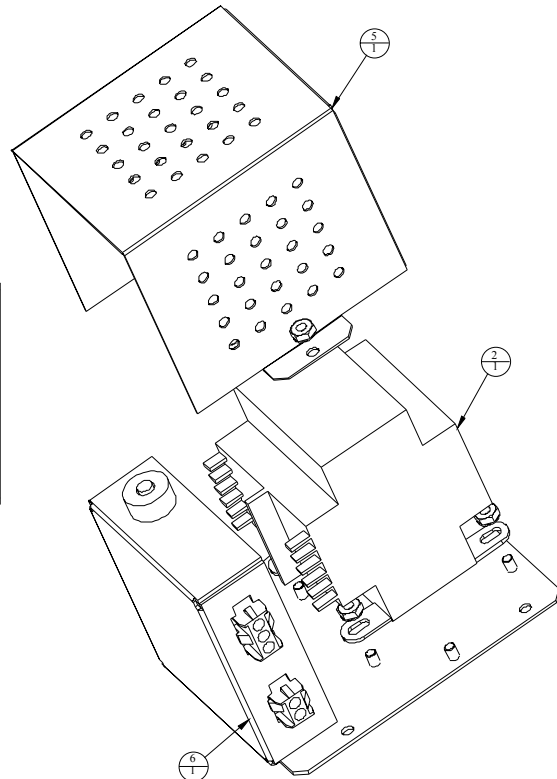
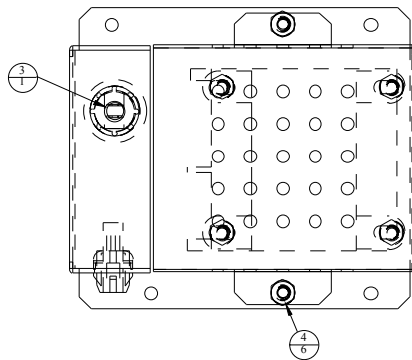
REF	P/N	DESCRIPTION	QTY
1	A-04345-0009	ASSY, POWER SUPPLY CASE	1
2	CBL-30412-0001	CABLE, POWER SUPPLY	1
3	E-00602-0016	RECTIFIER, BRIDGE	1
4	E-00647-0004-2	CABLE TIE, .090W X 3.870L	1
5	E-00647-0004-3	CABLE TIE, .090W X 3.870L	3
6	E-00647-0005-1	CABLE TIE, .090W X 3.870L	2
7	E-00664-0545	ASSY, CAPACITOR W/CONN CE97	1
8	E-00664-0594	LINE FILTER	1
9	LBL-00143-001A	LABEL, HIGH VOLTAGE, CANADIAN/FR	1
10	LBL-00245-0001-A	LABEL, SAFETY GROUND	1
11	LBL-00245-0001-B	LABEL, SAFETY GROUND	1
12	NLS-00832-1112	HEX NUT	2
13	TFPP-00440-1104	SCREW, 4-40 X 1/4 THD FORM PHIL PAN HD	2
14	TFPP-00832-1108	SCREW, 8-32 X 1/2 THD FORM PHIL PAN HD	1



Also Available
AS-04238-0071
Pentium® Power Supply

Transformer Assembly Reel Lights 120VAC 60Hz. AS-04616-0001

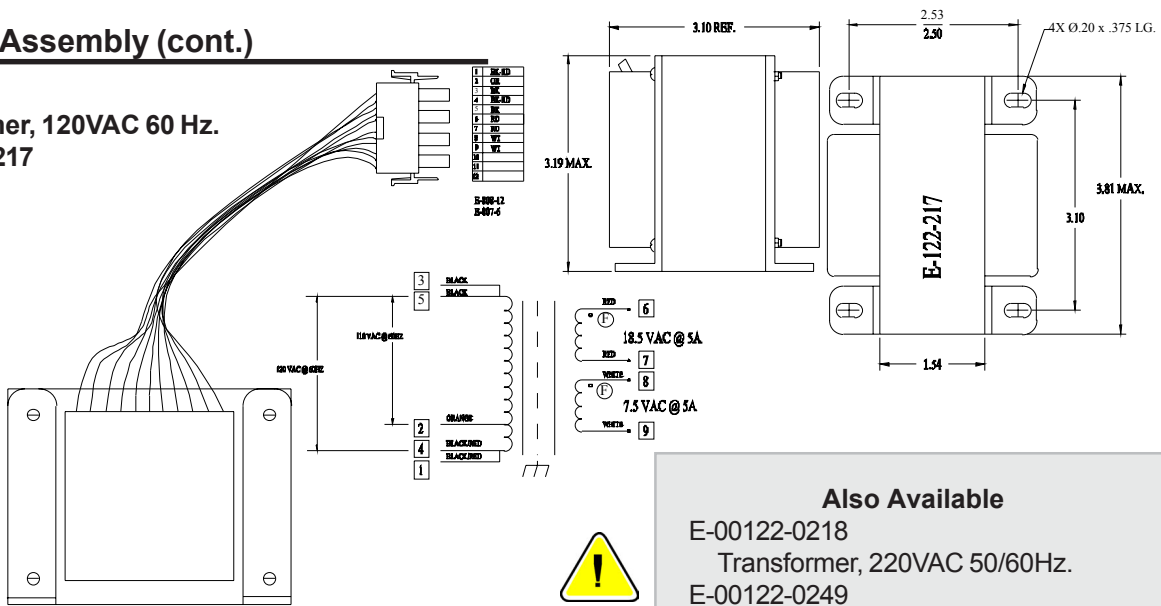
REF	P/N	DESCRIPTION	QTY
1	CBL-30584-0001	CABLE, REEL XFMR, 110V (NOT SHOWN)	1
2	E-00122-0249	XFMR, 14/28VAC, 130VA	1
3	E-00948-0026	CIRCUIT BREAKER, 15.0A	1
4	NLS-00832-1112	HEX NUT	6
5	P-06004-0172	COVER, REEL LIGHTS TRANSFORMER	1
6	P-09322-0356	PLATE, REEL LIGHTS TRANSFORMER	1



Also Available
AS-04616-0002
Transformer Assembly, Reel Lights
220 VAC 50Hz.

Cabinet Assembly (cont.)

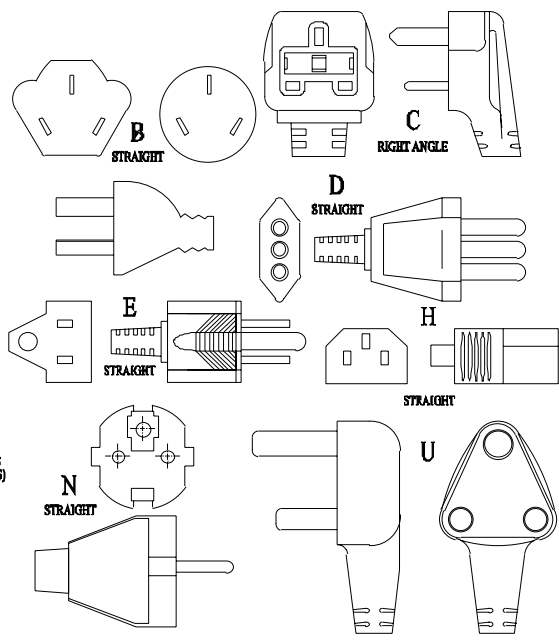
**Transformer, 120VAC 60 Hz.
E-00122-0217**



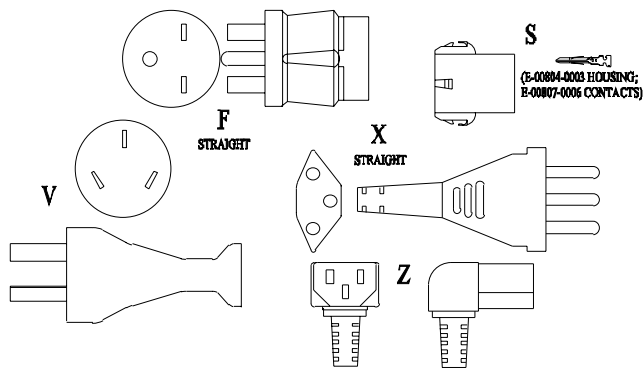
Also Available
E-00122-0218
Transformer, 220VAC 50/60Hz.
E-00122-0249
Transformer, 14/28V, 130VA

NO LOAD REQUIREMENTS							
PRIMARY WINDING	INPUT VOLTAGE	LOAD CURRENT	OUTPUT WINDING	OUTPUT VOLTAGE			
				MIN	NOM	MAX	UNITS
BK-OR	110 VAC	0 AMPS	RD-RD	18.0	19.0	20.0	VAC
BK-BK/RD	120 VAC						
BK-OR	110 VAC	0 AMPS	WT-WT	7.5	7.8	8.1	VAC
BK-BK/RD	120 VAC						

NO LOAD REQUIREMENTS							
PRIMARY WINDING	INPUT VOLTAGE	LOAD CURRENT	OUTPUT WINDING	OUTPUT VOLTAGE			
				MIN	NOM	MAX	UNITS
BK-OR	110 VAC	5 AMPS		17.5	18.5	19.5	VAC
BK-BK/RD	120 VAC						
BK-OR	110 VAC	5 AMPS		7.1	7.5	7.9	VAC
BK-BK/RD	120 VAC						



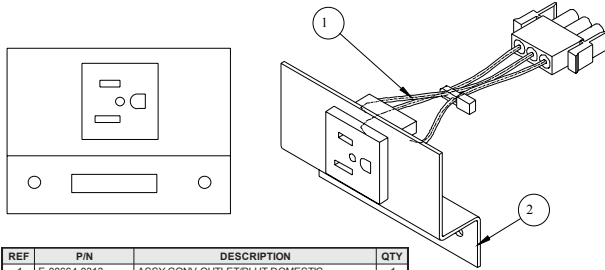
Line Cord Assembly E-00126-(series)



PART #	DESCRIPTION	VOLTAGE RATING	PLUG PATTERN	ARGENTINA	AUSTRALIA	AUSTRIA	BELGIUM	CANADA	DENMARK	FINLAND	FRANCE	GERMANY	HOLLAND	IRELAND	ITALY	JAPAN	NETHERLANDS	NEW ZEALAND	NORWAY	SWEDEN	UNITED KINGDOM	UNITED STATES	SOUTH AFRICA	SWITZERLAND
E-00126-0120	LINE CORD, 8'	220	D & H												X									
E-00126-0121	LINE CORD, 8' DOMESTIC	120	E & H																			X		
E-00126-0122	LINE CORD, 2.5 METERS EUROPE	220	N & H				X X			X X X							X		X X					
E-00126-0123	LINE CORD, 8'2"	240	C & H											X							X			
E-00126-0132	CORDSET, 8' NEMA 6-15P & IEC 320	230	F & H						X													X		
E-00126-0143	CORDSET, 8.2'	240	B & H		X													X						
E-00126-0157	CORDSET, 8.2', OLD BRITISH (BS 546 & IEC 320/C13)	250	U & H																				X	
E-00126-0167	LINE CORD, 8', IRAM 2073	250	V & H	X																				
E-00126-0173	LINE CORD, 6'	250	X & H																					X
E-00126-0174	LINE CORD, PC POWER SUPPLY, 24"	125	Z & S																		X			

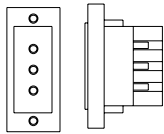
Cabinet Assembly (cont.)

Convenience Outlet Assembly AS-03268-(series)



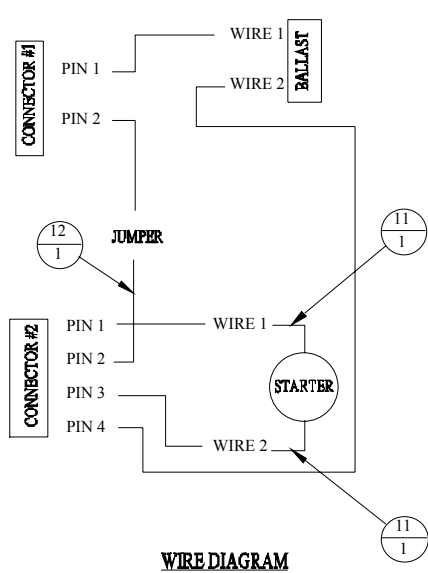
REF	P/N	DESCRIPTION	QTY
1	E-00664-0313	ASSY CONV OUTLET/PLUT DOMESTIC	1
2	P-06442-0585	BKT, CONV OUTLET	1

AS-03268-0004 Convenience Outlet, USA

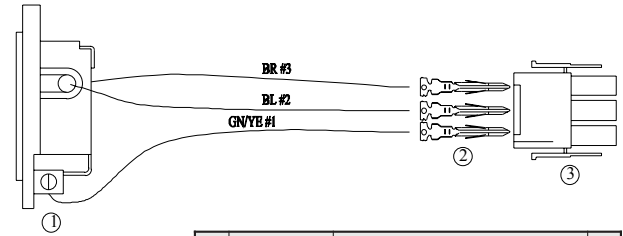


AS-03268-0003 Convenience Outlet, Italy

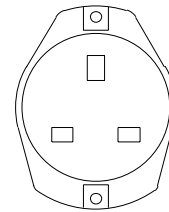
Starter and Ballast Assembly 120VAC VAC 60 Hz. AS-03335-0501



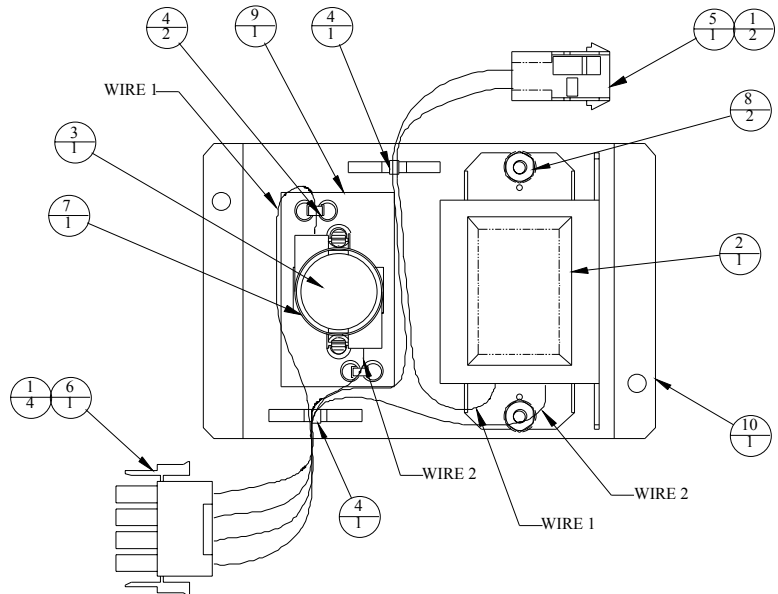
REF	P/N	DESCRIPTION	QTY
1	E-00807	SOCKET, AMP, 24-18	6
2	E-00409-0022	BALLAST, 120VAC, 8W, 60HZ	1
3	E-00411-0010	STARTER, FLUORESCENT, FS-2	1
4	E-00647-0004	TIE WRAP	4
5	E-00804-0002	CONN HOUSING CAP	1
6	E-00808-0004	CONN HOUSING PLUG	1
7	E-00120-0265	SOCKET, FLUORESCENT LAMP STARTER CE97	1
8	NLS-00632-1112	HEX NUT	2
9	P-00150-0292	INSULATOR, POLYCARBONATE CE97	1
10	P-09319-0574	BKT, ST/BL MTG	1
11	WIP-ES202-1850-B	PVC, SOLID 18 AWG WHT, TYPE TEW	1
12	WIP-ES202-1880-B	PVC, SOLID 18 AWG BLK, TYPE TEW	1



REF	P/N	DESCRIPTION	QTY
1	E-00110-0024	CONV OUTLET UK	1
2	E-00807-0006	CONTACT PIN	3
3	E-00808-0003	HOUSING 3 CIR	1



AS-03268-0008 Convenience Outlet, United Kingdom



Also Available

AS-03268-0007
Convenience Outlet Assembly,
Dual, 120VAC
AS-03268-0011
Convenience Outlet Assembly, Quad
AS-03268-0013
Convenience Outlet Assembly, AR/AS

Also Available

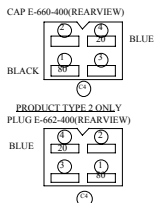
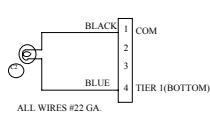
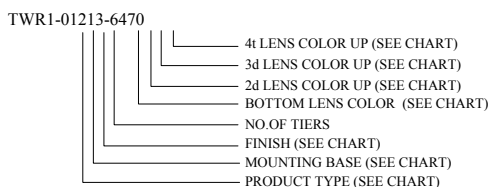
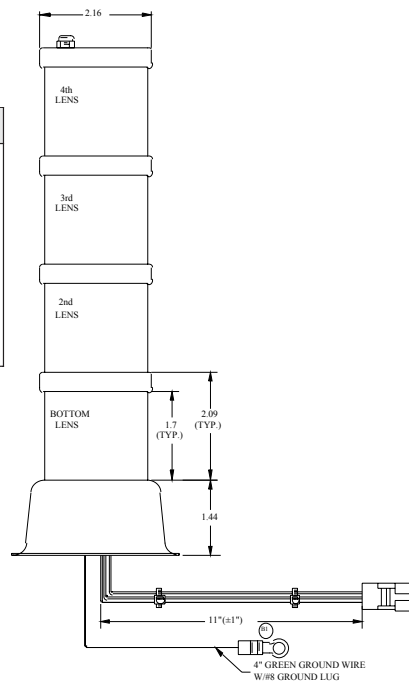
AS-03335-0502
Starter and Ballast Assembly
220VAC 50Hz.

Cabinet Assembly (cont.)

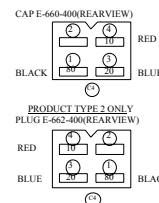
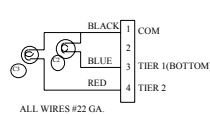
Tower Selections

TWR1

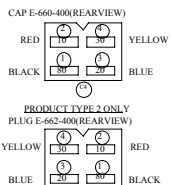
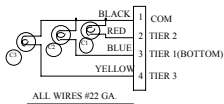
	PRODUCT TYPE		BALLY P/N	MTG BASE	FINISH	LENS COLOR	DENOM
(1) TWR1	S5000 (6V) V5500 S5500	USE MOLEX CAP NO 03-09-2049 USE MOLEX PIN NO 02-09-2101 USE LAMP NO 55 (6-8V) 0.4 AMP	E-00660-0400 E-00661-0001	0-NO BASE FLAT TOP		0-NO LENS 1-WHITE 2-RED 3-BLUE	\$100 1¢/5¢ \$1
(2) TWR1	V5000 (24V) POKER 2 ND CHANCE BLACK JACK KENO	USE MOLEX PLUG NO 03-09-1049 USE MOLEX PIN NO 02-09-1102 USE LAMP NO 313 (28V) .17 AMP	E-00662-0400 E-00663-0001	1-WITH BASE ANGLED TOP	1-CHROME 2-BRASS	4-YELLOW 5-GREEN 6-CORAL 7-PURPLE 8-ORANGE 9-SAPPHIRE BLUE	25¢/TOKEN 25¢ 10¢ 50¢ \$10/\$5/\$25 OBSOLETE-SEE #6 #383
(3) TWR1	OASIS V72	USE MOLEX CAP NO 03-09-2049 USE MOLEX PIN NO 02-09-2101 USE LAMP NO 73 (14V) OR ELEC EQUIV	E-00660-0400 E-00661-0001 E-00120-0108	*-ROUND TOP SEE CAB ASSY			



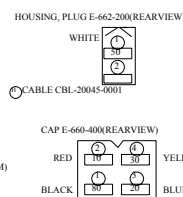
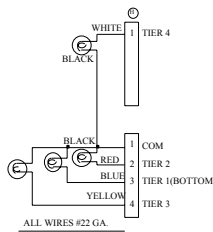
1-TIER TOWER



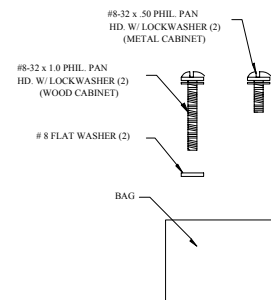
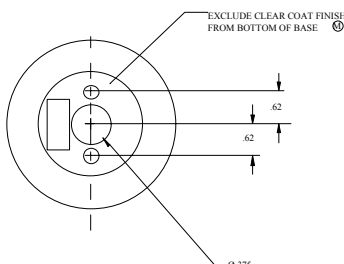
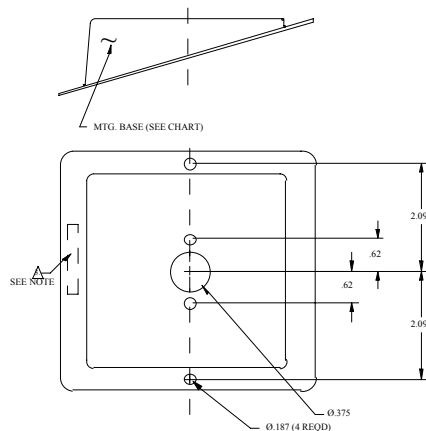
2-TIER TOWER



3-TIER TOWER



4-TIER TOWER

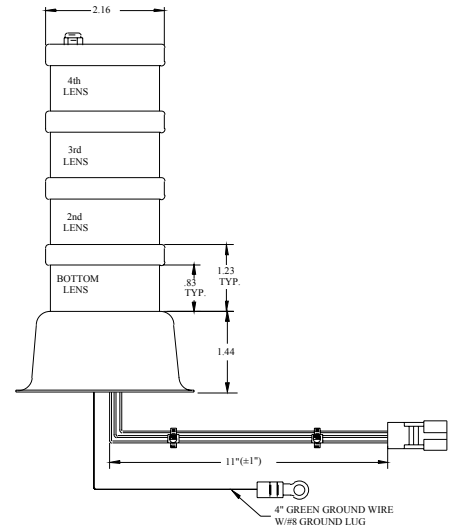


Cabinet Assembly (cont.)

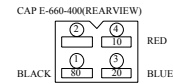
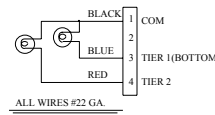
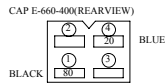
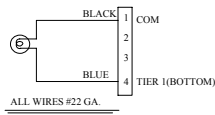
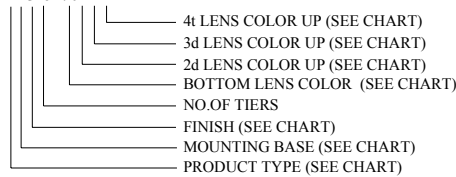
Tower Selections (cont.)

TWR2

	PRODUCT TYPE	BALLY P/N	MTG BASE	FINISH	LENS COLOR	DENOM
(1) TWR2	S5000 (6V) V5500 S5500	USE MOLEX CAP NO 03-09-2049 USE MOLEX PIN NO 02-09-2101 USE LAMP NO 55 (6-8V) 0.4 AMP	E-00660-0400 E-00661-0001	0-NO BASE FLAT TOP	0-NO LENS 1-WHITE 2-RED 3-BLUE	\$100 1¢/5¢ \$1
(2) TWR2	V5000 (24V) POKER 2 nd CHANCE BLACK JACK KENO	USE MOLEX PLUG NO 03-09-1049 USE MOLEX PIN NO 02-09-1102 USE LAMP NO 313 (28V) .17 AMP	E-00662-0400 E-00663-0001	1-WITH BASE ANGLED TOP	4-YELLOW 5-GREEN 6-CORAL 7-PURPLE 8-ORANGE 9-SAPPHIRE BLUE	25¢/TOKEN 25¢ 10¢ 50¢ \$10/\$5/\$25 OBSOLETE-SEE #6 #383
(3) TWR2	OASIS V72	USE MOLEX CAP NO 03-09-2049 USE MOLEX PIN NO 02-09-2101 USE LAMP NO 73 (14V) OR ELEC EQUIV	E-00660-0400 E-00661-0001 E-00120-0108	*-ROUND TOP SEE CAB ASSY		

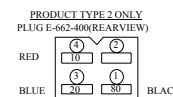
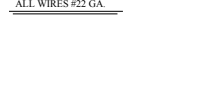
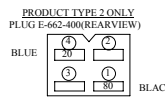


TWR2-01213-6470



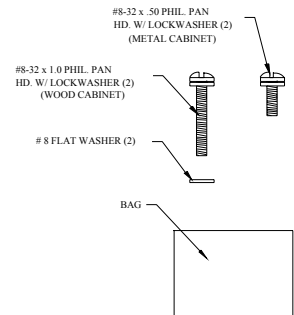
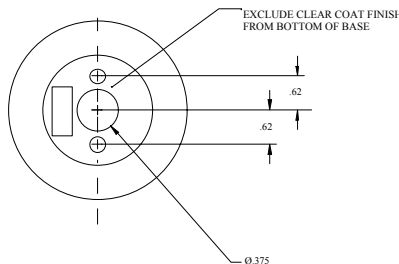
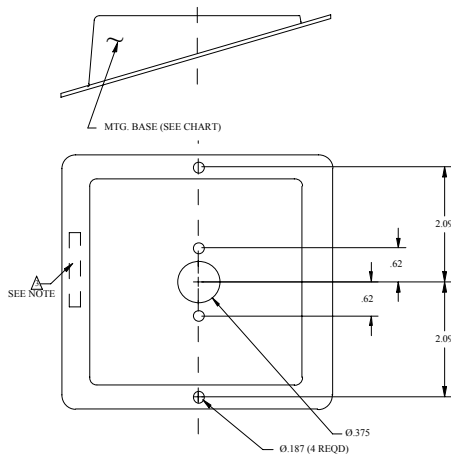
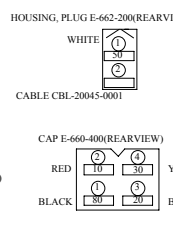
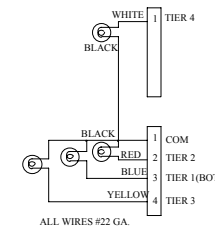
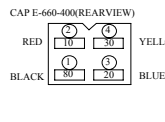
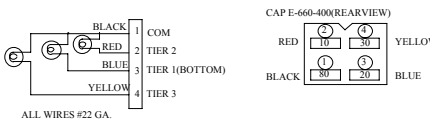
1-TIER TOWER

2-TIER TOWER



3-TIER TOWER

4-TIER TOWER



Cabinet Assembly (cont.)

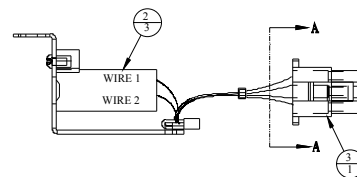
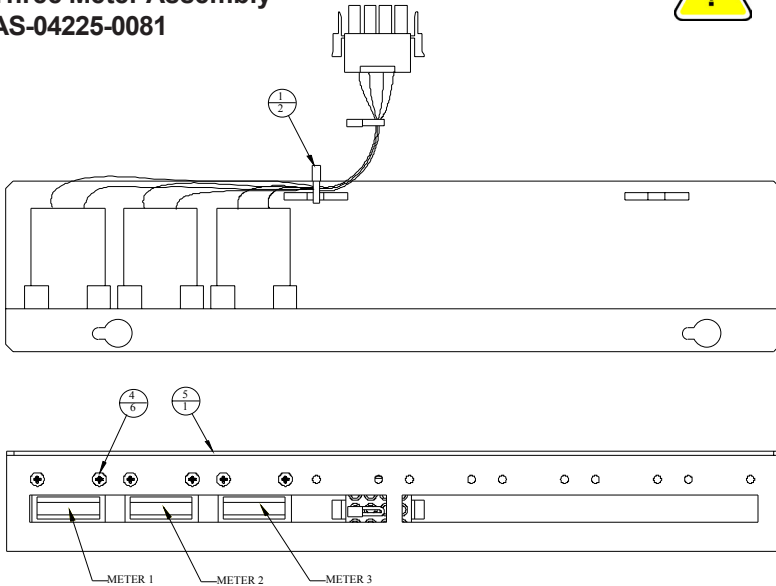
Tower Lens Selections M-02100-(series)

Tower Lens Covers				
Color	Tower Lens Cover, Small		Tower Lens Cover, Large	
	Top Part #	Bottom Part #	Top Part #	Bottom Part #
White	M-02100-0301	M-02100-0401	M-02100-0101	M-02100-0201
Red	M-02100-0302	M-02100-0402	M-02100-0102	M-02100-0202
Blue	M-02100-0303	M-02100-0403	M-02100-0103	M-02100-0203
Yellow	M-02100-0304	M-02100-0404	M-02100-0104	M-02100-0204
Green	M-02100-0305	M-02100-0405	M-02100-0105	M-02100-0205
Coral	M-02100-0306	M-02100-0406	M-02100-0106	M-02100-0206
Purple	M-02100-0307	M-02100-0407	M-02100-0107	M-02100-0207
Orange	M-02100-0308	M-02100-0408	M-02100-0108	M-02100-0208
Blue	M-02100-0309	M-02100-0409	M-02100-0109	M-02100-0209
Teal	M-02100-0310	M-02100-0410	M-02100-0110	M-02100-0210
Powder Blue	M-02100-0311	M-02100-0411	M-02100-0111	M-02100-0211
Pink	M-02100-0312	M-02100-0412	M-02100-0112	M-02100-0212
Amber	M-02100-0313	M-02100-0413	M-02100-0113	M-02100-0213

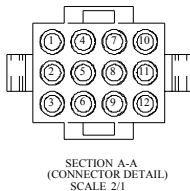
Three Meter Assembly AS-04225-0081



Also Available
AS-04225-0082
Five Meter Assembly



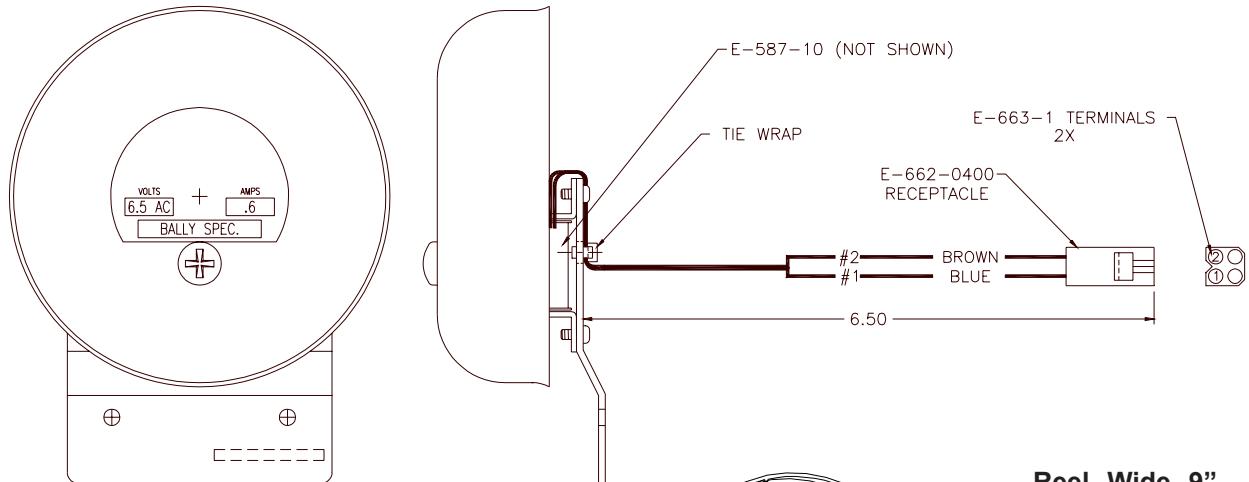
WIRE DIAGRAM	
FROM	TO
METER 1-1	CONN 1-1
METER 1-2	CONN 1-2
METER 2-1	CONN 1-4
METER 2-2	CONN 1-5
METER 3-1	CONN 1-7
METER 3-2	CONN 1-8



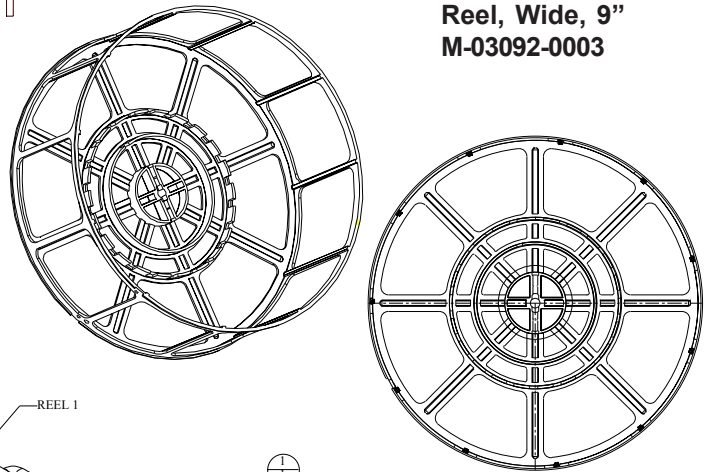
REF	P/N	DESCRIPTION	QTY
1	E-00647-0004	TIE WRAP	2
2	E-00664-0491	ASSY, 7 DIGIT METER W/8" LEAD	3
3	E-00808-0012	CONN HOUSING PLUG	1
4	LSPP-M0350-1104	SCREW, METRIC MACH W/LOCK PHIL PAN HD	6
5	P-09319-0573	BKT, METER MTG	1

Cabinet Assembly (cont.)

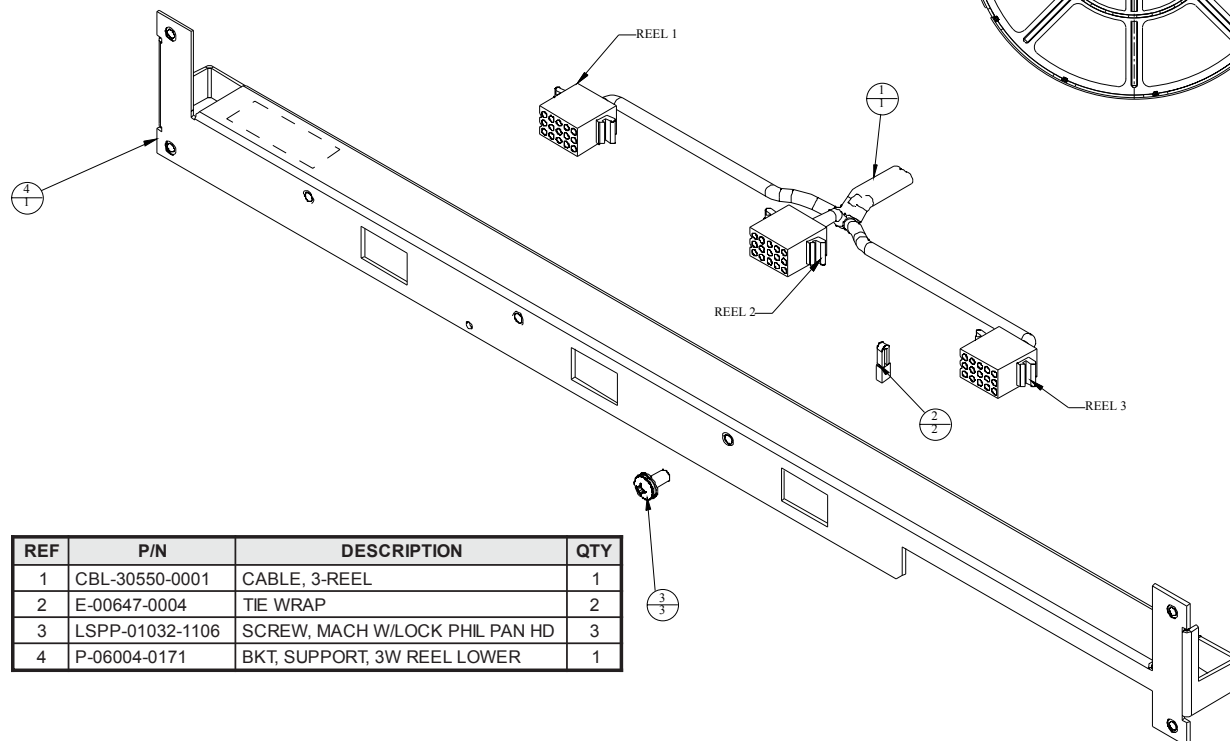
Bell & Receptacle E-00664-0466



Reel, Wide, 9" M-03092-0003



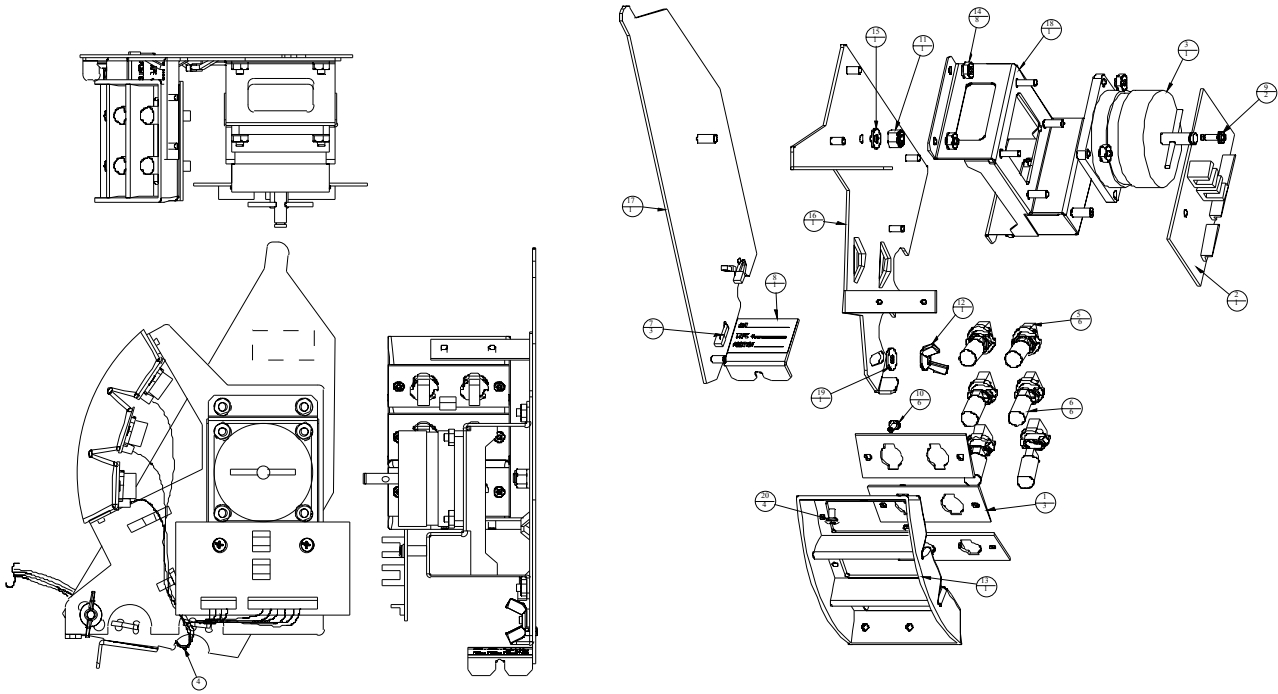
Three Reel Support, Lower Assembly AS-04703-0013



REF	P/N	DESCRIPTION	QTY
1	CBL-30550-0001	CABLE, 3-REEL	1
2	E-00647-0004	TIE WRAP	2
3	LSPP-01032-1106	SCREW, MACH W/LOCK PHIL PAN HD	3
4	P-06004-0171	BKT, SUPPORT, 3W REEL LOWER	1

Cabinet Assembly (cont.)

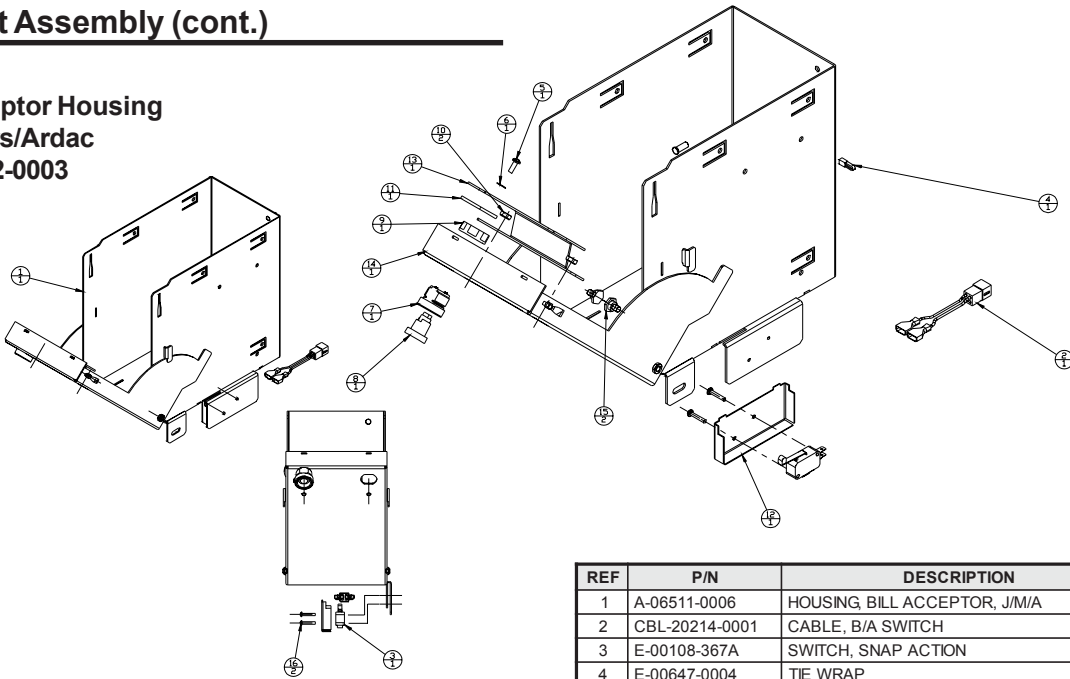
Motor Assembly with Backlit Reel AS-04337-0001



REF	P/N	DESCRIPTION	QTY
1	AS-03356-0526	ASSY, BACK-LIT REELS, LITE BD	3
2	AS-03356-0527	ASSY, REEL DRIVER	1
3	AS-04236-0003	ASSY, MOTOR AND COUPLING	1
4	CBL-30558-0001	CABLE, REEL CONTROL BD	1
5	E-00120-0269	SOCKET, LAMP, PCB, T3-1/4	6
6	E-00125-0120	LAMP, INCANDESCENT, 3193	6
7	E-00647-0004	TIE WRAP	3
8	LBL-00210-0001	LABLE, REEL	1
9	LSPP-00632-1106	SCREW, MACH W/LOCK PHIL PAN HD	2
10	M-00180-179A	RIVET, POP, DOMED HD 1/8 X .232	6
11	M-00319-0001	ELASTIC, STOP NUT (ESNA)	1
12	M-01757-0011	NUT, WING #8-32	1
13	M-02098-0175	LIGHT SHIELD, BACK-LIT REELS WIDE	1
14	NLS-00832-1112	HEX NUT	8
15	P-00801-0672	WASHER, .200ID X .450 OD X .048 THK	1
16	P-09319-0633	BKT, REEL ADJUSTING	1
17	P-09319-0634	BKT, REEL MOUNTING	1
18	P-09319-0635	BKT, REEL MOTOR MT, WIDE	1
19	PW-00010-0012	WASHER, PLAIN	1
20	TFPP-00632-1104	SCREW, 6-32 X 1/4 THD FORM PHIL PAN HD	4

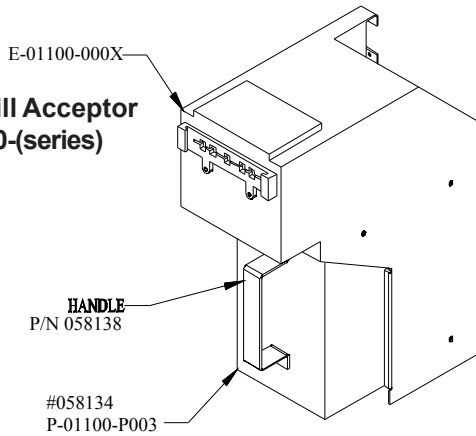
Cabinet Assembly (cont.)

Bill Acceptor Housing JCM/Mars/Ardac AS-06602-0003



REF	P/N	DESCRIPTION	QTY
1	A-06511-0006	HOUSING, BILL ACCEPTOR, J/M/A	1
2	CBL-20214-0001	CABLE, B/A SWITCH	1
3	E-00108-367A	SWITCH, SNAP ACTION	4
4	E-00647-0004	TIE WRAP	1
5	HLPP-00600-1106	SCREW, HI-LO, PHIL PAN HD	1
6	M-01700-0006	LOCK WASHER, EXTERNAL TOOTH	1
7	M-01757-0014	HOUSING, LOCK, PLASTIC	1
8	M-01757-0015	CYLINDER, LOCK PLASTIC	1
9	M-01757-0016	NUT, LOCK HOUSING, PLASTIC	1
10	NLS-00632-1112	HEX NUT	2
11	P-00758-0155	CAM, BA DOOR LK, JCM/MARS/ARDAC	1
12	P-06006-0001	COVER, DOOR SWITCH	1
13	P-06006-0002	COVER, LOCK, JCM/MARS/ARDAC	1
14	P-06008-0001	HOUSING COVER	1
15	S-02028-0001	SCREW, SHOULDER, FRONT DR CBV	2
16	TFPP-00440-1110	SCREW, 4-40 X 5/8 THD FORM PHIL PAN HD	2

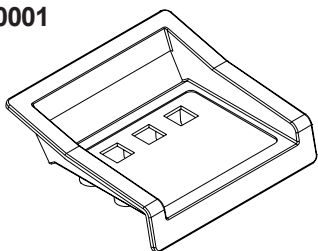
JCM Bill Acceptor E-01100-(series)



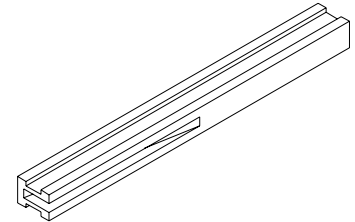
BILL ACCEPTOR TO BE SHIPPED WITH 1 E
BILL BOX PART NO. E-01100-P003 #058134 TOTAL OF 2

Part #	Description	Bally Guide P/N JCM Guide P/N	JCM Handle P/N	JCM Cashbox P/N
E-01100-0005	JCM WBA-12-SS/XXX-501-03	GJ-04000-0001 052519	058138	058134
E-01100-0006	JCM WBA-13-SS/XXX-501-03	GJ-04000-0001 052519	058138	058134
E-01100-0007	JCM WBA-25-SS/XXX-501-03	N/A N/A	058138	898-001013
E-01100-0008	JCM WBA-22-SS/CAN-502-03	GJ-04000-0002 054625	058138	058134
E-01100-0009	JCM WBA-23-SS/CAN-502-03	GJ-04000-0002 054625	058138	058134

Bezel MB-J7800-0001

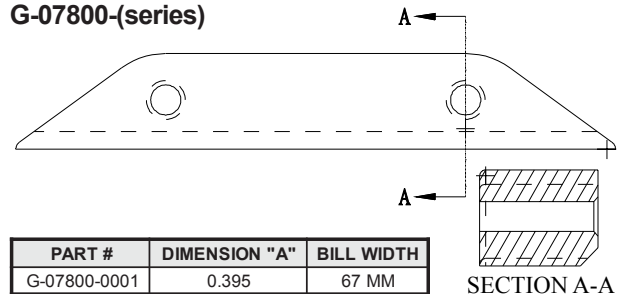


Bill Acceptor Guide GJ-04000-(series)



PART #	BILL SIZE	DESCRIPTION
GJ-04000-0001	67.000	GUIDE, JCM #052519, 67MM
GJ-04000-0002	71.000	GUIDE, JCM #054625, 71 MM
GJ-04000-0003	77.000	GUIDE, JCM #054631, 77 MM
GJ-04000-0004	81.000	GUIDE, JCM #054633, 81 MM

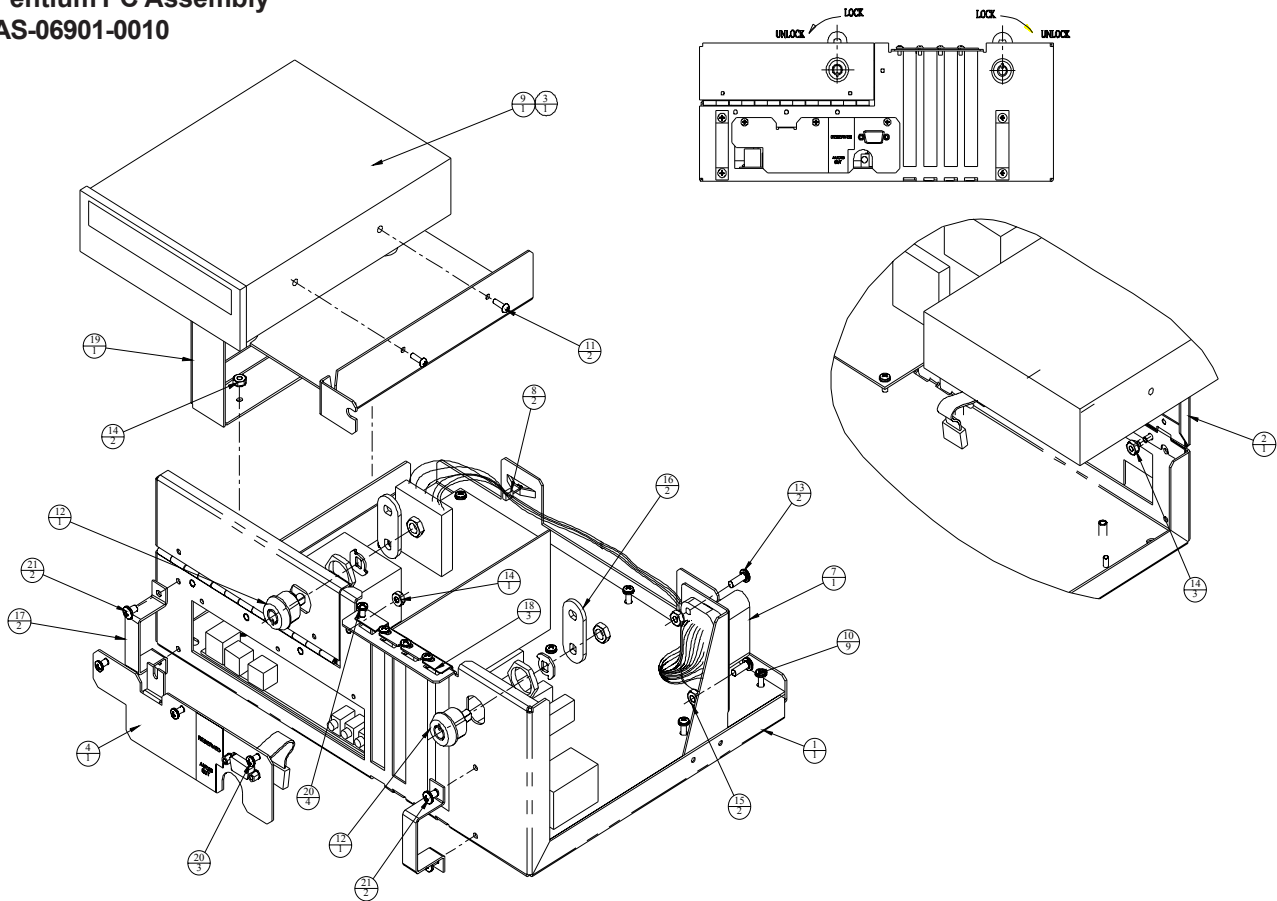
Bezel Guide G-07800-(series)



PART #	DIMENSION "A"	BILL WIDTH
G-07800-0001	0.395	67 MM
G-07800-0002	0.315	71 MM
G-07800-0003	0.200	77 MM

Cabinet Assembly (cont.)

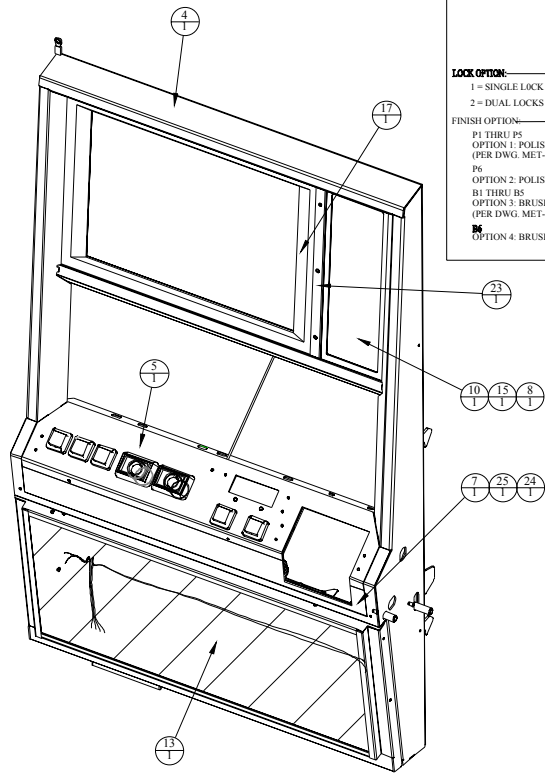
Pentium PC Assembly AS-06901-0010



REF	P/N	DESCRIPTION	QTY
1	A-06901-0008	ASSY, PC TRAY	1
2	A-06901-0009	ASSY, CD-ROM ACCESS DOOR	1
3	AS-02988-0229	ASSY, RIBBON CABLE, IDE	1
4	AS-03025-0171	ASSY, CABLE PC CONNECTOR	1
5	AS-03356-0572	ASSY, MOTHERBOARD	1
6	AS-03356-0509	ASSY, GRAPHICS CARD	1
7	CBL-30519-0001	CABLE, MPU POWER	1
8	E-00647-0004	TIE WRAP	2
9	E-01102-0003	DRIVE, DVD/CD/CD-ROM	1
10	LSPP-00632-1106	SCREW, MACH W/LOCK PHIL PAN HD	9
11	LSPP-M0350-1206	SCREW, METRIC MACH W/LOCK PHIL PAN HD	2
12	M-00281-162A	LOCK, NO CAM, DOOR/BA	2
13	MSPP-00832-1108	SCREW, MACH PHIL PAN HD	2
14	NLS-00632-1112	HEX NUT	6
15	NLS-00832-1112	HEX NUT	2
16	P-00758-0094	CAM, BA STACKER, M0281-132	2
17	P-06264-0332	HANDLE, CARD RACK DOOR	2
18	06901-0020	COVER, I/O - CONN MTG	3
19	P-06901-0038	BKT, CD-ROM DRIVE MTG	1
20	TFPP-00632-1104	SCREW, 6-32 X 1/4 THD FORM PHIL PAN HD	7
21	TFPP-00832-1104	SCREW, 8-32 X 1/4 THD FORM PHIL PAN HD	4
23	FO-00484-7850	INSTRUCTION, MEMORY MODULE LABEL (REFERENCE)	A/R
24	LBL-00278-0001	LABEL, MEMORY MODULES (NOT SHOWN)	1
25	EF-00869-0001	IC, FLASH MEMORY, 29F040, 4MEG	1

Door Assembly

AS-08720-(series)

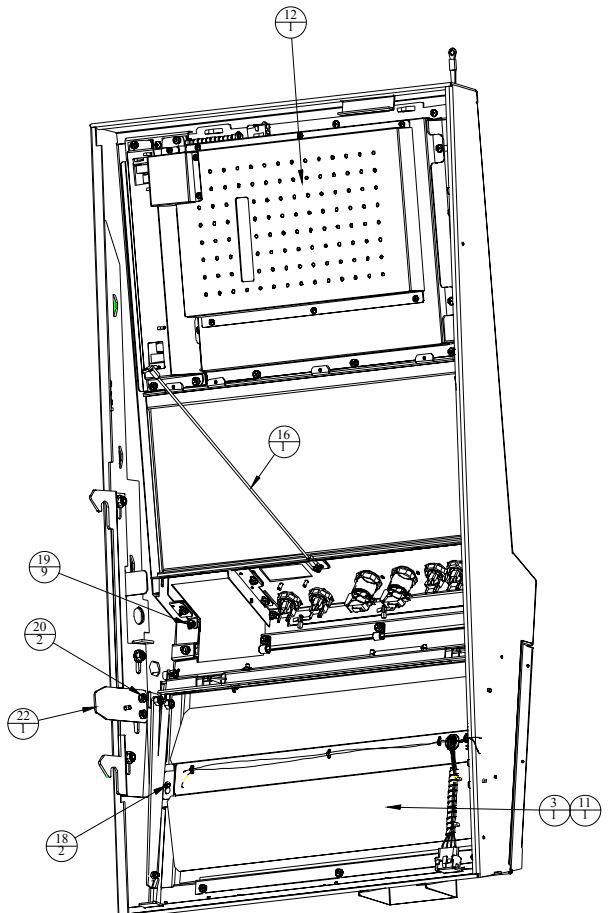
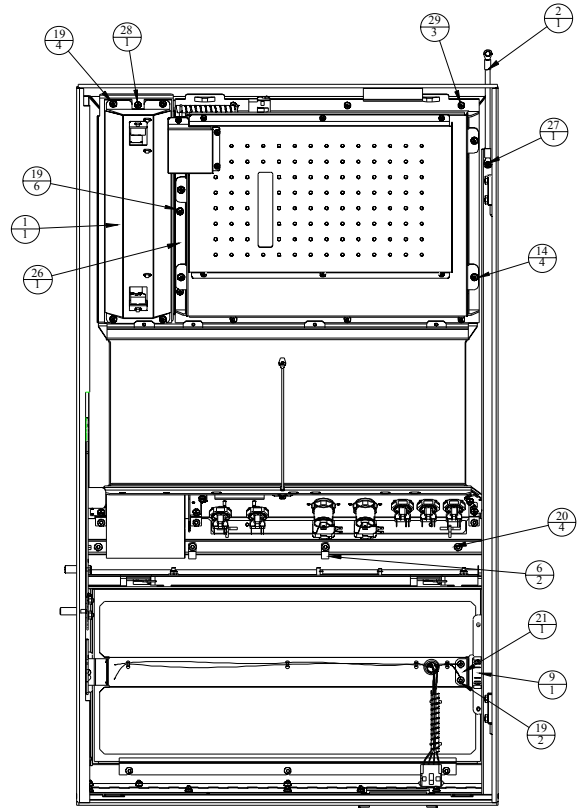


PART NUMBER LEGEND

AS-08720- 0 X XX

LOCK OPTION:
 1 = SINGLE LOCK (LOCK HOLES 1 & 2)
 2 = DUAL LOCKS (LOCK HOLES 1, 2, 3& 4)

FINISH OPTION:
 P1 THRU P5
 OPTION 1: POLISHED BR PLATED ASSY.
 (PER DWG. MET-SPEC-0002)
 P6
 OPTION 2: POLISHED STAINLESS STEEL/SSVA
 B1 THRU B5
 OPTION 3: BRUSHED BR PLATED ASSY.
 (PER DWG. MET-SPEC-0002)
 B6
 OPTION 4: BRUSHED STAINLESS STEEL/AS



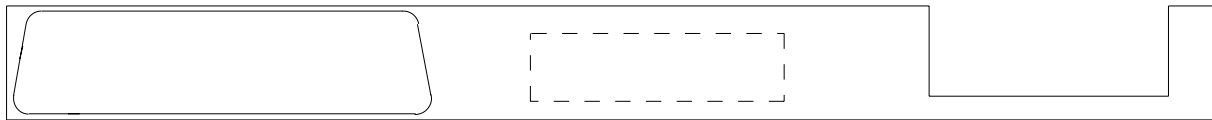
REF	P/N	DESCRIPTION	QTY
1	AS-02335-0089	ASSY, DOOR PANEL LIGHT	1
2	AS-03106-0010	ASSY, GROUND STRAP, 4"	1
3	AS-03361-0026	ASSY, BELLY GLASS LIGHT	1
4	AS-08721-SERIES	ASSY, DOOR COMMON	1
5	AS-08722-07XX	ASSY, 7-BUTTON DECK (REF)	1
6	C-00271-0004	CLIP	2
7	C-04715-2XXX	TRIM, DOOR (REF)	1
8	D175-XXXXX-XXXX	DECAL	1
9	E-00108-0385	SWITCH, DOOR PUSH	1
10	E-00412-0006	LAMP, 4W	1
11	E-00412-0013	LAMP, FLUORESCENT F15T8/CW	1
12	E-00832-0104	15" FLAT PANEL DISPLAY	1
13	G-R0595	GLASS, BELLY	1
14	LSPP-00832-1106	SCREW, MACJ W/LOCK PHIL PAN HD	4
15	M-01755-0991	WINDOW	1
16	M-01777-5410	CABLE, DOOR STOP	1
17	M-02031-0037	BEZEL, FLAT SCREEN	1
18	MSPP-00632-1104	SCREW, MACH PHIL PAN HD	2
19	NLS-00632-1112	HEX NUT	21
20	NLS-00832-1112	HEX NUT	6
21	P-00604-0020	BKT, BELLY DOOR OPEN	1
22	P-06004-0135	GUIDE, DOOR	1
23	P-08723-0010	PANEL, DOOR	1
24	P-09322-0342L	STRIP, DR TRIM MTG	1
25	P-09322-0342R	STRIP, DR TRIM MTG	1
26	P-09400-0027	FRAME, FLAT PANEL	1
27	TFPP-00632-1104	SCREW, 6-32 X 1/4 THD FORM PHIL PAN HD	1
28	TFPP-00832-1104	SCREW, 8-32 X 1/4 THD FORM PHIL PAN HD	1
29	TFPP-00832-1106	SCREW, 8-32 X 3/8 THD FORM PHIL PAN HD	3

Door Assembly (cont.)

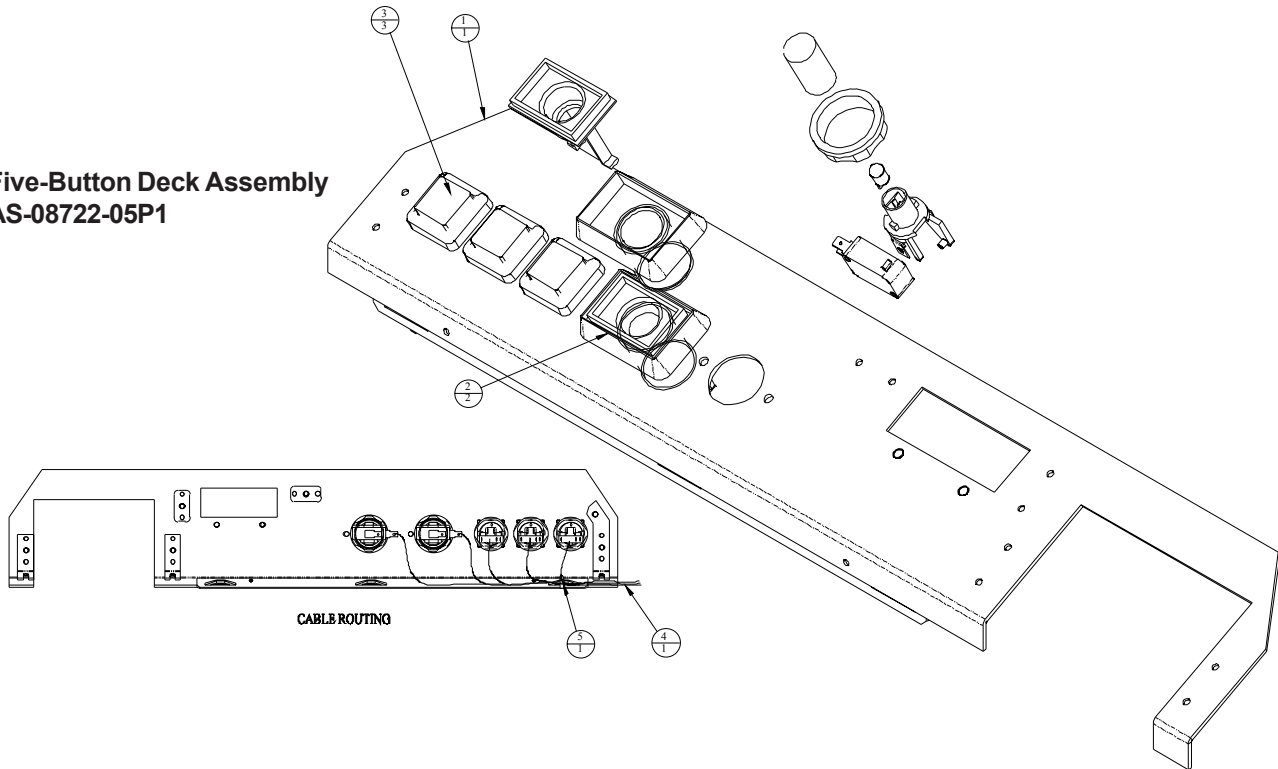
Trim Assembly A-04717-(series)

P/N	DIMENSION A	DIMENSION B	DIMENSION C	DIMENSION D
C-04717-1XXX	20.160	3.940	.806	1.500
C-04717-2XXX	19.900	3.940	.806	1.500

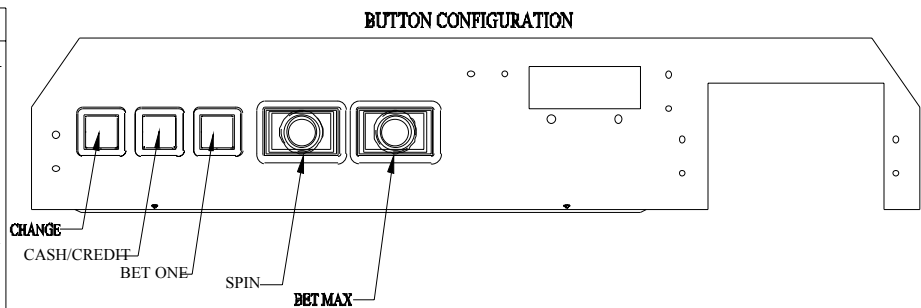
PART NUMBER LEGEND	
	C-04715-X X XX
MODEL USAGE:	0 = S6/V8 (SEE DIMENSION TABULATION) 1 = V7217/19 (SEE DIMENSION TABULATION) 2 = HYBRID (SEE DIMENSION TABULATION)
FINISH OPTION:	1 = P1, CHROME PLATED, POLISHED 2 = B1, CHROME PLATED, BRUSHED 4 = P4, GOLD PLATED, POLISHED 5 = B4, GOLD PLATED, BRUSHED (PER DRAWING, MET-SPEC-0002)
GRAPHIC OPTION:	00 = NO GRAPHIC ALL OTHER NUMBER OR LETTER COMBINATIONS, SEE BALLY ART DEPT FOR GRAPHIC INFORMATION



Five-Button Deck Assembly AS-08722-05P1



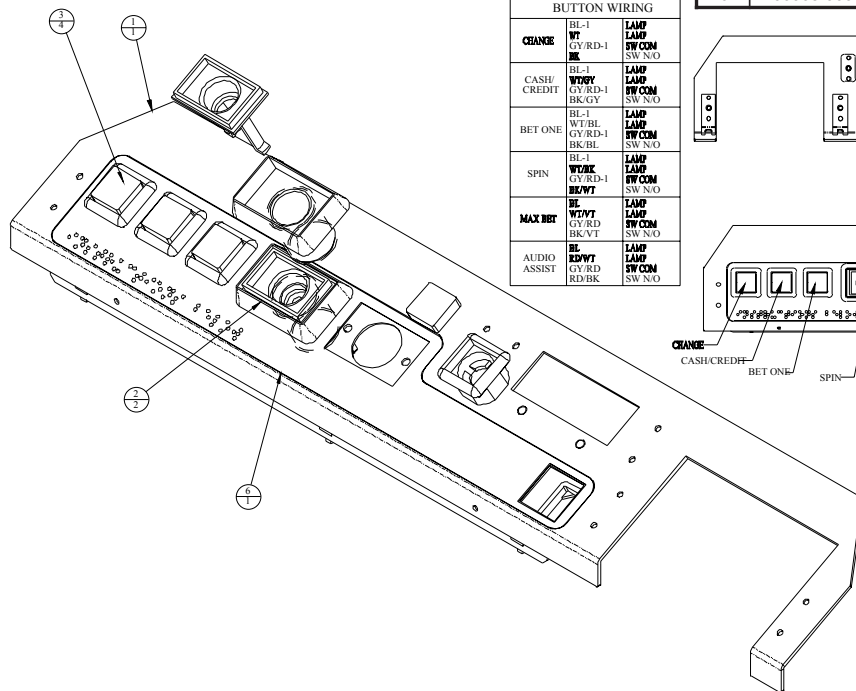
PART NUMBER LEGEND	
	AS-08722-05 XX
FINISH OPTION:	
P1 THRU P5	OPTION 2: POLISHED & PLATED ASSY (PER DRAWING, MET-SPEC-0002)
P6	OPTION 3: POLISHED STAINLESS STEEL ASSY
B1 THRU B5	OPTION 4: BRUSHED & PLATED ASSY (PER DRAWING, PC-SPEC-0001, TABLE "A")
B6	OPTION 5: BRUSHED STAINLESS STEEL ASSY



REF	P/N	DESCRIPTION	QTY
1	A-08724-05XX	ASSY, 5-BUTTON DECK PLT (SEE LEGEND)	1
2	BH-04571-0001	SWITCH, HAPP BLK RECTANGLE	2
3	BH-04738-0001	SWITCH, HAPP, SQ BLK	3
4	CBL-30547-0001	CABLE, 7-BUTTON DECK	1
5	E-00647-0004	TE WRAP	1

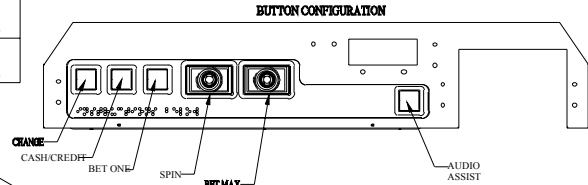
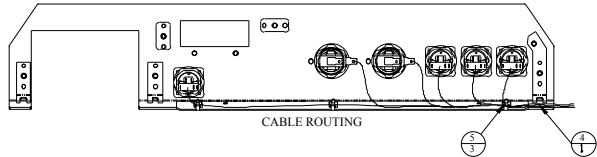
Door Assembly (cont.)

Six-Button Deck Assembly AS-08722-06P1



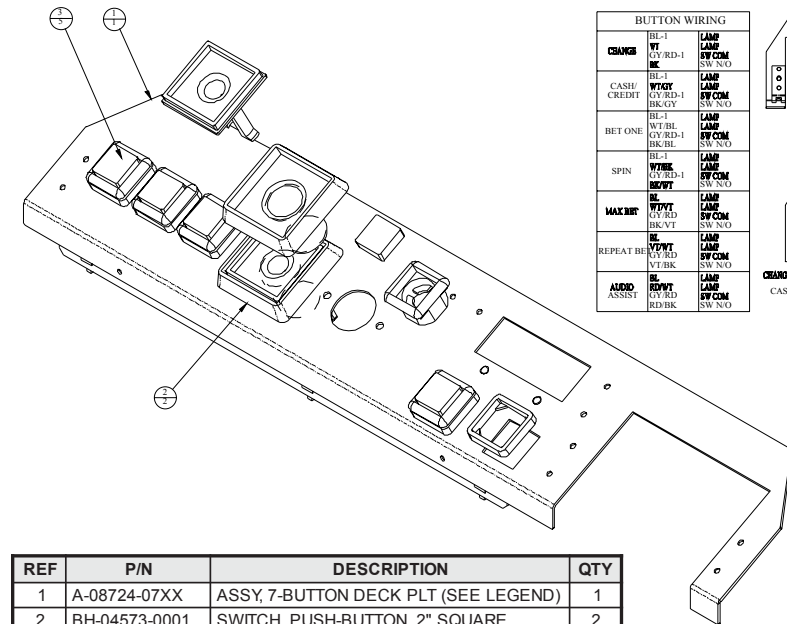
BUTTON WIRING			
CHANGE	BL-1 WT GY/RD-1 BK	LAMP LAMP SW COM SW N/O	
CASH/ CREDIT	BL-1 W/YGY GY/RD-1 BK/GY	LAMP LAMP SW COM SW N/O	
BET ONE	BL-1 WT/BL GY/RD-1 BK/BL	LAMP LAMP SW COM SW N/O	
SPIN	BL-1 W/YBK GY/RD-1 BK/WT	LAMP LAMP SW COM SW N/O	
MAX BET	BL W/YWT GY/RD BK/YT	LAMP LAMP SW COM SW N/O	
AUDIO ASSIST	BL RD/YWT GY/RD RD/BK	LAMP LAMP SW COM SW N/O	

REF	P/N	DESCRIPTION	QTY
1	A-08724-06XX	ASSY, 6-BUTTON DECK PLT (SEE LEGEND)	1
2	BH-04571-0001	SWITCH, HAPP BLK RECTANGLE	2
3	BH-04738-0001	SWITCH, HAPP, SQ BLK	4
4	CBL-30547-0001	CABLE, 7-BUTTON DECK	1
5	E-00647-0004	TIE WRAP	3
6	P-06908-0001	BRILLE, BUTTON PLATE	1

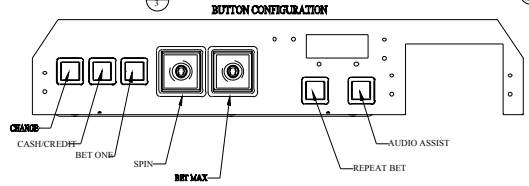
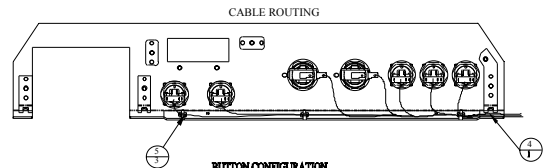


PART NUMBER LEGEND	
AS-08722-06	XX
FINISH OPTION _____	
P1 THRU P5	
OPTION 2: POLISHED & PLATED ASSY (PER DRAWING, MET-SPEC-0002)	
P6	
OPTION 3: POLISHED STAINLESS STEEL ASSY	
B1 THRU B5	
OPTION 4: BRUSHED & PLATED ASSY (PER DRAWING, PC-SPEC-0001, TABLE "A")	
B6	
OPTION 5: BRUSHED STAINLESS STEEL ASSY	

Seven-Button Deck Assembly AS-08722-07P1



BUTTON WIRING			
CHANGE	BL-1 WT GY/RD-1 BK	LAMP LAMP SW COM SW N/O	
CASH/ CREDIT	BL-1 W/YGY GY/RD-1 BK/GY	LAMP LAMP SW COM SW N/O	
BET ONE	BL-1 WT/BL GY/RD-1 BK/BL	LAMP LAMP SW COM SW N/O	
SPIN	BL-1 W/YBK GY/RD-1 BK/WT	LAMP LAMP SW COM SW N/O	
MAX BET	BL W/YWT GY/RD BK/YT	LAMP LAMP SW COM SW N/O	
REPEAT BET	BL W/YWT GY/RD VT/BK	LAMP LAMP SW COM SW N/O	
AUDIO ASSIST	BL RD/YWT GY/RD RD/BK	LAMP LAMP SW COM SW N/O	



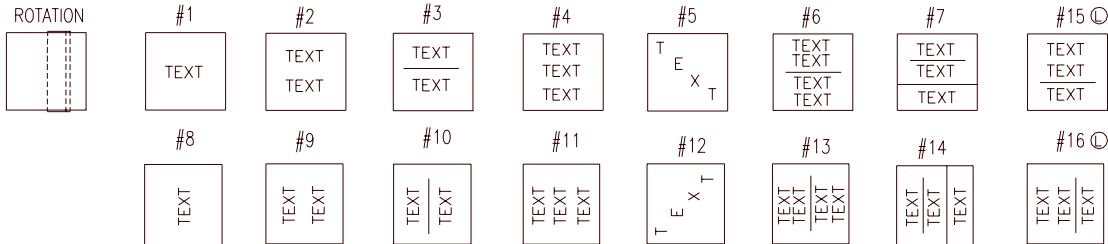
PART NUMBER LEGEND	
AS-08722-07	XX
FINISH OPTION _____	
P1 THRU P5	
OPTION 2: POLISHED & PLATED ASSY (PER DRAWING, MET-SPEC-0002)	
P6	
OPTION 3: POLISHED STAINLESS STEEL ASSY	
B1 THRU B5	
OPTION 4: BRUSHED & PLATED ASSY (PER DRAWING, PC-SPEC-0001, TABLE "A")	
B6	
OPTION 5: BRUSHED STAINLESS STEEL ASSY	

REF	P/N	DESCRIPTION	QTY
1	A-08724-07XX	ASSY, 7-BUTTON DECK PLT (SEE LEGEND)	1
2	BH-04573-0001	SWITCH, PUSH-BUTTON, 2" SQUARE	2
3	BH-04738-0001	SWITCH, HAPP, SQ BLK	4
4	CBL-30547-0001	CABLE, 7-BUTTON DECK	1
5	E-00647-0004	TIE WRAP	3

Door Assembly (cont.)

Square Legend Plate BL-04738-(series)

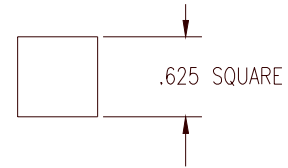
Assembly #	Legend	English Translation	Text Specs.	Legend Plate Color	Special Instructions
BL-04738-0005	Bet One		#2,A	White	
BL-04738-0007	Change		#1,A	Red	Color text to be white
BL-04738-0015	Cash/Credit		#3,A	White	
BL-04738-0060	Apuesta Uno	Bet One	#2,A,C	White	
BL-04738-0062	Cambio	Change	#1,A,C	Red	Color text to be white
BL-04738-0063	Pago/Credito	Cash/Credit	#3,A,C	White	
BL-04738-0174	Audio Assist		#2,A	White	Per Bally approved artwork
BL-04738-0181		Bet One	#1,A,K	White	
BL-04738-0182		Change	#1,A,K	White	
BL-04738-0183		Cash/Credit	#2,A,K	White	



A: TEXT HEIGHT: PER BALLY APPROVED ARTWORK. TEXT MUST BE BLACK UNLESS OTHERWISE SPECIFIED.

- B: GERMAN
- C: SPANISH
- D: FRENCH
- E: EAST CANADIAN FRENCH\ENGLISH
- F: (PORTUGUESE ie. BRAZIL)
- G: PORTUGUESE
- H: ESTONIAN
- J: ENG/FR ONTARIO

ASSEMBLY TO BE SUPPLIED WITH PN E-00125-0084 AND LAMP #86 (T 1 3/4 6.3V) OR EQUIVALENT.

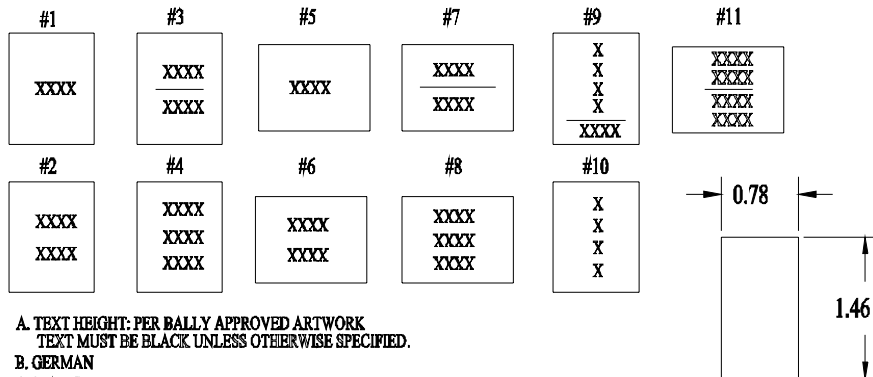


LEGEND PLATE
SIZE REFERENCE

Rectangular Legend Plate BL-04571-SERIES

Assembly #	Legend	English Translation	Text Specs.	Legend Plate Color	Special Instructions
BL-04571-0007	Spin		#5,A	White	
BL-04571-0008	Bet Max		#5,A	White	

LEGEND ORIENTATION



A. TEXT HEIGHT: PER BALLY APPROVED ARTWORK. TEXT MUST BE BLACK UNLESS OTHERWISE SPECIFIED.

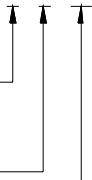
- B. GERMAN
- C. SPANISH
- D. FRENCH
- E. EAST CANADIAN FRENCH/ENGLISH
- F. PORTUGUESE
- G. ENG/FR. ONTARIO

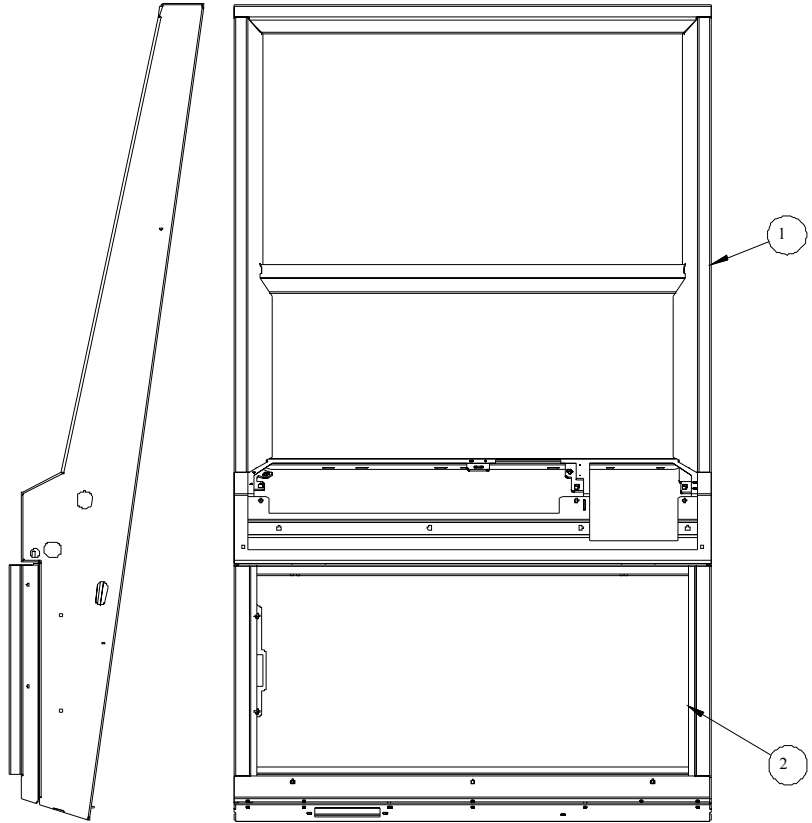
ASSEMBLY TO BE SUPPLIED WITH CHERRY SWITCH #D449-VWAA AND LAMP #555 (T 3 1/4 6.3V) OR EQUIVALENT. BALLY PART #: E-125-96.

LEGEND PLATE
SIZE REFERENCE

Door Assembly (cont.)

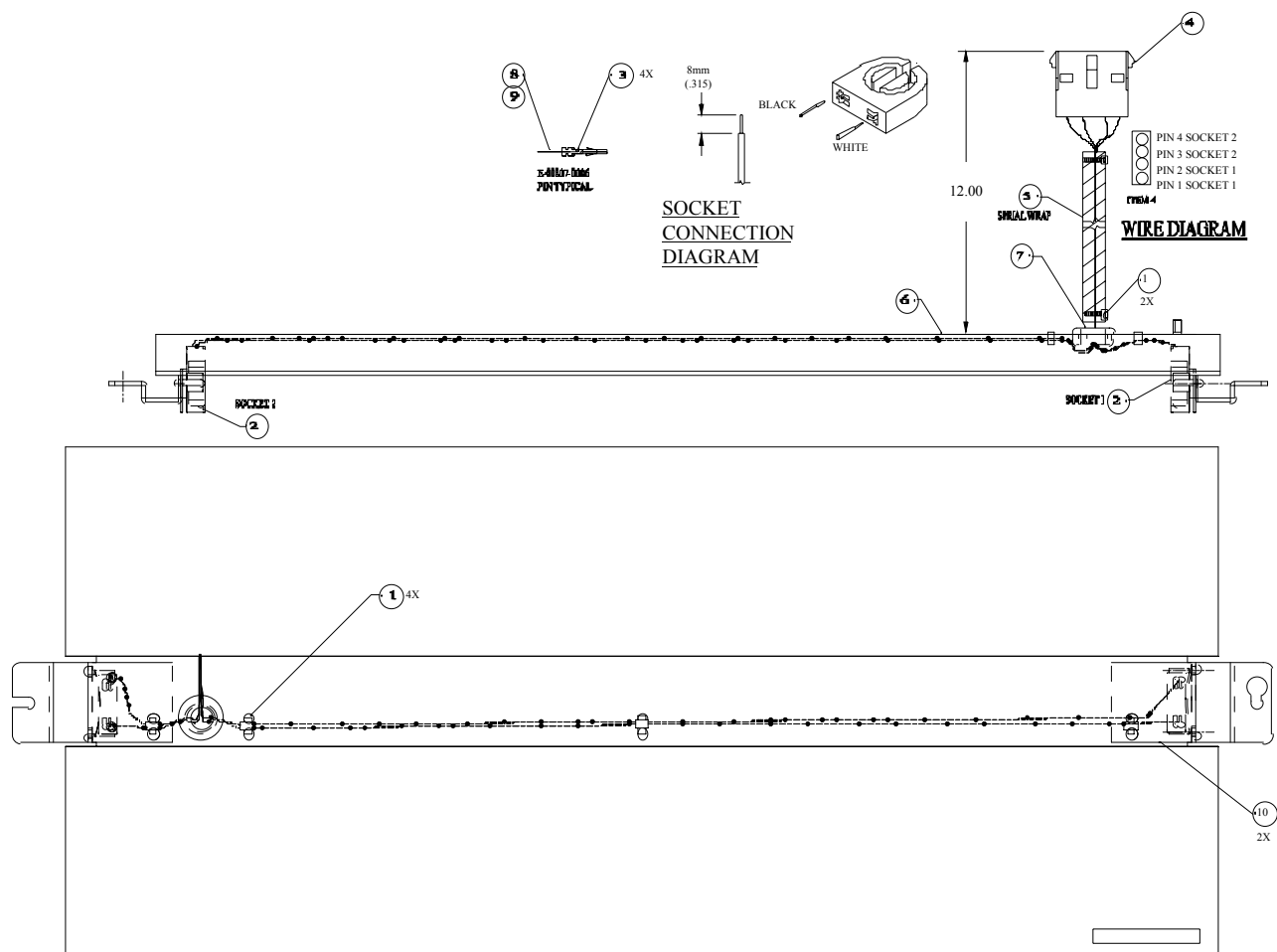
Belly Door Assembly A-08722-(series)

PART NUMBER LEGEND	
	A-08722- X X XX
	
DOOR SIDES FINISH:	
0	= BRUSHED
1	= POLISHED
LOCK OPTION:	
1	= 1 BELLY DOOR& 1 MAIN LOCK
2	= 2 BELLY DOOR& 2 MAIN LOCKS
3	= 1 BELLY DOOR& 2 MAIN LOCKS
FINISH OPTION:	
P1 THRU P5	
OPTION 1: POLISHED PLATED ASSY. (PER DWG. MET-SPEC-0002).	
P6	
OPTION 2: POLISHED STAINLESS STEEL	
B1 THRU B5	
OPTION 3: BRUSHED PLATED ASSY. (PER DWG. MET-SPEC-0002)	
B6	
OPTION 5: BRUSHED STAINLESS STEEL	



Door Assembly (cont.)

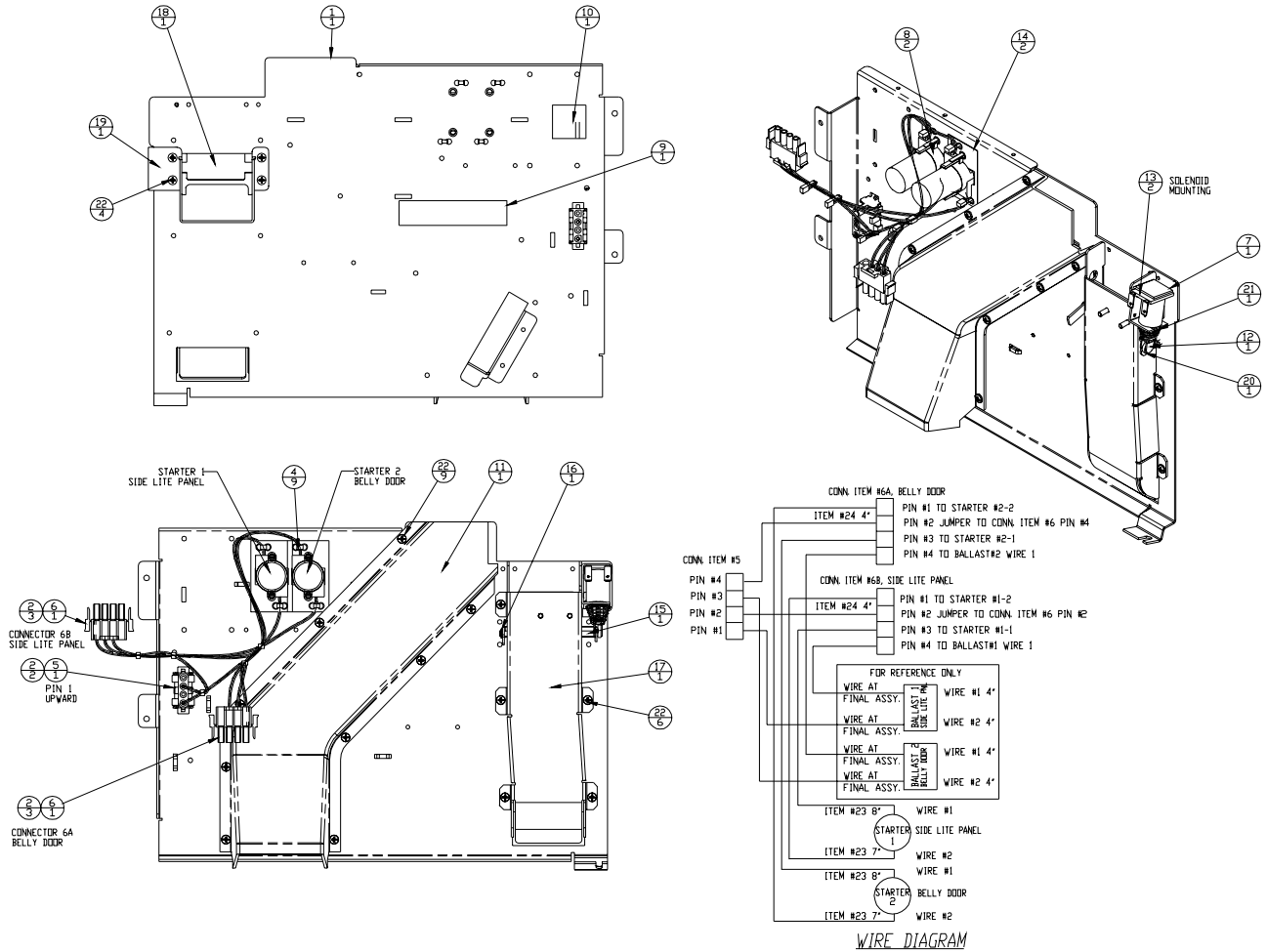
Display Glass Light Assembly AS-03361-0026



REF	P/N	DESCRIPTION	QTY
1	E-00647-0004	TIE WRAP	6
2	E-00120-0266	SOCKET, FLUORESCENT LAMP	2
3	E-00807-0006	PIN, AMP 24-18 AWG	4
4	E-00804-0004	CONNECTOR HOUSING PLUG	1
5	M-01777-5602	SPIRAL WRAP 3/8" DIA	A/R
6	P-06004-0021	BRACKET, LIGHT, DOOR MOUNTING	1
7	R-00111-0060	GROMMET, 3/4"	1
8	WIP-ES202-1850	PVC, SOLID 18 AWG WHITE TYPE TEW	A/R
9	WIP-ES202-1880	PVC, SOLID 18 AWG BLACK TYPE TEW	A/R
10	P-00150-0290	INSULATOR	2

Door Assembly (cont.)

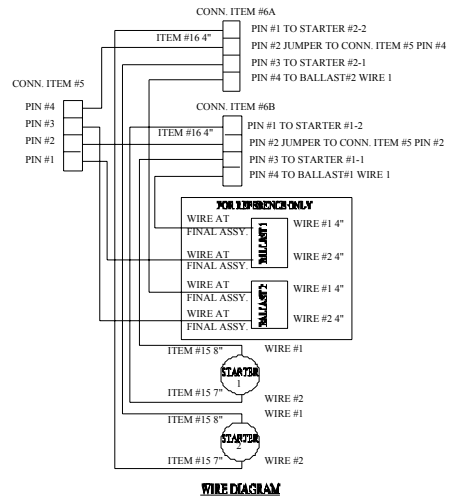
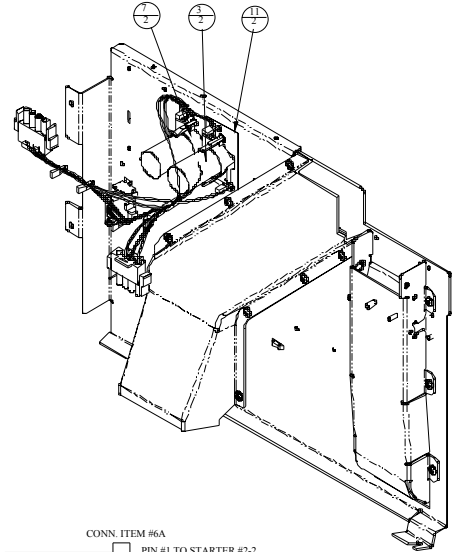
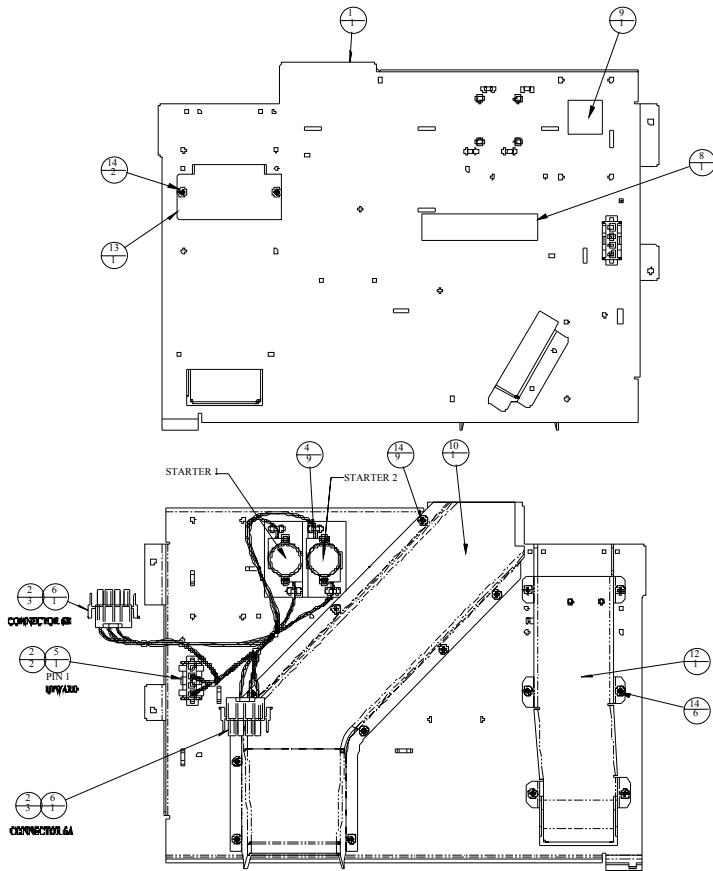
Coin Panel Assembly (Hopper) AS-03210-0094



REF	P/N	DESCRIPTION	QTY
1	A-06505-0008	ASSY, COIN PANEL, BL/ST	1
2	E-00807	SOCKET, AMP, 24-18	8
3	E-00411-0010	STARTER, FLUORESCENT, FS-2	2
4	E-00647-0004	TIE WRAP	9
5	E-00804-0004	CONN HOUSING CAP	1
6	E-00808-0004	CONN HOUSING PLUG	2
7	E-00947-0019	COIL, DIVERTER	1
8	E-00120-0265	SOCKET, FLUORESCENT LAMP STARTER CE97	2
9	LBL-00109-001A	LABEL, POWER OFF	1
10	LBL-00113-001A	LABEL, HIGH VOLTAGE	1
11	M-03093-0022	CHUTE, COIN REJECT	1
12	M-03104-0001	LINK, PLASTIC, COIN DIVERTER	1
13	MSPX-00632-1102	SCREW, MACH PHIL FLAT HD 82 DEG	2
14	P-00150-0292	INSULATOR, POLYCARBONATE CE 97	2
15	P-01638-0003	PIN, PIVOT	1
16	P-02891-0004	RETAINING RING .156 SHAFT X .025 THK	1
17	P-06804-0004	CHUTE, COIN DIVERTER	1
18	P-09319-0519	DIVERTER, COIN	1
19	P-09319-0527	RAMP, COIN HOPPER	1
20	S-00231-1031	SPACER, PLASTIC, DIVERTER LINK	1
21	SP-00200-0246	SPRING, COMPRESSION	1
22	TFFP-00632-1104	SCREW, 6-32 X 1/4 THD FORM PHIL PAN HD	19
23	WIP-ES202-1850-0094	PVC, SOLID 18 AWG BLACK TYPE TEW	1
24	WIP-ES202-1880-0094	PVC, SOLID 18 AWG BLACK TYPE TEW	1

Door Assembly (cont.)

Coin Panel Assembly (Printer) AS-03210-0105



REF	P/N	DESCRIPTION	QTY
1	A-06505-0008	ASSY, COIN PANEL, BL/ST	1
2	E-00807	SOCKET, AMP, 24-18	8
3	E-00411-0008	STARTER, FLUORESCENT, FS-2	2
4	E-00647-0004	TIE WRAP	9
5	E-00804-0004	CONN HOUSING CAP	1
6	E-00808-0004	CONN HOUSING PLUG	2
7	E-00120-0265	SOCKET, FLUORESCENT LAMP STARTER CE97	2
8	LBL-00109-001A	LABEL, POWER OFF	1
9	LBL-00113-001A	LABEL, HIGH VOLTAGE	1
10	M-03093-0022	CHUTE, COIN REJECT	1
11	P-00150-0292	INSULATOR, POLYCARBONATE CE 97	2
12	P-06804-0004	CHUTE, COIN DIVERTER	1
13	P-09327-0001	GLIDE, COIN	1
14	TFPP-00632-1104	SCREW, 6-32 X 1/4 THD FORM PHIL PAN HD	17
15	WIP-ES202-1850-0094	PVC, SOLID 18 AWG BLACK TYPE TEW	1
16	WIP-ES202-1880-0094	PVC, SOLID 18 AWG BLACK TYPE TEW	1

Door Assembly (cont.)

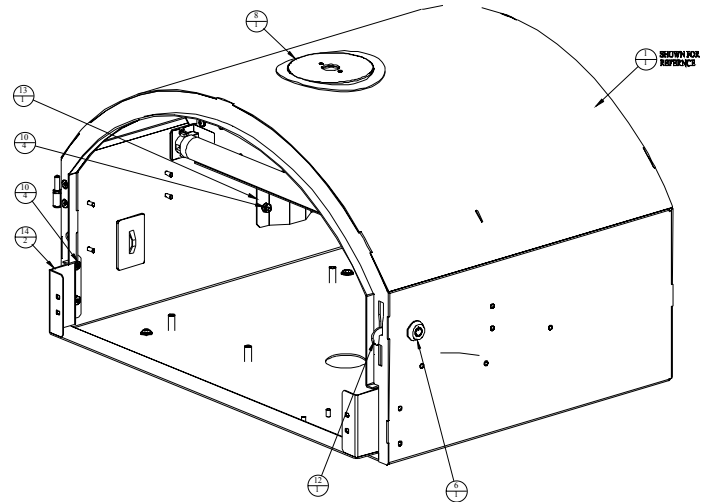
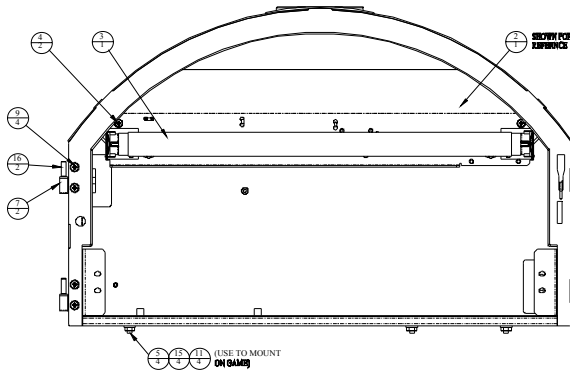
Coin Tray AS-05998-(series)

REF	P/N	DESCRIPTION	QTY
1	SEE LEGEND	END CAP, COIN CLIP, RIGHT	1
2	SEE LEGEND	END CAP, COIN CLIP, LEFT	1
3	M-01757-0010	NUT, ACORN 8-32	4
4	M-01777-5415	ENVELOPE, PLASTIC, 7 3/4 X 3	1
5	NLS-00832-1112	NUT-8-32 HEX	2
6	SEE LEGEND	CHUTE, DROP	1
7	SEE LEGEND	BACK PLATE, COIN TRAY	1
8	SEE LEGEND	TRAY, COIN, SS	1
9	LSPP-01032-1106	SCREW, 10-32 X 3/2 THD FORM PHIL PAN HD	2
10	SEE LEGEND	CATCH, COIN TRAY	2
11	SEE LEGEND	SCREW 10-32 X LEGEND PHIL PAN HD	2

Assembly #	Description	End Cap ⁽¹⁾	End Cap ⁽²⁾	Chute ⁽⁶⁾	Back Plate ⁽⁷⁾
AS-05998-0601	Wide Chr/S.S. Plt. S6K	C-04710-0101	C-04710-0102	P09189-0017	P-06001-0002
AS-05998-0603	Wide Gld/S.S. Plt. S6K	C-04710-0109	C-04710-0110	P09189-0017	P-06001-0002
AS-05998-0604	Wide Gld/Gld Plt. S6K	C-04710-0113	C-04710-0114	P09189-0017	P-06001-0004
AS-05998-0701	Wide Chr/S.S. Plt. S6K Printer	C-04710-0101	C-04710-0102	P09189-0017	P-06001-00P6
AS-05998-0703	Wide Gld/S.S. Plt. S6K Printer	C-04710-0101	C-04710-0110	P09189-0017	P-06001-00P6
AS-05998-0704	Wide Gld/Gld Plt. S6K Printer	C-04710-0101	C-04710-0114	P09189-0017	P-06001-00P7

Assembly #	Description	Coin Tray ⁽⁸⁾	Coin Tray Catch ⁽¹⁰⁾	Screw ⁽¹¹⁾
AS-05998-0601	Wide Chr/S.S. Plt. S6K	P-09319-076A	M-03099-0004	LSPP-01032-1120
AS-05998-0603	Wide Gld/S.S. Plt. S6K	P-09319-076A	M-03099-0004	LSPP-01032-1120
AS-05998-0604	Wide Gld/Gld Plt. S6K	P-09319-076A	M-03099-0004	LSPP-01032-1120
AS-05998-0701	Wide Chr/S.S. Plt. S6K Printer	P-09319-076A	M-03099-0004	LSPP-01032-1120
AS-05998-0703	Wide Gld/S.S. Plt. S6K Printer	P-09319-076A	M-03099-0004	LSPP-01032-1120
AS-05998-0704	Wide Gld/Gld Plt. S6K Printer	P-09319-076A	M-03099-0004	LSPP-01032-1120

Top Box, Oval Top (System) AS-04222-0398

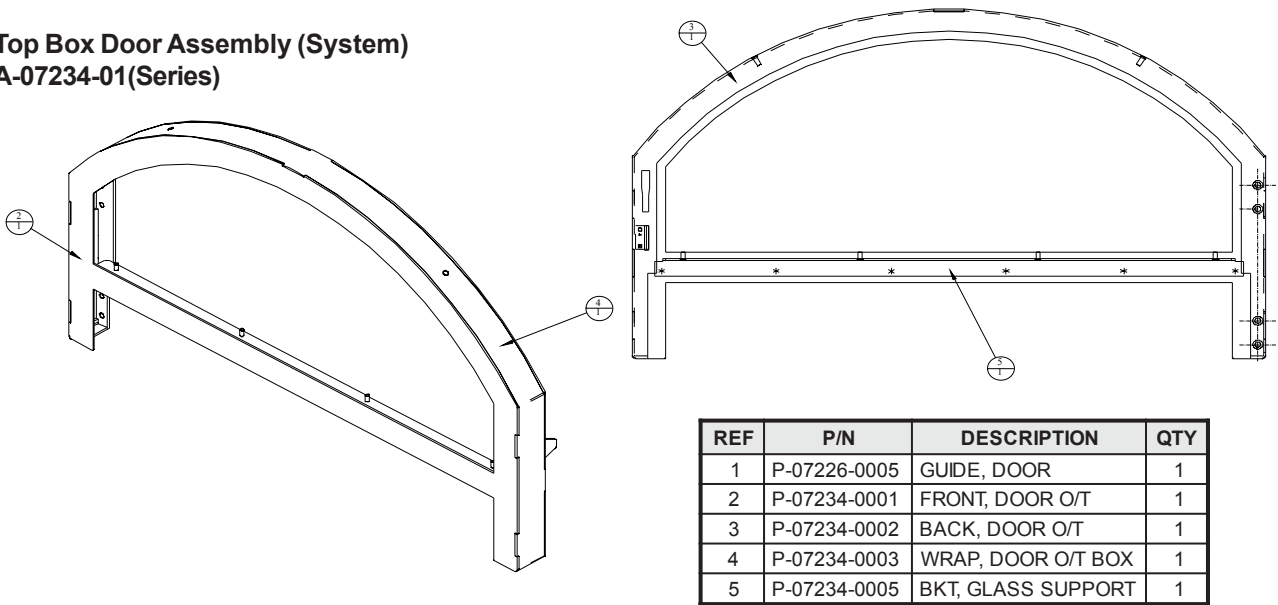


Also Available
 AS-04222-0414
 Top Box, Oval Top (No System)
 AS-04222-0430
 Top Box, Extended Top (System)
 AS-04222-0431
 Top Box, Extended Top
 (System/Printer)
 AS-04222-0432
 Top Box, Extended Top
 (No System/No Printer)

REF	P/N	DESCRIPTION	QTY
1	A-X7228-SERIES	ASSY, CABINET O/T	1
2	AS-02335-0090	ASSY, SKT/STR/BLST 60HZ	1
3	E-00412-0013	LAMP, FLUORESCENT F15T8-CW	1
4	LSPP-00832-1106	SCREW, MACH W/LOCK PHIL PAN HD	2
5	LSPP-01032-1106	SCREW, MACH W/LOCK PHIL PAN HD	4
6	M-00281-162A	LOCK, NO CAM, DOOR/BA	1
7	M-01777-0547	BKT, HINGE	2
8	M-03097-0001	BASE, TOWER WIDE	1
9	MSPX-00832-1106	SCREW, MACH PHIL FLAT HD 82 DEG	4
10	NLS-00832-1112	HEX NUT	8
11	NLS-01032-1112	HEX NUT	4
12	P-00758-0185	CAM, TOP BOX DOOR	1
13	P-06717-0067	BAFFLE, VENT UPPER	1
14	P-09322-0348	BKT, SYSTEMS PANEL	2
15	PW-00010-0012	WASHER, PLAIN	4
16	S-00700-0003	PIN, HINGE	2

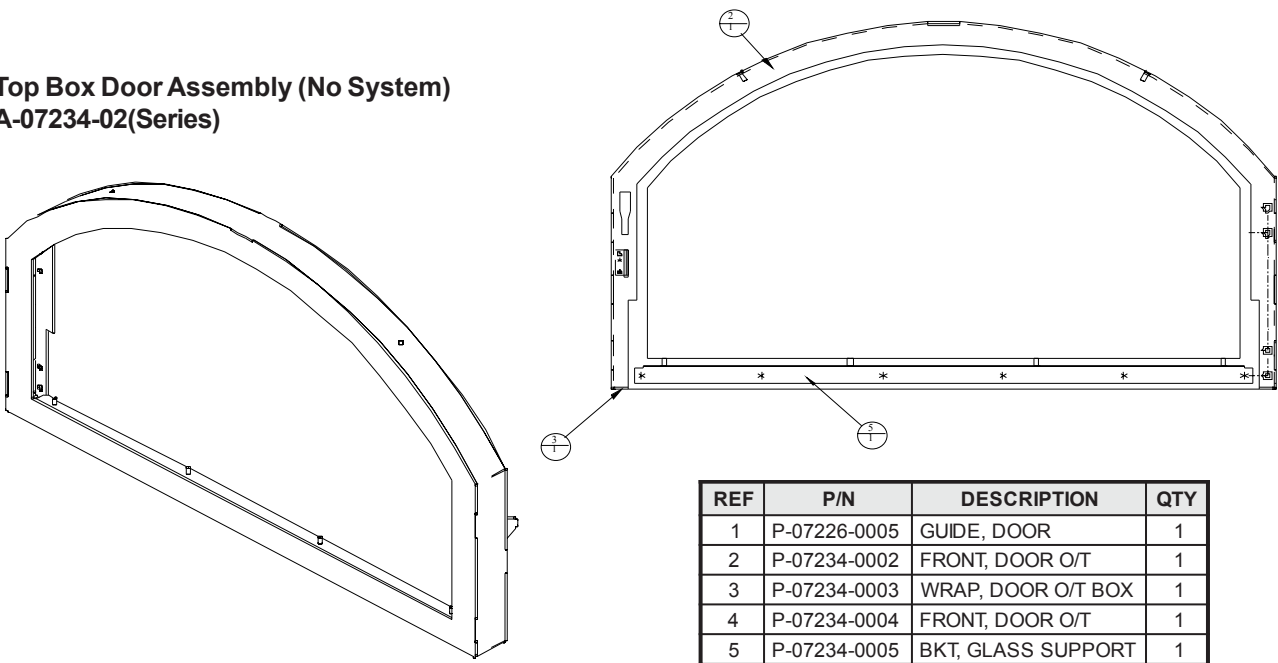
Door Assembly (cont.)

**Top Box Door Assembly (System)
A-07234-01(Series)**



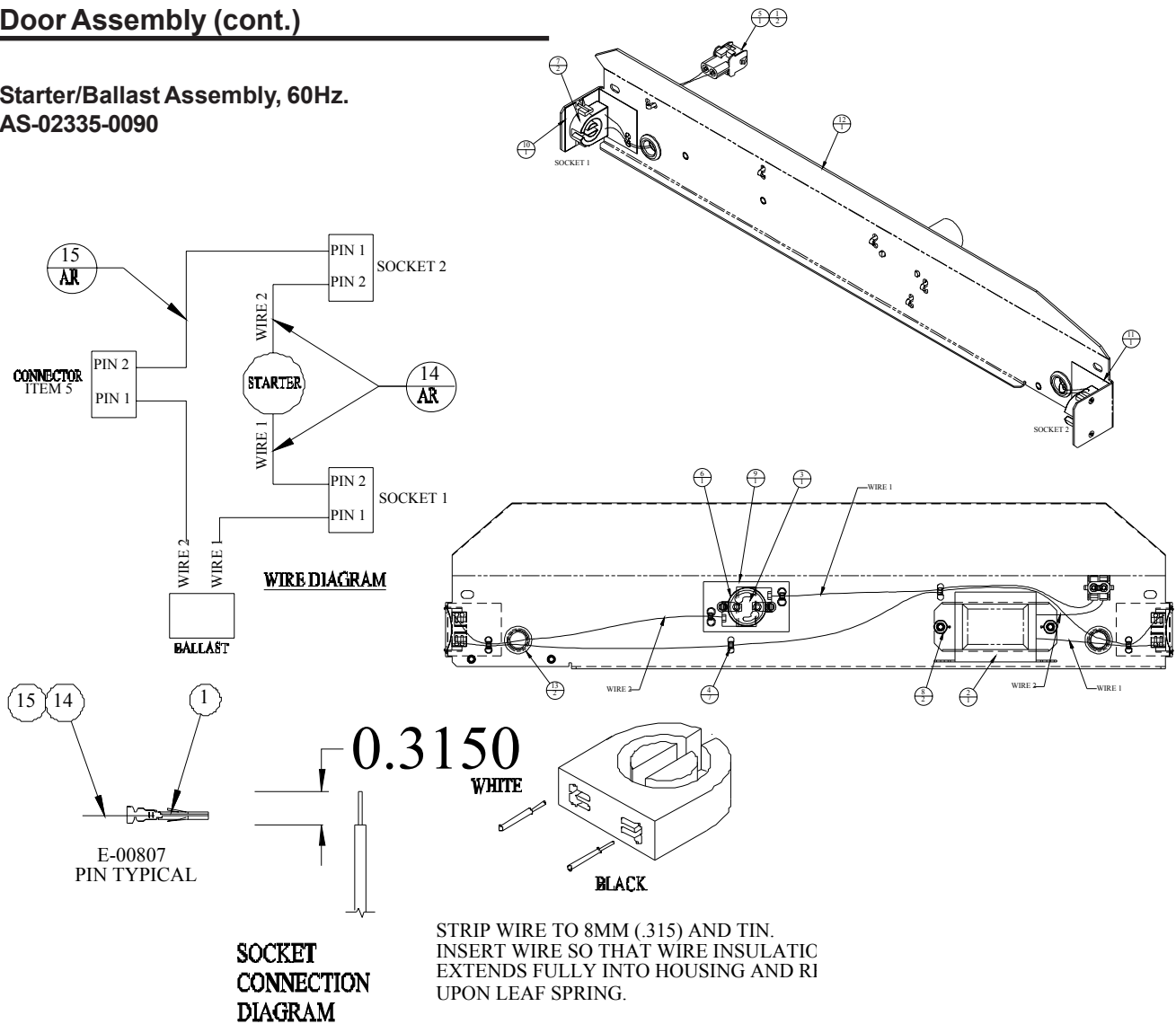
PART NUMBER LEGEND	
	A- 07234 - X X XX
DOOR WRAP FINISH: 0 = BRUSHED 1 = POLISHED	
DOOR STYLE: 1 = WITH SYSTEM 2 = WITHOUT SYSTEM	
00 THRU 99: OPTION 1: POWDER COATED ASSY PER DWG PC-SPEC-0001 TABLE "A"	
P1 THRU P5 OPTION 2: POLISHED AND PLATED ASSY PER DWG MET-SPEC-0002	

**Top Box Door Assembly (No System)
A-07234-02(Series)**



Door Assembly (cont.)

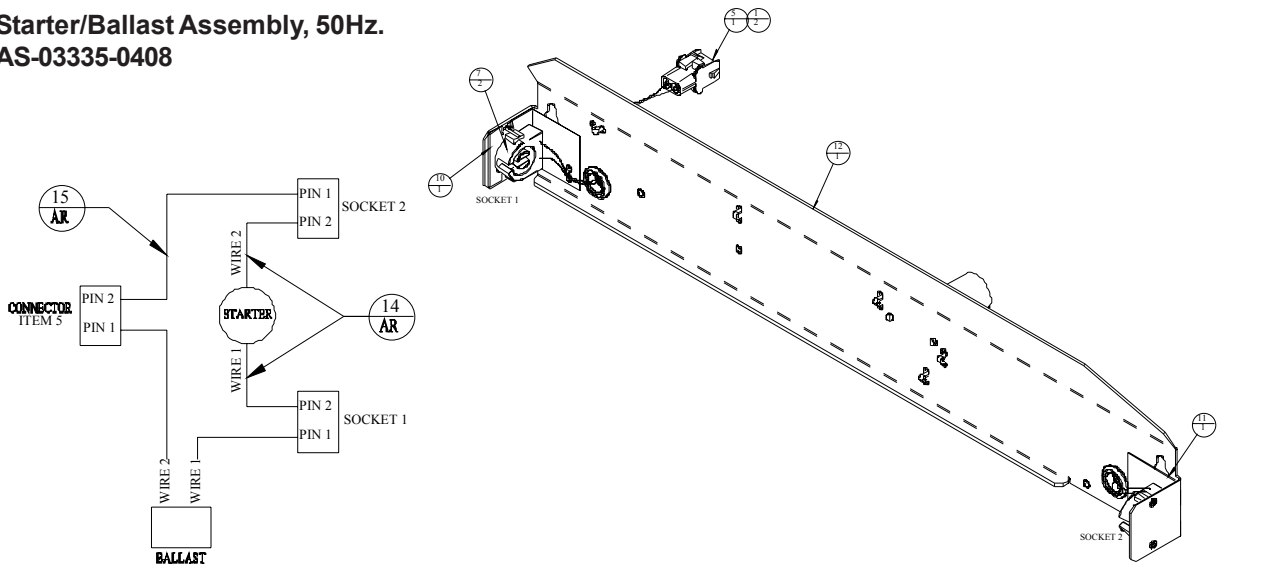
Starter/Ballast Assembly, 60Hz.
AS-02335-0090



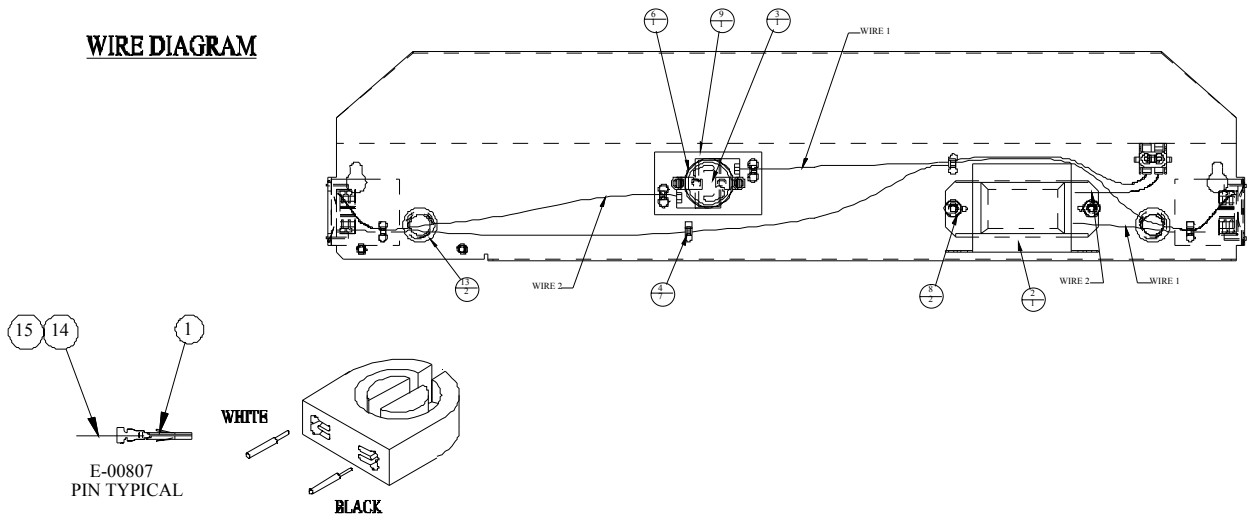
REF	P/N	DESCRIPTION	QTY
1	E-00807	SOCKET, AMP, 24-18	2
2	E-00409-0010	BALLAST, FOR F15T8 TUBE 60 HZ	1
3	E-00411-0008	STARTER, FLUORESCENT, FS-2	1
4	E-00647-0004	TIE WRAP	7
5	E-00804-0002	CONN HOUSING CAP	1
6	E-00120-0265	SOCKET, FLUORESCENT LAMP STARTER CE97	1
7	E-00120-0266	SOCKET, FLUORESCENT LAMP CE97	1
8	NLS-00632-1112	HEX NUT	2
9	P-00150-0292	INSULATOR, POLYCARBONATE CE97	1
10	P-00150-0290-1	INSULATOR, P/N P-00150-0290	1
11	P-00150-0290-2	INSULATOR, P/N P-00150-0290	1
12	P-09082-0010	REFLECTOR, LIGHT	1
13	R-00111-0008	GROMMET	2
14	WIP-ES203-1850	PVC, STRANDED 18 AWG, WHITE TYPE TEW	A/R
15	WIP-ES203-1880	PVC, STRANDED 18 AWG, BLACK TYPE TEW	A/R

Door Assembly (cont.)

**Starter/Ballast Assembly, 50Hz.
AS-03335-0408**



WIRE DIAGRAM



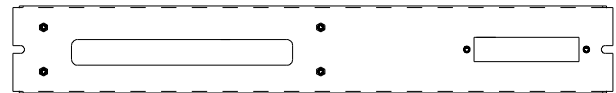
SOCKET CONNECTION DIAGRAM

REF	P/N	DESCRIPTION	QTY
1	E-00807	SOCKET, AMP, 24-18	2
2	E-00409-0025	BALLAST, FOR F15T8 TUBE 50 HZ	1
3	E-00411-0010	STARTER, FLUORESCENT, FS-2	1
4	E-00647-0004	TIE WRAP	7
5	E-00804-0002	CONN HOUSING CAP	1
6	E-00120-0265	SOCKET, FLUORESCENT LAMP STARTER CE97	1
7	E-00120-0266	SOCKET, FLUORESCENT LAMP CE97	1
8	NLS-00632-1112	HEX NUT	2
9	P-00150-0292	INSULATOR, POLYCARBONATE CE97	1
10	P-00150-0290-1	INSULATOR, P/N P-00150-0290	1
11	P-00150-0290-2	INSULATOR, P/N P-00150-0290	1
12	P-09082-0010	REFLECTOR, LIGHT	1
13	R-00111-0008	GROMMET	2
14	WIP-ES203-1850	PVC, STRANDED 18 AWG, WHITE TYPE TEW	A/R
15	WIP-ES203-1880	PVC, STRANDED 18 AWG, BLACK TYPE TEW	A/R

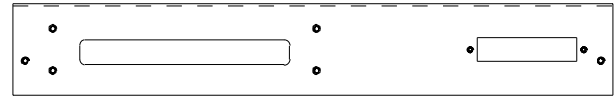
System Panels

P-08600-(Series)

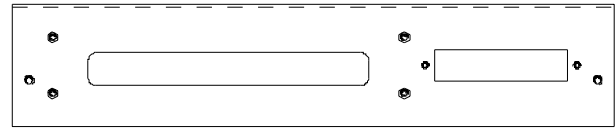
Part #	Description
P-08600-V708	AGI, Magnetic Reader
P-08600-FF14	AGI, Magnetic Reader
P-08600-V730	AGI, Magnetic Reader with Printer
P-08600-V714	AGI, Optical Reader
P-08600-FF13	AGI, Optical Reader
P-08600-V729	AGI, Optical Reader with Printer
P-08600-FF18	AG/IGS, Keypad
P-08600-V731	AG/IGS, Keypad with Printer
P-08600-V711	AG/IGS, Magnetic Reader, Display, with Button
P-08600-FF09	AG/IGS, Magnetic Reader, Display, with Button
P-08600-V728	AG/IGS, Magnetic Reader, Display, with Button, Printer
P-08600-FF19	AG/IGS, Magnetic Reader, Display, Button, and Keypad
P-08600-V723	AG/IGS, Magnetic Reader, Display, Button, and Keypad
P-08600-V720	ARISTOCRAT
P-08600-FF07	BLANK
P-08600-R710	BLANK, with Printer
P-08600-V705	CDS OSII Magnetic or Optical Reader, Small Display
P-08600-V713	CDS OSII Magnetic or Optical Reader, Large Display
P-08600-FF04	CDS OSII Magnetic Reader
P-08600-V738	CDS OSII Magnetic Reader with Printer
P-08600-FF03	CDS SENII Magnetic Reader
P-08600-V733	CDS, SENII, Magnetic Reader with Printer
P-08600-FF02	EDT PT-M400
P-08600-V710	EDT PT-M400, Magnetic or Optical Reader
P-08600-V739	EDT PT-M400 with Printer
P-08600-V802	EDT Reader with Display, Internal
P-08600-FF11	EDT/IGS Reader, Display, Keypad, with Button
P-08600-V716	EDT/IGS, Reader, Display, Button, Keypad
P-08600-V801	EPI Reader, Display, Keypad, Internal
P-08600-V719	GRIPS, Mounting
P-08600-V735	GRIPS, with Printer
P-08600-FF17	GRIPS-OLD
P-08600-V707	GSI Reader
P-08600-FF05	GSI Reader
P-08600-V734	GSI Reader with Printer
P-08600-V706	MIKOHN Reader, Display, and Keypad
P-08600-FF10	MIKOHN Reader, Display, and Keypad
P-08600-V732	MIKOHN Reader, Display, and Keypad with Printer
P-06904-1001	NO SYSTEM
P-08600-FF12	SANDS Reader, Display, Keypad
P-08600-V712	SANDS SMS, Black
P-08600-V7P7	SANDS SMS, Gold
P-08600-V736	SANDS Reader, Display, Keypad, Black
P-08600-V737	SANDS Reader, Display, Keypad, Black, with Printer
P-08600-V726	SDS Component with Printer
P-08600-FF16	SDS Component
P-08600-V704	SDS DMK Display, Reader, and Keypad
P-08600-FF01	SDS DMK with Keypad
P-08600-V727	SDS DMK, Display, Reader, and keypad with Printer
P-08600-V724	SDS DMK, Keypad, with Printer
P-08600-R804	SDS EPI, Round Top
P-08600-FF06	SDS EPI Reader, Display, and Keypad
P-08600-V725	SDS EPI Reader, Display, and Keypad with Printer
P-08600-FF15	USI Reader



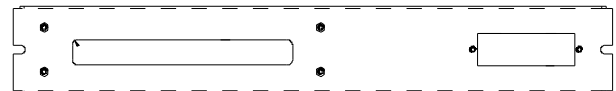
P-08600-V708



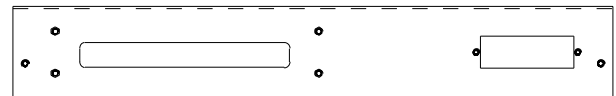
P-08600-FF14



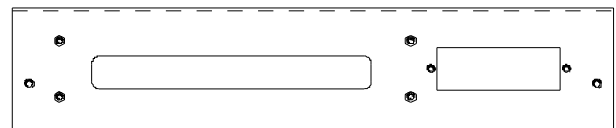
P-08600-V730



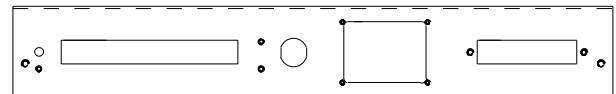
P-08600-V714



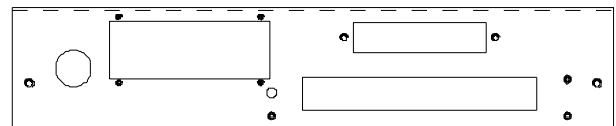
P-08600-FF13



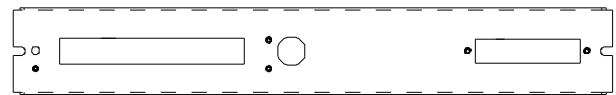
P-08600-V729



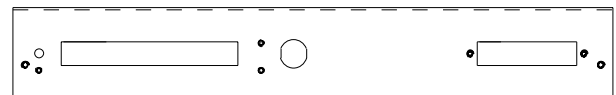
P-08600-FF18



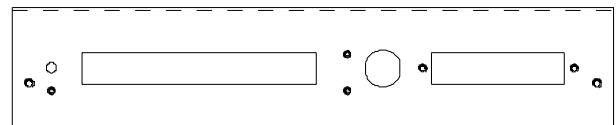
P-08600-V731



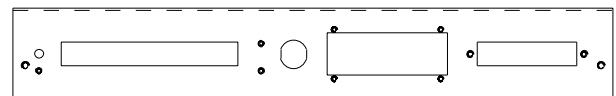
P-08600-V711



P-08600-FF09

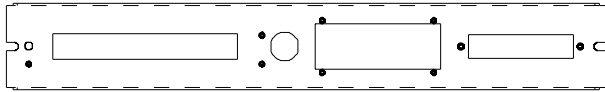


P-08600-V728

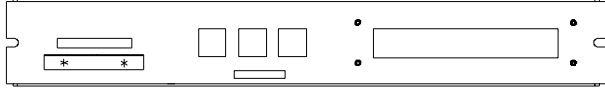


P-08600-FF19

System Panels (cont.)



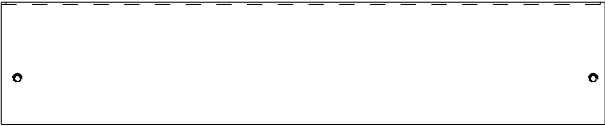
P-08600-V723



P-08600-V720



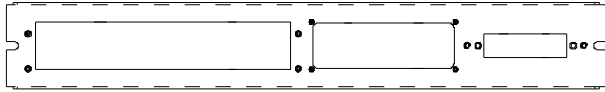
P-08600-FF07



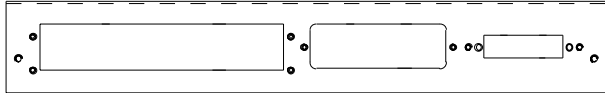
P-08600-R710



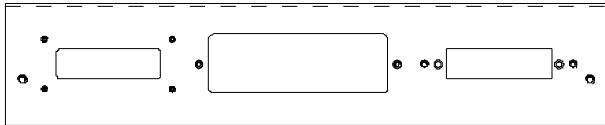
P-08600-V705



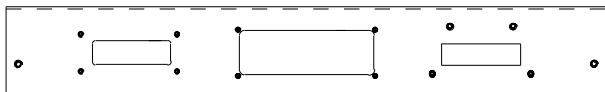
P-08600-V713



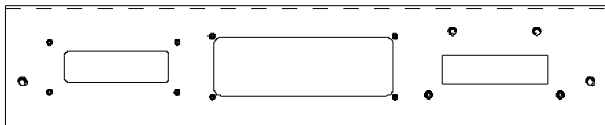
P-08600-FF04



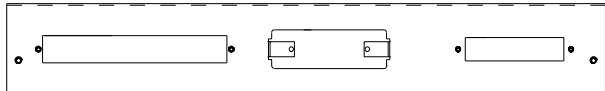
P-08600-V738



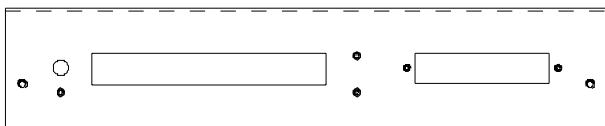
P-08600-FF03



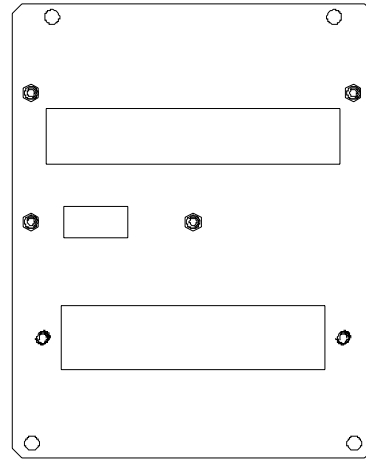
P-08600-V733



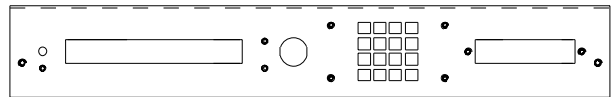
P-08600-FF10



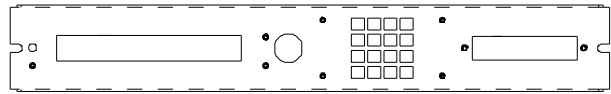
P-08600-V739



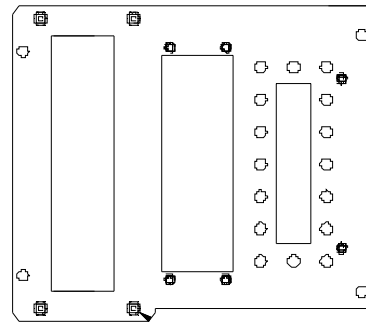
P-08600-V802



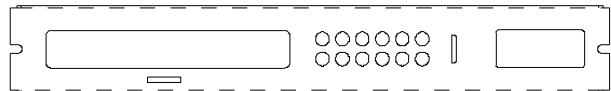
P-08600-FF11



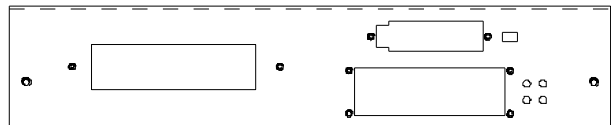
P-08600-V716



P-08600-V801



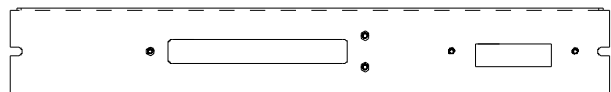
P-08600-V719



P-08600-V735

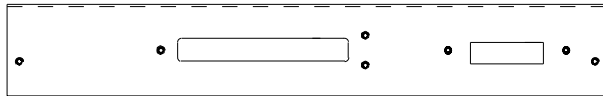


P-08600-FF17

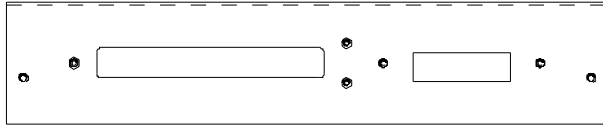


P-08600-V707

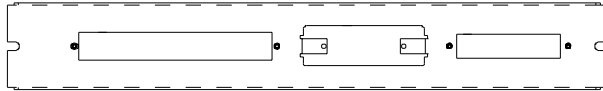
System Panels (cont.)



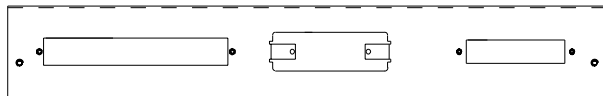
P-08600-FF05



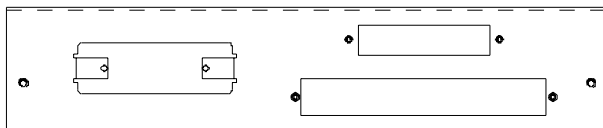
P-08600-V734



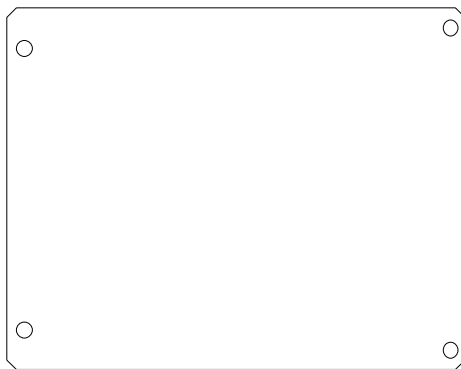
P-08600-V706



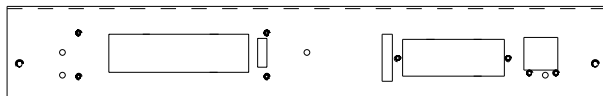
P-08600-FF10



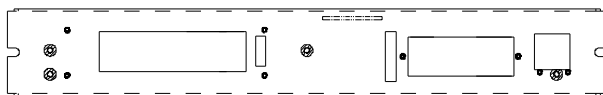
P-08600-V732



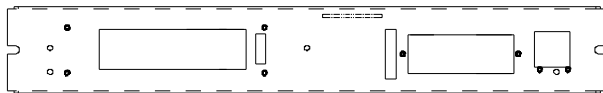
P-06904-1001



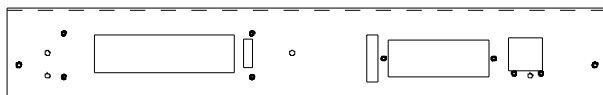
P-08600-FF12



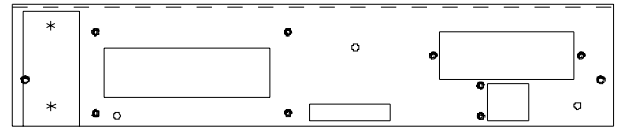
P-08600-V712



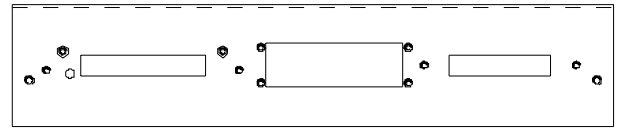
P-08600-V7P7



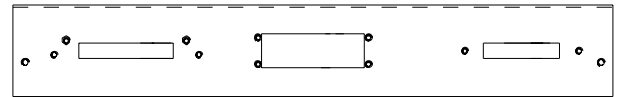
P-08600-V736



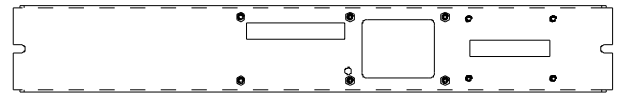
P-08600-V737



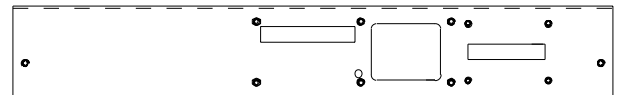
P-08600-V726



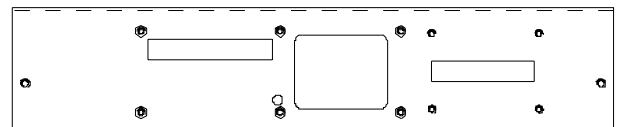
P-08600-FF16



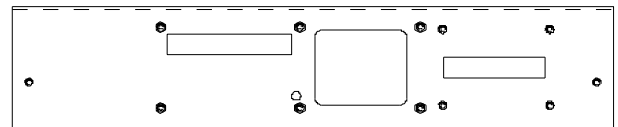
P-08600-V704



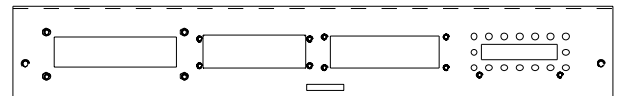
P-08600-FF01



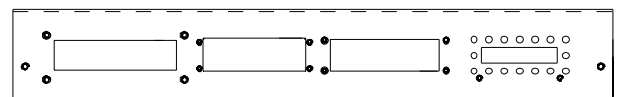
P-08600-V727



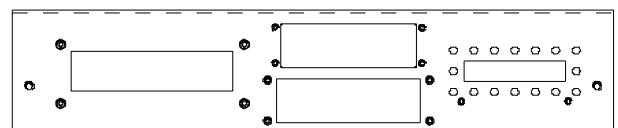
P-08600-V724



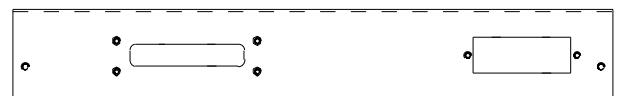
P-08600-R804



P-08600-FF06



P-08600-V725



P-08600-FF15

Part Number Structure

Parts used in Bally Gaming, Inc. equipment are identified by a stamped part number, or part numbers physically attached to the item. The numbers are usually 15 characters, including the dashes in the pattern:

1 2 3 4 - 1 2 3 4 5 - 1 2 3 4

The following part number prefixes serve to classify the parts:

Prefix	Description
A	Parts assembled by staking, riveting, or welding
AS	Parts assembled without machining operations
C	Castings, forging, extrusions, molded parts, coils
CA	Cabinet and wood parts
CBL	Cables
E	Electrical component
G	Raw and screened glass parts
K	Kits
M	Miscellaneous
N	Nut
P	Fabricated parts
R	Rubber parts
S	Screw machine parts
SP	Springs
WIP	Wire

Fasteners follow the following convention:

PP D H - SSS TT - M F LL

PP

PP	Fastener Description	PP	Fastener Description
AB	Sheet Metal Type AB	PT	CamCar "Fastite" Thread
CB	Carriage Bolt	RL	Rolox Screw
CP	Set Srew Cup Point	SA	Sheet Metal Type A
CS	Cap Screw	SB	Sheet Metal Type B
DS	Drill Screw	SF	Swage Form
FP	Set Screw Flat Point	SL	Sheet Metal Type L
HL	HiLo Thread for Plastic	SM	Seemplex Thread Form
KP	Set Screw Knurled	SW	Machine Screw Type 23
LS	Machine Screw With Lock Washer	SX	Square Flo
LT	Machine Screw With Internal Lock Washer	SY	Machine Screw Type 25
MF	Machine Screw Type F	SZ	Sheet Metal Type Z
MS	Machine Screw	TC	Thread Form Type C
NG	"Nyloc" Machine Screw	TF	Thread Form RL, TT, SF, C
NL	Machine Screw With External Lock Washer	TT	"CamCar Taptite" Thread
NM	Machine Screw With Threaded Patch	WO	Set Screw W Point
NS	Nylok Machine Screw	WS	Wood Screw
PC	Set Screw Cone Point		

D

D	Drive
O	None
A	Allen
B	Button
P	Phillips
S	Slotted
H	Holt

H

H	Head	H	Head	H	Head
A	Washer Head Round	H	Hex Head	P	Pan Head
B	Binding Head	J	Washer Reversed Serrated Hex	R	Round Head
C	Washer Head Hex			S	Washer Serrated Hex
D	Hex Head Indented	K	Flat Head, 100°	T	Truss Head
E	Knurled Head Cap	L	Fillster Head	U	Binding Head Undercut
F	Flat Head	N	Hex Head, Pin-In-Socket	X	Undercut Flat Head
G	Flat Head (Metric)	O	None	Z	Oval Head

SSS

SSS	Size	SSS	Size	SSS	Size
002	2	010	10	500	1/2
003	3	012	12	M02	2mm
004	4	250	1/4	M03	3mm
005	5	312	5/16	M04	4mm
006	6	375	3/8	M25	2.5mm
008	8	437	7/16		

TT

TT	Threads Per Unit	TT	Threads Per Unit	TT	Threads Per Unit
00	0-WS	24	24 TPI	48	48 TPI
13	13 TPI	28	28 TPI	50	.5 mm
14	14 TPI	32	32 TPI	56	56 TPI
16	16 TPI	36	36 TPI	70	.7 mm
18	18 TPI	40	40 TPI		
20	20 TPI	45	.45mm		

M

M	Material
1	Steel
2	Brass
3	Stainless
4	Aluminum
5	Plastic
6	Nylon

F

F	Finish	F	Finish
0	None	5	Zinc, Waxed
1	Zinc	6	Nickel, Waxed
2	Zinc, Gold	7	Blued
3	Nickel	8	Black Oxide
4	Chromium	9	Black Oxide, Waxed

LL

LL	Length	LL	Length	LL	Length
02	1/8"	10	5/8"	20	1 1/4"
03	3/16"	11	11/16"	22	1 3/8"
04	1/4"	12	3/4"	24	1 1/2"
05	5/16"	13	13/16"	28	1 3/4"
06	3/8"	14	7/8"	32	2"
07	7/16"	15	15/16"	60	3 3/4"
08	1/2"	16	1"		
09	9/16"	18	1 1/8"		

Evo® Hybrid Model Number

Bally Gaming Machines have an Identification Plate attached to the outside of the cabinet. Upright machines will have the plate in the lower left corner of the player's right-hand side.



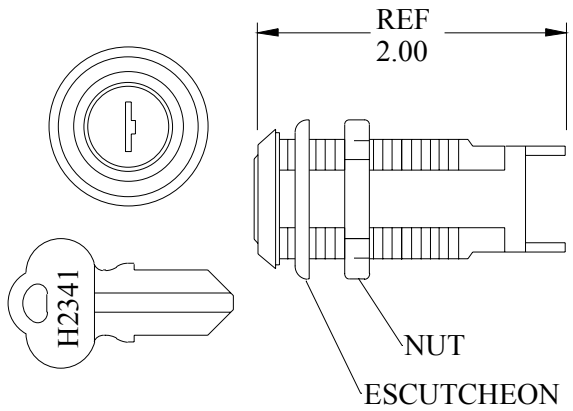
Identification Plate

The Model Number consists of nine digits with the following convention:

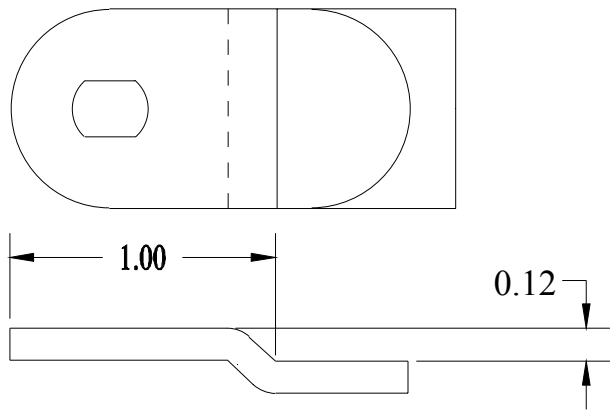
Digit	Selection	Reference	Description
1	S	Product	Video Product
2	6	Software Win Map	Coincidental
3,4	2B 2M 3B 3L 3M 4U 5L	Game	2 Coin Buy 2 Coin Multiplier 3 Coin Buy 3 Pay Lines 3 Coin Multiplier Multiplier With Buy 5 Pay Lines
5	3 4 5	Reels	3 Reels 4 Reels 5 Reels
6,7	HP HN HV	Cabinet	With System Box No Top Box Oval Top
8	A F S P N Q R D G	Accessories	No Acceptor/Progressive Bill Acceptor Smart Card Bill Acceptor/Progressive No Acceptor/No Progressive Bill Acceptor/Seiko Printer/Hopper Bill Acceptor/Seiko Printer/Hopper/Progressive Bill Acceptor/Seiko Printer/No Hopper/No Coins Bill Acceptor/Seiko Printer/No Hopper/No Coins/Progressive
9	0 4	Metal Finish	Chrome Polished Gold

Appendix A

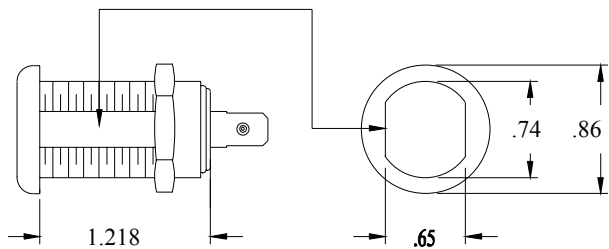
Lock Cams



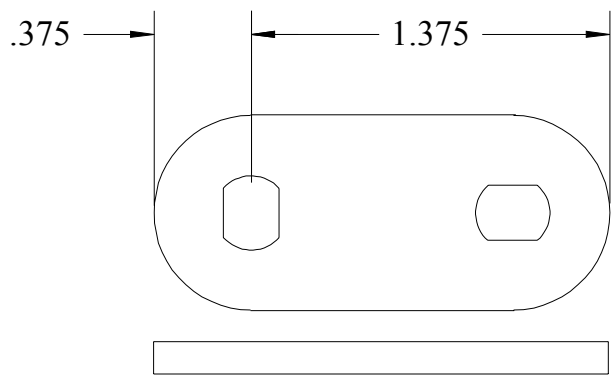
M-00281-0171



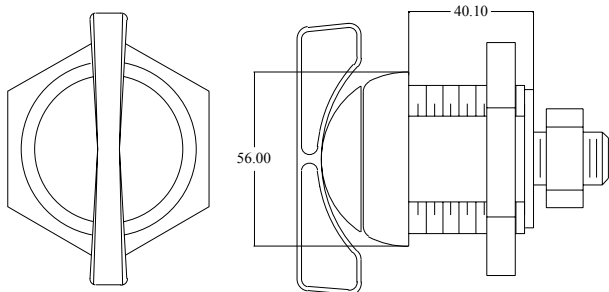
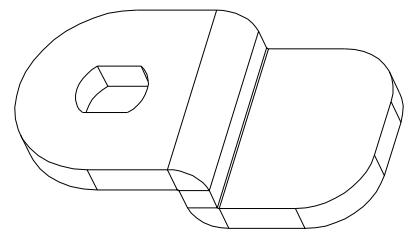
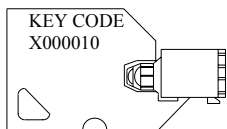
P-00758-0093



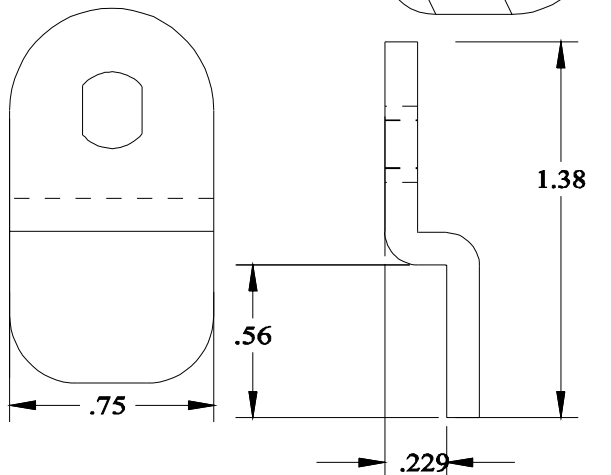
M-00281-0172



P-00758-0094



M-00281-0184



P-00758-0151

Appendix A (cont.)

Lock Cams (cont.)

