

A
SWITCHED FUSED
POWER OUTLET

1	GN/YE
2	WT/BL
3	BK/BL

B
POWER OUTLET

1	GN/YE*
2	WT/BL*
3	BK/BL*

C
POWER OUTLET

1	GN/YE*
2	WT/BL*
3	BK/BL*

D
POWER OUTLET

1	GN/YE
2	WT/BL
3	BK/BL

RUN LIST

SEQ	COLOR	FROM	TO	LENGTH	AWG	WRAP
1	BK/BL	A-3	B-3*	3.00"	18	SPIRAL
2	BK/BL	B-3*	C-3*	7.00"	18	SPIRAL
3	BK/BL	C-3*	D-3	5.00"	18	SPIRAL
4	WT/BL	A-2	B-2*	3.00"	18	SPIRAL
5	WT/BL	B-2*	C-2*	7.00"	18	SPIRAL
6	WT/BL	C-2*	D-2	5.00"	18	SPIRAL
7	GN/YE	A-1	B-1*	3.00"	18	
8	GN/YE	B-1*	C-1*	7.00"	18	
9	GN/YE	C-1*	D-1	5.00"	18	

MATERIAL LIST

1	E-00808-0003	CONNECTOR, HOUSING PLUG, 3 CIRCUIT	1
2	E-00804-0003	CONNECTOR, HOUSING CAP, 3 CIRCUIT	3
3	E-00807-0006	CONTACT, AMP PIN, 24-18 AWG	3
4	E-00807-0000	CONTACT, AMP SOCKET, 24-18 AWG	3
5	E-00807-0002	CONTACT, AMP SOCKET, 20-14 AWG	6
6	M-1777-5600/06	SPIRAL WRAP	-
7	E-00647-0020	MARKER TIE	1
8	E-00647-0004	CABLE TIE, 3/32W X 3 7/8LG	-

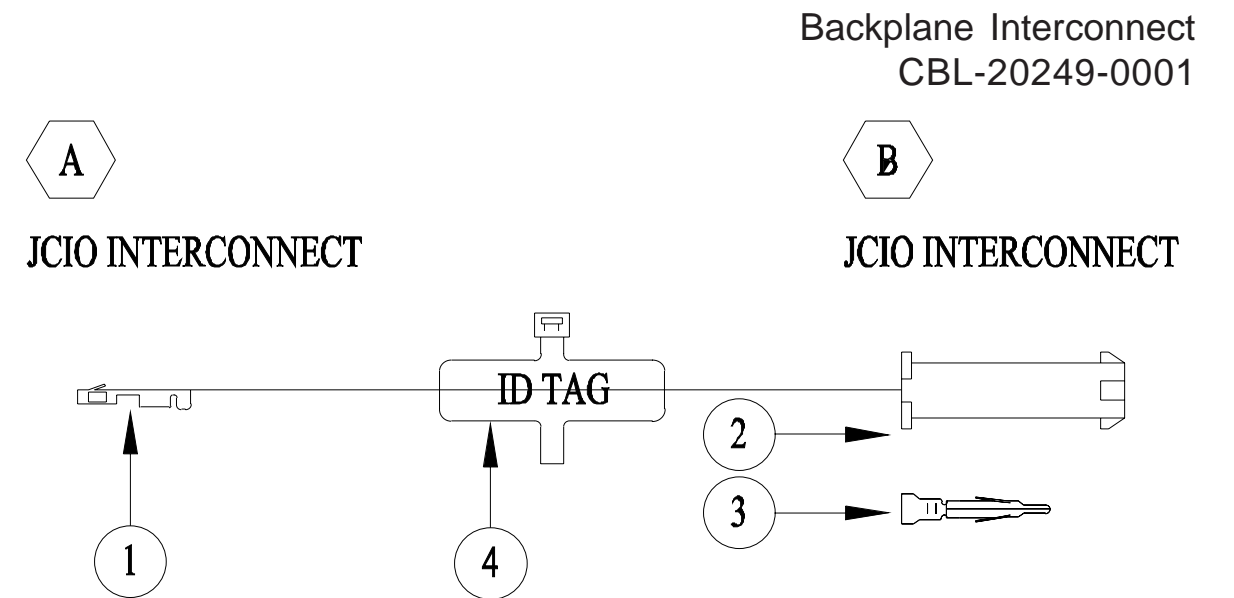
CABLE, AUXILLARY A/C ADAPTOR
3 WAY

CBL-30532-0001

REF.	PART NUMBER	DESCRIPTION	QTY.
1	E-00671-0003	TERMINAL, STANDARD PRESSURE	1
2	E-00765-0201	CONNECTOR, RECEPT, MINI MATE-N-LOCK, 1 CIRCUIT	1
3	E-00765-0200	TERMINAL, PIN, MINI MATE-N-LOCK, 22-18 AWG	1
4	E-00647-0020	MARKER TIE, ID TAG	1
5	E-00647-0004	CABLE TIE, 3/32" X 3 7/8"	-

SEQ.	COLOR	FROM	TO	LENGTH	AWG
1	OR	A-1	B-1	3.00"	22

**CABLE, BACKPLANE INTERCONNECT
ADAPTER**
CBL-20249-0001



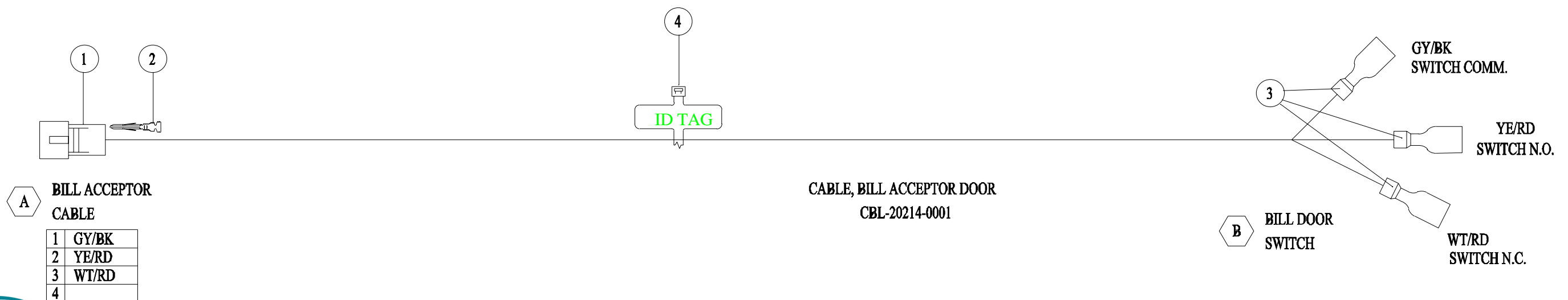
MATERIALS LIST

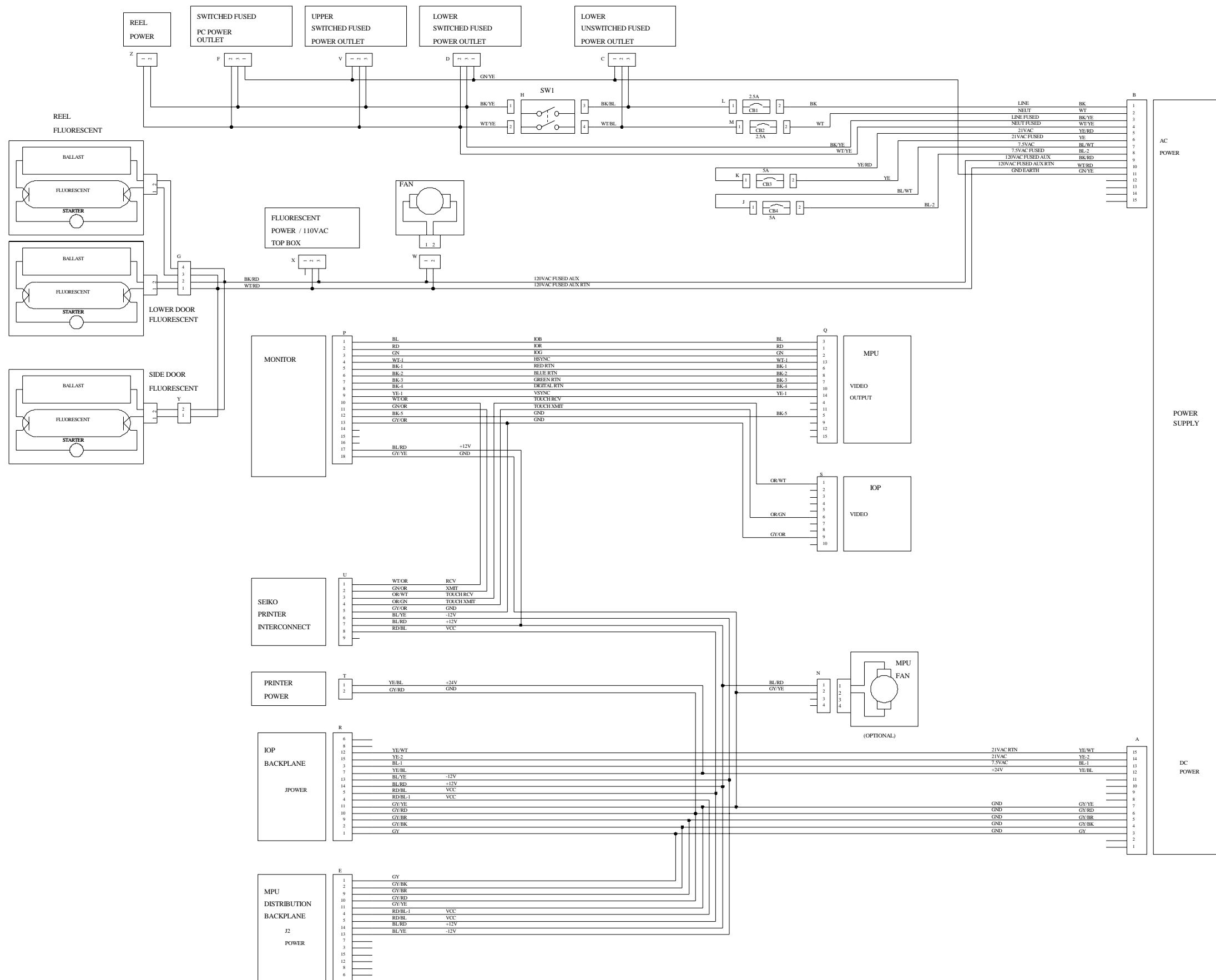
REF.	PART NUMBER	DESCRIPTION	QTY.
1	E-00810-0005	PLUG, MOLEX, .062, 4 CIRCUIT	1
2	E-00810-0023	TERMINAL, PIN, .062, 18-24 AWG.	3
3	P-00405-0136	TERMINAL, FASTON, .187, 22-18 AWG.	3
4	E-00647-0020	CABLE TIE, ID TAG	1

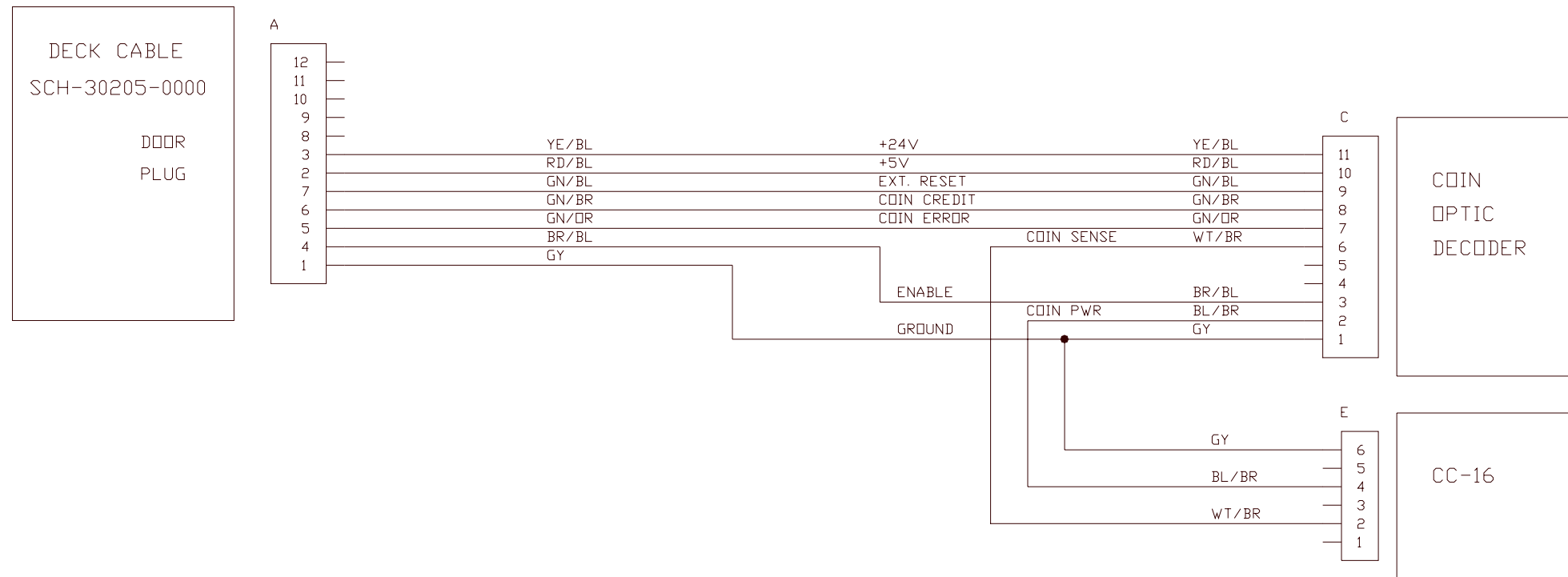
WIRE RUNNING LIST

SEQ.	COLOR	FROM	TO	LENGTH	AWG	WRAP
1	GY/BK	A-1	B	14.50	22	---
2	YE/RD	A-2	B	15.00	22	---
3	WT/RD	A-3	B	15.00	22	---

Bill Acceptor Door
CBL-20214-0001





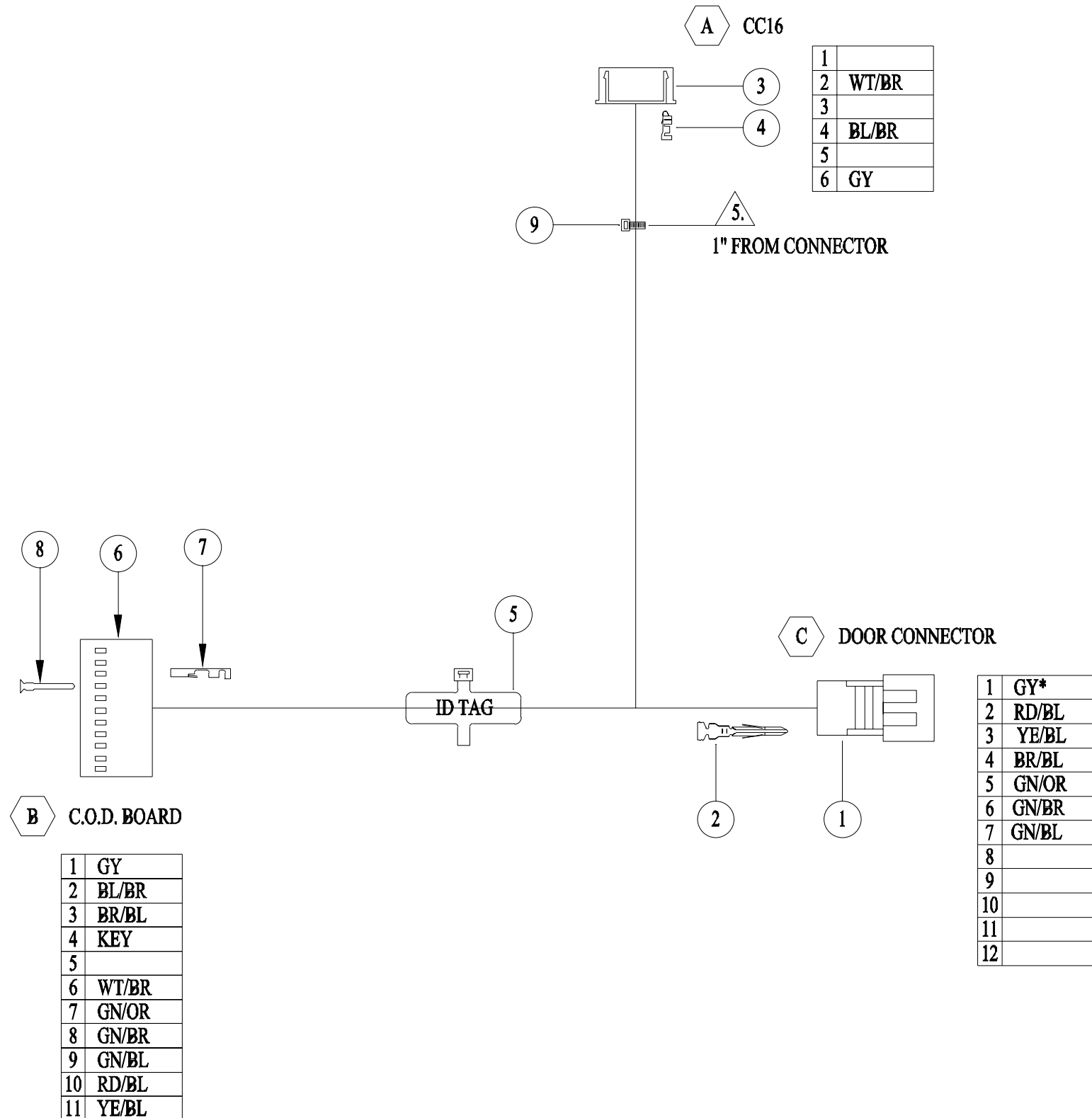


MATERIALS LIST

REF.	PART NUMBER	DESCRIPTION	QTY.
1	E-00810-0009	CONNECTOR, .062", 12 CIRCUIT	1
2	E-00810-0023	PINS, MALE, .062", 24-18 AWG.	7
3	E-01081-0006	JST CONNECTOR HOUSING, XHP STYLE	1
4	E-01082-0000	JST CRIMP TERMINAL	3
5	E-00647-0020	MARKER TIE	1
6	E-01010-0011	MOD.IV HOUSING, SINGLE ROW, .100	1
7	E-00671	CONTACT, CRIMP, 26-22 AWG.	9
8	E-00774-0001	MOD IV KEYING PIN	1
9	E-00647-0004	4" WIRE TIES	-

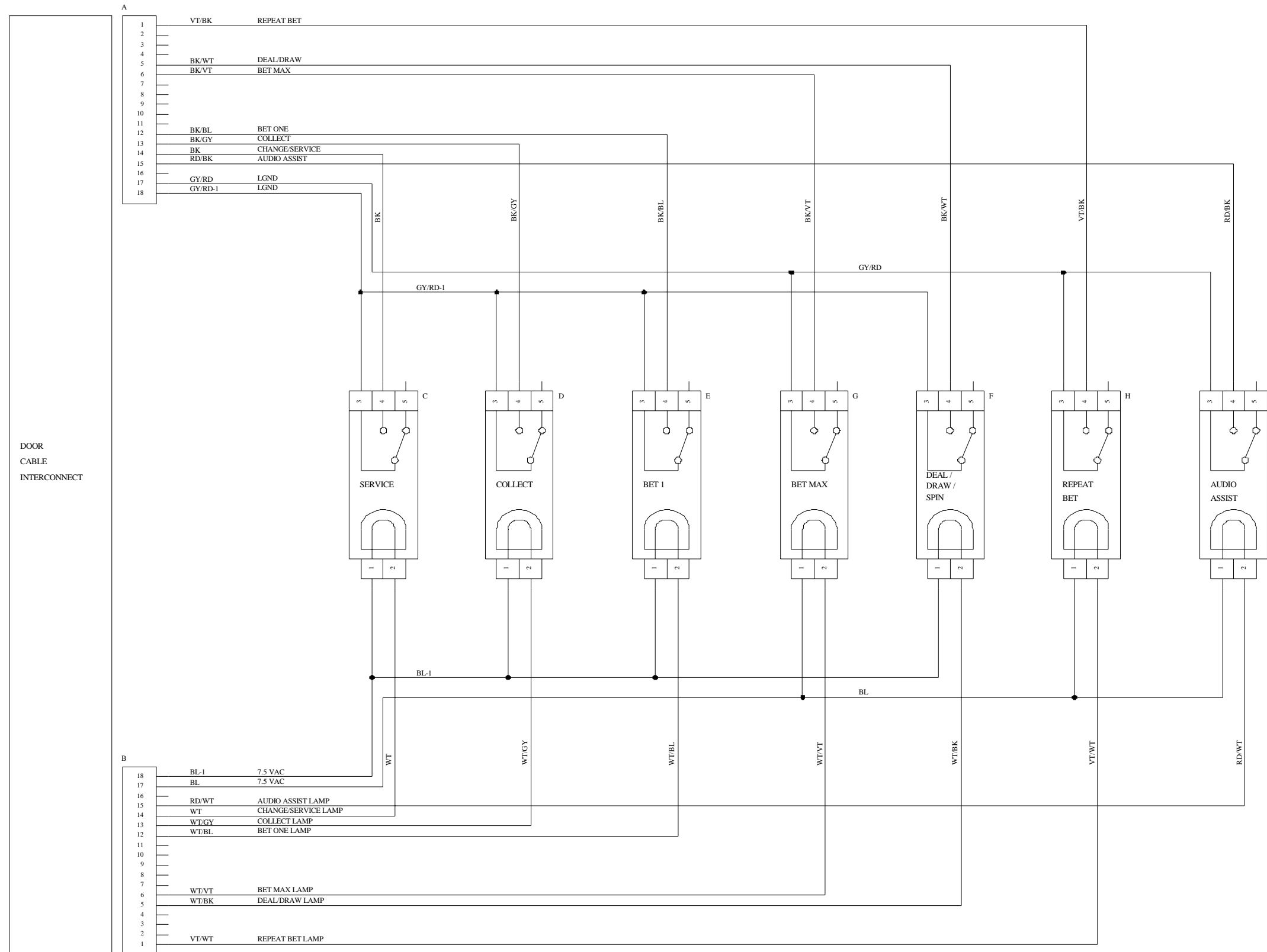
RUNNING LIST

SEQ.	COLOR	FROM	TO	LENGTH	AWG	WRAP
1	BL/BR	A-4	B-2	10.00"	22	NONE
2	BR/BL	C-4	B-3	6.50"	22	NONE
3	GN/BL	C-7	B-9	6.50"	22	NONE
4	GN/BR	C-6	B-8	6.50"	22	NONE
5	GN/OR	C-5	B-7	6.50"	22	NONE
6	GY	C-1*	B-1	6.50"	22	NONE
7	GY	C-1*	A-6	7.50"	22	NONE
8	RD/BL	C-2	B-10	6.50"	22	NONE
9	WT/BR	A-2	B-6	10.00"	22	NONE
10	YE/BL	C-3	B-11	6.50"	22	NONE



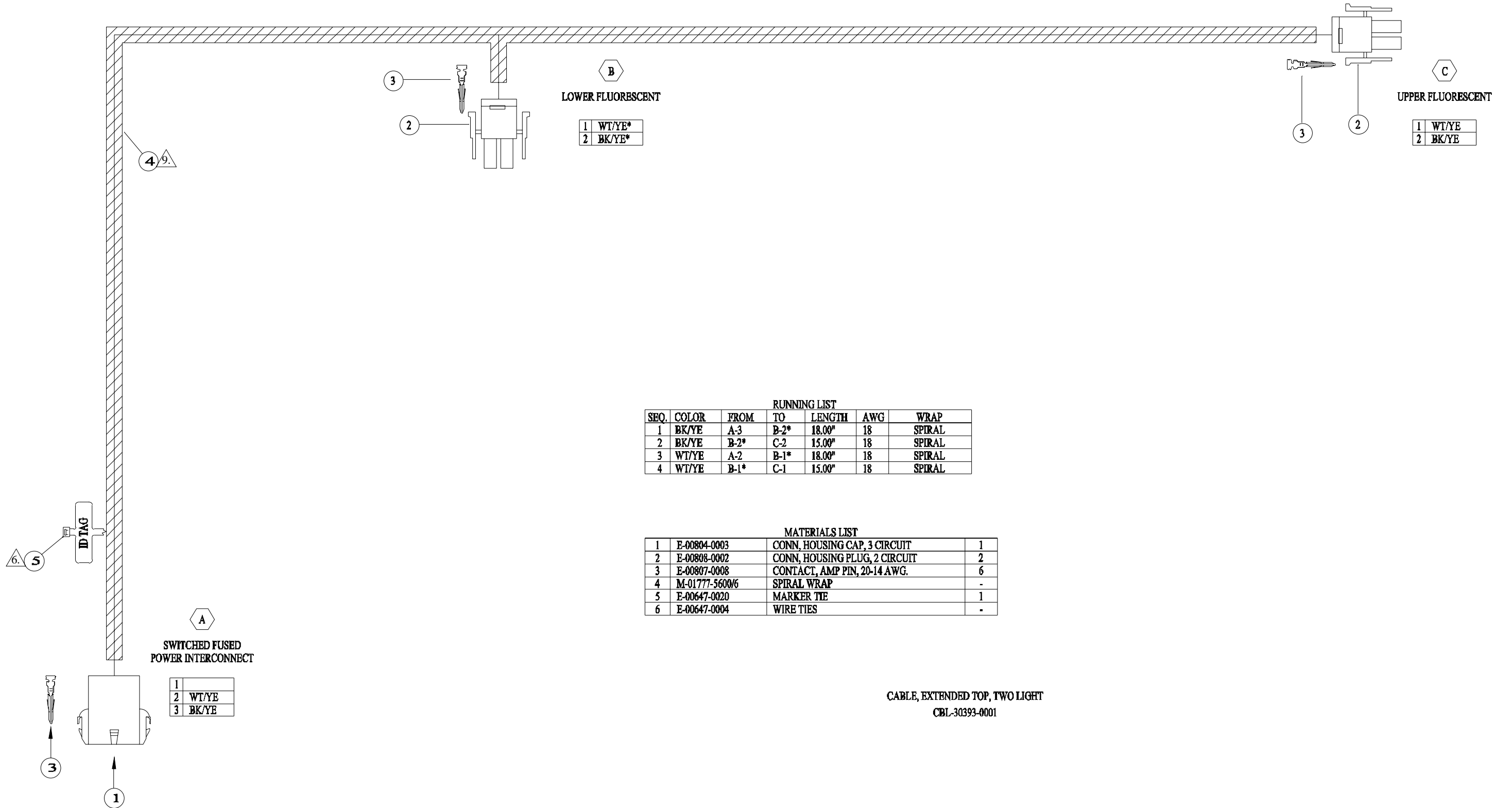
CABLE, COD/CONDOR
V8000

CBL-30229-0002





Extended Top, 2-Light
CBL-30393-0001

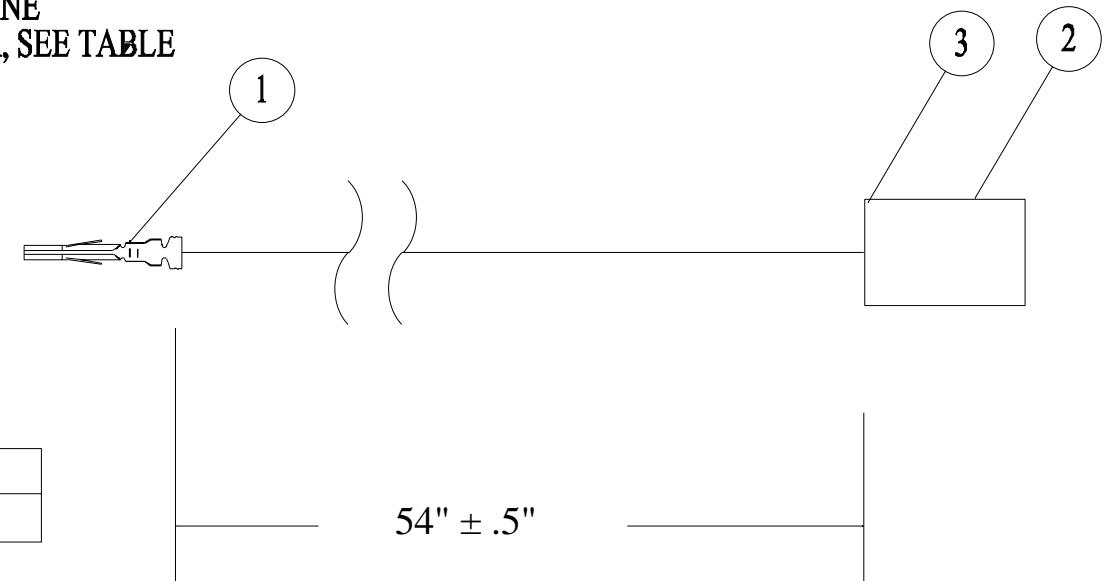


WIRE RUN LIST

SEQ.	COLOR	FROM	TO	LENGTH	AWG	WRAP
1	WT	A	B1	55.00"	22	---

A
BACKPLANE
CONNECTOR, SEE TABLE

B TOWER



ASSEMBLY INFORMATION (REF) :

BACKPLANE

S5500	J7 PIN 13
S6000	J3 PIN 6

MATERIAL LIST

REF.	PART NUMBER	DESCRIPTION	QTY.
1	E-01031	CONTACT, SOCKET	1
2	E-00660-0200	HOUSING, 2 CIR	1
3	E-00661-0001	CONTACT, PIN	1

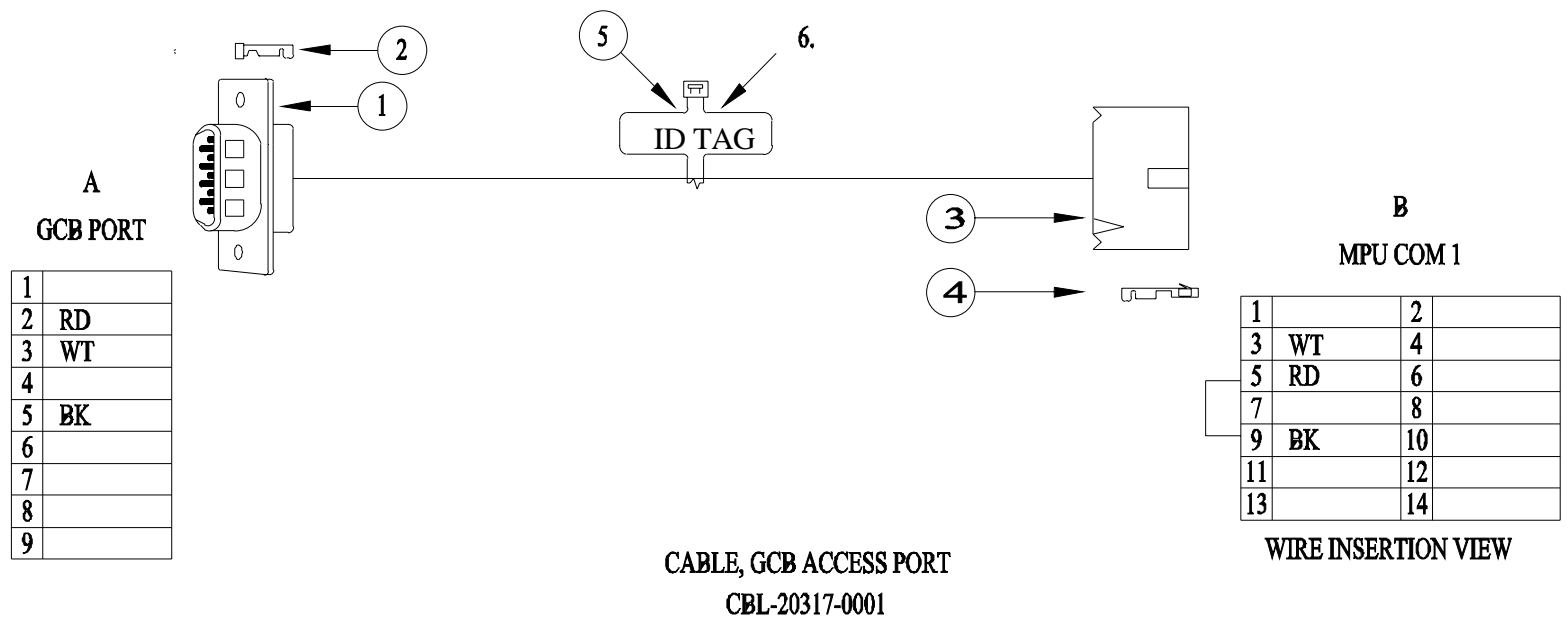
CABLE, TOWER, 4TH TIER
S6000 & S5500
CBL-20045-0001

WIRE RUNNING LIST

SEQ.	COLOR	FROM	TO	LENGTH	AWG	WRAP
1	BK	A-5	B-9	6.00"	22	
2	RD	A-2	B-5	6.00"	22	
3	WT	A-3	B-3	6.00"	22	

MATERIALS LIST

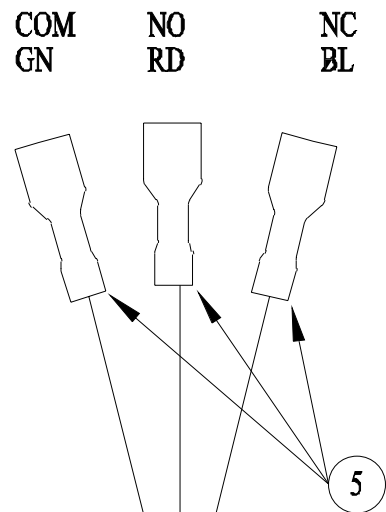
REF.	PART NUMBER	DESCRIPTION	QTY.
1	E-00910-0080	PLUG, AMP, HDP 20, 9 CIRCUIT, METAL SHELL, DB-9	1
2	E-00910-0034	CONTACT, CRIMP SNAP-IN, PIN, HDP 20	3
3	E-01011-0114	HOUSING, MOD IV, DUAL ROW, 14 CIR.	1
4	E-00671-0003	TERMINAL, STANDARD PRESSURE	14
5	E-00647-0020	MARKER TIE, ID TAG	1
6	E-00647-0004	CABLE TIES	-





B BILL BOX PRESENT

GPT Bill Acceptor
CBL-20187-0001

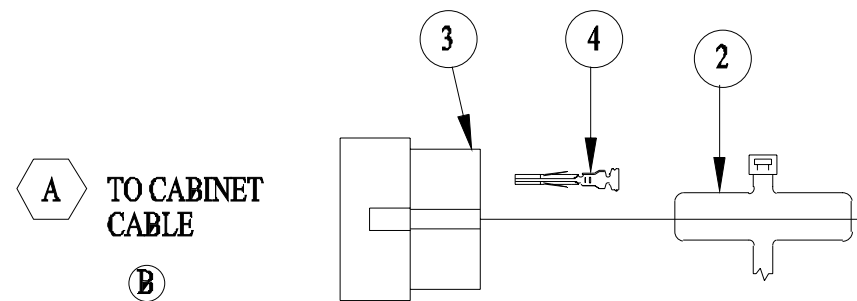


SEQ.	COLOR	FROM	TO	LENGTH	AWG	WRAP
1	BL	A-5	B	9.50	22	NONE
2	GN	A-2	B	9.50	22	NONE
3	GY	A-1	C	9.50	22	NONE
4	OR	A-6	C	9.50	22	NONE
5	RD	A-4	B	9.50	22	NONE
6	YE	A-3	C	9.50	22	NONE

REF.	PART NUMBER	DESCRIPTION	QTY.
1	E-00647-0004	CABLE, TIE 3/32W X 3-78LG	—
2	E-00647-0020	CABLE, TIE, MARKER, PART ID	1
3	E-00810-0007	CONN, PLUG 6PIN	1
4	E-00810-0025	CONTACT SOCKET, 24-18AWG	6
5	P-00405-0066	TERM.SPADE,.187,22-18AWG	6

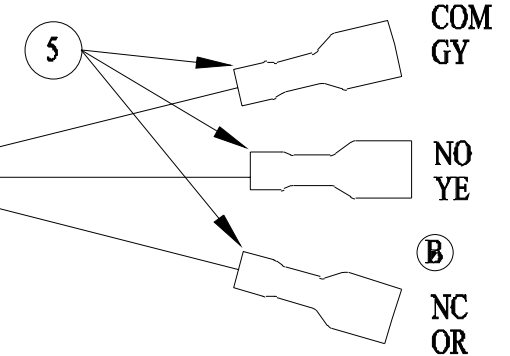
CABLE, BILL ACCEPTOR FBA

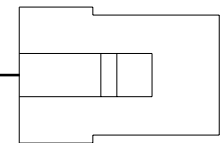
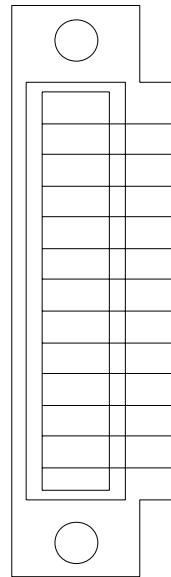
CBL-20187-0001



1	GY	4	RD
2	GN	5	BL
3	YE	6	OR

C BILL BOX DOOR



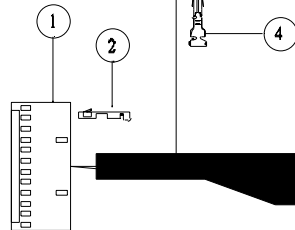


CABLE, CBV BILL
ACCEPTOR
CBL-20188-0001

GPT Bill Acceptor
CBL-30528-0001

B SWITCHES

1	GY/BK*
2	GY/BK
3	YE/RD
4	GN/RD
5	
6	WT/RD

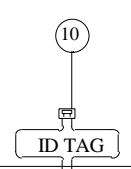


A GPT B/A

1		2	
3		4	
5		6	
7		8	
9		10	
11		12	
13	WT/GN	14	VT
15	BK	16	BL/BR
17	BL/OR	18	RD/WT
19	GN	20	YE/BK
21	BR	22	YE/BL
23	GY/GN	24	GY/YE

23	21	19	17	15	13	11	9	7	5	3	1
24	22	20	18	16	14	12	10	8	6	4	2

WIRE INSERTION VIEW



C SIGNAL CABLE INTERCONNECT

1	BL/OR	13	YE/BL
2	BL/BR	14	
3		15	
4	RD/WT	16	
5	BK	17	
6	YE/BK	18	GY/GN
7		19	
8	GN/RD	20	GY/YE
9	BR	21	WT/RD
10	YE/RD	22	
11	GN	23	
12		24	GY/BK

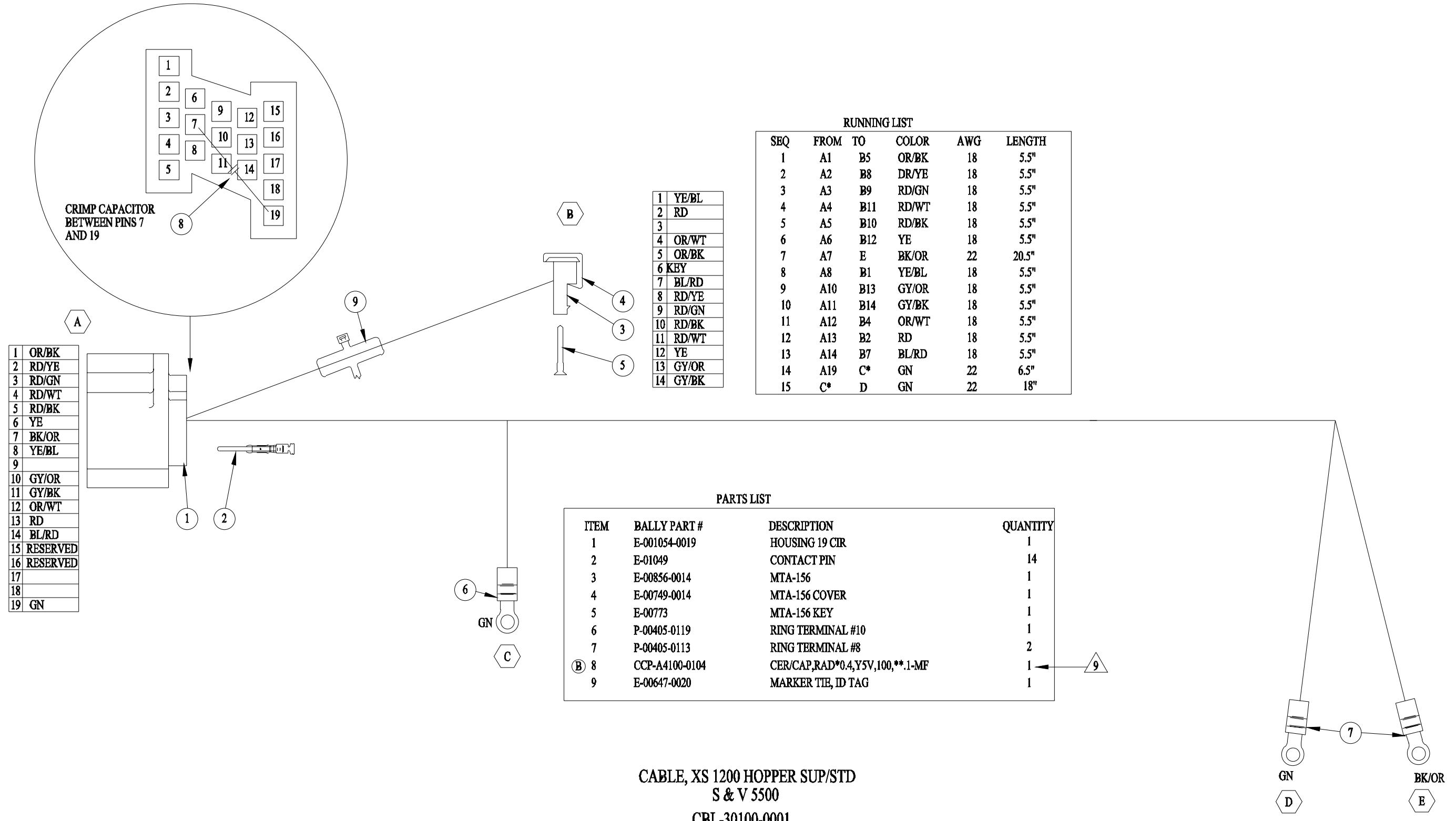
WIRE RUN LIST

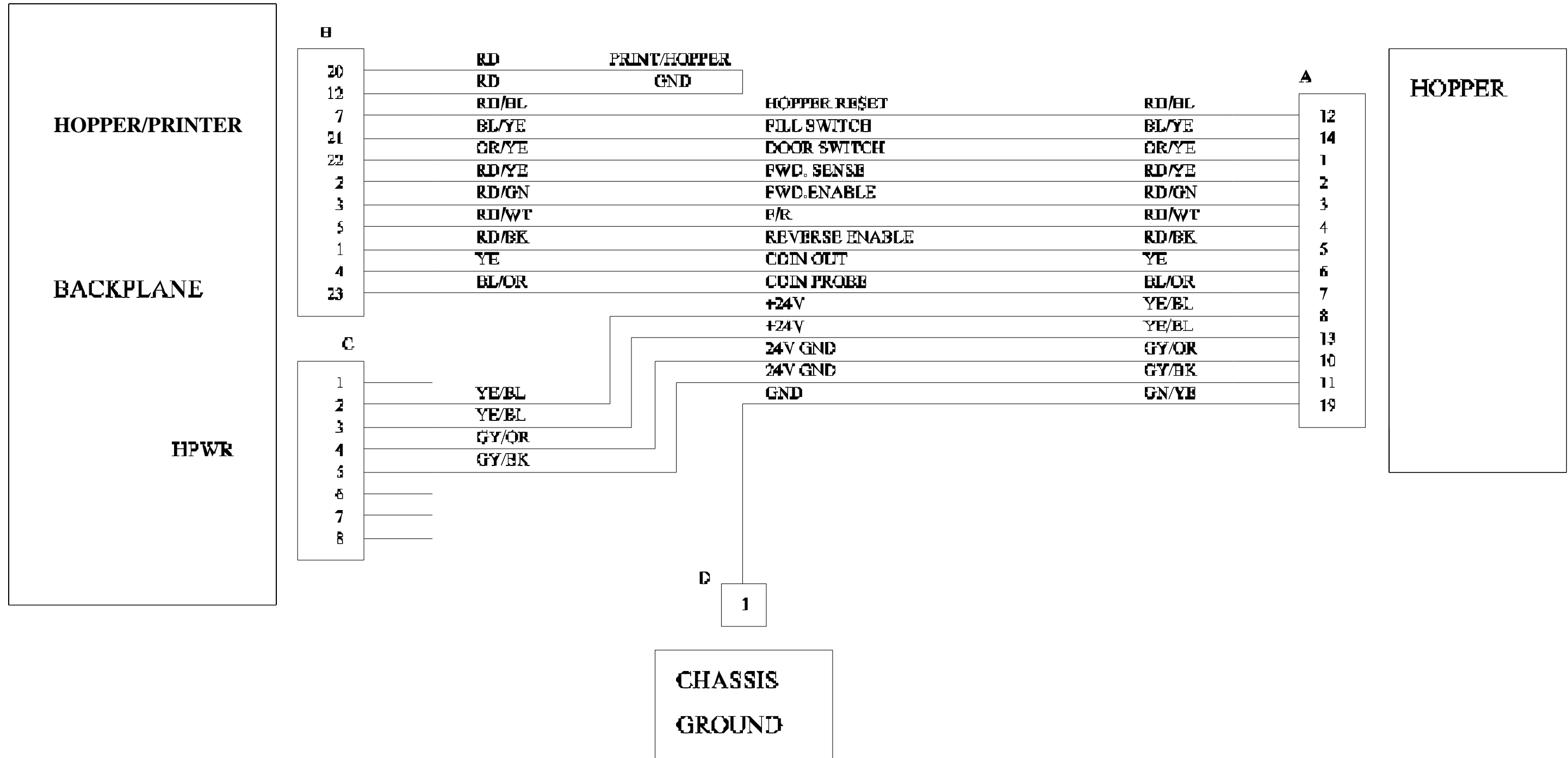
SEQ.	COLOR	FROM	TO	LENGTH	AWG	WRAP
1	BK	A-15	C-5	13.00"	22	
2	BR	A-21	C-9	13.00"	22	
3	RD/WT	A-18	C-4	13.00"	22	
4	YE/BK	A-20	C-6	13.00"	22	
5	YE/RD	B-3	C-10	14.00"	22	
6	YE/BL	A-22	C-13	13.00"	22	
7	GN	A-19	C-11	13.00"	22	
8	GN/RD	B-4	C-8	14.00"	22	
9	BL/BR	A-16	C-2	13.00"	22	
10	BL/OR	A-17	C-1	13.00"	22	
11	GY/BK	B-2	B-1*	3.00"	22	
12	GY/BK	B-1*	C-24	14.00"	22	
13	GY/YE	A-24	C-20	13.00"	22	
14	GY/GN	A-23	C-18	13.00"	22	
15	WT/RD	B-6	C-21	14.00"	22	

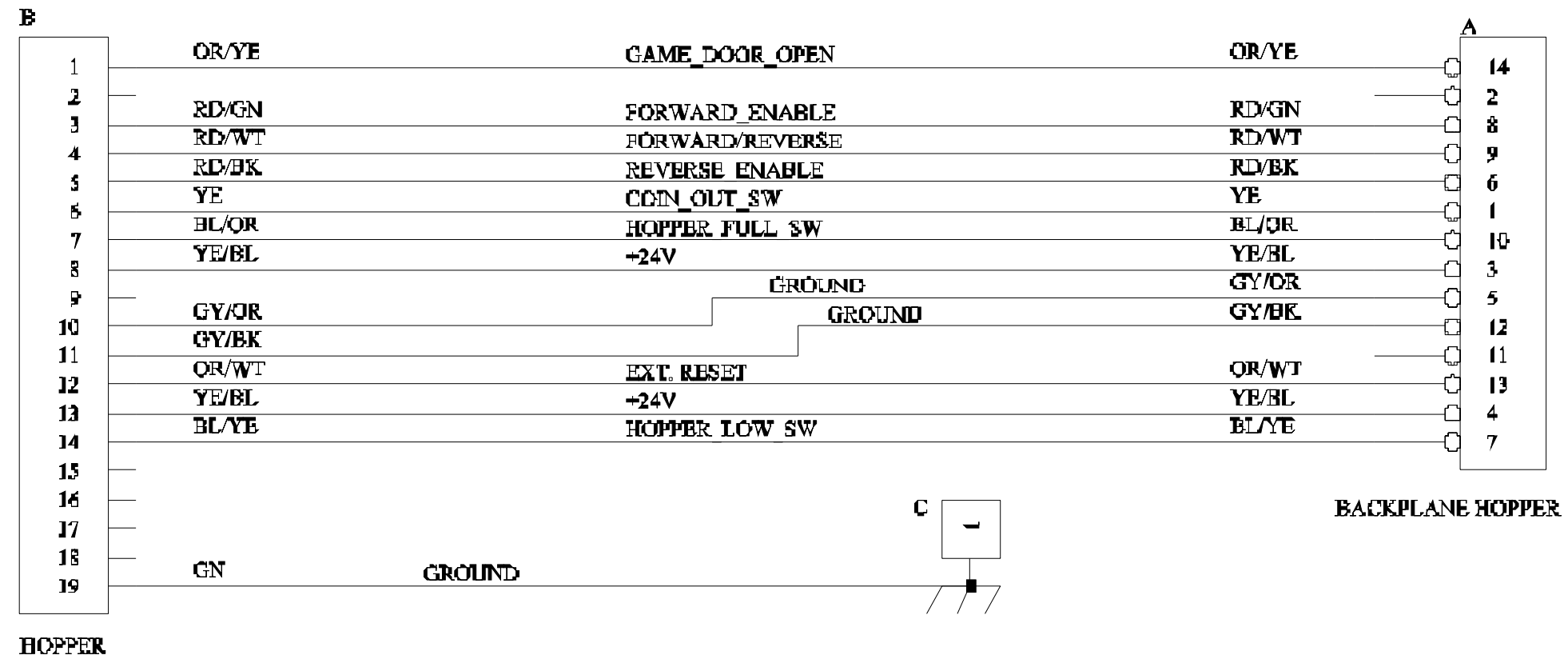
MATERIAL LIST

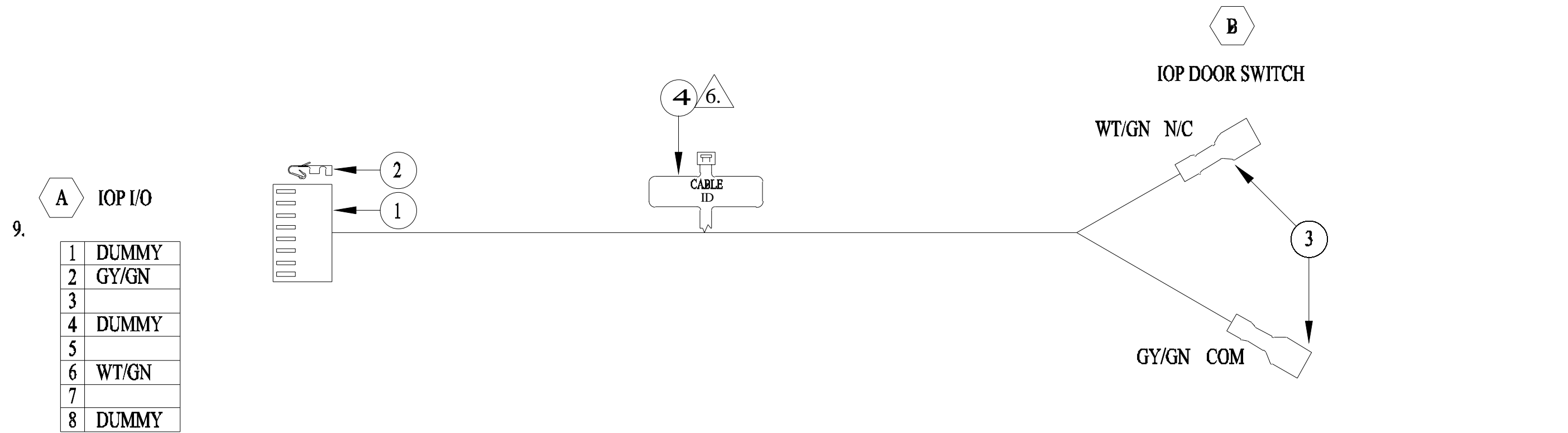
REF.	PART NUMBER	DESCRIPTION	QTY.
1	E-01032-0009	CONNECTOR, DUAL ROW, 24 PIN, FULL KEY	1
2	E-00671-0003	TERMINAL, MOD IV, STANDARD PRESSURE	10
3	E-00810-0018	CONNECTOR, RECEPTACLE, .062, 6 CIR.	1
4	E-00810-0023	TERMINAL, MOLEX PIN, .062	5
5	E-00810-0022	CONNECTOR, RECEPTACLE, .062, 24 CIR.	1
6	E-00810-0025	TERMINAL, MOLEX SOCKET, .062, 18-24 AWG	14
7	E-00664-0547	ELECTRONIC SERIAL NUMBER ASSY. (ESN)	1
8	E-00405-0144	SPLICE, PICABOND, 26-22 AWG	1
9	M-01777-3600/6	SPIRAL WRAP	-
10	E-00647-0020	MARKER TIE	1
11	E-00647-0004	CABLE TIE, 4"	-

CABLE, GPT BILL ACCEPTOR
CBL-30528-0001



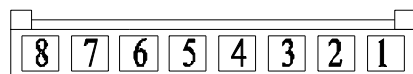






9. **A** IOP I/O

1	DUMMY
2	GY/GN
3	
4	DUMMY
5	
6	WT/GN
7	
8	DUMMY



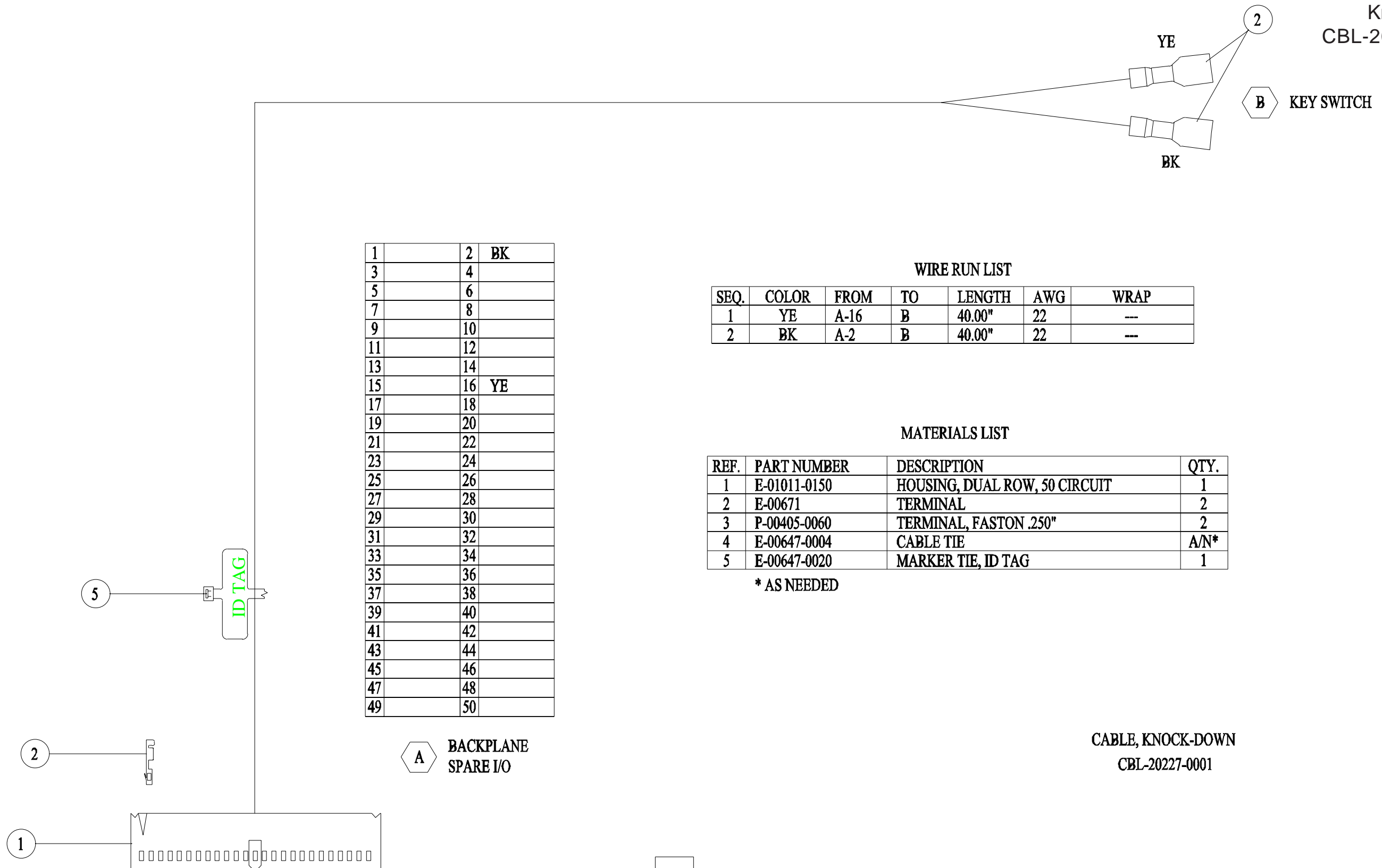
WIRE INSERTION
(REAR) VIEW

RUN LIST

SEQ	COLOR	FROM	TO	LENGTH	AWG	WRAP
1	GY/GN	A-2	B-1	8.50"	22	
2	WT/GN	A-6	B-2	8.00"	22	

1	E-01084-0133	CONN, MOLEX KK, PLUG, POLARIZED, 0.100, 8 CKT.	1
2	E-01085-0003	TERMINAL, MOLEX KK, 22-30 AWG.	5
3	P-00405-0066	TERMINAL, FASTON, .187 X .020	2
4	E-00647-0020	MARKER TIE, ID TAG	1
5	E-00647-0004	TIE WRAP, 3/32 X 3 7/8	-

CABLE, IOP DOOR SWITCH
EVO HYBRID
CBL-20319-0003



1	2	BK
3	4	
5	6	
7	8	
9	10	
11	12	
13	14	
15	16	YE
17	18	
19	20	
21	22	
23	24	
25	26	
27	28	
29	30	
31	32	
33	34	
35	36	
37	38	
39	40	
41	42	
43	44	
45	46	
47	48	
49	50	

WIRE RUN LIST

SEQ.	COLOR	FROM	TO	LENGTH	AWG	WRAP
1	YE	A-16	B	40.00"	22	---
2	BK	A-2	B	40.00"	22	---

MATERIALS LIST

REF.	PART NUMBER	DESCRIPTION	QTY.
1	E-01011-0150	HOUSING, DUAL ROW, 50 CIRCUIT	1
2	E-00671	TERMINAL	2
3	P-00405-0060	TERMINAL, FASTON .250"	2
4	E-00647-0004	CABLE TIE	A/N*
5	E-00647-0020	MARKER TIE, ID TAG	1

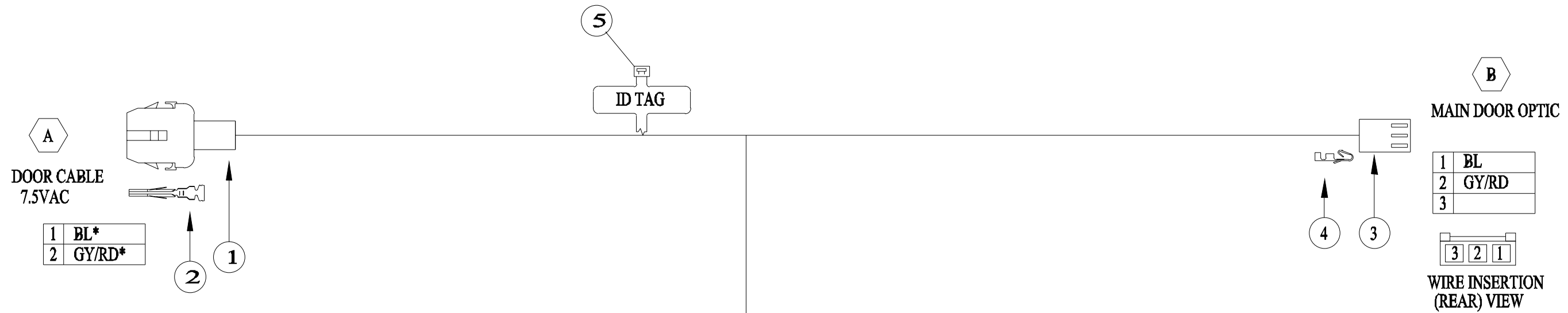
* AS NEEDED

CABLE, KNOCK-DOWN
CBL-20227-0001

A BACKPLANE
SPARE I/O

49	47	45	43	41	39	37	35	33	31	29	27	25	23	21	19	17	15	13	11	9	7	5	3	1
50	48	46	44	42	40	38	36	34	32	30	28	26	24	22	20	18	16	14	12	10	8	6	4	2

WIRE INSERTION VIEW

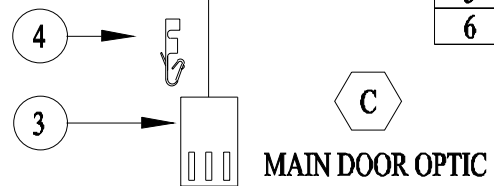


RUNNING LIST

SEQ.	COLOR	FROM	TO	LENGTH	AWG	WRAP
1	GY/RD	B-2	A-2*	12.00"	22	-
2	GY/RD	A-2*	C-2	10.00"	22	-
3	BL	B-1	A-1*	12.00"	22	-
4	BL	A-1*	C-1	10.00"	22	-

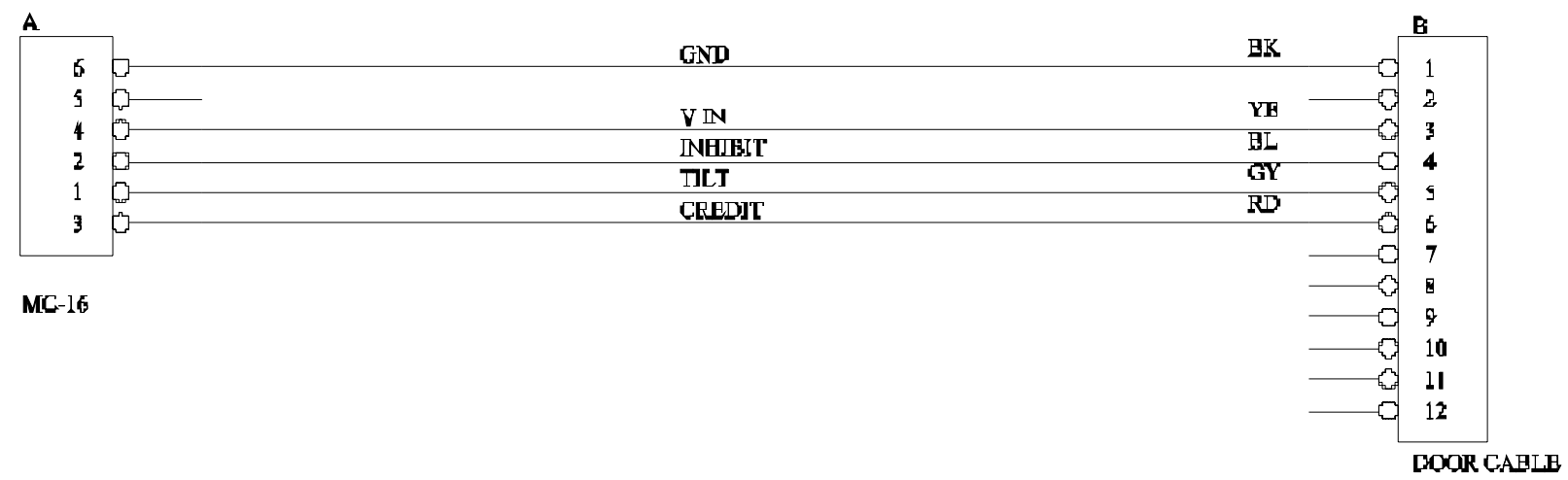
MATERIALS LIST

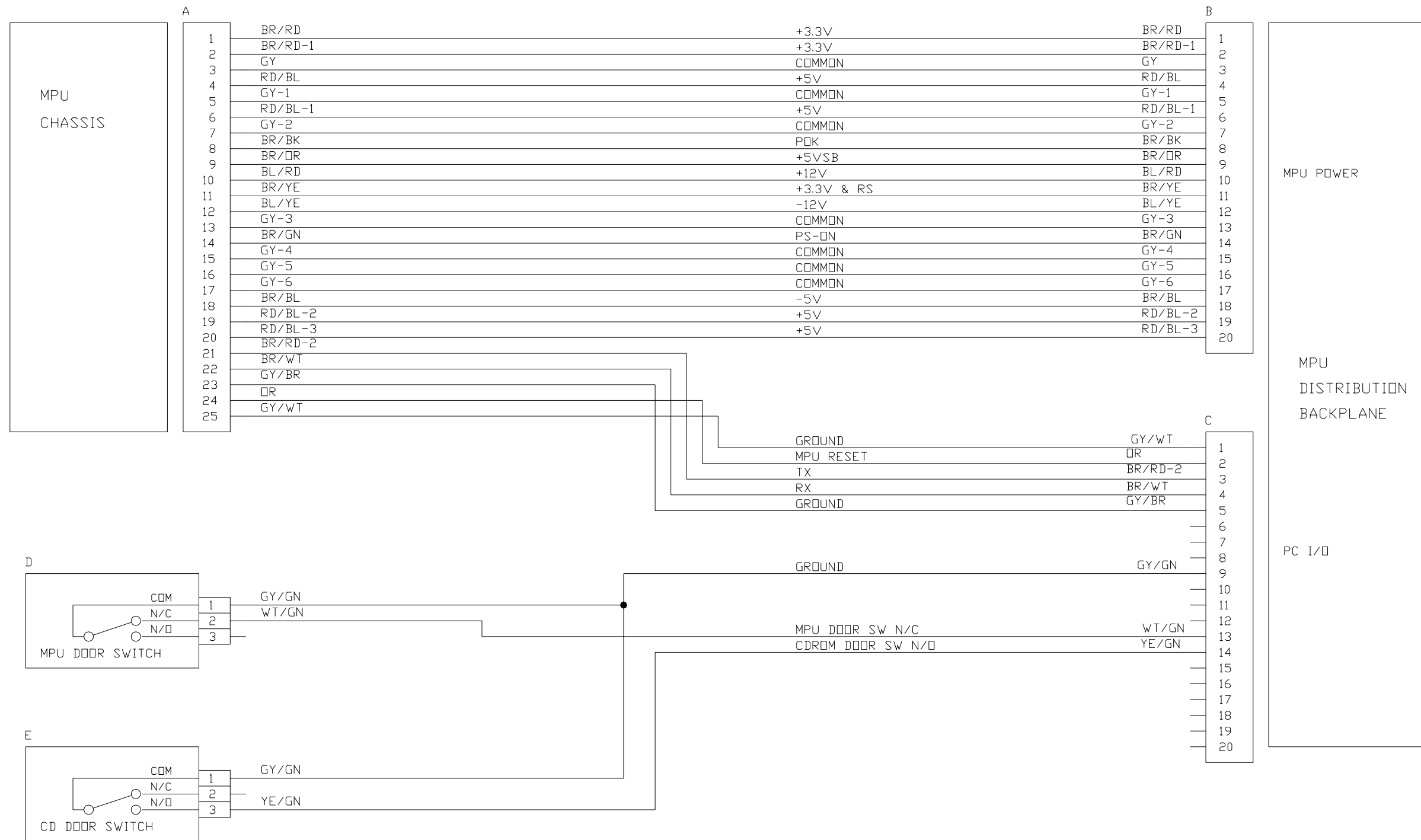
SEQ.	PART NUMBER	DESCRIPTION	QTY.
1	E-00804-0002	CONN, HOUSING CAP, 2 CIRCUIT	1
2	E-00807-0000	CONTACT, AMP SOCKET, 24-18 AWG.	2
3	E-01084-0128	CONN, MOLEX KK, PLUG, POLARIZED, 0.100, 3 CKT.	2
4	E-01085-0003	TERMINAL, SPRING, MOLEX KK, .100, 22-30 AWG.	6
5	E-00647-0020	MARKER TIE	1
6	E-00647-0004	CABLE TIE, 4"	-



CABLE, LIGHT, DOOR PANEL
CASH CAGE, V7200 UPRIGHT

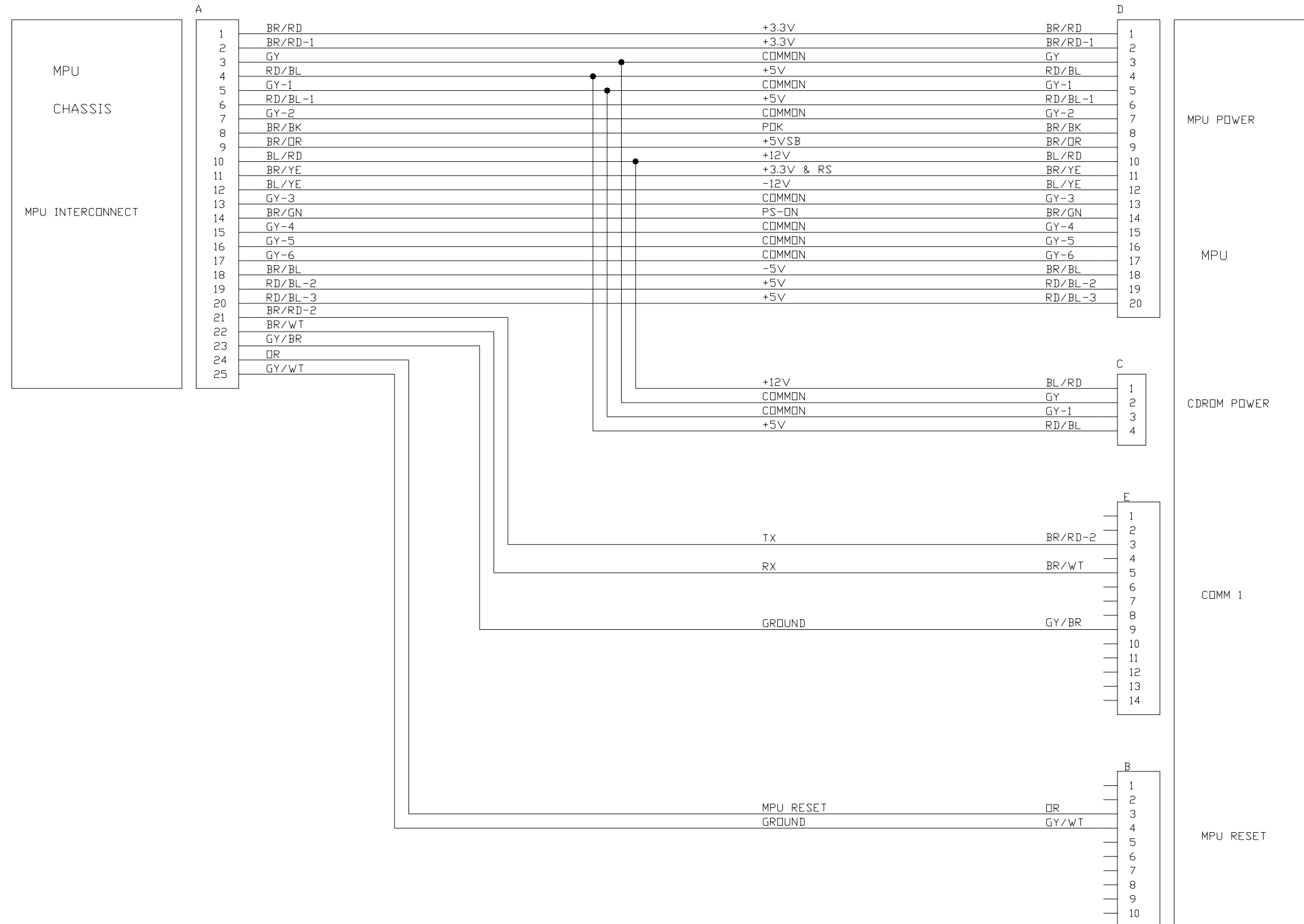
CBL-20255-0001

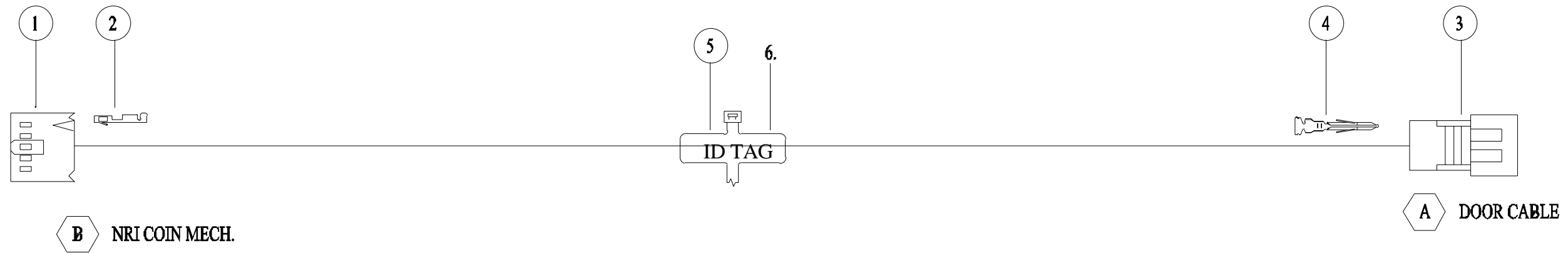






MPU Power/Reset
CBL-30519-0001





1	GY	2	BL/RD
3	GN/RD	4	GN/GY
5		6	BR/BL
7	GN/YE	8	GN/BR
9	GN/OR	10	GN/BL

MATERIAL LIST

REF.	PART NUMBER	DESCRIPTION	QTY.
1	E-01011-0110	HOUSING, AMP MOD IV, D/R, CENTER KEY, 10 CIRCUIT	1
2	E-00671	CONTACT, CRIMP, 24-20 AWG.	9
3	E-00810-0009	CONNECTOR, .062", 12 CIRCUIT	1
4	E-00810-0023	PINS, MALE, .062", 24-18 AWG.	9
5	E-00647-0020	MARKER TIE	1
6	E-00647-0004	CABLE TIE	-

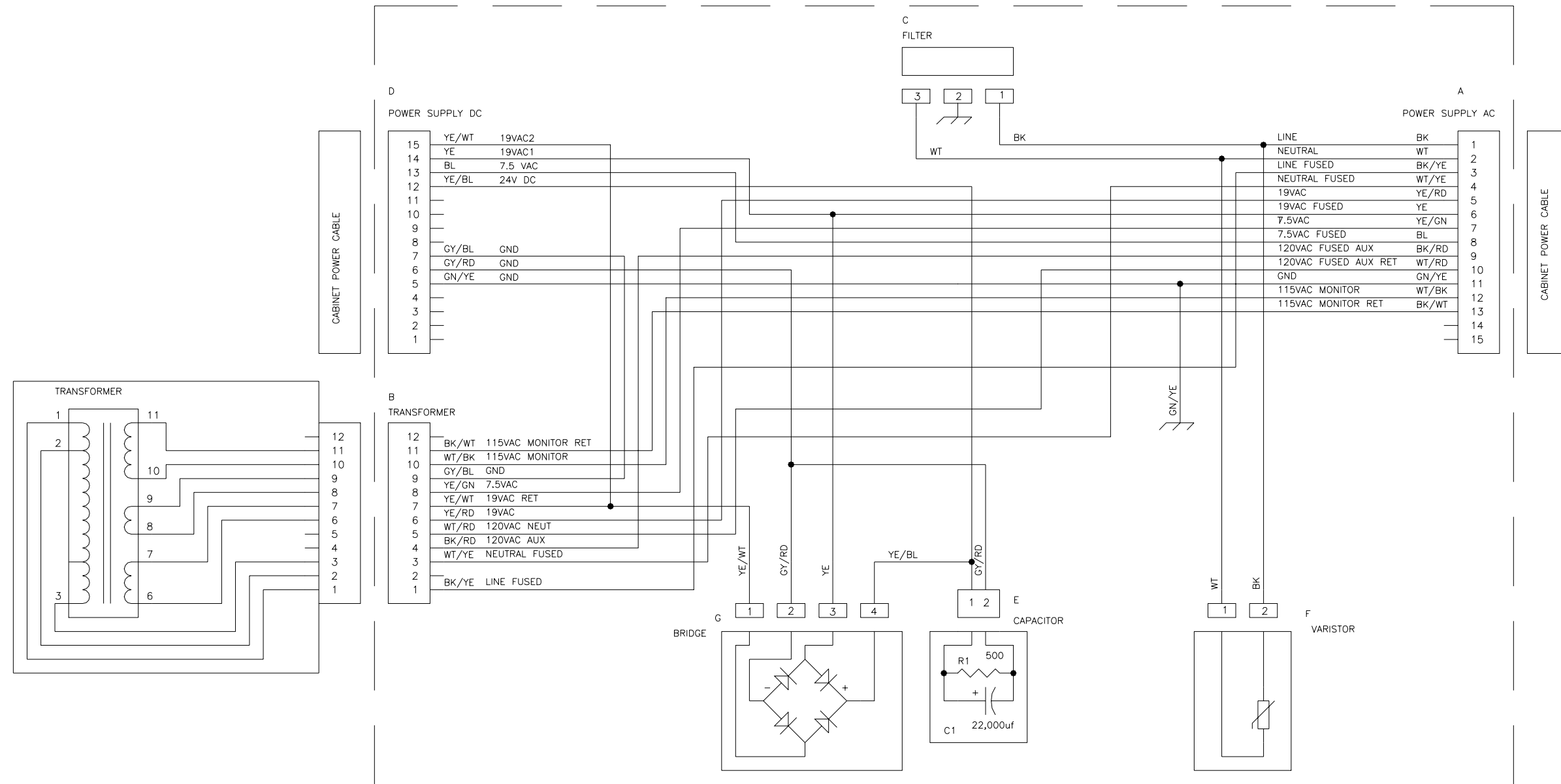
1	GY
2	
3	
4	BR/BL
5	GN/OR
6	GN/BR
7	GN/BL
8	GN/YE
9	BL/RD
10	GN/GY
11	GN/RD
12	

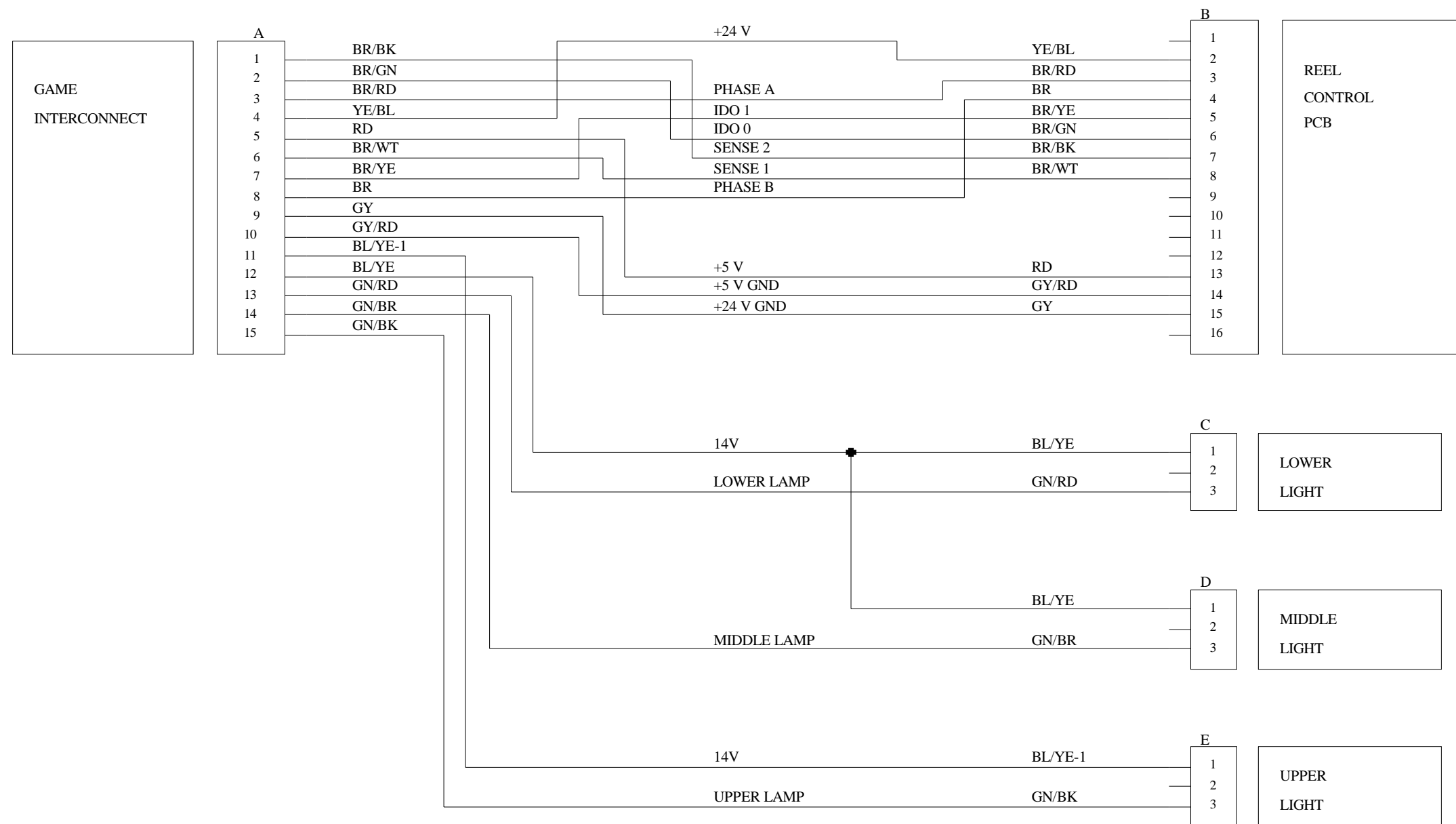
CABLE, NRI, CN. MECH.
V8500, V8000 & 19"V72

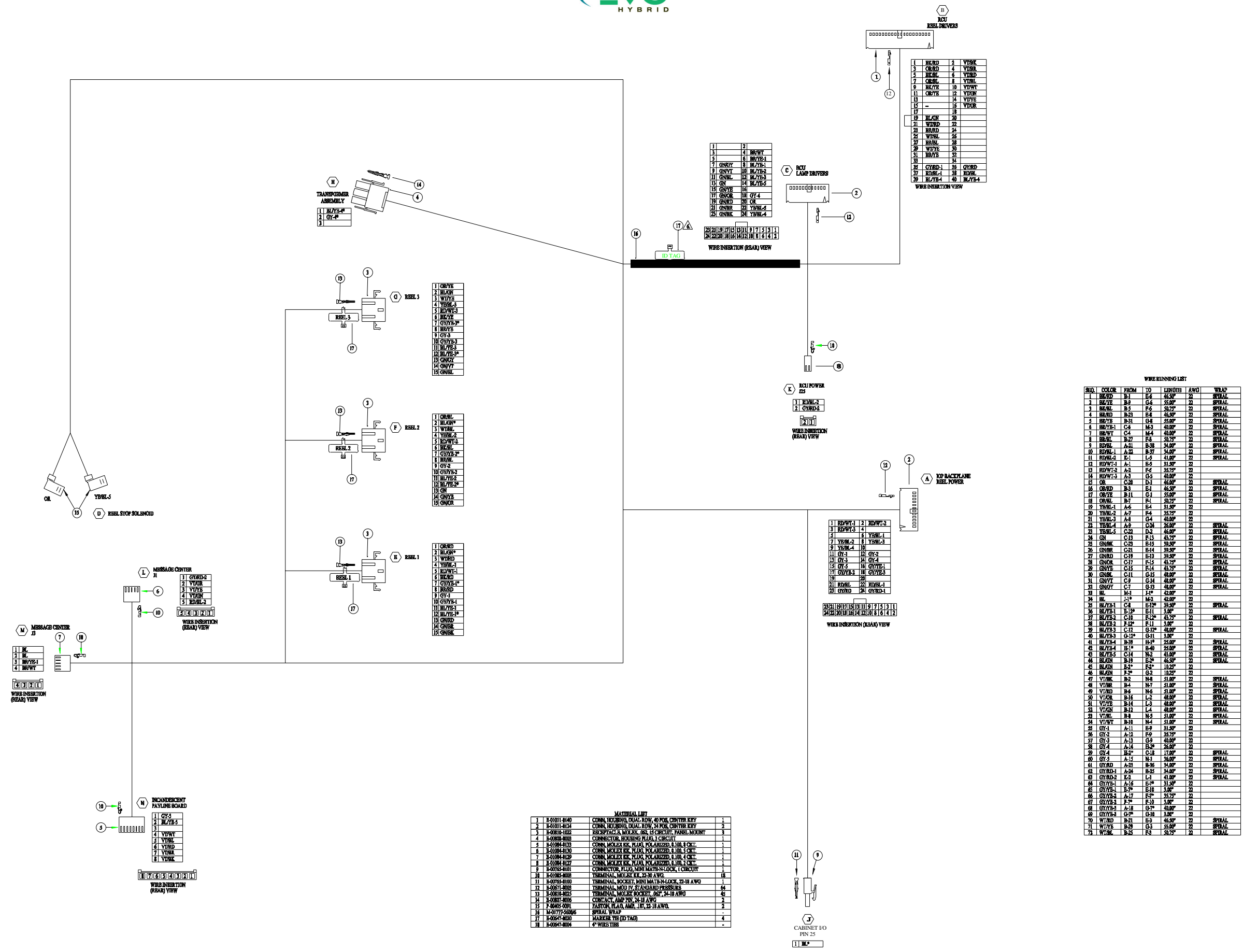
CBL-30487-0001

RUNNING LIST

SEQ.	COLOR	FROM	TO	LENGTH	AWG	WRAP
1	BR/BL	A-4	B-6	12.00	22	---
2	GN/BR	A-6	B-8	12.00	22	---
3	GN/RD	A-11	B-3	12.00	22	---
4	GN/OR	A-5	B-9	12.00	22	---
5	GN/YE	A-8	B-7	12.00	22	---
6	GN/BL	A-7	B-10	12.00	22	---
7	GN/GY	A-10	B-4	12.00	22	---
8	BL/RD	A-9	B-2	12.00	22	---
9	GY	A-1	B-1	12.00	22	---







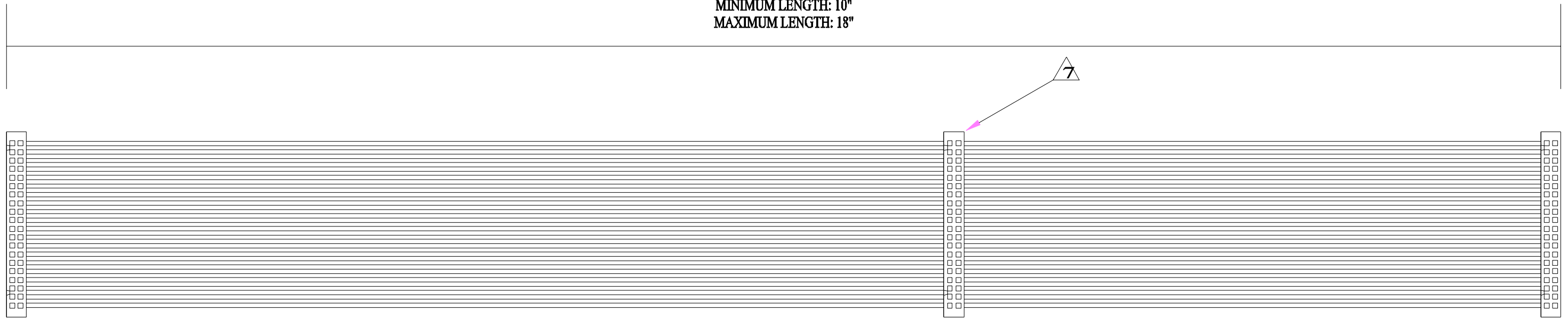
MATERIAL LIST

1	8-0101-4140	CONN. HOUSING, DUAL ROW, 40 POS, CENTER KEY	1
2	8-0101-4124	CONN. HOUSING, DUAL ROW, 24 POS, CENTER KEY	2
3	8-0101-4102	RECEPTACLE W/KEY, 20 POS, CENTER KEY, PANEL MOUNT	3
4	8-0101-4100	CONNECTOR HOUSING PLUG, 3 CIRCUIT	1
5	8-0101-4113	CONN. MOUNTING PLUG, POLARIZED 8 (0.1) Ckt.	1
6	8-0101-4130	CONN. MOUNTING PLUG, POLARIZED 8 (0.1) Ckt.	1
7	8-0101-4129	CONN. MOUNTING PLUG, POLARIZED 8 (0.1) Ckt.	1
8	8-0101-4127	CONN. MOUNTING PLUG, POLARIZED 8 (0.1) Ckt.	1
9	8-0101-4101	CONNECTOR, FLAT, NEW MATS+LOCK, 1 CIRCUIT	1
10	8-0101-4100	TERMINAL, MOLDEX, 22-26 AWG	18
11	8-0101-4100	TERMINAL, SOCKET, MINI MATS+LOCK, 22-18 AWG	1
12	8-0101-4100	TERMINAL, MOD IV, STANDARD PRESSURE	64
13	8-0101-4100	TERMINAL, MOLDEX SOCKET, 26-28 AWG	45
14	8-0101-4100	CONNECTOR, AMP, 24-18 AWG	2
15	8-0101-4100	FASTON, PLUG, AMP, 18, 22-18 AWG	2
16	8-0101-4100	SPRINT, WIRE	4
17	8-0101-4100	WIRE, 22 (ID TAG)	1
18	8-0101-4100	6" WIRE, 22	1

WIRING LIST

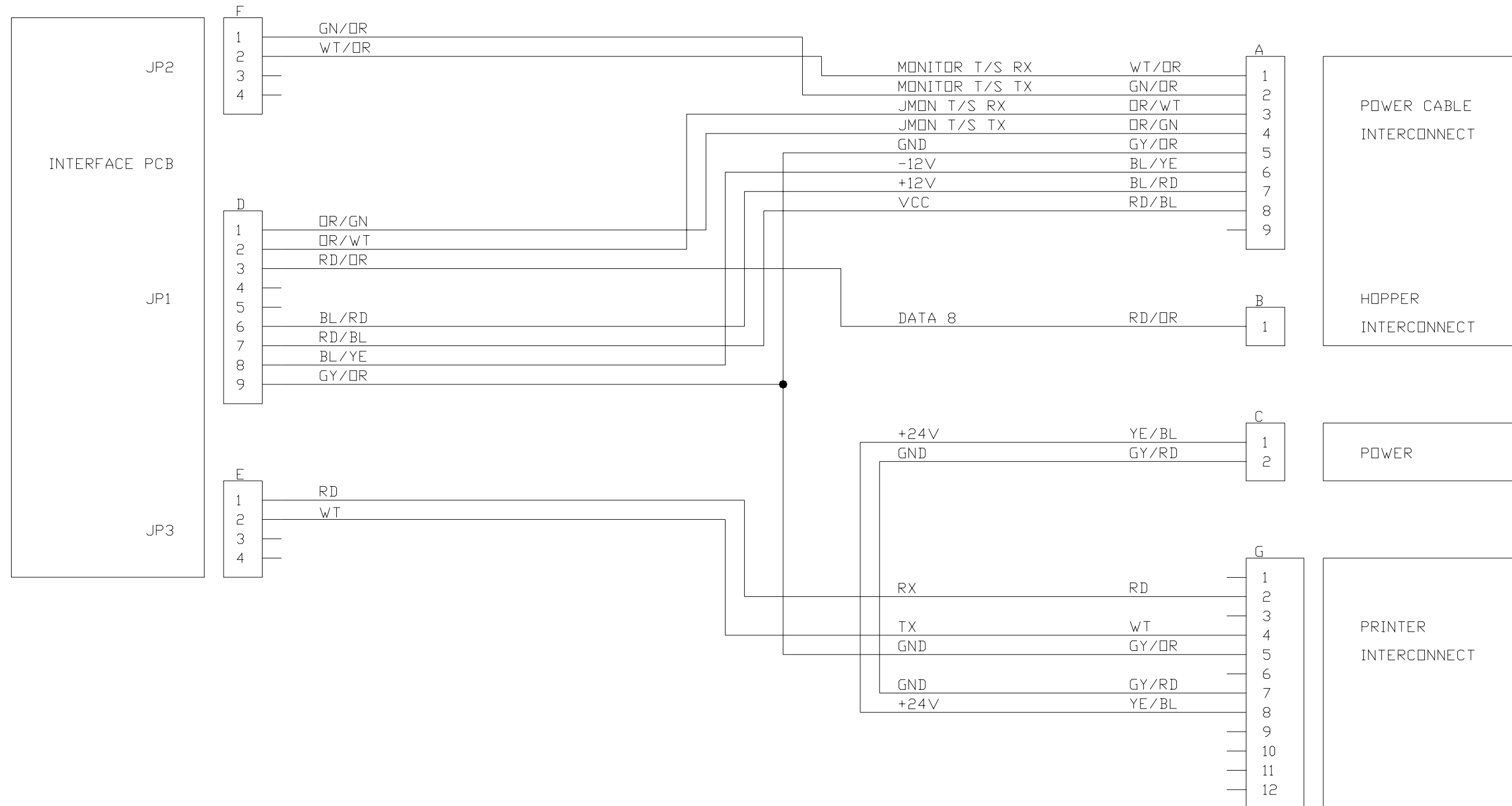
SEQ.	COLOR	FROM	TO	LENGTH	AWG	WIRE
1	BRN	B-1	E-6	45.00"	22	SERIAL
2	BLU	B-3	G-6	55.00"	22	SERIAL
3	BLU	B-5	F-6	50.75"	22	SERIAL
4	BRN	B-21	E-6	45.00"	22	SERIAL
5	BLU	B-31	G-6	55.00"	22	SERIAL
6	BRN	B-5	F-6	48.00"	22	SERIAL
7	BRN	C-4	M-4	48.00"	22	SERIAL
8	BLU	B-27	E-6	55.75"	22	SERIAL
9	BRN	A-21	B-38	54.00"	22	SERIAL
10	BRN	A-21	B-37	54.00"	22	SERIAL
11	BRN	E-1	F-6	41.00"	22	SERIAL
12	RDW	A-1	B-5	31.50"	22	SERIAL
13	RDW	A-2	F-6	35.75"	22	SERIAL
14	RDW	A-3	G-6	40.00"	22	SERIAL
15	OR	C-20	D-1	45.00"	22	SERIAL
16	OR	B-3	E-1	46.50"	22	SERIAL
17	OR	B-11	G-1	55.00"	22	SERIAL
18	OR	B-7	E-2	50.75"	22	SERIAL
19	YEL	A-6	E-4	31.50"	22	SERIAL
20	YEL	A-7	F-4	35.75"	22	SERIAL
21	YEL	A-4	G-4	40.00"	22	SERIAL
22	YEL	A-2	C-20	26.00"	22	SERIAL
23	YEL	C-20	D-2	40.00"	22	SERIAL
24	OR	C-10	F-10	45.75"	22	SERIAL
25	GNK	C-20	E-20	55.00"	22	SERIAL
26	GNK	C-21	E-14	39.50"	22	SERIAL
27	GNK	C-19	E-13	39.50"	22	SERIAL
28	GNK	C-17	E-11	45.75"	22	SERIAL
29	GNK	C-15	E-9	45.75"	22	SERIAL
30	GNK	C-11	G-15	48.00"	22	SERIAL
31	GNK	C-9	G-13	48.00"	22	SERIAL
32	GNK	C-7	G-11	48.00"	22	SERIAL
33	BL	M-1	J-1*	42.00"	22	SERIAL
34	BL	C-4	M-3	48.00"	22	SERIAL
35	BLU	C-4	F-1*	39.50"	22	SERIAL
36	BLU	E-1*	E-11	5.00"	22	SERIAL
37	BLU	C-10	E-1*	45.75"	22	SERIAL
38	BLU	J-1*	F-11	5.00"	22	SERIAL
39	BLU	C-12	G-1*	48.00"	22	SERIAL
40	BLU	G-1*	G-11	3.00"	22	SERIAL
41	BLU	B-10	H-*	25.00"	22	SERIAL
42	BLU	B-7	H-*	25.00"	22	SERIAL
43	BLU	C-14	N-2	40.00"	22	SERIAL
44	BLU	B-10	S-2*	46.50"	22	SERIAL
45	BLU	B-2*	F-*	10.25"	22	SERIAL
46	BLU	F-*	G-2	10.25"	22	SERIAL
47	VTBK	B-2	N-4	51.00"	22	SERIAL
48	VTBK	B-4	N-7	51.00"	22	SERIAL
49	VTBK	B-6	N-6	51.00"	22	SERIAL
50	VTBK	B-16	L-2	48.00"	22	SERIAL
51	VTBK	B-14	L-3	48.00"	22	SERIAL
52	VTBK	B-10	L-4	48.00"	22	SERIAL
53	VTBK	B-8	N-5	51.00"	22	SERIAL
54	VTBK	B-10	N-4	51.00"	22	SERIAL
55	GY-1	A-11	E-9	31.50"	22	SERIAL
56	GY-2	A-12	F-9	35.75"	22	SERIAL
57	GY-3	A-13	G-9	40.00"	22	SERIAL
58	GY-4	A-14	H-9	26.00"	22	SERIAL
59	GY-4	B-4*	C-10	1.00"	22	SERIAL
60	GY-5	A-15	N-1	56.00"	22	SERIAL
61	GYRD	A-23	B-26	34.00"	22	SERIAL
62	GYRD-1	A-26	B-32	34.00"	22	SERIAL
63	GYRD-2	E-3	L-1	41.00"	22	SERIAL
64	GYRD-3	G-1*	G-11	31.50"	22	SERIAL
65	GYRD-4	E-1*	E-11	3.00"	22	SERIAL
66	GYRD-4	A-17	F-*	55.75"	22	SERIAL
67	GYRD-4	F-*	F-10	5.00"	22	SERIAL
68	GYRD-4	A-18	G-*	40.00"	22	SERIAL
69	GYRD-4	G-*	G-10	3.00"	22	SERIAL
70	WTRD	B-21	E-3	46.50"	22	SERIAL
71	WTRD	B-20	G-3	50.00"	22	SERIAL
72	WTRD	B-20	F-3	50.75"	22	SERIAL

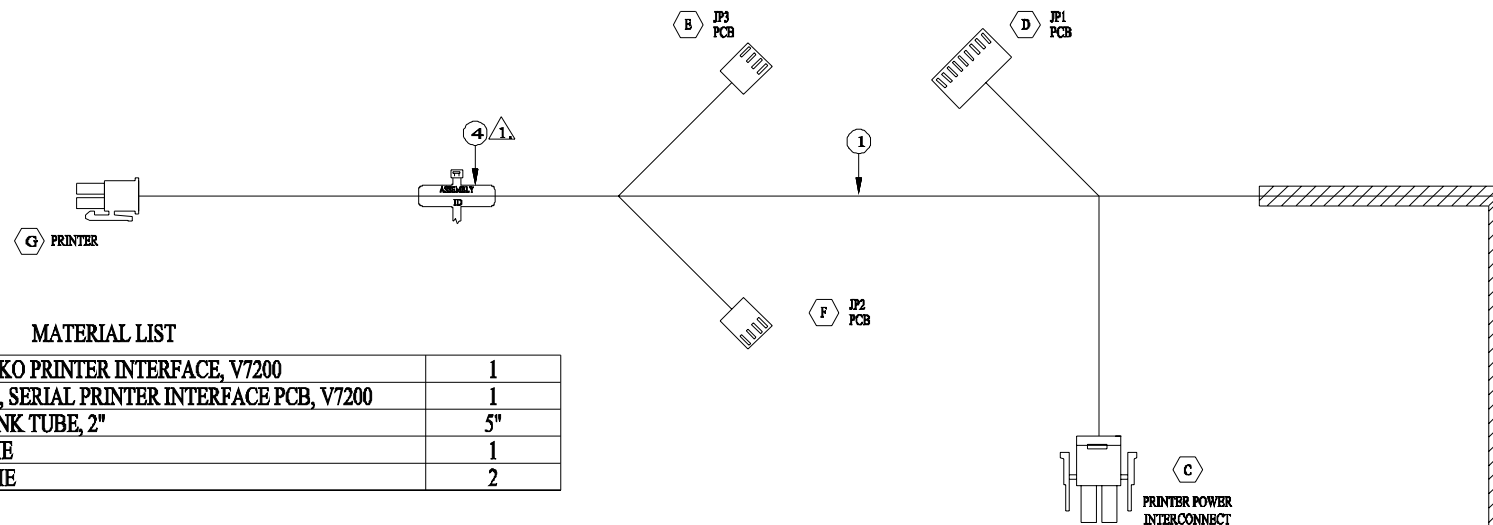
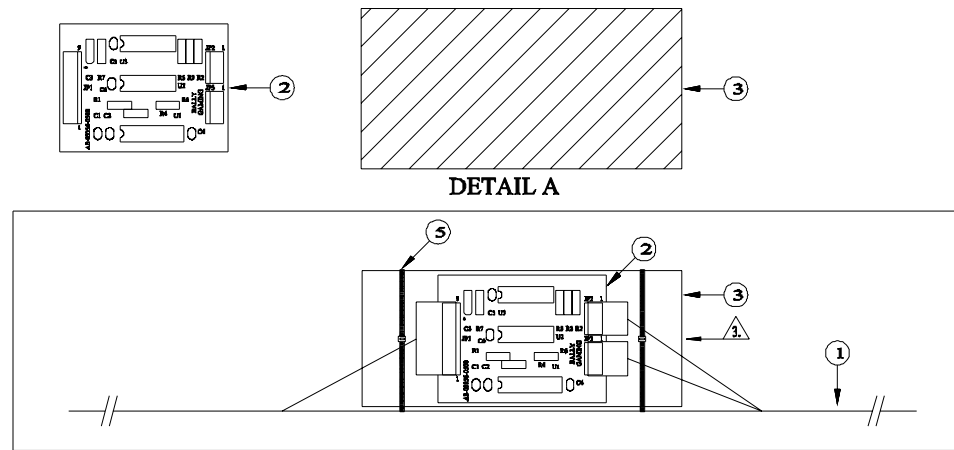
MINIMUM LENGTH: 10"
MAXIMUM LENGTH: 18"



ASSEMBLY, RIBBON CABLE, IDE
V8000

AS-02988-0229

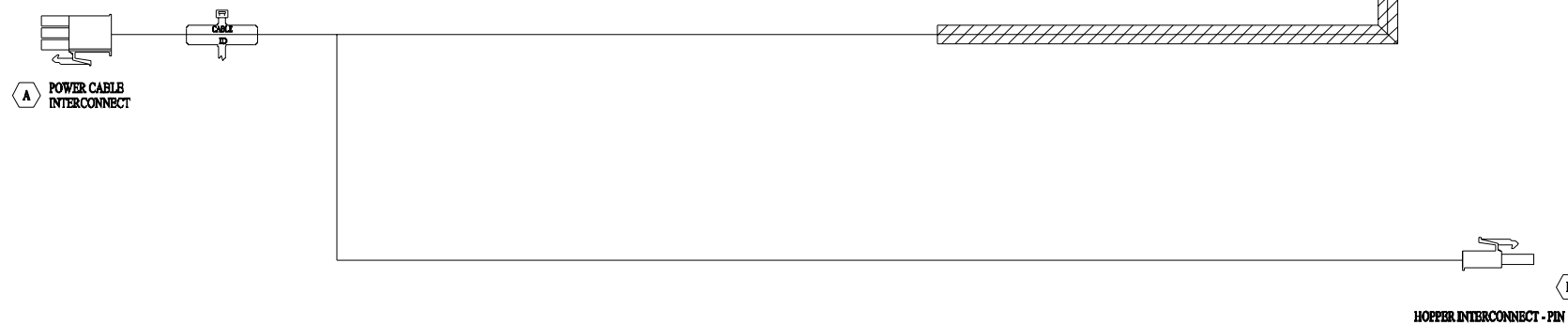


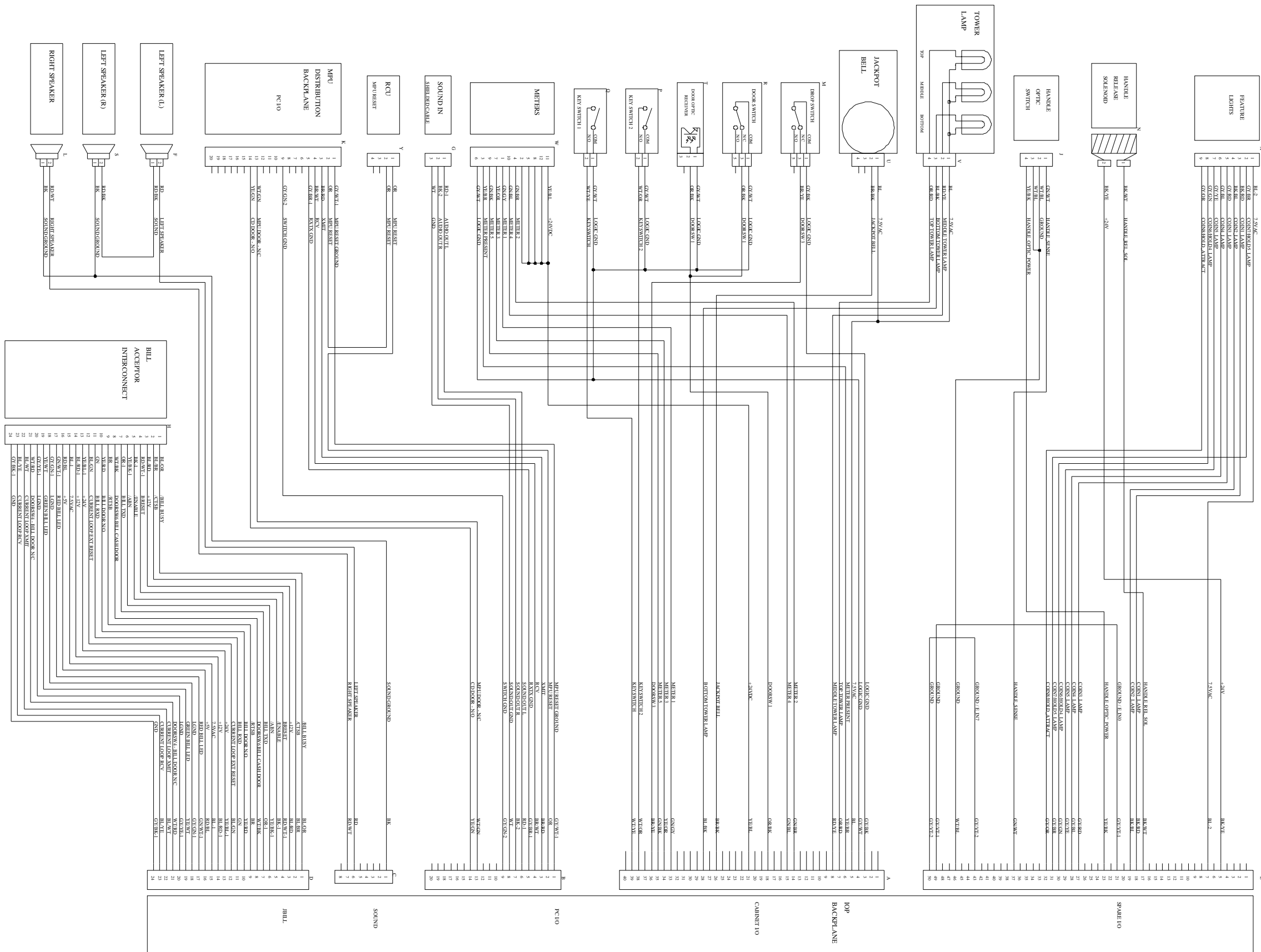


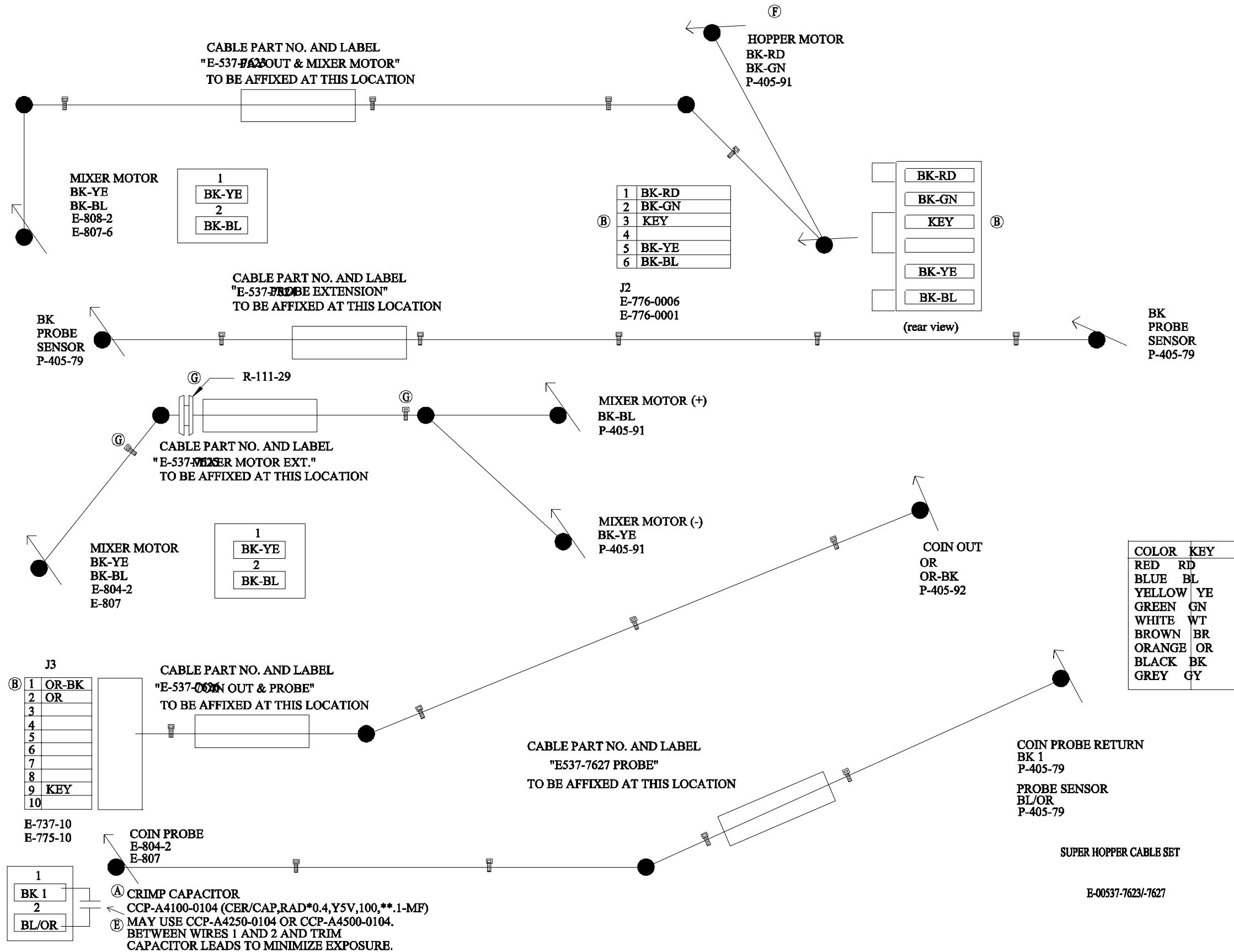
MATERIAL LIST

1	CBL-30483-0002	CABLE, SEIKO PRINTER INTERFACE, V7200	1
2	AS-03356-0500	ASSEMBLY, SERIAL PRINTER INTERFACE PCB, V7200	1
3	M-01777-5712	HEAT SHRINK TUBE, 2"	5"
4	E-00647-0020	MARKER TIE	1
5	E-00647-0004	4" CABLE TIE	2

ASSEMBLY, SEIKO PRINTER INTERFACE
CABLE, V7200, 19"
E-00664-0604



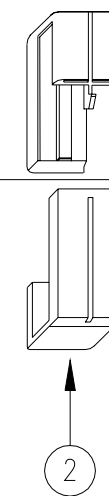
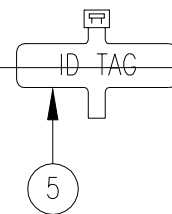
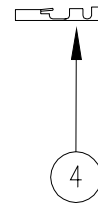
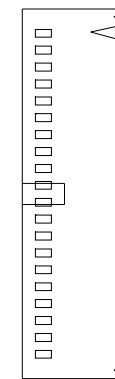




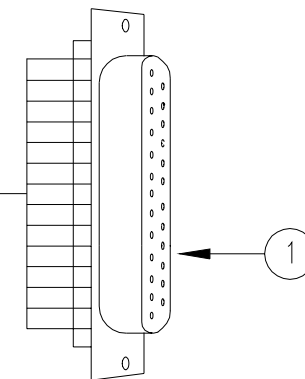
1	BK	2	YE/BK
3	RD	4	GN/BK
5	BR	6	BL/BK
7	OR	8	VT/BK
9	YE	10	GY/BK
11	GN	12	WT/BK
13	BL	14	GY/WT
15	VT	16	RD/WT
17	GY	18	OR/WT
19	WT	20	YE/WT
21	BR/BK	22	GN/WT
23	RD/BK	24	BL/WT
25	OR/BK	26	
27		28	
29		30	
31		32	
33		34	
35		36	
37		38	
39		40	

WIRE INSERTION VIEW

JSYSTEM



SDS CABLE

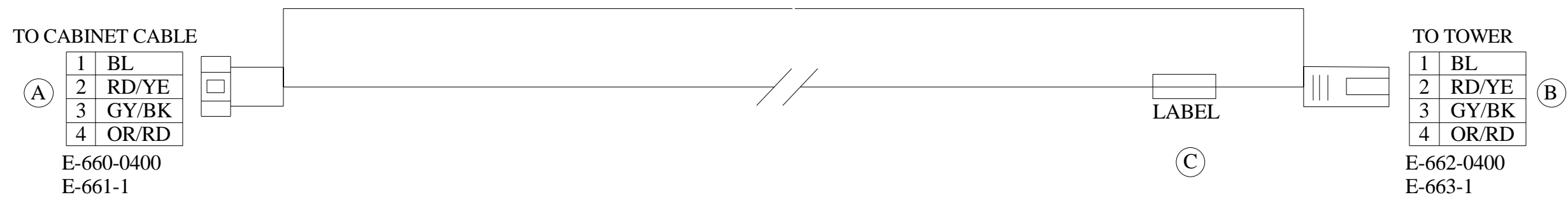


1	BK	14	YE/BK
2	BR	15	GN/BK
3	RD	16	BL/BK
4	OR	17	VT/BK
5	YE	18	GY/BK
6	GN	19	WT/BK
7	BL	20	GY/WT
8	VT	21	RD/WT
9	GY	22	OR/WT
10	WT	23	YE/WT
11	BR/BK	24	GN/WT
12	RD/BK	25	BL/WT
13	OR/BK		

MATERIALS LIST

REF.	PART NUMBER	DESCRIPTION	QTY.
1	E-00910-0061	RECEPTACLE, DB25, SINGLE WIRE I.D.C	1
2	E-00910-0065	COVER, PLASTIC, DB25	1
3	E-01011-0140	CONN, HOUSING, DUAL ROW, 40 PIN	1
4	E-00671-0003	TERMINAL, MOD IV, 24-20 AWG	25
5	E-00647-0020	MARKER TIE	1
6	E-00647-0004	CABLE TIE, 3/32" X 3 7/8"	-

SEQ	FROM	TO	COLOR	LENGTH(INCH)	AWG	REF	BALLY P/N	DESCRIPTION	QTY
1	A-1	B-1	BL	20.00	22	A	E-660-0400	CONN, 4 POS	1
2	A-2	B-2	RD/YE	20.00	22	A	E-661-1	TERMINAL, MALE	4
3	A-3	B-3	GY/BK	20.00	22	B	E-662-0400	CONN, 4 POS	1
4	A-4	B-4	OR/RD	20.00	22	B	E-663-1	TERMINAL, FEMALE	4
						C	E-647-20	ID TAG	1



CABLE, TOWER LAMP EXTENSION
CBL-20095-0001

MATERIALS LIST

REF.	PART NUMBER	DESCRIPTION	QTY.
1	E-00810-0022	RECEPTACLE, MOLEX, .062, 24 CIRCUIT	1
2	E-00810-1016	RECEPTACLE, .062, MOLEX, 4 CIRCUIT	1
3	E-00810-0025	TERMINAL, .062, 18-24 AWG	6
4	E-00810-0026	TERMINAL, .062, 24-30 AWG	7
5	E-00664-0549	JAE DRAWER PLUG ASSEMBLY PREWIRED	1
6	E-00647-0020	MARKER TIE, ID TAG	1
7	E-00647-0004	CABLE TIES	-

WIRE RUNNING LIST

SEQ.	COLOR	FROM	TO	LENGTH	AWG	WRAP
1	YE/RD	A-10	C-2	12.00"	22	---
2	GY/BK	A-24	C-1	12.00"	22	---
3	WT/RD	A-21	C-3	12.00"	22	---
4	BK-1	A-18	B-4	11.00"	26	---
5	BK-2	A-20	B-7	11.00"	26	---
6	BR	A-12	B-2	11.00"	26	---
7	RD	A-3	B-1	11.00"	26	---
8	OR	A-23	B-8	11.00"	26	---
9	YE	A-14	B-3	11.00"	26	---
10	GN	A-22	B-9	11.00"	26	---

