



MODULE 3

MK3-EVMOD-0006

ASSEMBLIES, PARTS AND HARDWARE

Bally Gaming and Systems

©2003 BALLY GAMING AND SYSTEMS ALL RIGHTS RESERVED

6601 South Bermuda Road, Las Vegas, NV 89119

**For Customer Service and Information:
+1-702-896-7772 outside the U.S.
1-877-GO BALLY (877) 462-2559 in the U.S. and Canada
896-7772 in Las Vegas
FAX +1-702-896-7710
or visit our website at <http://www.ballygaming.com>**



Module 3 — Assemblies, Parts and Hardware

Table of Contents

Locks and Cams	3-5
2nd Key Switch and Shipping Locks M-00281-(SERIES)	3-5
Lock Requirements P-00758-(SERIES)	3-5
Programmable Devices and Batteries	3-5
Circuit Boards AS-03356-(SERIES)	3-6
Cables	3-6
Coin Handling Parts	3-7
Denomination Change Kits for Machines with XS1200 Hoppers K-00811-(SERIES)	3-7
Coin Acceptor Kit	3-7
Coin Head Back Plates C-0411X-(SERIES)	3-8
XS1200 Hopper Coin-Specific Parts	3-8
Asahi Seiko Hopper Coin-Specific Parts	3-8
Optic Board Mounting Block M-01755-(SERIES)	3-8
Hopper Assembly AS-06793-(SERIES) and AS-03105-(SERIES)	3-9
Printers E-01030-(SERIES)	3-10
Ithaca Thermal Printer	3-10
Seiko Thermal Printer, PSA-66-ST	3-11
Coin Acceptor Selections	3-12
Coin Mechanisms, Inc. RFI CC-16 E-00887-02XX	3-12
Coin Mechanisms, Inc. IC-16 E-00887-1XXX	3-12
Coin Mechanisms, Inc. MC-16 E-00887-6XXX	3-12
Coin Controls, Inc. Condor E-00887-2XXX	3-13
National Rejectors, Inc. E-00887-45XX	3-13
IDX E-X(SERIES)	3-14
Bill Acceptor Selections	3-15
JCM WBA E-01100-(SERIES)	3-15
GPT E-01120-(SERIES)	3-15
Mars E-21100-(SERIES)	3-15
Bill Acceptor Housing AS-06602-0005	3-16
EVO™ V8717 and V8719 Upright	3-17
Cabinet Assembly	3-17
Cabinet Cable Assembly AS-03025-(SERIES)	3-18
Hopper Cable Assembly AS-03025-0155	3-20
Pentium® PC Assembly AS-06901-0010	3-20
PC Housing Assembly AS-04173-0227	3-21
Backplane Board/IOP Shelf Assembly AS-04173-(SERIES)	3-22
IOP Tray Assembly AS-06902-(SERIES)	3-23
Power Supply AS-04238-(SERIES)	3-24
Transformer E-00122-(SERIES)	3-25
Line Cord Assembly E-00126-(SERIES)	3-27
Convenience Outlet AS-03268-(SERIES)	3-28
Tower Lens Selection M-02100-(SERIES)	3-28
Speaker, 4-Inch Round, 4 OHM E-00281-0027	3-28
Tower Selections TWRx-(SERIES)	3-29
Meter Assembly AS-04225-(SERIES)	3-31
Bell and Receptacle E-00664-0466	3-33
Fan Assembly E-00664-(SERIES) and E-00694-(SERIES)	3-33
Monitor E-00832-(SERIES)	3-34



Module 3 — Assemblies, Parts and Hardware

Table of Contents (Cont.)

Door Assembly	3-36
V8717 Door AS-08514-(SERIES)	3-37
V8719 Door AS-07210-(SERIES)	3-39
Button Deck/Player Panel A-1781x-(SERIES)	3-41
Legend Plate BL-047XX-(SERIES)	3-43
Belly Door Assembly A-16512-0001	3-46
Illumination E-00125-(SERIES) and E-0041X-(SERIES)	3-46
Belly Glass Light Assembly AS-03361-(SERIES)	3-47
Door Panel Light Assembly AS-02335-0084	3-49
Coin Panel Assembly AS-03210-(SERIES)	3-50
Backplate with Coin Tray AS-05998-(SERIES)	3-54
Top Box Selections AS-04222-(SERIES)	3-55
Round Top	3-55
Oval Top	3-57
Extended Top	3-59
Standard Top	3-61
Top Box Door, Round AS-07222-(SERIES)	3-63
Top Box Door, Oval AS-07226-(SERIES)	3-64
Top Box Door, Extended AS-07231-(SERIES)	3-65
Top Box Door, Standard AS-07217-(SERIES)	3-66
Starter/Ballast Assembly AS-0X335-(SERIES)	3-67
EVO™ Slant	3-75
Cabinet Assembly	3-75
Cabinet Power Cable Assembly AS-03025-0172	3-76
Pentium® PC Assembly AS-06901-0012	3-77
PC Housing Assembly AS-06801-0003	3-78
Backplane/IOP Housing Assembly AS-06604-0011	3-78
IOP/Tray Assembly AS-06605-(SERIES)	3-79
Convenience Outlet AS-03268-(SERIES)	3-79
Speaker E-00281-(SERIES)	3-80
Meter Assembly AS-04225-0071	3-81
PC Exhaust Fan E-00694-0024	3-81
Monitor E-00832-(SERIES)	3-82
Deck Assembly	3-83
Deck/Bill Acceptor Hatch Assembly AS-08740-(SERIES)	3-83
Button Deck/Player Panel A-07810-(SERIES)	3-84
Cabinet Door Assembly A-08750-(SERIES)	3-85
Arm Rest A-05201-(SERIES)	3-86
Top Box Selections AS-04222-(SERIES)	3-87
Oval Top	3-87
Extended Top	3-87
Top Box Door, Oval AS-07241-(SERIES)	3-88
Top Box Door, Extended AS-07243-(SERIES)	3-89
Systems Panels	3-90
Part Number Structure	3-100
Video Model Number	3-101
Appendix A — Lock Cams	3-102

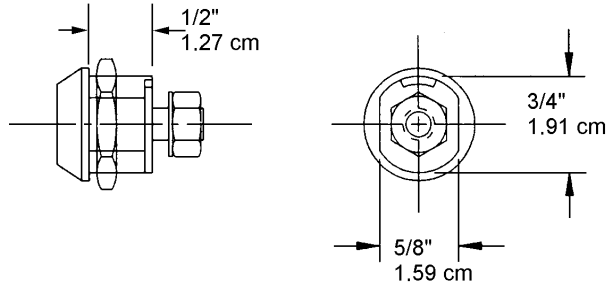


Module 3

Assemblies, Parts and Hardware

Locks and Cams

Locks for key switches, the I/O assembly, CD ROM door, and the Pentium assembly are installed at the factory. Cams are provided for the doors and other security locks that the Operator must purchase.



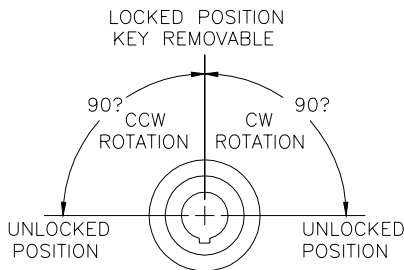
Single or dual lock configurations are possible. All lock openings are $\frac{5}{8}$ " (1.59cm) by $\frac{3}{4}$ " (1.91cm). The locks are 90 degree rotation. The keys should be removable only in the locked position.

Locks $1\frac{1}{8}$ " (2.86cm) long can be used with spacers to maintain the $\frac{1}{2}$ " (1.27cm) lock length.

2nd Key Switch and Shipping Locks M-00281-(SERIES)

V8717 V8719 Slant

PART #	DESCRIPTION	WHERE USED	V8717	V8719	SLANT
M-00281-0171	Switch, Locking Reset (Key 2341)	Audit Key Switch	X	X	X
M-00281-0172	Switch, Locking Reset (Key X000010)	Second Key Switch (Tournament, Knockoff)	X	X	X
M-00281-0184	Lock, Thumb-Turn (5/8")	Shipping Lock	X	X	
M-00281-158C	Switch, Locking Reset (Key X000001)	Audit Key Switch	X	X	X



EITHER "CW" OR "CCW" MAY BE OBTAINED BY CHANGING ORIENTATION OF STOP CAM ON BACK OF LOCK.



Illustrations of cams are provided in Appendix A on page 3-102.

Lock Requirements V8717 V8719 Slant

P-00758-(SERIES)

LOCATION	HARDWARE	PART #	V8717	V8719	SLANT
Main Door	Single Lock Cam	P-00758-0093	X	X	X
		P-00758-0173 Best®	X	X	
	Dual Locks	P-00758-0165	X	X	
Belly Door	Single Lock Cam	P-00758-0151	X	X	
		P-00758-0162 Best®	X	X	
	Dual Locks	P-00758-0166	X	X	
Drop Door	Lock, Temp. 1 1/8" No Key	M-00281-0181			X
	Cam	P-00758-0181			X
Stacker Access Door	Single lock Cam, GPT	P-00758-0152	X	X	
	Single Lock Cam	P-00758-0161 Best®	X	X	
	Dual Locks		X	X	
Bill Acceptor Door	Single Lock Cam, JCM/MARS/ARDAC	P-00758-0155	X	X	X
	Dual Locks	P-00758-0163 Best® Qty. 2	X	X	X
Bill Acceptor Hatch	Cam	P-00758-0202			X
CD ROM Access Door (Factory Installed)	Lock, Key 52593	M-00281-162A	X	X	
	Cam	P-00758-0094	X	X	
Pentium® PC Housing (Factory Installed)	Lock, Key 52593	M-00281-162A	X	X	
	Cam	P-00758-0094	X	X	X
I/O Tray		P-00758-0159	X		
		P-00758-0094		X	
		P-00758-0168			X
Audit Key Switch (Factory Installed)	Key Switch, Key H2341	M-00281-0171	X	X	X
	Key Switch, Key X000001	M-00281-158C	X		X
Top Box Door (Factory Installed)	Lock, Key 52593	M-00281-162A	X	X	X
	Cam (Round Top)	P-00758-0185	X	X	
	Cam (Standard Top)	P-00758-0199	X	X	
	Cam	P-00758-0160		X	
		P-00758-0201			X
Data Tracking System (Factory Installed)	Lock, Key 52593	M-00281-162A	X	X	
	Cam	P-06434-0007	X	X	

Programmable Devices and Batteries

V8717 V8719 Slant

PART #	DESCRIPTION	WHERE USED	V8717	V8719	SLANT
E-00867-0037	Blank EPROM, IC, 1M, 128K X 8, 80ns	JCM WBA Bill Acceptor	X	X	X
E-00867-0038	Blank EPROM, IC, 1M, 128K X 8, 120ns	Mars Bill Acceptor	X	X	X
E-00867-0039	Blank EPROM, IC, 2M, 256K X 8, 120ns	Personality (P1-P10)	X	X	X
E-00867-0042	Blank EPROM, CMOS, 512K 64K X 8	Personality (P1-P10)	X	X	X
E-00867-0045	Blank EPROM, IC, 4M, 512K X 8, 120ns	Main (M0, M1)	X	X	X
E-01056-0018	Programmed Controller, 16F84, FET-003	AS-03356-0368 Hopper Controller Board	X	X	X
E-01091-0004	Programmed COD Micro-Controller, PIC16C54, V5.1	AS-03356-0303 COD Board	X	X	X
E-00620-0652	IC, MMC96C56, 8-Pin	VIOP Board (U5)	X	X	X
E-00628-0024	Battery, Lithium (3.6V @ 1800 MAH)	VIOP Board (BH1)	X	X	X
E-00882	Jumper	VIOP Board (Wxx)	X	X	X
E-00620-0673	IC, Dallas Smart Socket DS1213D	VIOP Board (U19 and U24)	X	X	X



WARNING: Attempting to recharge Lithium batteries can cause them to explode. Replace failed batteries with Bally part E-00628-0024 or its equivalent.

Circuit Boards AS-03356-(SERIES)

V8717 V8719 Slant

PART #	DESCRIPTION	LOCATION	V8717	V8719	SLANT	
AS-03356-0431	LED Board, JCM WBA	Bill Acceptor	X	X	X	
AS-03356-0601	Backplane Board	Cabinet	X	X		
AS-03356-0507	VIOP Board		X	X	X	
AS-03356-0537	VIOP Board Dual Lock		X	X		
AS-03356-0548	IOP Board		X	X		
AS-03356-0625	IOP Board		X	X	X	
AS-03356-0428	Door Optic Detector Board		X	X	X	
AS-03356-0505	Power Distribution Board		X	X		
AS-03356-0609	Meter Detect Board, 5-Meter		X	X	X	
AS-03356-0513	Power Distribution Board				X	
AS-03356-0560	Backplane Board				X	
AS-03356-0303	Coin Optic Decoder 2 Board		Coin Acceptor	X	X	X
AS-03356-0427	Door Optic Emitter Board		Door	X	X	X
AS-03356-0368	Hopper Controller Board, FET, Dual Optic		Hopper	X	X	
AS-03356-0551	Marquee Board, To Tell the Truth		Marquee	X	X	
AS-03356-0557	Marquee Power Board, Star			X	X	
AS-03356-0558	Marquee Board, Star	X		X		
AS-03356-0572	LED Board, Playboy, Left	X		X	X	
AS-03356-0573	LED Board, Playboy, Left Ear	X		X	X	
AS-03356-0574	LED Board, Playboy, Right Ear	X		X	X	
AS-03356-0575	LED Board, Playboy, Right	X		X	X	
AS-03356-0577	LED Power Board, Round	X		X		
AS-03356-0578	LED Board, Round	X		X		
AS-03356-0580	Long Board, Rechange	X		X		
AS-03356-0581	Short Board, Rechange	X		X		
AS-03356-0584	Board #1, Conehead	X		X		
AS-03356-0585	Board #2, Conehead	X		X		
AS-03356-0586	Board #3, Conehead	X		X		
AS-03356-0587	Board #4, Conehead	X		X		
AS-03356-0588	Board #5, Conehead	X		X		
AS-03356-0589	Board #6, Conehead	X		X		
AS-03356-0592	Printed Circuit Board "A" Generic, Oval	X		X		
AS-03356-0593	Printed Circuit Board "B" Generic, Oval	X		X		
AS-03356-0605	Top LED Board, Cash for Life, 3/4 Scale	X		X		
AS-03356-0606	Bottom LED Board, Cash for Life, 3/4 Scale	X		X		
AS-03356-0607	Left LED Board, Cash for Life, 3/4 Scale	X		X		
AS-03356-0608	Right LED Board, Cash for Life, 3/4 Scale	X		X		
AS-03356-0621	LED Board with Power Connector, Diamond	X		X		
AS-03356-0622	LED Board, Diamond	X		X		
AS-03356-0630	Bottom Board, Cash for Life	X	X			
AS-03356-0631	Left Board, Cash for Life	X	X			
AS-03356-0632	Right Board, Cash for Life	X	X			
AS-03356-0633	Top Board, Cash for Life	X	X			
AS-03356-0509	Graphics Card	PC Assembly	X	X	X	
AS-03356-0542	MCU/Processor/Fan/RAM	X	X	X		
AS-03356-0543	MCU Board, Adastra	X	X	X		
AS-03356-0454	Bill Exit Light Board	Player Panel	X	X		
AS-03356-0500	Serial Printer Interface Board	Ticket Printer	X	X	X	
AS-03356-0528	LED Board, Seiko Printer	X	X			



Illustrations of circuit boards are provided in Module 14, Schematics.

PART #	DESCRIPTION	LOCATION	V8717	V8719	SLANT	
CBL-30670-0001	Cabinet Signal (Switzerland)	Cabinet	X			
CBL-30673-0001	Cabinet Signal (Switzerland)			X		
CBL-30723-0001	Cabinet Signal (Switzerland)				X	
CBL-20227-0001	Knock-Down				X	
CBL-20319-0002	IOP Door Switch			X	X	
CBL-20386-0001	Meter Detect Board (Switzerland)			X	X	X
CBL-30412-0001	Power Supply			X	X	X
CBL-30520-0001	Mpu Housing			X	X	
CBL-30625-0001	Backplane/PC Housing					X
CBL-30629-0001	PC I/O					X
CBL-20215-0001	Coin Acceptor CC-16/IDX		Coin Acceptor	X	X	
CBL-20306-0001	MC-16 Interface			X	X	
CBL-20307-0001	MC-16 Interface					X
CBL-20393-0001	Coin Acceptor Interface Defender			X	X	
CBL-20409-0001	Coin Acceptor Defender					X
CBL-30229-0001	CC-16/COD	X		X		
CBL-30229-0002	COD/Condor	X		X		
CBL-30487-0001	Coin Mechanism, NRI	X		X		
CBL-30489-0001	Coin I/O				X	
CBL-30532-0001	Auxiliary A/C Adapter, 3-Way	Convenience Outlet				X
CBL-30546-0001	Door, Up, Evo® Slot	Door	X	X		
CBL-30639-0001	Door, With Speakers		X	X		
CBL-20065-0001	Hopper, Dual Probe	Hopper	X	X		
CBL-30100-0001	Hopper, Super/Standard		X	X		
CBL-30227-0003	Hopper		X	X		
CBL-30241-0001	Hopper			X		
CBL-30676-0001	Topper, Cash For Life	Marquee	X	X		
CBL-20324-0001	Top Box Dual Fluorescent		X	X	X	
CBL-30507-0001	Top Box Power Adapter, 110V To 220V		X	X		
CBL-30651-0001	Led Top Box	PC Assembly	X	X	X	
CBL-20317-0001	GCB Access Port		X	X	X	
CBL-30519-0001	MPU Power/Reset		X	X		
CBL-30624-0001	MPU Tray				X	
CBL-30125-0003	Deck, 10-Button	Player Panel			X	
CBL-30425-0001	Deck, 10-Button		X	X		
CBL-30425-0003	Deck, 10-Button (France)		X	X		
CBL-30425-0005	Deck, 10-Button				X	
CBL-30426-0001	Deck, 12-Button		X	X		
CBL-30426-0003	Deck, 12-Button				X	
CBL-30427-0001	Deck, 14-Button		X	X		
CBL-30586-0001	Deck, 15-Button		X	X		
CBL-30586-0002	Deck, 15-Button				X	
CBL-30627-0001	Deck				X	
CBL-30646-0001	Deck, 5-Button	Systems and Communication	X	X		
CBL-30719-0001	Deck, 5-Button				X	
CBL-20273-0001	Second Key Switch Extension		X	X		
CBL-20274-0001	Belly Door Switch		X	X		
CBL-20047-0001	Meter Detect Jumper		X	X		
CBL-20236-0002	Door Open Meter		X	X		
CBL-20238-0001	System Interface		X	X		
CBL-30396-0001	Door Bell		X			
CBL-30560-0001	Monitor Power Adapter		X			
CBL-30631-0001	Card Reader, SCI		X	X		
CBL-30677-0001	Cabinet Signal, 3 Speaker (Switzerland)			X		
CBL-30483-0002	Seiko Printer Interface		Ticket Printer	X	X	X
CBL-20249-0001	Backplane Interconnect			X	X	X
CBL-20348-0001	Top Box Printer Door Switch			X	X	
CBL-20365-0001	Power Extension Overhead Light, Popeye		Top Box	X	X	
CBL-20368-0001	Top Box, Fluorescent				X	
CBL-30393-0001	Extended Top, 2-Light	X		X		
CBL-30619-0001	Power Overhead Light, Popeye	X		X		
CBL-30643-0001	Top Box Light				X	
CBL-30664-0001	Extended Top, 2 Light	Tower	X	X		
CBL-20095-0001	Tower Extension		X	X		
CBL-20151-0001	Tower Lamp Interface		X	X	X	
CBL-20152-0001	Tower Lamp Selector		X	X	X	
CBL-20153-0001	4 Tier Tower Interface Video		X	X	X	
CBL-20341-0001	Tower Extension, Popeye		X	X		
CBL-20343-0001	Tower Extension 30', Popeye		X	X		

Cables

V8717 V8719 Slant

PART #	DESCRIPTION	LOCATION	V8717	V8719	SLANT
CBL-20319-0001	IOP Door Switch	Backplane/IOP	X	X	
CBL-20187-0001	GPT Bill Acceptor	Bill Acceptor	X	X	
CBL-20188-0001	GPT Bill Box Connector		X	X	
CBL-20214-0001	Bill Acceptor Door		X	X	X
CBL-30305-0001	Mars Bill Acceptor		X	X	X
CBL-30528-0001	GPT Bill Acceptor		X	X	
CBL-30529-0001	WBA-10/11		X	X	
CBL-30636-0001	WBA-12/13, Sentry		X		
CBL-30638-0002	WBA -12/13, Sentry				X
CBL-30512-0001	Cabinet		X		
CBL-30513-0001	Cabinet			X	
CBL-30515-0001	Cabinet Signal	Cabinet	X		
CBL-30515-0002	Cabinet Signal			X	
CBL-30626-0001	Cabinet Power				X
CBL-30628-0001	Cabinet Signal				X



Coin Handling Parts

Denomination Change Kits for Machines with XS1200 Hoppers K-00811-(SERIES)

V8717 V8719 Slant

Parts needed to change the coin denomination accepted are available in kits.

Each kit contains the necessary coin entry and hopper parts for the XS1200 hopper. Refer to the following matrix for kit numbers:

V8717 / V8719		TO		
		5¢	25¢	\$1
FROM	5¢		K-00811-0071	K-00811-0073
	25¢	K-00811-0072		K-00811-0073
	\$1	K-00811-0076	K-00811-0074	

SLANT		TO		
		5¢	25¢	\$1
FROM	5¢		K-00811-0161	K-00811-0163
	25¢	K-00811-0062		K-00811-0163
	\$1	K-00811-0066	K-00811-0164	

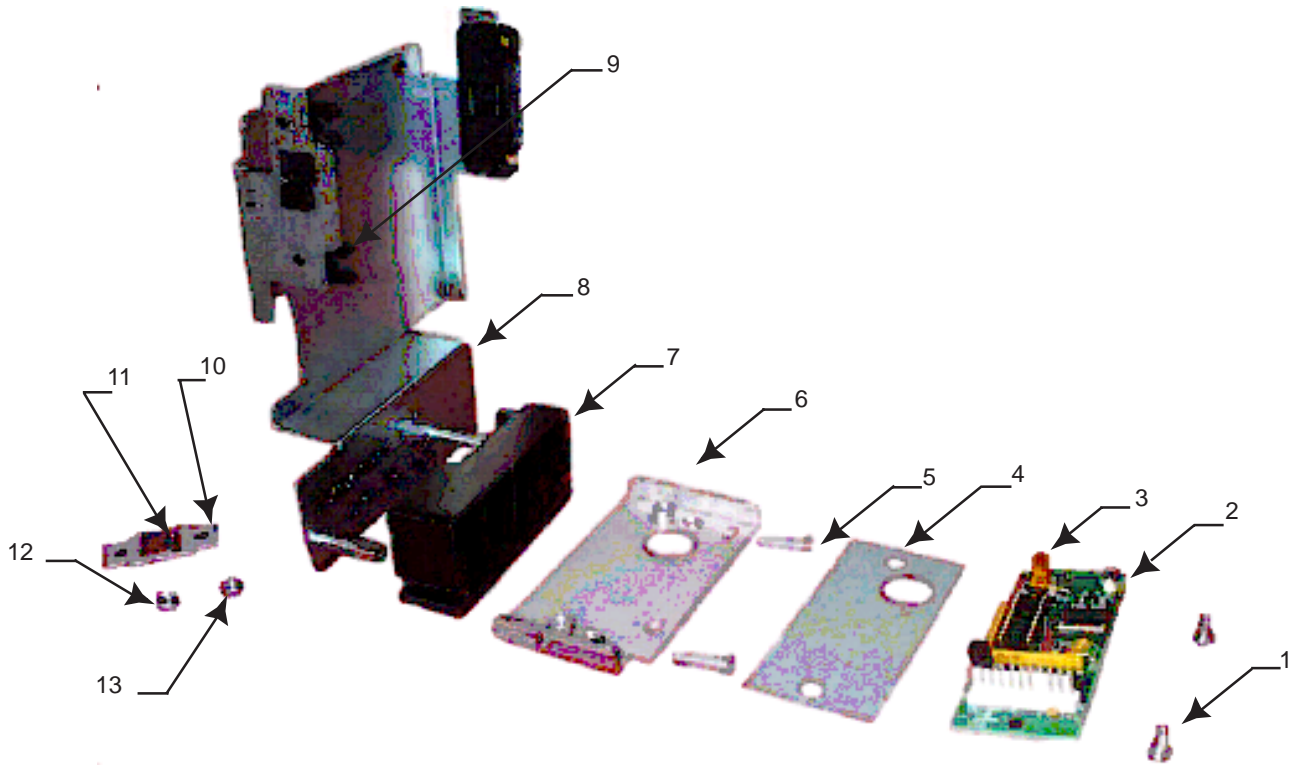
Coin Acceptor Kit

K-00674-(SERIES)

V8717 V8719

K-00614-(SERIES)

Slant



ITEM	QTY	PART #	DESCRIPTION	V8717	V8719	SLANT
1	2	LSP-00632-1104	Screw	X	X	
2	1	AS-03356-0303	Coin Optic Decoder 2 Board	X	X	X
3	1	E-00620-0670	Programmed COD51, PIC 16C54	X	X	X
4	1	P-00150-0288	COD Fishpaper	X	X	
5	2	LSP-00832-1106	Screw	X	X	X
6	1	P-09384-0001	Plate, Front Optic Block	X	X	
7	1	M-01755-SERIES	Optic Board Mounting Block	X	X	X
8	1	P-06004-SERIES	Bracket, Coin Acceptor	X	X	
	1	A-04380-0034	Bracket, Coin Acceptor, Narrow			X
9	2	M-06002-0002	Clip, Coin Acceptor Mounting	X	X	
10	1	M-01755-0942	Prism, Coin Optic	X	X	X
11	1	P-09322-0196	Bracket, Prism Mounting	X	X	
	1	P-09322-048A	Bracket, Prism Mounting			X
12	1	NLS-00440-1112	Nut	X	X	X
13	1	NLS-00632-1112	Nut	X	X	X
14	1	P-09319-SERIES	Guide, Coin	X	X	X
	1	P-09322-0211	Guide, Coin	X	X	
15	1	P-09319-SERIES	Bracket, Coin Head Clamp	X	X	

ITEM	QTY	PART #	DESCRIPTION	V8717	V8719	SLANT
16	2	NMPL-00440-1106	Screw	X	X	X
17	1	C-04110-SERIES	Back Plate	X	X	X
18	1	C-04711-SERIES	Base, Coin Head	X	X	
	1	C-04716-00P1	Base, Coin Head			X
Not Shown		A-04380-0011	Assembly, Hopper Chute			X
		CBL-30489-0001	Cable, Coin IO			X
		E-00947-0018	Diverter Coil			X
		M-03104-0001	Link, Plastic Coin Diverter			X
		P-02891-0005	Retaining Ring, .219 x .025			X
		P-06004-0054	Cover, Optic Board			X
		P-09319-0458	Bracket, Optic Block, Narrow			X
		P-09322-0209	Side Plate, Diverter, Narrow			X
		S-00231-1031	Spacer, Plastic, Diverter Link			X
		SP-00200-0246	Spring, Compression			X
		TFPP-00632-1103	Screw			X
		TFPP-00832-1116	Screw			X
		TFPP-00832-1104	Screw			X
		TFPP-00832-1108	Screw			X

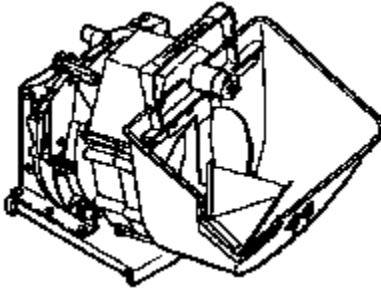


Coin Handling Parts

Hopper Assembly

AS-06793-(SERIES)

☑ V8717 ☑ V8719

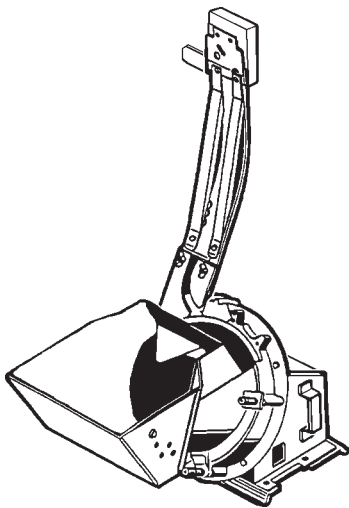


PART #	DESCRIPTION	DIMENSIONS				V8717	V8719	SLANT
		INCH	MM	INCH	MM			
AS-06793-3015	Hopper with Mixer	0.658	16.713	0.747	18.974	X	X	
AS-06793-3008	Hopper with Mixer	0.748	18.999	0.835	21.209	X	X	
AS-06793-3004	Hopper with Mixer	0.836	21.234	0.902	22.911	X	X	
AS-06793-3001	Hopper with Mixer	0.903	22.936	1.011	25.679	X	X	
AS-06793-3003	Hopper with Mixer	1.012	25.705	1.131	28.727	X	X	
AS-06793-3005	Hopper with Mixer	1.132	28.753	1.231	31.267	X	X	
AS-06793-3009	Hopper with Mixer	1.232	31.293	1.303	33.096	X	X	
AS-06793-3012	Hopper with Mixer	1.304	33.122	1.348	34.239	X	X	
AS-06793-3014	Hopper with Mixer	1.349	34.265	1.397	35.484	X	X	
AS-06793-3002	Hopper with Mixer	1.398	35.509	1.500	38.100	X	X	
AS-06793-3011	Hopper with Mixer	1.501	38.125	1.580	40.132	X	X	
AS-06793-3030	Hopper with Mixer	1.581	40.157	1.648	41.859	X	X	
AS-06793-3013	Hopper with Mixer	1.649	41.885	1.685	42.799	X	X	
AS-06793-3006	Hopper with Mixer	1.686	42.824	1.783	45.288	X	X	
AS-06793-3007	Hopper with Mixer	1.784	45.314	1.875	47.625	X	X	

|| Hopper Assembly

AS-03105-(SERIES)

☑ Slant



PART #	DIMENSIONS				V8717	V8719	SLANT
	INCH	MM	INCH	MM			
AS-03105-0400	0.787	19.990	0.083	2.108			X
AS-03105-0403	1.213	30.810	0.091	2.311			X
AS-03105-0405	1.138	28.905	0.087	2.210			X
AS-03105-0407	1.244	31.598	0.079	2.007			X
AS-03105-0412	1.343	34.112	0.098	2.489			X
AS-03105-0414	0.933	23.698	0.063	1.600			X
AS-03105-0415	1.020	25.908	0.062	1.575			X
AS-03105-0417	0.845	21.463	0.058	1.473			X
AS-03105-0420	1.095	27.813	0.094	2.388			X
AS-03105-0424	1.004	25.502	0.063	1.600			X
AS-03105-0428	1.700	43.180	0.138	3.505			X
AS-03105-0430	1.550	39.370	0.100	2.540			X
AS-03105-0432	0.956	24.282	0.098	2.489			X
AS-03105-0434	1.375	34.925	0.094	2.388			X
AS-03105-0436	0.984	24.994	0.119	3.023			X
AS-03105-0438	1.205	30.607	0.095	2.413			X
AS-03105-0440	1.650	41.910	0.095	2.413			X
AS-03105-0442	1.050	26.670	0.080	2.032			X
AS-03105-0444	0.896	22.758	0.079	2.007			X
AS-03105-0446	1.040	26.416	0.080	2.032			X
AS-03105-0448	1.124	28.550	0.065	1.651			X
AS-03105-0450	0.800	20.320	0.072	1.829			X
AS-03105-0452	0.985	25.019	0.103	2.616			X
AS-03105-0454	0.807	20.498	0.111	2.819			X
AS-03105-0456	1.121	28.473	0.084	2.134			X
AS-03105-0458	0.906	23.012	0.103	2.616			X
AS-03105-0460	1.025	26.035	0.097	2.464			X
AS-03105-0462	1.120	28.448	0.094	2.388			X
AS-03105-0464	0.980	24.892	0.085	2.159			X
AS-03105-0468	0.944	23.978	0.078	1.981			X
AS-03105-0470	1.060	26.924	0.068	1.727			X
AS-03105-0472	0.966	24.536	0.067	1.702			X
AS-03105-0474	0.900	22.860	0.067	1.702			X
AS-03105-0476	1.125	28.575	0.101	2.565			X
AS-03105-0478	1.410	35.814	0.100	2.540			X
AS-03105-0480	1.175	29.845	0.075	1.905			X
AS-03105-0482	0.911	23.139	0.066	1.676			X
AS-03105-0484	0.802	20.371	0.062	1.575			X
AS-03105-0486	1.064	27.026	0.099	2.515			X
AS-03105-0488	1.065	27.051	0.060	1.524			X
AS-03105-0490	1.003	25.476	0.064	1.626			X
AS-03105-0492	0.957	24.308	0.064	1.626			X
AS-03105-0494	0.877	22.276	0.084	2.134			X
AS-03105-0496	0.955	24.257	0.094	2.388			X
AS-03105-0498	0.916	23.266	0.092	2.337			X
AS-03105-0500	1.015	25.781	0.087	2.210			X
AS-03105-0504	0.739	18.771	0.066	1.676			X
AS-03105-0506	0.837	21.260	0.066	1.676			X
AS-03105-0508	0.778	19.761	0.076	1.930			X
AS-03105-0510	1.250	31.750	0.101	2.565			X
AS-03105-0512	0.952	24.181	0.068	1.727			X
AS-03105-0514	0.940	23.876	0.064	1.626			X
AS-03105-0516	1.706	43.332	0.122	3.099			X

PART #	DIMENSIONS				V8717	V8719	SLANT
	INCH	MM	INCH	MM			
AS-03105-0332	0.957	24.308	0.067	1.702			X
AS-03105-0334	1.205	30.607	0.083	2.108			X
AS-03105-0336	1.465	37.211	0.098	2.489			X
AS-03105-0338	0.985	25.019	0.075	1.905			X
AS-03105-0340	1.750	44.450	0.114-0.138	2.896-3.505			X
AS-03105-0342	1.874	47.600	0.100	2.540			X
AS-03105-0347	0.957	24.308	0.067	1.702			X
AS-03105-0348	1.465	37.211	0.098	2.489			X
AS-03105-0349	0.835	21.209	0.075	1.905			X
AS-03105-0350	0.925	23.495	0.071	1.803			X
AS-03105-0354	1.043	26.492	0.067	1.702			X
AS-03105-0356	1.142	29.007	0.087	2.210			X
AS-03105-0358	0.902	22.911	0.087	2.210			X
AS-03105-0361	1.043	26.492	0.079	2.007			X
AS-03105-0362	0.988	25.095	0.087	2.210			X
AS-03105-0364	1.260	32.004	0.079	2.007			X
AS-03105-0366	1.457	37.008	0.100	2.540			X
AS-03105-0370	1.071	27.203	0.075	1.905			X
AS-03105-0372	1.091	27.711	0.087	2.210			X
AS-03105-0374	1.126	28.600	0.079	2.007			X
AS-03105-0376	1.220	30.988	0.091	2.311			X
AS-03105-0378	1.055	26.797	0.071	1.803			X
AS-03105-0380	1.012	25.705	0.094	2.388			X
AS-03105-0385	1.102	27.991	0.079	2.007			X
AS-03105-0387	1.098	27.889	0.083	2.108			X
AS-03105-0389	1.024	26.010	0.075	1.905			X
AS-03105-0394	1.047	26.594	0.102	2.591			X

Printers

E-01030-(SERIES)

|| Ithaca Thermal Printer
 V8717 V8719

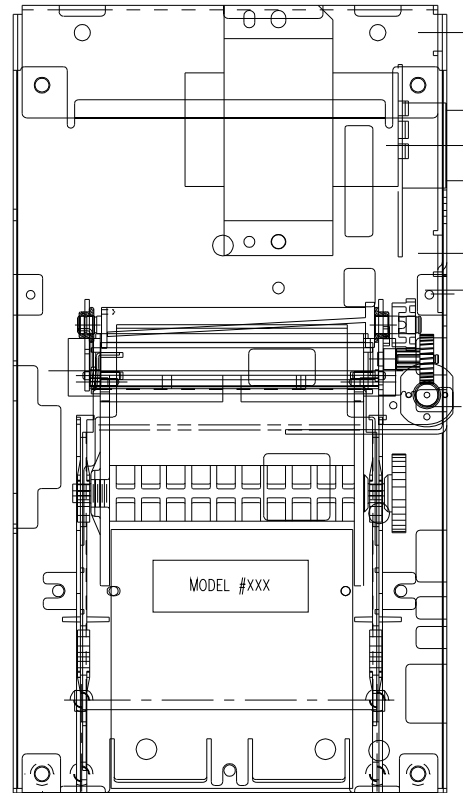
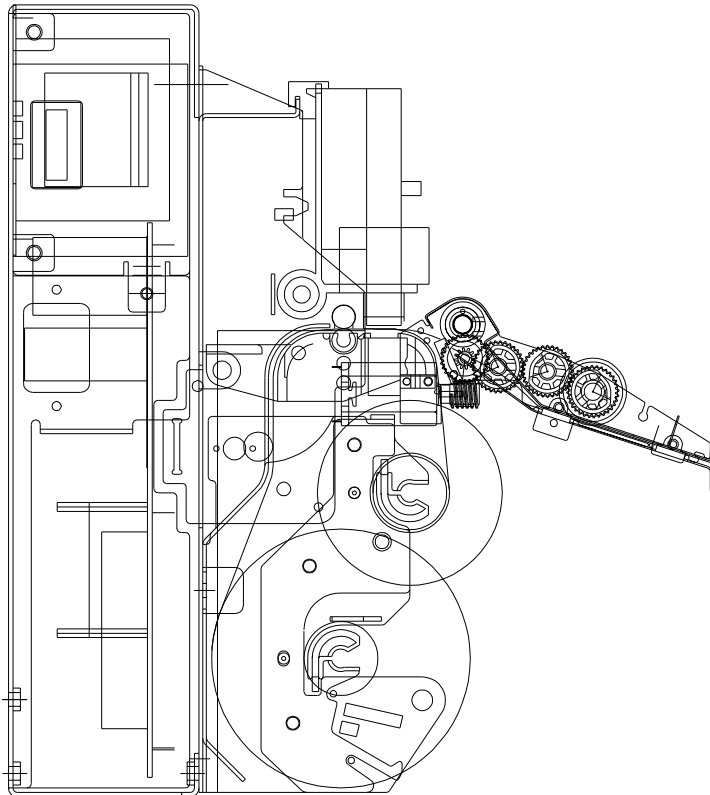
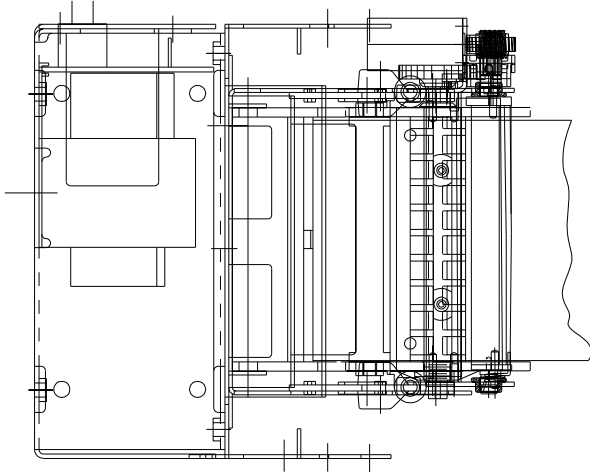
AS-01030-(SERIES)

Model 76, Parrallel, Presenter with Sensor
 E-01030-0010

V8717 V8719

PRINTER SPECIFICATIONS

- Printer System: Dot Matrix Impact
- Printer Direction: Bi-Directional
- Character Sets: IBM Sets I and II
- Character Pitch: 17 to 8.5, Opt: 24.0
- Print Speed: 200-100 C/S
- Paper Characteristics: 3.25" W x 3.5" D x .003 Thk, 2-Ply
- Ink: Cartridge (Ribbin), Black (1.6 Million)
- Paper Cutting: 1 Million Cut Life, .002-.007 Ply Full Cut Only
- Operating Conditions: 5°C-40°C Temp, 20%-90% Relative Humidity (Non-Condensing)
- Electrical Requirements: 120VAC±10%, 50Hz, 37W Nominal
- Spindle: To Be Compatible with 7/16" Paper Cores
- Interface Standards: Parallel
- Electrical Cable: None Required





Printers E-01030-(SERIES)

|| Ithaca Thermal Printer (Cont.) AS-01030-(SERIES)

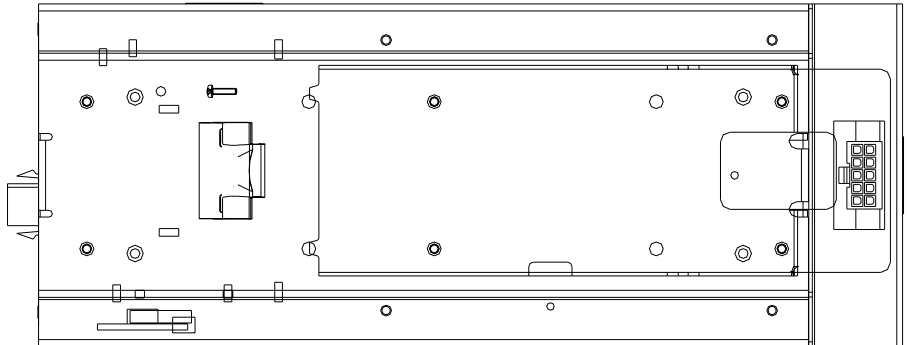
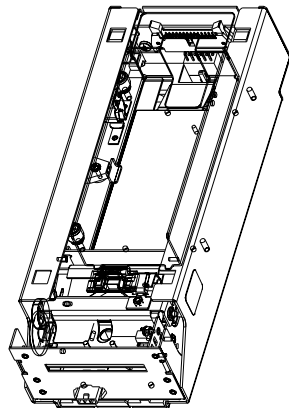
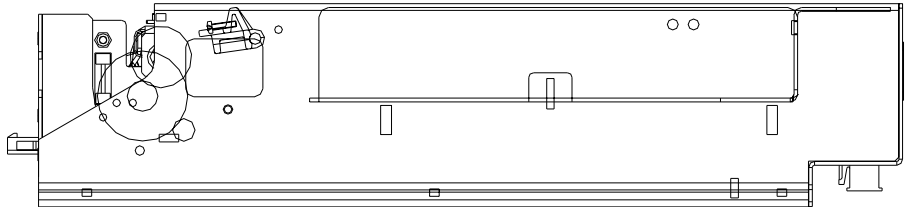
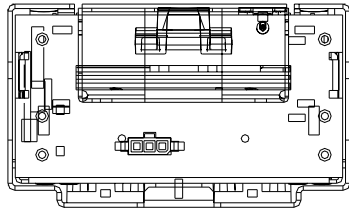
☑ V8717 ☑ V8719



Thermal printers must have the baud rate set to 9600.

AVAILABILITY:

PART #	DESCRIPTION	V8717	V8719	SLANT
E-01030-1613	Ithaca M850 Printer (EPROM), 600 Ticket Tray	X	X	X
E-01030-2613	Ithaca M850 Printer (Flash), 600 Ticket Tray	X	X	X
E-01030-1614	Ithaca M860 Printer (EPROM), 600 Ticket Tray	X	X	X
E-01030-2614	Ithaca M860 Printer (Flash), 600 Ticket Tray	X	X	X

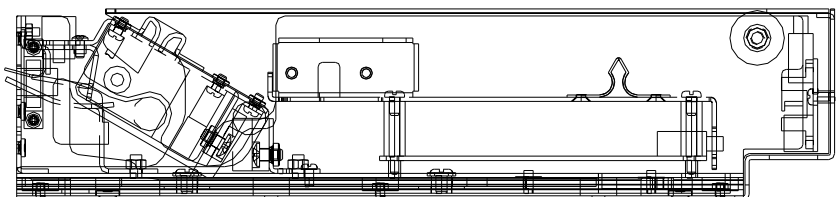
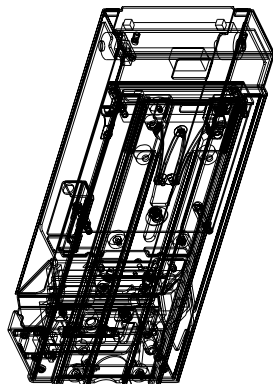
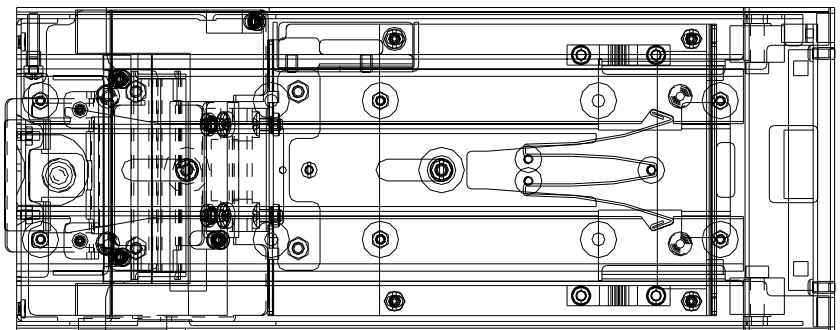
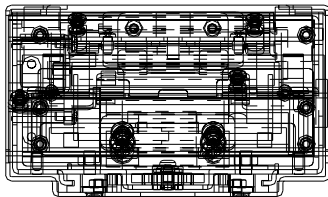


|| Seiko Thermal Printer, PSA-66-ST AS-01030-(SERIES)

☑ V8717 ☑ V8719 ☑ Slant



Seiko PSA-66-ST thermal printers must have a firmware version of 1.0.r.0.0 or later.



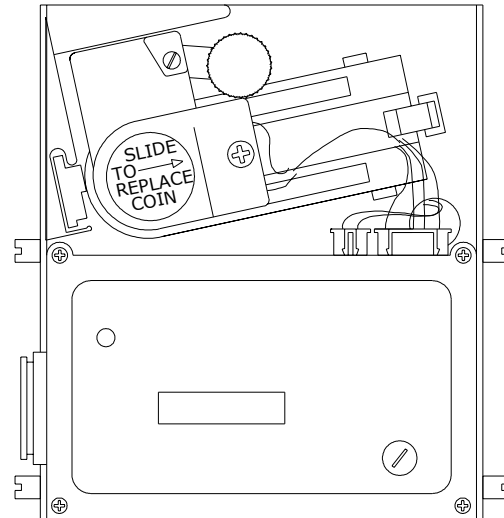
Coin Acceptor Selections

Coin Mechanisms, Inc. RFI CC-16 E-00887-02XX

☑ V8717 ☑ V8719 ☑ Slant

PART #	DENOMINATION(S)	STYLE	WEIGHT (GRAMS)	V8717	V8719	SLANT
E-00887-0201	5¢ / 25¢ US	S	4.4 - 6.8	X	X	X
E-00887-0202	\$5 / \$25 Token	WB	19.7+	X	X	
E-00887-0203	\$1 US	S	19.7+	X	X	
E-00887-0204	\$10 Token	WB	19.7+	X	X	
E-00887-0205	50¢ US / 5FF	S	4.4 - 6.8	X	X	
E-00887-0207	\$4 Token	S		X	X	
E-00887-0208	\$100 Token	WB	19.7+	X	X	
E-00887-0209	10¢ US	S		X	X	
E-00887-0210	50¢ Esc Token	S	5.5 - 7.4	X	X	

PART #	DIAMETER		THICKNESS (MAXIMUM)		V8717	V8719	SLANT
	IN	MM	IN	MM			
E-00887-0201	.700 - 1.250	17.78 - 31.75	.085	2.159	X	X	X
E-00887-0202	1.550 - 1.950	39.37 - 49.53	.130	3.302	X	X	
E-00887-0203	.700 - 1.550	17.78 - 39.37	.115	2.921	X	X	
E-00887-0204	1.550 - 1.950	39.37 - 49.53	.140	3.556	X	X	
E-00887-0205	.770 - 1.550	19.558 - 39.37	.085	2.159	X	X	
E-00887-0207					X	X	
E-00887-0208			.130	3.302	X	X	
E-00887-0209					X	X	
E-00887-0210	.700 - 1.250	17.78 - 31.75	.140	3.556	X	X	

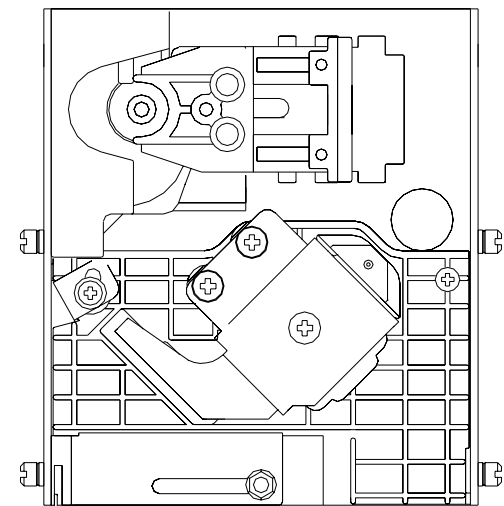


Coin Mechanisms, Inc. CC-16

Coin Mechanisms, Inc. IC-16 E-00887-1XXX

☑ V8717 ☑ V8719

PART #	DENOM	STYLE	DIAMETER		THICKNESS		V8717	V8719	SLANT
			IN	MM	IN	MM			
E-00887-1021	\$5	Wide	1.750	44.450	0.120	3.048	X	X	
E-00887-1022	\$10	Wide	1.700	43.180	0.135	3.429	X	X	
E-00887-1023	\$25	Wide	1.850	46.990	0.105	2.667	X	X	
E-00887-1024	\$100	Wide	1.600	40.640	0.080	2.032	X	X	
E-00887-1025	\$500	Wide	1.549	39.345	0.090	2.286	X	X	
E-00887-1026	\$1,000	Wide	1.850	46.990	0.108	2.743	X	X	
E-00887-1027	\$5	Wide	1.750	44.450	0.120	3.048	X	X	
E-00887-1028	\$5	Wide	1.755	44.577	0.122	3.099	X	X	
E-00887-1029	\$10	Wide	1.700	43.180	0.136	3.454	X	X	
E-00887-1030	\$25	Wide	1.650	41.910	0.100	2.540	X	X	
E-00887-1031	\$50	Wide	1.812	46.025	0.115	2.921	X	X	
E-00887-1032	\$100	Wide	1.600	40.640	0.080	2.032	X	X	
E-00887-1036	\$5	Wide	1.750	44.450	0.125	3.175	X	X	
E-00887-1037	\$10	Wide	1.700	43.180	0.120	3.048	X	X	
E-00887-1038	\$25	Wide	1.875	47.625	0.105	2.667	X	X	
E-00887-1039	\$5						X	X	
E-00887-1040	\$500						X	X	
E-00887-1041	\$1,000		1.875	47.625			X	X	
E-00887-1066	\$1	Narrow	1.469	37.313	0.101	2.565	X	X	
E-00887-1067	\$2	Narrow	1.340	34.036	0.100	2.540	X	X	
E-00887-1068	\$1	Narrow	1.469	37.313	0.101	2.565	X	X	
E-00887-1069	\$2	Narrow	1.340	34.036	0.100	2.540	X	X	
E-00887-1071	50¢	Narrow	1.170	29.718	0.075	1.905	X	X	
E-00887-1072	\$1	Narrow	1.000	25.400	0.075	1.905	X	X	
E-00887-1073	\$2	Narrow	1.125	28.575	0.101	2.565	X	X	
E-00887-1074	\$1	Narrow	1.469	37.313	0.101	2.565	X	X	
E-00887-1075	\$2	Narrow	1.340	34.036	0.100	2.540	X	X	
E-00887-1086	1E		1.006		0.089		X	X	

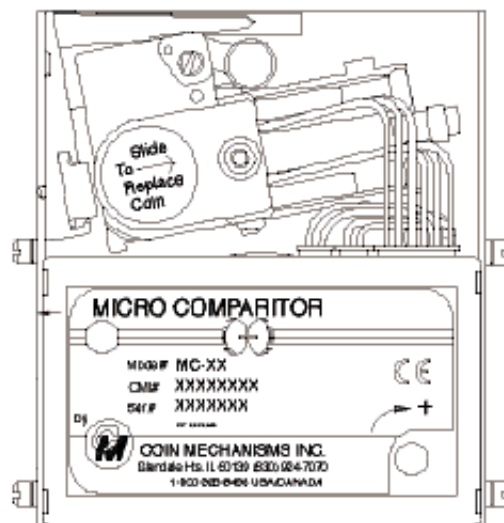


Coin Mechanisms, Inc. IC-16

Coin Mechanisms, Inc. MC-16 E-00887-6XXX

☑ V8717 ☑ V8719

PART #	WEIGHT (GRAMS)	DENOMINATION	V8717	V8719	SLANT
E-00887-6001	0.70	1¢	X	X	
E-00887-6002	2.60	5¢	X	X	
E-00887-6003	0.70	10¢	X	X	
E-00887-6004	6.00	25¢	X	X	
E-00887-6005	14.2	50¢ / \$1 Token	X	X	
E-00887-6008	9.00	50¢ Token	X	X	



Coin Mechanisms, Inc. MC-16



Coin Acceptor Selections

Coin Controls, Inc. Condor

E-00887-2XXX

☑ V8717 ☑ V8719



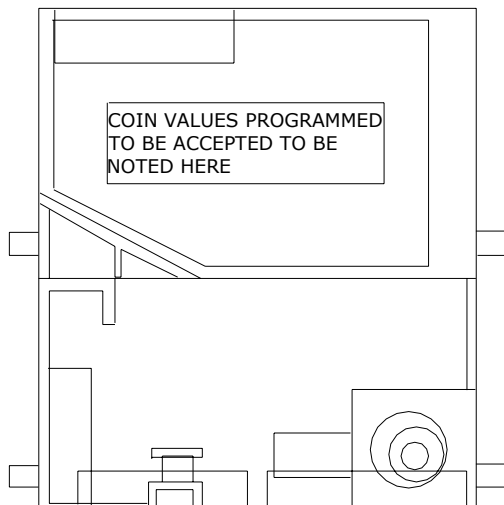
PART #	DENOMINATION	DIAMETER		THICKNESS		COMPAT
		IN	MM	IN	MM	
E-00887-2001	50¢ Token	0.866	22.0	0.079	2.00	CC16
E-00887-2002	25¢	0.787	20.0	0.067	1.70	CC16
E-00887-2003	50¢ Token	0.866	22.0	0.074	1.87	CC16
E-00887-2004	1 Rand Token	1.096	27.8	0.089	2.27	CC16
E-00887-2005	1 Rand	0.945	24.0	0.079	2.00	CC16
E-00887-2006	2 Rand	0.906	23.0	0.102	2.60	CC16
E-00887-2007	Any	1.260	> 32.0	0.110	> 2.80	CC16
E-00227-2010	5 Rand Token	1.024	26.0	0.071	1.80	CC16
E-00887-2012	Any	1.496	> 38.0	0.110	> 2.80	CC16
E-00887-2013	Monte Carlo 50C	0.866	22.0	0.073	1.85	CC16
E-00887-2014	Monte Carlo 1 Rand	0.945	24.0	0.079	2.00	CC16
E-00887-2015	Monte Carlo 2 Rand	0.906	23.0	0.102	2.60	CC16
E-00887-2016	Monte Carlo 5 Rand	1.024	26.0	0.094	2.40	CC16
E-00887-2017	Monte Carlo 10 Rand	1.122	28.5	0.094	2.40	CC16
E-00887-2024	25¢	0.787	20.0	0.067	1.70	CC16

PART #	PROGRAM	COUNTRY	V8717	V8719	SLANT
E-00887-2001	Fixed	South Africa	X	X	
E-00887-2002	Fixed	South Africa	X	X	
E-00887-2003	Fixed	South Africa	X	X	
E-00887-2004	Fixed	South Africa	X	X	
E-00887-2005	Fixed	South Africa	X	X	
E-00887-2006	Fixed	South Africa	X	X	
E-00887-2007	Programmable	Any	X	X	
E-00227-2010	Fixed	South Africa	X	X	
E-00887-2012	Programmable	Any	X	X	
E-00887-2013	Fixed	South Africa	X	X	
E-00887-2014	Fixed	South Africa	X	X	
E-00887-2015	Fixed	South Africa	X	X	
E-00887-2016	Fixed	South Africa	X	X	
E-00887-2017	Fixed	South Africa	X	X	
E-00887-2024	Fixed	South Africa	X	X	

National Rejectors, Inc.

E-00887-45XX

☑ V8717 ☑ V8719



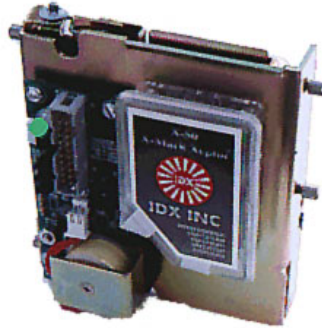
PART #	CN = Canadian DM = German Mark F = French Franc SwK = Swedish Kroner SwF = Swiss Franc HG = Holland Guilder FM = Finland Markka EU = Euro DK = Denmark Droner P = Philippines Pesco CF = Chile Ficha UF = Uruguay Ficha							V8717	V8719	SLANT
	CH1	CH2	CH3	CH4	CH5	CH6				
E-00887-4501	.05 US							X	X	
E-00887-4502	.10 US							X	X	
E-00887-4503	.50 US							X	X	
E-00887-4504	1.00 US							X	X	
E-00887-4505	.05 CA							X	X	
E-00887-4506	.25 CA							X	X	
E-00887-4507	1.00 CA							X	X	
E-00887-4508	2.00 CA							X	X	
E-00887-4509	2 DM							X	X	
E-00887-4510	5 DM							X	X	
E-00887-4511	1 FF							X	X	
E-00887-4512	2 FF							X	X	
E-00887-4513	5 FF							X	X	
E-00887-4514	1 SwK							X	X	
E-00887-4515	.25 HG							X	X	
E-00887-4516	1 HG							X	X	
E-00887-4517	1 DK							X	X	
E-00887-4518	2 P							X	X	
E-00887-4519	1 CF							X	X	
E-00887-4520	2 CF							X	X	
E-00887-4521	1 UF							X	X	
E-00887-4522	3 UF							X	X	
E-00887-4523	50SwF							X	X	
E-00887-4524	1SwF							X	X	
E-00887-4525	50EU							X	X	
E-00887-4526	1EU							X	X	
E-00887-4527	2EU							X	X	

Coin Acceptor Selections

IDX

V8717 V8719 Slant

E-X(SERIES)



PART #	DESCRIPTION	V8717	V8719	SLANT
E-X10C-C480136	IDX X10, 1.28/1.35D, .087T, CC-16	X	X	
E-X10C-C480536	IDX X10, .84/910D, .087T, CC-16	X	X	
E-X10C-C480636	IDX X10, .80/870D, .087T, CC-16	X	X	
E-X10C-C481231	IDX X10, 1.18/1.25D, .097T, CC-62			
E-X10C-C481236	IDX X10, 1.18/1.25D, .097T, CC-16	X	X	
E-X10C-C481731	IDX X10, 1.035/1.105, .097, CC-62			
E-X10C-C8B1436	IDX X10, .928/998, .097T, CC-16	X		
E-X12C-C480436	IDX X10, .928/998D, .087T, CC-16	X		
E-X10C-C482136	IDX X10, 1.28/1.35D, .110T, CC-16	X	X	
E-X10C-C483036	IDX X10, 1.2/1.46D, .116T, CC-16	X	X	
E-X10C-C483136	IDX X10, 1.28/1.35D, .116T, CC-16	X	X	
E-X10C-C8B0436	IDX X10, .928/998, CC-16 (Canada)		X	
E-X10C-C8B0536	IDX X10, .890/910, CC-16 (Canada)		X	
E-X10C-C8B1436	IDX X10, .928/998, .097T, CC-16		X	X
E-X10C-C8B2A31	IDX X10, 1.118/1.188D, CC-62 (Canada)	X	X	
E-X10C-C8B2A36	IDX X10, 1.118/1.188D, CC-16 (Canada)	X	X	
E-X10C-C8B4636	IDX X10, .800/870D,X1, CC-16 (Canada)	X	X	
E-X12C-C484636	IDX X10, .800/870D, .092T, CC-16	X	X	
E-X14C-C480436	IDX X10, .928/998D, .087T, CC-16	X	X	
E-X70A-C8B0236	IDX X70, 1.7/1.87D, .110T, CC-16W	X	X	
E-X70A-C8B1236	IDX X70, 1.7/1.87D, .130T, CC-16W	X	X	
E-X70A-C8B2136	IDX X70, 1.55/1.7D, .150T, CC-16W	X	X	
E-X70A-C8B2236	IDX X70, 1.7/1.87D, .150T, CC-16W	X	X	
E-X72A-C8B0136	IDX X70, 1.55/1.7D, .110T, CC-16W	X	X	
E-X74A-C8B0136	IDX X70, 1.55/1.7D, .110T, CC-16W	X	X	



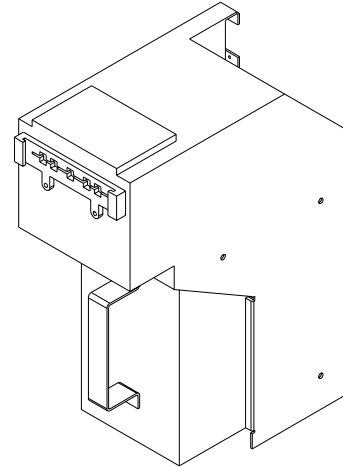
Bill Acceptor Selections

| JCM WBA

E-01100-(SERIES)

V8717 V8719 Slant

PART #	DESCRIPTION	GUIDE PART #	V8717	V8719	SLANT
E-01100-0005	JCM WBA-12-SS/XXX-501-03	GJ-04000-0001	X	X	X
E-01100-0006	JCM WBA-13-SS/XXX-501-03	GJ-04000-0001	X	X	X
E-01100-0007	JCM WBA-25-SS/XXX-501-03	N/A	X	X	X
E-01100-0008	JCM WBA-22-SS/CAN-502-03	GJ-04000-0002	X	X	
E-01100-0009	JCM WBA-23-SS/CAN-502-03	GJ-04000-0002	X	X	X
E-01100-0010	JCM WBA-24-SSA/EUR-505-03-015	N/A	X	X	X
E-01100-0011	JCM WBA-12-SS-XXX-501I03-015	GJ-04000-0001	X	X	X
E-01100-0012	JCM WBA-13-SS-XXX-501I03-015	GJ-04000-0001	X	X	X



JCM WBA Bill Acceptor

|| GPT

E-01120-(SERIES)

V8717 V8719

PART #	DESCRIPTION	COUNTRY	V8717	V8719
E-01120-0001	Wide	Malaysia	X	X
E-01120-0002	Wide	Austria	X	X
E-01120-0003	Narrow	Usa	X	X
E-01120-0005	Wide	Germany	X	X
E-01120-0006	Narrow	Russia	X	X
E-01120-0007	Wide	Finland	X	X
E-01120-0008	Wide	Belgium	X	X
E-01120-0010	Narrow	South Africa	X	X
E-01120-0011	Wide	Greece	X	X
E-01120-0012	Wide	Malta with Barcode	X	X
E-01120-0013	Wide	Uruguay	X	X
E-01120-0014	Wide	Slovenia	X	X
E-01120-0015	Narrow	Philippines	X	X
E-01120-0020	Narrow (Argus)	Worldwide	X	X
E-01120-0021	Wide (Argus)	Worldwide	X	X



GPT Bill Acceptor

|| Mars

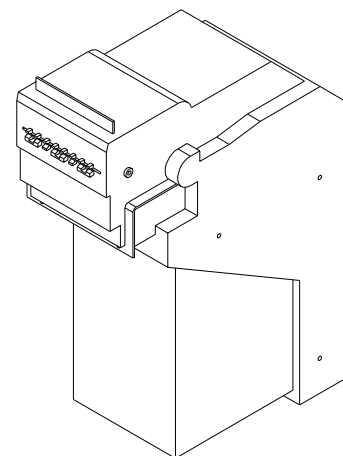
E-21100-(SERIES)

V8717 V8719 Slant

PART #	DESCRIPTION	VERSION	V8717	V8719	SLANT
E-21100-0001	ZT1105-US 67-71MM	Flash	X	X	X
E-21100-0002	ZT1204-US 67-71MM	Flash	X	X	X
E-21100-0003	ZT1105P-US 67-71MM	EPROM	X	X	X
E-21100-0004	ZT1204P-US 67-71MM	EPROM	X	X	X



Mars bill acceptors include one cash box (Part # E-00983-0041).



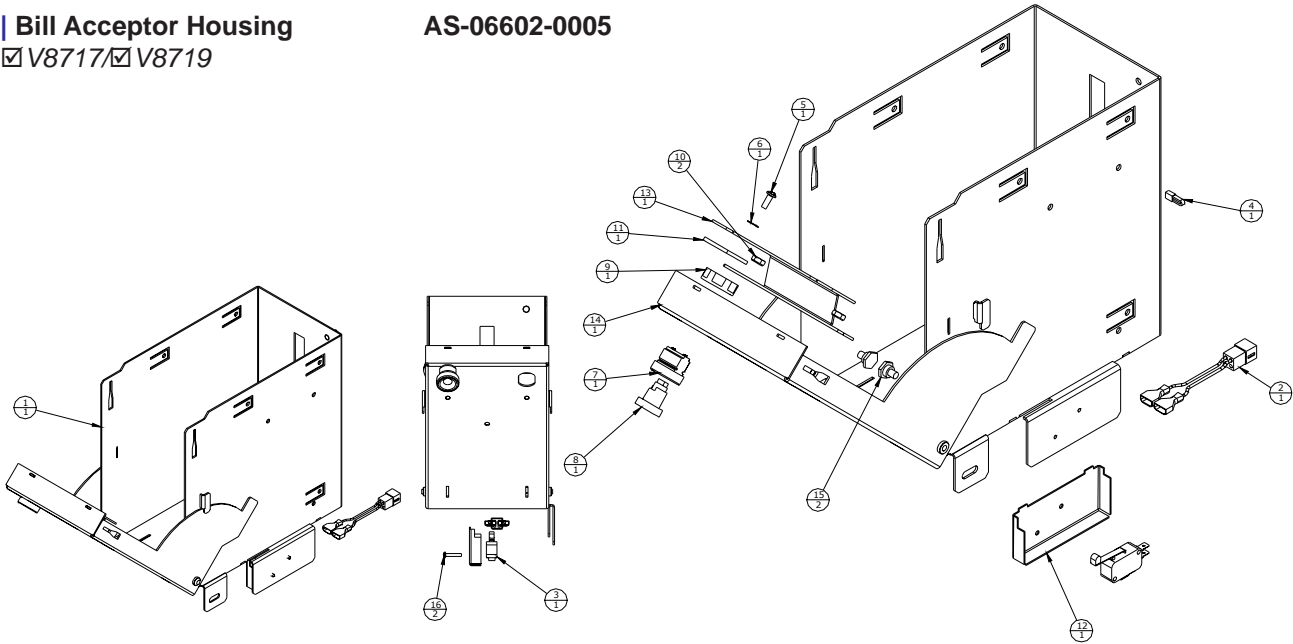
Mars Bill Acceptor

Bill Acceptor Selections

Bill Acceptor Housing

AS-06602-0005

☑ V8717 / ☑ V8719



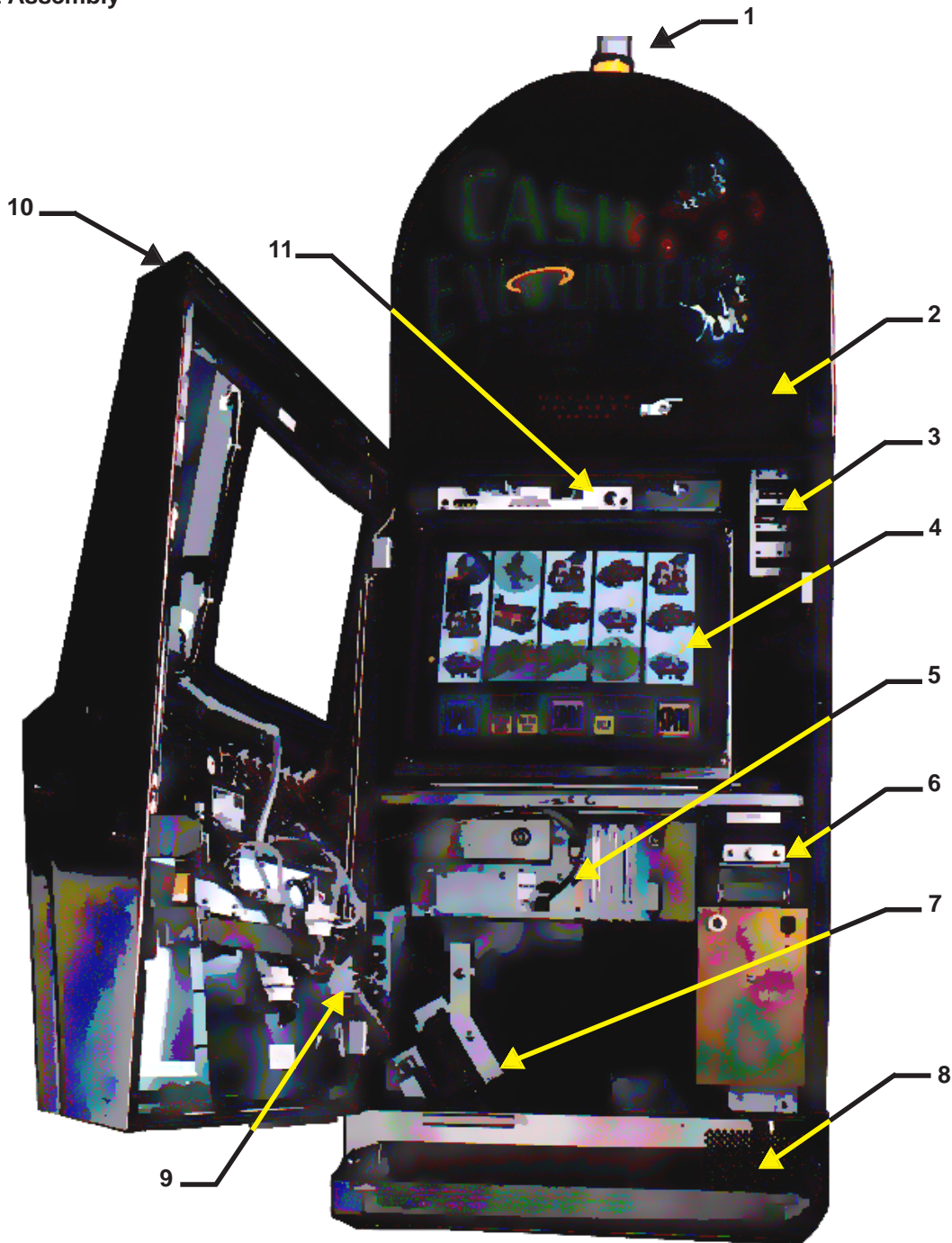
REF	PART #	DESCRIPTION	QTY
1	A-06511-0008	Housing, Bill Acceptor, JCM/Mars/Ardac	1
2	CBL-20214-0001	Cable, Bill Acceptor Switch	1
3	E-00108-367A	Switch, Snap Action, E21-50k	1
4	E-00647-0004	Tie Wrap	1
5	HLP-00600-1106	Screw, Hi-Lo, Phil Pan Hd	1
6	M-01700-0006	Lock Washer, External Tooth	1
7	M-01757-0014	Housing, Lock, Plastic	1
8	M-01757-0015	Cylinder, Lock, Plastic	1

REF	PART #	DESCRIPTION	QTY
9	M-01757-0016	Nut, Lock Housing, Plastic	1
10	NLS-00632-1112	Hex Nut	2
11	P-00758-0155	Cam, Bill Acceptor Door Lock, JCM/Mars/Ardac	1
12	P-06006-0001	Cover, Door Switch	1
13	P-06006-0002	Cover, Lock, JCM/Mars/Ardac	1
14	P-06008-0001	Housing, Cover	1
15	S-02028-0001	Screw, Shoulder, Front Door CBV	2
16	TFPP-00440-1110	Screw, 4-40 X 5/8 Thd Form Phil Pan Hd	2



EVO™ V8717 / V8719

Cabinet Assembly



ITEM	PART #	DESCRIPTION	PAGE
1	TWR (SERIES)	Tower Selections	29
2	E-01030-(SERIES)	Printer	10
3	AS-04225-(SERIES)	Meter Assembly	31
4	E-00832-(SERIES)	Monitor	34
5	AS-06901-0010	Pentium® PC Assembly	20
7	AS-05998-(SERIES)	Coin Tray/Back Plate Assembly	54
8	AS-06793-(SERIES)	Hopper	9

ITEM	PART #	DESCRIPTION	PAGE
9	AS-03025-(SERIES)	Cabinet Cable Assembly	18
10	AS-08514-(SERIES)	V8717 Door Assembly	37
	AS-07210-(SERIES)	V8719 Door Assembly	39
11	AS-06902-(SERIES)	IOP/Tray Assembly	23
	AS-04238-(SERIES)	Power Supply	24
	AS-03268-(SERIES)	Convenience Outlet	28
Not Shown	E-00126-(SERIES)	Line Cord	27

EVO™ V8717 / V8719

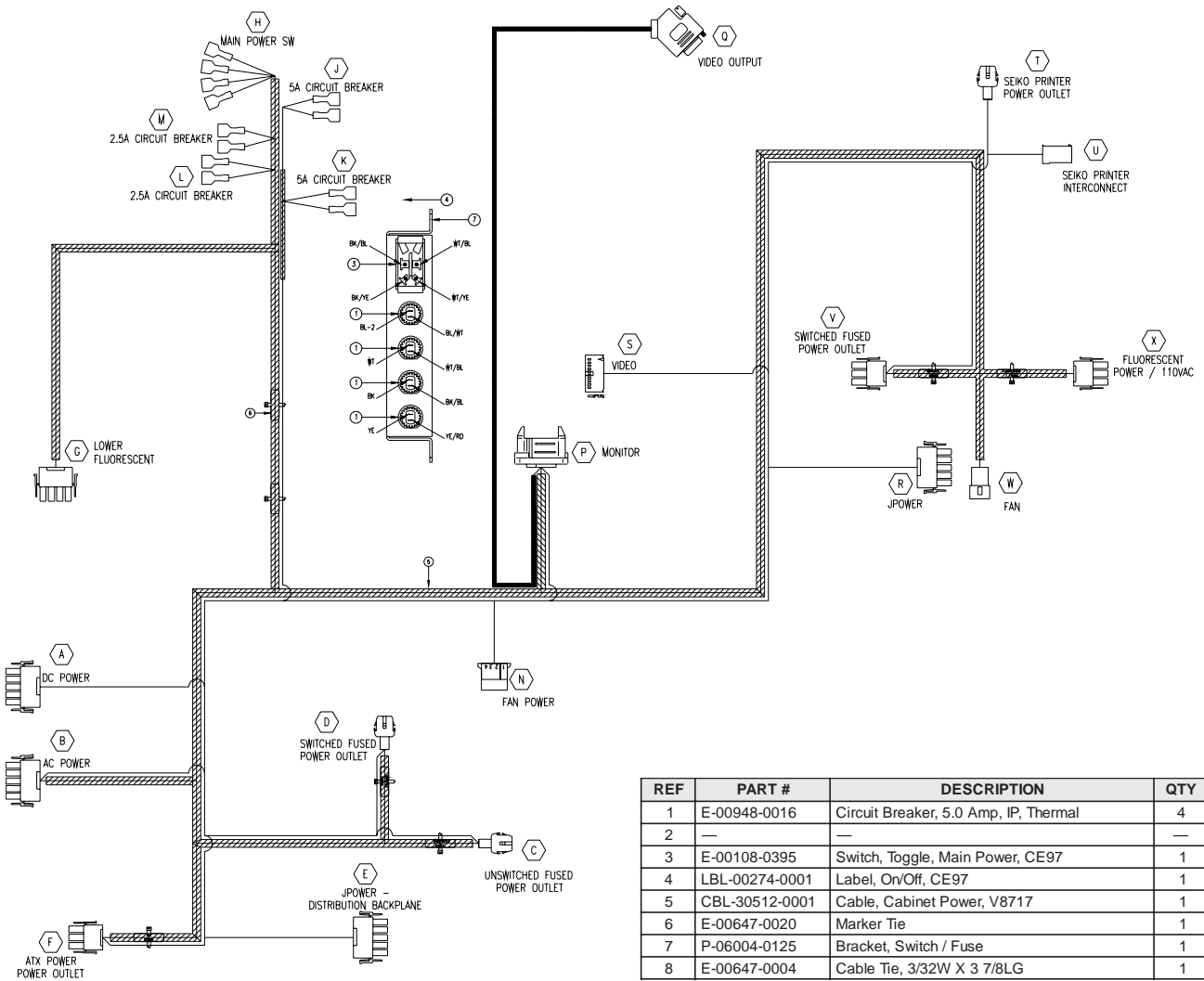
Cabinet Assembly

Cabinet Cable Assembly
 V8717 / V8719 / Slant

AS-03025-(SERIES)

Cabinet Cable Assembly
 AS-03025-0163

V8717



REF	PART #	DESCRIPTION	QTY
1	E-00948-0016	Circuit Breaker, 5.0 Amp, IP, Thermal	4
2	—	—	—
3	E-00108-0395	Switch, Toggle, Main Power, CE97	1
4	LBL-00274-0001	Label, On/Off, CE97	1
5	CBL-30512-0001	Cable, Cabinet Power, V8717	1
6	E-00647-0020	Marker Tie	1
7	P-06004-0125	Bracket, Switch / Fuse	1
8	E-00647-0004	Cable Tie, 3/32W X 3 7/8LG	1



EVO™ V8717 / V8719

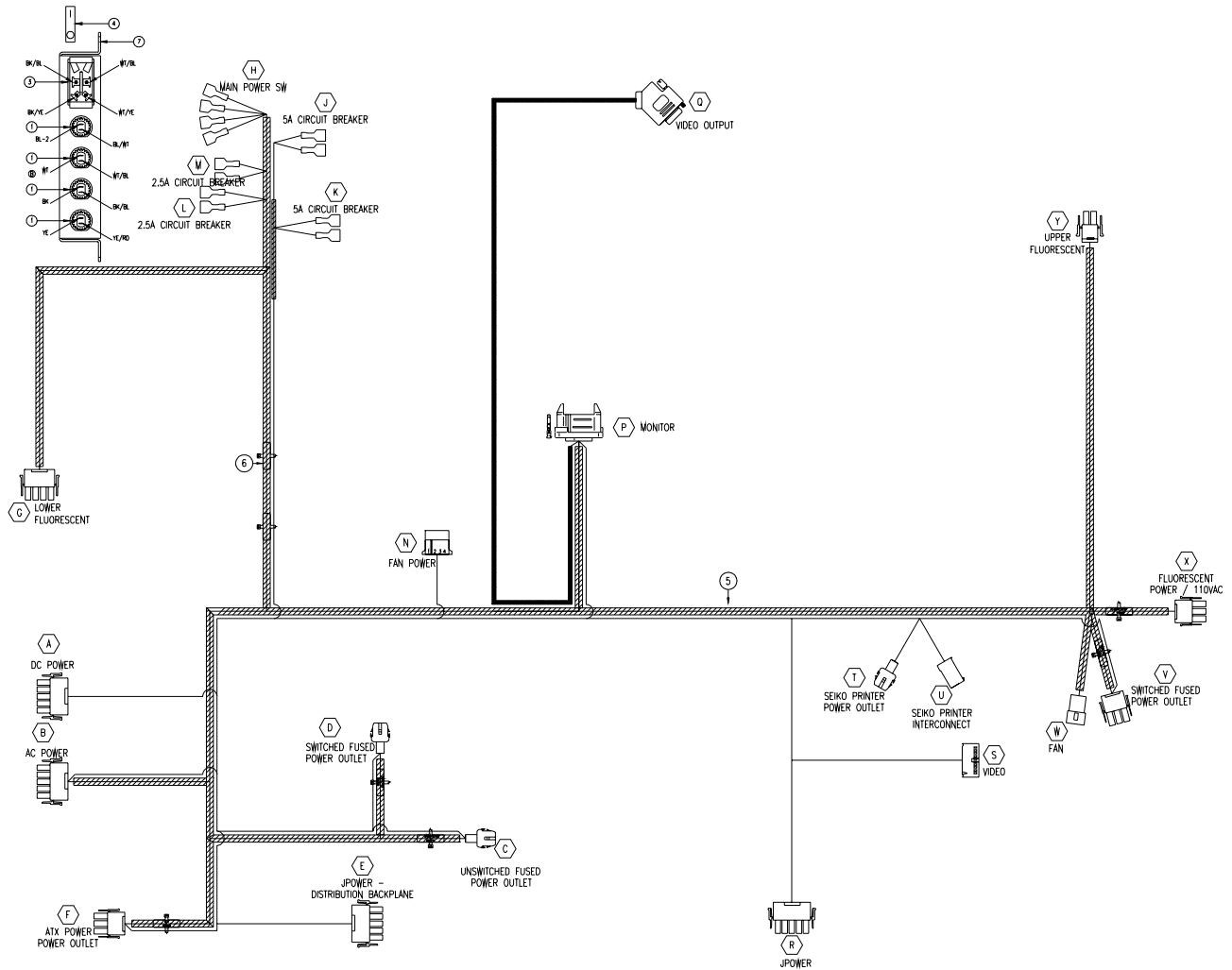
Cabinet Assembly

Cabinet Cable Assembly (Cont.) AS-03025-(SERIES)

☑ V8717/☑ V8719/☑ Slant

Cabinet Cable Assembly
AS-03025-0164

☑ V8719



REF	PART #	DESCRIPTION	QTY
1	E-00948-0016	Circuit Breaker, 5.0 Amp, IP, Thermal	4
2	—	—	—
3	E-00108-0395	Switch, Toggle, Main Power, CE97	1
4	LBL-00274-0001	Label, On/Off, CE97	1
5	CBL-30513-0001	Cable, Cabinet Power, V8719	1
6	E-00647-0020	Marker Tie	1
7	P-06004-0125	Bracket, Switch / Fuse	1
8	E-00647-0004	Cable Tie, 3/32W X 3 7/8LG	1

EVO™ V8717 / V8719

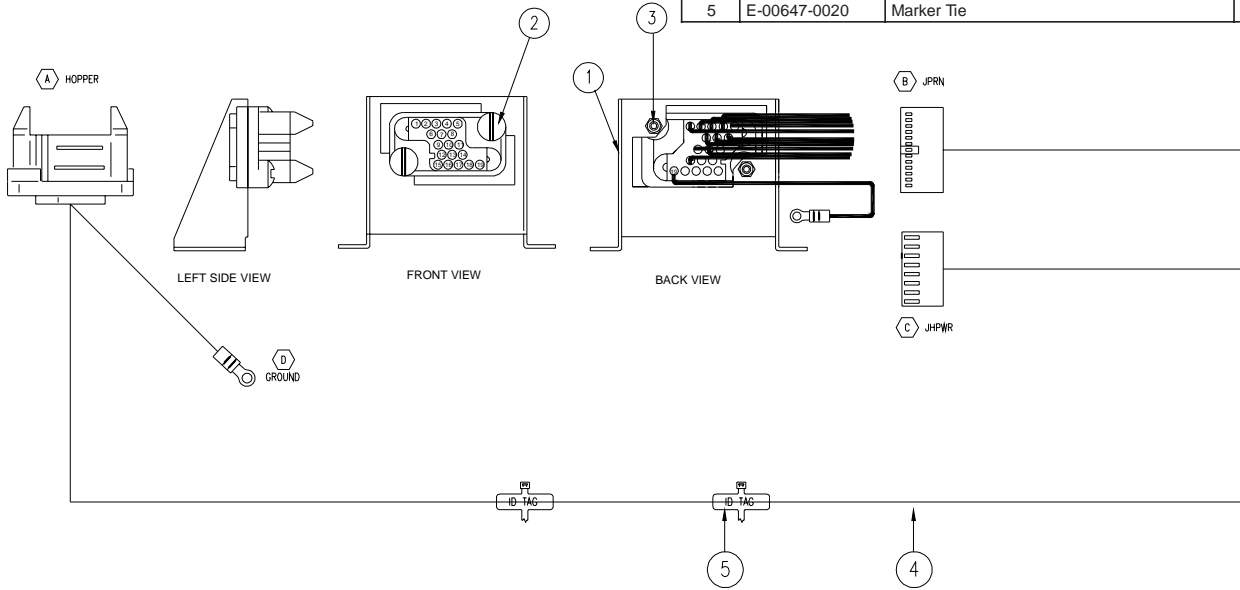
Cabinet Assembly

Hopper Cable Assembly

☑ V8717/☑ V8719

AS-03025-0155

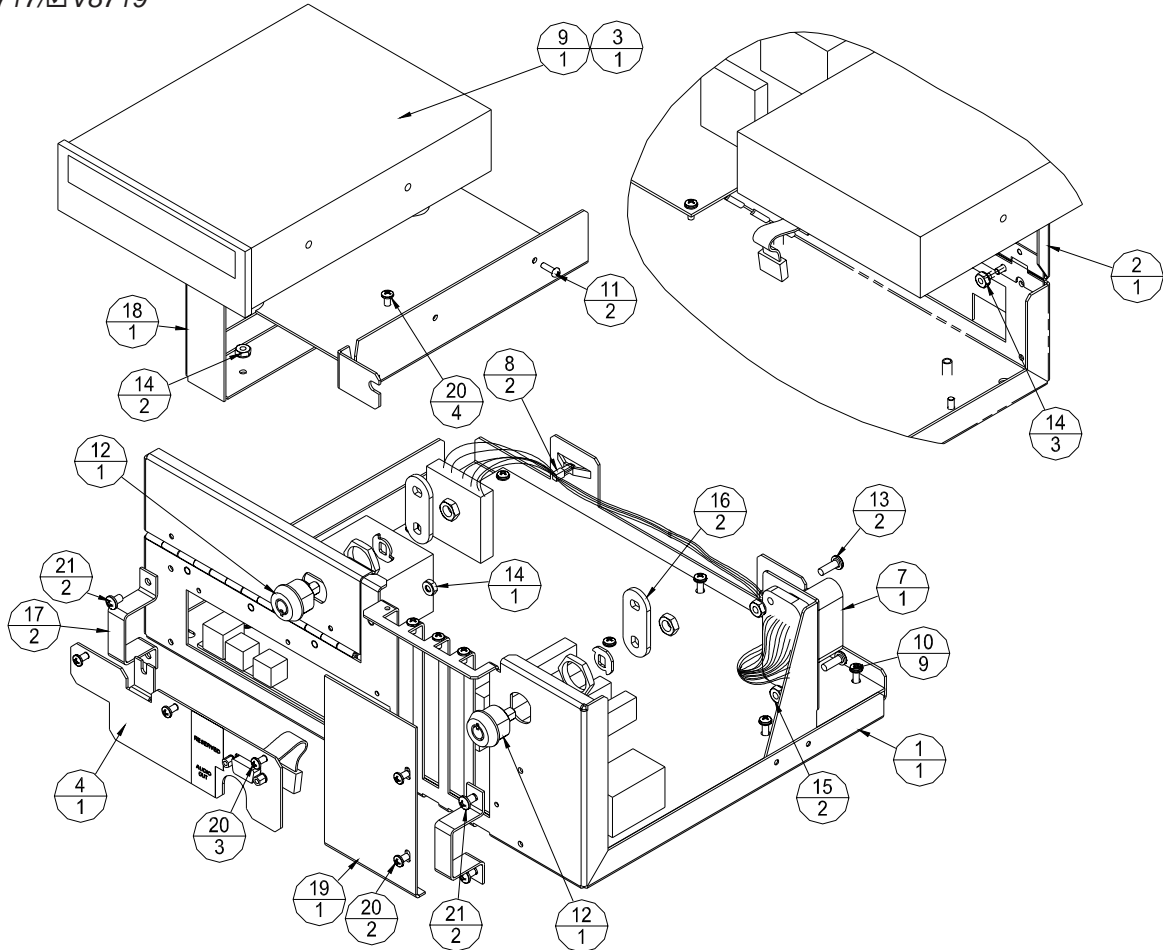
REF	PART #	DESCRIPTION	QTY
1	P-09264-001A	Bracket, Hopper Plug	1
2	M-03063-001A	Screw, Shoulder	2
3	M-03064-001A	Nut, Hex, Metric, M4 x 0.7, Zinc	2
4	CBL-30227-0003	Cable, Hopper	1
5	E-00647-0020	Marker Tie	1



Pentium® PC Assembly

☑ V8717/☑ V8719

AS-06901-0010





EVO™ V8717 / V8719

Cabinet Assembly

Pentium® PC Assembly (Cont.) AS-06901-0010

☑ V8717/☑ V8719

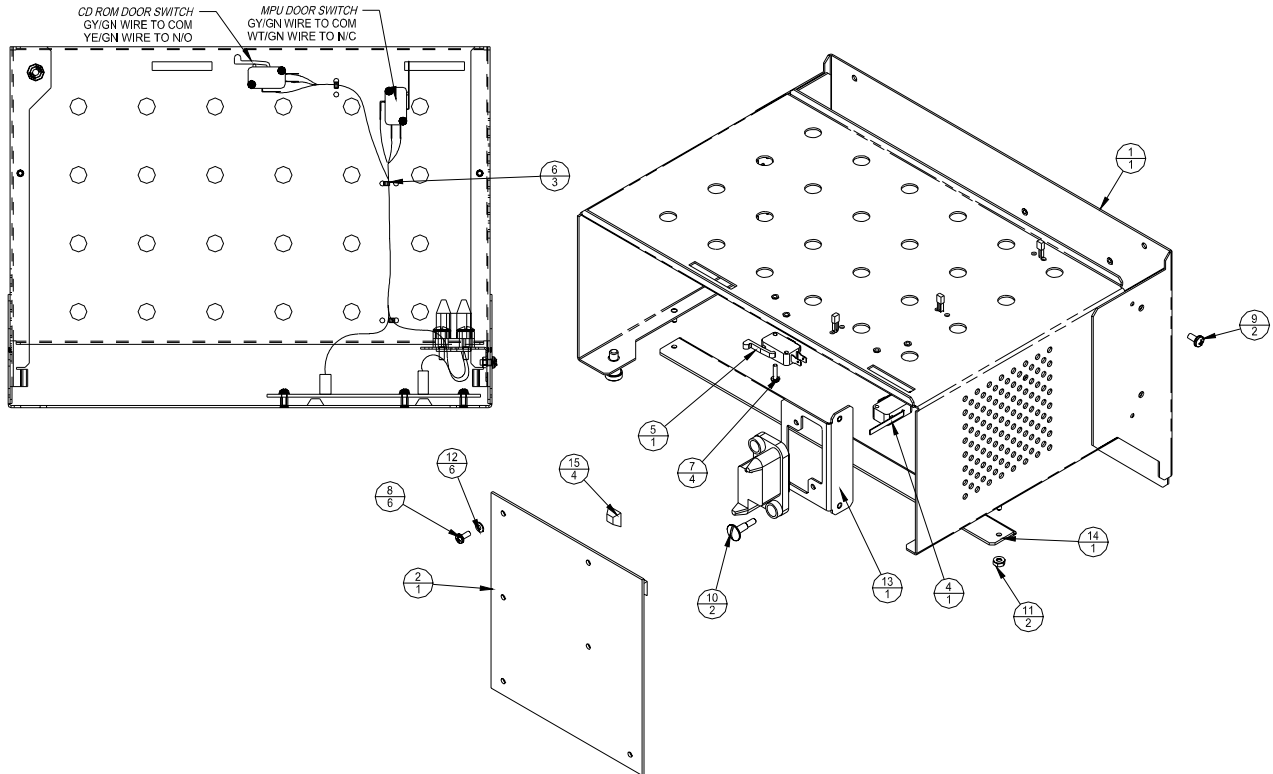
REF	PART #	DESCRIPTION	QTY
1	A-06901-0008	PC Tray Assembly	1
2	A-06901-0009	CD ROM Access Door Assembly	1
3	AS-02988-0229	Ribbon Cable Assembly, IDE (Not Shown)	1
4	AS-03025-0171	Cable PC Connector Assembly	1
5	AS-03356-0542	Motherboard Assembly	1
6	AS-03356-0509	Graphics Card Assembly	1
7	CBL-30519-0001	MPU Power Cable	1
8	E-00647-0004	Tie Wrap	2
9	E-01102-0003	DVC/CD/CD ROM Drive	1
10	LSP-00632-1106	Screw, Mach with Lock Phil Pan Hd	9
11	LSP-00350-1206	Screw, Metric Mach with Lock Phil Pan Hd	2
12	M-00281-162A	Lock, No Cam, Door/Bill Acceptor	2

REF	PART #	DESCRIPTION	QTY
13	MSPP-00832-1108	Screw, Mach Phil Pan Hd	2
14	NLS-00632-1112	Hex Nut	6
15	NLS-00832-1112	Hex Nut	2
16	P-00758-0094	Cam, Bill Acceptor Stacker, M0281-132	2
17	P-06264-0332	Handle, Card Rack Door	2
18	P-06901-0038	CD ROM Drive Mounting Bracket	1
19	P-06901-0066	I/O Cover Plate	1
20	TFPP-00632-1104	Screw, 6-32 x 1/4 Thd Form Phil Pan Hd	9
21	TFPP-00832-1104	Screw, 8-32 x 1/4 Thd Form Phil Pan Hd	4
23	FO-00484-7850	Instruction, Memory Module Label (Ref)	A/R
24	LBL-00278-0001	Label, Memory Modules (Not Shown)	1
25	EF-00869-0001	IC, Flash Memory, 29F040, 4 Meg	1

PC Housing Assembly

AS-04173-0227

☑ V8717/☑ V8719



REF	PART #	DESCRIPTION	QTY
1	A-02404-0003	PC Housing Assembly	1
2	AS-03356-0505	Backplane PC Assemblh	1
3	CBL-30520-0001	Cable	1
4	E-00108-0387	Bill Acceptor Door Switch	1
5	E-00108-0411	Snap Action Switch, E-21-90N	1
6	E-00647-0004	Tie Wrap	3
7	LSP-00440-1108	Screw, Mach with Lock Phil Pan Hd	4
8	LSP-00632-1106	Screw, Mach with Lock Phil Pan Hd	6

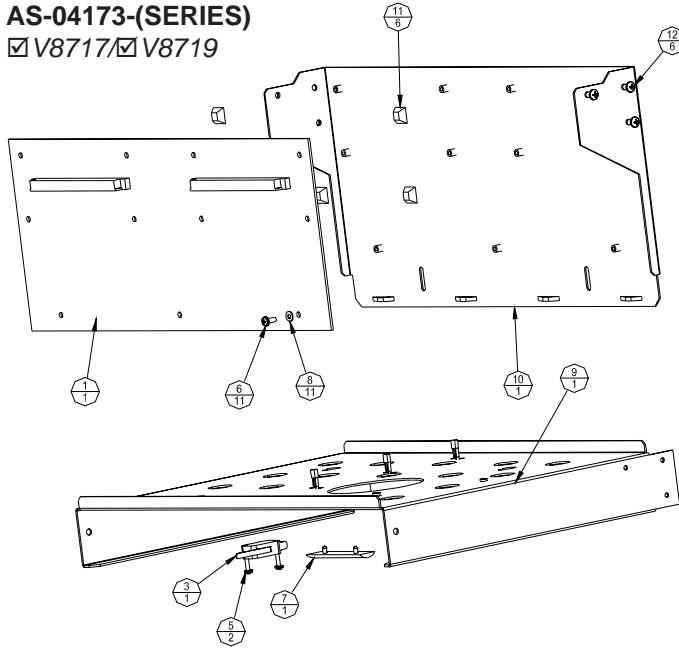
REF	PART #	DESCRIPTION	QTY
9	LSP-00832-1106	Screw, Mach with Lock Phil Pan Hd	2
10	M-03063-001A	Screw, Shoulder AMP, Part # 2082111	2
11	NLS-00632-1112	Hex Nut	2
12	P-00801-0673	Washer, .139 ID x .310 OD x .031 Thk	6
13	P-06901-0032	Bracket, 25-Pin Drawer Plug "M"	1
14	P-06901-0037	PC Housing Brace	1
15	R-00409	Bumper	4

EVO™ V8717 / V8719

Cabinet Assembly

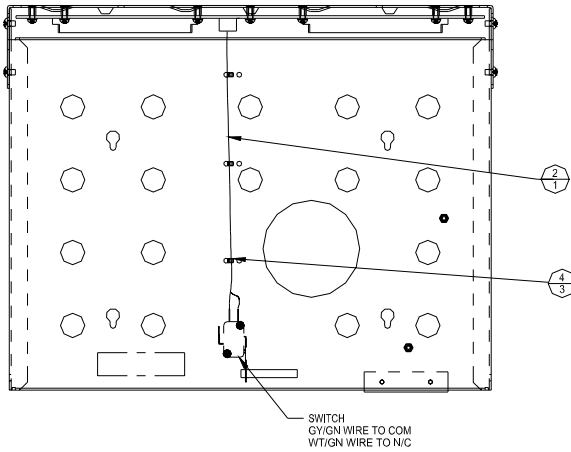
Backplane Board/IOP Shelf Assembly AS-04173-(SERIES)

☑ V8717 / ☑ V8719



AVAILABILITY:

PART #	DESCRIPTION	V8717	V8719
AS-04173-0228	Backplane Board/IOP Shelf Assembly (1 Lock)	X	
AS-04173-0229	Backplane Board/IOP Shelf Assembly (1 Lock)		X
AS-04173-0231	Backplane Board/IOP Shelf Assembly (2 Lock)	X	
AS-04173-0232	Backplane Board/IOP Shelf Assembly (2 Lock)		X



REF	PART #	DESCRIPTION	QTY	PART #
1	AS-03356-0501	Backplane IOP Assembly	1	-0228
				-0229
				-0231
				-0232
				-0233
2	CBL-20319-0001	IOP Door Switch Cable	1	-0228
				-0229
				-0231
				-0232
				-0233
3	E-00108-0387	Bill Acceptor Door Switch	1	-0228
				-0229
				-0231
				-0232
				-0233
4	E-00647-0004	Tie Wrap	3	-0228
				-0229
				-0231
				-0232
				-0233
5	LSPP-00440-1110	Screw, Mach with Lock Phil Pan Hd	2	-0228
				-0229
				-0231
				-0232
				-0233
6	LSPP-00632-1106	Screw, Mach with Lock Phil Pan Hd	11	-0228
				-0229
				-0231
				-0232
				-0233
7	M-03001	Strip, Grounding	1	-0228
				-0229
				-0231
				-0232
				-0233

REF	PART #	DESCRIPTION	QTY	PART #
8	P-00801-0673	Washer, .139 ID x .310 OD x .031 Thk	11	-0228
				-0229
				-0231
				-0232
				-0233
9	P-06901-0035	Shelf Mounting Bracket	1	-0228
	P-06901-0053	Shelf Mounting Bracket	1	-0229
	P-06901-0060	Shelf Mounting Bracket	1	-0231
	P-06901-0059	Shelf Mounting Bracket	1	-0232
	P-06901-0036	Backplane Mounting Bracket	1	-0228
10	P-06901-0007	Backplane Mounting Bracket	1	-0229
	P-06901-0036	Backplane Mounting Bracket	1	-0231
	P-06901-0007	Backplane Mounting Bracket	1	-0232
	P-06901-0007	Backplane Mounting Bracket	1	-0228
11	R-00409	Bumper	6	-0228
				-0229
				-0231
				-0232
				-0233
12	TFPP-00832-1104	Screw, 8-32 x 1/4 Thd Form Phil Pan Hd	6	-0228
				-0229
				-0231
				-0232
				-0233
13	E-01011-0120	Door Connector Housing, 20 Position with Key (Not Shown)	1	-0228
				-0229
				-0231
				-0232
				-0233



EVO™ V8717 / V8719

Cabinet Assembly

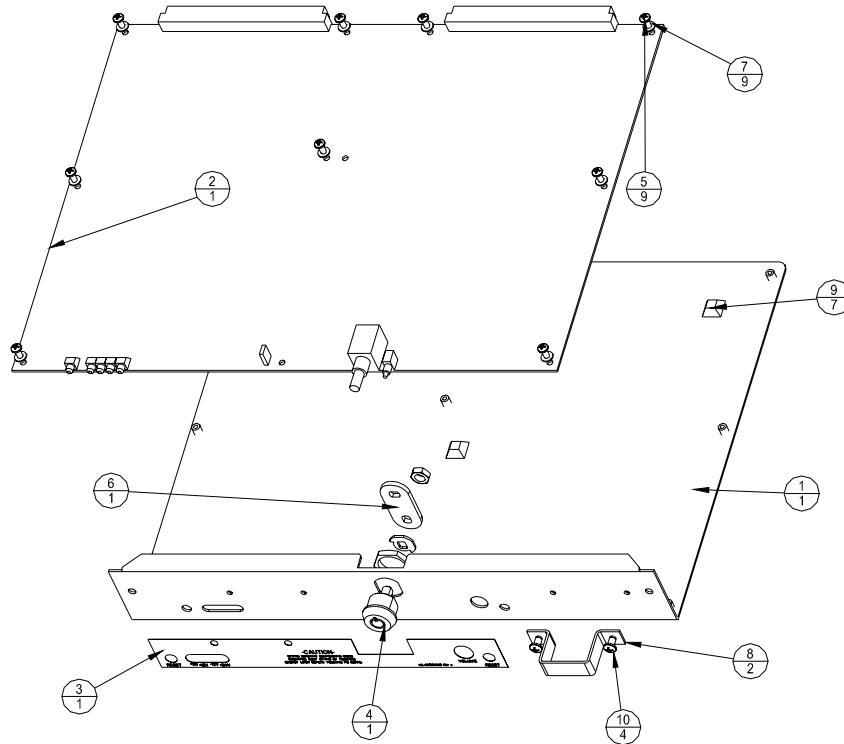
IOP Tray Assembly

☑ V8717/☑ V8719/☑ Slant

AS-06902-(SERIES)

AVAILABILITY:

PART #	DESCRIPTION	V8717	V8719
AS-06902-0006	IOP/Tray, 1 Lock	X	
AS-06902-0008	IOP/Tray, 1 Lock		X
AS-06902-0011	IOP/Tray, 2 Lock		X
AS-06902-0013	IOP/Tray, 2 Lock	X	
AS-06902-0026	IOP/Tray, 1 Lock (Mississippi)	X	
AS-06902-0027	IOP/Tray, 1 Lock (Mississippi)		X
AS-06902-0032	IOP/Tray, 1 Lock, A/A	X	
AS-06902-0033	IOP/Tray, 1 Lock, A/A		X



REF	PART #	DESCRIPTION	QTY	PART #
1	A-04360-0025	IOP Tray Assembly	1	-0006
	A-04360-0026	IOP Drawer	1	-0008
	A-04360-0029	IOP Drawer	1	-0011
	A-04360-0030	IOP Tray Assembly	1	-0013
	A-04360-0025	IOP Tray Assembly	1	-0026
	A-04360-0026	IOP Drawer	1	-0027
	A-04360-0025	IOP Tray Assembly	1	-0032
	A-04360-0026	IOP Drawer	1	-0033
2	AS-03356-0507	IOP Board Assembly	1	-0006 -0008 -0011 -0013 -0026 -0027 -0032 -0033
	AS-03356-0537	IOP Board Assembly	1	-0006 -0008 -0011 -0013 -0026 -0027 -0032 -0033
	AS-03356-0548	IOP Board Assembly	1	-0006 -0008 -0011 -0013 -0026 -0027 -0032 -0033
	AS-03356-0625	IOP Board Assembly	1	-0006 -0008 -0011 -0013 -0026 -0027 -0032 -0033
	3	LBL-00272-0002	Lable, IOP Tray	1
4	M-00281-162A	Lock, No Cam, Door/Bill Acceptor	1	-0006 -0008 -0011 -0013 -0026 -0027 -0032 -0033
5	MSPP-00632-1104	Screw, Mach Phil Pan Hd	9	-0006 -0008 -0011 -0013 -0026 -0027 -0032 -0033
	MSPP-00632-1106	Screw, Mach Phil Pan Hd	9	-0006 -0008 -0011 -0013 -0026 -0027 -0032 -0033
	MSPP-00632-1104	Screw, Mach Phil Pan Hd	9	-0006 -0008 -0011 -0013 -0026 -0027 -0032 -0033
	MSPP-00632-1106	Screw, Mach Phil Pan Hd	9	-0006 -0008 -0011 -0013 -0026 -0027 -0032 -0033
	MSPP-00632-1104	Screw, Mach Phil Pan Hd	9	-0006 -0008 -0011 -0013 -0026 -0027 -0032 -0033
	MSPP-00632-1106	Screw, Mach Phil Pan Hd	9	-0006 -0008 -0011 -0013 -0026 -0027 -0032 -0033

REF	PART #	DESCRIPTION	QTY	PART #	
6	P-00758-0159	Cam Lock	1	-0006 -0008 -0011 -0013 -0026 -0027 -0032 -0033	
	P-00758-0094	Cam, Bill Acceptor Stacker, M0281-132	1	-0006 -0008 -0011 -0013 -0026 -0027 -0032 -0033	
	P-00758-0159	Cam Lock	1	-0006 -0008 -0011 -0013 -0026 -0027 -0032 -0033	
	P-00758-0094	Cam, Bill Acceptor Stacker, M0281-132	1	-0006 -0008 -0011 -0013 -0026 -0027 -0032 -0033	
	P-00758-0159	Cam Lock	1	-0006 -0008 -0011 -0013 -0026 -0027 -0032 -0033	
	P-00758-0094	Cam, Bill Acceptor Stacker, M0281-132	1	-0006 -0008 -0011 -0013 -0026 -0027 -0032 -0033	
	7	P-00801-0673	Washer, .139 ID x .310 OD x .031 Thk	9	-0006 -0008 -0011 -0013 -0026 -0027 -0032 -0033
	8	P-06264-0332	Handle, Card Rack Door	2	-0006 -0008 -0011 -0013 -0026 -0027 -0032 -0033
9	R-0409	Bumper	4	-0006 -0008 -0011 -0013 -0026 -0027 -0032 -0033	
			7	-0006 -0008 -0011 -0013 -0026 -0027 -0032 -0033	
				-0006 -0008 -0011 -0013 -0026 -0027 -0032 -0033	
10	TFPP-00832-1104	Screw, 8-32 x 1/4 Thd Form Phil Pan Hd	4	-0006 -0008 -0011 -0013 -0026 -0027 -0032 -0033	

EVO™ V8717 / V8719

Cabinet Assembly

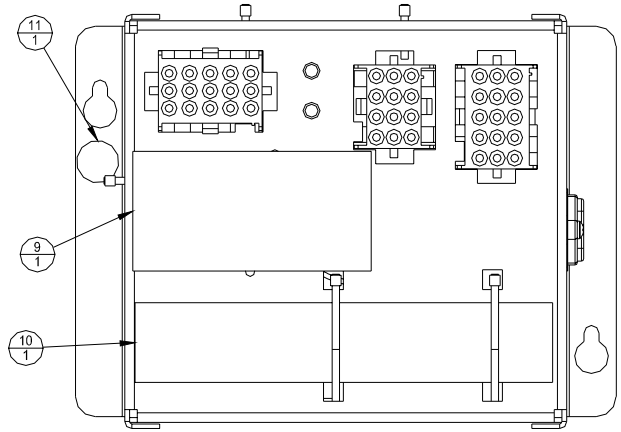
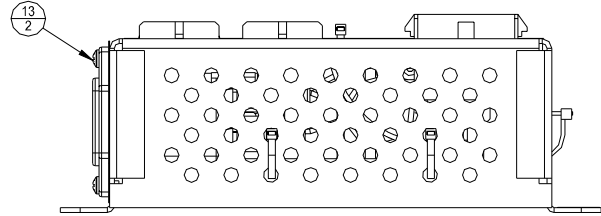
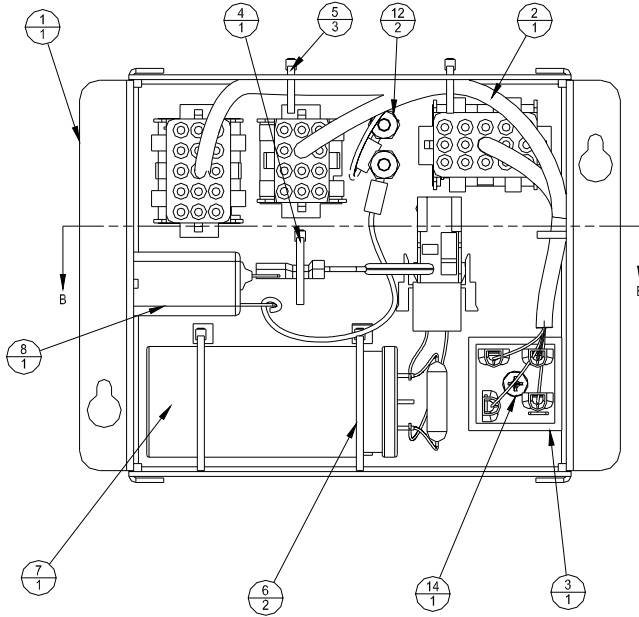
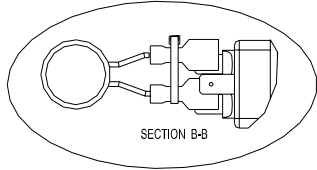
Power Supply

AS-04238-(SERIES)

☑ V8717/☑ V8719/☑ Slant

AVAILABILITY:

PART #	DESCRIPTION	V8717	V8719	SLANT
AS-04238-0071	Power Supply Assembly, Pentium®	X	X	X
AS-04238-0072	Power Supply Assembly, Pentium® (Mississippi)	X	X	
AS-04238-0073	Power Supply Assembly, Low Leakage	X	X	X



REF	PART #	DESCRIPTION	QTY	PART #
1	A-04345-0009	Power Supply Case Assembly	1	-0073
2	CBL-30412-0001	Power Supply Cable	1	-0073
3	E-00602-0016	Rectifier, Bridge	1	-0073
4	E-00647-0004-2	Cable Tie, .090 W x 3.870 L	1	-0073
5	E-00647-0004-3	Cable Tie, .090 W x 3.870 L	3	-0073
6	E-00647-0005-1	Cable Tie, .090 W x 3.870 L	2	-0073
7	E-00664-0545	Capacitor with Connector Assembly, CE97	1	-0073

REF	PART #	DESCRIPTION	QTY	PART #
8	E-00664-0558	Line Filter, Low Leakage UL544	1	-0073
9	LBL-00143-001A	Label, High Voltage, French Canadian	1	-0073
10	LBL-00245-0001-A	Label, Safety Ground	1	-0073
11	LBL-00245-0001-B	Label, Safety Ground	1	-0073
12	NLS-00832-1112	Hex Nut	2	-0073
13	TFPP-00440-1104	Screw, 8-10 x 1/4 Thd Form Phil Pan Hd	2	-0073
14	TFPP-00832-1108	Screw, 8-32 x 1/2 Thd Form Phil Pan Hd	1	-0073



EVO™ V8717 / V8719

Cabinet Assembly

Transformer (120VAC, 50/60Hz.)

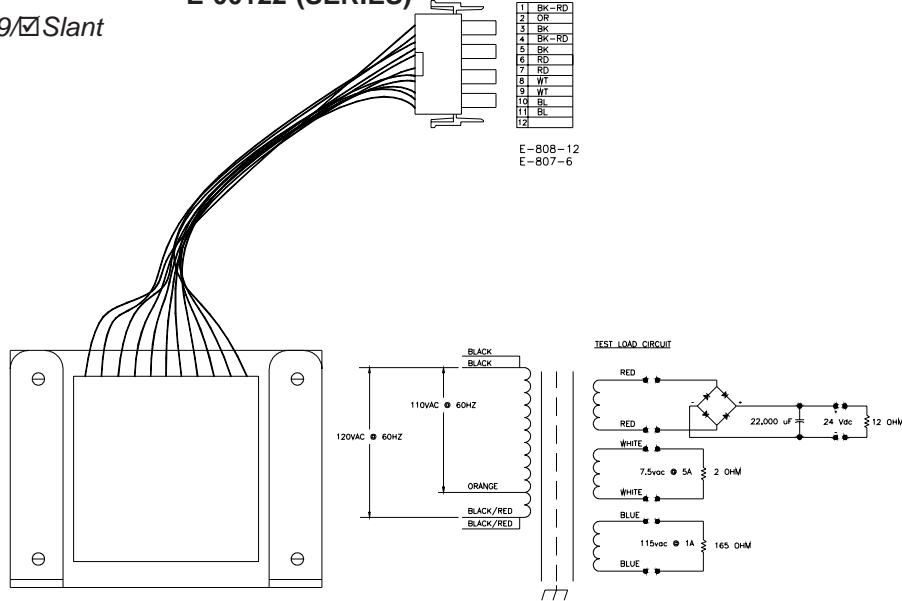
E-00422-0223

V8717 V8719 Slant

Transformer

V8717 V8719 Slant

E-00122-(SERIES)



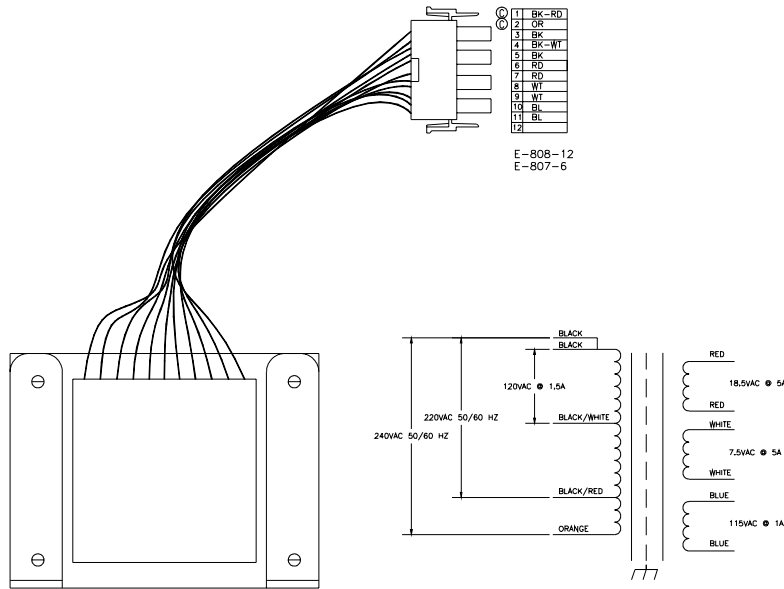
TEST REQUIREMENTS				
PRIMARY AC INPUT	PRIMARY OUTPUT VOLTS	SECONDARY LOAD CURRENT MAX.	SECONDARY VOLTAGE	
			MINIMUM	MAXIMUM
120 VAC		2 AMPS	23.0 VDC	24.0 VDC
120 VAC		4 AMPS	7.1 VAC	7.9 VAC
120 VAC		0.7 AMPS	109.3 VAC	120.7 VAC

DESIGN REQUIREMENTS				
PRIMARY AC INPUT	PRIMARY OUTPUT VOLTS	SECONDARY LOAD CURRENT MAX.	SECONDARY VOLTAGE	TOLERANCE
110 VAC		2 AMPS	23.5 VDC	±2%
120 VAC		5 AMPS	21.5 VDC	±2%
110 VAC		5 AMPS	7.5 VAC	±0.4 VAC
120 VAC		1 AMP	115 VAC	±5.7 VAC

Transformer (220VAC, 50/60Hz.)

E-00422-0224

V8717 V8719 Slant



NO LOAD REQUIREMENTS							
PRIMARY	INPUT VOLTAGE	CURRENT LOAD	OUTPUT	OUTPUT VOLTAGE			
				MIN.	NOM.	MAX	UNITS
BK-BK/RD	220 VAC	0 AMPS	RD-RD	18.0	19.0	20.0	VAC
BK-OR	240 VAC	0 AMPS	WT-WT	7.5	7.8	8.1	VAC
BK-BK/RD	220 VAC	0 AMPS	BL-BL	115	117	118	VAC
BK-OR	240 VAC	0 AMPS	BK-BK/WT	115	120	125	VAC

LOAD REQUIREMENTS							
PRIMARY	INPUT VOLTAGE	CURRENT LOAD	OUTPUT	OUTPUT VOLTAGE			
				MIN.	NOM.	MAX	UNITS
BK-BK/RD	220 VAC	5 AMPS	RD-RD	17.5	18.5	19.5	VAC
BK-OR	240 VAC	5 AMPS	WT-WT	7.1	7.5	7.9	VAC
BK-BK/RD	220 VAC	1 AMP	BL-BL	109.3	115	120.7	VAC
BK-OR	240 VAC	1.5 AMP	BK-BK/WT	115	120	125	VAC

EVO™ V8717 / V8719

Cabinet Assembly

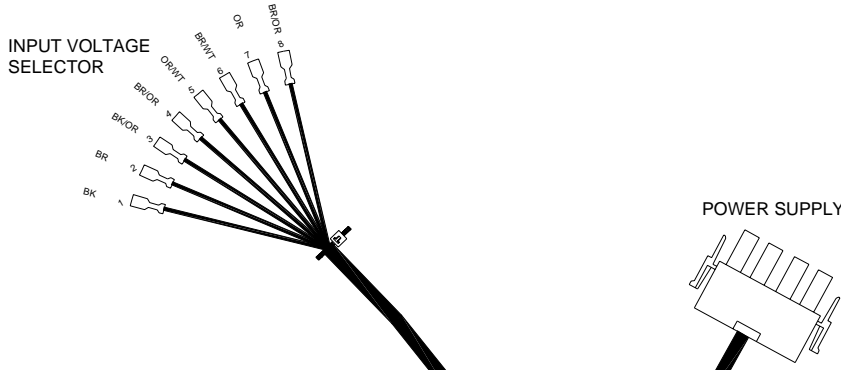
Transformer (Cont.)

V8717 V8719 Slant

E-00122-(SERIES)

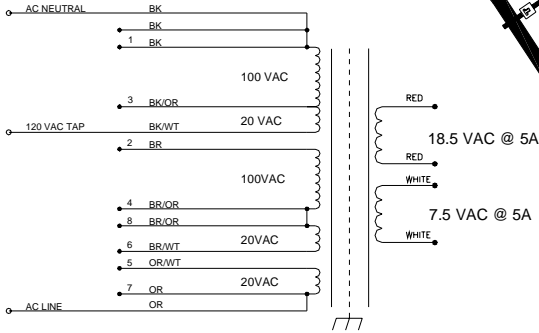
Transformer, Universal Input (100-240V,50/60)
E-00422-0229

V8717



WIRING LIST

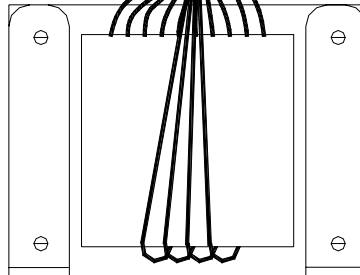
SEQ.	FROM	TO	COLOR	AWG
1	A	B1	BK	18
2	A	C3	BK	18
3	A	C5	BK	18
4	A	B3	BK/OR	18
5	A	C4	BK/WT	18
6	A	B2	BN	18
7	A	B4	BR/OR	18
8	A	B8	BR/OR	18
9	A	B6	BR/WT	18
10	A	B5	OR/WT	18
11	A	B7	OR	18
12	A	C1	OR	18
13	A	C6	RD	18
14	A	C7	RD	18
15	A	C8	WT	18
16	A	C9	WT	18



1	OR
2	
3	BK
4	BK/WT
5	BK
6	RD
7	RD
8	WT
9	WT
10	
11	
12	

ELECTRICAL CHARACTERISTICS

INPUT VOLTAGE SELECTOR CONFIGURATION	APPLIED VOLTAGE	OUTPUT WINDING	LOAD CONDITIONS	OUTPUT VOLTAGE			UNITS
				MIN.	NOM.	MAX.	
	100 VAC						
	120 VAC	BK-BK/WT	0 AMPS 1.5 AMPS	115.0 115.0	120.0 120.0	125.0 125.0	VAC VAC
	140 VAC						
	140 VAC	WT-WT	0 AMPS 5 AMPS	7.5 7.1	7.8 7.5	8.1 7.9	VAC VAC
	200 VAC						
	220 VAC	RD-RD	0 AMPS 5 AMPS	18.0 17.5	19.0 18.5	20.0 19.5	VAC VAC
	240 VAC						





EVO™ V8717 / V8719

Cabinet Assembly

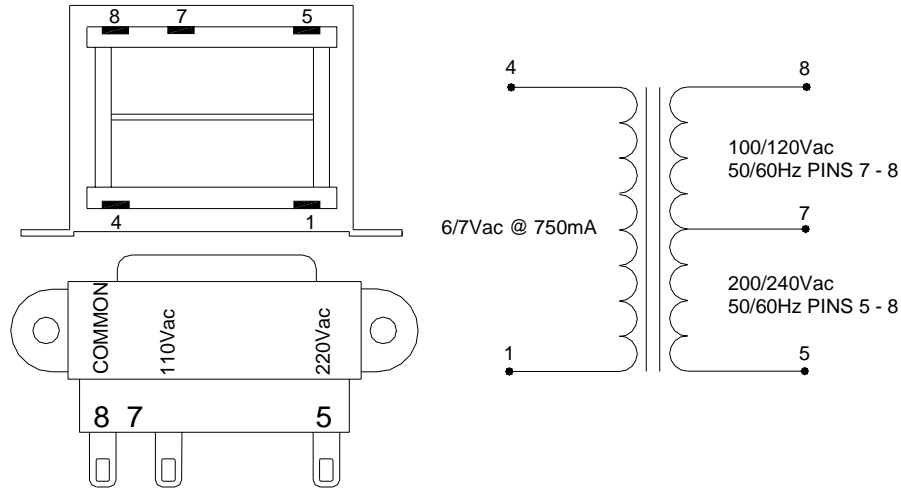
Transformer (Cont.)

E-00122-(SERIES)

Transformer, Air Force (115/230-6V,50/60)
E-00422-0231

V8717/ V8719/ Slant

V8717

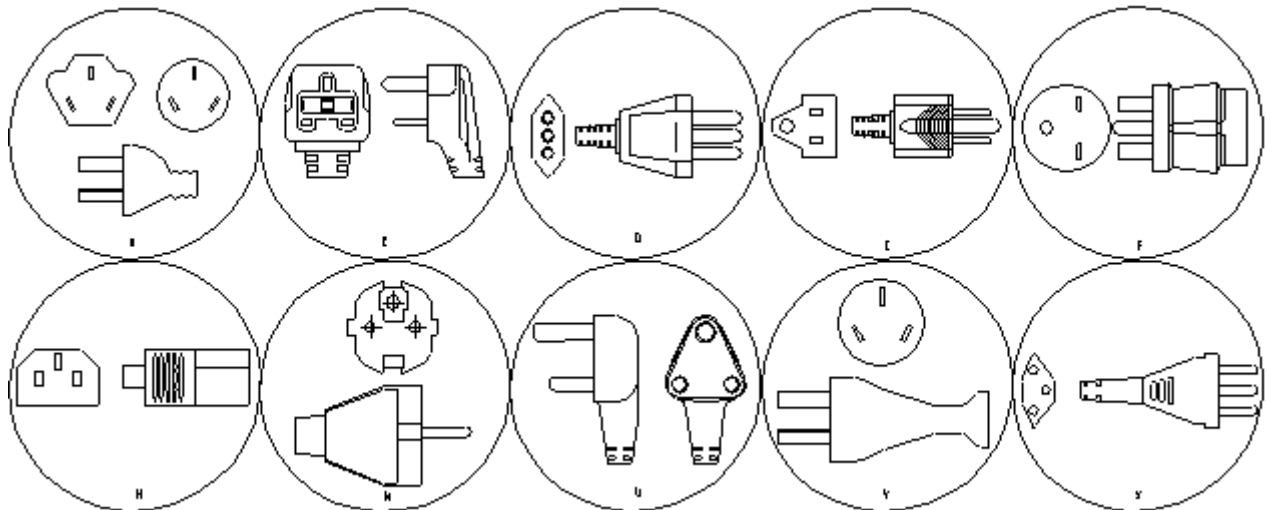


Line Cord Assembly

E-00126-(SERIES)

V8717/ V8719/ Slant

17	19	SL	PART #	DESCRIPTION	VOLTS	PLUG	ARGENTINA	AUSTRALIA	AUSTRIA	BELGIUM	CANADA	DENMARK	FINLAND	FRANCE	GERMANY	HOLLAND	IRELAND	ITALY	JAPAN	NETHERLANDS	NEW ZEALAND	NORWAY	SWEDEN	UNITED KINGDOM	UNITED STATES	SOUTH AFRICA	SWITZERLAND
X	X		E-00126-0116	Line Cord, Modular, 3' (Domestic)	120	E & H				X														X			
X	X	X	E-00126-0120	Line Cord, 8'	220	D & H												X									
X	X	X	E-00126-0121	Line Cord, 8' (Domestic)	120	E & H				X														X			
X	X	X	E-00126-0122	Line Cord, 2.5M (Europe)	220	N & H		X	X			X	X	X						X	X	X					
X	X	X	E-00126-0123	Line Cord, 8'2"	240	C & H					X						X						X				
X	X	X	E-00126-0132	Cordset, 8' NEMA 6-15P & IEC 320	230	F & H					X													X			
X	X	X	E-00126-0143	Cordset, 8.2'	240	B & H		X													X						
X	X		E-00126-0154	Line Cord, Power Supply		H & S																		X			
X	X	X	E-00126-0157	Cordset, 8.2', Old British (BS 546 & IEC 320/C13)	250	U & H																			X		
X	X	X	E-00126-0167	Line Cord, 8', IRAM 2073	250	V & H	X																				
X	X	X	E-00126-0173	Line Cord, 6'	250	X & H																				X	
X	X	X	E-00126-0174	Line Cord, PC Power Supply, 24"	125	Z & S																		X			

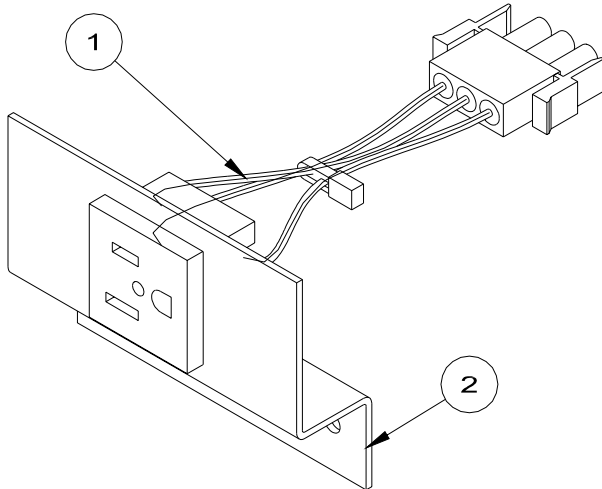


EVO™ V8717 / V8719

Cabinet Assembly

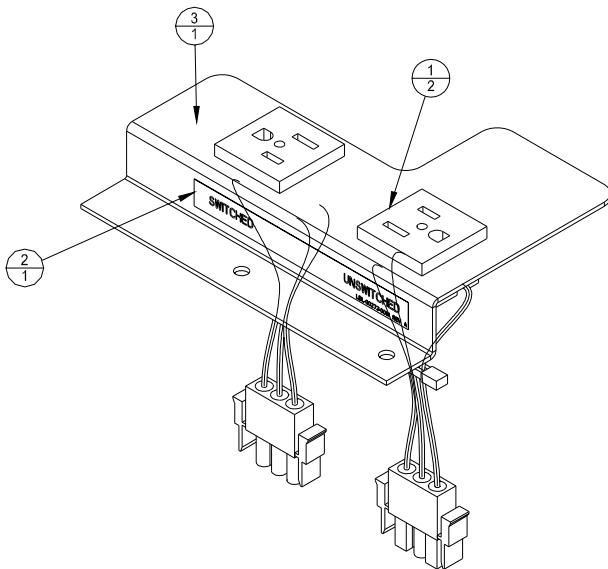
Convenience Outlet AS-03268-(SERIES)
 V8717 V8719 Slant

Convenience Outlet, United States AS-03268-0004
 V8717 V8719 Slant



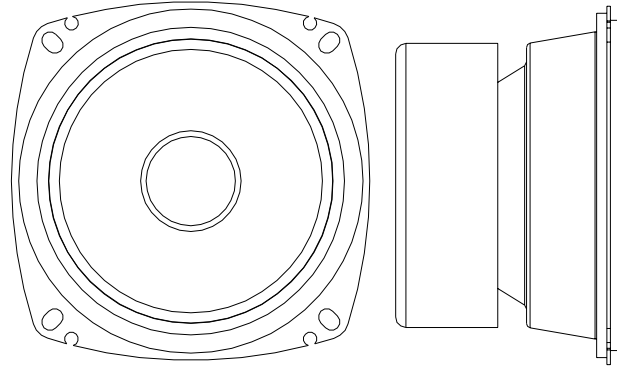
REF	PART #	DESCRIPTION	QTY
1	E-00664-0313	Convenience Outlet Assembly/Plug, Domestic	1
2	P-06442-0585	Convenience Outlet Bracket	1

Convenience Outlet, Dual AS-03268-0010 V8717 V8719



REF	PART #	DESCRIPTION	QTY
1	E-00664-0313	Convenience Outlet Assembly/Plug, Domestic	2
2	LBL-00273-0001	Label, Convenience Outlet, Switched/Unswitched	1
3	P-06442-0735	Dual Converter Outlet Extended Bracket	1

Speaker, 4-Inch Round, 4 OHM E-00281-0027
 V8717 V8719



Tower Lens Selection M-02100-(SERIES)
 V8717 V8719 Slant

COLOR	TOWER LENS COVER, SMALL		V8717	V8719	SLANT
	TOP PART #	BOTTOM PART #			
White	M-02100-0301	M-02100-0401	X	X	X
Red	M-02100-0302	M-02100-0402	X	X	X
Blue	M-02100-0303	M-02100-0403	X	X	X
Yellow	M-02100-0304	M-02100-0404	X	X	X
Green	M-02100-0305	M-02100-0405	X	X	X
Coral	M-02100-0306	M-02100-0406	X	X	X
Purple	M-02100-0307	M-02100-0407	X	X	X
Orange	M-02100-0308	M-02100-0408	X	X	X
Blue	M-02100-0309	M-02100-0409	X	X	X
Teal	M-02100-0310	M-02100-0410	X	X	X
Powder Blue	M-02100-0311	M-02100-0411	X	X	X
Pink	M-02100-0312	M-02100-0412	X	X	X
Amber	M-02100-0313	M-02100-0413	X	X	X
Grey	M-02100-0314	M-02100-0414	X	X	X
Brown	M-02100-0315	M-02100-0415	X	X	X
COLOR	TOWER LENS COVER, LARGE		V8717	V8719	SLANT
	TOP PART #	BOTTOM PART #			
White	M-02100-0101	M-02100-0201	X	X	X
Red	M-02100-0102	M-02100-0202	X	X	X
Blue	M-02100-0103	M-02100-0203	X	X	X
Yellow	M-02100-0104	M-02100-0204	X	X	X
Green	M-02100-0105	M-02100-0205	X	X	X
Coral	M-02100-0106	M-02100-0206	X	X	X
Purple	M-02100-0107	M-02100-0207	X	X	X
Orange	M-02100-0108	M-02100-0208	X	X	X
Blue	M-02100-0109	M-02100-0209	X	X	X
Teal	M-02100-0110	M-02100-0210	X	X	X
Powder Blue	M-02100-0111	M-02100-0211	X	X	X
Pink	M-02100-0112	M-02100-0212	X	X	X
Amber	M-02100-0113	M-02100-0213	X	X	X
Grey	M-02100-0114	M-02100-0214	X	X	X
Brown	M-02100-0115	M-02100-0215	X	X	X



EVO™ V8717 / V8719

Cabinet Assembly

Tower Selections

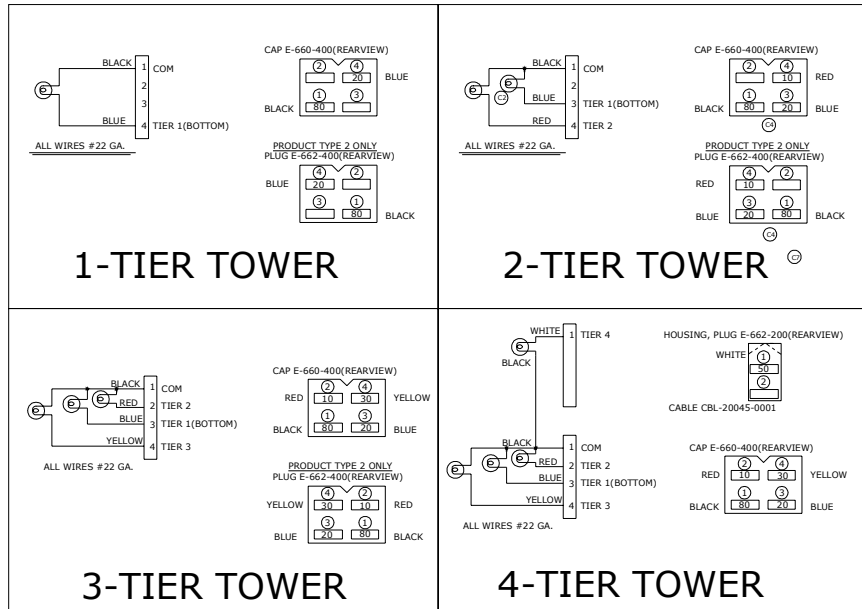
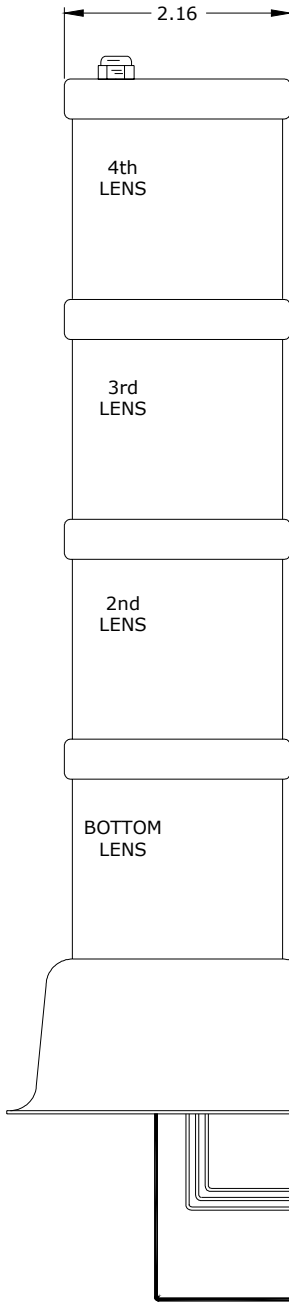
TWR1

V8717 V8719 Slant

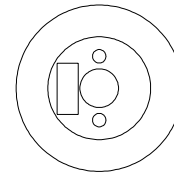
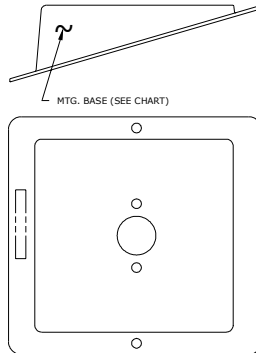
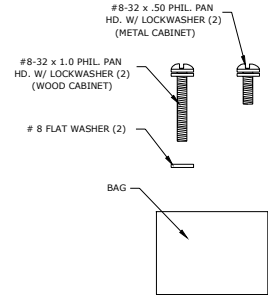
Tower Selections

V8717 V8719 Slant

TWRx-(SERIES)



- TWR1-01213-6470
- 4t LENS COLOR UP (SEE CHART)
 - 3d LENS COLOR UP (SEE CHART)
 - 2d LENS COLOR UP (SEE CHART)
 - BOTTOM LENS COLOR (SEE CHART)
 - NO. OF TIERS
 - FINISH (SEE CHART)
 - MOUNTING BASE (SEE CHART)
 - PRODUCT TYPE (SEE CHART)



	PRODUCT TYPE		PART #	MTG BASE	FINISH	LENS COLOR	DENOM
(1) TWR2	S5000 (6V) V5500 S5500	Use Molex Cap # 03-09-2049 Use Molex Pin # 02-09-2101 Use Lamp # 55 (6-8V) 0.4 Amp	E-00660-0400 E-00661-0001	0-No Base Flat Top		0-No Lens 1-White 2-Red 3-Blue 4-Yellow	\$100 1¢/5¢ \$1 25¢/Token 25¢
(2) TWR2	V5000 (24V) Poker 2 nd Chance Black Jack Keno	Use Molex Plug No 03-09-1049 Use Molex Pin # 02-09-1102 Use Lamp No 313 (28V) .17 Amp	E-00662-0400 E-00663-0001	1-With Base Angled Top	1-Chrome 2-Brass	5-Green 6-Coral 7-Purple 8-Orange 9-SapphireBlue	10¢ 50¢ \$10/\$5/\$25 Obsolete-See #6 #383
(3) TWR2	Oasis V72	Use Molex Cap # 03-09-2049 Use Molex Pin # 02-09-2101 Use Lamp # 73 (14V) Or Elec Equiv	E-00660-0400 E-00661-0001 E-00120-0108	*Round Top See Cabinet Assembly			

| - Revised, || - New

EVO™ V8717 / V8719

Cabinet Assembly

Tower Selections

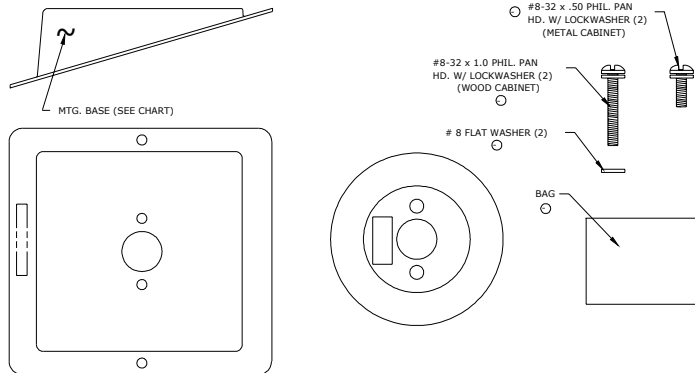
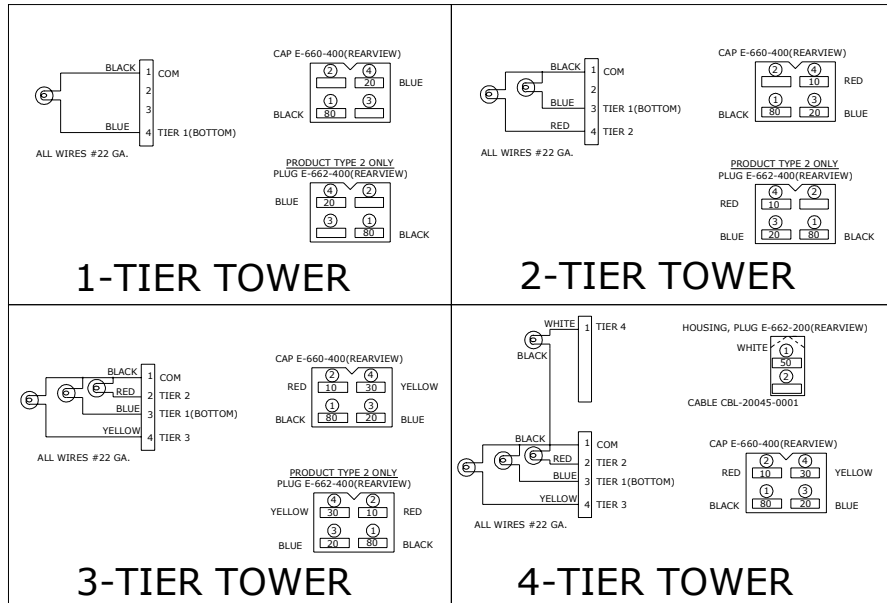
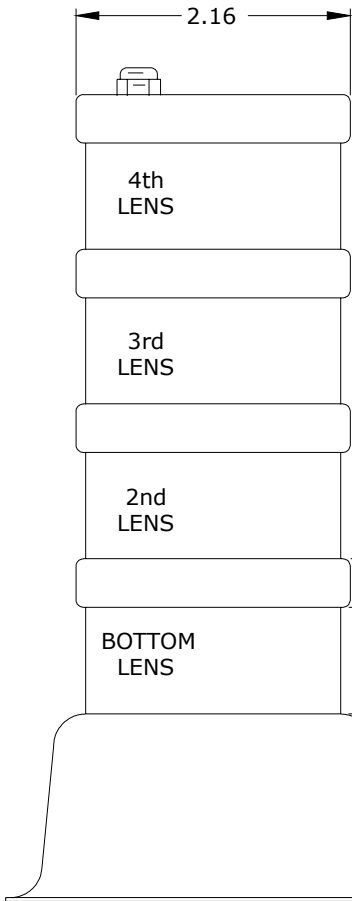
TWR2

Tower Selections (Cont.)

☑ V8717/☑ V8719/☑ Slant

☑ V8717/☑ V8719/☑ Slant

TWRx-(SERIES)



TWR2-01213-6470

- 4t LENS COLOR UP (SEE CHART)
- 3d LENS COLOR UP (SEE CHART)
- 2d LENS COLOR UP (SEE CHART)
- BOTTOM LENS COLOR (SEE CHART)
- NO. OF TIERS
- FINISH (SEE CHART)
- MOUNTING BASE (SEE CHART)
- PRODUCT TYPE (SEE CHART)

PRODUCT TYPE			PART #	MTG BASE	FINISH	LENS COLOR	DENOM
(1) TWR2	S5000 (6V) V5500 S5500	Use Molex Cap # 03-09-2049 Use Molex Pin # 02-09-2101 Use Lamp # 55 (6-8V) 0.4 Amp	E-00660-0400 E-00661-0001	0-No Base Flat Top		0-No Lens 1-White 2-Red 3-Blue	\$100 1¢/5¢ \$1
(2) TWR2	V5000 (24V) Poker 2 nd Chance Black Jack Keno	Use Molex Plug No 03-09-1049 Use Molex Pin # 02-09-1102 Use Lamp No 313 (28V) .17 Amp	E-00662-0400 E-00663-0001	1-With Base Angled Top	1-Chrome 2-Brass	4-Yellow 5-Green 6-Coral 7-Purple 8-Orange 9-SapphireBlue	25¢/Token 25¢ 10¢ 50¢ \$10/\$5/\$25 Obsolete-See #6 #383
(3) TWR2	Oasis V72	Use Molex Cap # 03-09-2049 Use Molex Pin # 02-09-2101 Use Lamp # 73 (14V) Or Elec Equiv	E-00660-0400 E-00661-0001 E-00120-0108	*-Round Top See Cabinet Assembly			

| - Revised, || - New



EVO™ V8717 / V8719

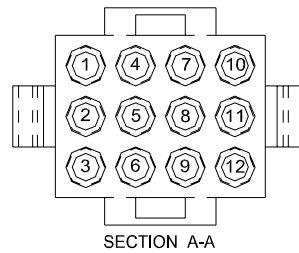
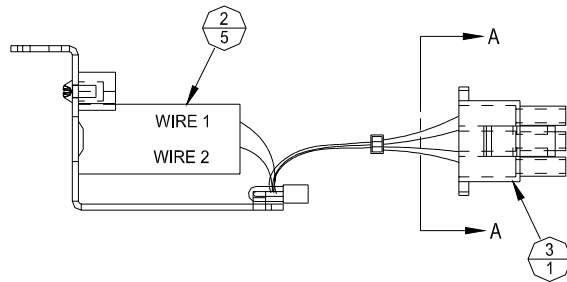
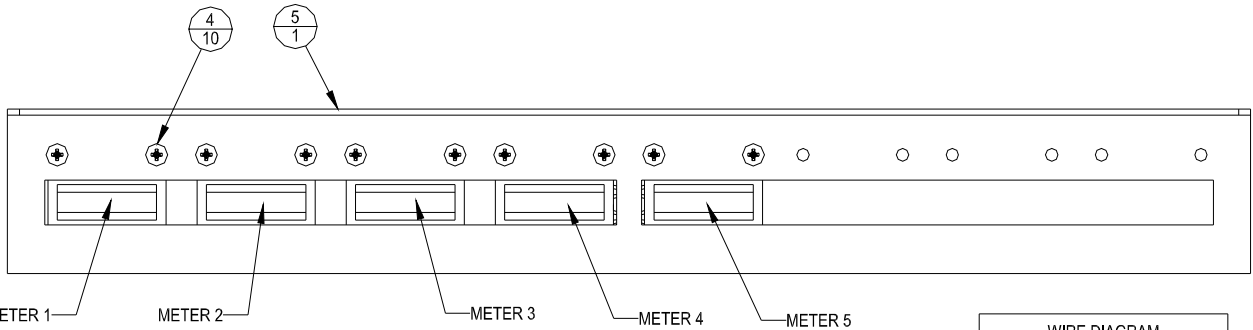
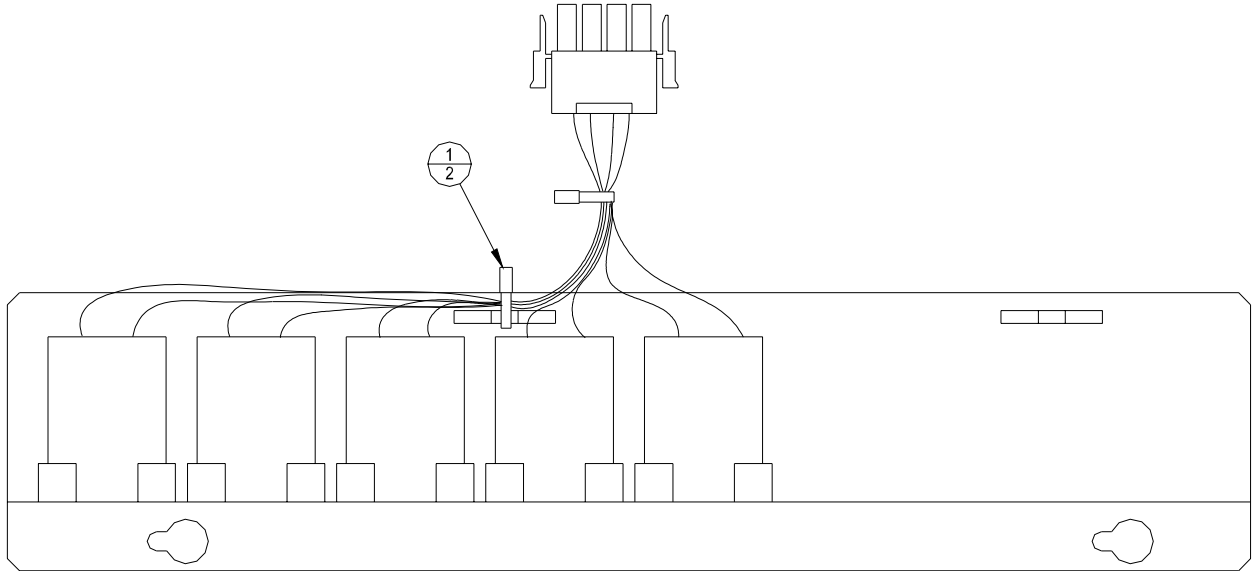
Cabinet Assembly

| Meter Assembly
 V8717 V8719

AS-04225-(SERIES)

AVAILABILITY:

PART #	DESCRIPTION	V8717	V8719
AS-04225-0079	Meter Assembly, 5	X	
AS-04225-0082	Meter Assembly, 5		X
AS-04225-0086	Meter Display Assembly, 5 (Switzerland)		X
AS-04225-0087	Meter Display Assembly, 5 (Switzerland)	X	



WIRE DIAGRAM	
FROM	TO
METER 1-1	CONN 1-1
METER 1-2	CONN 1-2
METER 2-1	CONN 1-4
METER 2-2	CONN 1-5
METER 3-1	CONN 1-7
METER 3-2	CONN 1-8
METER 4-1	CONN 1-10
METER 4-2	CONN 1-11
METER 5-1	CONN 1-9
METER 5-2	CONN 1-12

REF	PART #	DESCRIPTION	QTY	PART #
1	E-00647-0004	Tie Wrap	2	-0079
				-0082
				-0086
				-0087
2	E-00664-0492	7-Digit Meter Assembly with 8-Inch Lead	5	-0079
				-0082
				-0086
				-0087
2	E-00664-0491	7-Digit Meter Assembly with 8-Inch Lead	5	-0079
				-0082
				-0086
				-0087
3	E-00808-0012	Connector Housing Plug	1	-0082
				-0086
				-0087

REF	PART #	DESCRIPTION	QTY	PART #
4	LSP-P-M0350-1104	Screw, Metric Mach with Lock Phil Pan Hd	10	-0079
				-0082
				-0086
				-0087
5	P-09319-0557	Meter Mounting Bracket	1	-0079
	P-09319-0573	Meter Mounting Bracket	1	-0082
	P-09319-0718	Meter and Security Printed Circuit Board Mounting Bracket	1	-0086
	P-09319-0717	Meter and Security Printed Circuit Board Mounting Bracket	1	-0087

EVO™ V8717 / V8719

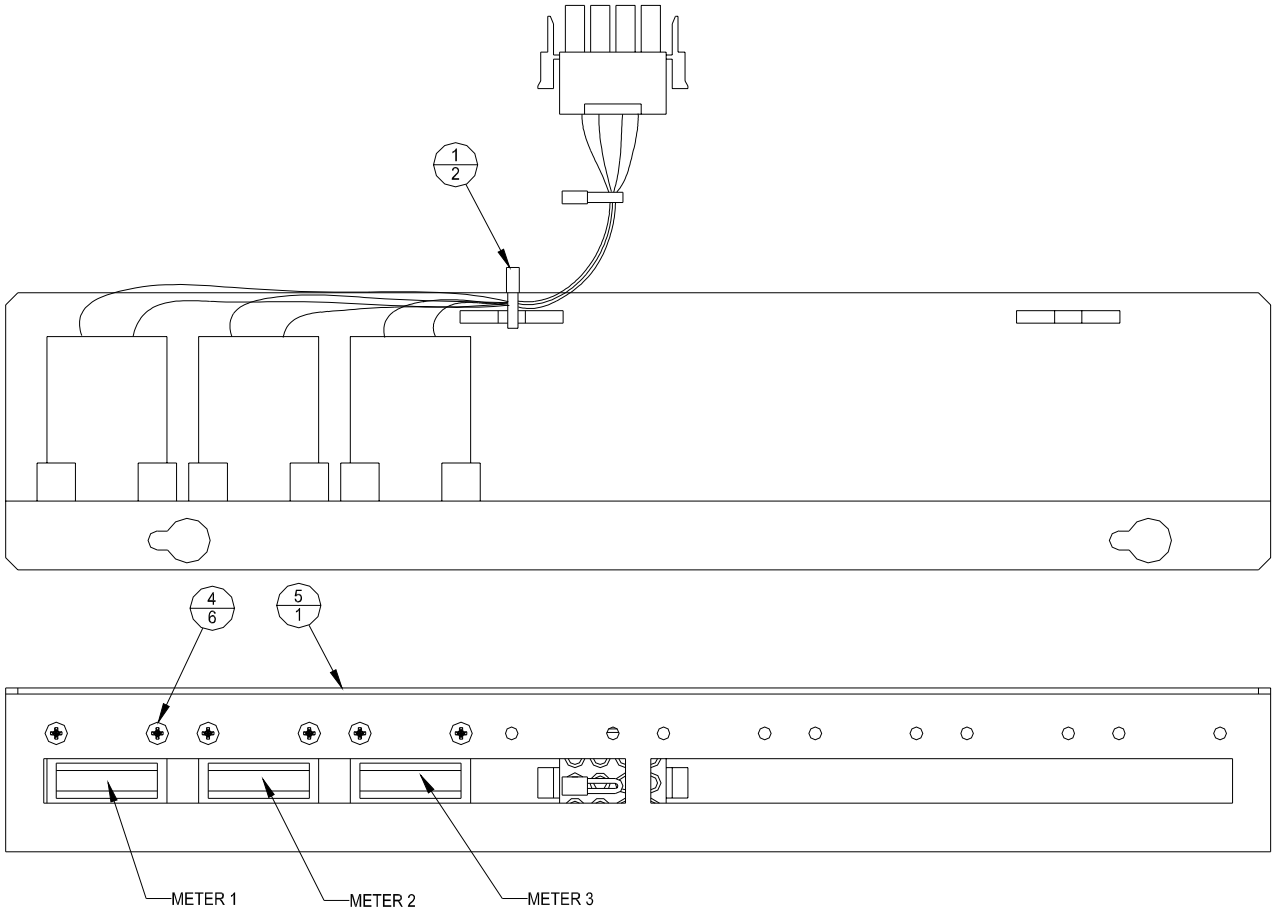
Cabinet Assembly

Meter Assembly (Cont.) AS-04225-(SERIES)

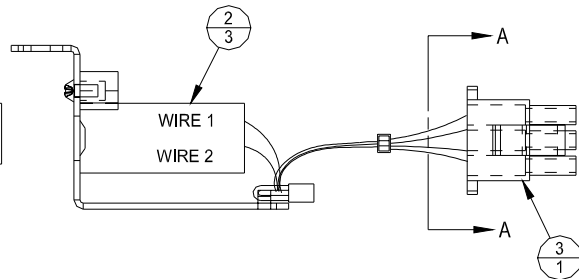
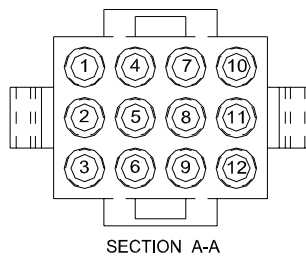
☑ V8717/☑ V8719/☑ Slant

AVAILABILITY:

PART #	DESCRIPTION	V8717	V8719
AS-04225-0080	Meter Assembly, 3	X	
AS-04225-0081	Meter Assembly, 3		X



WIRE DIAGRAM	
FROM	TO
METER 1-1	CONN 1-1
METER 1-2	CONN 1-2
METER 2-1	CONN 1-4
METER 2-2	CONN 1-5
METER 3-1	CONN 1-7
METER 3-2	CONN 1-8



REF	PART #	DESCRIPTION	QTY	PART #
1	E-00647-0004	Tie Wrap	2	-0080
				-0081
2	E-00664-0491	7-Digit Meter Assembly with 8-inch Lead	3	-0080
				-0081
				-0080
3	E-00808-0012	Connector Housing Plug	1	-0081

REF	PART #	DESCRIPTION	QTY	PART #
4	LSPP-M0350-1104	Screw, Metric Mach with Lock Phil Pan Hd	6	-0080
				-0081
5	P-09319-0557	Meter Mounting Bracket	1	-0080
	P-09319-0573	Meter Mounting Bracket	1	-0081



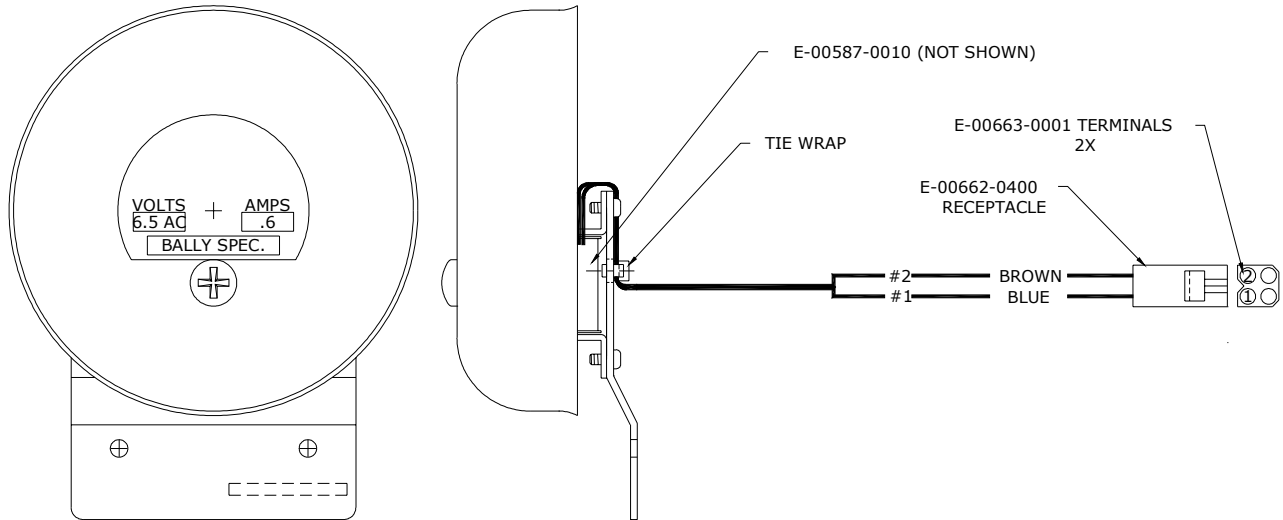
EVO™ V8717 / V8719

Cabinet Assembly

Bell and Receptacle

☑ V8717/☑ V8719/☑ Slant

E-00664-0466



|| Fan Assembly

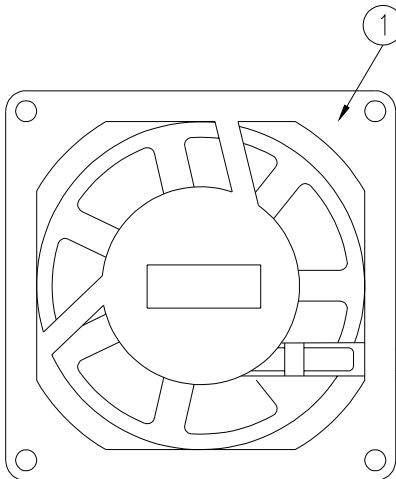
☑ V8717/☑ V8719/☑ Slant

E-00664-(SERIES)

Molex Fan Assembly, Box Type

E-00664-0499

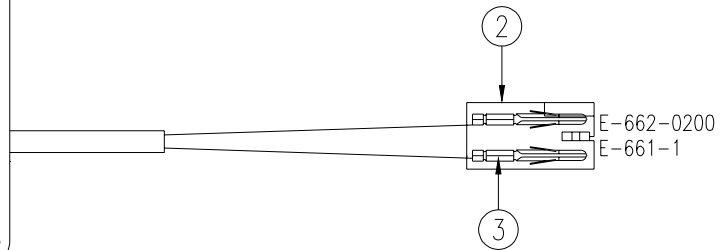
☑ V8717/☑ V8719/☑ Slant



REF	PART #	DESCRIPTION	QTY
1	E-00694-0019	Exhaust Fan	1
2	E-00662-0200	Molex Receptacle, .093, No Ears	1
3	E-00661-0001	Molex Terminal, .093	1

AVAILABILITY:

PART #	DESCRIPTION	V8717	V8719	SLANT
E-00664-0608	Fan/Heatsink Assembly, Celeron	X	X	X



|| Fan Assembly

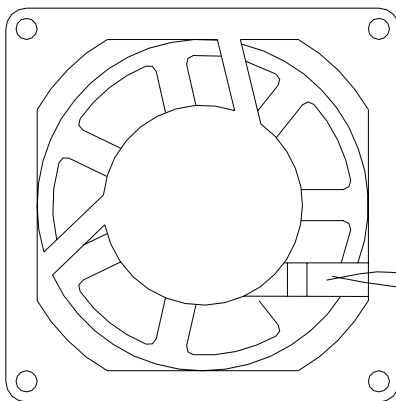
☑ V8717/☑ V8719/☑ Slant

E-00694-(SERIES)

Exhaust Fan

E-00694-0019

☑ V8717/☑ V8719/☑ Slant



EVO™ V8717 / V8719

Fan Assembly, 80 X 80 X 15MM

E-00694-0026

☑ V8717/☑ V8719

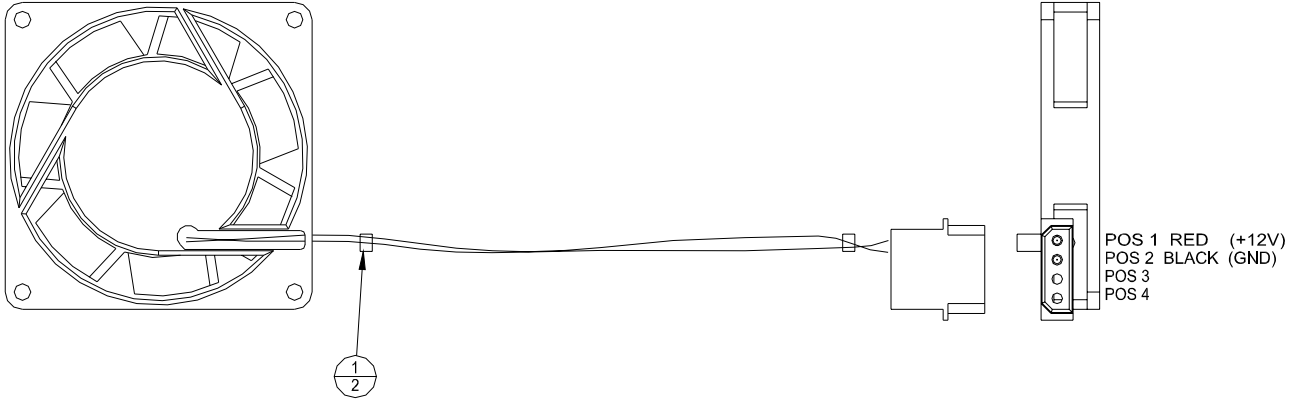
Cabinet Assembly

|| Fan Assembly (Cont.)

E-00694-(SERIES)

☑ V8717/☑ V8719/☑ Slant

REF	PART #	DESCRIPTION	QTY
1	E-00647-0004	Tie Wrap	2
2	E-00694-0026-1	Fan, Adda Part # AD0812HB-D71 or Orion Part # OD8015-12HB	1
3	E-00700-0008	Crimp Terminal, Disk Drive	2
4	E-00700-0009	Disk Drive Power Connector	1



|| Monitor

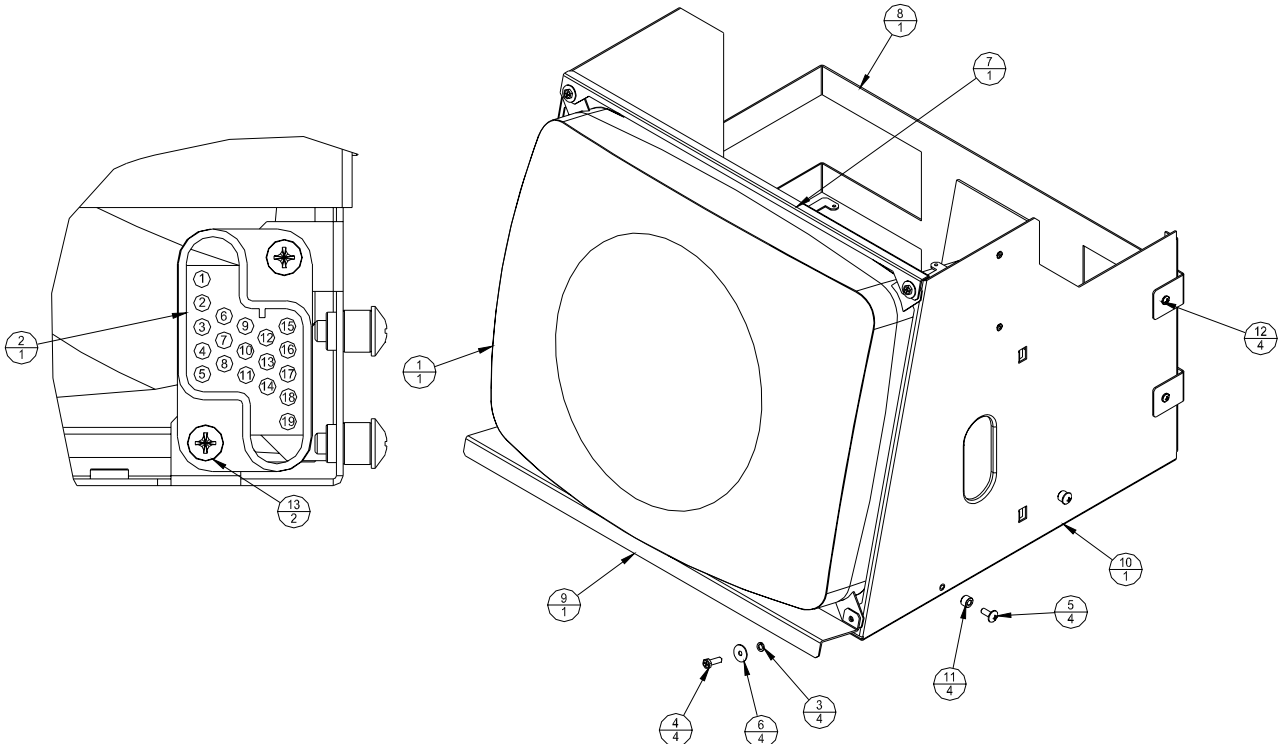
E-00832-(SERIES)

Monitor with Adjustable Touchscreen, Kortek

☑ V8717/☑ V8719

E-00832-0099

☑ V8719



REF	PART #	DESCRIPTION	QTY
1	19MONTUBE		1
2	E-01054-0019	Amp Receptacle	1
3	M-01705-0010	#10 Lock Washer	4
4	MSPH-01032-1110	Screw, Mach Phil Hex Hd	4
5	MSPT-01032-1108	Screw, Mach Truss Hd	4
6	P-00800-0029	#10 Flat Washer	4
7	P-09319-0477	Bracket, Control Panel	1

REF	PART #	DESCRIPTION	QTY
8	P-09319-0478	Bracket, Tube Protector	1
9	P-09319-0552	Bracket, Monitor Pull	1
10	P-09400-0009	Frame, Monitor	1
11	S-00231-1009	.375 OD x .190 ID x .25 Large Spacer	4
12	TFPP-00832-1104	Screw, 8-32 x 1/4 Thd Form Phil Pan Hd	4
13	TFPP-00832-1108	Screw, 8-32 x 1/2 Thd Form Phil Pan Hd	2



EVO™ V8717 / V8719

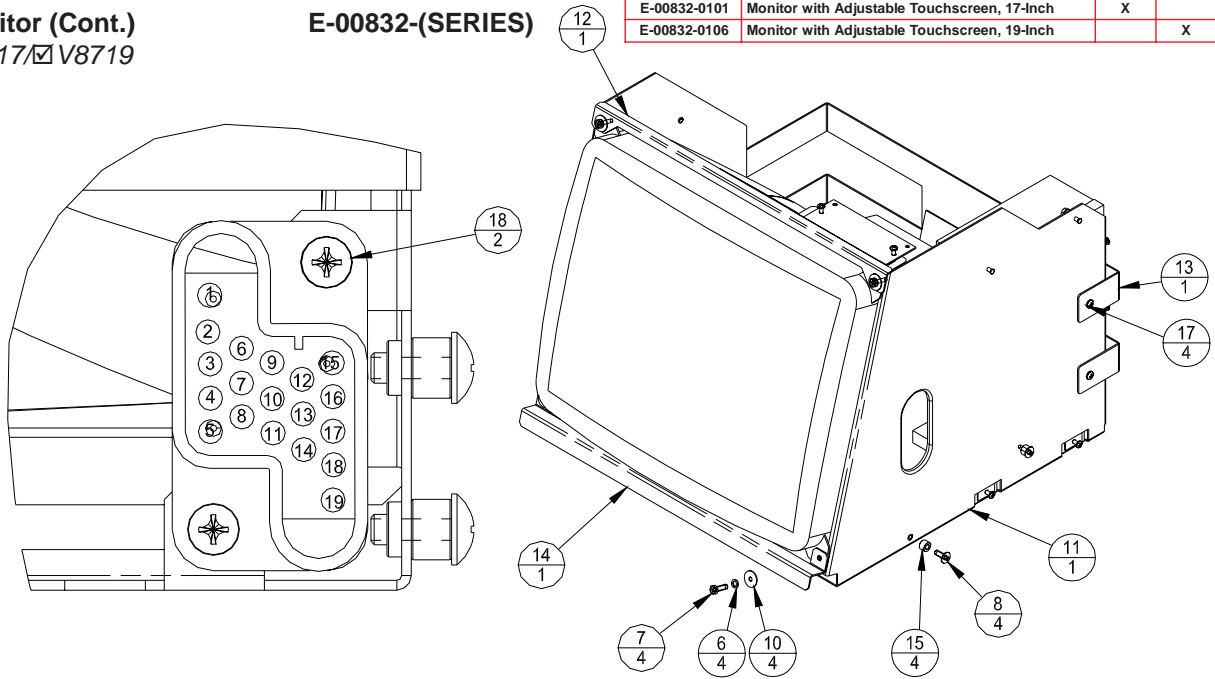
Cabinet Assembly

|| Monitor (Cont.)
 V8717 V8719

E-00832-(SERIES)

AVAILABILITY:

PART #	DESCRIPTION	V8717	V8719
E-00832-0101	Monitor with Adjustable Touchscreen, 17-Inch	X	
E-00832-0106	Monitor with Adjustable Touchscreen, 19-Inch		X



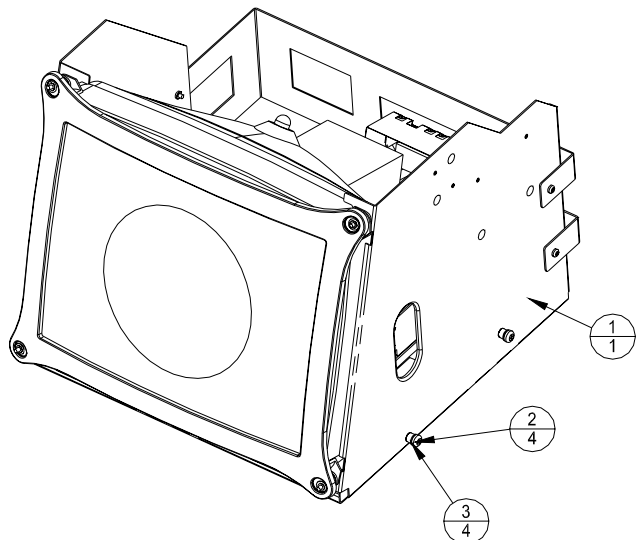
REF	PART #	DESCRIPTION	QTY	PART #
1	E-00832-0101CRT	17-Inch CRT	1	-0101
	E-00832-0099CRT	19-Inch CRT	1	-0106
2	E-00832-0101CTRL		1	-0101
	E-00832-0099PCB		1	-0106
3	E-00832-0101PCB		1	-0101
	E-00832-0099 PCB		1	-0106
4	E-00832-0101PCB_MTG		1	-0101
	E-00832-0099PCB_MTG		1	-0106
5	E-01054-0019	Receptacle, 19-Pin Drawer	1	-0101 -0106
6	M-01705-0010	#10 Lock Washer	4	-0101
				-0106
7	MSPH-01032-1110	Screw, Mach Phil Hex Hd	4	-0101
				-0106
8	MSPT-01032-1110	Screw, Mach Truss Hd	4	-0101
				-0106
9	NLS-00632-1112	Hex Nut	2	-0101
				-0106

REF	PART #	DESCRIPTION	QTY	PART #
10	P-00800-0029	#10 Flat Washer	4	-0101
				-0106
11	P-09400-0019	Frame, 17-Inch Monitor	1	-0101
	P-09400-0011	Frame, 19-Inch Monitor	1	-0106
12	P-09400-0020	Bracket, Control Panel	1	-0101
	P-09400-0012	Bracket, Control Panel	1	-0106
13	P-09400-0021	Bracket, Tube Protect	1	-0101
	P-09400-0013	Bracket, Tube Protect	1	-0106
14	P-09400-0022	Bracket, Monitor Pull	1	-0101
	P-09400-0014	Bracket, Monitor Pull	1	-0106
15	S-00231-1009	.375 OD x .190 ID x .25 Large Spacer	4	-0101
				-0106
16	TFPP-00632-1104	Screw, 6-32 x 1/4 Thd Form Phil Pan Hd	6	-0101
17	TFPP-00832-1104	Screw, 8-32 x 1/4 Thd Form Phil Pan Hd	4	-0101
				-0106
18	TFPP-00832-1108	Screw, 8-32 x 1/2 Thd Form Phil Pan Hd	2	-0101 -0106

AVAILABILITY:

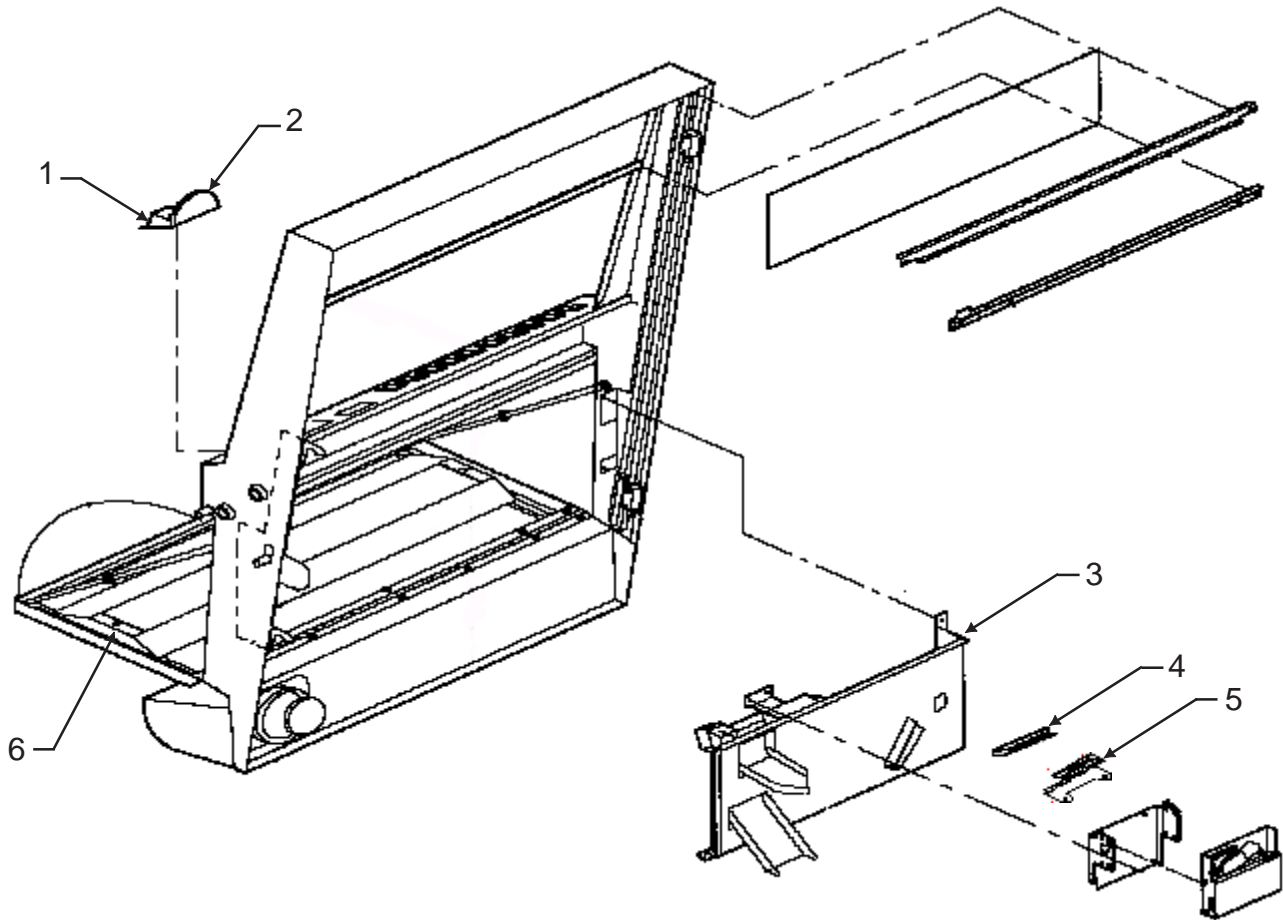
PART #	DESCRIPTION	V8717	V8719
E-00832-0109	ELO Monitor with Touchscreen, 17-Inch	X	
E-00832-0110	ELO Monitor with Touchscreen, 19-Inch		X

REF	PART #	DESCRIPTION	QTY	PART #
1	BALLY-ASM-29	ELO Monitor Assembly with Housing	1	-0109
	BALLY-ET19-UPRIGHT-ASM-3	ELO Monitor Assembly with Housing	1	-0110
2	MSPT-01032-1108	Screw, Mach Truss Hd	4	-0109
				-0110
3	S-00231-1009	.375 OD x .190 ID x .25 Large Spacer	4	-0109
				-0110



EVO™ V8717 / V8719

Door Assembly



ITEM	PART #	DESCRIPTION	PAGE
1	C-04711-(SERIES)	Coin Head Base	8
2	C-04110-(SERIES)	Back Plate	8
3	AS-03210-(SERIES)	Coin Panel	50
4	P-09319-(SERIES)	Coin Guide	7
	P-09322-(SERIES)	Coin Guide	7
5	P-09319-(SERIES)	Coin Head Clamp Bracket	7

ITEM	PART #	DESCRIPTION	PAGE
6	AS-03361-0026	Belly Glass Light Assembly	47
	AS-08514-(SERIES)	V8717 Door Assembly	37
	AS-07210-(SERIES)	V8719 Door Assembly	39
	A-1781X-(SERIES)	Button Deck/Player Panel	41
	BL-047XX-(SERIES)	Legend Plate	43

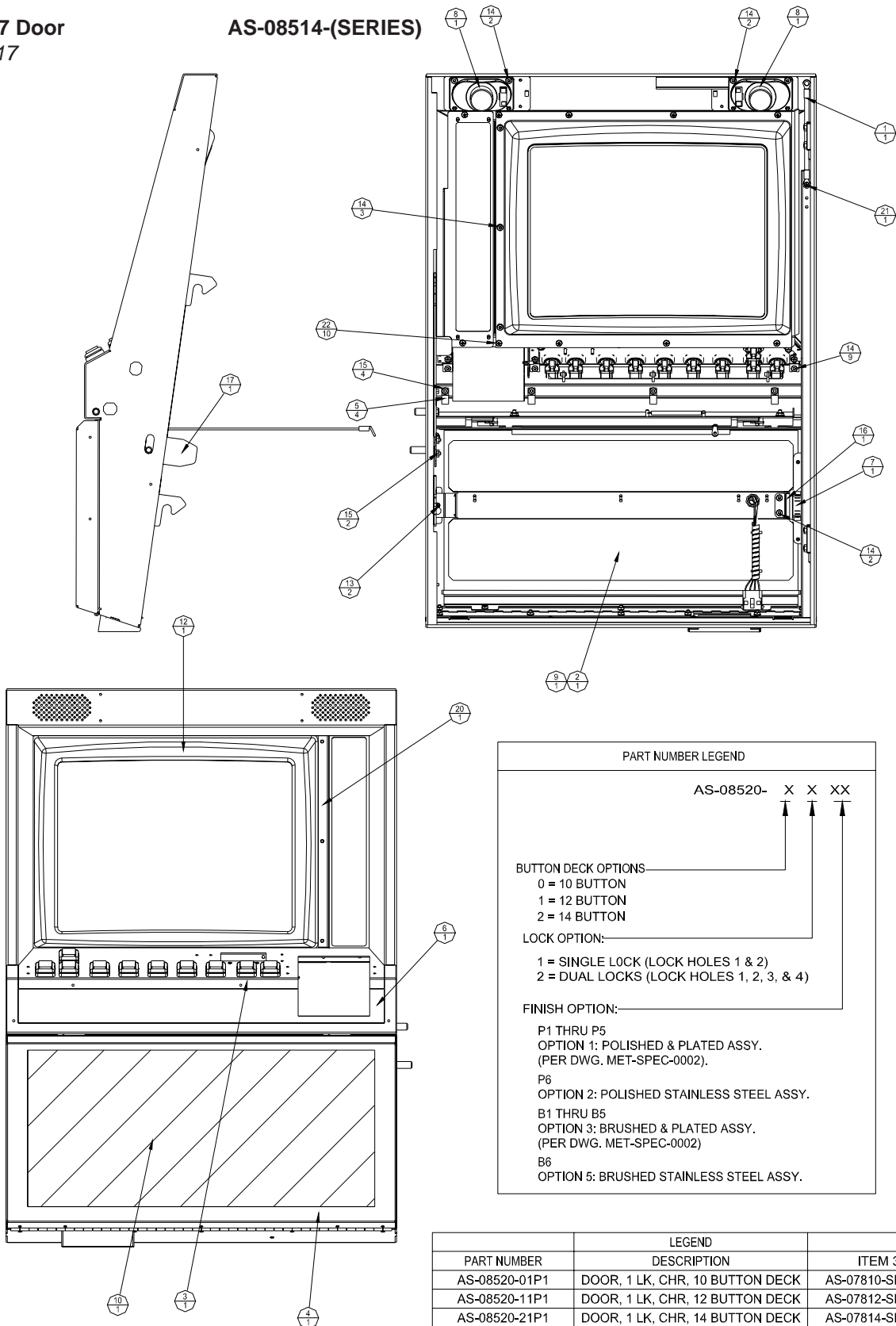


EVO™ V8717 / V8719

Door Assembly

V8717 Door
 V8717

AS-08514-(SERIES)



PART NUMBER LEGEND

AS-08520- X X XX

BUTTON DECK OPTIONS:

- 0 = 10 BUTTON
- 1 = 12 BUTTON
- 2 = 14 BUTTON

LOCK OPTION:

- 1 = SINGLE LOCK (LOCK HOLES 1 & 2)
- 2 = DUAL LOCKS (LOCK HOLES 1, 2, 3, & 4)

FINISH OPTION:

- P1 THRU P5
OPTION 1: POLISHED & PLATED ASSY.
(PER DWG. MET-SPEC-0002).
- P6
OPTION 2: POLISHED STAINLESS STEEL ASSY.
- B1 THRU B5
OPTION 3: BRUSHED & PLATED ASSY.
(PER DWG. MET-SPEC-0002)
- B6
OPTION 5: BRUSHED STAINLESS STEEL ASSY.

PART NUMBER	LEGEND DESCRIPTION	ITEM 3
AS-08520-01P1	DOOR, 1 LK, CHR, 10 BUTTON DECK	AS-07810-SERIES
AS-08520-11P1	DOOR, 1 LK, CHR, 12 BUTTON DECK	AS-07812-SERIES
AS-08520-21P1	DOOR, 1 LK, CHR, 14 BUTTON DECK	AS-07814-SERIES



EVO™ V8717 / V8719

Door Assembly

| V8717 Door (Cont.) AS-08514-(SERIES)

V8717

REF	PART #	DESCRIPTION	QTY
1	AS-03106-0010	Ground Strap Assembly, 4-Inch	1
2	AS-03361-0026	Belly Glass Light Assembly	1
3	AS-07810-SERIES	10 Button Deck Assembly (See Legend)	1
4	AS-08518-SERIES	Common Door Assembly	1
5	C-00271-0006	Clip	4
6	C-04715-1XXX	Door Trim	1
7	E-00108-0385	Door Push Switch	1
8	E-00281-0035	Speaker	2
9	E-00412-0013	Fluorescent Lamp, F15T8/CW	1
10	G-R0595	Belly Glass	1
11	M-01777-5675	Monitor Bezel Gasket	1

REF	PART #	DESCRIPTION	QTY
12	M-02031-0038	Monitor Bezel	1
13	MSPP-00632-1104	Screw, Mach Phil Pan Hd	2
14	NLS-00632-1112	Hex Nut	18
15	NLS-00832-1112	Hex Nut	6
16	P-06004-0020	Belly Door Open Bracket	1
17	P-06004-0135	Door Guide	1
18	P-09322-0342L	Door Trim Mounting Strip, Left	1
19	P-09322-0342R	Door Trim Mounting Strip, Right	1
20	P-18527-0006	Door Panel	1
21	TFPP-00632-1104	Screw, 6-32 x 1/4 Thd Form Phil Pan Hd	1
22	TFPP-00832-1104	Screw, 8-32 x 1/4 Thd Form Phil Pan Hd	10

AVAILABILITY:

PART #	DESCRIPTION
AS-08520-01P1	Chrome, 10 Button, Locks (1 Belly/1 Main), Speaker
AS-08520-01P4	Gold, 10 Button, Locks (1 Belly/1 Main), Speaker
AS-08520-02P1	Chrome, 10 Button, Locks (2 Belly/2 Main), Speaker
AS-08520-02P4	Gold, 10 Button, Locks(2 Belly/2 Main), Speaker
AS-08520-03P1	Chrome, 10 Button, Locks (1 Belly/2 Main), Speaker
AS-08520-11P1	Chrome, 12 Button, Locks (1 Belly/1 Main), Speaker
AS-08520-11P4	Gold, 12 Button, Locks (1 Belly/1 Main), Speaker
AS-08520-12P1	Chrome, 12 Button, Locks(2 Belly/2 Main), Speaker
AS-08520-12P4	Gold, 12 Button, Locks(2 Belly/2 Main), Speaker
AS-08520-13P1	Chrome, 12 Button, Locks (1 Belly/2 Main), Speaker
AS-08520-21P1	Chrome, 14 Button, Locks (1 Belly/1 Main), Speaker
AS-08520-21P4	Gold, 14 Button, Locks (1 Belly/1 Main), Speaker
AS-08520-22P1	Chrome, 14 Button, Locks(2 Belly/2 Main), Speaker
AS-08520-22P4	Gold, 14 Button, Locks(2 Belly/2 Main), Speaker
AS-08520-31P1	Chrome, 13 Button, Locks (1 Belly/1 Main), Speaker
AS-08520-41P1	Chrome, A/A, Locks (1 Belly/1 Main), Speaker
AS-08520-42P1	Chrome, A/A, Locks(2 Belly/2 Main), Speaker
AS-08520-52P1	Chrome, 10 Button (Rectangle), Locks (1 Belly/1 Main), Speaker
AS-08520-52P4	Chrome, 10 Button (Rectangle), Locks(2 Belly/2 Main), Speaker
AS-08520-61P1	Chrome, 10 Button (Poker), Locks (1 Belly/1 Main),Speaker
AS-08520-61P4	Gold, 10 Button (Poker), Locks (1 Belly/1 Main), Speaker
AS-08520-62P1	Chrome, 10 Button (Poker), Locks (1 Belly/1 Main), Speaker
AS-08520-63P1	Chrome, 10 Button (Poker), Locks (1 Belly/2 Main), Speaker
AS-08520-71P1	Chrome, 5 Button, Locks (1 Belly/1 Main), Speaker



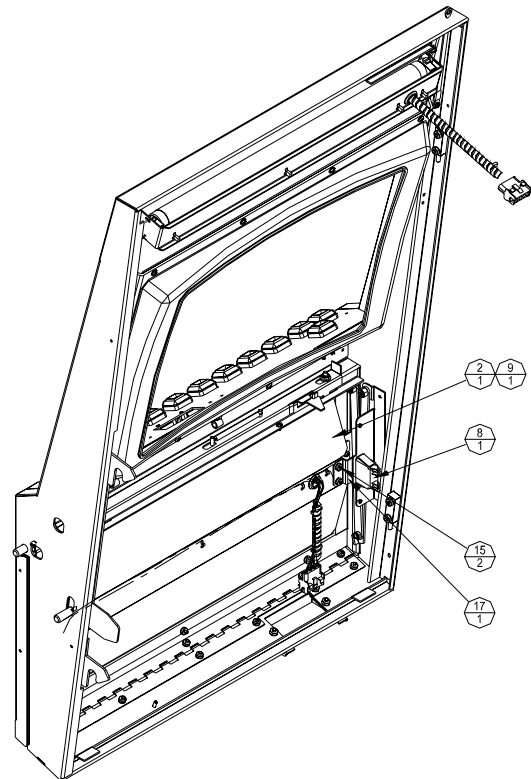
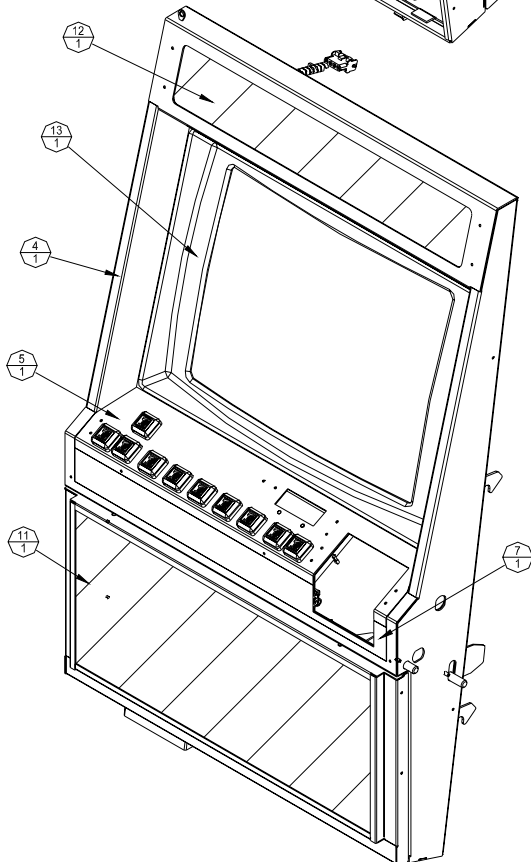
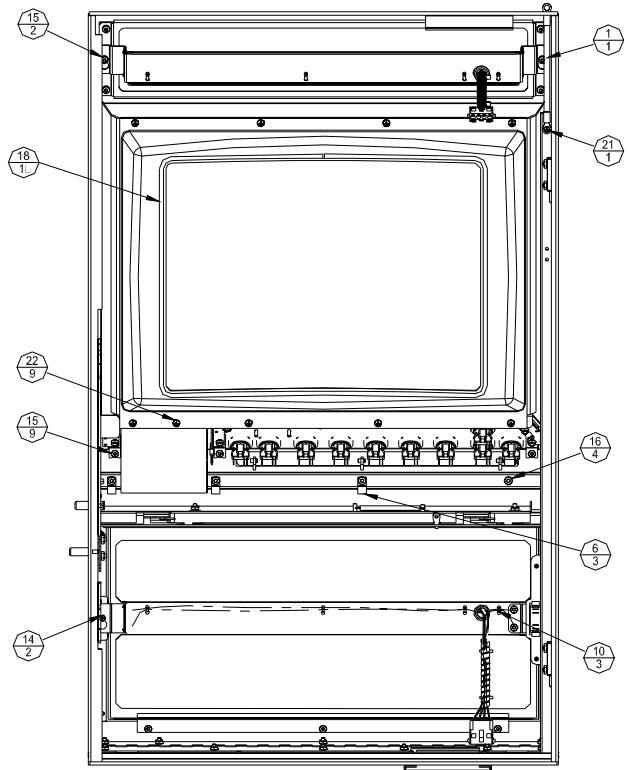
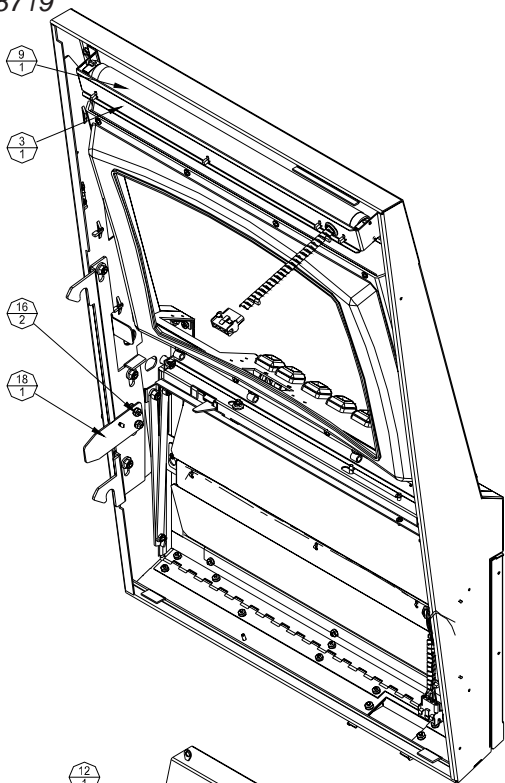
EVO™ V8717 / V8719

Door Assembly

V8719 Door

AS-07210-(SERIES)

☑ V8719



EVO™ V8717 / V8719

Door Assembly

V8719 Door (Cont.)

AS-07210-(SERIES)

V8719

AVAILABILITY:

PART #	DESCRIPTION
AS-07210-01P1	Chrome, 10 Button, Locks (1 Belly/1 Main)
AS-07210-01P4	Gold, 10 Button, Locks (1 Belly/1 Main)
AS-07210-02P1	Chrome, 10 Button, Locks (2 Belly/2 Main)
AS-07210-11P1	Chrome, 12 Button, Locks (1 Belly/1 Main)
AS-07210-11P4	Gold, 12 Button, Locks (1 Belly/1 Main)
AS-07210-12P1	Chrome, 12 Button, Locks (2 Belly/2 Main)
AS-07210-21P1	Chrome, 14 Button, Locks (1 Belly/1 Main)
AS-07210-22P1	Chrome, 14 Button, Locks (2 Belly/2 Main)
AS-07210-22P4	Gold, 14 Button, Locks (2 Belly/2 Main)
AS-07210-31P1	Chrome, 13 Button, Locks (1 Belly/1 Main)
AS-07210-41P1	Chrome, A/A, Locks (1 Belly/1 Main)
AS-07210-42P1	Chrome, A/A, Locks (2 Belly/2 Main)
AS-07210-51P1	Chrome, 10 Button (Rectangle), Locks (1 Belly/1 Main)
AS-07210-52P1	Chrome, 10 Button (Rectangle), Locks (2 Belly/2 Main)
AS-07210-71P1	Chrome, Button, Locks (1 Belly/1 Main)

PART NUMBER LEGEND

AS-07210- X X XX

BUTTON DECK OPTIONS: _____
(REFERENCE ONLY)

0 = 10 BUTTON DECK
1 = 12 BUTTON DECK
2 = 14 BUTTON DECK
3 = 13 BUTTON DECK
4 = AUDIO ASSIST
5 = RCT BUTTON DECK (FRANCE)
6 = 10 BUTTON POKER DECK
7 = 5 BUTTON DECK

LOCK OPTION: _____

1 = SINGLE LOCK (LOCK HOLES 1 & 2)
2 = DUAL LOCKS (LOCK HOLES 1, 2, 3, & 4)

FINISH OPTION: _____

P1 THRU P5
OPTION 2: POLISHED AND PLATED ASSY
(PER BALLY DWG MET-SPEC-0002)

P6
OPTION 3: POLISHED STAINLESS STEEL ASSY

B1 THRU B5
OPTION 4: BRUSHSHED AND PLATED ASSY
(PER BALLY DWG MET-SPEC-0002)

B6
OPTION 5: BRUSHED STAINLESS STEEL ASSY

ASSEMBLY LEGEND		
PART NUMBER	DESCRIPTION	ITEM 4, CM DOOR
AS-07210-01P1	DOOR ASSY, 1 LK, CHROME	AS-07201-01P1
AS-07210-02P1	DOOR ASSY, 2 LK, CHROME	AS-07201-02P1
AS-07210-01P4	DOOR ASSY, 1 LK, GOLD	AS-07201-01P4
AS-07210-02P4	DOOR ASSY, 2 LK, GOLD	AS-07201-02P4

REF	PART #	DESCRIPTION	QTY
1	AS-03106-0010	Ground Strap Assembly, 4-Inch	1
2	AS-03361-0026	Belly Glass Light Assembly	1
3	AS-03361-0036	Upper Door Light Assembly	1
4	AS-07201-SERIES	Common Door Assembly (See Legend)	1
5	AS-07810-SERIES	10 Button Deck Assembly	1
6	C-00271-0004	Clip	3
7	C-04715-1XXX	Door Trim	1
8	E-00108-0385	Door Push Switch	1
9	E-00412-0013	Fluorescent Lamp, F15T8/CW	2
10	E-00647-0004	Tie Wrap	3
11	G-R0595	Belly Glass	1
12	G-R0723	Upper Door Glass	1

REF	PART #	DESCRIPTION	QTY
13	M-02031-0029	Monitor Bezel	1
14	MSPP-00632-1104	Screw, Mach Phil Pan Hd	2
15	NLS-00632-1112	Hex Nut	13
16	NLS-00832-1112	Hex Nut	6
17	P-06004-0020	Belly Door Open Bracket	1
18	P-06004-0135	Door Guide	1
19	P-09322-0342L	Door Trim Mounting Strip, Left	1
20	P-09322-0342R	Door Trim Mounting Strip, Right	1
21	TFPP-00632-1104	Screw, 6-32 x 1/4 Thd Form Phil Pan Hd	1
22	TFPP-00832-1104	Screw, 8-32 x 1/4 Thd Form Phil Pan Hd	9
18	M-01777-5676	Monitor Bezel Gasket	1

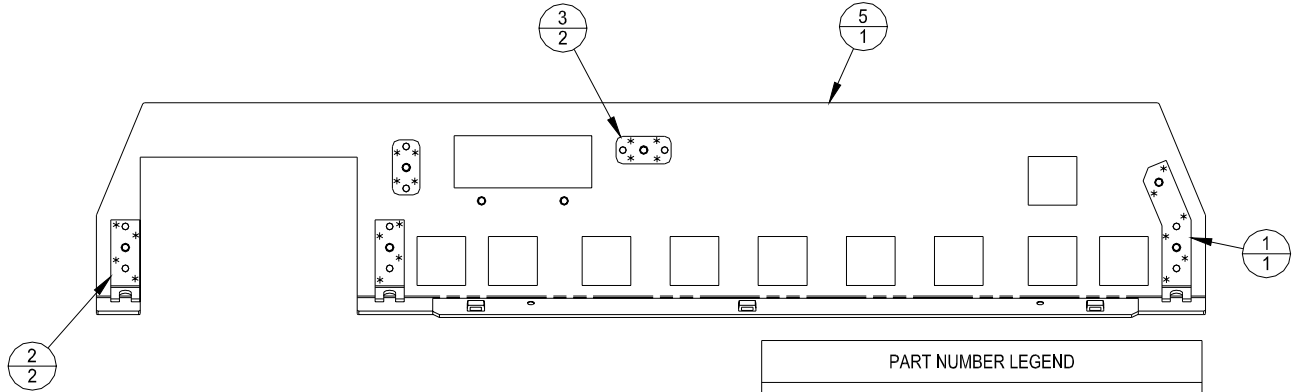


EVO™ V8717 / V8719

Door Assembly

Button Deck/Player Panel A-1781x-(SERIES)
 V8717 V8719

10-Button Deck/Player Panel A-17810-(SERIES)
 V8717 V8719



REF	PART #	DESCRIPTION	QTY
1	P-07800-0001	Deck Mounting Bracket, Left	1
2	P-07800-0002	Deck Mounting Bracket, Right	2
3	P-07800-0003	Deck Mounting Bracket, Top	2
4	P-07800-0011	Deck Wiring Bracket	1
5	P-07810-0001	10-Button Deck Plate	1

AVAILABILITY:

PART #	DESCRIPTION
A-17810-00P1	10-Button Deck, Polished Chrome
A-17810-00P4	10-Button Deck, Polished Gold

PART NUMBER LEGEND

A-17810-00 XX

FINISH OPTION _____

P1 THRU P5

OPTION 2: POLISHED & PLATED ASSY
(PER DRAWING, MET-SPEC-0002)

P6

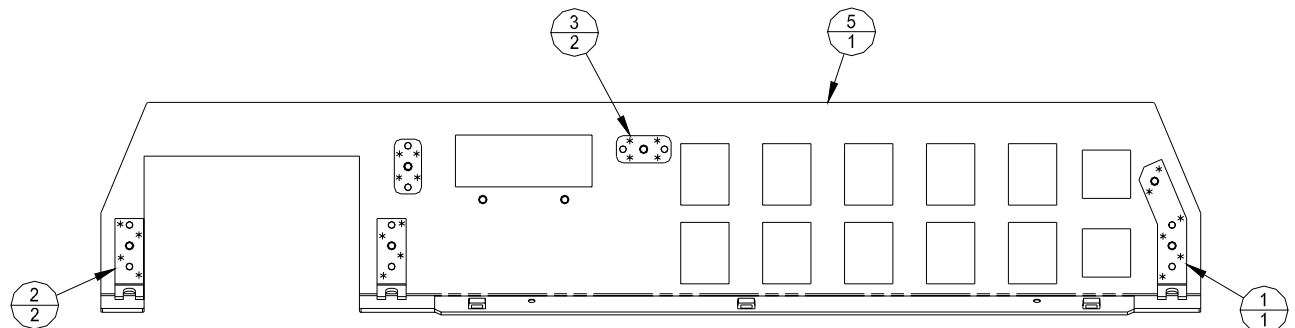
OPTION 3: POLISHED STAINLESS STEEL ASSY
B1 THRU B5

OPTION 4: BRUSHED & PLATED ASSY
(PER DRAWING, PC-SPEC-0001, TABLE "A")

B6

OPTION 5: BRUSHED STAINLESS STEEL ASSY

12-Button Deck/Player Panel A-17812-(SERIES)
 V8717 V8719



REF	PART #	DESCRIPTION	QTY
1	P-07800-0001	Deck Mounting Bracket, Left	1
2	P-07800-0002	Deck Mounting Bracket, Right	2
3	P-07800-0003	Deck Mounting Bracket, Top	2
4	P-07800-0011	Deck Wiring Bracket	1
5	P-07812-0001	12-Button Deck Plate	1

AVAILABILITY:

PART #	DESCRIPTION
A-17812-00P1	12-Button Deck, Polished Chrome
A-17812-00P4	12-Button Deck, Polished Gold

PART NUMBER LEGEND

A-17812-00 XX

FINISH OPTION _____

P1 THRU P5

OPTION 2: POLISHED & PLATED ASSY
(PER DRAWING, MET-SPEC-0002)

P6

OPTION 3: POLISHED STAINLESS STEEL ASSY
B1 THRU B5

OPTION 4: BRUSHED & PLATED ASSY
(PER DRAWING, PC-SPEC-0001, TABLE "A")

B6

OPTION 5: BRUSHED STAINLESS STEEL ASSY

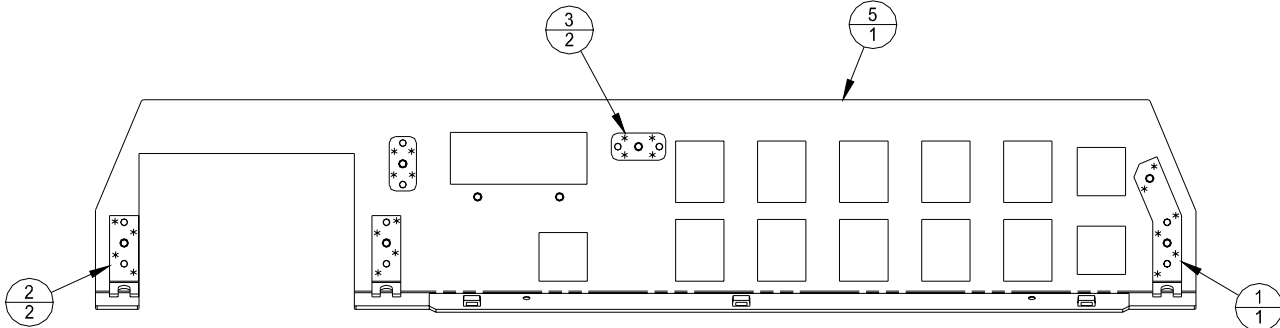
EVO™ V8717 / V8719

Door Assembly

Button Deck/Player Panel (Cont.) A-1781x-(SERIES)

☑ V8717/☑ V8719

13-Button Deck/Player Panel A-17813-(SERIES)
☑ V8717/☑ V8719



REF	PART #	DESCRIPTION	QTY
1	P-07800-0001	Deck Mounting Bracket, Left	1
2	P-07800-0002	Deck Mounting Bracket, Right	2
3	P-07800-0003	Deck Mounting Bracket, Top	2
4	P-07800-0011	Deck Wiring Bracket	1
5	P-07813-0001	13-Button Deck Plate	1

AVAILABILITY:

PART #	DESCRIPTION
A-17813-00P1	13-Button Deck, Polished Chrome
A-17813-00P4	13-Button Deck, Polished Gold

PART NUMBER LEGEND

A-17813-00 XX

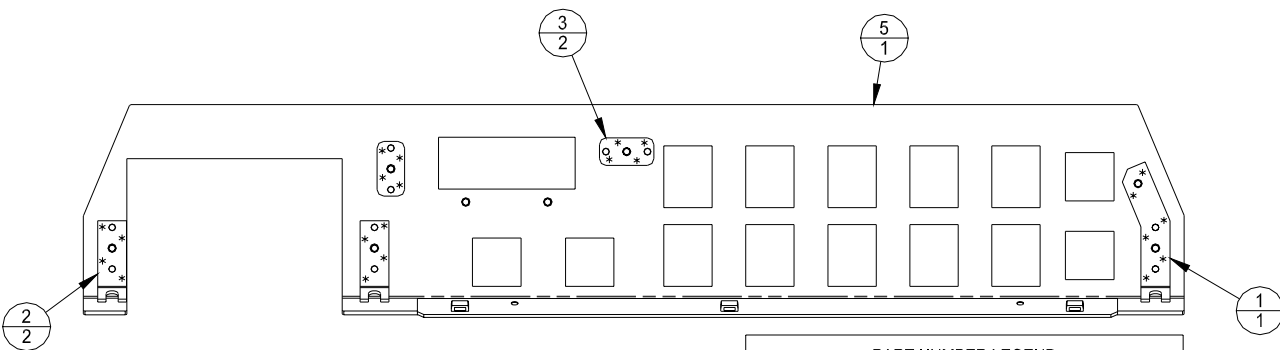
FINISH OPTION _____

P1 THRU P5
OPTION 2: POLISHED & PLATED ASSY
(PER DRAWING, MET-SPEC-0002)

P6
OPTION 3: POLISHED STAINLESS STEEL ASSY
B1 THRU B5
OPTION 4: BRUSHED & PLATED ASSY
(PER DRAWING, PC-SPEC-0001, TABLE "A")

B6
OPTION 5: BRUSHED STAINLESS STEEL ASSY

14-Button Deck/Player Panel A-17814-(SERIES)
☑ V8717/☑ V8719



REF	PART #	DESCRIPTION	QTY
1	P-07800-0001	Deck Mounting Bracket, Left	1
2	P-07800-0002	Deck Mounting Bracket, Right	2
3	P-07800-0003	Deck Mounting Bracket, Top	2
4	P-07800-0011	Deck Wiring Bracket	1
5	P-07814-0001	14-Button Deck Plate	1

AVAILABILITY:

PART #	DESCRIPTION
A-17814-00P1	14-Button Deck, Polished Chrome
A-17814-00P4	14-Button Deck, Polished Gold

PART NUMBER LEGEND

A-17814-00 XX

FINISH OPTION _____

P1 THRU P5
OPTION 2: POLISHED & PLATED ASSY
(PER DRAWING, MET-SPEC-0002)

P6
OPTION 3: POLISHED STAINLESS STEEL ASSY
B1 THRU B5
OPTION 4: BRUSHED & PLATED ASSY
(PER DRAWING, PC-SPEC-0001, TABLE "A")

B6
OPTION 5: BRUSHED STAINLESS STEEL ASSY



EVO™ V8717 / V8719

Door Assembly

Legend Plate

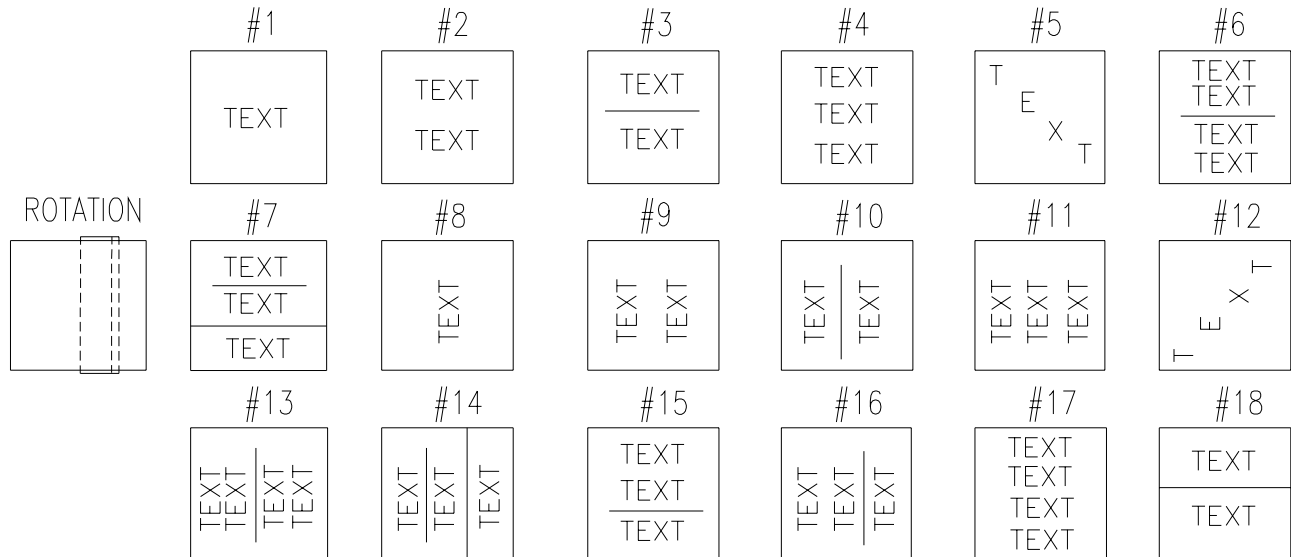
V8717 V8719 Slant

BL-047XX-(SERIES)

Square Legend Plate

V8717 V8719 Slant

BL-04738-(SERIES)



B: GERMAN E. EAST CANADIAN FRENCH\ENGLISH H: ESTONIAN
 C: SPANISH F: (PORTUGUESE ie. BRAZIL) J: ENG/FR ONTARIO
 D: FRENCH G: PORTUGUESE K: RUSSIAN

ASSEMBLY #	LEGEND MESSAGE	ENGLISH TRANSLATION	TEXT SPECS.	LEGEND PLATE COLOR	V8717	V8719	SLANT
BL-04738-0002	Hold/Cancel		3 A	White	X	X	
BL-04738-0003	Deal/Draw		3 A	White	X	X	
BL-04738-0004	Max Bet		2 A	White	X	X	X
BL-04738-0005	Bet One		2 A	White	X	X	
BL-04738-0006	Cash Out		2 A	White	X		
BL-04738-0007	Change		1 A	Red	X	X	
BL-04738-0015	Cash/Credit		3 A	White	X	X	
BL-04738-0024	Print Ticket		2 A	White	X	X	
BL-04738-0032	Mise/MaxBet	Bet Max	4 A E	White	X		
BL-04738-0050	Collect		1 A	White	X	X	X
BL-04738-0059	Apuesta Maxima	Bet Max	2 A C	White	X	X	X
BL-04738-0060	Apuesta Uno	Bet One	2 A C	White		X	
BL-04738-0062	Cambio	Change	1 A C	Red		X	
BL-04738-0063	Pago/Credito	Cash/Credit	3 A C	White		X	
BL-04738-0092	Service		1 A	Red	X	X	X
BL-04738-0101	Colecte	Collect	1 A C	White	X	X	X
BL-04738-0102	Servicio	Service	1 A C	Red	X	X	X
BL-04738-0145	Bex Max Credits Per Line		4 A	White	X	X	
BL-04738-0171	Apuegue Maximo de Creditos Por Linea	Bet Max Credits Per Line	17 A C	White			X
BL-04738-0173	Repeat Last Bet		2 A	White	X	X	X
BL-04738-0174	Audio Assist		2 A	White	X	X	
BL-04738-0176	Repita Ultima Aquesta	Repeat Last Bet	2 A C	White	X	X	X
BL-04738-0177		Collect	1 A K	White	X	X	X
BL-04738-0178		Service	1 A K	White	X	X	X
BL-04738-0179		Bet Max Credits Per Line	2 A K	White	X	X	X
BL-04738-0180		Repeat Last Bet	2 A K	White	X	X	X
BL-04738-0213	Encaisser/Collect		6 A E	White	X		
BL-04738-0214	Repeter Derniere Mise/Repeat Last Bet		6 A E	White	X		

EVO™ V8717 / V8719

Door Assembly

| Legend Plate (Cont.)

BL-047XX-(SERIES)

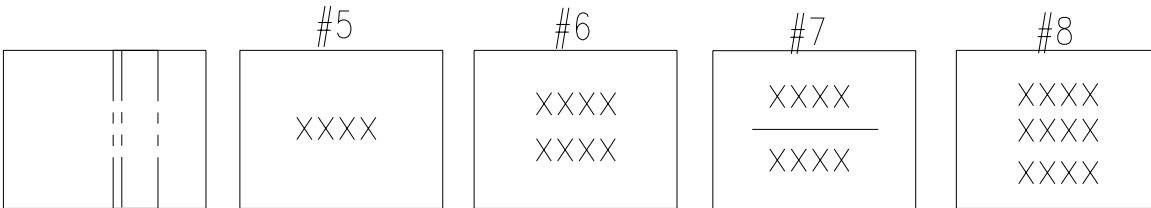
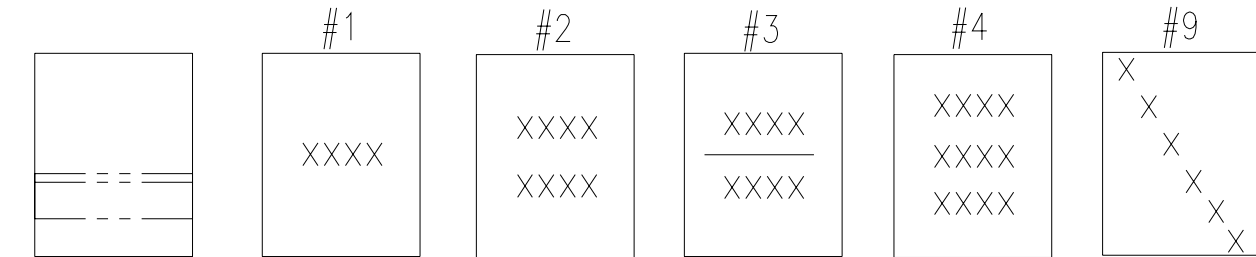
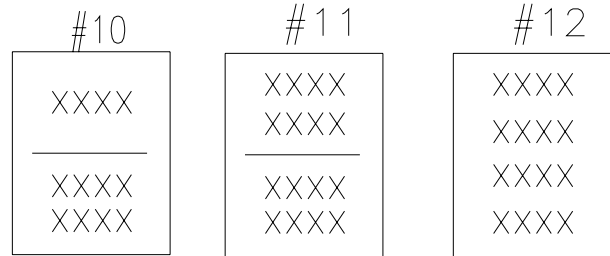
V8717 V8719 Slant

| Rectangular Legend Plate

BL-04745-(SERIES)

V8717 V8719 Slant

B: GERMAN F. PORTUGUESE
 C: SPANISH G. ESTONIAN
 D: FRENCH H. RUSSIAN
 E. EAST CANADIAN FRENCH/ENGLISH



ASSEMBLY #	LEGEND MESSAGE	ENGLISH TRANSLATION	TEXT SPECS.	LEGEND PLATE COLOR	V8717	V8719	SLANT
BL-04745-0042	Play 1 Line		2 A	White	X	X	X
BL-04745-0043	Play 3 Lines		2 A	White	X	X	X
BL-04745-0044	Play 5 Lines		2 A	White	X	X	X
BL-04745-0045	Play 7 Lines		2 A	White	X	X	X
BL-04745-0046	Play 9 Lines		2 A	White	X	X	X
BL-04745-0047	Bet 1 Credit Per Line		4 A	White	X	X	X
BL-04745-0048	Bet 2 Credits Per Line		4 A	White	X	X	X
BL-04745-0049	Bet 3 Credits Per Line		4 A	White	X	X	X
BL-04745-0050	Bet 4 Credits Per Line		4 A	White	X	X	X
BL-04745-0051	Bet 5 Credits Per Line		4 A	White	X	X	X
BL-04745-0053	Bet Max Credits Per Line		4 A	White	X	X	
BL-04745-0054	Play 2 Lines		2 A	White	X	X	X
BL-04745-0055	Play 4 Lines		2 A	White	X	X	X
BL-04745-0056	Juegue 1 Linea	Play 1 Line	4 A C	White	X	X	X
BL-04745-0058	Juegue 2 Lineas	Play 3 Lines	4 A C	White	X	X	X
BL-04745-0060	Juegue 5 Lineas	Play 5 Lines	4 A C	White	X	X	X
BL-04745-0061	Juegue 7 Lineas	Play 7 Lines	4 A C	White	X	X	X
BL-04745-0062	Juegue 9 Lineas	Play 9 Lines	4 A C	White	X	X	X
BL-04745-0063	Apuesta 1 Credito Por Linea	Bet 1 Credit Per Line	4 A C	White	X	X	X
BL-04745-0064	Apuesta 2 Creditos Por Linea	Bet 2 Credits Per Line	4 A C	White	X	X	X
BL-04745-0065	Apuesta 3 Creditos Por Linea	Bet 3 Credits Per Line	4 A C	White	X	X	X
BL-04745-0066	Apuesta 4 Creditos Por Linea	Bet 4 Credits Per Line	4 A C	White	X	X	X
BL-04745-0067	Apuesta 5 Creditos Por Linea	Bet 5 Credits Per Line	4 A C	White	X	X	X
BL-04745-0070	Bet 7 Credits Per line		4 A	White	X	X	X



EVO™ V8717 / V8719

Door Assembly

| Legend Plate (Cont.)

BL-047XX-(SERIES)

| Rectangular Legend Plate (Cont.)

V8717 V8719 Slant

BL-04745-(SERIES)

V8717 V8719 Slant

ASSEMBLY #	LEGEND MESSAGE	ENGLISH TRANSLATION	TEXT SPECS.	LEGEND PLATE COLOR	V8717	V8719	SLANT
BL-04745-0071	Bet 10 Credits Per Line		4 A	White	X	X	X
BL-04745-0072	Apuesta 7 Creditos Por Linea	Bet 7 Credits Per Line	4 A C	White	X	X	
BL-04745-0073	Apuesta 10 Creditos Por Linea	Bet 10 Creditos Per Line	4 A C	White	X	X	
BL-04745-0117	Play 15 Lines		2 A	White	X	X	X
BL-04745-0118	Juege 15 Lineas	Play 15 Lines	2 A D	White		X	X
BL-04745-0120		Play 1 Line	1 A H	White	X	X	X
BL-04745-0122		Play 3 Lines	1 A H	White	X	X	X
BL-04745-0124		Play 5 Lines	1 A H	White	X	X	X
BL-04745-0126		Play 7 Lines	1 A H	White	X	X	X
BL-04745-0128		Play 9 Lines	1 A H	White	X	X	X
BL-04745-0129		Bet 1 Credit Per Line	2 A H	White	X	X	X
BL-04745-0130		Bet 2 Credits Per Line	2 A H	White	X	X	
BL-04745-0131		Bet 3 Credits Per Line	2 A H	White	X	X	X
BL-04745-0132		Bet 4 Credits Per Line	2 A H	White	X	X	
BL-04745-0133		Bet 5 Credits Per Line	2 A H	White	X	X	X
BL-04745-0135		Bet 7 Credits Per Line	2 A H	White	X		X
BL-04745-0140	Bet 20 Credits Per Line		4 A	White	X	X	X
BL-04745-0141	Bet 30 Credits Per Line		4 A	White	X	X	X
BL-04745-0147		Bet 20 Credits Per Line	2 A H	White	X		
BL-04745-0148		Bet 30 Credits Per Line	2 A H	White	X		X
BL-04745-0152	Apuesta 20 Creditos Por Linea	Bet 20 Credits Per Line	4 A C	White	X		
BL-04745-0153	Apuesta 30 Creditos Por Linea	Bet 30 Credits Per Line	4 A C	White	X	X	
BL-04745-0154	Jouer 1 Ligne/Play 1 Line		11 A E	White	X		
BL-04745-0156	Jouer 3 Lignes/Play 3 Lines		11 A E	White	X		
BL-04745-0158	Jouer 5 Lignes/Play 5 Lines		11 A E	White	X		
BL-04745-0160	Jouer 7 Lignes/Play 7 Lines		11 A E	White	X		
BL-04745-0162	Jouer 9 Lignes/Play 9 Lines		11 A E	White	X		
BL-04745-0163	Miser 1 Credit Per Ligne/Bet 1 Credit Per Line		11 A E	White	X		
BL-04745-0164	Miser 2 Credits Par Ligne/Bet 2 Credits Per Line		11 A E	White	X		
BL-04745-0165	Miser 3 Credits Par Ligne/Bet 3 Credits Per Line		11 A E	White	X		
BL-04745-0166	Miser 4 Credits Par Ligne/Bet 4 Credits Per Line		11 A E	White	X		
BL-04745-0167	Miser 5 Credits Par Ligne/Bet 5 Credits Per Line		11 A E	White	X		

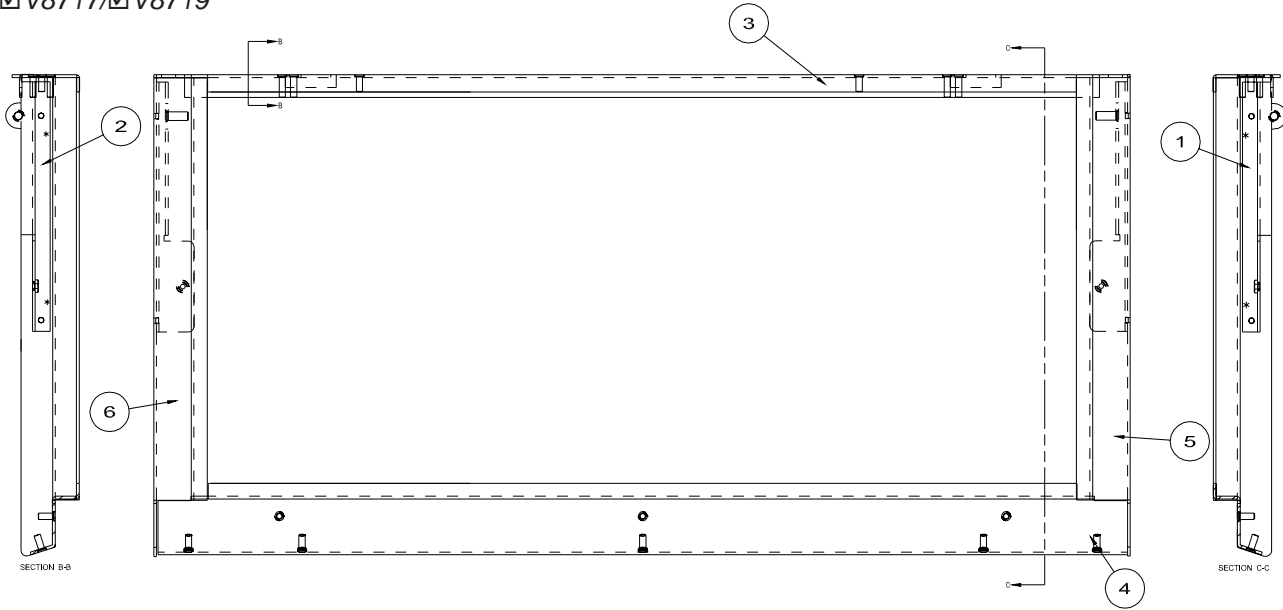
EVO™ V8717 / V8719

Door Assembly

| Belly Door Assembly

A-16512-0001

V8717/ V8719



REF	PART #	DESCRIPTION	QTY
1	P-06512-0101	Belly Door Mounting Bracket, Left	1
2	P-06512-0102	Belly Door Mounting Bracket, Right	1
3	P-06512-0103	Belly Door, Top	1

REF	PART #	DESCRIPTION	QTY
4	P-06512-0104	Belly Door, Bottom	1
5	P-06512-0105	Belly Door, Right Side	1
6	P-06512-0106	Belly Door, Left Side	1

| Illumination

**E-00125-(SERIES) and
E-0041X-(SERIES)**

V8717/ V8719/ Slant

PART #	DESCRIPTION	V8717	V8719	SLANT
E-00125-0089	Lamp, Incandescent, #159			X
E-00125-0121	Lamp, JKL 112, 12V, Xenon			X
E-00411-0007	Starter, Fluorescent, FS-5	X	X	X
E-00411-0008	Starter, Fluorescent, FS-2	X	X	X
E-00411-0009	Starter, Fluorescent, 110-220V, 4-20W	X	X	X
E-00411-0010	Starter, Fluorescent, CE97	X	X	X

PART #	DESCRIPTION	V8717	V8719	SLANT
E-00412-0006	Lamp, Fluorescent, F6T5-CW	X	X	X
E-00412-0013	Lamp, Fluorescent, F15T8/CW	X	X	
E-00412-0019	Lamp, Fluorescent, 24"			X
E-00412-0020	Lamp, Fluorescent, 8" Round	X	X	
E-00412-0021	Lamp, Fluorescent, 11.5", 8W	X	X	X
E-00412-0025	Lamp, Fluorescent, F4T5/CW	X	X	X

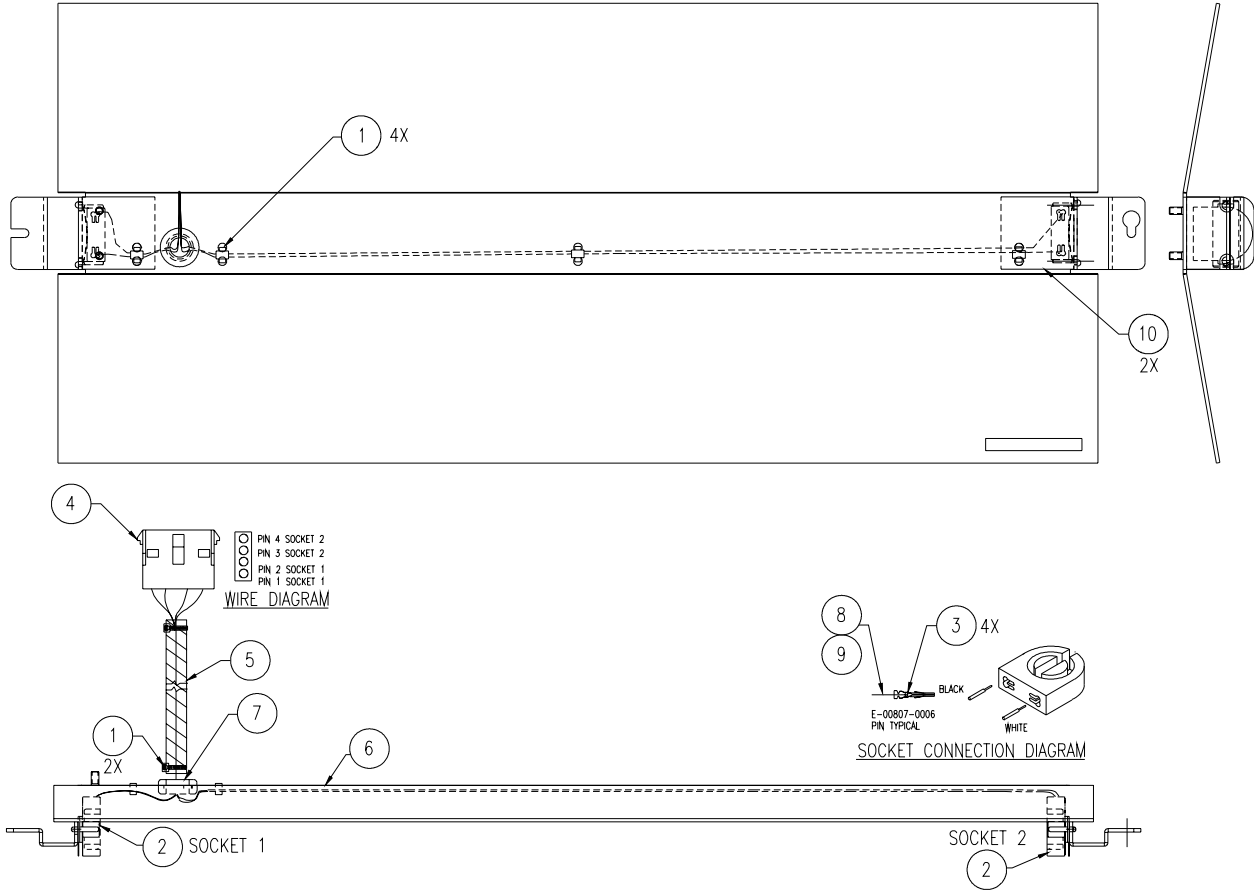


EVO™ V8717 / V8719

Door Assembly

Belly Glass Light Assembly AS-03361-(SERIES)
 V8717 V8719

Belly Glass Light Assembly AS-03361-0026
 Upright V8719



REF	PART #	DESCRIPTION	QTY
1	E-00647-0004	Tie Wrap	6
2	E-00120-0266	Socket, Fluorescent Lamp	2
3	E-00807-0006	Pin, Amp 24-18 AWG	4
4	E-00804-0004	Connector Housing Plug	1
5	M-01777-5602	Spiral Wrap 3/8 Diameter	A/R

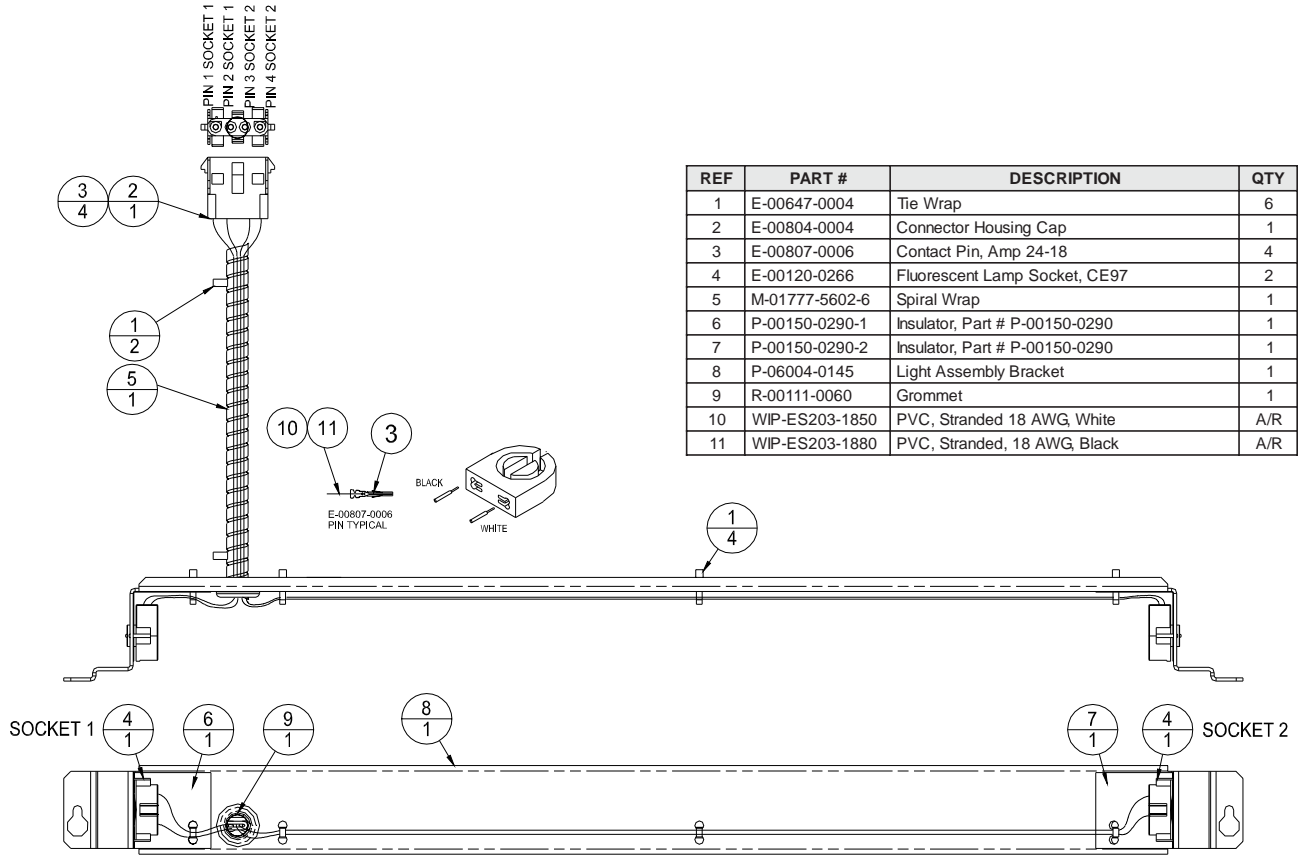
REF	PART #	DESCRIPTION	QTY
6	P-06004-0021	Bracket, Light, Door Mounting	1
7	R-00111-0060	Grommet, 3/4	1
8	WIP-ES203-1850	PVC, Stranded, 18 AWG White Type TEW	A/R
9	WIP-ES203-1880	PVC, Stranded, 18 AWG Black Type TEW	A/R
10	P-00150-0290	Insulator	2

EVO™ V8717 / V8719

Door Assembly

| Belly Glass Light Assembly (Cont.)
AS-03361-(SERIES)
 V8717 V8719

|| Upper Door Light Assembly AS-03361-0036
 V8719



REF	PART #	DESCRIPTION	QTY
1	E-00647-0004	Tie Wrap	6
2	E-00804-0004	Connector Housing Cap	1
3	E-00807-0006	Contact Pin, Amp 24-18	4
4	E-00120-0266	Fluorescent Lamp Socket, CE97	2
5	M-01777-5602-6	Spiral Wrap	1
6	P-00150-0290-1	Insulator, Part # P-00150-0290	1
7	P-00150-0290-2	Insulator, Part # P-00150-0290	1
8	P-06004-0145	Light Assembly Bracket	1
9	R-00111-0060	Grommet	1
10	WIP-ES203-1850	PVC, Stranded 18 AWG, White	A/R
11	WIP-ES203-1880	PVC, Stranded, 18 AWG, Black	A/R



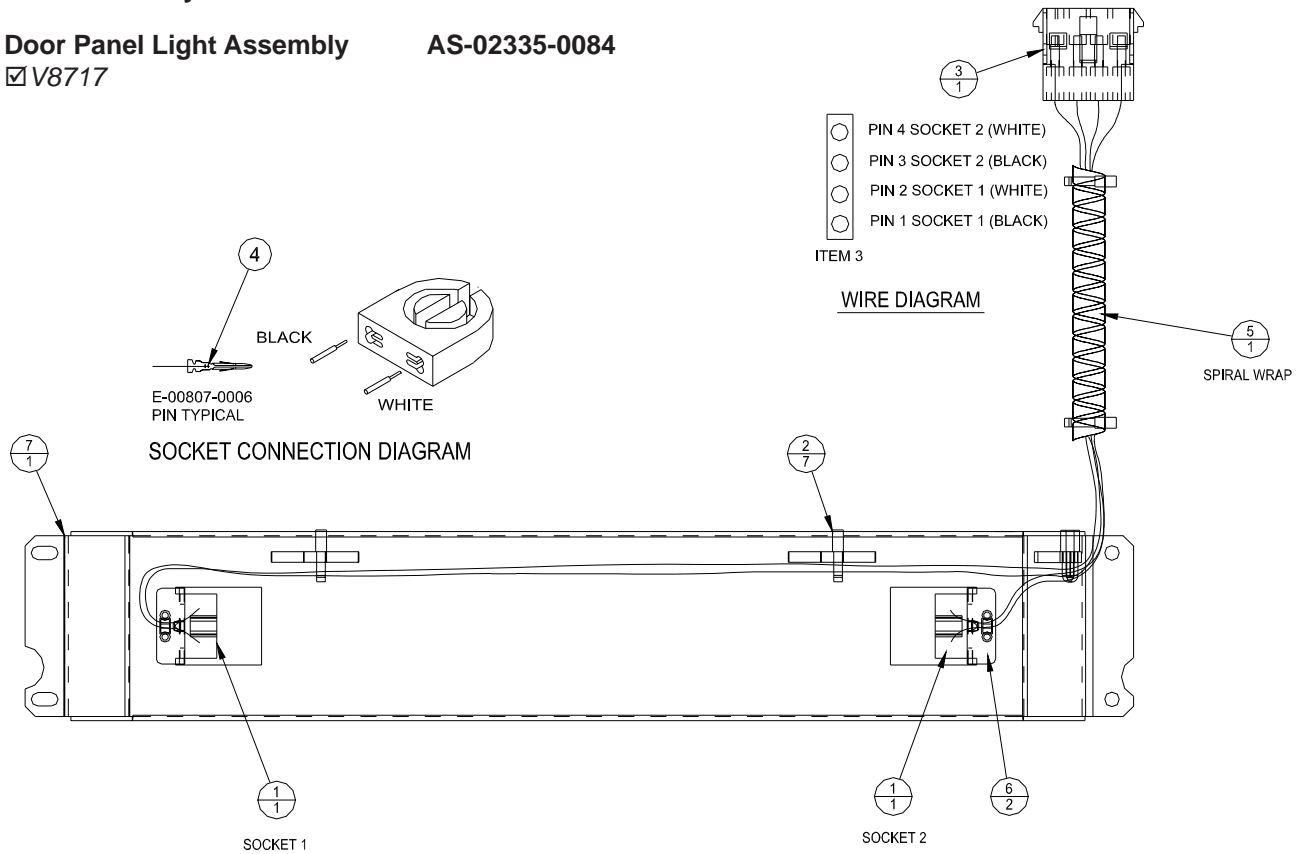
EVO™ V8717 / V8719

Door Assembly

Door Panel Light Assembly

AS-02335-0084

☑ V8717



REF	PART #	DESCRIPTION	QTY
1	E-00120-0268	Fluorescent Socket, 4W	2
2	E-00647-0004	Tie Wrap	7
3	E-00804-0004	Connector Housing Cap	1
4	E-00807-0006	Contact Pin, Amp 24-18	4
5	M-01777-5602-3	Spiral Wrap	1

REF	PART #	DESCRIPTION	QTY
6	P-00150-0297-1	Insulator, 4W Socket	2
7	P-09319-0577	Light Display Shield	1
8	WIP-ES202-1850-AS2335	PVC, Solid 18 AWG White Type TEW	A/R
9	WIP-ES202-1880-AS2335	PVC, Solid 18 AWG Black Type TEW	A/R

EVO™ V8717 / V8719

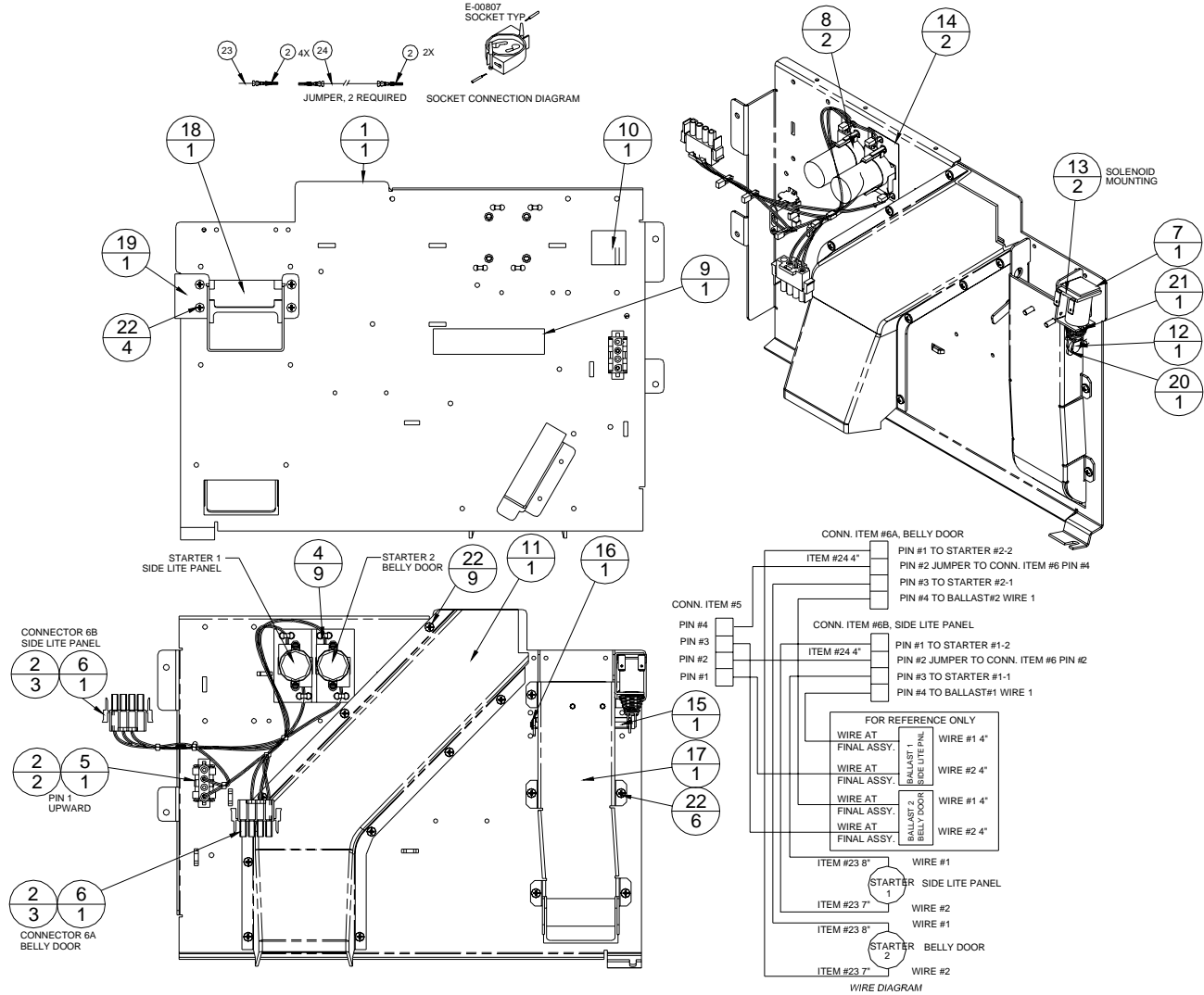
Door Assembly

Coin Panel Assembly
 V8717 V8719

AS-03210-(SERIES)

Coin Panel Assembly (Hopper)
 AS-03210-0094

V8717



REF	PART #	DESCRIPTION	QTY
1	A-06505-0008	Assembly, Coin Panel, Ballast/Starter	1
2	E-00807	Socket, Amp, 24-18	8
3	E-00411-0010	Starter, Fluorescent, FS-2	2
4	E-00647-0004	Tie Wrap	9
5	E-00804-0004	Connector Housing Cap	1
6	E-00808-0004	Connector Housing Plug	2
7	E-00947-0019	Coil, Diverter	1
8	E-00120-0265	Socket, Fluorescent Lamp Starter, CE97	2
9	LBL-00109-001A	Label, Power Off	1
10	LBL-00113-001A	Label, High Voltage	1
11	M-03093-0022	Chute, Coin Reject	1
12	M-03104-0001	Link, Plastic, Coin Diverter	1

REF	PART #	DESCRIPTION	QTY
13	MSPX-00632-1102	Screw, Machine Phil Flat Hd 82 DEG	2
14	P-00150-0292	Insulator, Polycarbonate, CE97	2
15	P-01638-0003	Pin, Pivot	1
16	P-02891-0004	Retaining Ring, .156 Shaft X .025 Thk	1
17	P-06804-0004	Chute, Coin Diverter	1
18	P-09319-0519	Diverter, Coin	1
19	P-09319-0527	Ramp, Coin Hopper	1
20	S-00231-1031	Spacer, Plastic, Diverter Link	1
21	SP-00200-0246	Spring, Compression	1
22	TFPP-00632-1104	Screw, 6-32 X 1/4 Thd Form Phil Pan Hd	19
23	WIP-ES202-1850-0094	PVC, Solid 18 AWG White Type TEW	1
24	WIP-ES202-1880-0094	PVC, Solid 18 AWG Black Type TEW	1

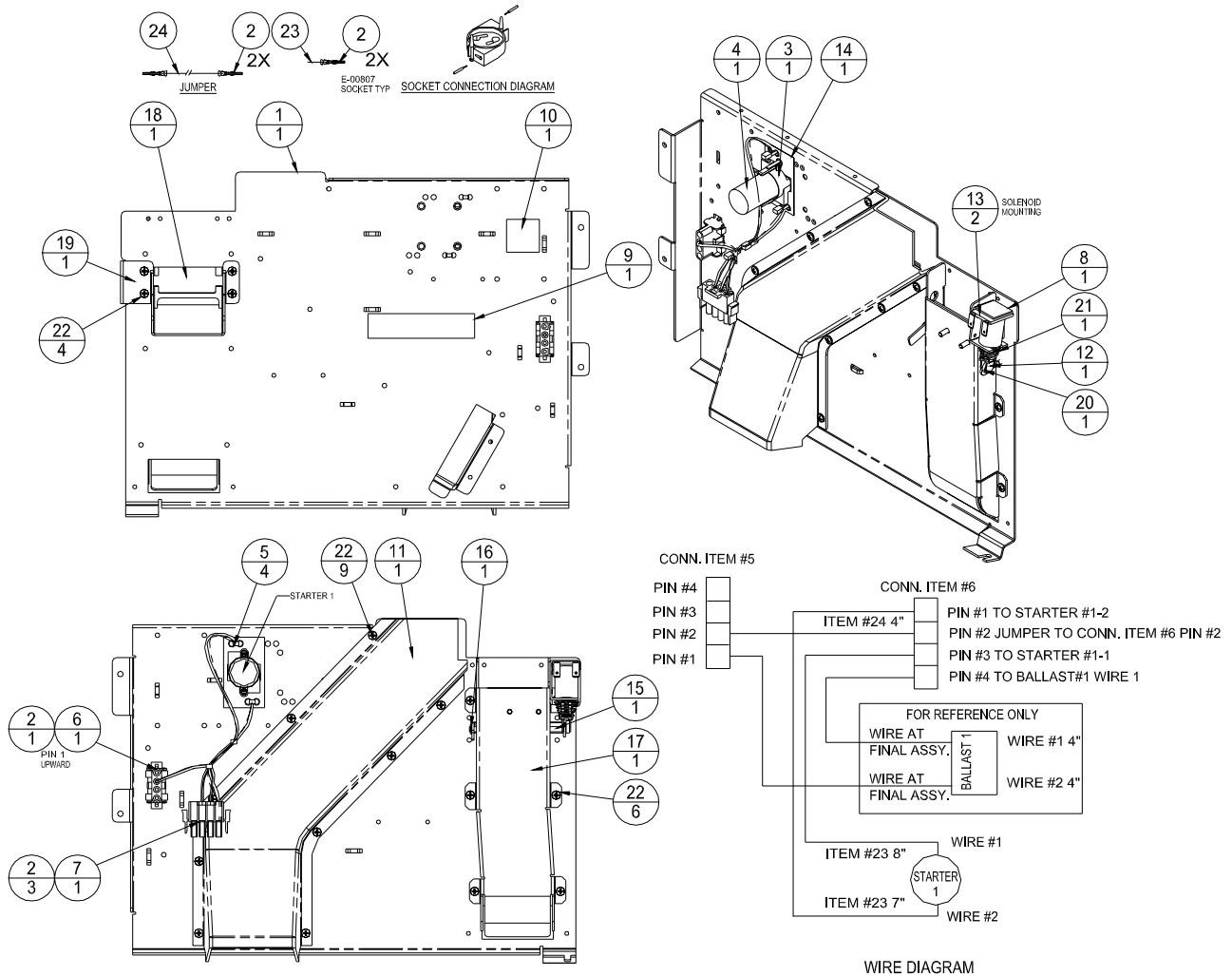


EVO™ V8717 / V8719

Door Assembly

Coin Panel Assembly (Cont.) AS-03210-(SERIES)
 V8717 V8719

Coin Panel Assembly (Hopper) AS-03210-0095
 V8719



REF	PART #	DESCRIPTION	QTY
1	A-06505-0008	Coin Panel Assembly, Ballast/Starter	1
2	E-00807	Socket, Amp, 24-18	4
3	E-00120-0265	Socket, Fluorescent Lamp Starter, CE97	1
4	E-00411-0008	Starter, Fluorescent, FS-2	1
5	E-00647-0004	Tie Wrap	4
6	E-00804-0004	Connector Housing Cap	1
7	E-00808-0004	Connector Housing Plug	1
8	E-00947-0019	Coil, Diverter	1
9	LBL-00109-001A	Label, Power Off	1
10	LBL-00113-001A	Label, High Voltage	1
11	M-03093-0022	Chute, Coin Reject	1
12	M-03104-0001	Link, Plastic, Coin Diverter	1

REF	PART #	DESCRIPTION	QTY
13	MSPX-00632-1102	Screw, Mach Phil Flat Hd, 82 DEG	2
14	P-00150-0292	Insulator, Polycarbonate, CE97	1
15	P-01638-0003	Pin, Pivot	1
16	P-02891-0004	Retaining Ring, .156 Shaft x .025 Thk	1
17	P-06804-0004	Chute, Coin Diverter	1
18	P-09319-0519	Diverter, Coin	1
19	P-09319-0527	Ramp, Coin Hopper	1
20	S-00231-1031	Spacer, Plastic, Diverter Link	1
21	SP-00200-0246	Spring, Compression	1
22	TFFP-00632-1104	Screw, 6-32 x 1/4 Thd Form Phil Pan Hd	19
23	WIP-ES202-1850-0095	PVC, Solid 18 AWG White Type Tew	1
24	WIP-ES202-1880-0095	PVC, Solid 18 AWG Black Type Tew	1

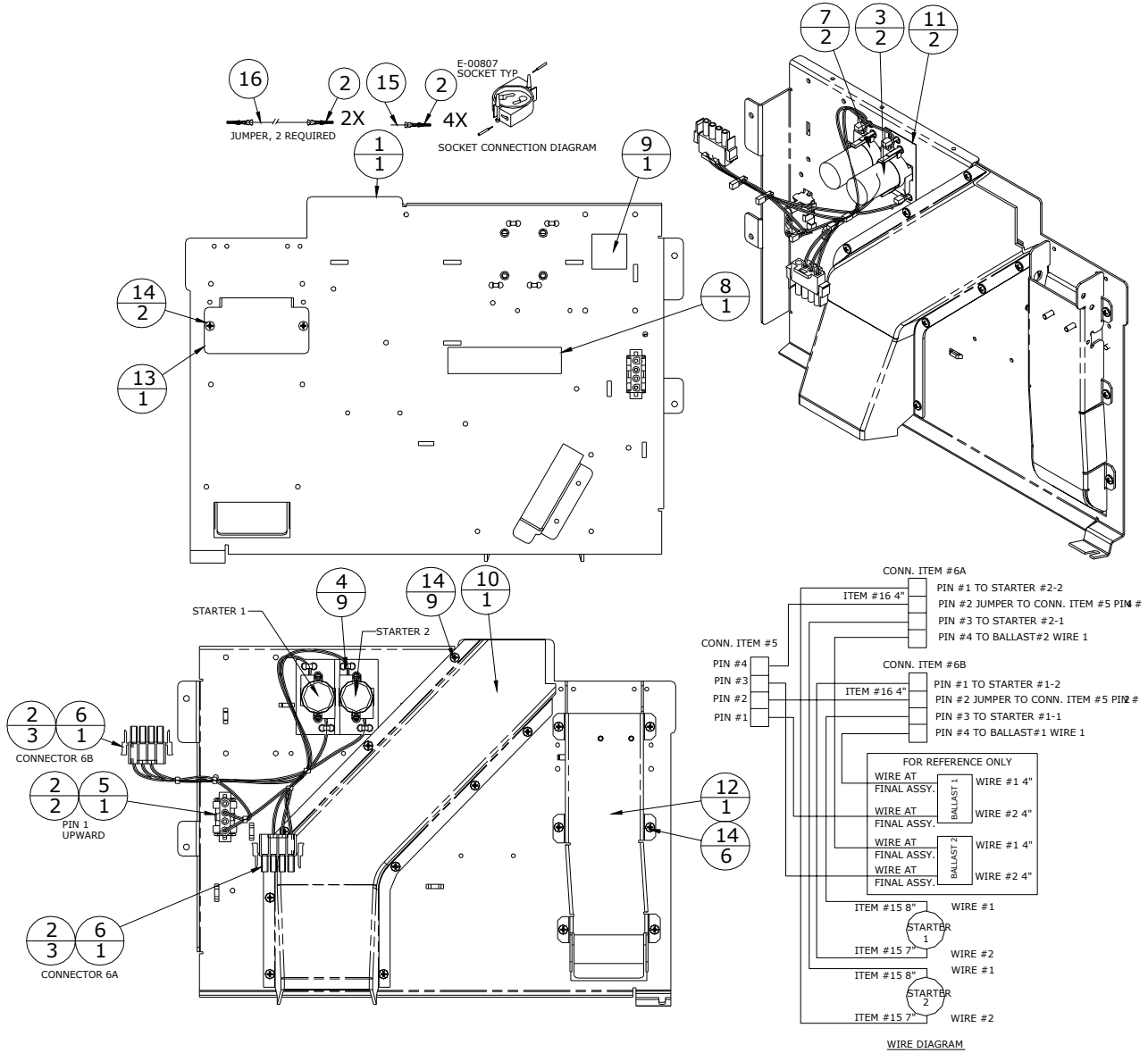
EVO™ V8717 / V8719

Door Assembly

| Coin Panel Assembly (Cont.) AS-03210-(SERIES)
 V8717 V8719

|| Coin Panel Assembly (Printer)
 AS-03210-0105

V8717



REF	PART #	DESCRIPTION	QTY
1	A-06505-0008	Assembly, Coin Panel, Ballast/Starter	1
2	E-00807	Socket, Amp, 24-18	8
3	E-00411-0008	Starter, Fluorescent, FS-2	2
4	E-00647-0004	Tie Wrap	9
5	E-00804-0004	Connector Housing Cap	1
6	E-00808-0004	Connector Housing Plug	2
7	E-00120-0265	Socket, Fluorescent Lamp Starter, CE97	2
8	LBL-00109-001A	Label, Power Off	1

REF	PART #	DESCRIPTION	QTY
9	LBL-00113-001A	Label, High Voltage	1
10	M-03093-0022	Chute, Coin Reject	1
11	P-00150-0292	Insulator, Polycarbonate, Ce97	2
12	P-06804-0004	Chute, Coin Diverter	1
13	P-09327-0001	Glide, Coin	1
14	TFPP-00632-1104	Screw, 6-32 X 1/4 Thd Form Phil Pan Hd	17
15	WIP-ES202-1850-0094	PVC, Solid 18 AWG White Type TEW	1
16	WIP-ES202-1880-0094	PVC, Solid 18 AWG Black Type TEW	1



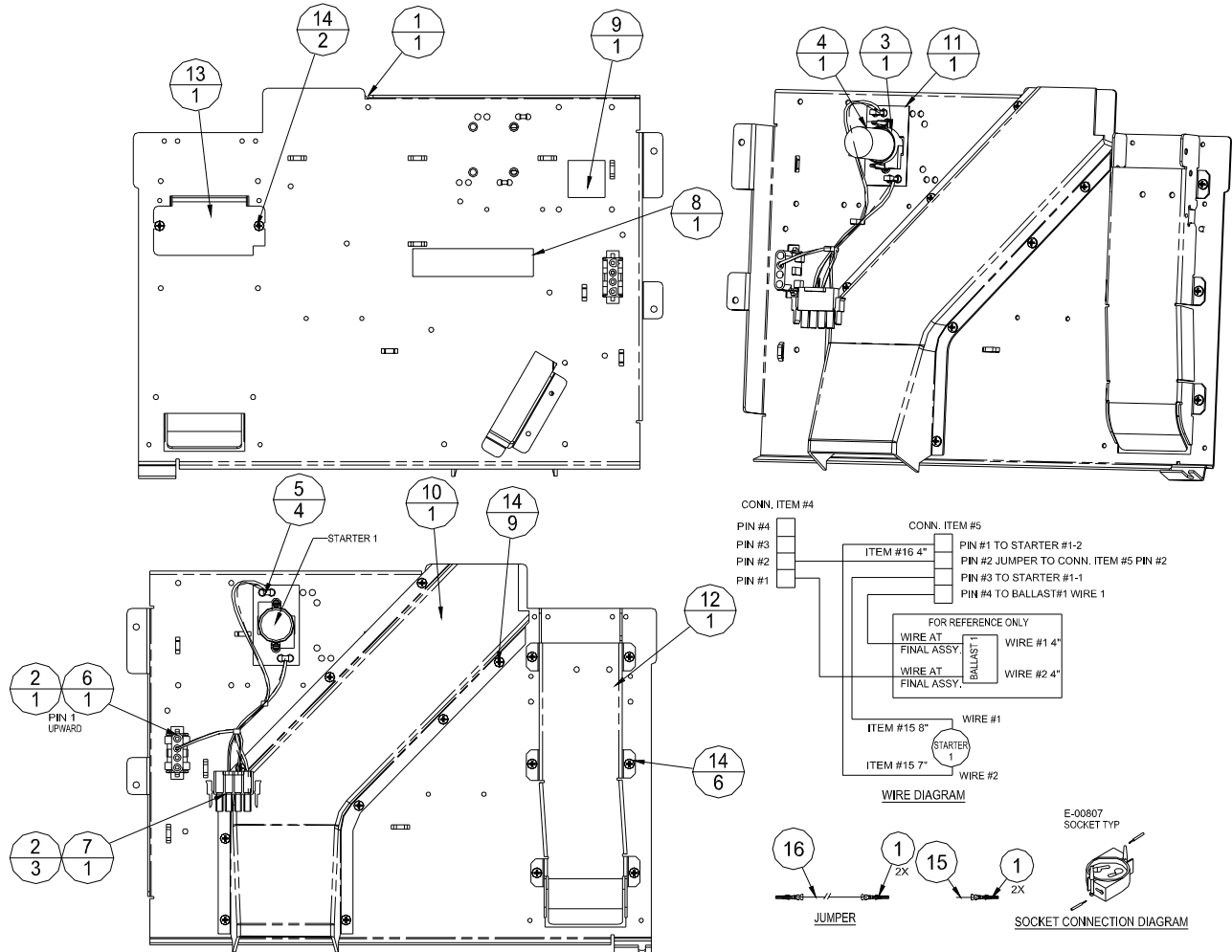
EVO™ V8717 / V8719

Door Assembly

Coin Panel Assembly (Cont.) AS-03210-(SERIES)
 ☑ V8717 / ☑ V8719

Coin Panel Assembly (Printer)
 AS-03210-0103

☑ V8719



REF	PART #	DESCRIPTION	QTY
1	A-06505-0008	Coin Panel Assembly, Ballast/Starter	1
2	E-00807	Socket, Amp, 24-18	4
3	E-00120-0265	Socket, Fluorescent Lamp Starter, CE97	1
4	E-00411-0008	Starter, Fluorescent, FS-2	1
5	E-00647-0004	Tie Wrap	4
6	E-00804-0004	Connector Housing Cap	1
7	E-00808-0004	Connector Housing Plug	1
8	LBL-00109-001A	Label, Power Off	1

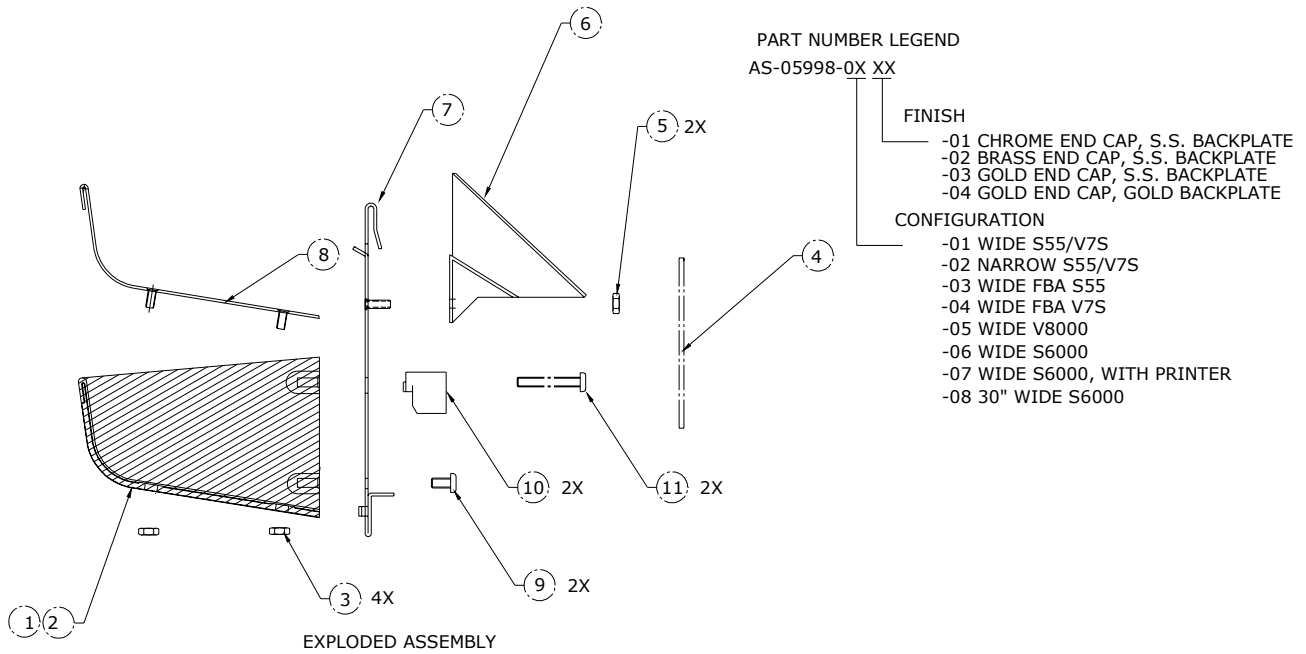
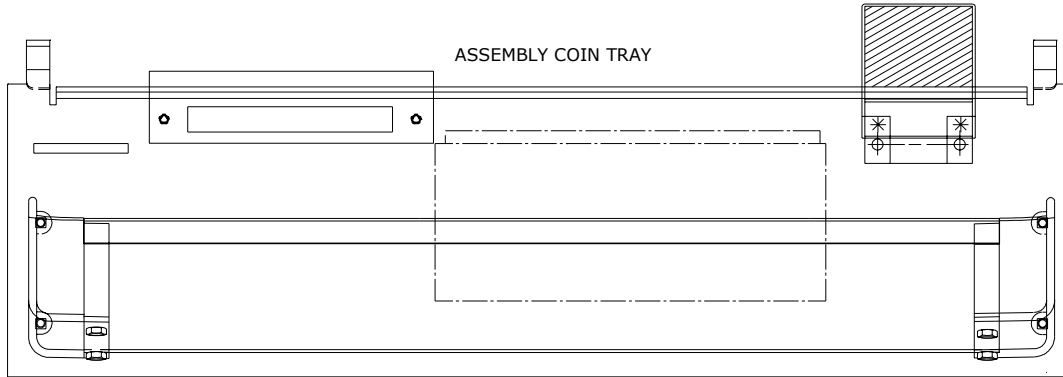
REF	PART #	DESCRIPTION	QTY
9	LBL-00113-001A	Lable, High Voltage	1
10	M-03093-0022	Chute, Coin Reject	1
11	P-00150-0292	Insulator, Polycarbonate, CE97	1
12	P-06804-0004	Chute, Coin Diverter	1
13	P-09327-0001	Glide, Coin	1
14	TFPP-00632-1104	Screw, 6-32 x 1/4 Thd Form Phil Pan Hd	17
15	WIP-ES202-1850-0095	PVC, Solid 18 AWG White Type Tew	1
16	WIP-ES202-1880-0095	PVC, Solid 18 AWG Black Type Tew	1

EVO™ V8717 / V8719

Door Assembly

| Backplate with Coin Tray AS-05998-(SERIES)

☑ V8717/☑ V8719



REF	PART #	DESCRIPTION	QTY
1	See Legend	End Cap, Coin Cup, Right	1
2	See Legend	End Cap, Coin Cup, Left	1
3	M-00319-0003	Elastic, Stop Nut (Esna)	4
4	M-01777-5415	Envelope, Plastic, 7 3/4 X 3	1
5	NLS-00832-11121	Nut, 8-32 Hex	2
6	P-09189-0017	Chute, Drop	1

REF	PART #	DESCRIPTION	QTY
7	See Legend	Back Plate, Coin Tray	1
8	P-09319-076A	Tray, Coin, Stainless Steel	1
9	LSPP-01032-1106	Screw, 10-32 X 3/8 Thd Form Phil Pan Hd	2
10	M-03099-0004	Catch, Coin Tray	2
11	See Legend	Screw, 10-32 X Legend Phil Pan Hd	2

LEGEND

PART #	DESCRIPTION	ITEM 1 - END CAP	ITEM 2 - END CAP	ITEM 7 - BACK PLATE	ITEM 11 - SCREW	V8717	V8719
AS-05998-0501	Coin Tray, Polished Chrome/Stainless Steel Plate	C-04710-0101	C-04710-0102	P-06903-0001	LSPP-01032-1112	X	X
AS-05998-0504	Coin Tray, Titanium Gold/Gold Plate	C-04710-0113	C-04710-0114	P-06903-0004	LSPP-01032-1112	X	X
AS-05998-1101	Coin Tray, Polished Chrome/Stainless Steel Plate (Ontario)	C-04710-0101	C-04710-0102	P-06903-0001	LSPP-01032-1112	X	X
AS-05998-1103	Coin Tray, Polished Gold, Stainless Steel Plate (Ontario)	C-04710-0109	C-04710-0110	P-06903-0004	LSPP-01032-1112	X	X
AS-05998-1104	Coin Tray, Titanium Gold/Gold Plate (Ontario)	C-04710-0113	C-04710-0114	P-06903-0004	LSPP-01032-1112	X	X
AS-05998-1301	Coin Tray, Short, Polished Chrome/Stainless Steel Plate	A-03995-00P1	A-03995-00P1	P-06903-0001	LSPP-01032-1112	X	X



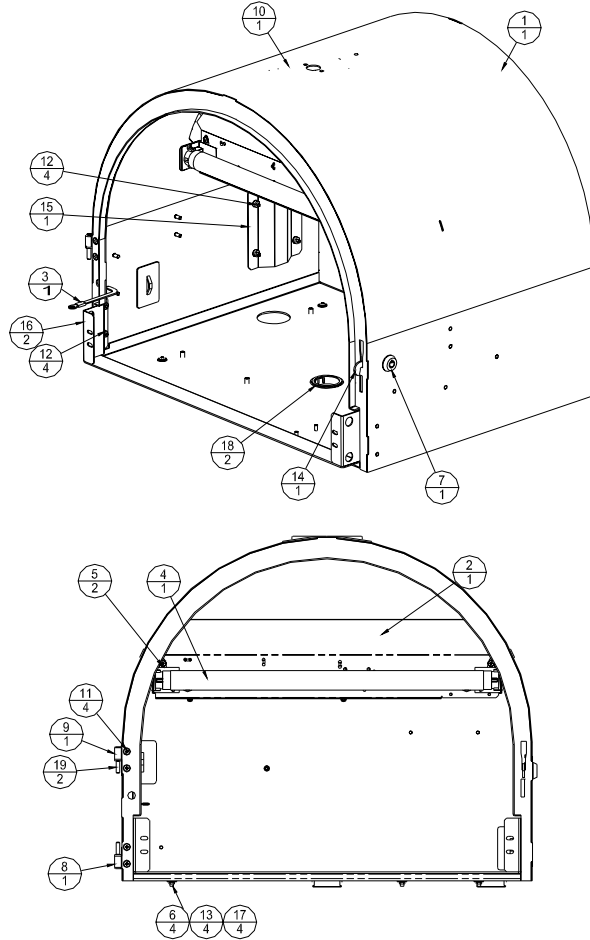
EVO™ V8717 / V8719

Top Box Selections

Round Top (System)

AS-04222-0395

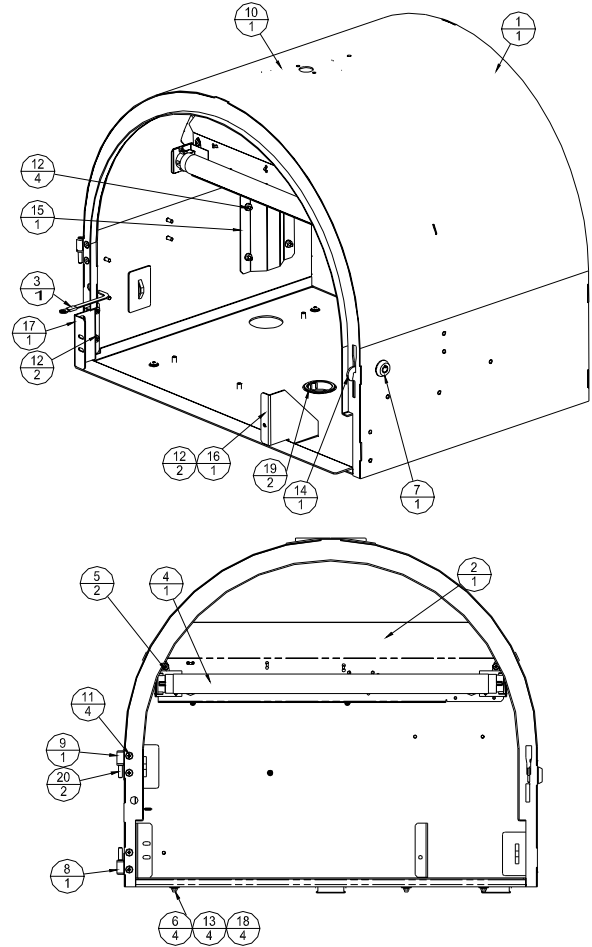
V8717 V8719



Round Top (Printer/System)

AS-04222-0396

V8717 V8719



REF	PART #	DESCRIPTION	QTY
1	A-X7220-SERIES	Round Top Cabinet Assembly (Ref)	1
2	AS-02335-0090	Starter/Ballast Socket Assembly, 60Hz (Ref)	1
3	AS-03106-0010-1	Ground Strap Assembly, 4-Inch	1
4	E-00412-0013	Lamp, Fluorescent, F15T8/CW	1
5	LSPP-00832-1106	Screw, Mach with Lock Phil Pan Hd	2
6	LSPP-01032-1106	Screw, Mach with Lock Phil Pan Hd	4
7	M-00281-162A	Lock, No Cam, Door/Bill Acceptor	1
8	M-01777-0547	Hinge Bracket	1
9	M-01777-0549	Upper Hinge Bracket	1
10	M-03097-0001	Tower Base, Wide	1
11	MSPX-00832-1106	Screw, Mach Phil Flat Hd, 82 DEG	4
12	NLS-00832-1112	Hex Nut	8
13	NLS-01032-1112	Hex Nut	4
14	P-00758-0185	Cam, Top Box Door	1
15	P-06717-0067	Baffle, Vent Upper	1
16	P-09322-0365	Systems Panel Bracket	2
17	PW-00010-0012	Washer, Plain	4
18	S-00231-1049	Insulator Bushing	2
19	S-00700-0003	Hinge Pin	2

REF	PART #	DESCRIPTION	QTY
1	A-X7220-SERIES	Round Top Cabinet Assembly (Ref)	1
2	AS-02335-0090	Starter/Ballast Socket Assembly, 60Hz (Ref)	1
3	AS-03106-0010-1	Ground Strap Assembly, 4-Inch	1
4	E-00412-0013	Lamp, Fluorescent, F15T8/CW	1
5	LSPP-00832-1106	Screw, Mach with Lock Phil Pan Hd	2
6	LSPP-01032-1106	Screw, Mach with Lock Phil Pan Hd	4
7	M-00281-162A	Lock, No Cam, Door/Bill Acceptor	1
8	M-01777-0547	Hinge Bracket	1
9	M-01777-0549	Upper Hinge Bracket	1
10	M-03097-0001	Tower Base, Wide	1
11	MSPX-00832-1106	Screw, Mach Phil Flat Hd, 82 DEG	4
12	NLS-00832-1112	Hex Nut	8
13	NLS-01032-1112	Hex Nut	4
14	P-00758-0185	Cam, Top Box Door	1
15	P-06717-0067	Baffle, Vent Upper	1
16	P-09322-0349	Systems Panel Bracket	2
17	P-09322-0365	Systems Panel Bracket	1
18	PW-00010-0012	Washer, Plain	4
19	S-00231-1049	Insulator Bushing	2
20	S-00700-0003	Hinge Pin	2

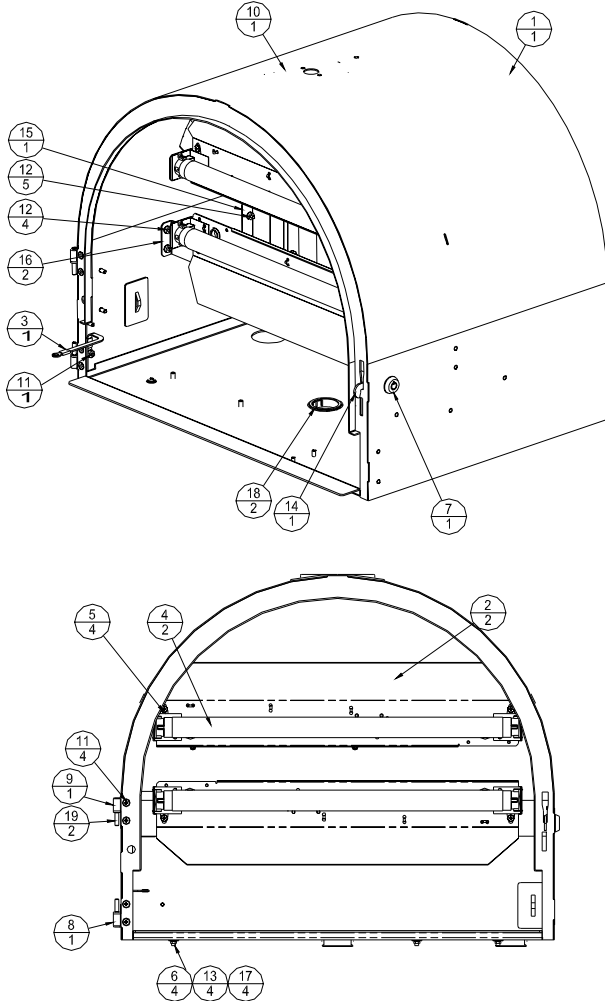
EVO™ V8717 / V8719

Top Box Selections

Round Top

V8717 V8719

AS-04222-0397

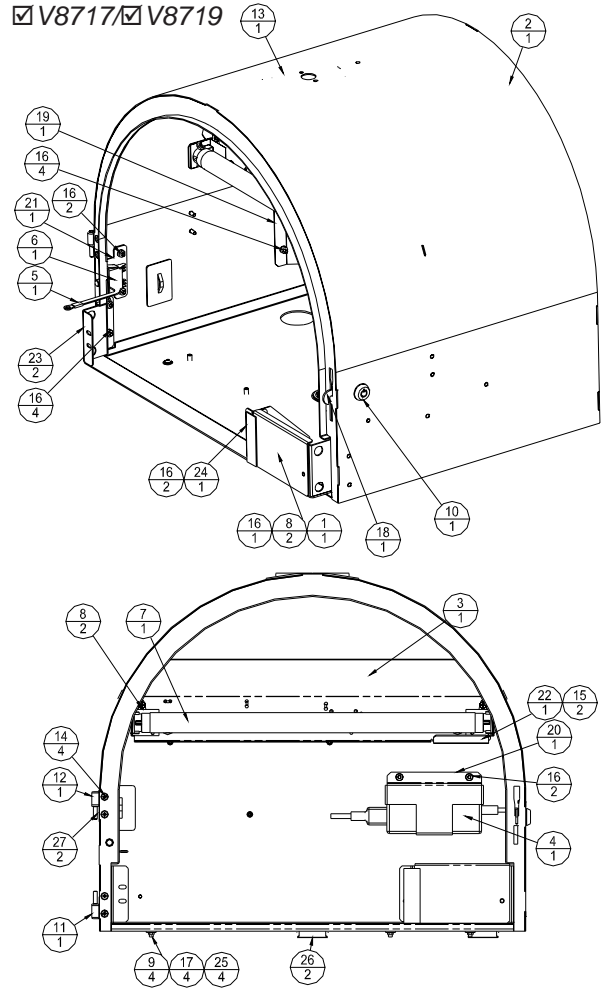


REF	PART #	DESCRIPTION	QTY
1	A-X7220-SERIES	Round Top Cabinet Assembly (Ref)	1
2	AS-02335-0090	Starter/Ballast Socket Assembly, 60Hz (Ref)	2
3	AS-03106-0010-1	Ground Strap Assembly, 4-Inch	1
4	E-00412-0013	Lamp, Fluorescent, F15T8/CW	2
5	LSPP-00832-1106	Screw, Mach with Lock Phil Pan Hd	4
6	LSPP-01032-1106	Screw, Mach with Lock Phil Pan Hd	4
7	M-00281-162A	Lock, No Cam, Door/Bill Acceptor	1
8	M-01777-0547	Hinge Bracket	1
9	M-01777-0549	Upper Hinge Bracket	1
10	M-03097-0001	Tower Base, Wide	1
11	MSPX-00832-1106	Screw, Mach Phil Flat Hd, 82 DEG	4
12	NLS-00832-1112	Hex Nut	9
13	NLS-01032-1112	Hex Nut	4
14	P-00758-0185	Cam, Top Box Door	1
15	P-06717-0067	Baffle, Vent Upper	1
16	P-09322-0352	Dual Light Bracket	2
17	PW-00010-0012	Washer, Plain	4
18	S-00231-1049	Insulator Bushing	2
19	S-00700-0003	Hinge Pin	2

Round Top (Blank Printer Panel/System)

AS-04222-0417

V8717 V8719



REF	PART #	DESCRIPTION	QTY
1	A-09395-0013	Faceplate, Blank Printer	1
2	A-X7220-SERIES	Round Top Cabinet Assembly (Ref)	1
3	AS-02335-0090	Starter/Ballast Socket Assembly (Ref)	1
4	AS-02982-0055	Power Supply Assembly, Low Leakage, 24V, Printer	1
5	AS-03106-0010-1	Ground Strap Assembly, 4-Inch	1
6	E-00108-0385	Door Push Switch	1
7	E-00412-0013	Lamp, Fluorescent F18T8/CW	1
8	LSPP-00832-1106	Screw, Mach with Lock Phil Pan Hd	4
9	LSPP-01032-1106	Screw, Mach with Lock Phil Pan Hd	4
10	M-00281-162A	Lock, No Cam, Door/Bill Acceptor	1
11	M-01777-0547	Hinge Bracket	1
12	M-01777-0549	Upper Hinge Bracket	1
13	M-03097-0001	Tower Bracket, Wide	1
14	MSPX-00832-1106	Screw, Mach Phil Flat Hd, 82 DEG	4
15	NLS-00632-1112	Hex Nut	2
16	NLS-00832-1112	Hex Nut	15
17	NLS-01032-1112	Hex Nut	4
18	P-00758-0185	Cam, Top Box Door	1
19	P-06717-0067	Baffle, Vent Upper	1
20	P-09322-0333	Power Supply Bracket	1
21	P-09322-0347	Switch Mounting Bracket	1
22	P-09322-0361	Ticket Shield	1
23	P-09322-0365	Systems Panel Bracket	2
24	P-09322-0366	Systems Panel Bracket	1
25	PW-00010-0012	Washer, Plain	4
26	S-00231-1049	Insulator Bushing	2
27	S-00700-0003	Hinge Pin	2



EVO™ V8717 / V8719

Top Box Selections

Oval Top (System)

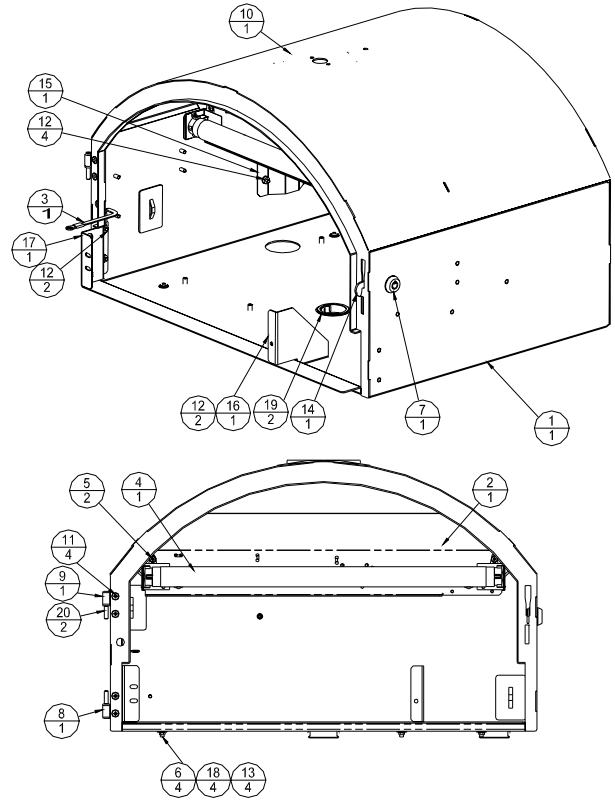
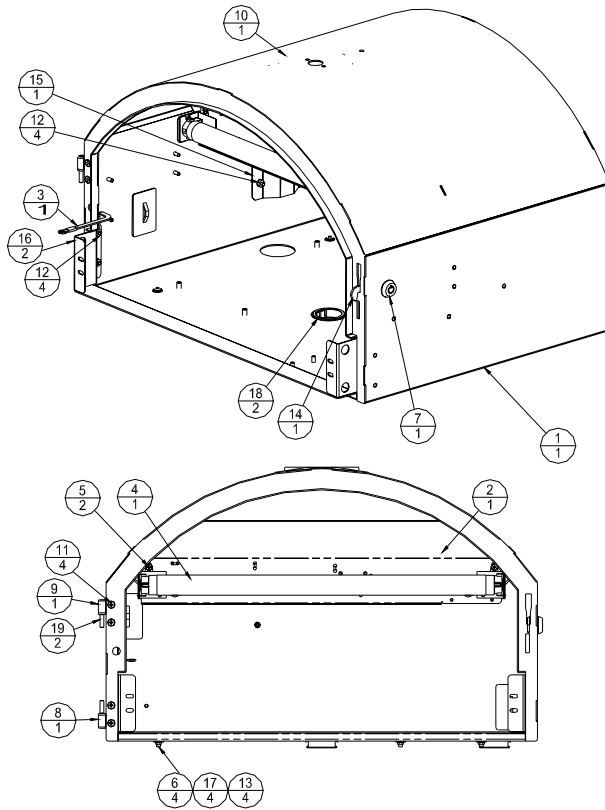
V8717 V8719

AS-04222-0398

Oval Top (Printer/System)

V8717 V8719

AS-04222-0399



REF	PART #	DESCRIPTION	QTY
1	A-X7228-SERIES	Oval Top Cabinet Assembly	1
2	AS-02335-0090	Starter/Ballast Socket Assembly, 60Hz (Ref)	1
3	AS-03106-0010-1	Ground Strap Assembly, 4-Inch	1
4	E-00412-0013	Lamp, Fluorescent, F15T8/CW	1
5	LSPP-00832-1106	Screw, Mach with Lock Phil Pan Hd	2
6	LSPP-01032-1106	Screw, Mach with Lock Phil Pan Hd	4
7	M-00281-162A	Lock, No Cam, Door/Bill Acceptor	1
8	M-01777-0547	Hinge Bracket	1
9	M-01777-0549	Upper Hinge Bracket	1
10	M-03097-0001	Tower Base, Wide	1
11	MSPX-00832-1106	Screw, Mach Phil Flat Hd, 82 DEG	4
12	NLS-00832-1112	Hex Nut	8
13	NLS-01032-1112	Hex Nut	4
14	P-00758-0185	Cam, Top Box Door	1
15	P-06717-0067	Baffle, Vent Upper	1
16	P-09322-0365	Systems Panel Bracket	2
17	PW-00010-0012	Washer, Plain	4
18	S-00231-1049	Insulator Bushing	2
19	S-00700-0003	Hinge Pin	2

REF	PART #	DESCRIPTION	QTY
1	A-X7228-SERIES	Oval Top Cabinet Assembly	1
2	AS-02335-0090	Starter/Ballast Socket Assembly, 60Hz (Ref)	1
3	AS-03106-0010-1	Ground Strap Assembly, 4-Inch	1
4	E-00412-0013	Lamp, Fluorescent, F15T8/CW	1
5	LSPP-00832-1106	Screw, Mach with Lock Phil Pan Hd	2
6	LSPP-01032-1106	Screw, Mach with Lock Phil Pan Hd	4
7	M-00281-162A	Lock, No Cam, Door/Bill Acceptor	1
8	M-01777-0547	Hinge Bracket	1
9	M-01777-0549	Upper Hinge Bracket	1
10	M-03097-0001	Tower Base, Wide	1
11	MSPX-00832-1106	Screw, Mach Phil Flat Hd, 82 DEG	4
12	NLS-00832-1112	Hex Nut	8
13	NLS-01032-1112	Hex Nut	4
14	P-00758-0185	Cam, Top Box Door	1
15	P-06717-0067	Baffle, Vent Upper	1
16	P-09322-0349	Systems Panel Bracket	1
17	P-09322-0365	Systems Panel Bracket	1
18	PW-00010-0012	Washer, Plain	4
19	S-00231-1049	Insulator Bushing	2
20	S-00700-0003	Hinge Pin	2

EVO™ V8717 / V8719

Top Box Selections

|| Oval Top

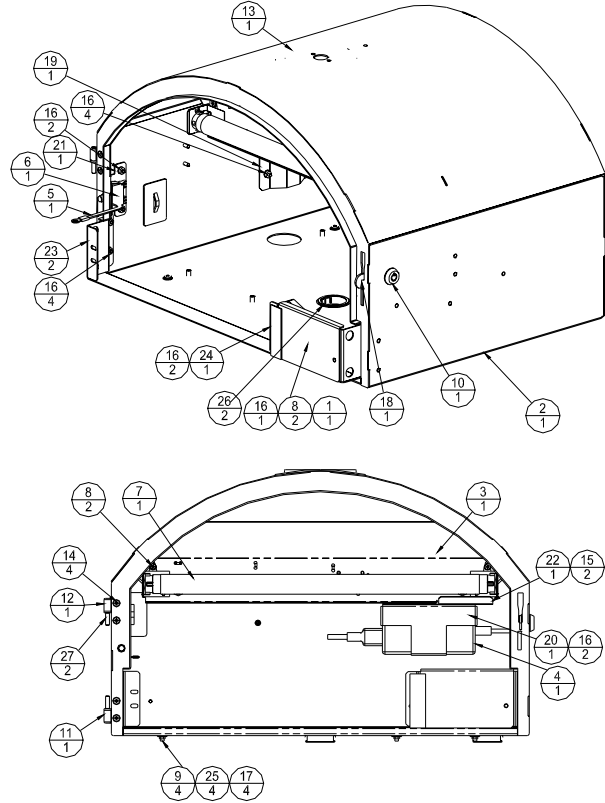
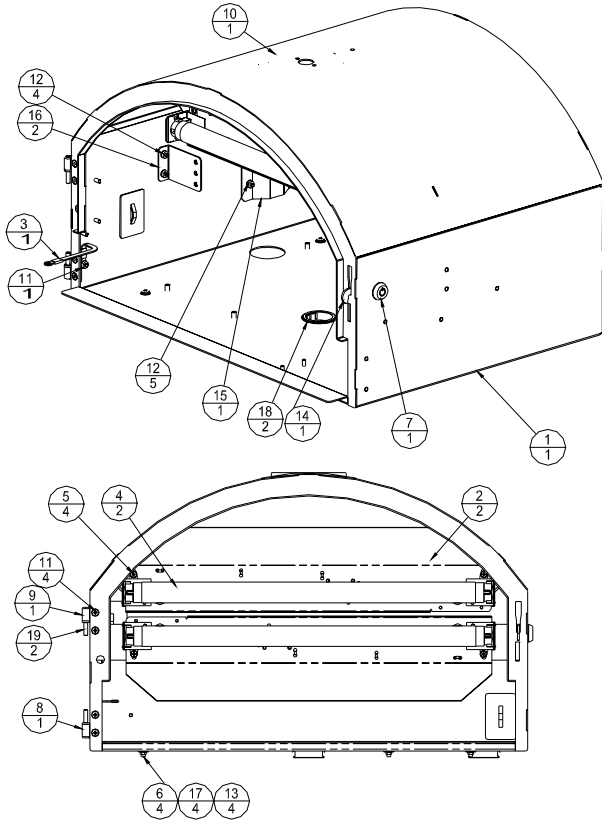
V8717 V8719

AS-04222-0400

Oval Top (Blank Printer Panel/System)

AS-04222-0418

V8717 V8719



REF	PART #	DESCRIPTION	QTY
1	A-X7228-SERIES	Oval Top Cabinet Assembly	1
2	AS-02335-0090	Starter/Ballast Socket Assembly, 60Hz (Ref)	2
3	AS-03106-0010-1	Ground Strap Assembly, 4-Inch	1
4	E-00412-0013	Lamp, Fluorescent, F15T8/CW	2
5	LSPP-00832-1106	Screw, Mach with Lock Phil Pan Hd	4
6	LSPP-01032-1106	Screw, Mach with Lock Phil Pan Hd	4
7	M-00281-162A	Lock, No Cam, Door/Bill Acceptor	1
8	M-01777-0547	Hinge Bracket	1
9	M-01777-0549	Upper Hinge Bracket	1
10	M-03097-0001	Tower Base, Wide	1
11	MSPX-00832-1106	Screw, Mach Phil Flat Hd, 82 DEG	4
12	NLS-00832-1112	Hex Nut	9
13	NLS-01032-1112	Hex Nut	4
14	P-00758-0185	Cam, Top Box Door	1
15	P-06717-0067	Baffle, Vent Upper	1
16	P-09322-0352	Dual Light Bracket	2
17	PW-00010-0012	Washer, Plain	4
18	S-00231-1049	Insulator Bushing	2
19	S-00700-0003	Hinge Pin	2

REF	PART #	DESCRIPTION	QTY
1	A-09395-0013	Faceplate, Blank Printer	1
2	A-X7228-SERIES	Oval Top Cabinet Assembly (Ref)	1
3	AS-02335-0090	Starter/Ballast Socket Assembly (Ref)	1
4	AS-02982-0055	Power Supply Assembly, Low Leakage, 24V, Printer	1
5	AS-03106-0010-1	Ground Strap Assembly, 4-Inch	1
6	E-00108-0385	Door Push Switch	1
7	E-00412-0013	Lamp, Fluorescent F18T8/CW	1
8	LSPP-00832-1106	Screw, Mach with Lock Phil Pan Hd	4
9	LSPP-01032-1106	Screw, Mach with Lock Phil Pan Hd	4
10	M-00281-162A	Lock, No Cam, Door/Bill Acceptor	1
11	M-01777-0547	Hinge Bracket	1
12	M-01777-0549	Upper Hinge Bracket	1
13	M-03097-0001	Tower Bracket, Wide	1
14	MSPX-00832-1106	Screw, Mach Phil Flat Hd, 82 DEG	4
15	NLS-00632-1112	Hex Nut	2
16	NLS-00832-1112	Hex Nut	15
17	NLS-01032-1112	Hex Nut	4
18	P-00758-0185	Cam, Top Box Door	1
19	P-06717-0067	Baffle, Vent Upper	1
20	P-09322-0333	Power Supply Bracket	1
21	P-09322-0347	Switch Mounting Bracket	1
22	P-09322-0361	Ticket Shield	1
23	P-09322-0365	Systems Panel Bracket	2
24	P-09322-0366	Systems Panel Bracket	1
25	PW-00010-0012	Washer, Plain	4
26	S-00231-1049	Insulator Bushing	2
27	S-00700-0003	Hinge Pin	2



EVO™ V8717 / V8719

Top Box Selections

Extended Top (System)

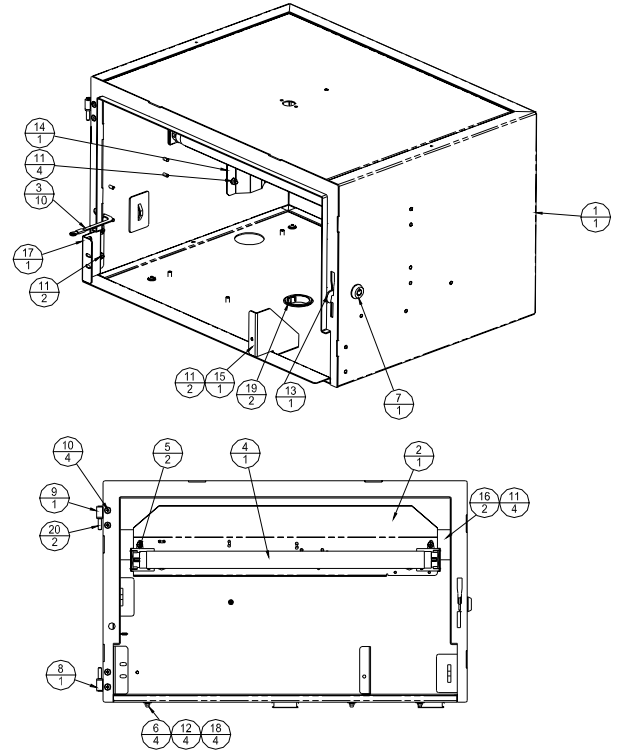
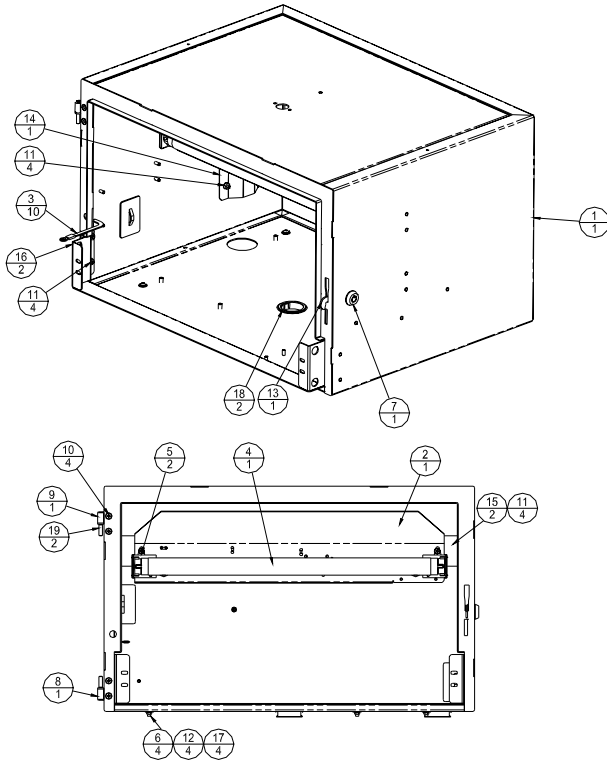
AS-04222-0401

V8717 V8719

Extended Top (Printer/System)

AS-04222-0402

V8717 V8719



REF	PART #	DESCRIPTION	QTY
1	A-X7229-SERIES	Extended Top Cabinet Assembly	1
2	AS-02335-0090	Starter/Ballast Socket Assembly, 60Hz (Ref)	1
3	AS-03106-0010-1	Ground Strap Assembly, 4-Inch	1
4	E-00412-0013	Lamp, Fluorescent, F15T8/CW	1
5	LSPP-00832-1106	Screw, Mach with Lock Phil Pan Hd	2
6	LSPP-01032-1106	Screw, Mach with Lock Phil Pan Hd	4
7	M-00281-162A	Lock, No Cam, Door/Bill Acceptor	1
8	M-01777-0547	Hinge Bracket	1
9	M-01777-0549	Upper Hinge Bracket	1
10	MSPX-00832-1106	Screw, Mach Phil Flat Hd, 82 DEG	4
11	NLS-00832-1112	Hex Nut	12
12	NLS-01032-1112	Hex Nut	4
13	P-00758-0185	Cam, Top Box Door	1
14	P-06717-0067	Baffle, Vent Upper	1
15	P-09322-0352	Dual Light Bracket	2
16	P-09322-0365	Systems Panel Bracket	2
17	PW-00010-0012	Washer, Plain	4
18	S-00231-1049	Insulator Bushing	2
19	S-00700-0003	Hinge Pin	2

REF	PART #	DESCRIPTION	QTY
1	A-X7229-SERIES	Extended Top Cabinet Assembly	1
2	AS-02335-0090	Starter/Ballast Socket Assembly, 60Hz	1
3	AS-03106-0010-1	Ground Strap Assembly, 4-Inch	1
4	E-00412-0013	Lamp, Fluorescent, F15T8/CW	1
5	LSPP-00832-1106	Screw, Mach with Lock Phil Pan Hd	2
6	LSPP-01032-1106	Screw, Mach with Lock Phil Pan Hd	4
7	M-00281-162A	Lock, No Cam, Door/Bill Acceptor	1
8	M-01777-0547	Hinge Bracket	1
9	M-01777-0549	Upper Hinge Bracket	1
10	MSPX-00832-1106	Screw, Mach Phil Flat Hd, 82 DEG	4
11	NLS-00832-1112	Hex Nut	12
12	NLS-01032-1112	Hex Nut	4
13	P-00758-0185	Cam, Top Box Door	1
14	P-06717-0067	Baffle, Vent Upper	1
15	P-09322-0349	Systems Panel Bracket	2
16	P-09322-0349	Dual Light Bracket	2
17	P-09322-0365	Systems Panel Bracket	1
18	PW-00010-0012	Washer, Plain	4
19	S-00231-1049	Insulator Bushing	2
20	S-00700-0003	Hinge Pin	2

EVO™ V8717 / V8719

Top Box Selections

Extended Top

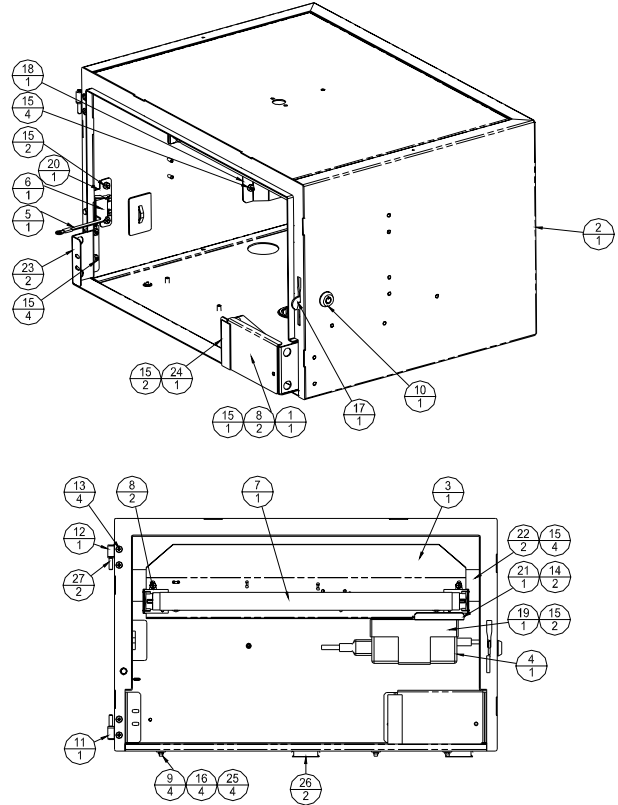
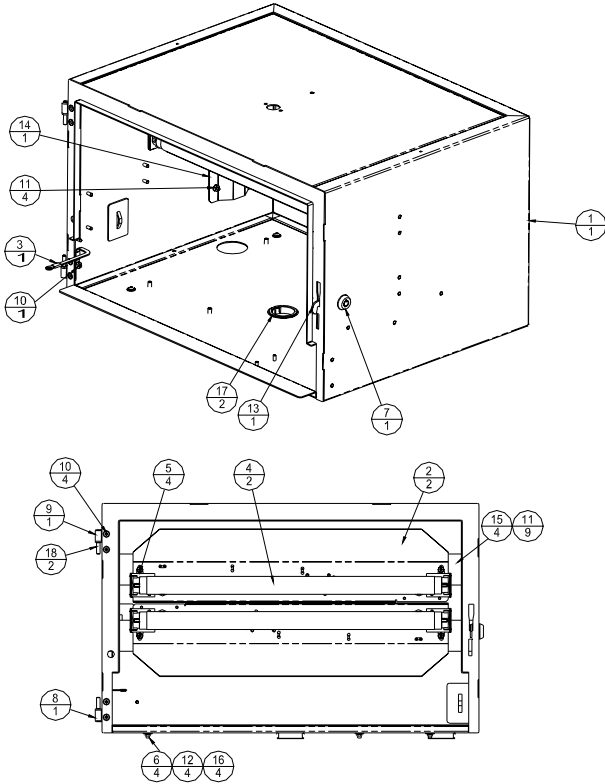
V8717 V8719

AS-04222-0403

Extended Top (Blank Printer Panel/System)

AS-04222-0419

V8717 V8719



REF	PART #	DESCRIPTION	QTY
1	A-X7229-SERIES	Extended Top Cabinet Assembly	1
2	AS-02335-0090	Starter/Ballast Socket Assembly, 60Hz (Ref)	2
3	AS-03106-0010-1	Ground Strap Assembly, 4-Inch	1
4	E-00412-0013	Lamp, Fluorescent, F15T8/CW	2
5	LSPP-00832-1106	Screw, Mach with Lock Phil Pan Hd	4
6	LSPP-01032-1106	Screw, Mach with Lock Phil Pan Hd	4
7	M-00281-162A	Lock, No Cam, Door/Bill Acceptor	1
8	M-01777-0547	Hinge Bracket	1
9	M-01777-0549	Upper Hinge Bracket	1
10	MSPX-00832-1106	Screw, Mach Phil Flat Hd, 82 DEG	4
11	NLS-00832-1112	Hex Nut	13
12	NLS-01032-1112	Hex Nut	4
13	P-00758-0185	Cam, Top Box Door	1
14	P-06717-0067	Baffle, Vent Upper	1
15	P-09322-0352	Dual Light Bracket	4
16	PW-00010-0012	Washer, Plain	4
17	S-00231-1049	Insulator Bushing	2
18	S-00700-0003	Hinge Pin	2

REF	PART #	DESCRIPTION	QTY
1	A-09395-0013	Faceplate, Blank Printer	1
2	A-X7229-SERIES	Oval Top Cabinet Assembly (Ref)	1
3	AS-02335-0090	Starter/Ballast Socket Assembly (Ref)	1
4	AS-02982-0055	Power Supply Assembly, Low Leakage, 24V, Printer	1
5	AS-03106-0010-1	Ground Strap Assembly, 4-Inch	1
6	E-00108-0385	Door Push Switch	1
7	E-00412-0013	Lamp, Fluorescent F18T8/CW	1
8	LSPP-00832-1106	Screw, Mach with Lock Phil Pan Hd	4
9	LSPP-01032-1106	Screw, Mach with Lock Phil Pan Hd	4
10	M-00281-162A	Lock, No Cam, Door/Bill Acceptor	1
11	M-01777-0547	Hinge Bracket	1
12	M-01777-0549	Upper Hinge Bracket	1
13	MSPX-00832-1106	Screw, Mach Phil Flat Hd, 82 DEG	4
14	NLS-00632-1112	Hex Nut	2
15	NLS-00832-1112	Hex Nut	19
16	NLS-01032-1112	Hex Nut	4
17	P-00758-0185	Cam, Top Box Door	1
18	P-06717-0067	Baffle, Vent Upper	1
19	P-09322-0333	Power Supply Bracket	1
20	P-09322-0347	Switch Mounting Bracket	1
21	P-09322-0351	Ticket Shield	1
22	P-09322-0352	Dual Light Bracket	2
23	P-09322-0365	Systems Panel Bracket	2
24	P-09322-0366	Systems Panel Bracket	1
25	PW-00010-0012	Washer, Plain	4
26	S-00231-1049	Insulator Bushing	2
27	S-00700-0003	Hinge Pin	2



EVO™ V8717 / V8719

Top Box Selections

Standard Top (System)

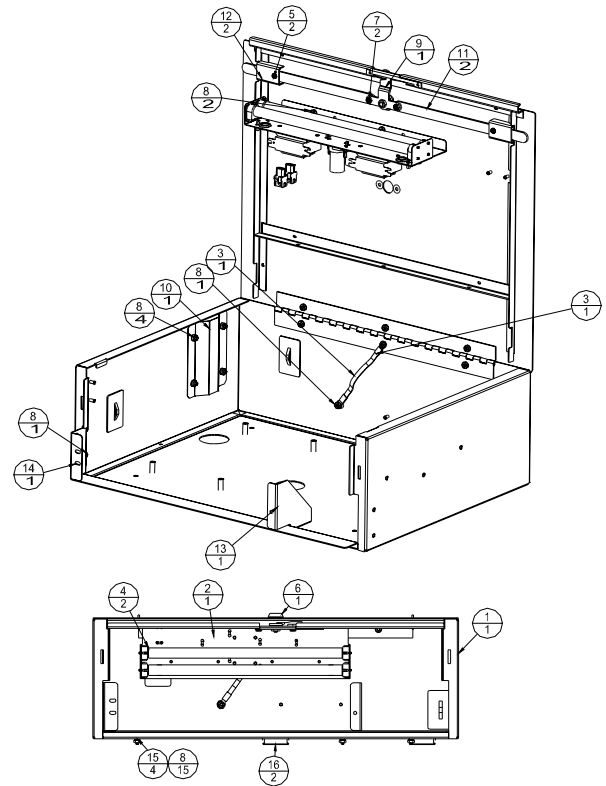
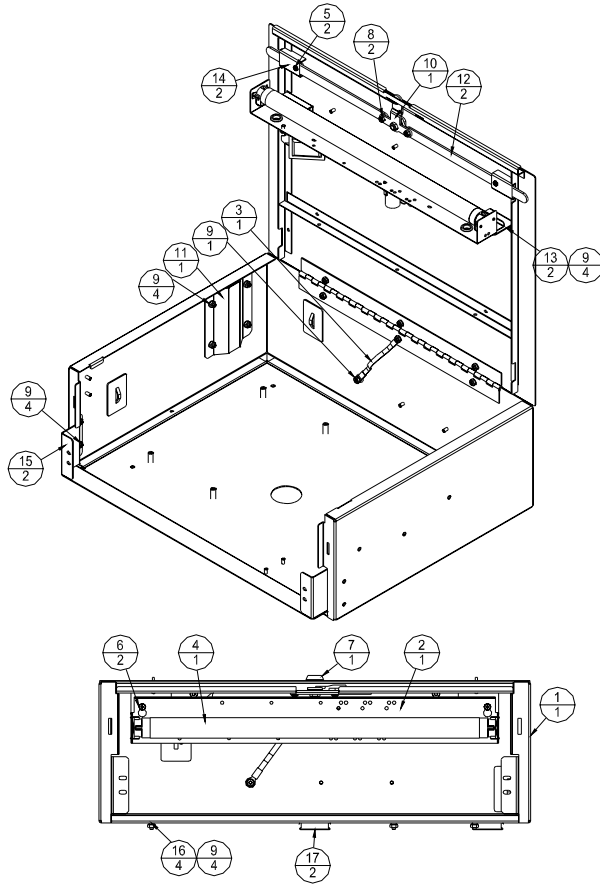
AS-04222-0405

V8717 V8719

Standard Top (Printer/System)

AS-04222-0406

V8717 V8719



REF	PART #	DESCRIPTION	QTY
1	A-X7232-SERIES	Standard Top Cabinet Assembly (Ref)	1
2	AS-02335-0080	Starter/Ballast Socket Assembly, 60Hz (Ref)	1
3	AS-03106-0006-1	Ground Strap Assembly, 6-Inch	1
4	E-00412-0013	Lamp, Fluorescent, F15T8/CW	1
5	LSPP-00632-1106	Screw, Mach with Lock Phil Pan Hd	2
6	LSPP-00832-1106	Screw, Mach with Lock Phil Pan Hd	4
7	M-00281-162A	Lock, No Cam, Door/Bill Acceptor	1
8	M-00319-0006	Elastic, Stop Nut (ESNA)	2
9	NLS-00832-1112	Hex Nut	17
10	P-00758-0199	Cam, Lock	1
11	P-06717-0067	Baffle, Vent Upper	1
12	P-07216-0004	Bar, Lock	2
13	P-07217-0011	Light Mounting Bracket	2
14	P-07217-0012	Lock Bar Support	2
15	P-09322-0365	Systems Panel Bracket	2
16	PW-00010-0012	Washer, Plain	4
17	S-00231-1049	Insulator Bushing	2

REF	PART #	DESCRIPTION	QTY
1	A-X7232-SERIES	Standard Top Cabinet Assembly	1
2	AS-02335-0091	Starter/Ballast Socket Assembly, 50/60Hz (Ref)	1
3	AS-03106-0006-1	Ground Strap Assembly, 6-Inch	1
4	E-00412-0021	Lamp, Fluorescent, 11.5-Inch, 8W	2
5	LSPP-00632-1106	Screw, Mach with Lock Phil Pan Hd	2
6	M-00281-162A	Lock, No Cam, Door/Bill Acceptor	1
7	M-00319-0006	Elastic, Stop Nut (ESNA)	2
8	NLS-00832-1112	Hex Nut	15
9	P-00758-0199	Cam, Lock	1
10	P-06717-0067	Baffle, Vent Upper	1
11	P-07216-0004	Bar, Lock	2
12	P-07217-0012	Lock Bar Support	2
13	P-09322-0349	Systems Panel Bracket	1
14	P-09322-0365	Systems Panel Bracket	1
15	PW-00008-0012	Washer, Plain	4
16	S-00231-1049	Insulator Bushing	2

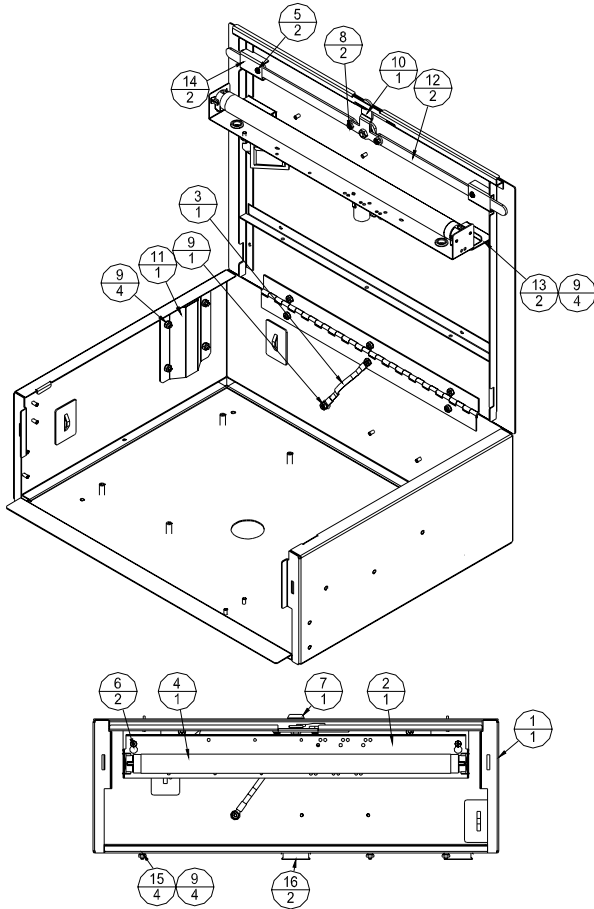
EVO™ V8717 / V8719

Top Box Selections

Standard Top

V8717 V8719

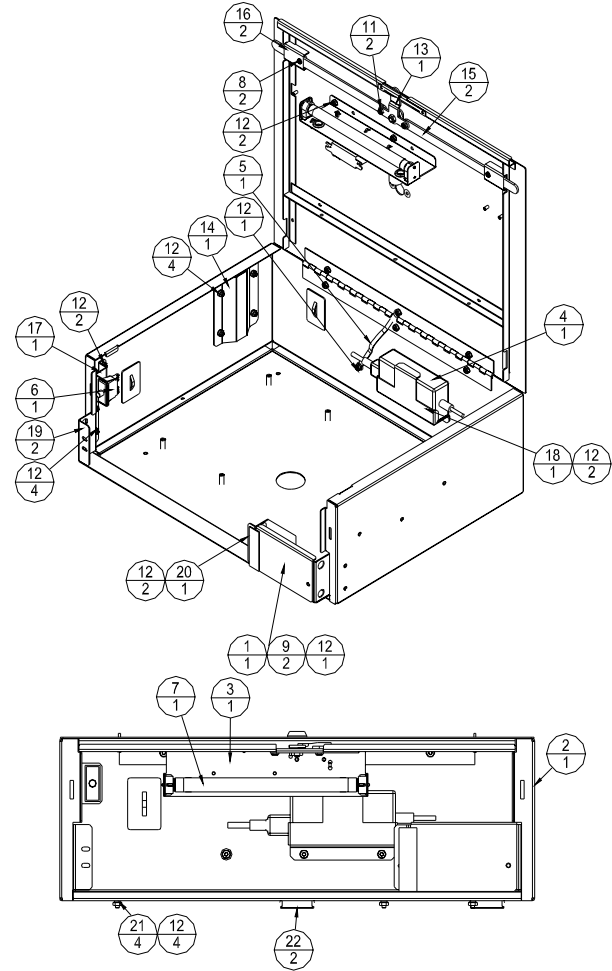
AS-04222-0407



Standard Top (Blank Printer Panel/System)

AS-04222-0420

V8717 V8719



REF	PART #	DESCRIPTION	QTY
1	A-X7232-SERIES	Standard Top Cabinet Assembly (Ref)	1
2	AS-02335-0080	Starter/Ballast Socket Assembly, 60Hz (Ref)	1
3	AS-03106-0006-1	Ground Strap Assembly, 6-Inch	1
4	E-00412-0013	Lamp, Fluorescent, F15T8/CW	1
5	LSPP-00632-1106	Screw, Mach with Lock Phil Pan Hd	2
6	LSPP-00832-1106	Screw, Mach with Lock Phil Pan Hd	2
7	M-00281-162A	Lock, No Cam, Door/Bill Acceptor	1
8	M-00319-0006	Elastic, Stop Nut (ESNA)	2
9	NLS-00832-1112	Hex Nut	13
10	P-00758-0199	Cam, Lock	1
11	P-06717-0067	Baffle, Vent Upper	1
12	P-07216-0004	Bar, Lock	2
13	P-07217-0011	Light Mounting Bracket	2
14	P-07217-0012	Lock Bar Support	2
15	PW-00010-0012	Washer, Plain	4
16	S-00231-1049	Insulator Bushing	2

REF	PART #	DESCRIPTION	QTY
1	A-09395-0013	Faceplate, Blank Printer	1
2	A-X7232-SERIES	Oval Top Cabinet Assembly (Ref)	1
3	AS-02335-0088	Starter/Ballast Socket Assembly, 120V, 60Hz (Ref)	1
4	AS-02982-0055	Power Supply Assembly, Low Leakage, 24V, Printer	1
5	AS-03106-0006-2	Ground Strap Assembly, 6-Inch	1
6	E-00108-0385	Door Push Switch	1
7	E-00412-0006	Lamp, 4W	1
8	LSPP-00632-1106	Screw, Mach with Lock Phil Pan Hd	2
9	LSPP-00832-1106	Screw, Mach with Lock Phil Pan Hd	2
10	M-00281-162A	Lock, No Cam, Door/Bill Acceptor	1
11	M-00319-0006	Elastic, Stop Nut (ESNA)	2
12	NLS-00832-1112	Hex Nut	22
13	P-00758-0199	Cam, Lock	1
14	P-06717-0067	Baffle, Vent Upper	1
15	P-07216-0004	Bar, Lock	2
16	P-07217-0012	Support, Lock Bar	2
17	P-09319-0636	Switch Bracket	1
18	P-09322-0333	Power Supply Bracket	1
19	P-09322-0365	Systems Panel Bracket	2
20	P-09322-0366	Systems Panel Bracket	1
21	PW-00010-0012	Washer, Plain	4
22	S-00231-1049	Insulator Bushing	2
23	P-09319-0637	Switch Plunger Bracket	1



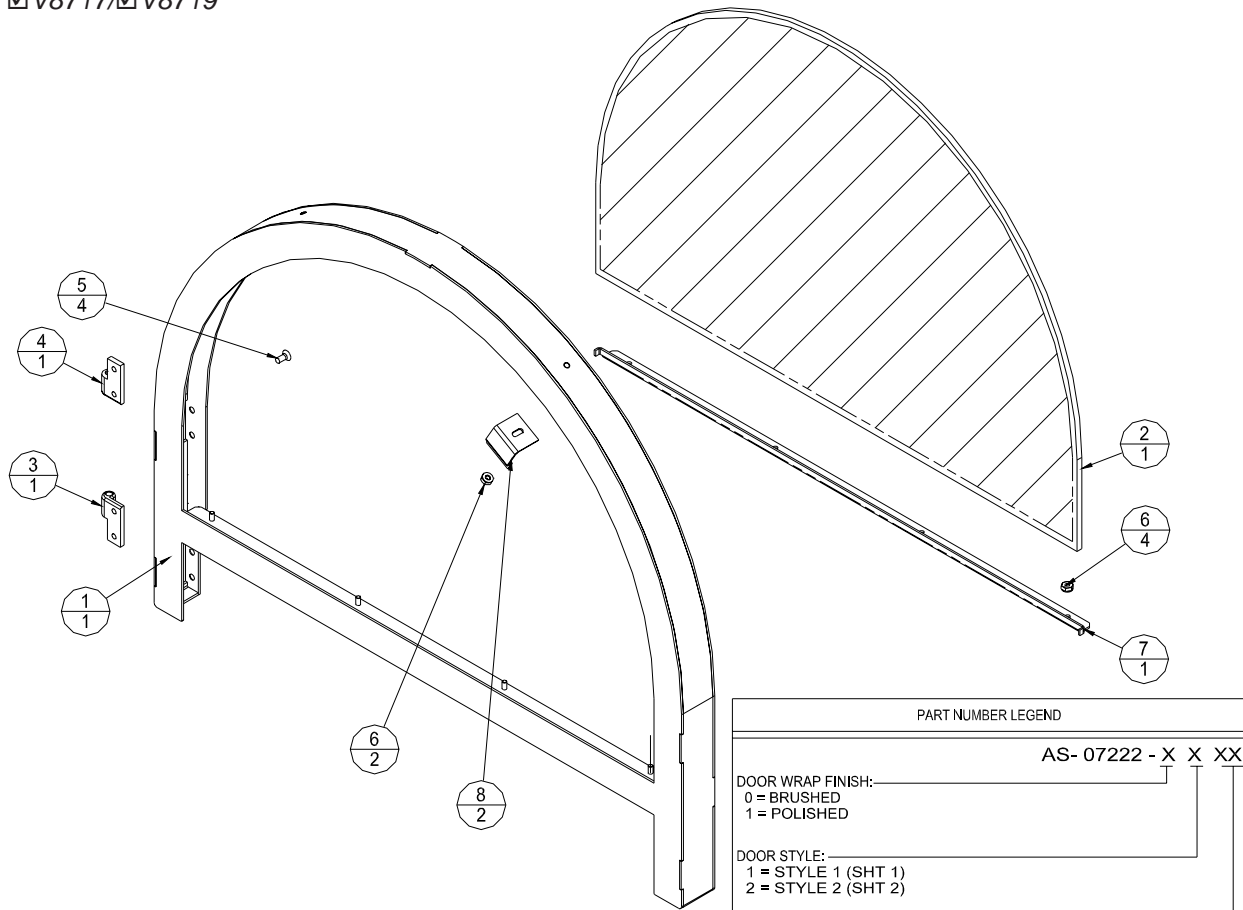
EVO™ V8717 / V8719

Top Box Selections

Top Box Door, Round

AS-07222-(SERIES)

V8717 V8719



AVAILABILITY:

PART #	DESCRIPTON	V8717	V8719
AS-07222-01P1	Top Box Door, Round, Chrome (System/Printer)	X	X
AS-07222-01P4	Top Box Door, Round, Gold (System/Printer)	X	X
AS-07222-02P1	Top Box Door, Round, Chrome	X	X
AS-07222-02P4	Top Box Door, Round, Gold	X	X

PART NUMBER LEGEND	
AS- 07222 -	X X XX
DOOR WRAP FINISH:	
0 = BRUSHED	
1 = POLISHED	
DOOR STYLE:	
1 = STYLE 1 (SHT 1)	
2 = STYLE 2 (SHT 2)	
00 THRU 99:	
OPTION 1: POWDER COATED ASSY	
PER DWG PC-SPEC-0001 TABLE "A"	
P1 THRU P5	
OPTION 2: POLISHED AND PLATED ASSY	
PER DWG MET-SPEC-0002	

REF	PART #	DESCRIPTION	QTY
1	A-07222-SERIES	Door Assembly, Right	1
2	G-R0733	Door Glass, Right	1
3	M-01777-0547	Hinge Bracket	1
4	M-01777-0549	Upper Hinge Bracket	1
5	MSPX-00832-1106	Screw, Mach Phil Flat Hd, 82 DEG	4

REF	PART #	DESCRIPTION	QTY
6	NLS-00632-1112	Hex Nut	6
7	P-07208-0006	Glass Mounting Bracket	1
8	P-07208-0007	Glass Clamp	2
9	R-00553-0011-1	Gasket, 1/8 x 1/4 x 2, 2-Sided	1

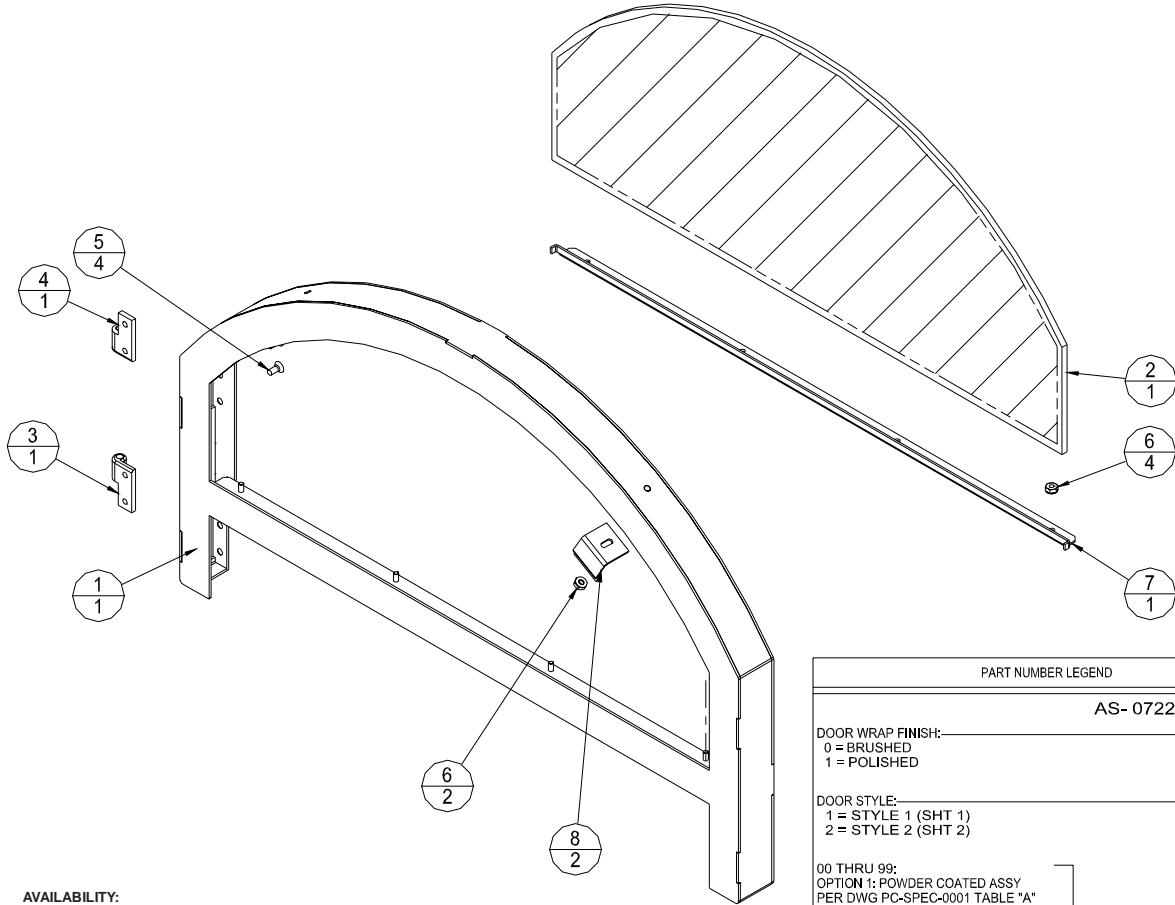
EVO™ V8717 / V8719

Top Box Selections

Top Box Door, Oval

AS-07226-(SERIES)

V8717 V8719



AVAILABILITY:

PART #	DESCRIPTION	V8717	V8719
AS-07226-01P1	Top Box Door, Oval, Chrome (System/Printer)	X	X
AS-07226-02P1	Top Box Door, Oval, Chrome	X	X

PART NUMBER LEGEND	
DOOR WRAP FINISH:	AS- 07226 - X X XX
0 = BRUSHED	
1 = POLISHED	
DOOR STYLE:	
1 = STYLE 1 (SHT 1)	
2 = STYLE 2 (SHT 2)	
00 THRU 99:	
OPTION 1: POWDER COATED ASSY	
PER DWG PC-SPEC-0001 TABLE "A"	
P1 THRU P5	
OPTION 2: POLISHED AND PLATED ASSY	
PER DWG MET-SPEC-0002	

REF	PART #	DESCRIPTION	QTY
1	A-07226-SERIES	Door Assembly, Right, Oval Top	1
2	G-R0748	Door Glass, Right, Oval Top	1
3	M-01777-0547	Hinge Bracket	1
4	M-01777-0549	Upper Hinge Bracket	1
5	MSPX-00832-1106	Screw, Mach Phil Flat Hd, 82 DEG	4

REF	PART #	DESCRIPTION	QTY
6	NLS-00632-1112	Hex Nut	6
7	P-07208-0006	Glass Mounting Bracket	1
8	P-07208-0007	Glass Clamp	2
9	R-00553-0011-1	Gasket, 1/8 x 1/4 x 2, 2-Sided	1

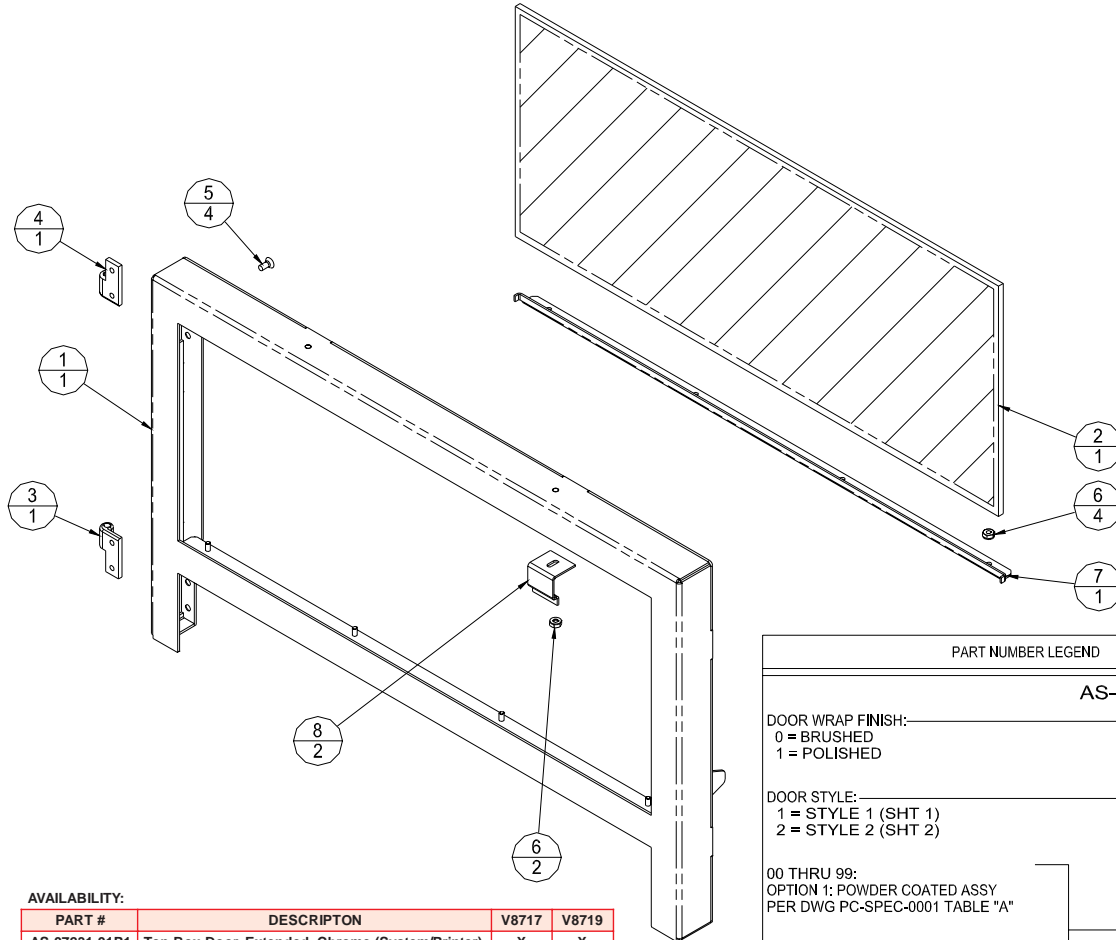


EVO™ V8717 / V8719

Top Box Selections

Top Box Door, Extended AS-07231-(SERIES)

V8717 V8719



AVAILABILITY:

PART #	DESCRIPTION	V8717	V8719
AS-07231-01P1	Top Box Door, Extended, Chrome (System/Printer)	X	X
AS-07231-01P4	Top Box Door, Extended, Gold (System/Printer)	X	X
AS-07231-02P1	Top Box Door, Extended, Chrome	X	X
AS-07231-02P4	Top Box Door, Extended, Gold	X	X

PART NUMBER LEGEND	
AS- 07231 - X X XX	
DOOR WRAP FINISH:	_____
0 = BRUSHED	
1 = POLISHED	
DOOR STYLE:	_____
1 = STYLE 1 (SHT 1)	
2 = STYLE 2 (SHT 2)	
00 THRU 99:	_____
OPTION 1: POWDER COATED ASSY	
PER DWG PC-SPEC-0001 TABLE "A"	
P1 THRU P5	_____
OPTION 2: POLISHED AND PLATED ASSY	
PER DWG MET-SPEC-0002	

REF	PART #	DESCRIPTION	QTY
1	A-07231-SERIES	Door Assembly, Right, Extended Top	1
2	G-R0737	Door Glass, Chop Top	1
3	M-01777-0547	Hinge Bracket	1
4	M-01777-0549	Upper Hinge Bracket	1
5	MSPX-00832-1106	Screw, Mach Phil Flat Hd, 82 DEG	4

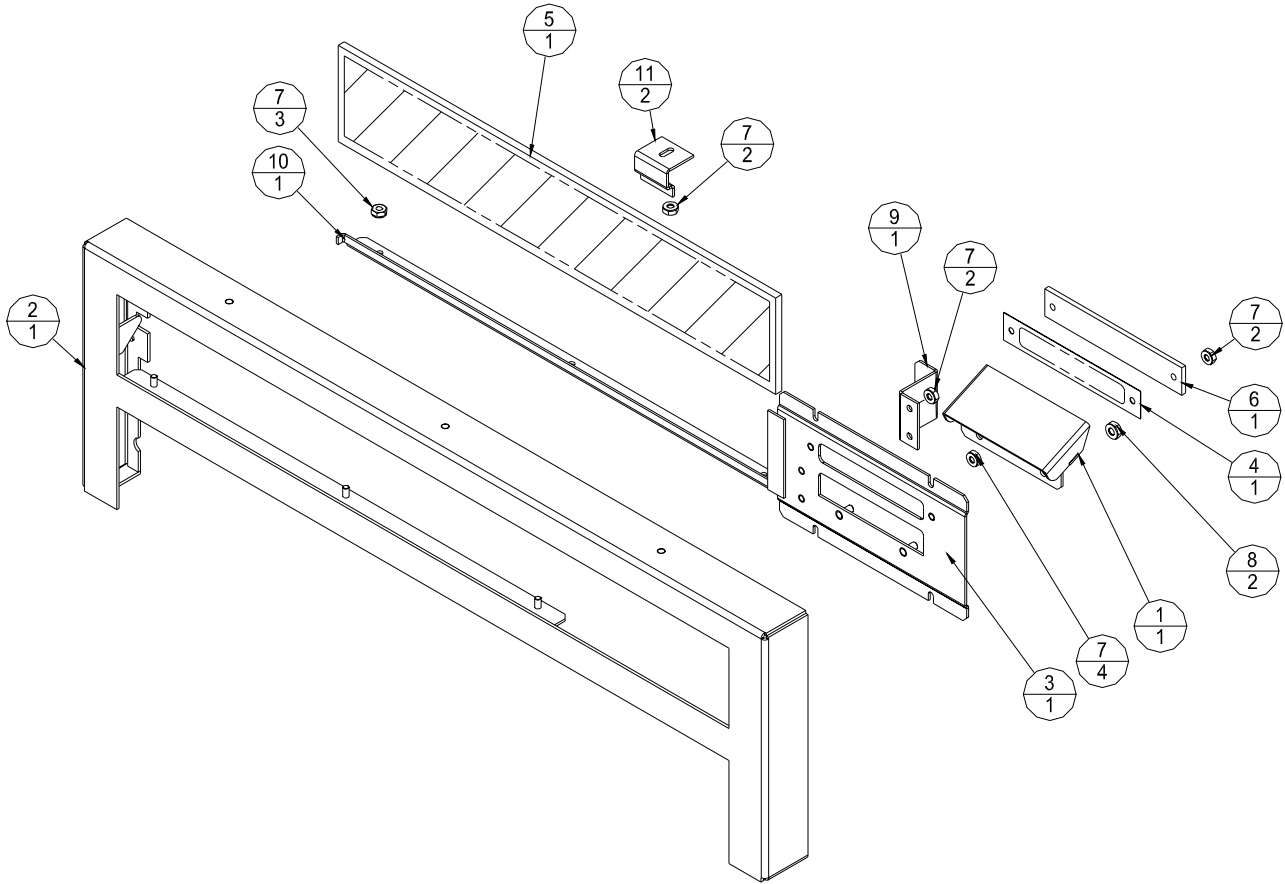
REF	PART #	DESCRIPTION	QTY
6	NLS-00632-1112	Hex Nut	6
7	P-07208-0006	Glass Mounting Bracket	1
8	P-07208-0007	Glass Clamp	2
9	R-00553-0011-1	Gasket, 1/8 x 1/4 x 2, 2-Sided	1

EVO™ V8717 / V8719

Top Box Selections

|| Top Box Door, Standard AS-07217-(SERIES)

V8717 V8719



AVAILABILITY:

PART #	DESCRIPTION	V8717	V8719
AS-07217-03P1	Top Box Door, Standard, Chrome (System/Printer)	X	X
AS-07231-03P4	Top Box Door, Standard, Gold (System/Printer)	X	X
AS-07231-04P1	Top Box Door, Standard, Chrome	X	X

REF	PART #	DESCRIPTION	QTY
1	A-04380-0028	Ticket Chute	1
2	A-07217-SERIES	Door Assembly, Standard Top	1
3	A-09395-0009	Faceplate, Printer, Narrow	1
4	C150-00218-TICK	Decal, Printer, Narrow	1
5	G-R0741	Door Glass, Standard Top	1
6	M-03114-0003	Decal Lens	1
7	NLS-00632-1112	Hex Nut	13
8	NLS-00832-1112	Hex Nut	2
9	P-07208-0008	Switch Plunger Bracket	1
10	P-07217-0006	Glass Mounting Bracket	1
11	P-07217-0007	Glass Clamp	2
12	R-00553-0011-1	Gasket, 1/8 x 1/4 x 2, 2-Sided	1

PART NUMBER LEGEND

AS- 07217 - X X XX

DOOR WRAP FINISH:
 0 = BRUSHED
 1 = POLISHED

DOOR STYLE:
 1 = STYLE 1 (SHT 1)
 2 = STYLE 2 (SHT 2)
 3 = STYLE 3 (SHT 3)
 4 = STYLE 4 (SHT 4)
 5 = STYLE 5 (SHT 5)
 6 = STYLE 6 (SHT 6)

00 THRU 99:
 OPTION 1: POWDER COATED ASSY
 PER DWG PC-SPEC-0001 TABLE "A"

P1 THRU P5
 OPTION 2: POLISHED AND PLATED ASSY
 PER DWG MET-SPEC-0002



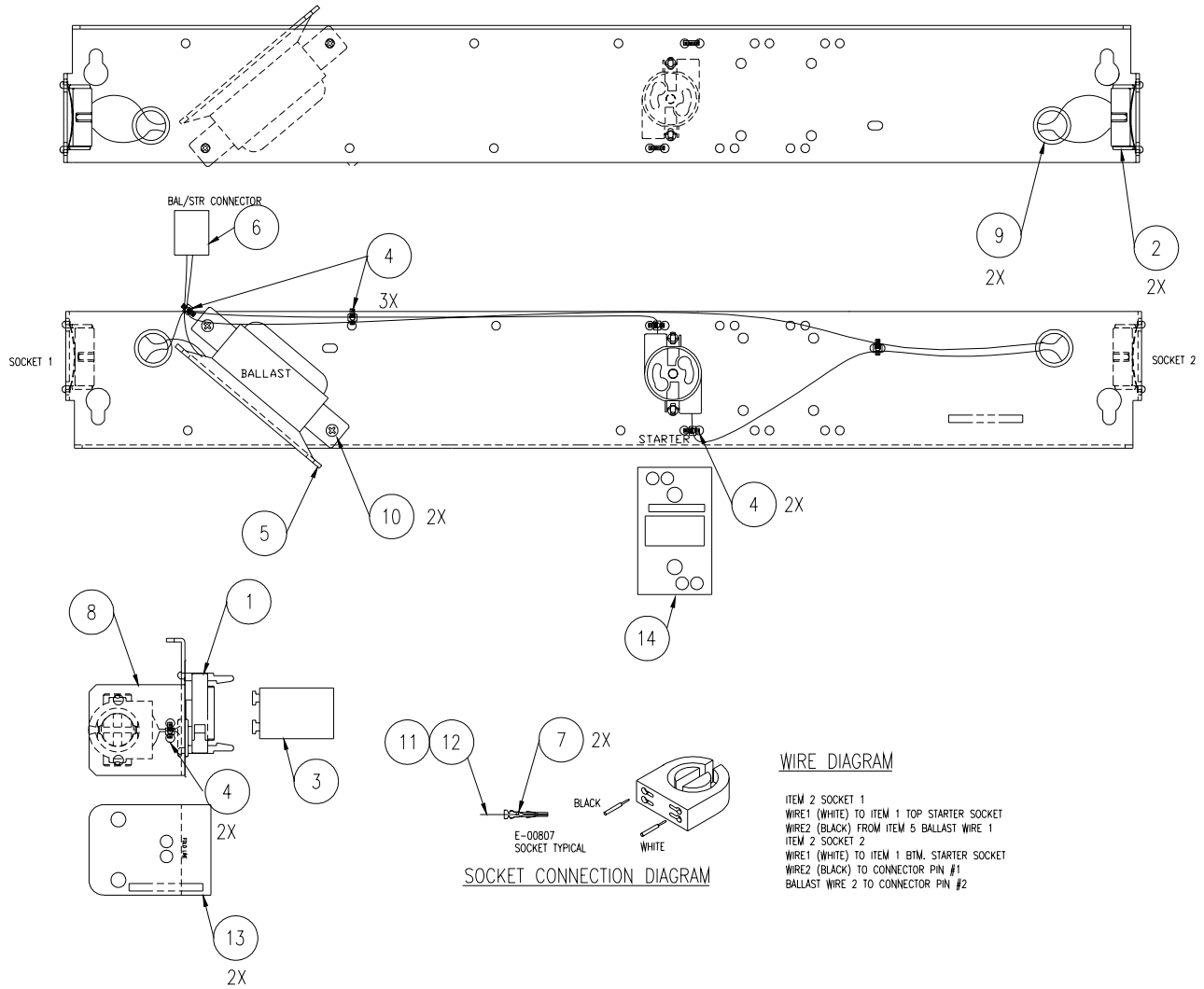
EVO™ V8717 / V8719

Top Box Selections

Starter/Ballast Assembly AS-0X335-(SERIES)
 V8717 V8719 Slant

Starter/Ballast Assembly, 60 Hz.
 AS-02335-0080

V8717 V8719



REF	PART #	DESCRIPTION	QTY
1	E-00120-0265	Socket, Fluorescent Lamp Starter	1
2	E-00120-0266	Socket, Fluorescent Lamp	2
3	E-00411-0008	Starter, Fluorescent, FS-2	1
4	E-00647-0004	Cable Tie	7
5	E-00409-0010	Ballast Assembly	1
6	E-00804-0002	Connector Housing Cap	1
7	E-00807	Socket, Amp 24-18, Strip	2

REF	PART #	DESCRIPTION	QTY
8	P-09082-0003	Ballast/Starter Fluorescent Tube Bracket	1
9	R-00111-0008	Grommet	2
10	TFPP-00832-1104	Screw, 8-32 x 1/4 Thd Form Phil Pan Hd	2
11	WIP-ES202-1880	PVC, Solid, 18 AWG Black Type Tew	A/R
12	WIP-ES202-1850	PVC, Solid, 18 AWG White Type Tew	A/R
13	P-00150-0291	Insulator, Polycarbonate, CE97	2
14	P-00150-0292	Insulator, Polycarbonate, CE97	1

EVO™ V8717 / V8719

Top Box Selections

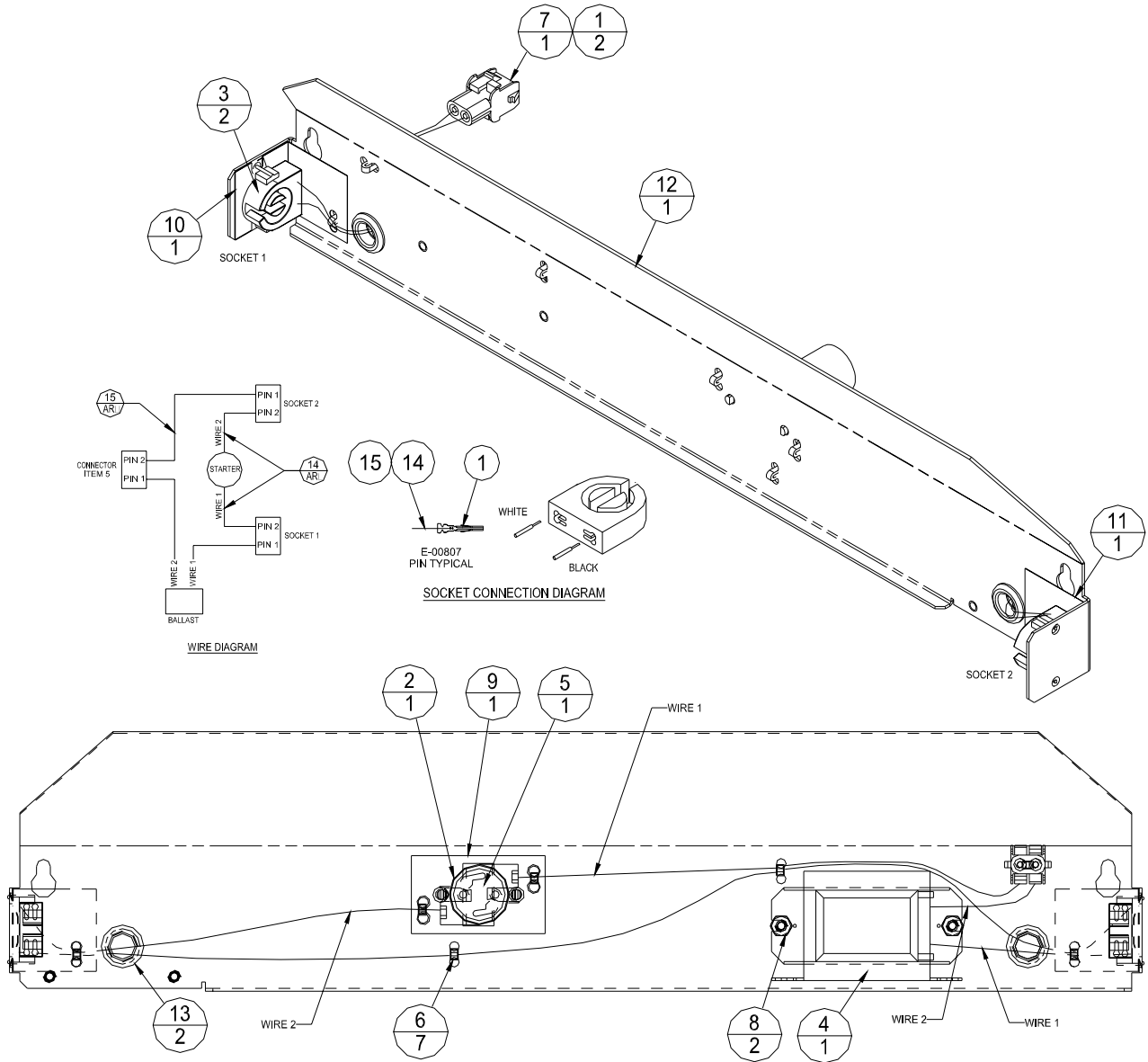
| Starter/Ballast Assembly (Cont.)
AS-0X335-(SERIES)

V8717 V8719 Slant

|| Starter/Ballast Assembly, 60 Hz., Round Top, Oval Top, Extended Top

AS-02335-0090

V8717 V8719



REF	PART #	DESCRIPTION	QTY
1	E-00807	Socket, Amp, 24-18	2
2	E-00120-0265	Socket, Fluorescent Lamp Starter, CE97	1
3	E-00120-0266-1	Socket, Fluorescent Lamp, CE97	2
4	E-00409-0010	Ballast, for F15T8 Tube 60 Hz	1
5	E-00411-0008	Starter, Fluorescent, FS-2	1
6	E-00647-0004	Tie Wrap	7
7	E-00804-0002	Connector Housing Cap	1
8	NLS-00632-1112	Hex Nut	2

REF	PART #	DESCRIPTION	QTY
9	P-00150-0292	Insulator, Polycarbonate, CE97	1
10	P-00150-0290-1	Insulator, Part # P-00150-0290	1
11	P-00150-0290-2	Insulator, Part # P-00150-0290	1
12	P-09082-0010	Light Reflector	1
13	R-00111-0008	Grommet, 13/32 ID	2
14	WIP-ES203-1850	PVC, Stranded 18 AWG, White Type Tew	A/R
15	WIP-ES203-1880	PVC, Stranded 18 AWG, Black Type Tew	A/R



EVO™ V8717 / V8719

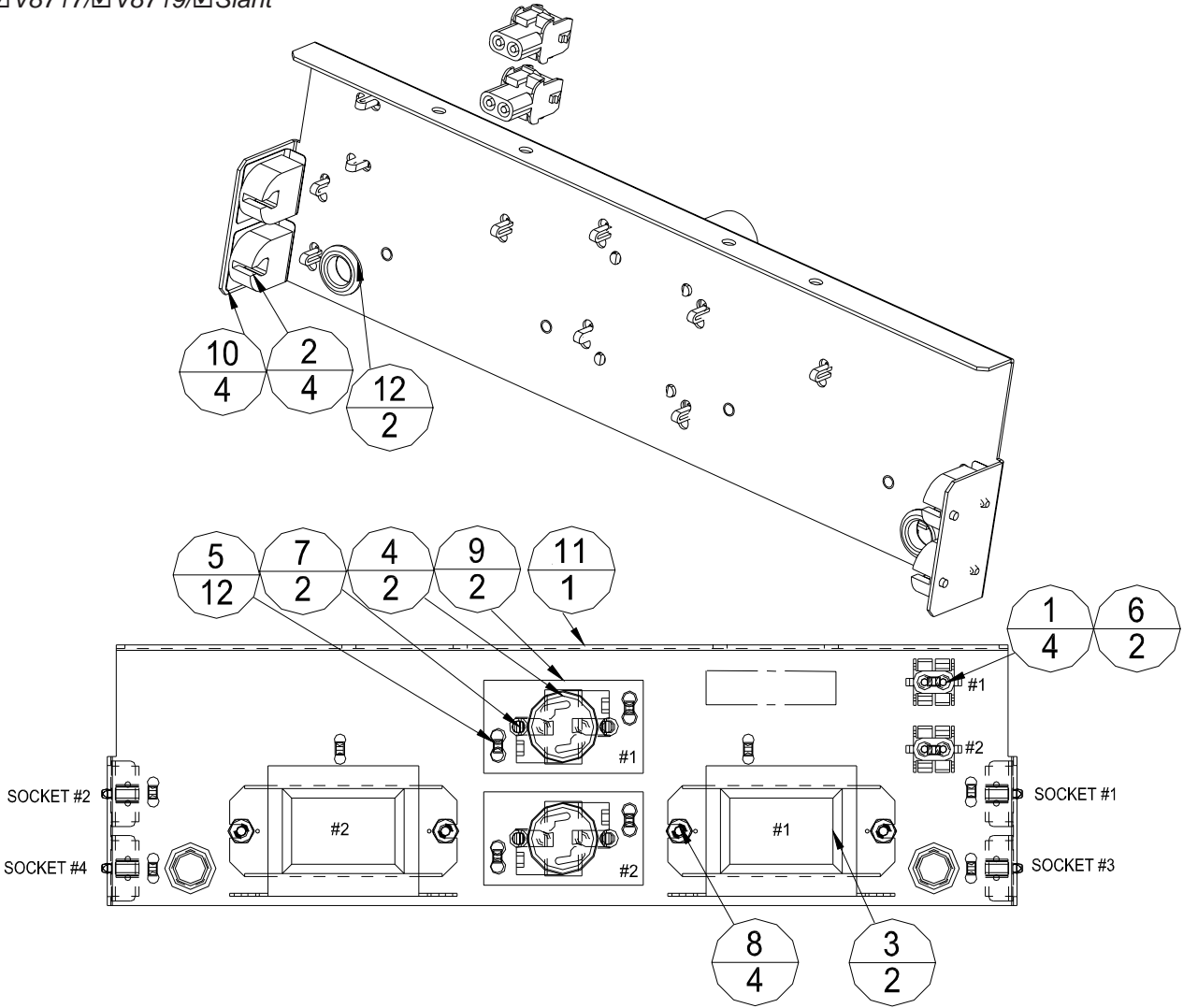
Top Box Selections

| Starter/Ballast Assembly (Cont.)
AS-0X335-(SERIES)

V8717 V8719 Slant

|| Starter/Ballast Assembly, 60 Hz., Standard Top
AS-02335-0091

V8717 V8719 Slant



REF	PART #	DESCRIPTION	QTY
1	E-00807	Socket, Amp, 24-18	4
2	E-00120-0268	Socket, Fluorescent, 4W	4
3	E-00409-0014	Ballast/Terminal Assembly	2
4	E-00411-0010	Starter, Fluorescent, FS-2	2
5	E-00647-0004	Tie Wrap	12
6	E-00804-0002	Connector Housing Cap	2
7	E-00120-0265	Socket, Fluorescent Lamp Starter, CE97	2

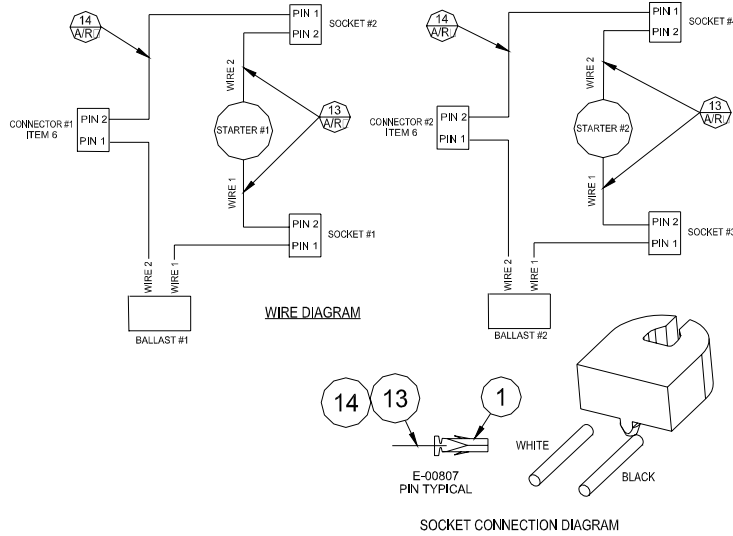
REF	PART #	DESCRIPTION	QTY
8	NLS-00632-1112	Hex Nut	4
9	P-00150-0292	Insulator, Polycarbonate, CE97	2
10	P-00150-0297-1	Insulator, 4W Socket	4
11	P-09082-0012	Light Assembly Bracket	1
12	R-00111-0008	Grommet, 13/32 ID	2
13	WIP-ES202-1880	PVC, Solid, 18 AWG, White, Type Tew	A/R
14	WIP-ES202-1850	PVC, Solid, 18 AWG, Black, Type Tew	A/R

EVO™ V8717 / V8719

Top Box Selections

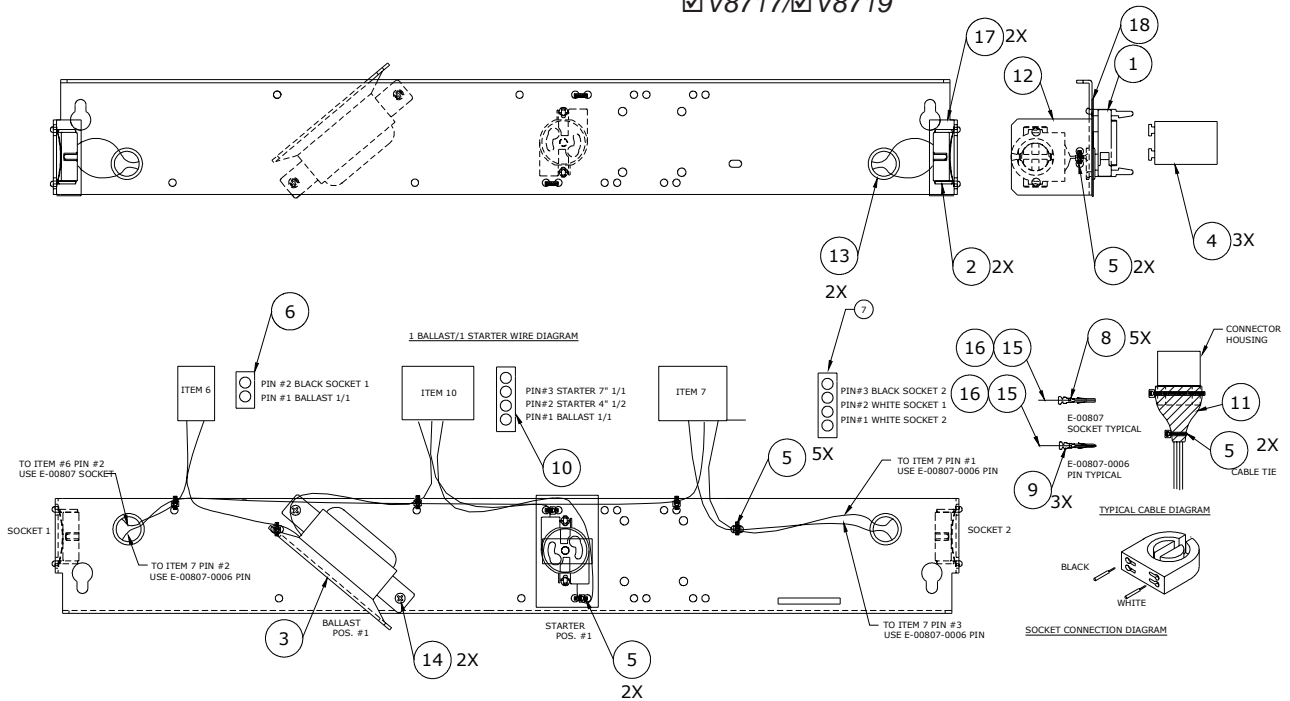
| Starter/Ballast Assembly, (Cont.)
AS-0X335-(SERIES)
 V8717 V8719 Slant

| Starter/Ballast Assembly, 60 Hz., Standard Top (Cont.)
AS-02335-0091 V8717 V8719 Slant



Starter/Ballast, 50HZ., CE97
 V8717 V8719

AS-03335-0012



REF	PART #	DESCRIPTION	QTY
1	E-00120-0265	Socket, Fluorescent Lamp Starter CE97	1
2	E-00120-0266	Socket, Fluorescent Lamp CE97	2
3	E-00409-0025	Ballast, F15T8, 50 Hz CE97	1
4	E-00411-0009	Starter, Fluorescent, FS-2 CE97	1
5	E-00647-0004	Cable Tie	15
6	E-00804-0002	Connector Housing Cap	1
7	E-00804-0004	Connector Housing Cap	1
8	E-00807	Socket, Amp 24-18, Strip	5
9	E-00807-0006	Pin, Amp 24-18, Strip	3

REF	PART #	DESCRIPTION	QTY
10	E-00808-0004	Connector Housing Plug	1
11	M-01777-5635	Shrink Tubing 1 1/2"	A/R
12	P-09082-0003	Ballast/Starter Fluorescent Tube Bracket	1
13	R-00111-0008	Grommet	2
14	TFPP-00832-1104	Screw, 8-32 X 1/4 Thd Form Phil Pan Hd	2
15	WIP-ES202-1880	PVC, Solid 18 AWG Black Type TEW	A/R
16	WIP-ES202-1850	PVC, Solid 18 AWG White Type TEW	A/R
17	P-00150-0291	Insulator, Polycarbonate CE97	2
18	P-00150-0292	Insulator, Polycarbonate CE97	1

| - Revised, || - New

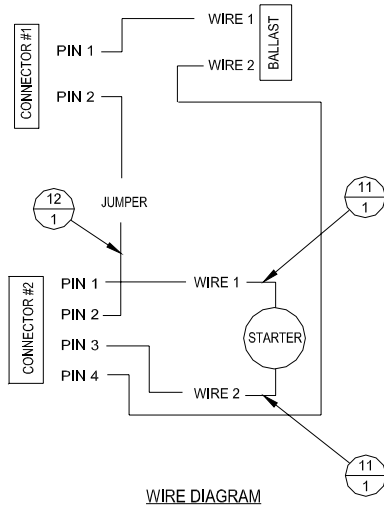


EVO™ V8717 / V8719

Top Box Selections

| Starter/Ballast Assembly, (Cont.) AS-0X335-(SERIES)

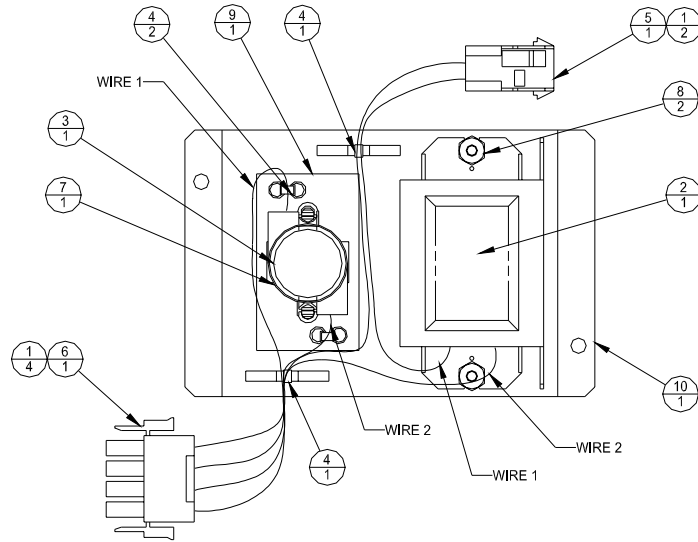
V8717:



WIRE DIAGRAM

Starter/Ballast Assembly, 120V, 60 Hz. AS-03335-0404

V8719 Slant



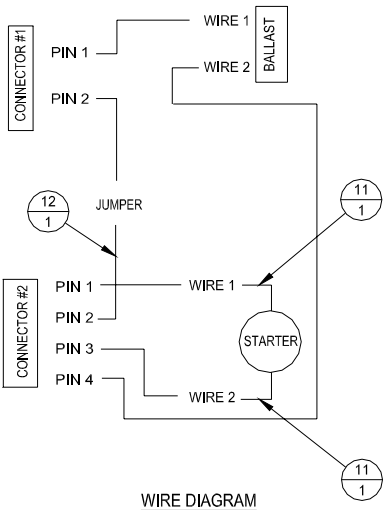
REF	PART #	DESCRIPTION	QTY
1	E-00807	Socket, Amp, 24-18	6
2	E-00409-0010	Ballast, for F15T8 Tube 60 Hz	1
3	E-00411-0008	Starter, Fluorescent, FS-2	1
4	E-00647-0004	TieWrap	4
5	E-00804-0002	Connector Housing Cap	1
6	E-00808-0004	Connector Housing Plug	1

REF	PART #	DESCRIPTION	QTY
7	E-00120-0265	Socket, Fluorescent Lamp Starter, CE97	1
8	NLS-00632-1112	Hex Nut	2
9	P-00150-0292	Insulator, Polycarbonate, CE97	1
10	P-09319-0574	Starter/Ballast Mounting Bracket	1
11	WP-ES202-1850-B	PVC, Solid 18 AWG White, Type Tew	1
12	WP-ES202-1880-B	PVC, Solid 18 AWG Black, Type Tew	1

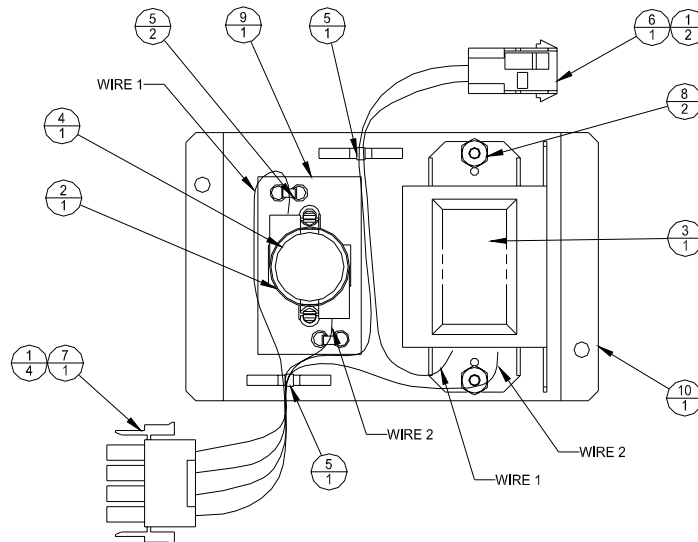
// Starter/Ballast Assembly, 220V, 50 Hz., CE97

AS-03335-0405

V8719 Slant



WIRE DIAGRAM



REF	PART #	DESCRIPTION	QTY
1	E-00807	Socket, Amp, 24-18	6
2	E-00120-0265	Socket, Fluorescent Lamp Starter, CE97	1
3	E-00409-0025	Ballast, for F15T8 Tube 50 Hz	1
4	E-00411-0009	Starter, Fluorescent, FS-2	1
5	E-00647-0004	TieWrap	4
6	E-00804-0002	Connector Housing Cap	1

REF	PART #	DESCRIPTION	QTY
7	E-00808-0004	Connector Housing Plug	1
8	NLS-00632-1112	Hex Nut	2
9	P-00150-0292	Insulator, Polycarbonate, CE97	1
10	P-09319-0574	Starter/Ballast Mounting Bracket	1
11	WP-ES202-1850-B	PVC, Solid 18 AWG White, Type Tew	1
12	WP-ES202-1880-B	PVC, Solid 18 AWG Black, Type Tew	1

EVO™ V8717 / V8719

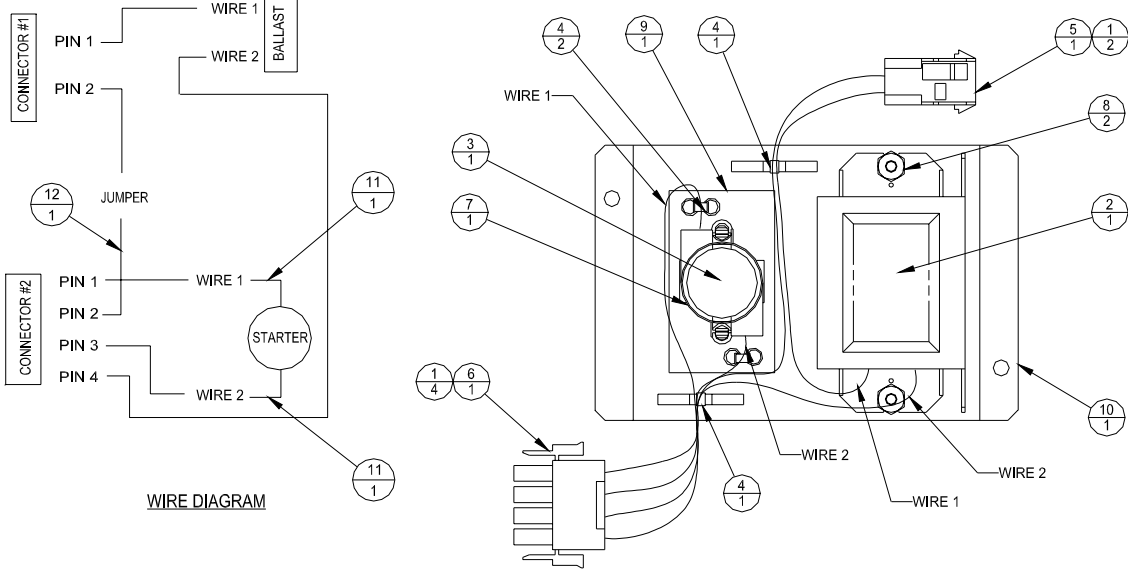
Top Box Selections

| Starter/Ballast Assembly, (Cont.)
AS-0X335-(SERIES)

|| Starter/Ballast Assembly, 220V, 60 Hz.
AS-03335-0406

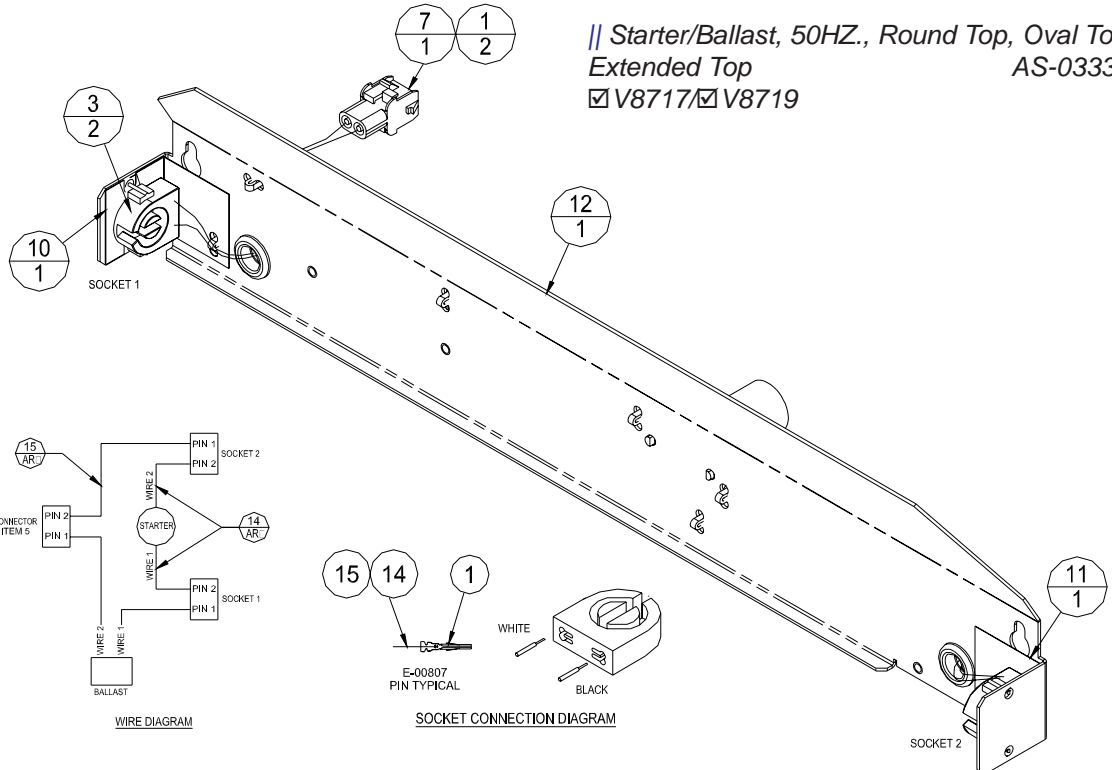
V8719

V8717 V8719 Slant



REF	PART #	DESCRIPTION	QTY
1	E-00807	Socket, Amp, 24-18	6
2	E-00409-0010	Ballast, for F15T8 Tube 60 Hz	1
3	E-00411-0010	Starter, Fluorescent, FS-2	1
4	E-00647-0004	TieWrap	4
5	E-00804-0002	Connector Housing Cap	1
6	E-00808-0004	Connector Housing Plug	1

REF	PART #	DESCRIPTION	QTY
7	E-00120-0265	Socket, Fluorescent Lamp Starter, CE97	1
8	NLS-00632-1112	Hex Nut	2
9	P-00150-0292	Insulator, Polycarbonate, CE97	1
10	P-09319-0574	Starter/Ballast Mounting Bracket	1
11	WP-ES202-1850-B	PVC, Solid 18 AWG White, Type Tew	1
12	WP-ES202-1880-B	PVC, Solid 18 AWG Black, Type Tew	1



|| Starter/Ballast, 50HZ., Round Top, Oval Top, Extended Top
AS-03335-0408
 V8717 V8719



EVO™ V8717 / V8719

Top Box Selections

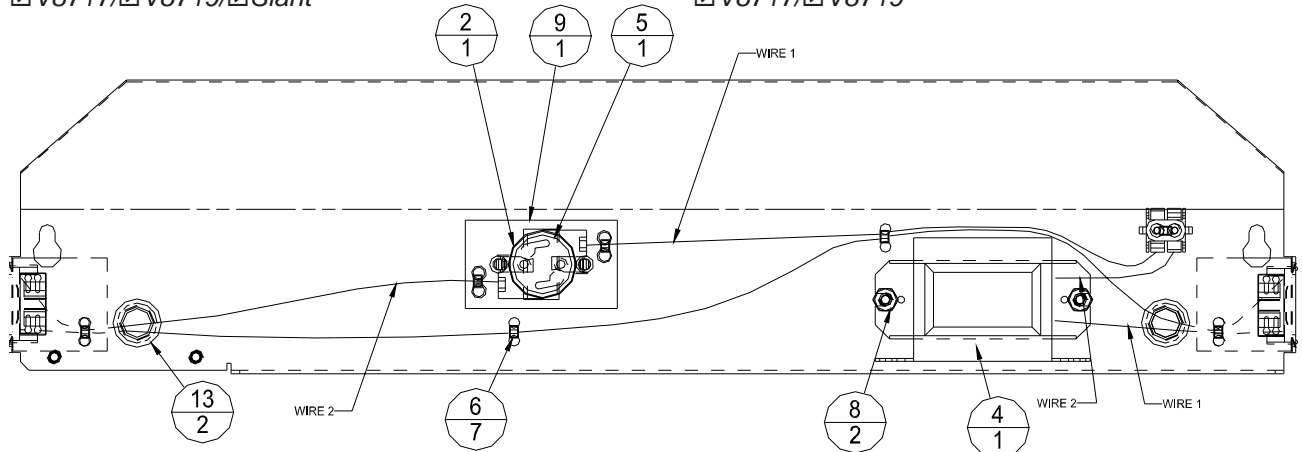
| Starter/Ballast Assembly, (Cont.)
AS-0X335-(SERIES)

V8717 V8719 Slant

|| Starter/Ballast, 50HZ., Round Top, Oval Top, Extended Top (Cont.)

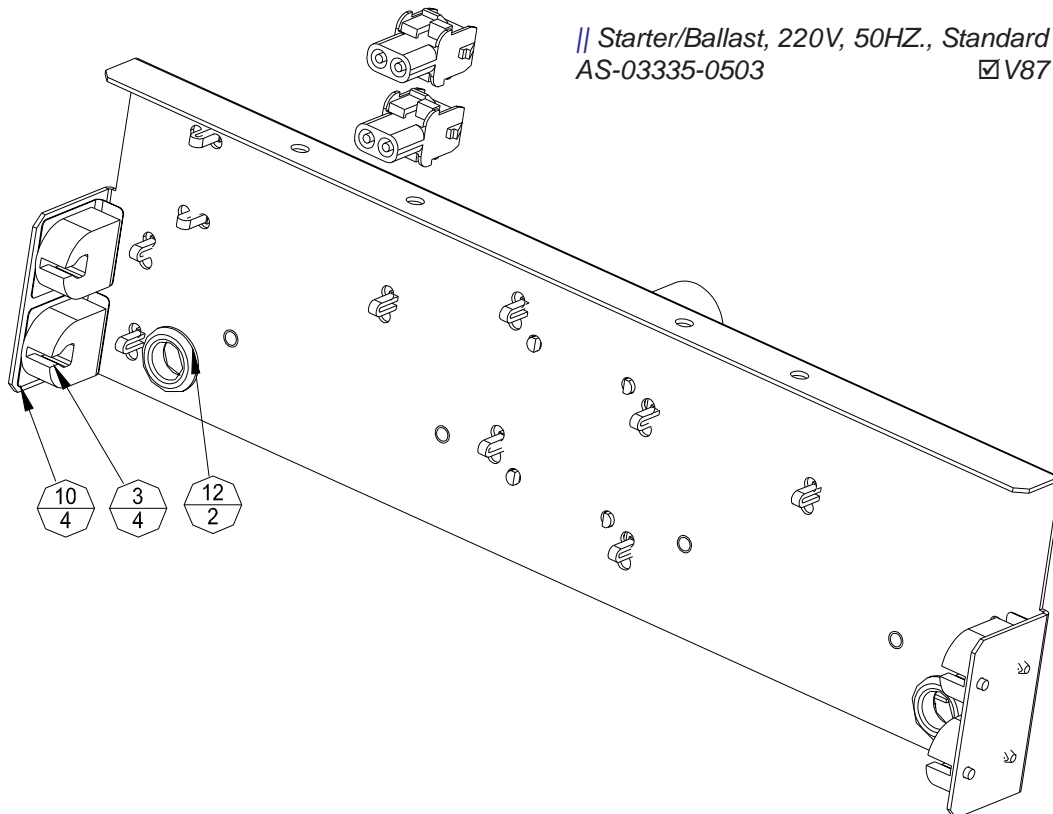
AS-03335-0408

V8717 V8719



REF	PART #	DESCRIPTION	QTY
1	E-00807	Socket, Amp, 24-18	2
2	E-00120-0265	Socket, Fluorescent Lamp Starter, CE97	1
3	E-00120-0266-1	Socket, Fluorescent Lamp, CE97	1
4	E-00409-0025	Ballast, For F15T8 Tube 50 Hz	1
5	E-00411-0009	Starter, Fluorescent, FS-2	1
6	E-00647-0004	Tie Wrap	7
7	E-00804-0002	Connector Housing Cap	1
8	NLS-00632-1112	Hex Nut	2

REF	PART #	DESCRIPTION	QTY
9	P-00150-0292	Insulator, Polycarbonate, CE97	1
10	P-00150-0290-1	Insulator, Part # P-00150-0290	1
11	P-00150-0290-2	Insulator, Part # P-00150-0290	1
12	P-09082-0010	Reflector, Light	1
13	R-00111-0008	Grommet, 13/32 ID	2
14	WIP-ES203-1850	PVC, Stranded 18 AWG, Black Type Tew	A/R
15	WIP-ES203-1880	PVC, Stranded 18 AWG, White Type Tew	A/R



|| Starter/Ballast, 220V, 50HZ., Standard Top
AS-03335-0503

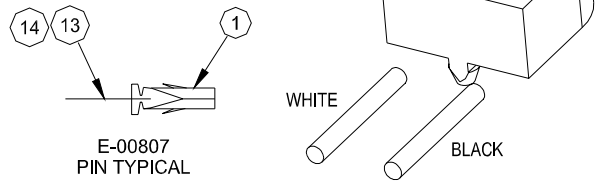
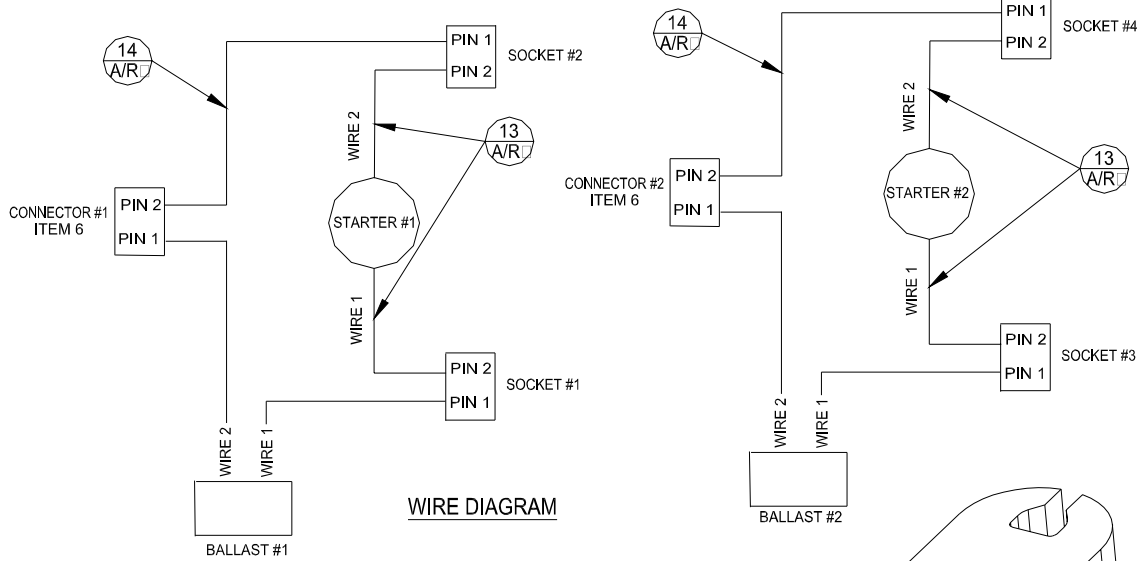
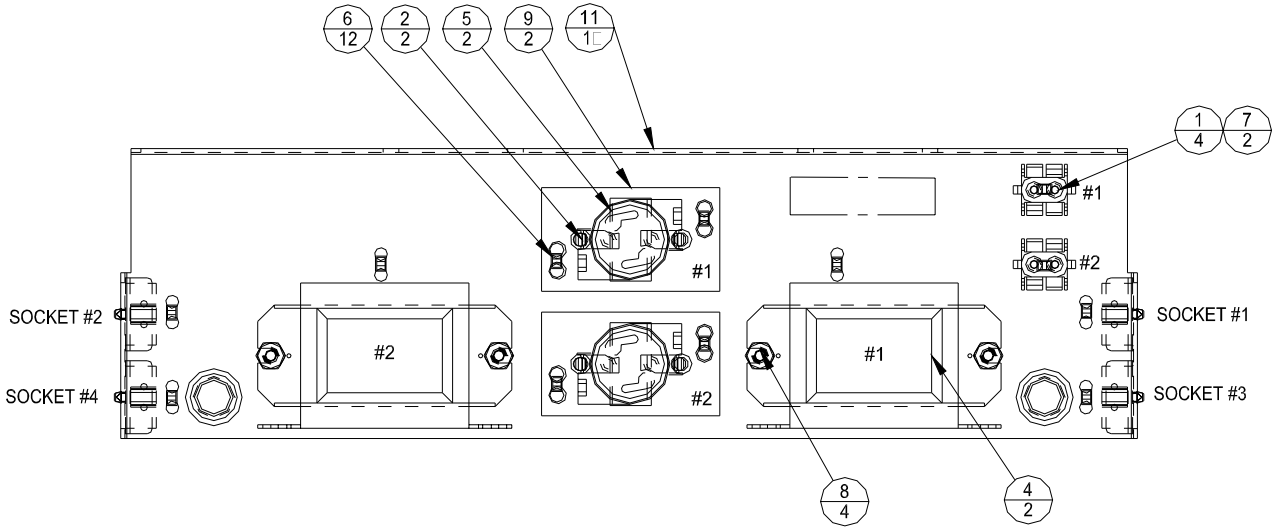
V8717 V8719

EVO™ V8717 / V8719

Top Box Selections

| Starter/Ballast Assembly, (Cont.)
AS-0X335-(SERIES)

|| Starter/Ballast, 220V, 50HZ., Standard Top (Cont.)
AS-03335-0503 V8717 V8719



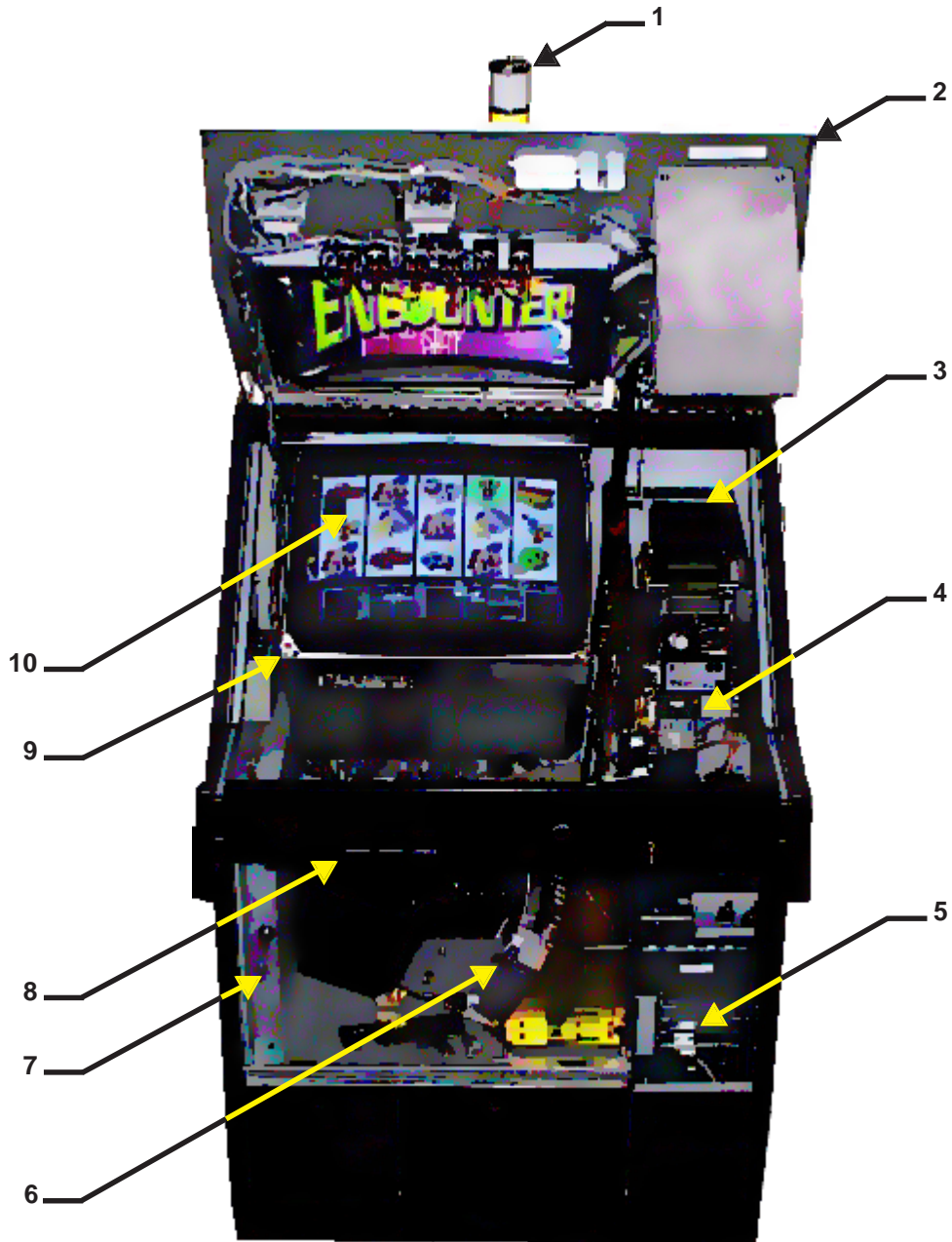
REF	PART #	DESCRIPTION	QTY
1	E-00807	Socket, Amp, 24-18	2
2	E-00120-0265	Socket, Fluorescent Lamp Starter, CE97	2
3	E-00120-0268	Socket, Fluorescent, 4W	4
4	E-00409-0024	Ballast/Terminal Assembly	2
5	E-00411-0009	Starter, Fluorescent, FS-2	2
6	E-00647-0004	Tie Wrap	12
7	E-00804-0002	Connector Housing Cap	2

REF	PART #	DESCRIPTION	QTY
8	NLS-00632-1112	Hex Nut	4
9	P-00150-0292	Insulator, Polycarbonate, CE97	2
10	P-00150-0297-1	Insulator, 4W Socket	4
11	P-09082-0012	Light Assembly Bracket	1
12	R-00111-0008	Grommet, 13/32 ID	2
13	WIP-ES203-1880	PVC, Stranded 18 AWG, White Type Tew	A/R
14	WIP-ES203-1850	PVC, Stranded 18 AWG, Black Type Tew	A/R



EVO™ Slant

Cabinet Assembly



ITEM	PART #	DESCRIPTION	PAGE
1	TWR (SERIES)	Tower Selections	29
2	AS-08740-0005	Deck/Bill Acceptor Hatch Assembly	83
3	E-01100-(SERIES)	JCM WBA Bill Acceptor	15
4	AS-05035-(SERIES)	Coin Acceptor	12
5	AS-06901-0012	Pentium® PC Assembly	77
6	AS-03105-(SERIES)	Asahi Seiko Hopper	9
7	AS-06604-0011	Backplane/IOP Housing Assembly	78
8	AS-04225-0071	Meter Assembly	81
9	AS-03025-0172	Cabinet Power Cable Assembly	76
10	E-00832-(SERIES)	Monitor	82

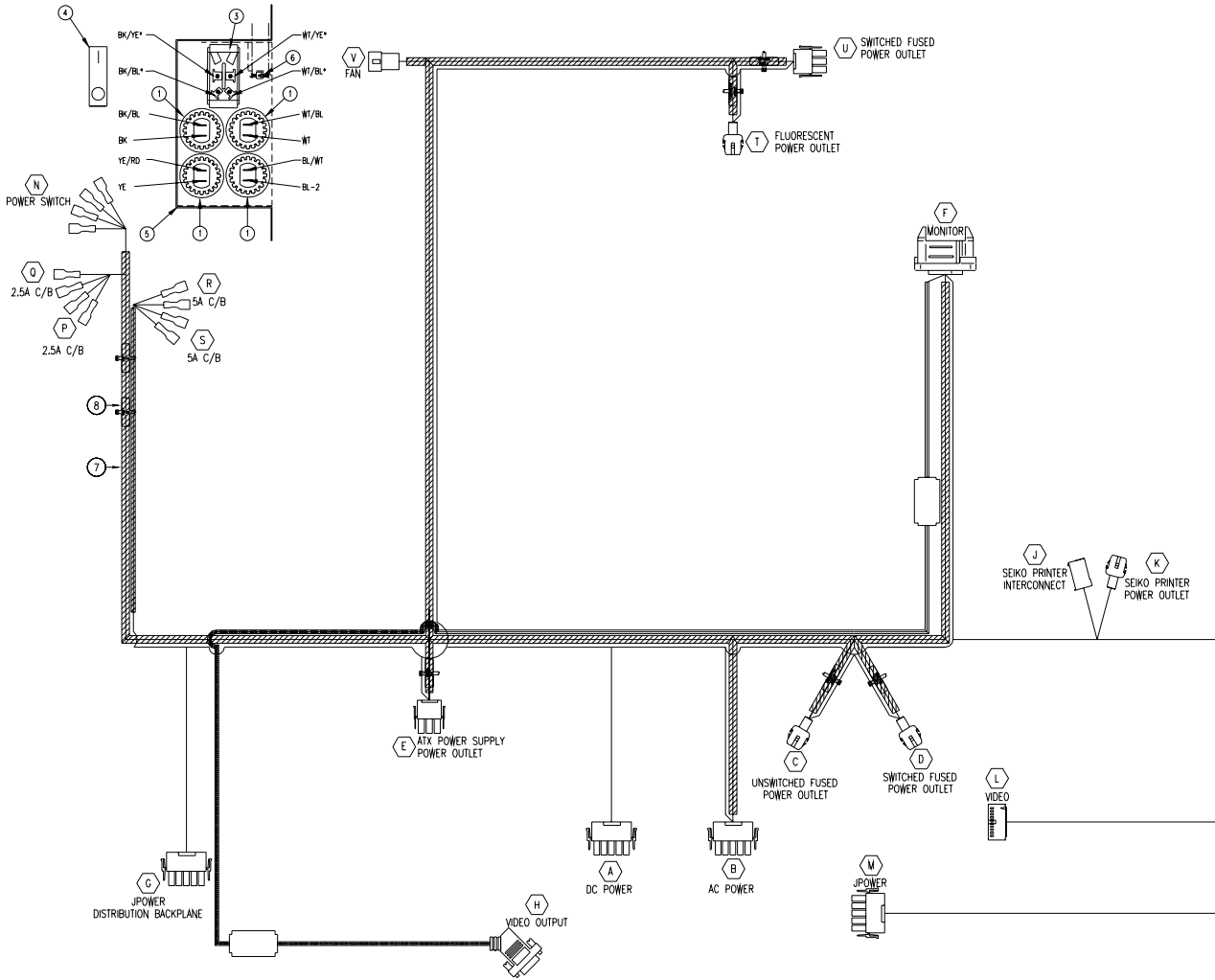
ITEM	PART #	DESCRIPTION	PAGE
Not Shown	E-01030-(SERIES)	Printer	10
	AS-04238-(SERIES)	Power Supply	24
	AS-03268-(SERIES)	Convenience Outlet	28
	E-00126-(SERIES)	Line Cord	27
	AS-06605-(SERIES)	IOP/Tray Assembly	79
	AS-08750-(SERIES)	Cabinet Door Assembly	85
	AS-05201-(SERIES)	Arm Rest	86
	E-00281-(SERIES)	Speaker	80
	E-00832-(SERIES)	Monitor	82

EVO™ Slant

Cabinet Assembly

Cabinet Power Cable Assembly AS-03025-0172

☑ Slant



REF	PART #	DESCRIPTION	QTY
1	E-00948-0016	Circuit Breaker, 5.0 Amp, IP, Thermal	4
2	—	—	—
3	E-00108-0395	Switch, Toggle, Main Power, CE97	1
4	LBL-00274-0001	Label, On/Off, CE97	1
5	P-09319-0696	Bracket, Switch / Fuse	1
6	E-00647-0004	4" Cable Tie	1
7	CBL-30626-0001	Cable, Cabinet Power, Slant	1
8	E-00647-0020	Marker Tie, ID Tag	1



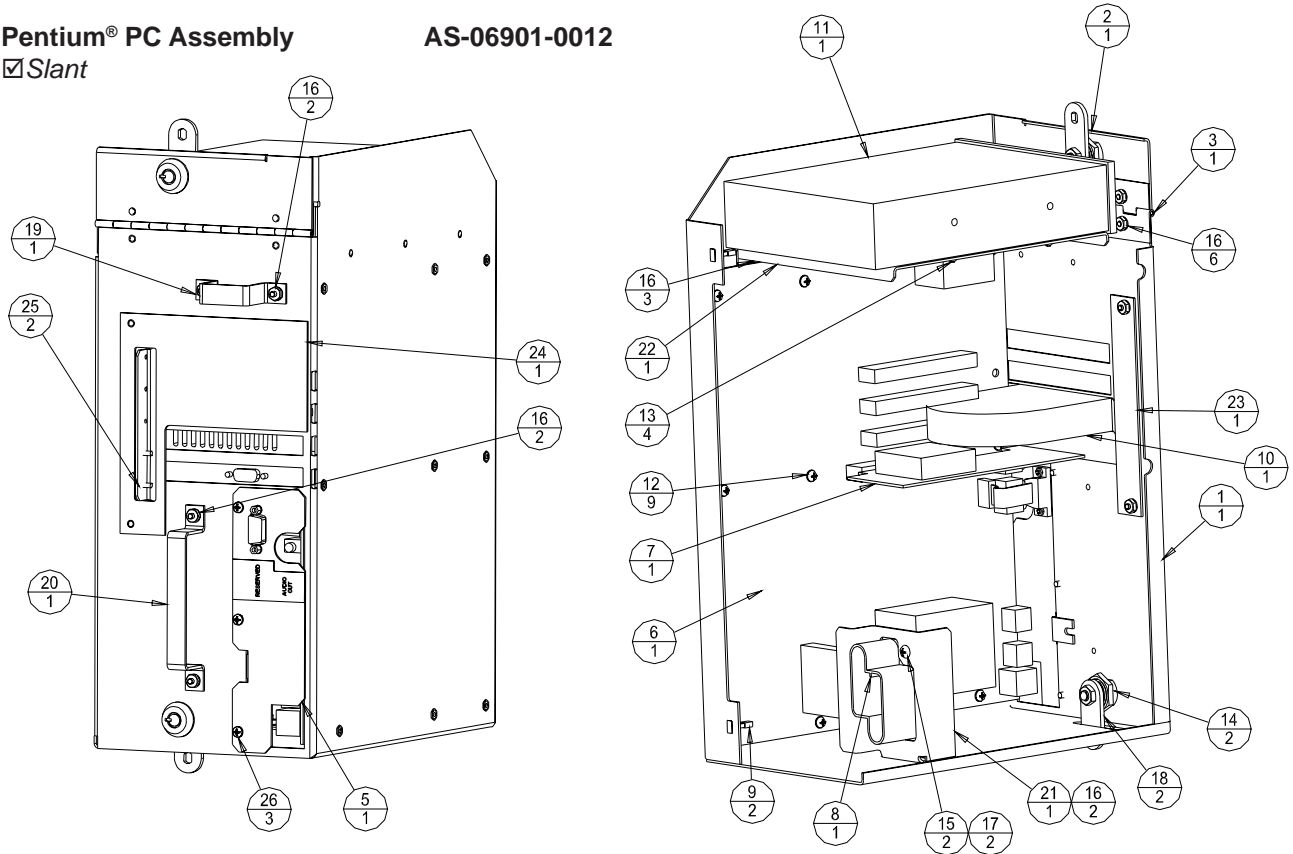
EVO™ Slant

Cabinet Assembly

Pentium® PC Assembly

AS-06901-0012

☑ Slant



REF	PART #	DESCRIPTION	QTY
1	A-06901-0012	PC Tray Assembly	1
2	A-06901-0013	CD Door	1
3	A-06901-0014	CD ROM Door Hinge	1
4	AS-02988-0229	Ribbon Cable Assembly, IDE (Not Shown)	1
5	AS-03025-0171	Cable PC Connector Assembly	1
6	AS-03356-0542	Motherboard Assembly	1
7	AS-03356-0509-1	Video Card	1
8	CBL-30624-0001	MPU Power Cable	1
9	E-00647-0004	Tie Wrap	2
10	E-00694-0024	CPU Fan	1
11	E-01102-0003	DVD/CD/CD ROM Drive	1
12	LSPP-00632-1106	Screw, Mach with Lock Phil Pan Hd	9
13	LSPP-M0350-1204	Screw, Metric Mach with Lock Phil Pan Hd	4

REF	PART #	DESCRIPTION	QTY
14	M-00281-162A	Lock, No Cam, Door/Bill Acceptor	2
15	MSPP-00832-1108	Screw, Mach Phil Pan Hd	2
16	NLS-00632-1112	Hex Nut	15
17	NLS-00832-1112	Hex Nut	2
18	P-00758-0094	Cam, Bill Acceptor Stacker, M0281-132	2
19	P-06264-0332	Handle, Card Rack Door	1
20	P-06264-0603	Handle, PC Tray	1
21	P-06901-0063	Cable Mounting Bracket	1
22	P-06901-0064	CD Bracket	1
23	P-06901-0065	I/O Cover Plate, Inner	1
24	P-06901-0067	I/O Cover Plate	1
25	TFPP-00440-1104	Screw, 8-40 x 1/4 Thd Form Phil Pan Hd	2
26	TFPP-00632-1104	Screw, 6-32 x 1/4 Thd Form Phil Pan Hd	3

EVO™ Slant

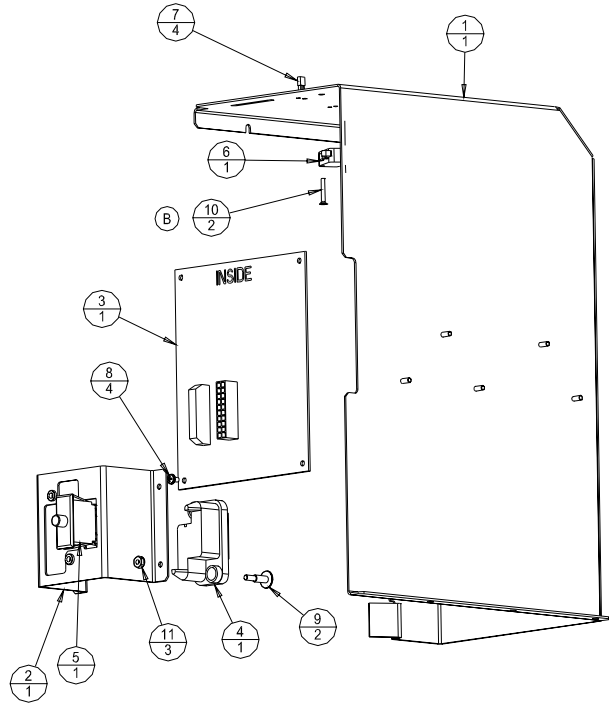
Cabinet Assembly

PC Housing Assembly

AS-06801-0003

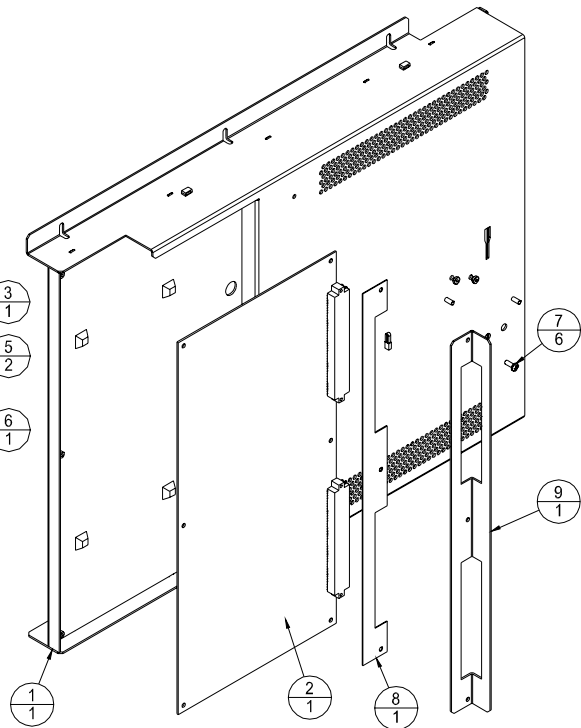
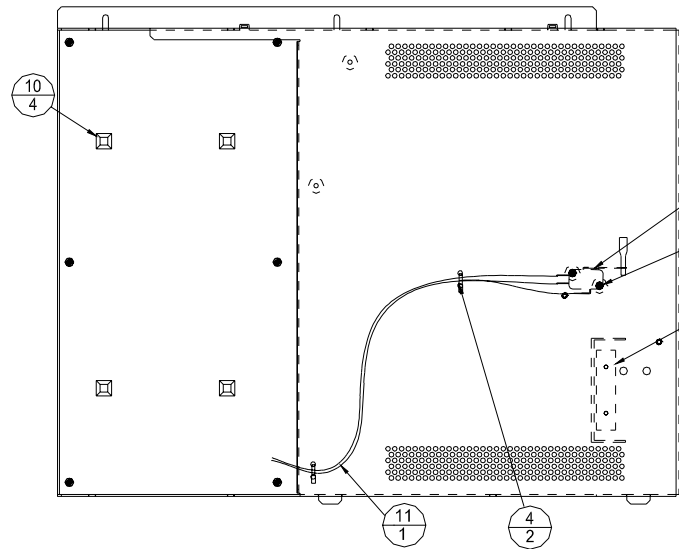
☑ Slant

REF	PART #	DESCRIPTION	QTY
1	A-06801-0010	PC Housing	1
2	A-06801-0011	Cable Mounting Bracket	1
3	AS-03356-0513	PC Housing Board Assembly	1
4	CBL-30625-0001	Cable	1
5	E-00108-0385	Door Push Switch	1
6	E-00108-0411	Snap Action Switch. E21-90N	1
7	E-00647-0004	Tie Wrap	4
8	LSPP-00632-1104	Screw, Mach with Lock Phil Pan Hd	4
9	M-03063-001A	Screw, Shoulder Amp Part # 2082111	2
10	MSPK-00440-1112	Screw, Mach Phil Flat Hd, 100 DEG	2
11	NLS-00632-1112	Hex Nut	3



Backplane/IOP Housing Assembly AS-06604-0011

☑ Slant



REF	PART #	DESCRIPTION	QTY
1	A-06803-0005	IOP Housing Assembly	1
2	AS-03356-0560	IOP Backplane Printed Circuit Board	1
3	E-00108-0387	Bill Acceptor Door Switch	1
4	E-00647-0004	Tie Wrap	2
5	LSPP-00440-1110	Screw, Mach with Lock Phil Pan Hd	2
6	M-03001-0001	Grounding Strip	1

REF	PART #	DESCRIPTION	QTY
7	MSPK-00632-1106	Screw, Mach Phil Pan Hd	6
8	P-00150-0308	Backplane Insulator	1
9	P-09322-0369	Backplane Support Bracket	1
10	R-00409	Bumper	4
11	CBL-20319-0002	IOP Door Switch Cable	1



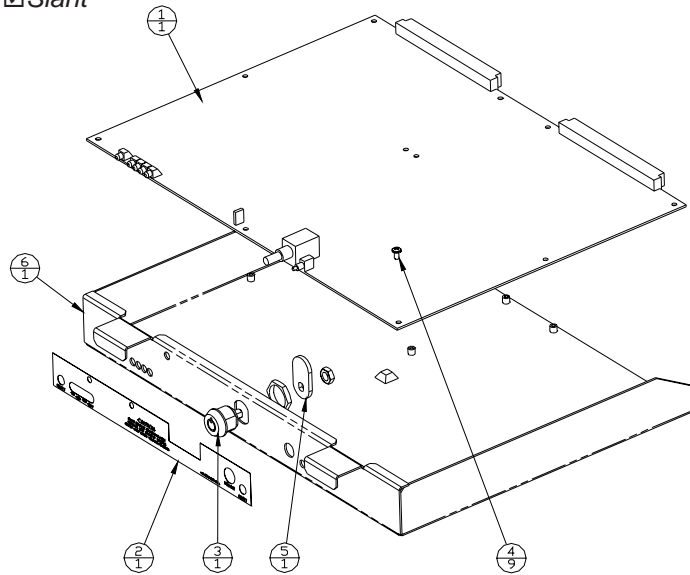
EVO™ Slant

Cabinet Assembly

IOP/Tray Assembly

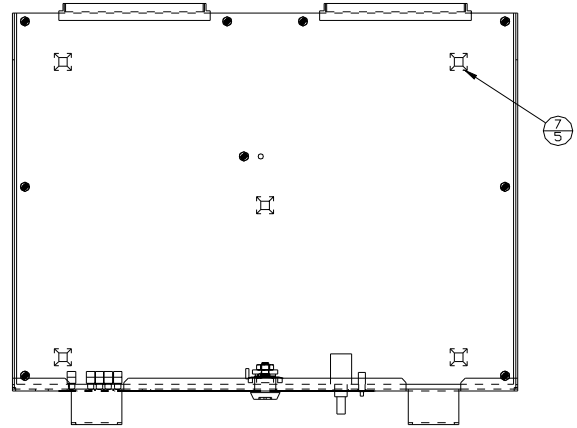
☑ Slant

AS-06605-(SERIES)



AVAILABILITY:

PART #	DESCRIPTION
AS-06605-1006	IOP/TRAY ASSEMBLY (1 LOCK)
AS-06605-1010	IOP/TRAY ASSEMBLY, A/A (1 LOCK)



REF	PART #	DESCRIPTION	QTY	PART #
1	AS-03356-0507	IOP Board Assembly	1	-1006
	AS-03356-0625	IOP Board Assembly	1	-1010
2	LBL-00272-0002	IOP Tray Label	1	-1006 -1010
3	M-00281-162A	Lock, No Cam, Door/Bill Acceptor	1	-1006
				-1010
4	MSPP-00632-1104	Screw, Mach Phil Pan Hd	9	-1006
				-1010

REF	PART #	DESCRIPTION	QTY	PART #
5	P-00758-0168	Cam, MPU Tray	1	-1006
				-1010
6	P-06802-0007	IOP Tray	1	-1006
				-1010
7	R-00409	Bumper	5	-1006
				-1010

AVAILABILITY:

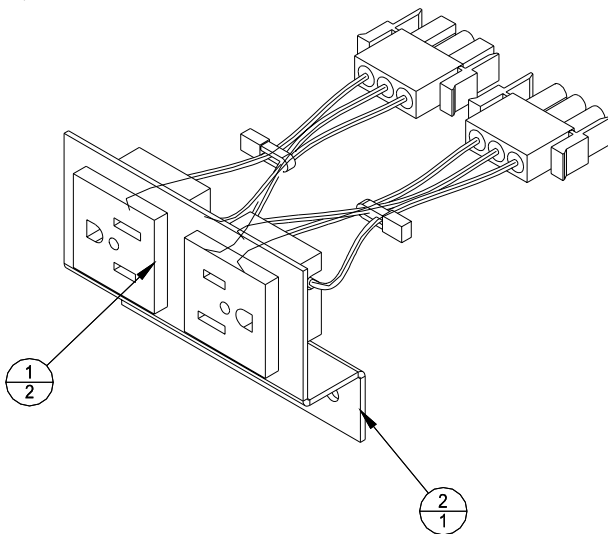
PART #	DESCRIPTION
AS-03268-0003	Convenience Outlet (Italy)
AS-03268-0008	Convenience Outlet (United Kingdom)

Convenience Outlet

☑ Slant

AS-03268-(SERIES)

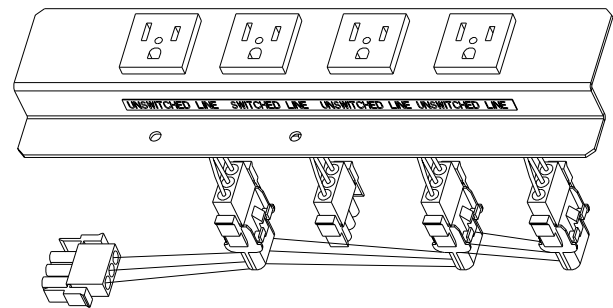
Convenience Outlet, Dual, 120V AS-03268-0007



Quad Outlet, Common

AS-03268-0011

☑ Slant



REF	PART #	DESCRIPTION	QTY
1	E-00664-0313	Convenience Outlet Assembly/Plug, Domestic	2
2	P-06442-0612	Bracket, Convenience Outlet, Dual	1

REF	PART #	DESCRIPTION	QTY
1	CBL-30532-0001	Cable Assembly, 3-Way	1
2	E-00664-0313	Convenience Outlet Assembly/Plug, Domestic	4
3	LBL-00282-0002	Label, Switched Line	1
4	P-06442-0741	Bracket, Convertable Quadruple Outlet Extension	1



See page 3-28 for additional convenience outlet selections.

EVO™ Slant

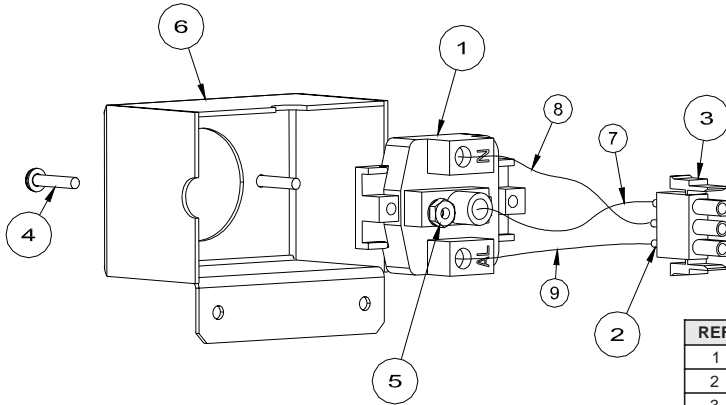
Cabinet Assembly

Convenience Outlet (Cont.) AS-03268-(SERIES)

Slant

Convenience Outlet, Argentina/Australia
AS-03268-0013

Slant



WIRING TABLE		
COLOR	OUTLET MARK	CONNECTOR MARK
GREEN/YELLOW	E	1
BLACK	AL	3
WHITE	N	2

REF	PART #	DESCRIPTION	QTY
1	E-00110-0025	Convenience Outlet	1
2	E-00807-0006	Contact Pin, Amp 24-18	3
3	E-00808-0003	Connector Housing Plug	1
4	LSPP-00632-1112	Screw, Mach with Lock Phil Pan Hd	2
5	NLS-00632-1112	Hex Nut	2
6	P-06442-0743	Housing, Convenience Outlet	1
7	WIP-ES-137-1843	PVC, Stranded, 18 AWG Green/Yellow Type Tew	1
8	WIP-ES137-1850	PVC, 1/64 Strand, 18 AWG, White	1
9	WIP-ES137-1880	PVC, 1/64 Strand, 18 AWG, Black	

Speaker

Slant

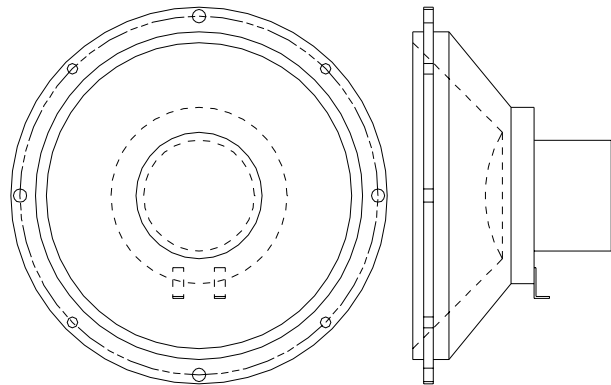
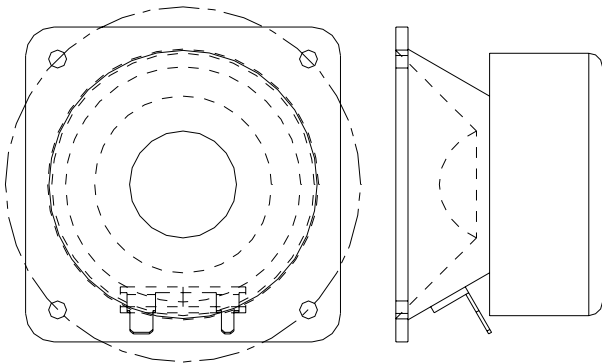
E-00281-(SERIES)

Speaker, 2.75", 4 OHM, 10W
E-00281-0036

Slant

Speaker, 6.00", 8 OHM, 50W
E-00281-0037

Slant





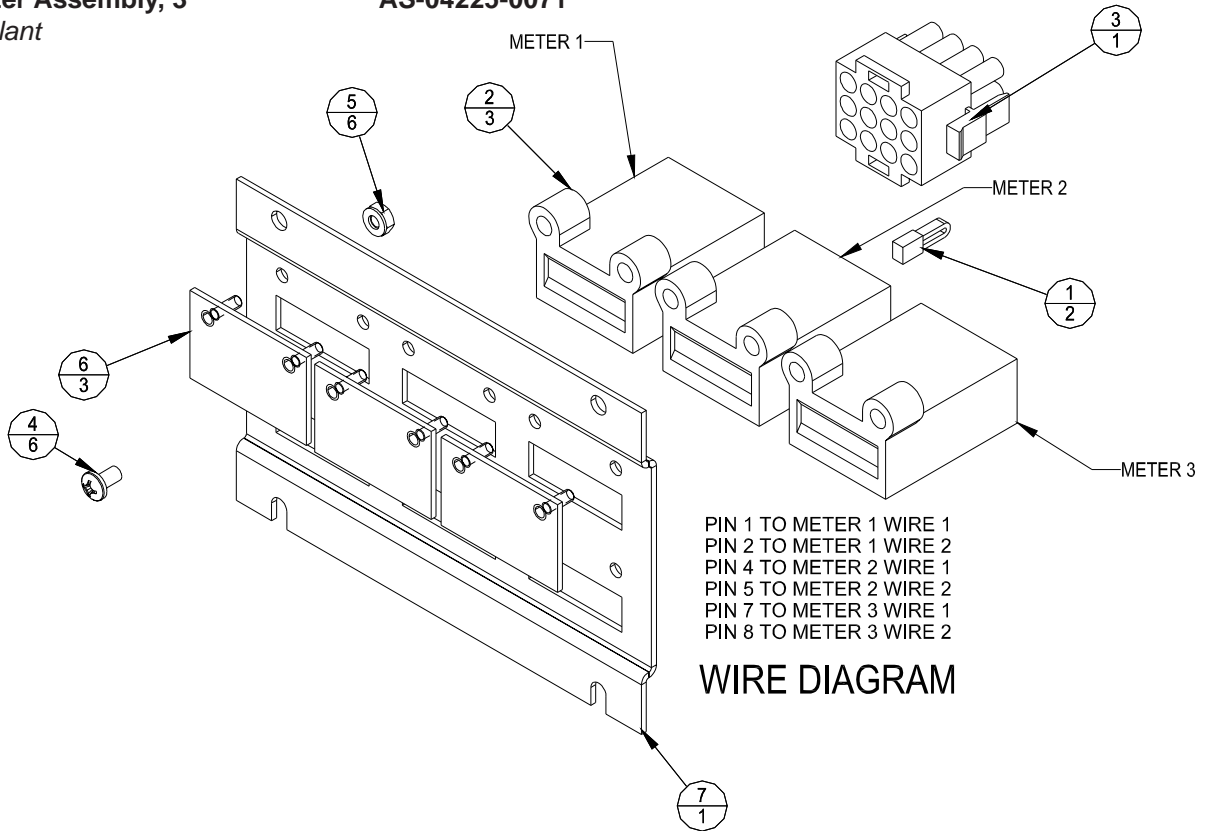
EVO™ Slant

Cabinet Assembly

Meter Assembly, 3

☑ Slant

AS-04225-0071



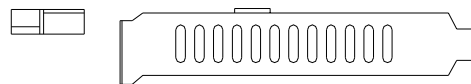
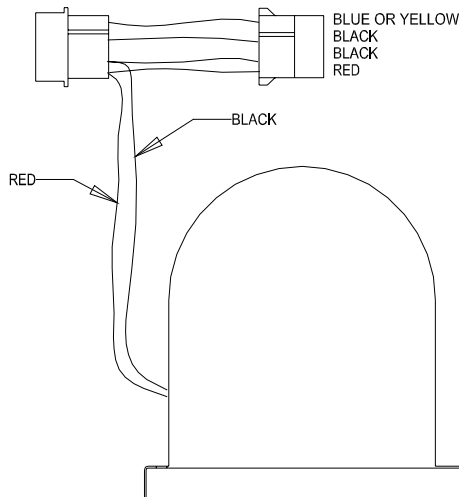
REF	PART #	DESCRIPTION	QTY
1	E-00647-0004	Tie Wrap	2
2	E-00664-0491	7-Digit Meter Assembly with 8-Inch Lead	3
3	E-00808-0012	Connector Housing Plug	1
4	LSPM-M0350-1104	Screw, Metric Mach with Lock Phil Pan Hd	6

REF	PART #	DESCRIPTION	QTY
5	NLS-00440-1112	Hex Nut	6
6	P-04474-0001	Guard, Meter, Black	3
7	P-09319-0236	Meter Mounting Bracket	1

PC Exhaust Fan

☑ Slant

E-00694-0024



SPECS:
VOLTAGE: 12 VDC
CURRENT: .14 AMP
AIRFLOW: 22 CFM MINIMUM



See page 3-33 for additional fan selections.

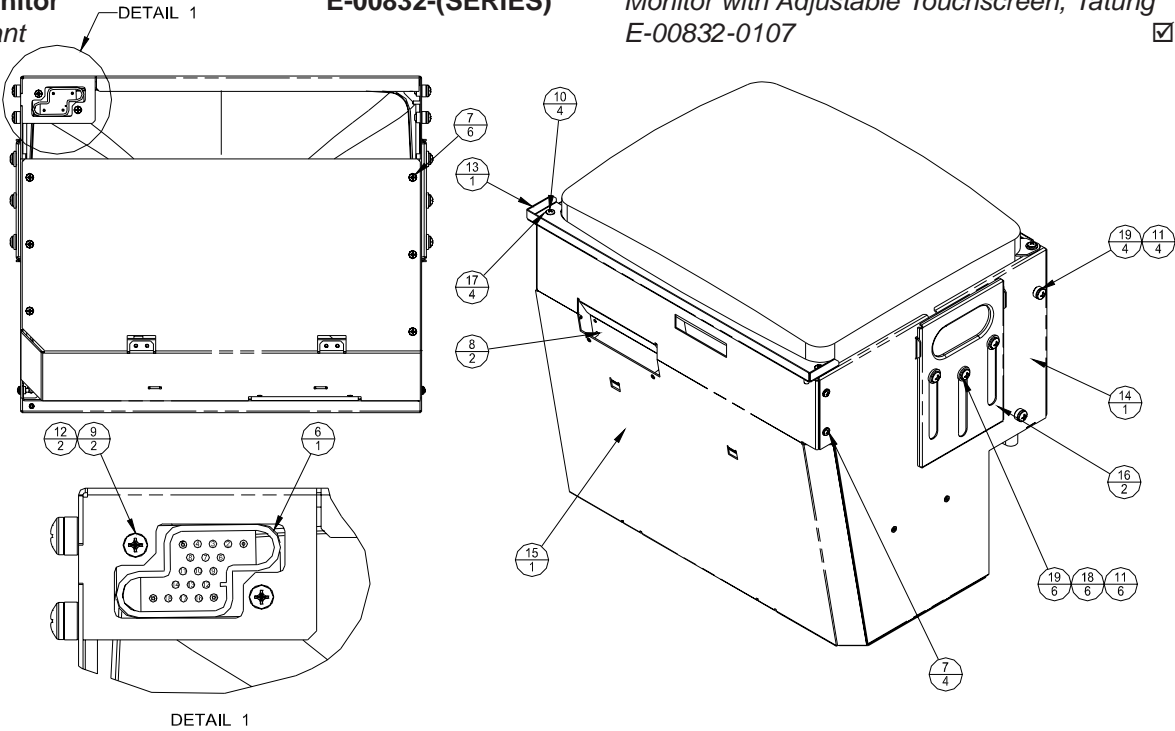
EVO™ Slant

Cabinet Assembly

|| Monitor
 Slant

E-00832-(SERIES)

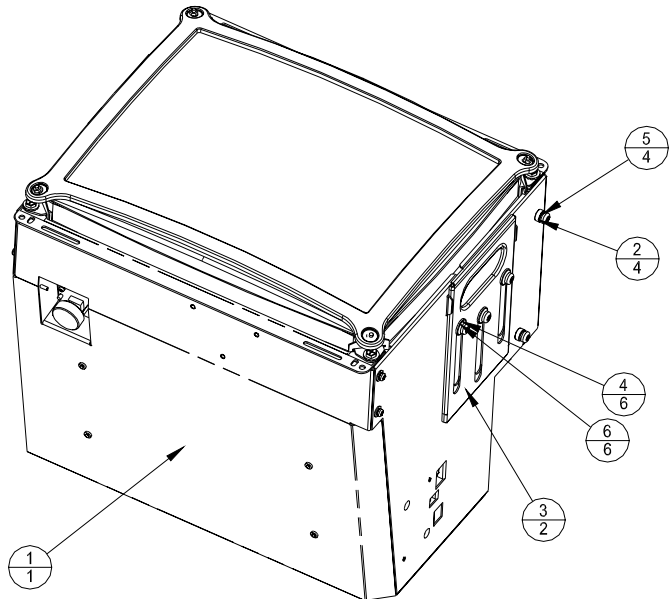
Monitor with Adjustable Touchscreen, Tatung
 E-00832-0107 Slant



REF	PART #	DESCRIPTION	QTY
1	E-00832-0099CRT	19-Inch CRT	1
2	E-00832-0099PCB		1
3	E-00832-0099PCB-MTG		1
4	E-00832-0101CTRL		1
5	E-00832-0103TSC		1
6	E-01054-0019	Receptacle, 19-Pin Drawer	1
7	LSPP-00832-1106	Screw, Mach Phil Pan Hd	10
8	MSPP-00440-1106	Screw, Mach Phil Pan Hd	2
9	MSPP-00832-1108	Screw, Mach Phil Pan Hd	2
10	MSPP-01032-1106	Screw, Mach Phil Pan Hd	4

REF	PART #	DESCRIPTION	QTY
11	MSPP-25020-1108	Screw, Mach Phil Pan Hd	10
12	NLS-00832-1112	Hex Nut	2
13	P-04641-0004	Rail, Monitor Drain	1
14	P-09400-0029	Enclosure, Monitor	1
15	P-09400-0030	Base, Enclosure	1
16	P-09400-0031	Handle, Monitor Assembly	2
17	PW-00010-0012	Washer, Plain	4
18	TW-00250-1012	Washer, Plain	6
19	S-00231-1050	Spacer	10

Monitor with Touchscreen, ELO **E-00832-0111**
 Slant



REF	PART #	DESCRIPTION	QTY
1	BALLY-19-SLANT-ASM-3	ELO Monitor Assembly with Housing	1
2	MSPT-01032-1108	Screw, Mach Truss Hd	4
3	P-09400-0031	Handle, Monitor Assembly	2
4	PW-00250-1012	Washer, Plain	6
5	S-00231-1009	.375 OD x .190 ID x .25 Large Spacer	4
6	S-00231-1050	Spacer	6

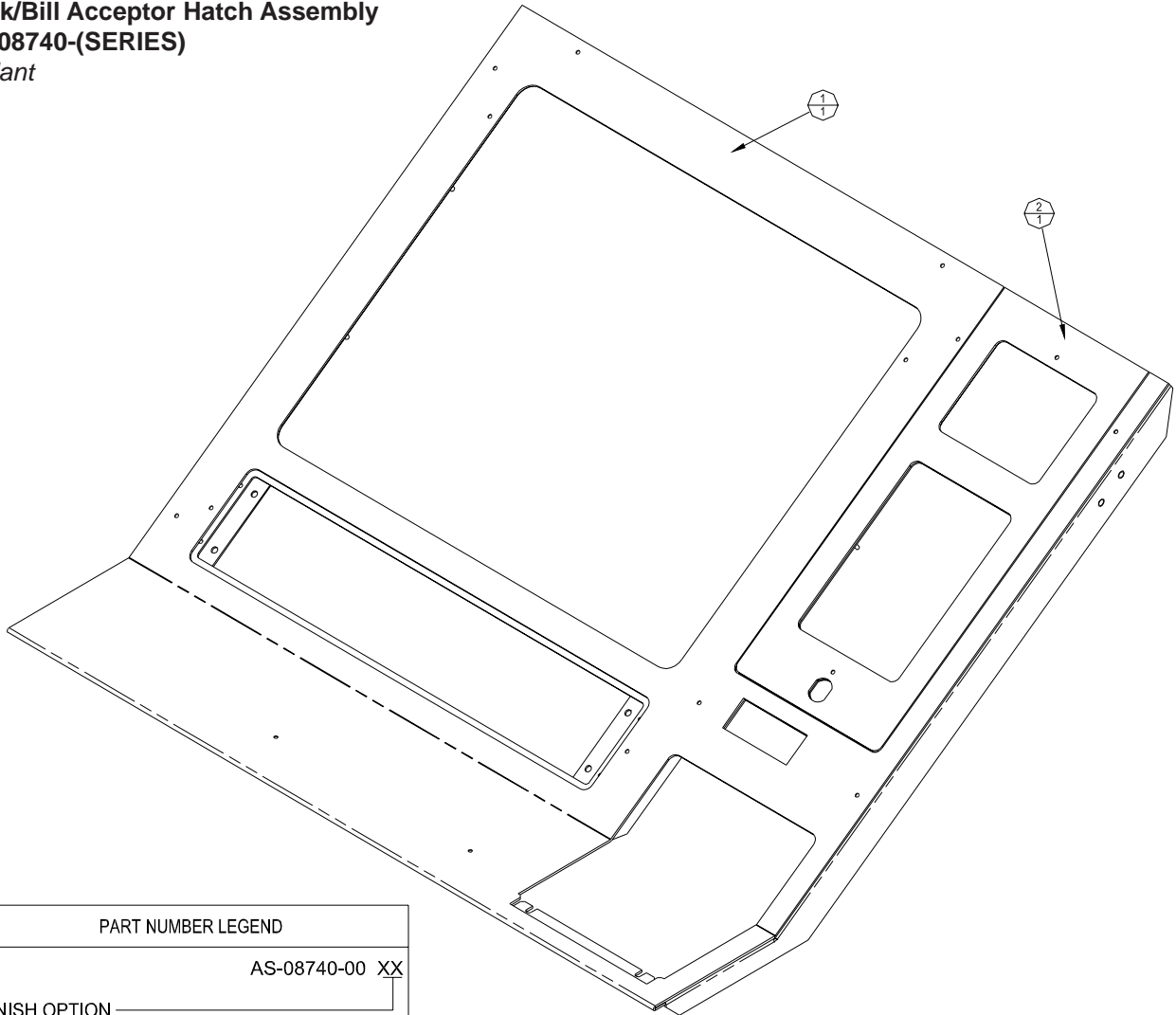


EVO™ Slant

Deck Assembly

Deck/Bill Acceptor Hatch Assembly AS-08740-(SERIES)

Slant



PART NUMBER LEGEND	
	AS-08740-00 XX
FINISH OPTION	
P1 THRU P5 OR P7	POLISHED & PLATED ASSY (PER DRAWING, MET-SPEC-0002)
B1 THRU B5	BRUSHED & PLATED ASSY (PER DRAWING, MET-SPEC-0002 #4 FINISH)
01 THRU 99	POWDER COAT PER BALLY SPEC PC-SPEC-0001

AVAILABILITY:

PART #	DESCRIPTION
AS-08740-0005	Deck/Bill Acceptor Hatch, Gold Vein
AS-08740-0006	Deck/Bill Acceptor Hatch, Sun Gold
AS-08740-0013	Deck/Bill Acceptor Hatch, Black Gold
AS-08740-0014	Deck/Bill Acceptor Hatch, Penny Vein
AS-08740-0073	Deck/Bill Acceptor Hatch, Copper Vein
AS-08740-0079	Deck/Bill Acceptor Hatch, Silver Vein
AS-08740-00B1	Deck/Bill Acceptor Hatch, Brushed Chrome
AS-08740-00P1	Deck/Bill Acceptor Hatch, Polished Chrome
AS-08740-00P4	Deck/Bill Acceptor Hatch, Polished Gold

REF	PART #	DESCRIPTION	QTY
1	A-08740-0001	Deck Weld Assembly	1
2	A-08740-0002	Bill Acceptor Hatch Assembly	1

EVO™ Slant

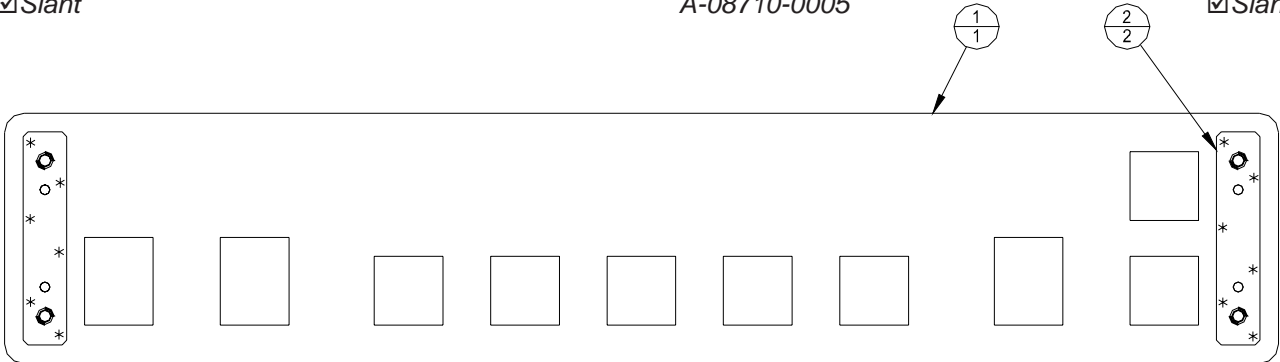
Deck Assembly

Button Deck/Player Panel
 Slant

A-08710-(SERIES)

10 Button Deck/Player Panel
A-08710-0005

Slant

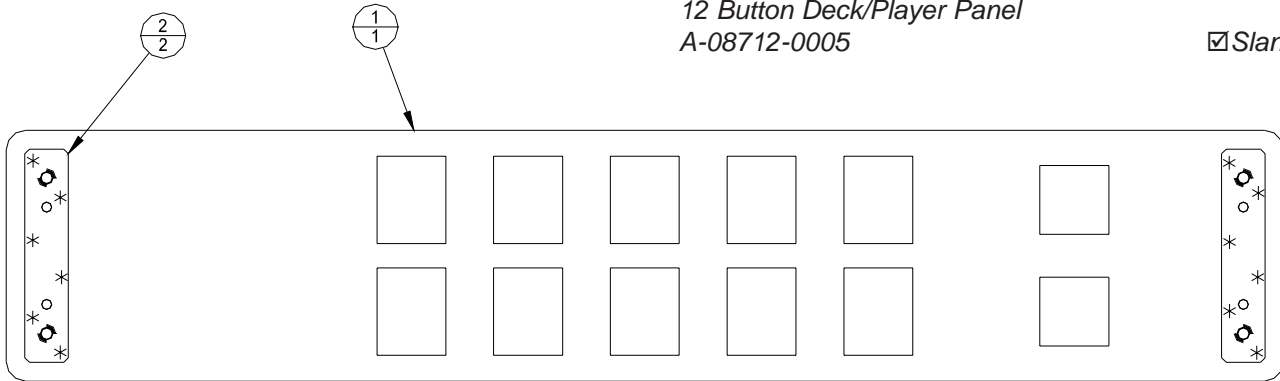


REF	PART #	DESCRIPTION	QTY
1	A-08710-SERIES	10-Button Deck Plate	1
2	P-08710-0001	Deck Plate Mounting Bracket	2

PART NUMBER LEGEND	
	A-08710-00 XX
FINISH OPTION _____	
P1 THRU P5 OR P7 POLISHED & PLATED ASSY (PER DRAWING, MET-SPEC-0002)	
B1 THRU B5 BRUSHED & PLATED ASSY (PER DRAWING, MET-SPEC-0002 #4 FINISH)	
01 THRU 99 POWDER COAT PER BALLY SPEC PC-SPEC-0001	

12 Button Deck/Player Panel
A-08712-0005

Slant



REF	PART #	DESCRIPTION	QTY
2	A-08712-SERIES	12-Button Deck Plate	1
1	P-08710-0001	Deck Plate Mounting Bracket	2

PART NUMBER LEGEND	
	A-08712-00 XX
FINISH OPTION _____	
P1 THRU P5 OR P7 POLISHED & PLATED ASSY (PER DRAWING, MET-SPEC-0002)	
B1 THRU B5 BRUSHED & PLATED ASSY (PER DRAWING, MET-SPEC-0002 #4 FINISH)	
01 THRU 99 POWDER COAT PER BALLY SPEC PC-SPEC-0001	



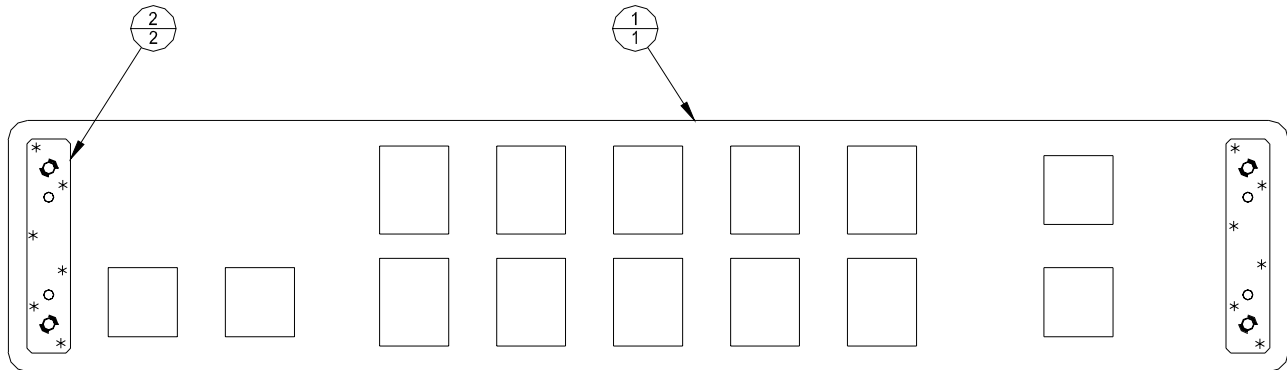
EVO™ Slant

Deck Assembly

Button Deck/Player Panel (Cont.) A-07810-(SERIES)
 Slant

14 Button Deck/Player Panel
A-08714-(SERIES)

Slant



AVAILABILITY:

PART #	DESCRIPTION
A-08714-0005	14-Button Plate, Deck Weld
A-08714-0006	14-Button Plate, Deck Weld
A-08714-0013	14-Button Plate, Deck Weld
A-08714-0014	14-Button Plate, Deck Weld
A-08714-0073	14-Button Plate, Deck Weld
A-08714-0079	14-Button Plate, Deck Weld
A-08714-00B1	14-Button Plate, Deck Weld
A-08714-00P1	14-Button Plate, Deck Weld
A-08714-00P4	14-Button Plate, Deck Weld
A-08716-0005	16-Button Plate, Deck Weld (Not Shown)

PART NUMBER LEGEND

A-08714-00 XX
 FINISH OPTION _____
 P1 THRU P5
 POLISHED & PLATED ASSY
 (PER DRAWING, MET-SPEC-0002)
 B1 THRU B5
 BRUSHED & PLATED ASSY
 (PER DRAWING, MET-SPEC-0002 #4 FINISH)
 O1 THRU 99
 POWDER COAT PER BALLY SPEC PC-SPEC-0001

REF	PART #	DESCRIPTION	QTY
2	A-08714-SERIES	14-Button Deck Plate	1
1	P-08710-0001	Deck Plate Mounting Bracket	2

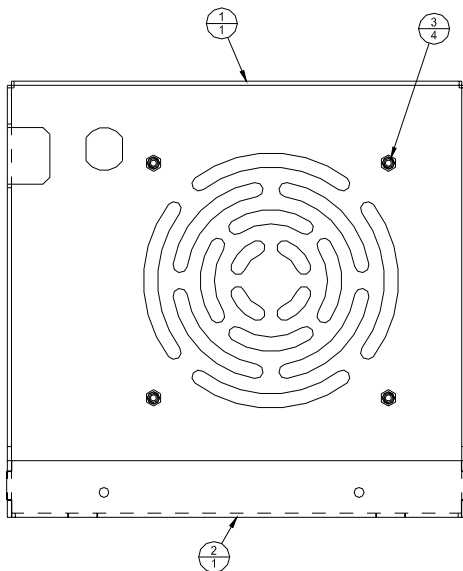
Cabinet Door Assembly A-08750-(SERIES)
 Slant

Lower Left Cabinet Door
 Slant

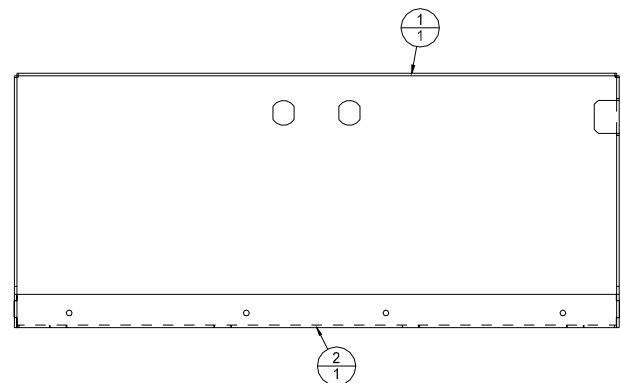
A-08750-0002

Lower Right Cabinet Door
 Slant

A-08750-0003



REF	PART #	DESCRIPTION	QTY
1	A-08750-0002	Lower Left Cabinet Door	1
2	A-08750-0002-1	Door Hinge Mounting Bracket	1
3	BSO-632-12	Pen Standoff	4



REF	PART #	DESCRIPTION	QTY
1	A-08750-0003	Lower Right Cabinet Door	1
2	A-08750-0003-1	Door Hinge Mounting Bracket	1

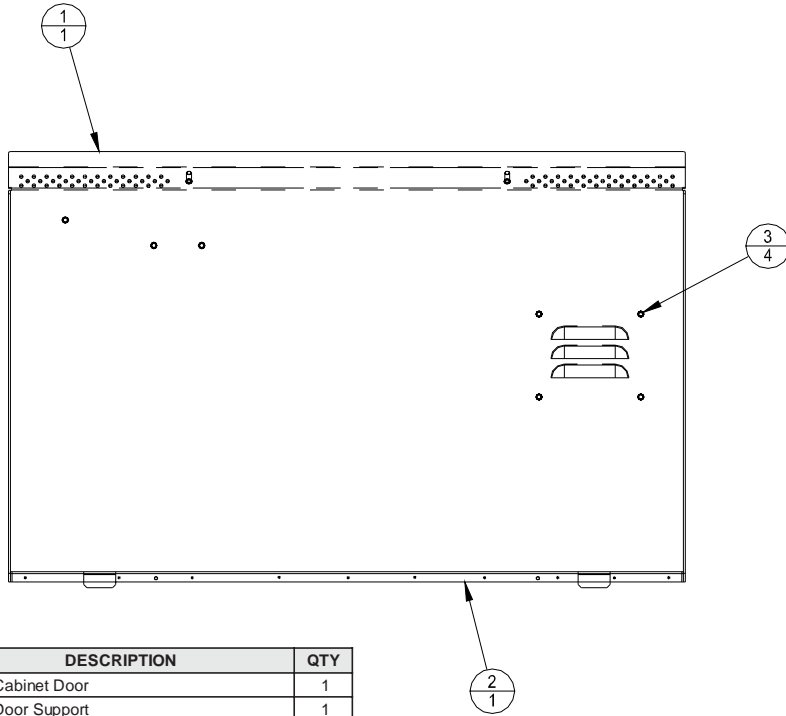
EVO™ Slant

Deck Assembly

Cabinet Door Assembly (Cont.) A-08750-(SERIES)
 Slant

Front Cabinet Door
 Slant

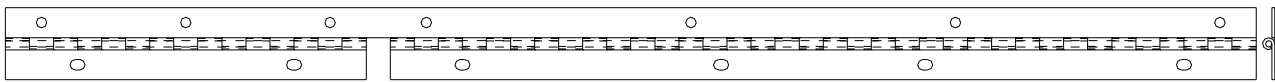
A-08750-0004



REF	PART #	DESCRIPTION	QTY
1	A-08750-0004	Front Cabinet Door	1
2	A-08750-0004-1	Front Door Support	1
3	FH-1032-8	Flush Head Pem Stud	9

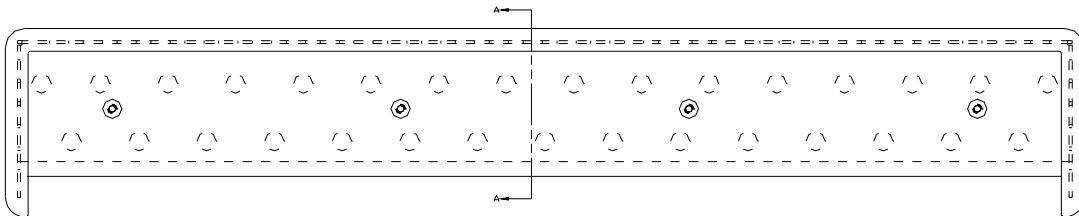
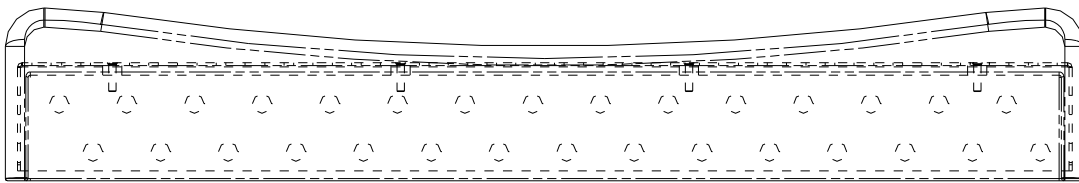
Door Hinge
 Slant

A-08750-0005



Arm Rest
 Slant

A-05201-(SERIES)





EVO™ Slant

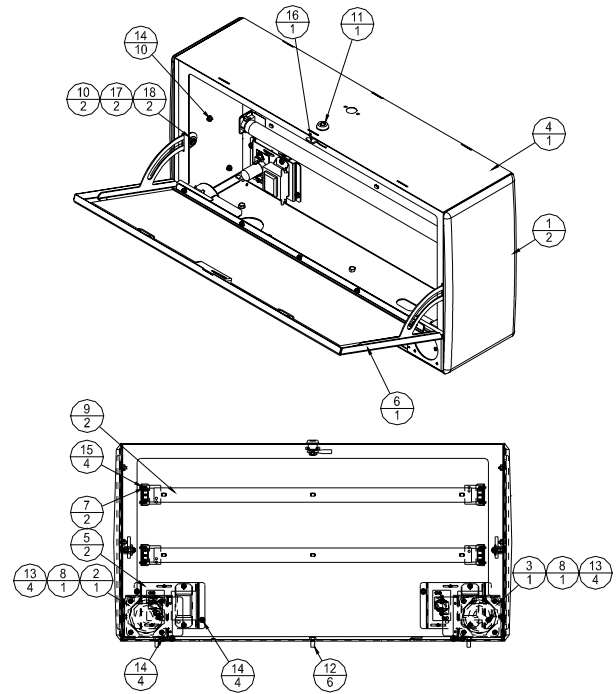
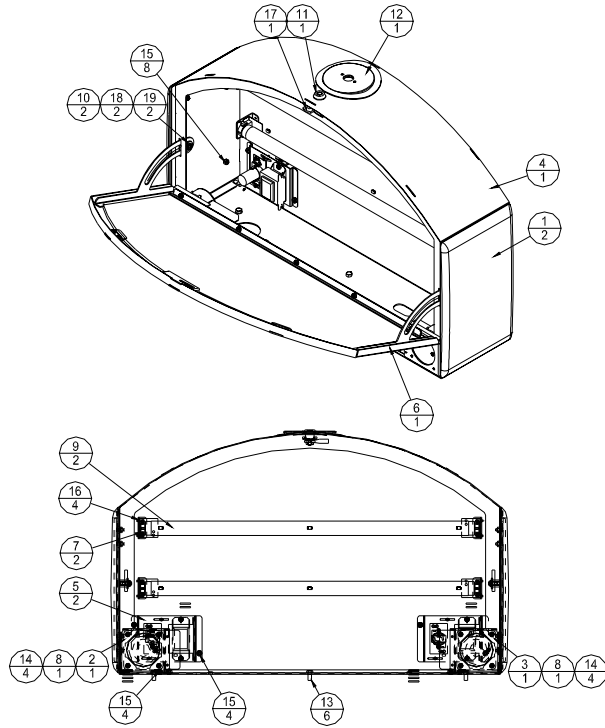
Top Box Selections

Oval Top
 Slant

AS-04222-0434

Extended Top
 Slant

AS-04222-0435



REF	PART #	DESCRIPTION	QTY
1	A-05201-0006	Side Trim, Oval Top (Ref)	2
2	A-07239-0001	Speaker Mounting Assembly, Left	1
3	A-07239-0002	Speaker Mounting Assembly, Right	1
4	A-X7240-SERIES	Cabinet Weld Assembly, Oval Top (Ref)	1
5	AS-03335-0404	Starter/Ballast Assembly, 120V, 60Hz (Ref)	2
6	AS-07241-SERIES	Door Assembly, Oval Top (Ref)	1
7	CBL-30643-0001	Top Box Light Cable	2
8	E-00281-0036	Speaker, 2.75-Inch, 4 OHM, 10W	2
9	E-00412-0019	Lamp, Fluorescent, F28T8/CW/K24	2
10	LSPP-01032-1108	Screw, Mach with Lock Phil Pan Hd	2
11	M-00281-162A	Lock, No Cam, Door/Bill Acceptor	1
12	M-03097-0001	Base, Tower Wide	1
13	MSOS-25020-1108	Screw, 1/4 x 1/2 Mach, Serrated Hex Hd	6
14	NLS-00632-1112	Hex Nut	8
15	NLS-00832-1112	Hex Nut	16
16	P-00150-0290-1	Insulator, Part # P-00150-0290	4
17	P-00758-0201	Lock Cam, Top Box	1
18	PW-00010-0012	Washer, Plain	2
19	S-00231-1051	Bushing, Door Guide	2

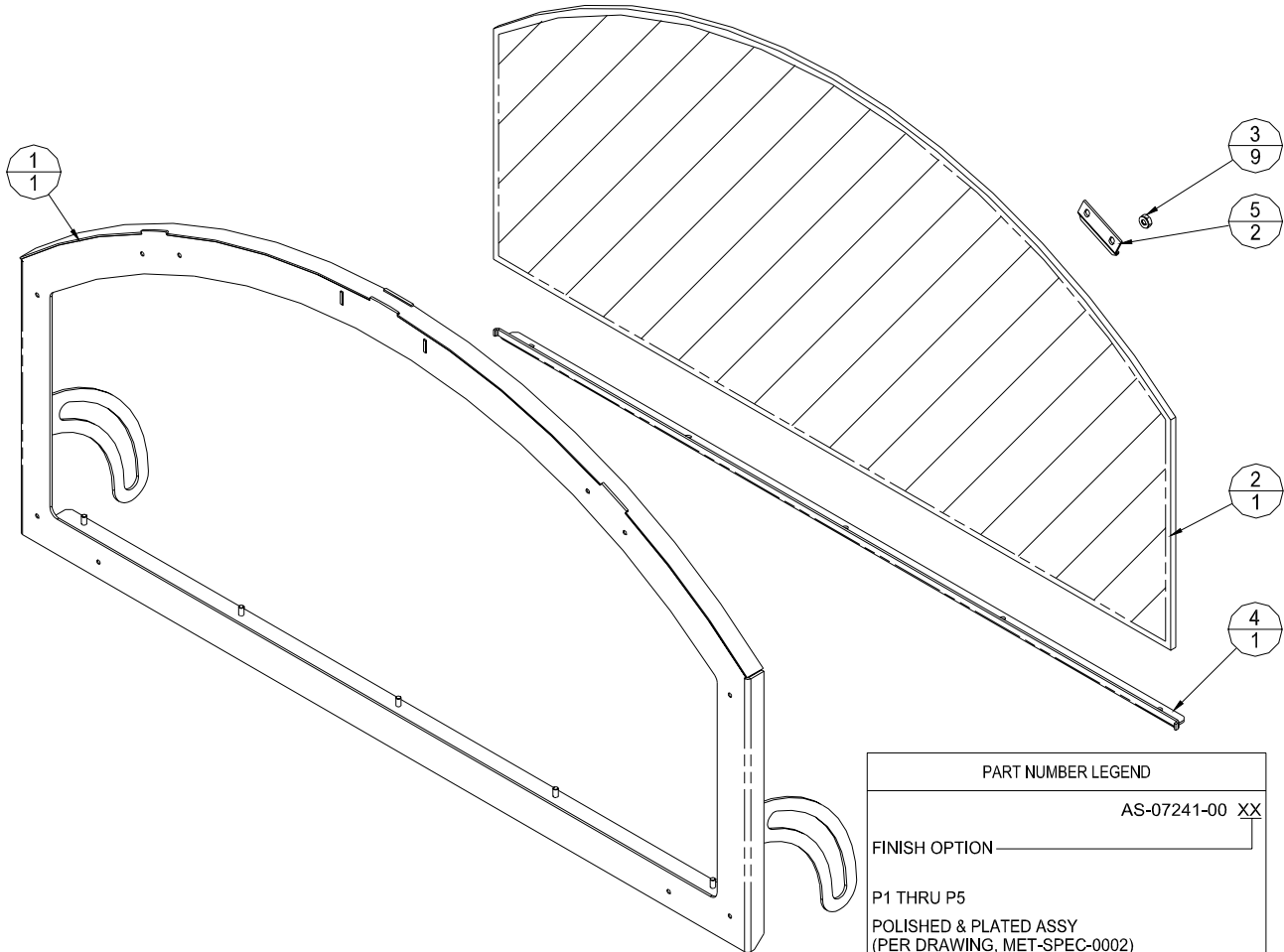
REF	PART #	DESCRIPTION	QTY
1	A-05201-0007	Side Trim, Extended Top (Ref)	2
2	A-07239-0001	Speaker Mounting Assembly, Left	1
3	A-07239-0002	Speaker Mounting Assembly, Right	1
4	A-X7242-SERIES	Cabinet Weld Assembly, Extended Top (Ref)	1
5	AS-03335-0404	Starter/Ballast Assembly, 120V, 60Hz (Ref)	2
6	AS-07243-SERIES	Door Assembly, Extended Top (Ref)	1
7	CBL-30643-0001	Top Box Light Cable	2
8	E-00281-0036	Speaker, 2.75-Inch, 4 OHM, 10W	2
9	E-00412-0019	Lamp, Fluorescent, F28T8/CW/K24	2
10	LSPP-01032-1108	Screw, Mach with Lock Phil Pan Hd	2
11	M-00281-162A	Lock, No Cam, Door/Bill Acceptor	1
12	MSOS-25020-1108	Screw, 1/4 x 1/2 Mach, Serrated Hex Hd	6
13	NLS-00632-1112	Hex Nut	8
14	NLS-00832-1112	Hex Nut	18
15	P-00150-0290-1	Insulator, Part # P-00150-0290	4
16	P-00758-0201	Lock Cam, Top Box	1
17	PW-00010-0012	Washer, Plain	2
18	S-00231-1051	Bushing, Door Guide	2

EVO™ Slant

Top Box Selections

| Top Box Door, Oval
 Slant

AS-07241-(SERIES)



AVAILABILITY:

PART #	DESCRIPTION
AS-07241-0005	Top Box Door Assembly, Oval
AS-07241-0006	Top Box Door Assembly, Oval
AS-07241-0013	Top Box Door Assembly, Oval
AS-07241-0014	Top Box Door Assembly, Oval
AS-07241-00P1	Top Box Door Assembly, Oval

PART NUMBER LEGEND	
	AS-07241-00 XX
FINISH OPTION	
P1 THRU P5	POLISHED & PLATED ASSY (PER DRAWING, MET-SPEC-0002)
B1 THRU B5	BRUSHED & PLATED ASSY (PER DRAWING, MET-SPEC-0002 #4 FINISH)
01 THRU 99	POWDER COAT PER BALLY SPEC PC-SPEC-0001

REF	PART #	DESCRIPTION	QTY
1	A-07241-SERIES	Door Weld Assembly, Oval Top	1
2	G-R0767	Door Glass, Oval Top	1
3	NLS-00632-1112	Hex Nut	9

REF	PART #	DESCRIPTION	QTY
4	P-07241-0008	Glass Mounting Bracket	1
5	P-07241-0009	Glass Mounting Clamp	2
6	R-00553-0011	Gasket, 1/8 x 1/4 x 2, 2-Sided	2

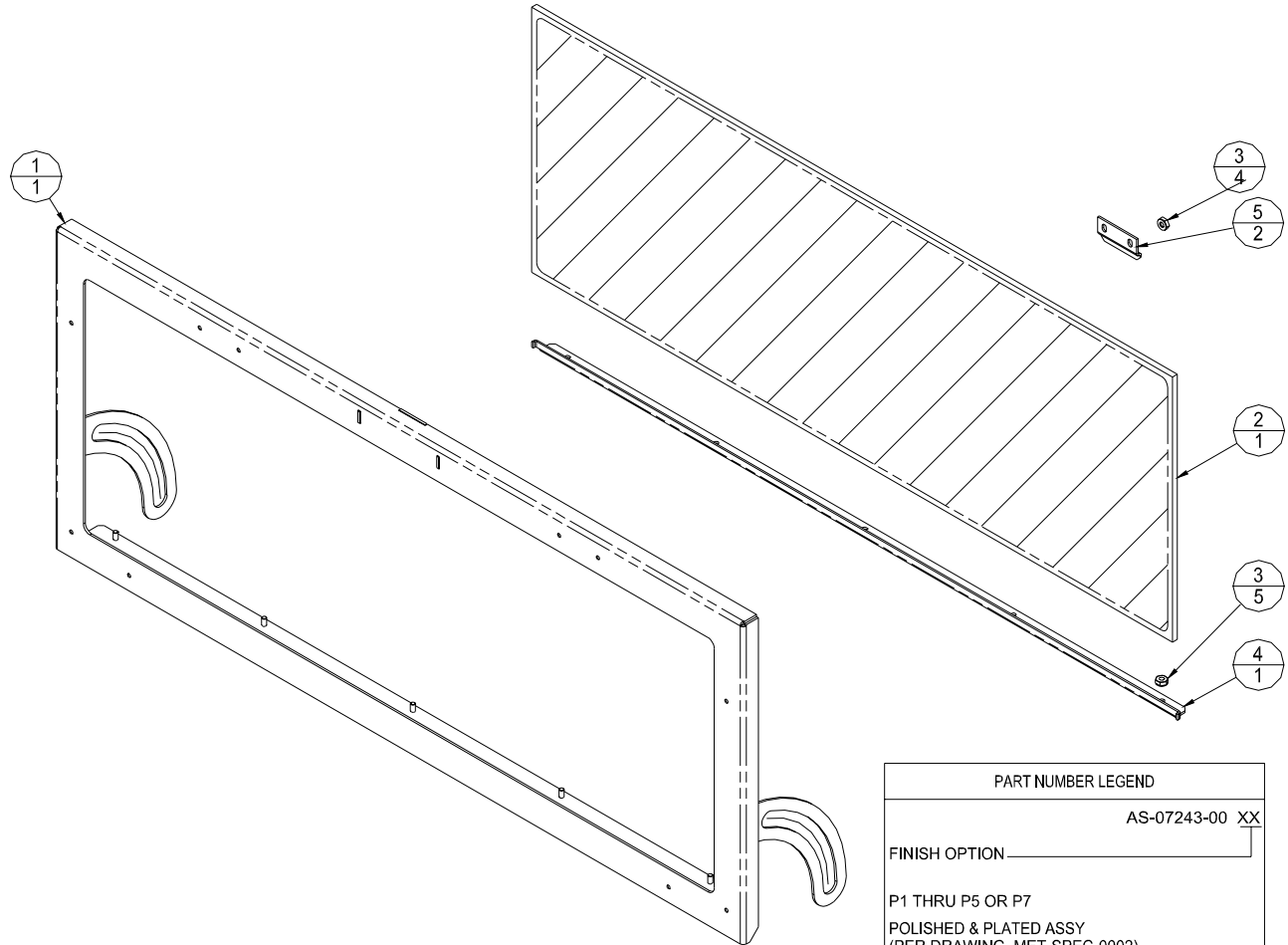


EVO™ Slant

Top Box Selections

| Top Box Door, Extended AS-07243-(SERIES)

Slant



AVAILABILITY:

PART #	DESCRIPTION
AS-07243-0005	Top Box Door Assembly, Extended
AS-07243-0006	Top Box Door Assembly, Extended
AS-07243-0073	Top Box Door Assembly, Extended
AS-07243-00B1	Top Box Door Assembly, Extended
AS-07243-00P4	Top Box Door Assembly, Extended

PART NUMBER LEGEND	
	AS-07243-00 XX
FINISH OPTION	
P1 THRU P5 OR P7	POLISHED & PLATED ASSY (PER DRAWING, MET-SPEC-0002)
B1 THRU B5	BRUSHED & PLATED ASSY (PER DRAWING, MET-SPEC-0002 #4 FINISH)
01 THRU 99	POWDER COAT PER BALLY SPEC PC-SPEC-0001

REF	PART #	DESCRIPTION	QTY
1	A-07243-SERIES	Door Weld Assembly, Extended Top	1
2	G-R0771	Door Glass, Extended Top	1
3	NLS-00632-1112	Hex Nut	9

REF	PART #	DESCRIPTION	QTY
4	P-07241-0008	Glass Mounting Bracket	1
5	P-07241-0009	Glass Mounting Clamp	2
6	R-00553-0011	Gasket, 1/8 x 1/4 x 2, 2-Sided	2

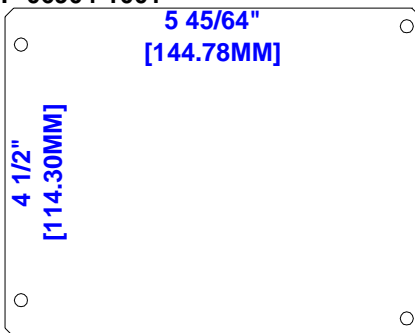
System Panels

P-08600-(SERIES)

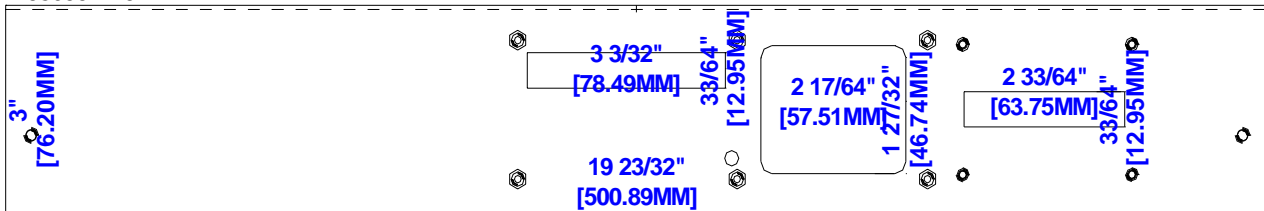
PART #	DESCRIPTION	V8717	V8719	SLANT
P-08600-V746	AGI Touch Screen	X	X	
P-08600-V747	AGI Touch Screen Mounting Panel	X	X	
P-08600-FF14	AGI, Magnetic Reader	X	X	X
P-08600-V708	AGI, Magnetic Reader	X	X	
P-08600-V730	AGI, Magnetic Reader with Printer	X	X	
P-08600-FF13	AGI, Optical Reader	X	X	
P-08600-V714	AGI, Optical Reader	X	X	
P-08600-V729	AGI, Optical Reader with Printer	X	X	
P-08600-FF24	AGI, Reader, 16 X 2 Display and Keypad	X	X	X
P-08600-V745	AGI, Reader, 16 X 2 Display and Keypad with Printer	X	X	
P-08600-FF18	AGI/GS, Keypad	X	X	
P-08600-V731	AGI/GS, Keypad with Printer	X	X	
P-08600-FF19	AGI/GS, Magnetic Reader, Display, Button and Keypad	X	X	X
P-08600-V723	AGI/GS, Magnetic Reader, Display, Button and Keypad	X	X	
P-08600-FF09	AGI/GS, Magnetic Reader, Display, with Button	X	X	
P-08600-V711	AGI/GS, Magnetic Reader, Display, with Button	X	X	
P-08600-V728	AGI/GS, Magnetic Reader, Display, with Button, Printer	X	X	
P-08600-V720	ARISTOCRAT	X	X	
P-08600-FF07	BLANK	X	X	X
P-08600-R710	BLANK, with Printer	X	X	
P-08600-V713	CDS OSII Magnetic or Optical Reader, Large Display	X	X	
P-08600-V705	CDS OSII Magnetic or Optical Reader, Small Display	X	X	
P-08600-FF04	CDS OSII Magnetic Reader	X	X	X
P-08600-V738	CDS OSII Magnetic Reader with Printer	X	X	
P-08600-FF03	CDS SENII Magnetic Reader	X	X	X
P-08600-V733	CDS, SENII, Magnetic Reader with Printer	X	X	
P-08600-FF25	DACOM, Reader, Display and Keypad	X	X	
P-08600-FF02	EDT PT-M400	X	X	X
P-08600-V739	EDT PT-M400 with Printer	X	X	
P-08600-V710	EDT PT-M400, Magnetic or Optical Reader	X	X	
P-08600-V802	EDT Reader with Display, Internal	X	X	
P-08600-FF11	EDT/GS Reader, Display, Keypad, with Button	X	X	

PART #	DESCRIPTION	V8717	V8719	SLANT
P-08600-V716	EDT/GS, Reader, Display, Button, Keypad	X	X	
P-08600-V801	EPI Reader, Display, Keypad, Internal	X	X	
P-08600-V719	GRIPS, Mounting	X	X	
P-08600-V744	GRIPS, Standard 3	X	X	
P-08600-V743	GRIPS, Standard 7 with Printer	X	X	
P-08600-V735	GRIPS, with Printer	X	X	
P-08600-FF17	GRIPS, Old	X	X	
P-08600-FF05	GSI Reader	X	X	
P-08600-V707	GSI Reader	X	X	
P-08600-V734	GSI Reader with Printer	X	X	
P-08600-FF10	MKOHN Reader, Display, and Keypad	X	X	X
P-08600-V706	MKOHN Reader, Display, and Keypad	X	X	
P-08600-V732	MKOHN Reader, Display, and Keypad with Printer	X	X	
P-08600-FF22	MKOHN, Reader, Display and 16 Button Keypad	X	X	
P-06904-1001	No System	X	X	
P-08600-V736	SANDS Reader, Display, Keypad, Black	X	X	
P-08600-V737	SANDS Reader, Display, Keypad, Black, with Printer	X	X	
P-08600-V712	SANDS SMS, Black	X	X	
P-08600-V7P7	SANDS SMS, Gold	X	X	
P-08600-FF12	SANDS, Reader, Display and Keypad		X	X
P-08600-V740	SCI Smart Card	X	X	
P-08600-FF16	SDS Component	X	X	X
P-08600-V726	SDS Component with Printer	X	X	
P-08600-V704	SDS DMK Display, Reader, and Keypad	X	X	
P-08600-FF01	SDS DMK with Keypad	X	X	X
P-08600-V727	SDS DMK, Display, Reader, and keypad with Printer	X	X	
P-08600-V724	SDS DMK, Keypad, with Printer	X	X	
P-08600-FF06	SDS EPI Reader, Display, and Keypad	X	X	X
P-08600-V725	SDS EPI Reader, Display, and Keypad with Printer	X	X	
P-08600-R804	SDS EPI, Round Top	X	X	
P-08600-FF15	USI Reader	X	X	

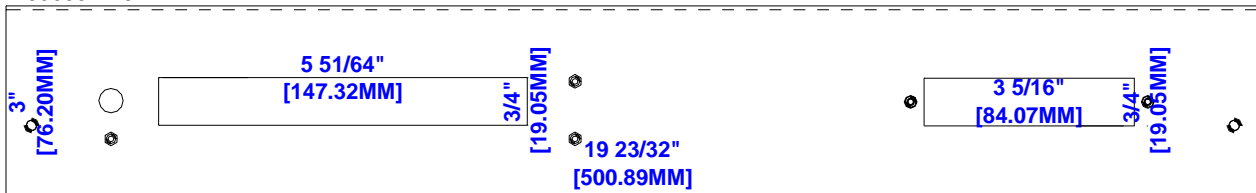
P-06904-1001



P-08600-FF01



P-08600-FF02



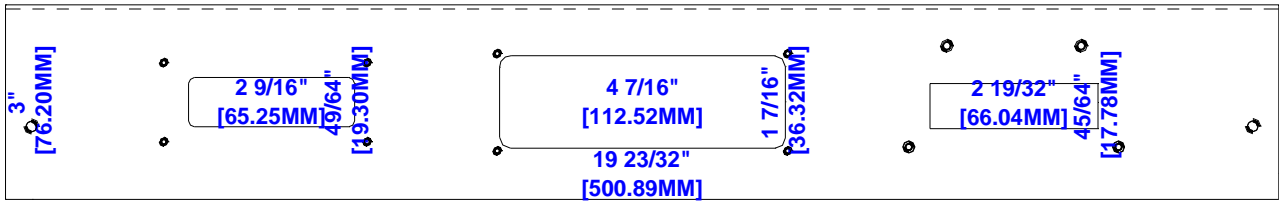
*Illustrations not to scale.



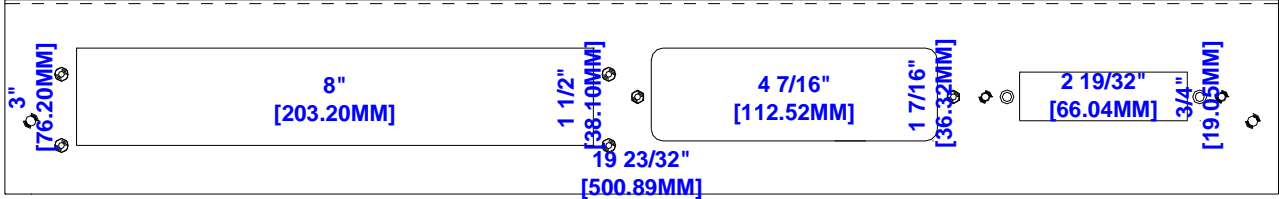
System Panels

P-08600-(SERIES)

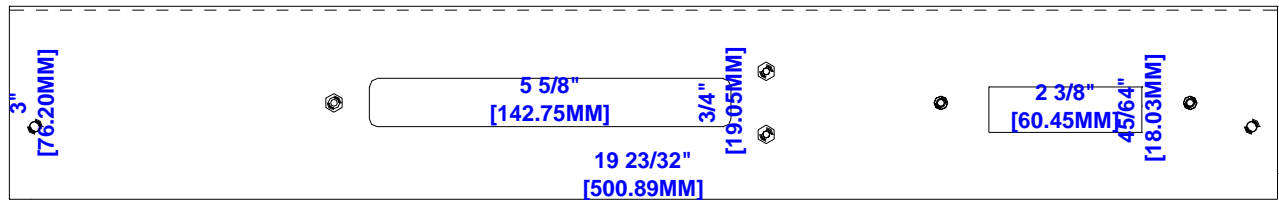
P-08600-FF03



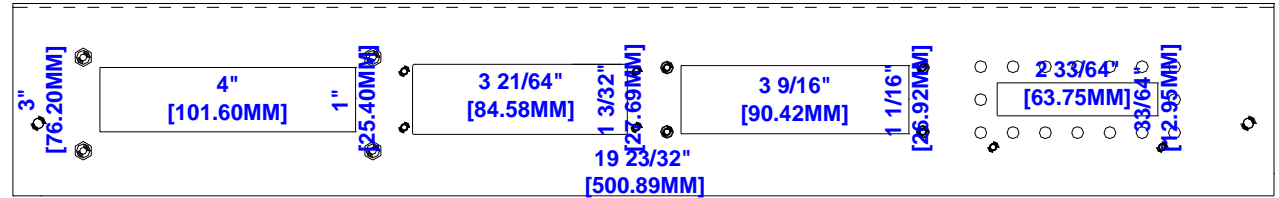
P-08600-FF04



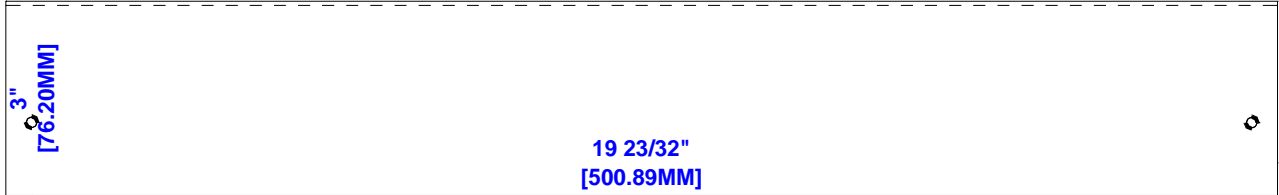
P-08600-FF05



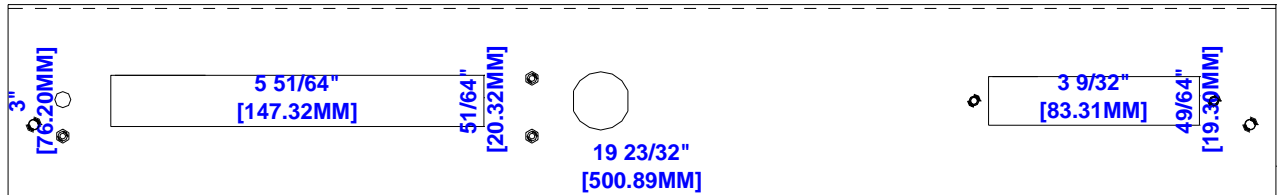
P-08600-FF06



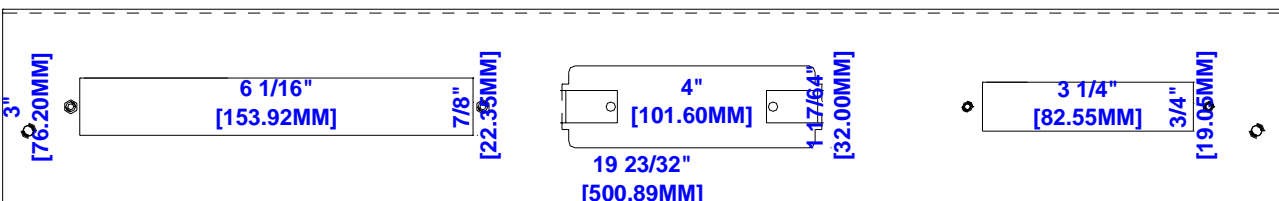
P-08600-FF07



P-08600-FF09



P-08600-FF10

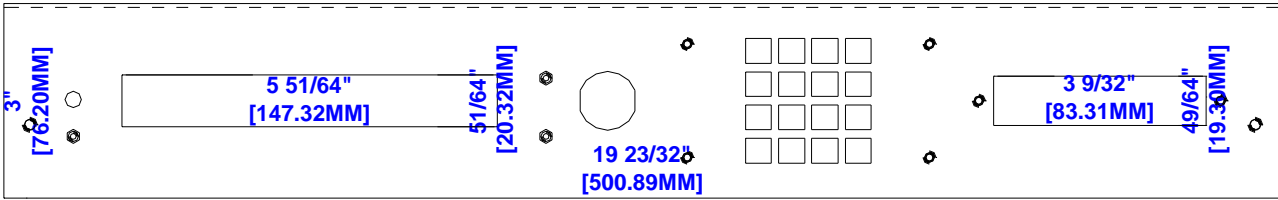


*Illustrations not to scale.

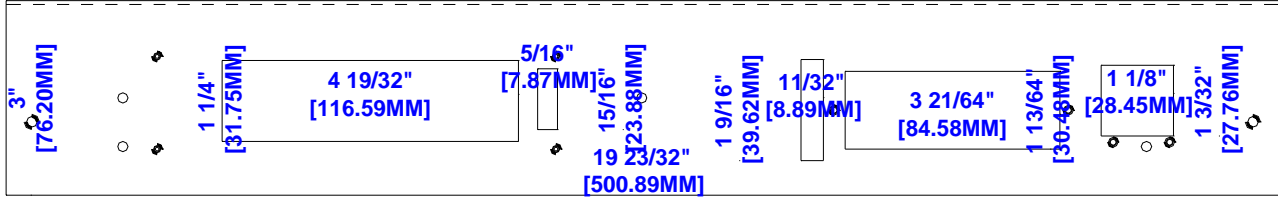
System Panels

P-08600-(SERIES)

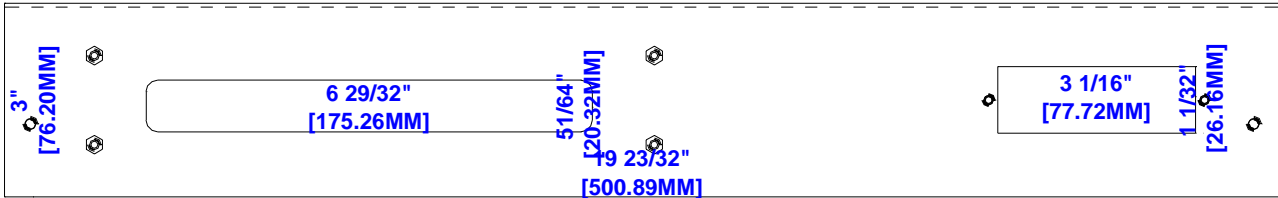
P-08600-FF11



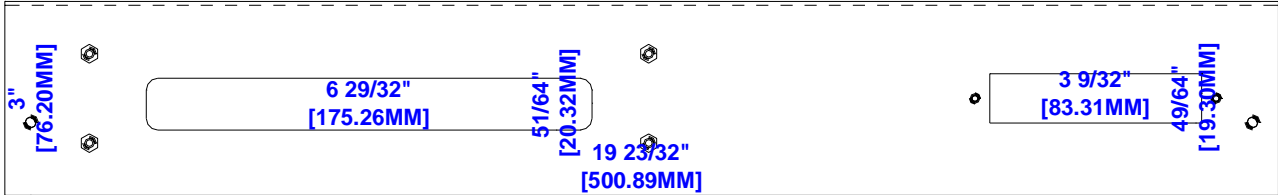
P-08600-FF12



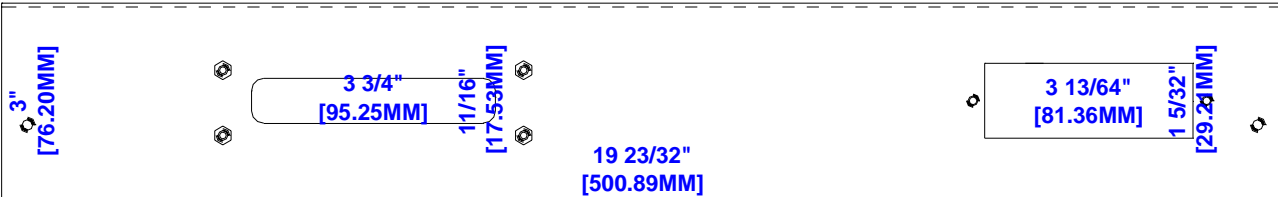
P-08600-FF13



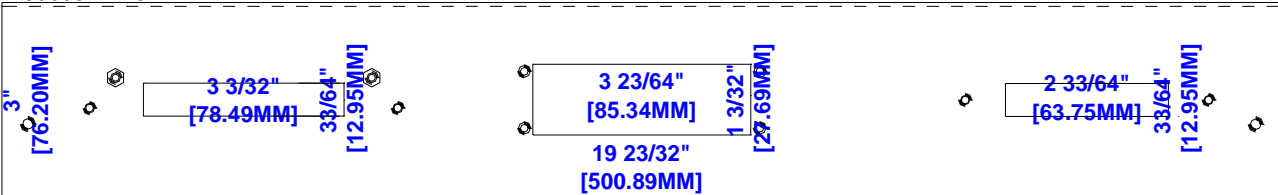
P-08600-FF14



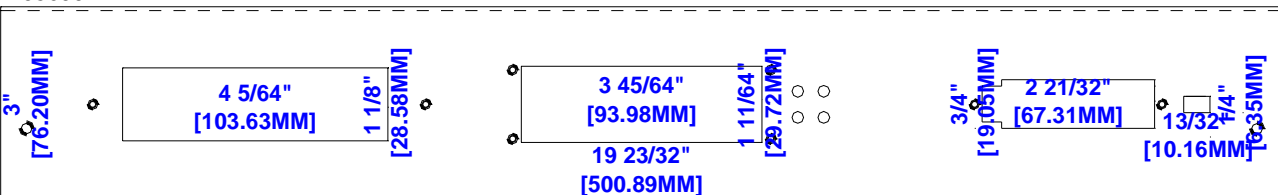
P-08600-FF15



P-08600-FF16



P-08600-FF17



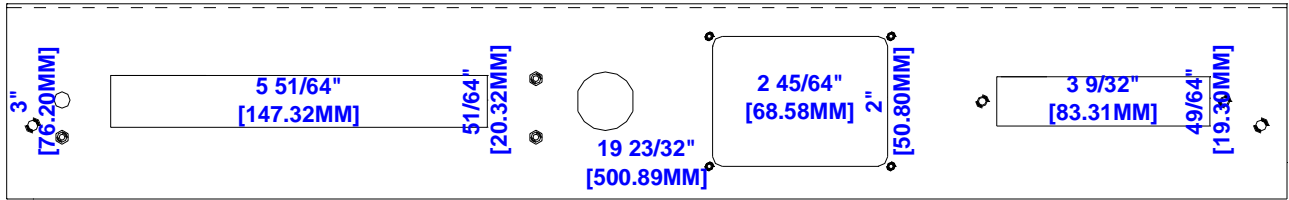
*Illustrations not to scale.



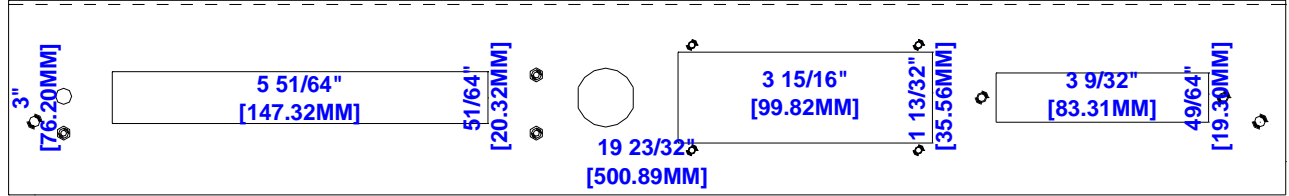
System Panels

P-08600-(SERIES)

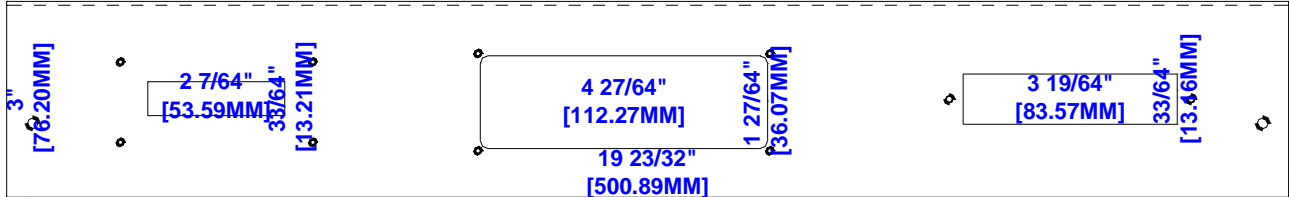
P-08600-FF18



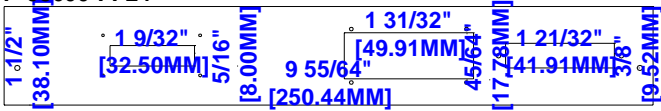
P-08600-FF19



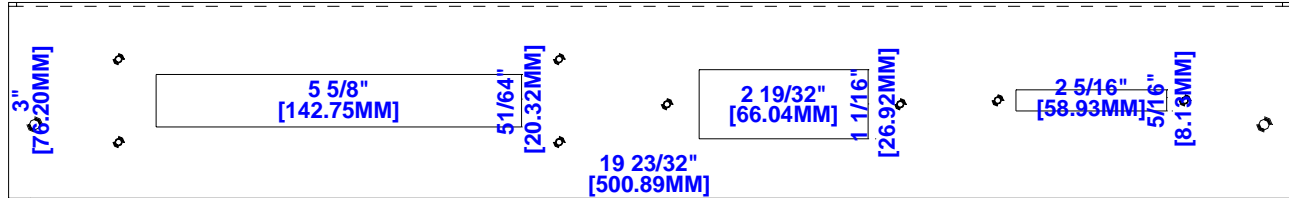
P-08600-FF22



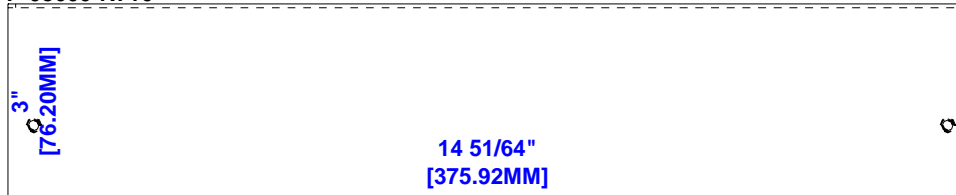
P-08600-FF24



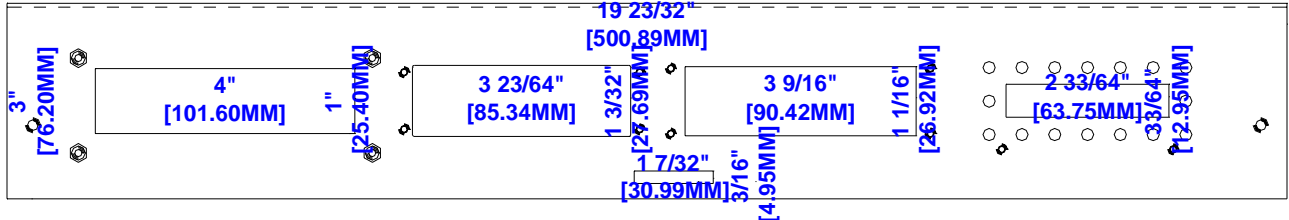
P-08600-FF25



P-08600-R710



P-08600-R804

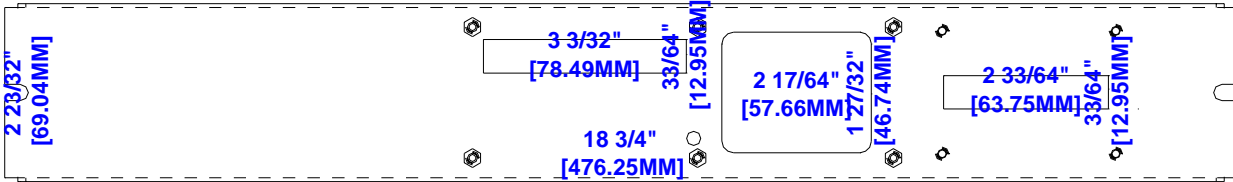


*Illustrations not to scale.

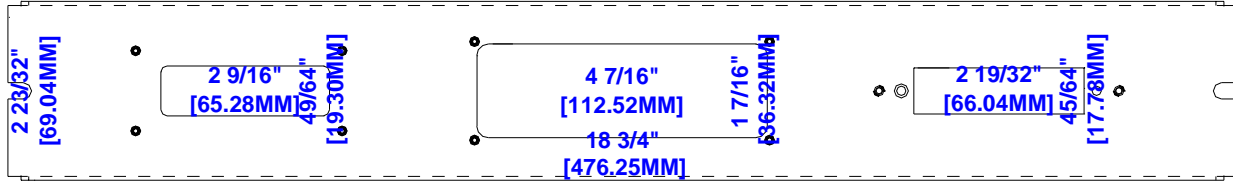
System Panels

P-08600-(SERIES)

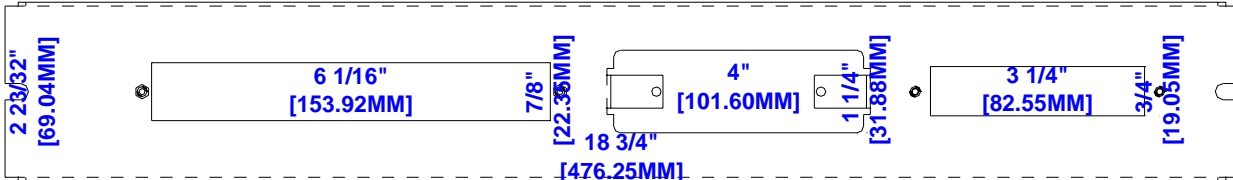
P-08600-V704



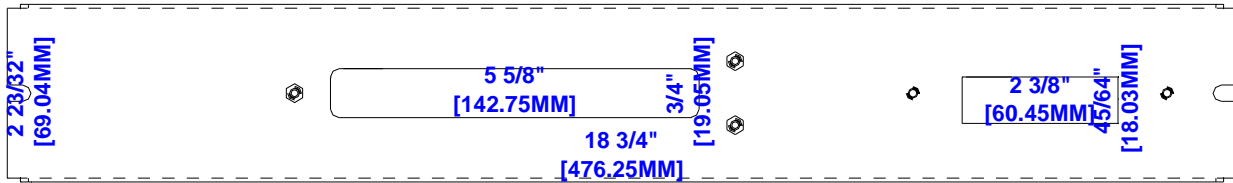
P-08600-V705



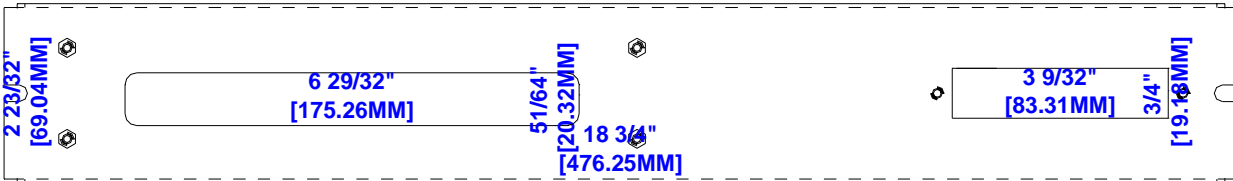
P-08600-V706



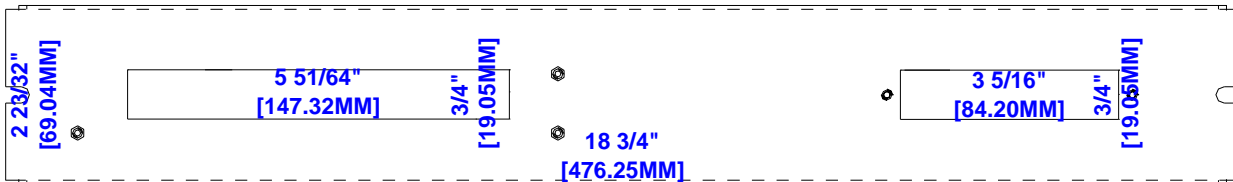
P-08600-V707



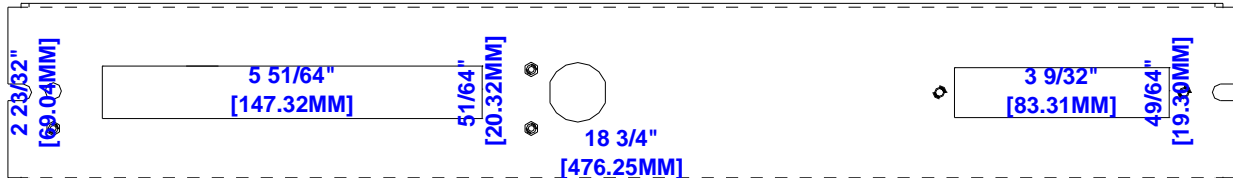
P-08600-V708



P-08600-V710



P-08600-V711



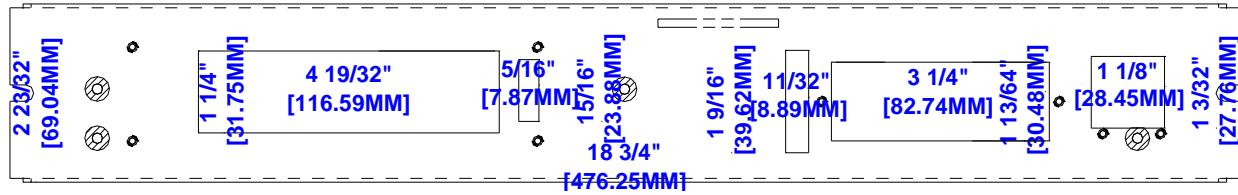
*Illustrations not to scale.



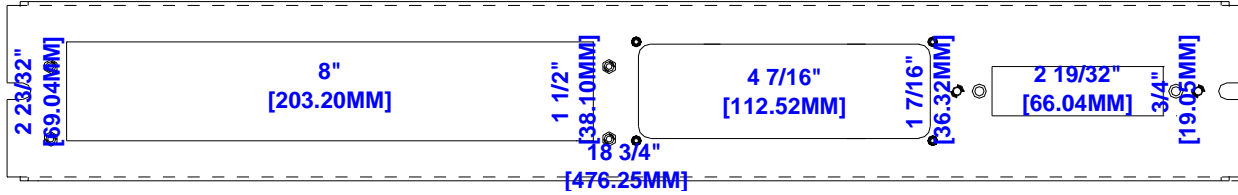
System Panels

P-08600-(SERIES)

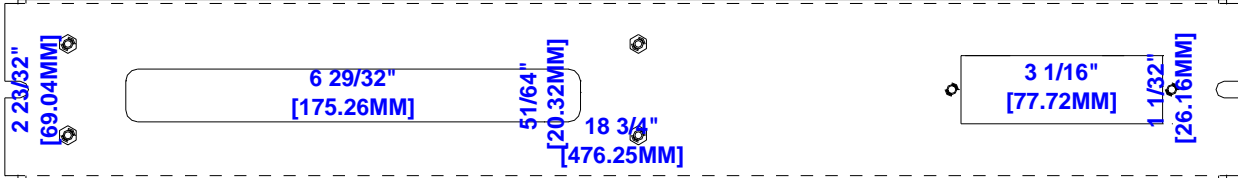
P-08600-V712



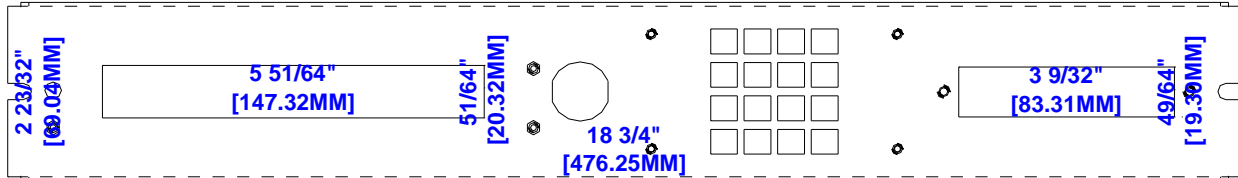
P-08600-V713



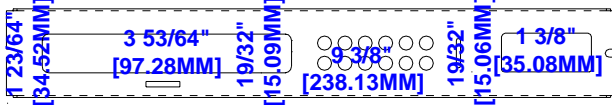
P-08600-V714



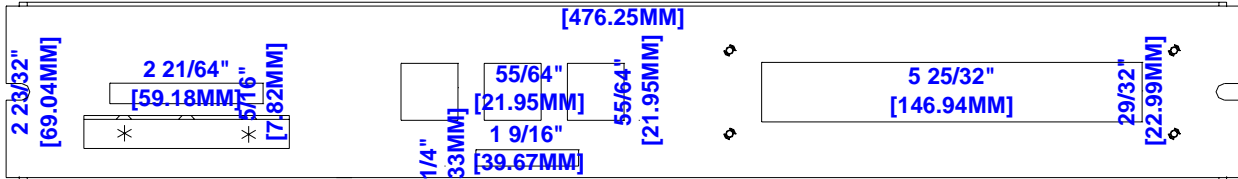
P-08600-V716



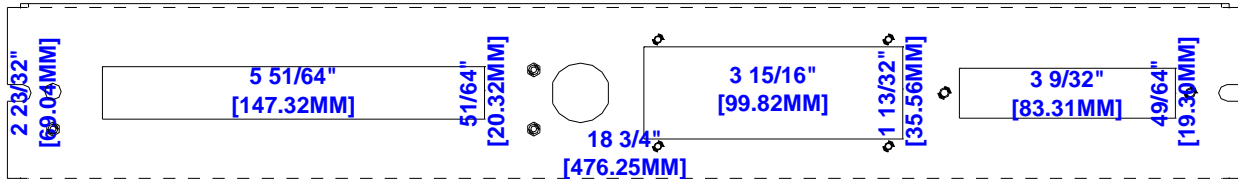
P-08600-V719



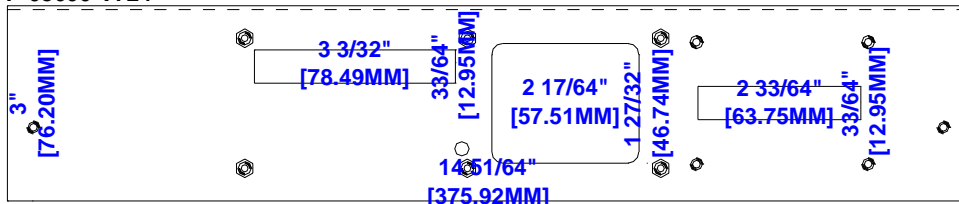
P-08600-V720



P-08600-V723



P-08600-V724

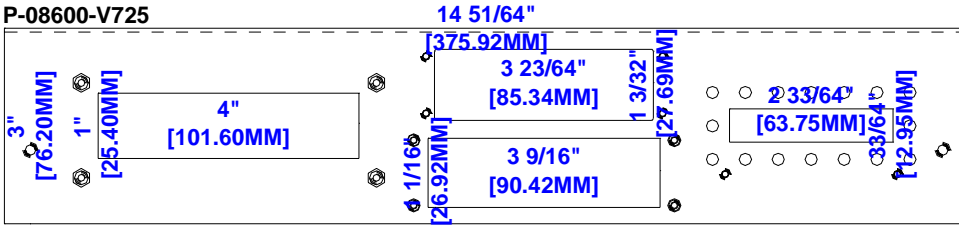


*Illustrations not to scale.

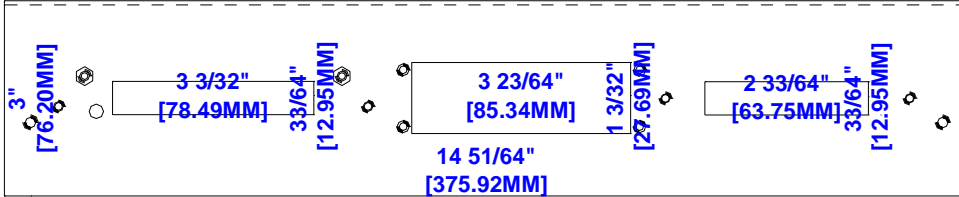
System Panels

P-08600-(SERIES)

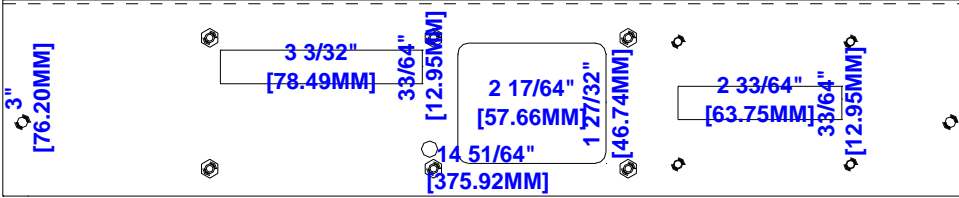
P-08600-V725



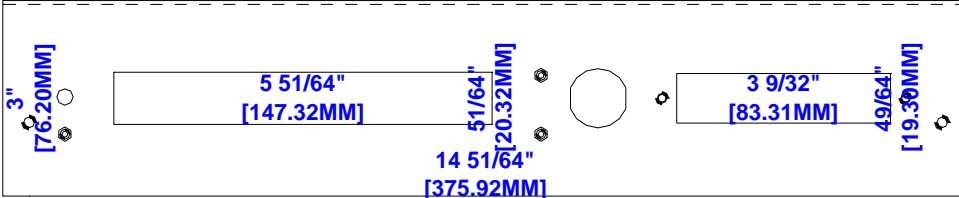
P-08600-V726



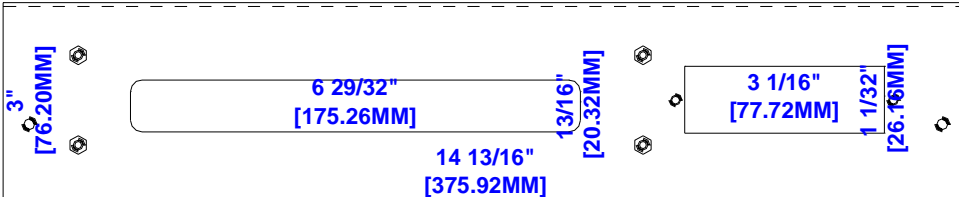
P-08600-V727



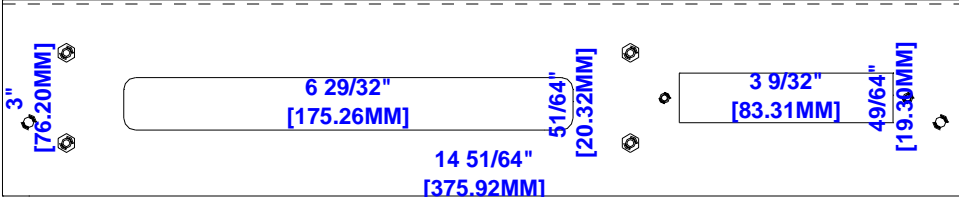
P-08600-V728



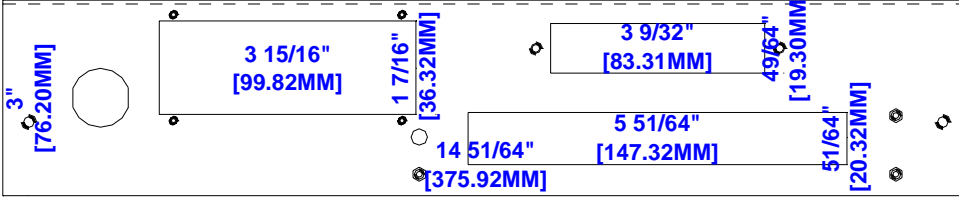
P-08600-V729



P-08600-V730



P-08600-V731



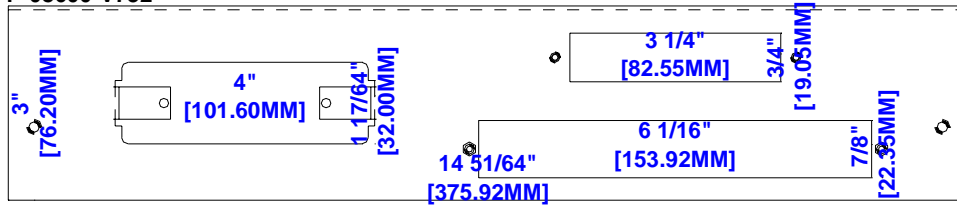
*Illustrations not to scale.



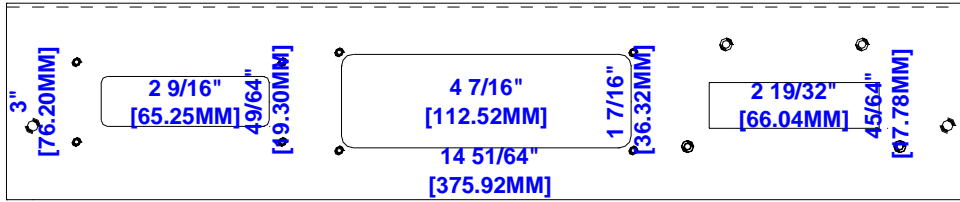
System Panels

P-08600-(SERIES)

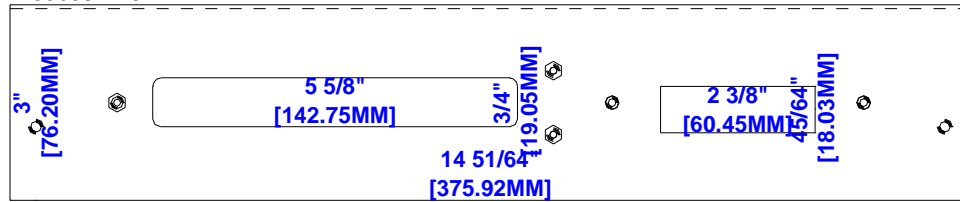
P-08600-V732



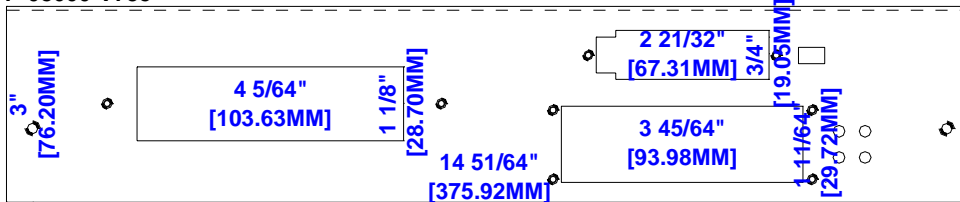
P-08600-V733



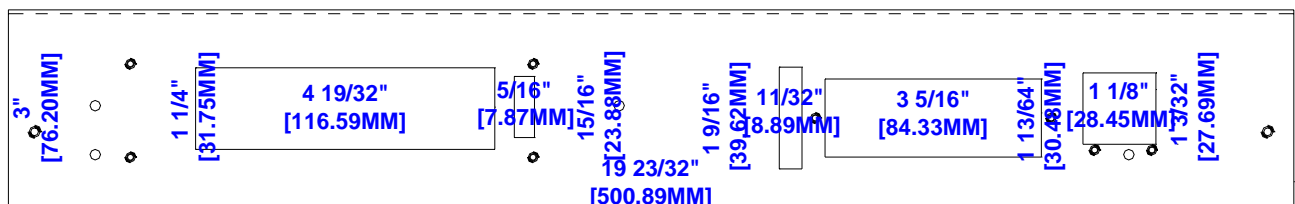
P-08600-V734



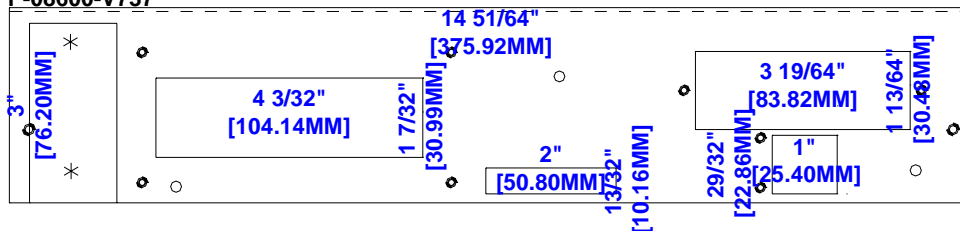
P-08600-V735



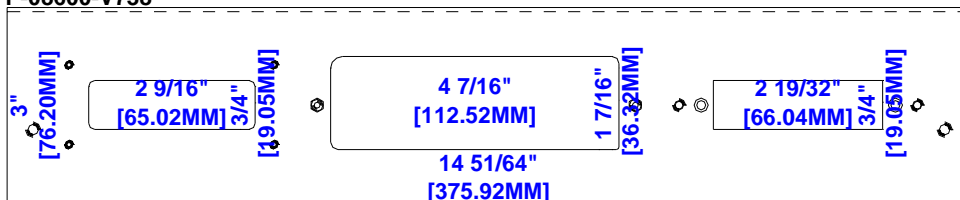
P-08600-V736



P-08600-V737



P-08600-V738

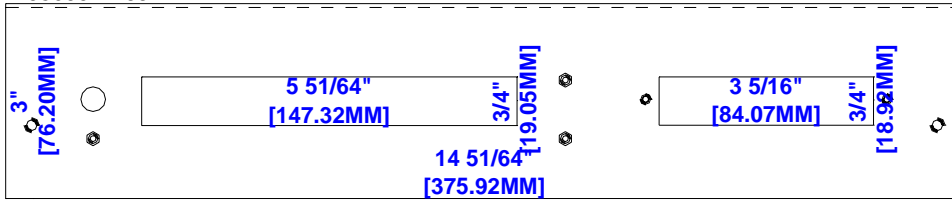


*Illustrations not to scale.

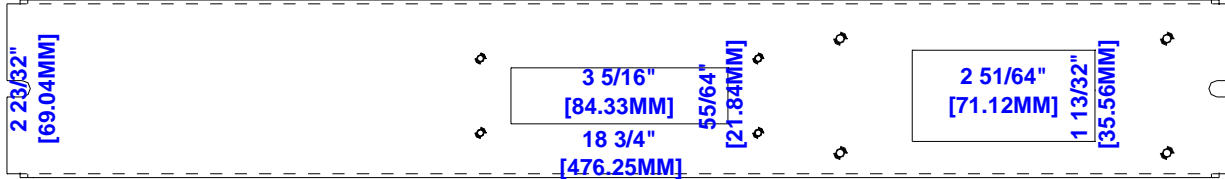
System Panels

P-08600-(SERIES)

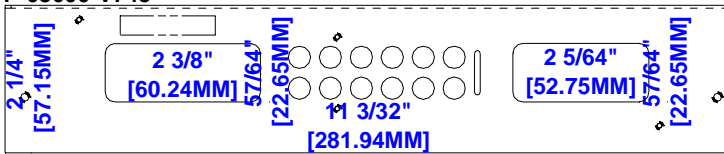
P-08600-V739



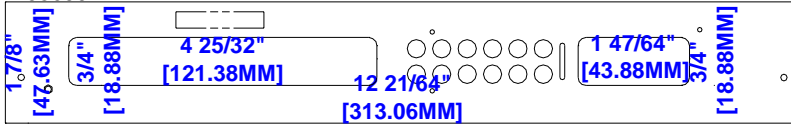
P-08600-V740



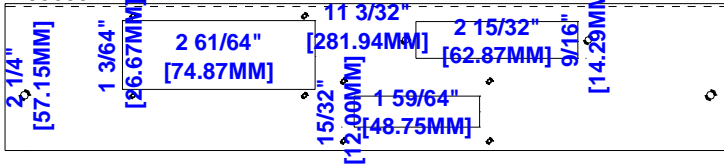
P-08600-V743



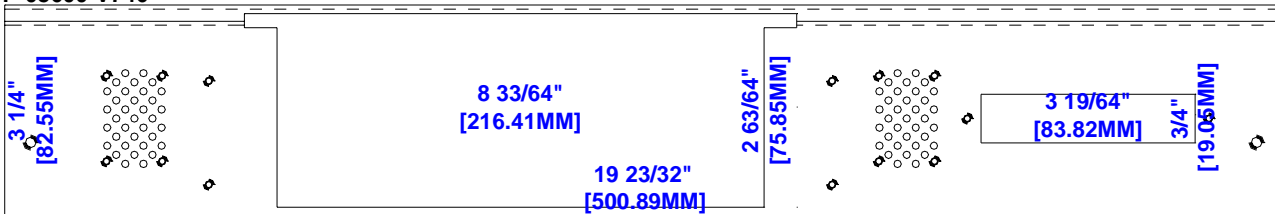
P-08600-V744



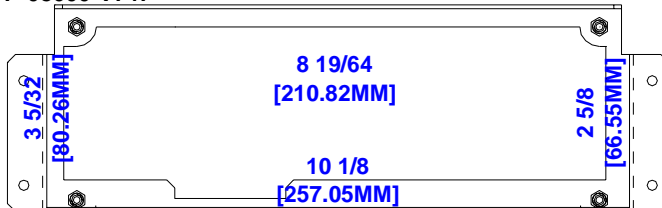
P-08600-V745



P-08600-V746



P-08600-V747



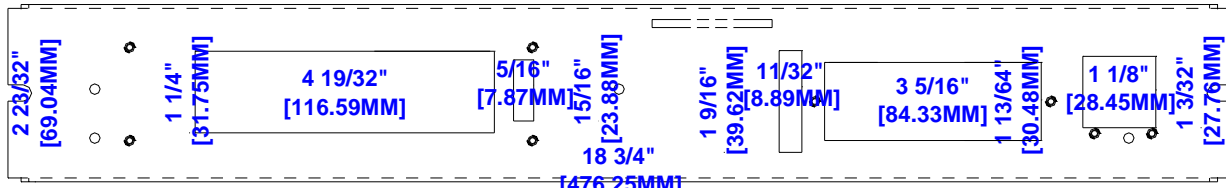
*Illustrations not to scale.



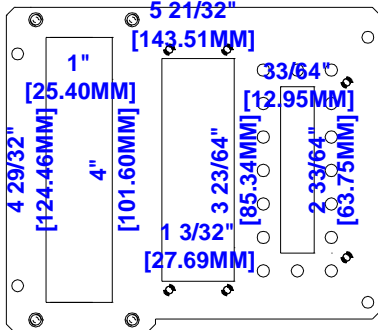
System Panels

P-08600-(SERIES)

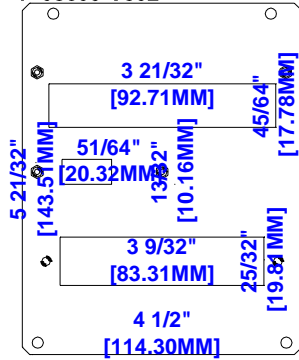
P-08600-V7P7



P-08600-V801



P-08600-V802



*Illustrations not to scale.

Part Number Structure

Parts used in Bally Gaming, Inc., equipment are identified with PART #s stamped into, or physically attached. The PART #s are usually 15 characters including the dashes in the pattern:

1 2 3 4 – 1 2 3 4 5 – 1 2 3 4

The following PART # prefixes serve to classify the parts:

PREFIX	DESCRIPTION
A	Parts assembled by staking, riveting, or welding
AS	Parts assembled without machining operations
C	Castings, forging, extrusions, molded parts, coils
CA	Cabinet and wood parts
CBL	Cables
E	Electrical component
G	Raw and screened glass parts
K	Kits
M	Miscellaneous
N	Nut
P	Fabricated parts
R	Rubber parts
S	Screw machine parts
SP	Springs
WIP	Wire

Fasteners follow the following convention:

PP D H - SSS TT - M F LL

PP

PP	FASTENER DESCRIPTION
AB	Sheet Metal Type AB
CB	Carriage Bolt
CP	Set Screw Cup Point
CS	Cap Screw
DS	Drill Screw
FP	Set Screw Flat Point
HL	HiLo Thread for Plastic
KP	Set Screw Knurled
LS	Machine Screw with Lock Washer
LT	Machine Screw with Internal Lock Washer
MF	Machine Screw Type F
MS	Machine Screw
NL	Machine Screw with External Lock Washer
NM	Machine Screw with Threaded Patch
NS	"Nylok" Machine Screw
PC	Set Screw Cone Point
PT	CamCar "Fastite" Thread
RL	Rolox Screw
SA	Sheet Metal Type A
SB	Sheet Metal Type B
SF	Swage Form
SL	Sheet Metal Type L
SM	Seemplex Thread Form
SW	Machine Screw Type 23
SX	Square Flo
SY	Machine Screw Type 25
SZ	Sheet Metal Type Z
TC	Thread Form Type C
TF	Thread Form RL, TT, SF, C
TT	"CamCar Taprite" Thread
WO	Set Screw W Point
WS	Wood Screw

D

D	DRIVE	D	DRIVE	D	DRIVE
O	None	B	Button	S	Slotted
A	Allen	P	Phillips	H	Holt

H

H	HEAD	H	HEAD
A	Washer Head Round	L	Fillster Head
B	Binding Head	N	Hex Head, Pin-In Socket
C	Washer Head Hex	O	None
D	Hex Head Indented	P	Pan Head
E	Knurled Head Cap	R	Round Head
F	Flat Head	S	Washer Serrated Hex
G	Flat Head (Metric)	T	Truss Head
H	Hex Head	U	Binding Head Undercut
J	Washer Reversed Serrated Hex	X	Undercut Flat Head
		Z	Oval Head
K	Flat Head, 100°		

SSS

SSS	SIZE	SSS	SIZE	SSS	SIZE
002	2	010	10	500	1/2
003	3	012	12	M02	2MM
004	4	250	1/4	M03	3MM
005	5	312	5/16	M04	4MM
006	6	375	3/8	M25	2.5MM
0008	8	437	7/16		

TT

TT	THREADS PER UNIT	TT	THREADS PER UNIT	TT	THREADS PER UNIT
00	0-WS	24	24 TPI	48	48 TPI
13	13 TPI	28	28 TPI	50	.5 TPMM
14	14 TPI	32	32 TPI	56	56 TPI
16	16 TPI	36	36 TPI	70	.7 TPMM
18	18 TPI	40	40 TPI		
20	20 TPI	45	.45MM		

M

M	MATERIAL	M	MATERIAL	M	MATERIAL
1	Steel	3	Stainless	5	Plastic
2	Brass	4	Aluminum	6	Nylon

F

F	FINISH	F	FINISH
0	None	5	Zinc, Waxed
1	Zinc	6	Nickel, Waxed
2	Zinc, Gold	7	Blued
3	Nickel	8	Black Oxide
4	Chromium	9	Black Oxide, Waxed

LL

LL	LENGTH	LL	LENGTH	LL	LENGTH
02	1/8"	10	5/8"	20	1 1/4"
03	3/16"	11	11/16"	22	1 3/8"
04	1/4"	12	3/4"	24	1 1/2"
05	5/16"	13	13/16"	28	1 3/4"
06	3/8"	14	7/8"	32	2"
07	7/16"	15	15/16"	48	3 1/4"
08	1/2"	16	1"	60	3 3/4"
09	9/16"	18	1 1/8"		



Video Model Number

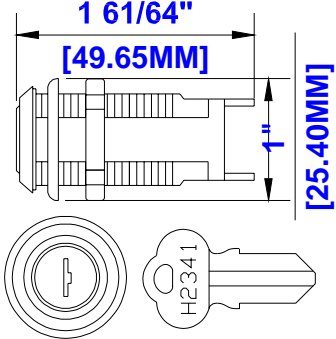
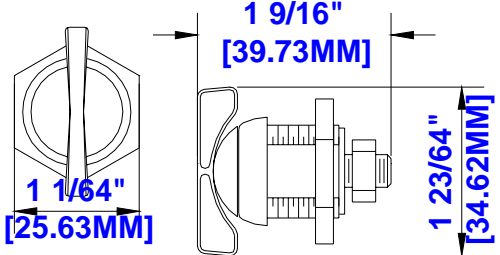
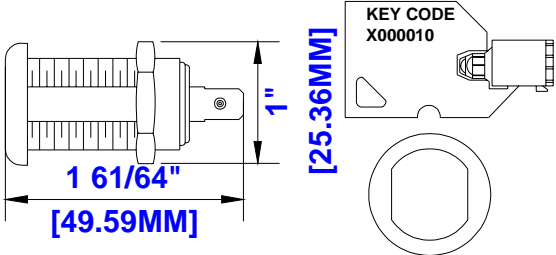
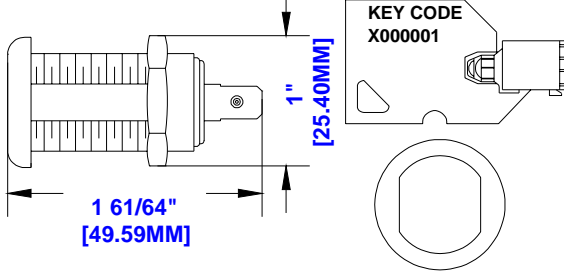
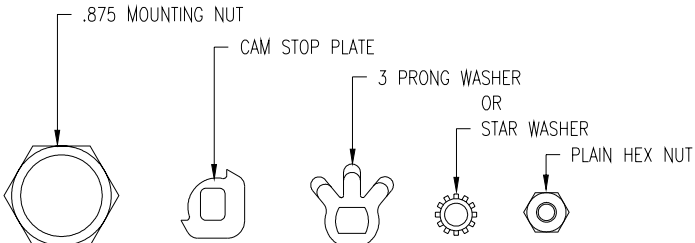
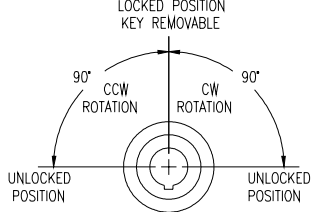
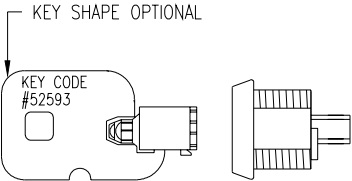
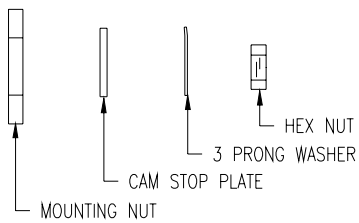
Bally Gaming Machines have an Identification Plate attached to the outside of the cabinet. Upright machines will have the plate in the lower left corner of the player's right-hand side. Slant top and bar top machines have it mounted under the arm rest in the upper right portion of the machine's Identification Platefront.



The Model Number consists of nine digits with the following convention:

Digit	Selection	Reference	Description
1	V	Product	Video Product
2,3,4	MPL	Description	Multi Game Capable
5	0 4 5	Feature	Default Feature Frenzy™ 20-Inch Monitor V72 Slant 17-Inch Monitor
6	N Q M W C R F S D	Cabinet	Upright 14-Inch Monitor Upright 20-Inch Monitor V7000 20-Inch Chop Top Narrow Traditional Chop Top Wide Traditional Chop Top Narrow Round Top Bar Top Slant Top Standard Top Box Slant Top Round Top Box
7	0 1 6 F P N	Bill Acceptors	No Bill Acceptor Bill Acceptor Bar Code Bill Acceptor Front Loading Bill Acceptor Front Loading V7200, V8000 No Bill Acceptor, V7200, V8000
9	1 2 3 4 5 6	Touchscreen, Printer, Hopper	Touchscreen, Printer Touchscreen, Hopper Buttons, Printer Buttons, Hopper Touchscreen, Buttons, Printer Touchscreen, Buttons, Hopper

Appendix A — Lock Cams

 <p style="text-align: center;">M-00281-0171</p>	 <p style="text-align: center;">M-00281-0184</p>
 <p style="text-align: center;">M-00281-0172</p>	 <p style="text-align: center;">M-00281-158C</p>
<div style="display: flex; justify-content: space-around; align-items: flex-start;"> <div style="text-align: center;">  <p>.875 MOUNTING NUT CAM STOP PLATE 3 PRONG WASHER OR STAR WASHER PLAIN HEX NUT</p> </div> <div style="text-align: center;">  <p>LOCKED POSITION KEY REMOVABLE 90° CCW ROTATION 90° CW ROTATION UNLOCKED POSITION UNLOCKED POSITION</p> </div> </div> <p style="text-align: center;">DIFFERENT TYPES OF HARDWARE THAT CAN COME WITH LOCKS MAY BE BOXED OR BAGGED SEPARATE</p> <div style="display: flex; justify-content: space-around; align-items: flex-start; margin-top: 20px;"> <div style="text-align: center;">  <p>KEY SHAPE OPTIONAL KEY CODE #52593</p> </div> <div style="text-align: center;">  <p>MOUNTING NUT CAM STOP PLATE 3 PRONG WASHER HEX NUT</p> </div> </div> <div style="text-align: right; margin-top: 20px;"> <p>EITHER "CW" OR "CCW" MAY BE OBTAINED BY CHANGING ORIENTATION OF STOP CAM ON BACK OF LOCK.</p> </div>	
<p style="text-align: center;">M-00281-162A</p>	

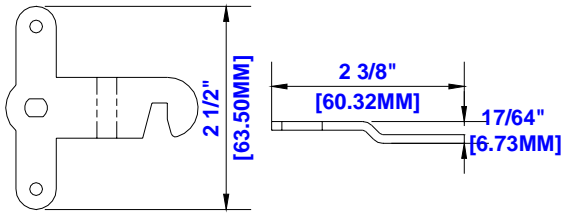
Appendix A — Lock Cams

<p>P-00758-0093</p>	<p>P-00758-0155</p>
<p>P-00758-0094</p>	<p>P-00758-0159</p>
<p>P-00758-0151</p>	<p>P-00758-0160</p>
<p>P-00758-0152</p>	<p>P-00758-0161</p>

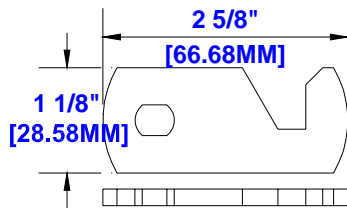
Appendix A — Lock Cams

<p>P-00758-0162</p>	<p>P-00758-0168</p>
<p>P-00758-0163</p>	<p>P-00758-0173</p>
<p>P-00758-0165</p>	<p>P-00758-0181</p>
<p>P-00758-0166</p>	<p>P-00758-0185</p>

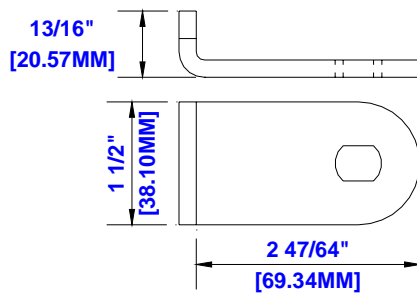
Appendix A — Lock Cams



P-00758-0199



P-00758-0201



P-00758-0202

