



## MODULE 9

MK9-EVMOD-0005

### OVERALL WIRING DIAGRAMS

©2003 BALLY GAMING AND SYSTEMS ALL RIGHTS RESERVED

Bally Gaming and Systems

6601 South Bermuda Road Las Vegas, NV 89119



**For Customer Service and Information:  
+1-702-896-7772 outside the U.S.  
1-877-GO BALLY (877) 462-2559 in the U.S. and Canada  
896-7772 in Las Vegas  
FAX +1-702-896-7710  
or visit our website at <http://www.ballygaming.com>**



# Module 9

## Overall Wiring Diagrams Table of Contents

---

<b>Cabinet</b> .....	<b>9-5</b>
Cabinet Power CBL-30512-0001 .....	9-5
Cabinet Power CBL-30513-0001 .....	9-6
Cabinet Signal CBL-30515-0001 .....	9-7
Cabinet Signal CBL-30515-0002 .....	9-7
Cabinet Signal CBL-30628-0001 .....	9-8
Backplane/PC Housing CBL-30625-0001 .....	9-9
PC/IO CBL-30629-0001 .....	9-10
Cabinet Signal CBL-30628-0001 .....	9-11
Hopper CBL-30227-0003 .....	9-12
Hopper CBL-30241-0001 .....	9-13
LED Top Box CBL-30620-0001 .....	9-14
MPU Housing CBL-30520-0001 .....	9-15
MPU Power/Reset CBL-30519-0001 .....	9-16
MPU Tray CBL-30624-0001 .....	9-17
Power Supply CBL-30412-0001 .....	9-18
Seiko Printer Interface CBL-30483-0002 .....	9-19
<b>Bill Acceptors</b> .....	<b>9-20</b>
GPT Bill Acceptor CBL-30528-0001 .....	9-20
MARS Bill Acceptor CBL-30305-0001 .....	9-21
WBA-10/11 Bill Acceptor CBL-30529-0001 .....	9-22
WBA-12/13 Sentry Bill Acceptor CBL-30636-0001 .....	9-23
WBA-12/13 Sentry Bill Acceptor CBL-30638-0002 .....	9-24
<b>Door</b> .....	<b>9-25</b>
Door CBL-30546-0001 .....	9-25
Door, With Speakers CBL-30639-0001 .....	9-26
Door (Deck) CBL-30627-0001 .....	9-27
Player Panel (Deck), 5-Button CBL-30646-0001 .....	9-28
Player Panel (Deck), 10-Button CBL-30425-0001 .....	9-29
Player Panel (Deck), 10-Button CBL-30425-0005 .....	9-29
Player Panel (Deck), 12-Button CBL-30426-0001 .....	9-30
Player Panel (Deck), 12-Button CBL-30426-0003 .....	9-30
Player Panel (Deck), 14-Button CBL-30427-0001 .....	9-31
Player Panel (Deck), 15-Button CBL-30586-0001 .....	9-32
Player Panel (Deck), 15-Button CBL-30586-0002 .....	9-32



# Module 9

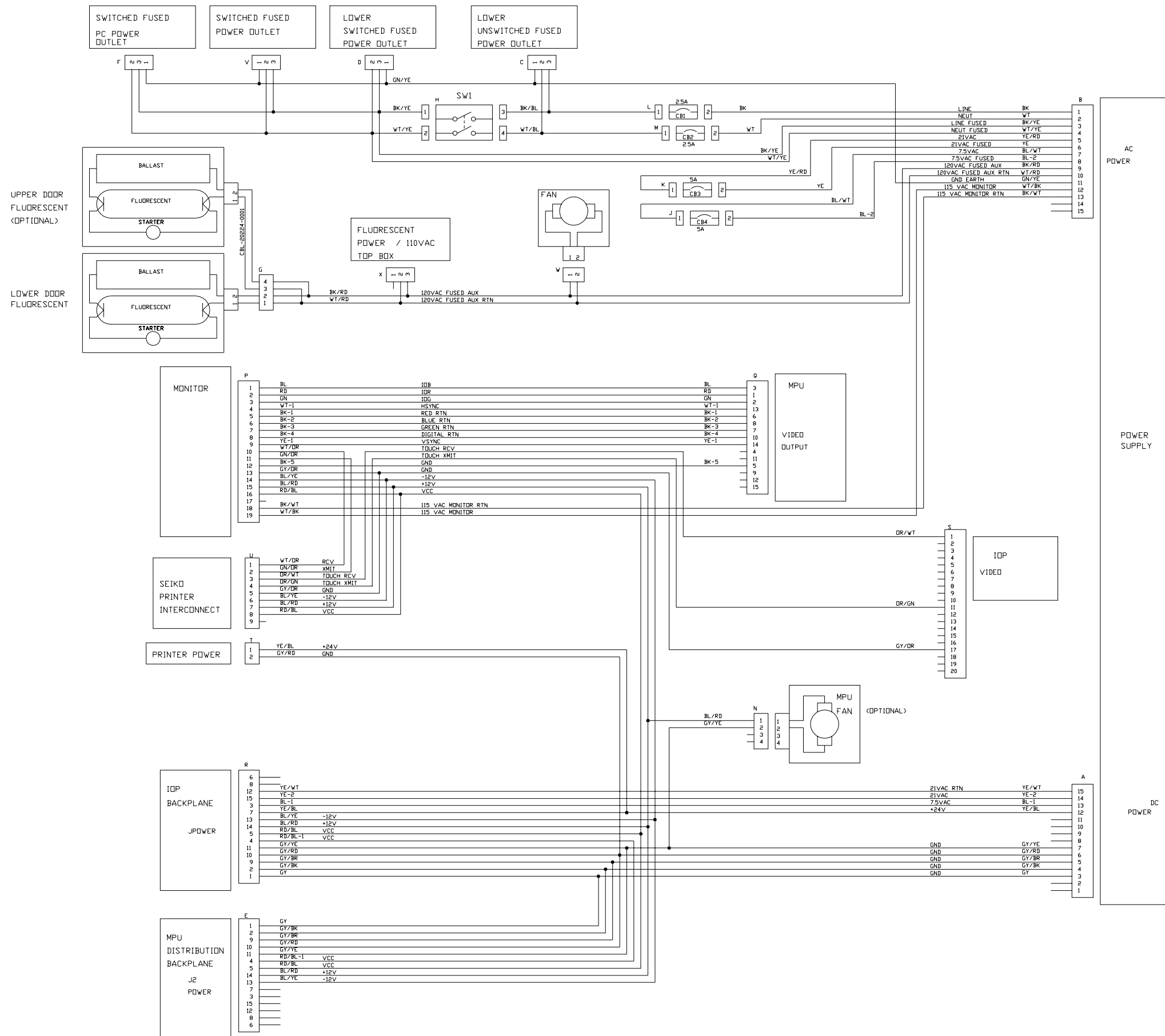
## Overall Wiring Diagrams Table of Contents (cont.)

---

<b>Coin Acceptor .....</b>	<b>9-33</b>
Coin Acceptor, NRI CBL-30487-0001 .....	9-33
Coin Acceptor CC-46/IDX CBL-20215-0001 .....	9-33
Coin Acceptor, COD to CC-16 CBL-30229-0001 .....	9-34
COD Condor, CBL-30229-0002 .....	9-34
Coin I/O CBL-30489-0001 .....	9-35
MC-16 Interface CBL-20306-0001 .....	9-36
MC-16 Interface CBL-20307-0001 .....	9-36

### Cabinet

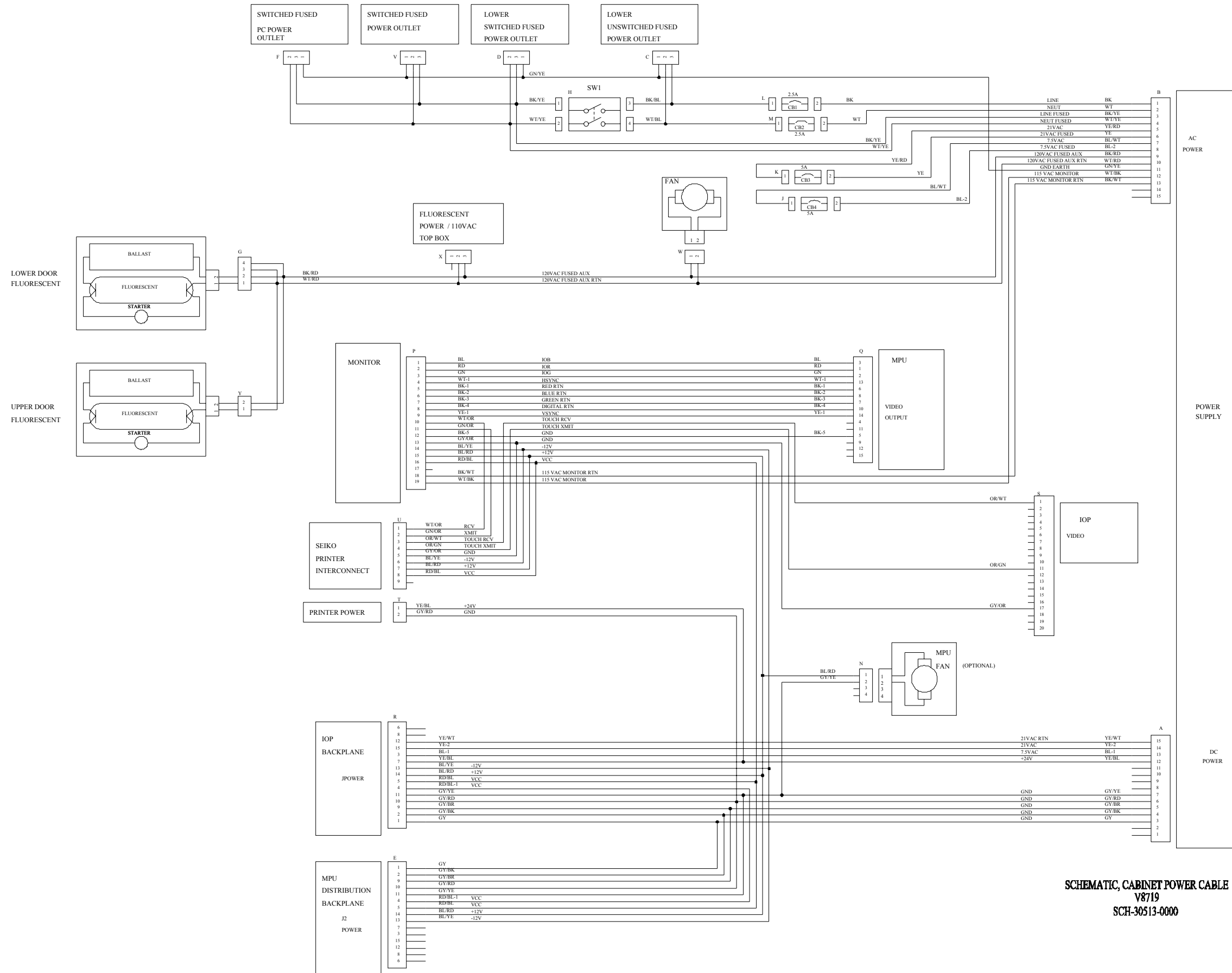
Cabinet Power  
 CBL-30512-0001  
V8717



**Cabinet (cont.)**

Cabinet Power  
CBL-30513-0001

✓V8719



**SCHEMATIC, CABINET POWER CABLE  
V8719  
SCH-30513-0000**

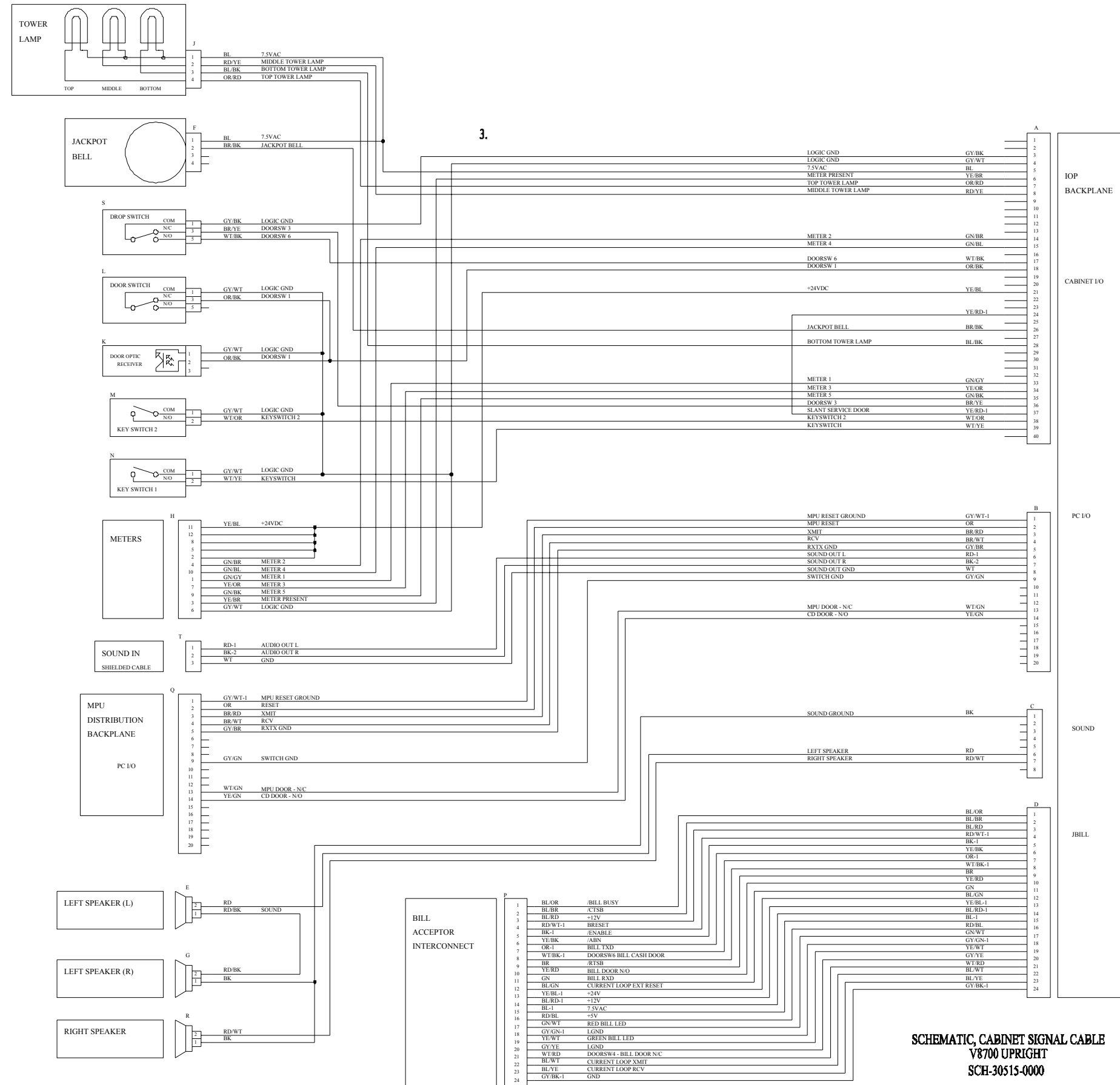
### Cabinet (cont.)

Cabinet Signal  
CBL-30515-0001

V8717

Cabinet Signal  
CBL-30515-0002

V8719

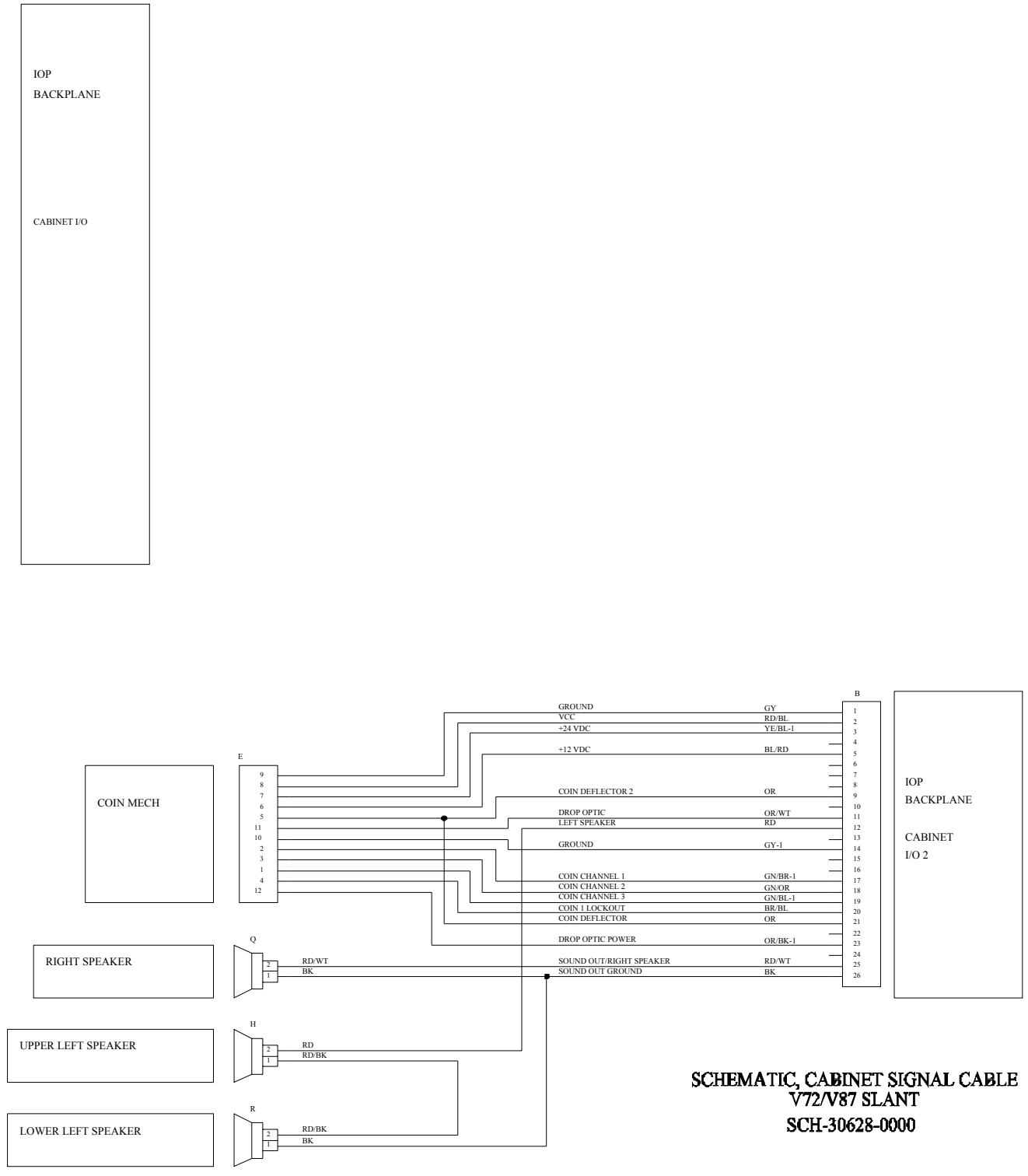
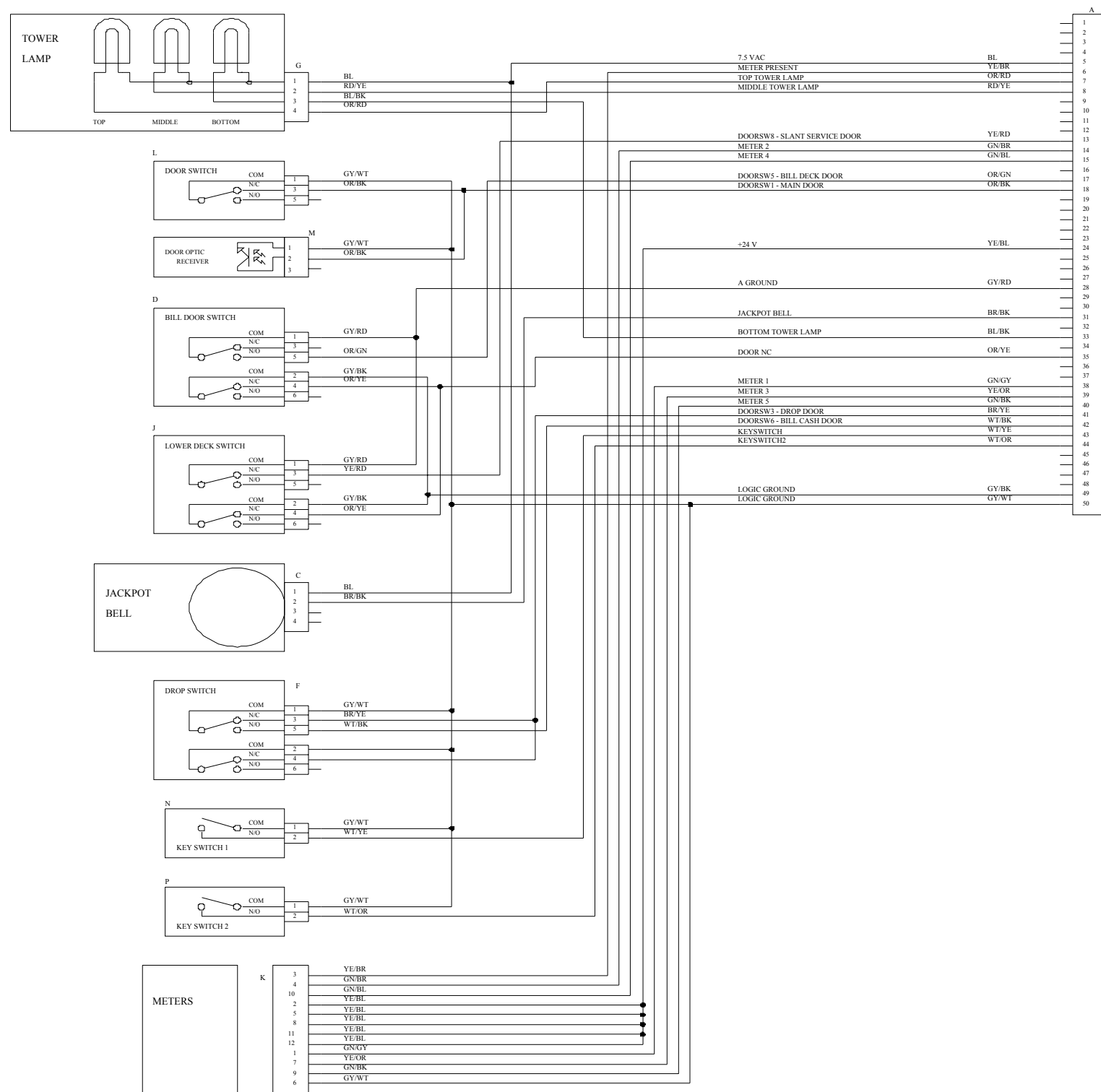


**SCHEMATIC, CABINET SIGNAL CABLE  
V8700 UPRIGHT  
SCH-30515-0000**

**Cabinet (cont.)**

Cabinet Signal  
CBL-30628-0001

Slant



**SCHEMATIC, CABINET SIGNAL CABLE  
V72/V87 SLANT  
SCH-30628-0000**

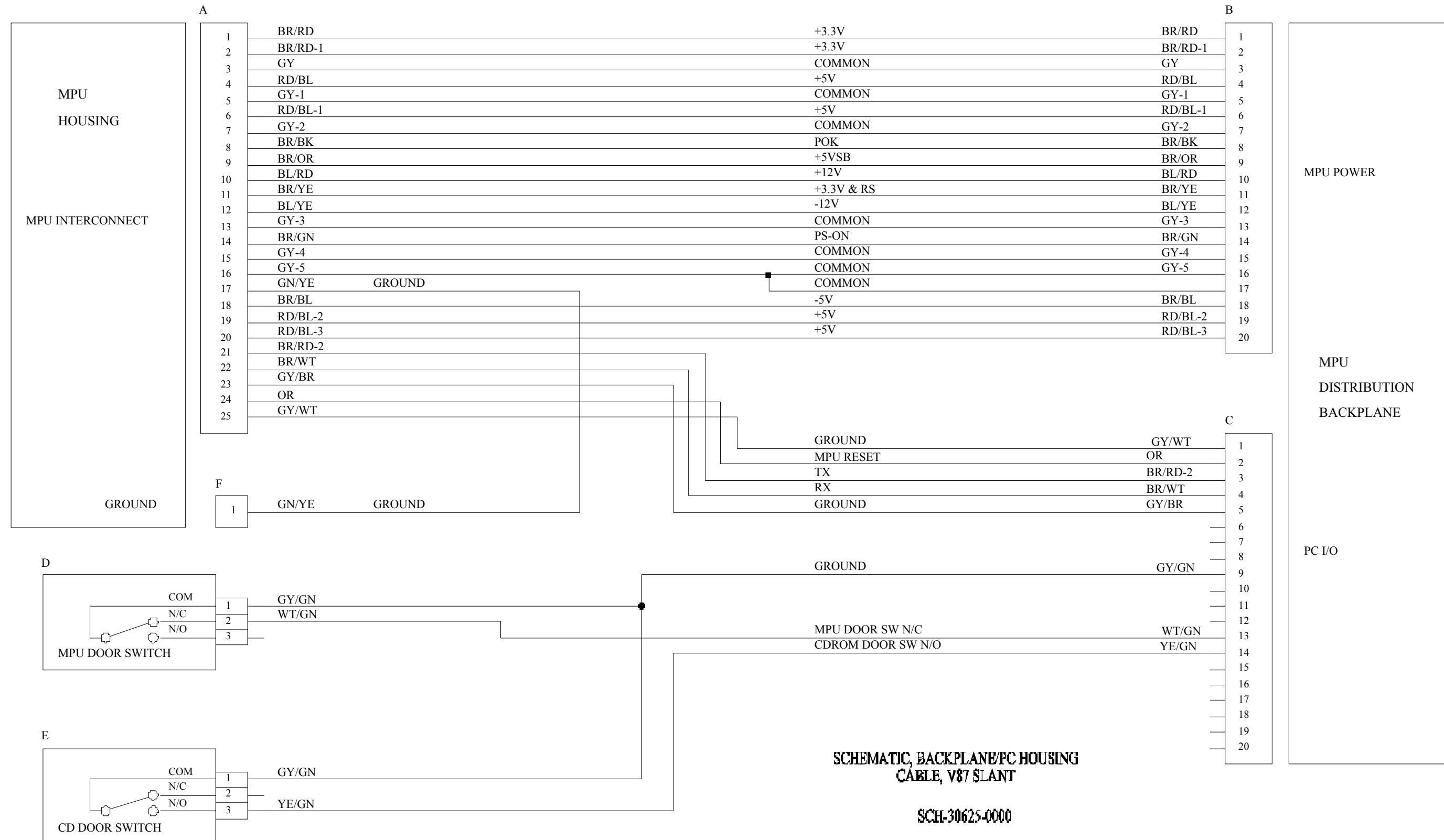


**Cabinet (cont)**

Backplane/PC Housing

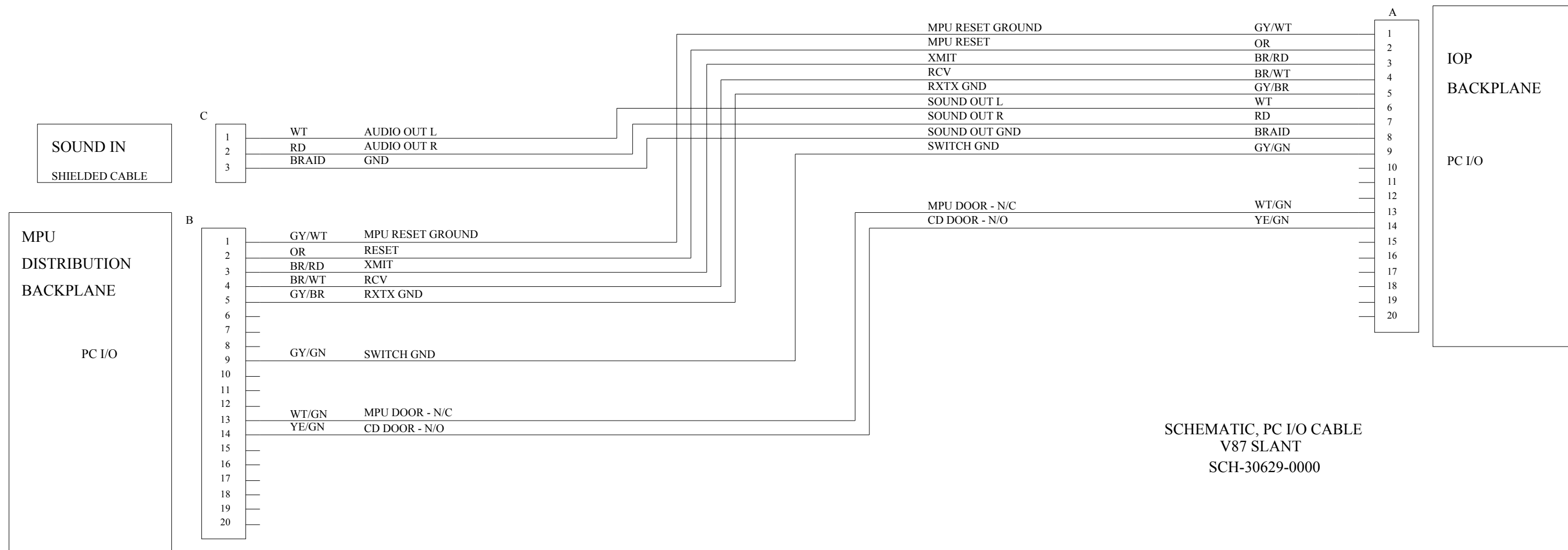
CBL-30625-0001

Slant



**Cabinet (cont)**

PC/IO  
CBL-30629-0001  
 Slant

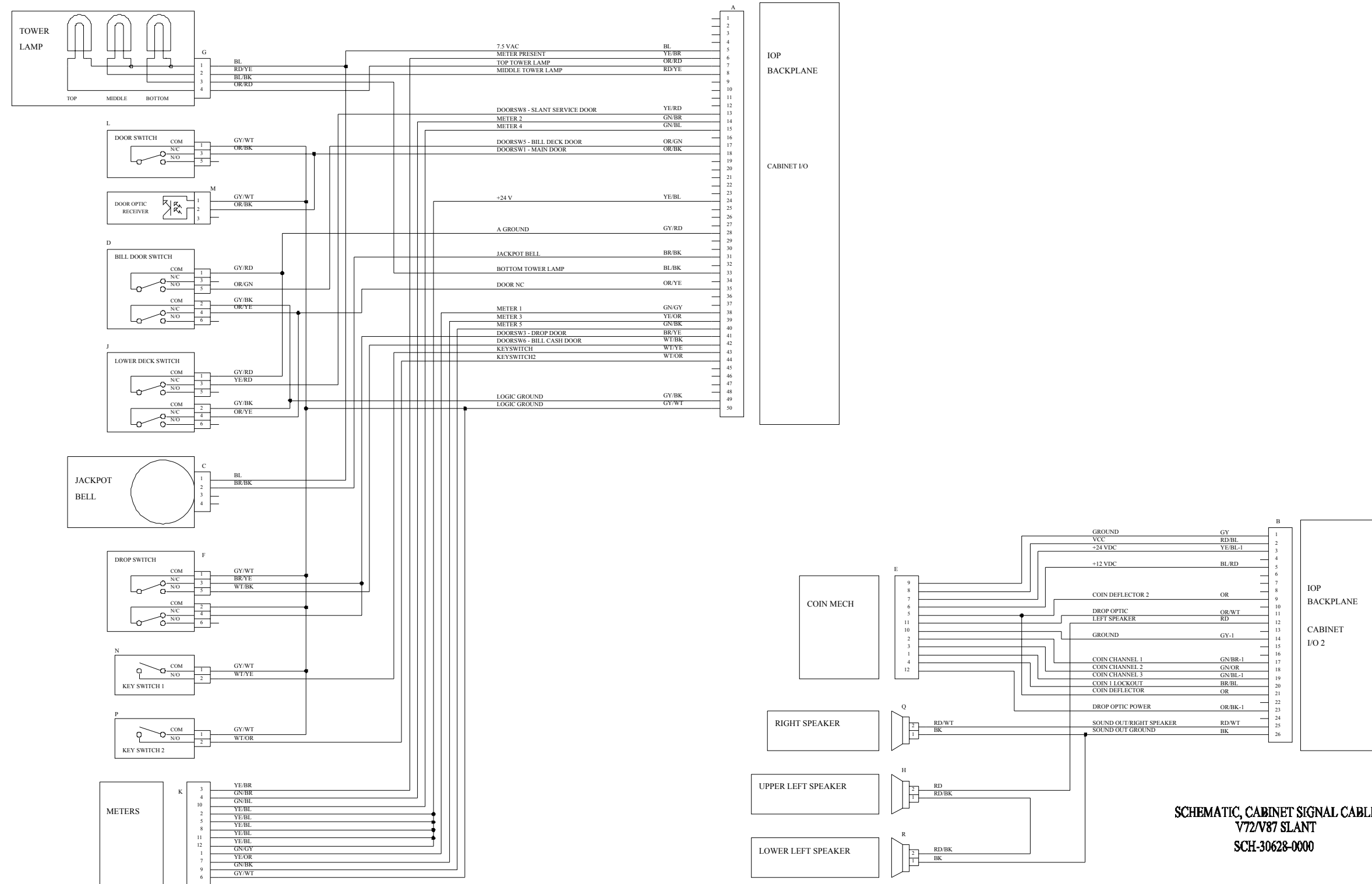


SCHMATIC, PC I/O CABLE  
V87 SLANT  
SCH-30629-0000

### Cabinet (cont)

Cabinet Signal  
CBL-30628-0001

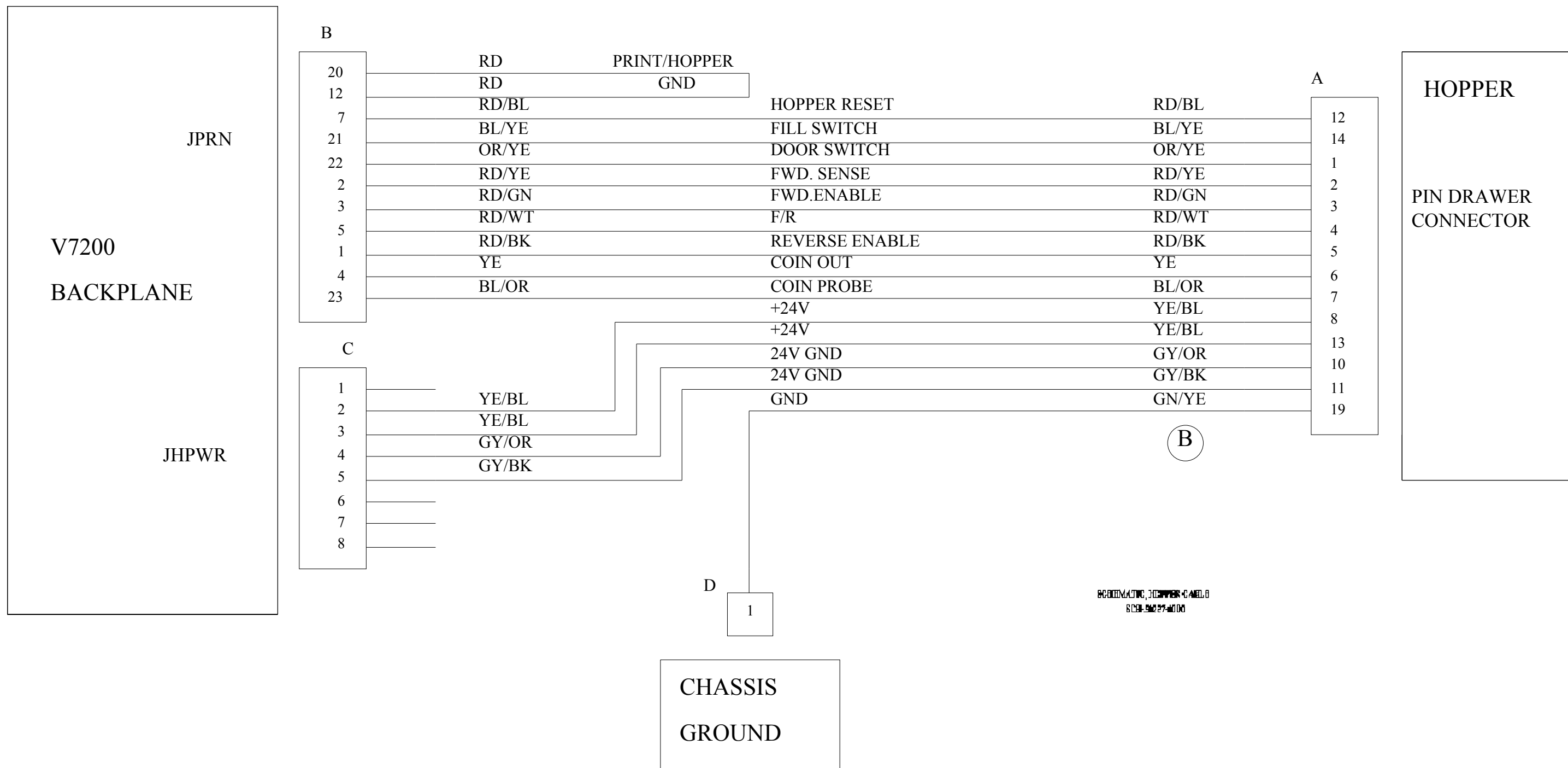
Slant



**SCHEMATIC, CABINET SIGNAL CABLE  
V72/V87 SLANT  
SCH-30628-0000**

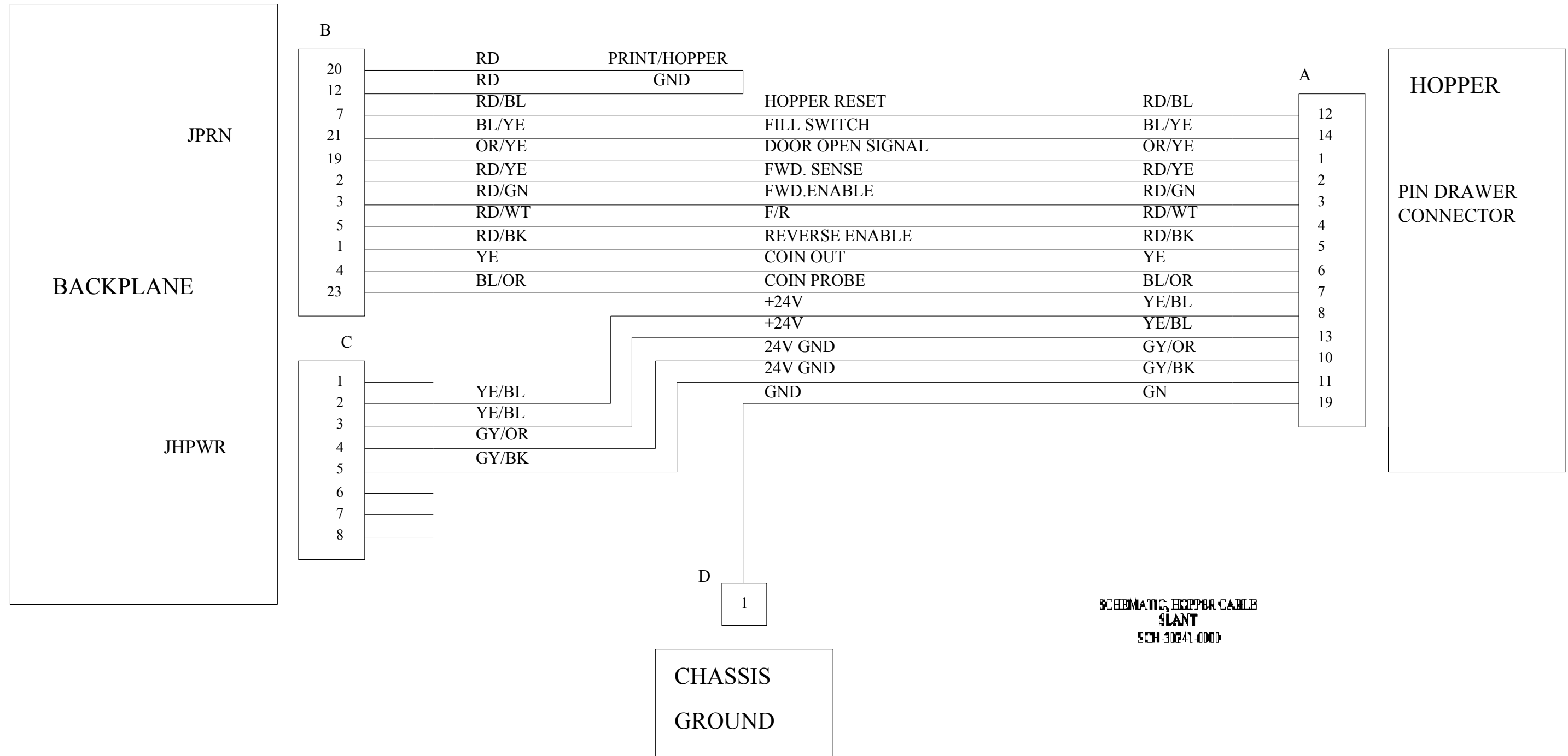
**Cabinet (cont.)**

Hopper  
CBL-30227-0003  
☑V8717/☑V8719



**Cabinet (cont.)**

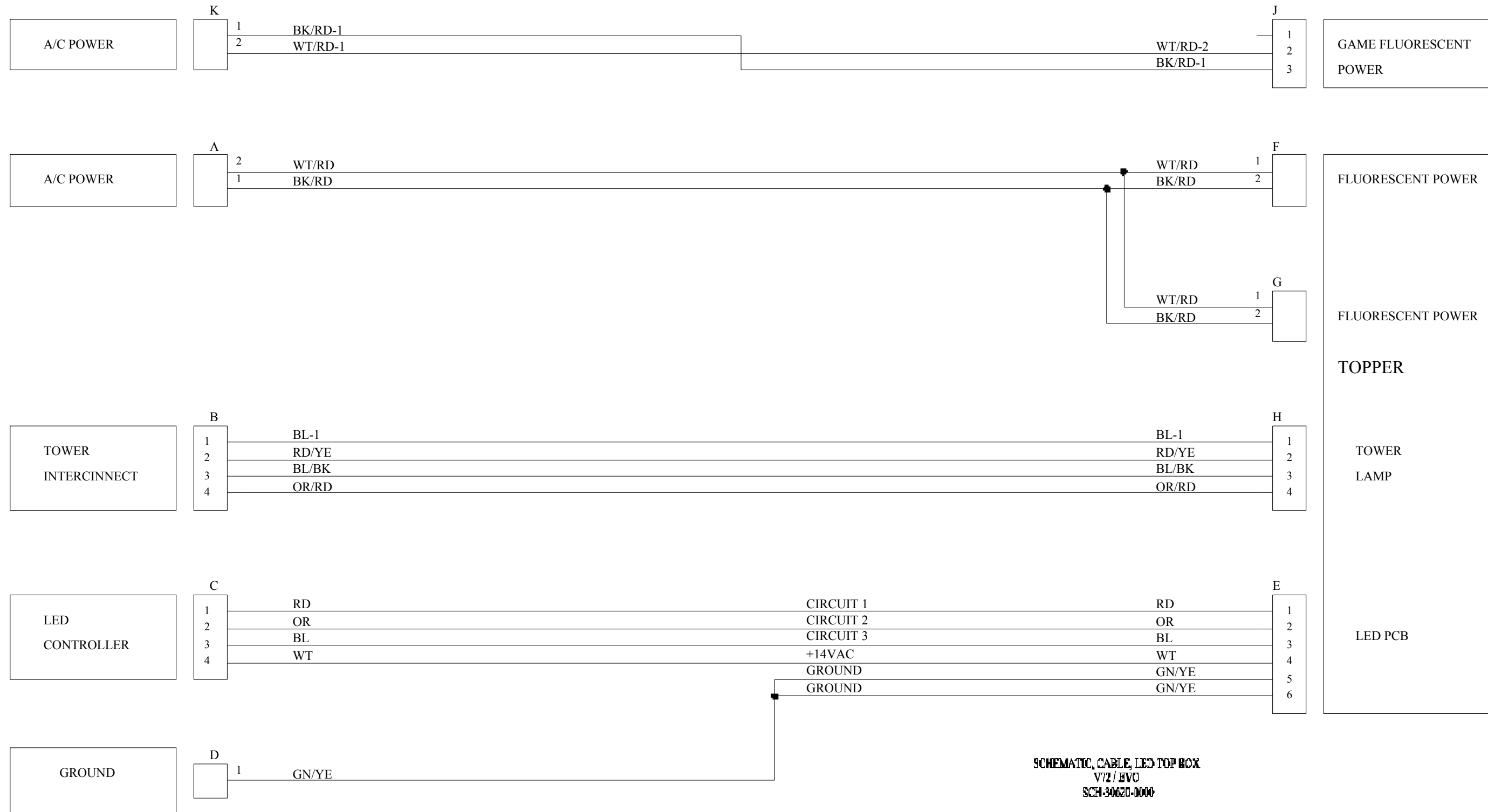
Hopper  
 CBL-30241-0001  
 Slant



**SCHEMATIC, HOPPER CABLE  
 SLANT  
 CBL-30241-0001**

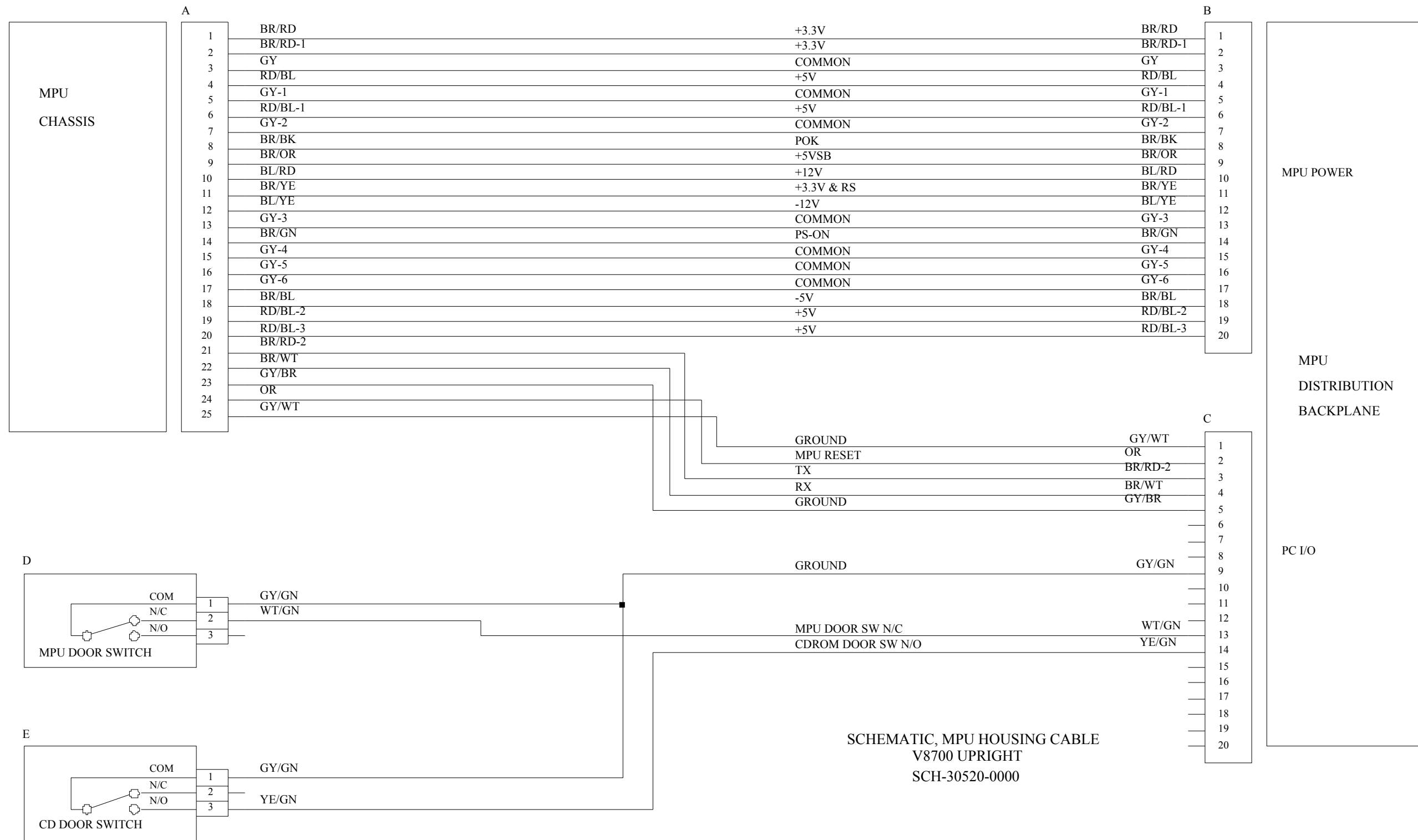
**Cabinet (cont.)**

LED Top Box  
CBL-30620-0001  
☑V8717 ☑V8719



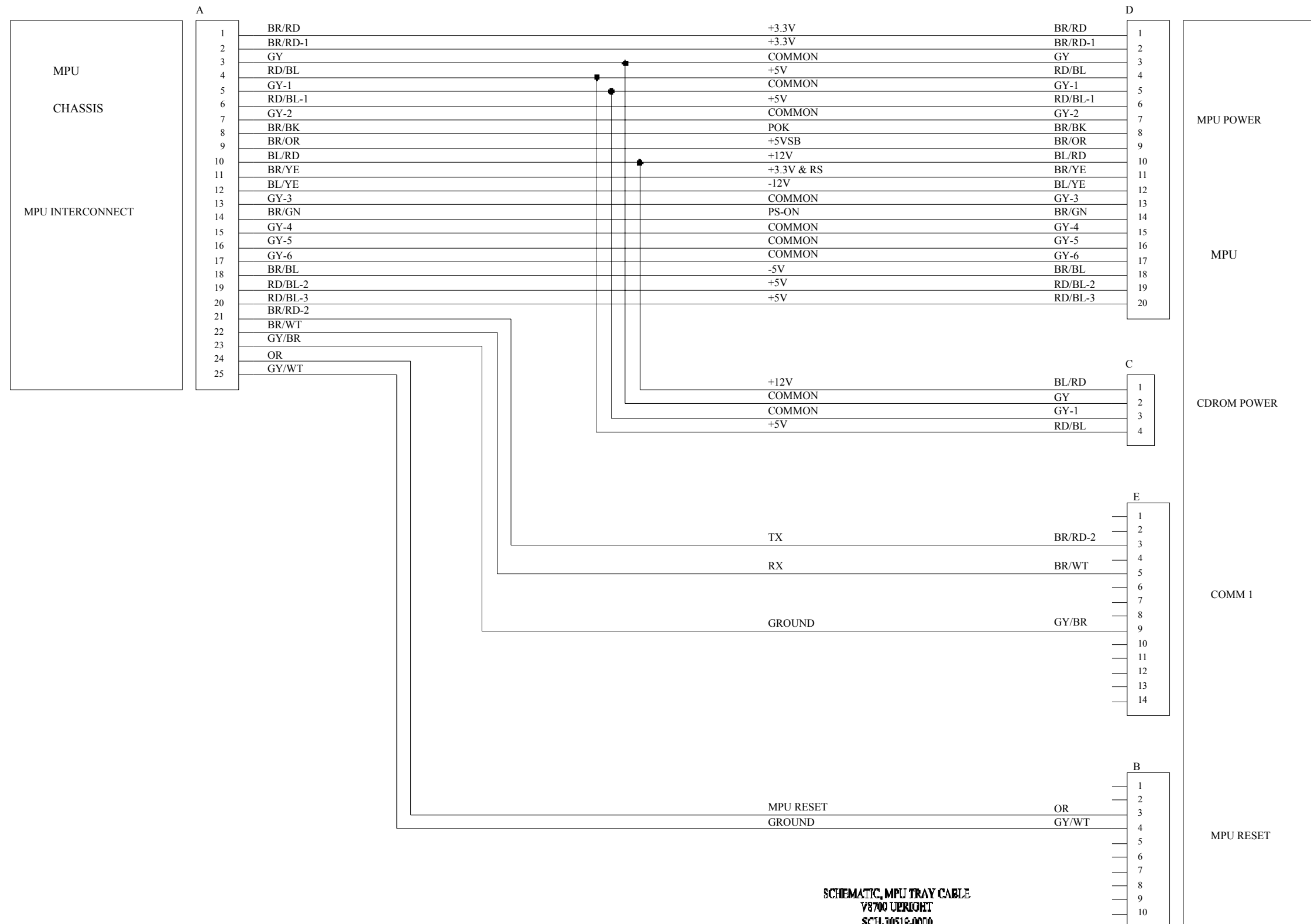
**Cabinet (cont.)**

MPU Housing  
 CBL-30520-0001  
V8717 V8719



**Cabinet (cont.)**

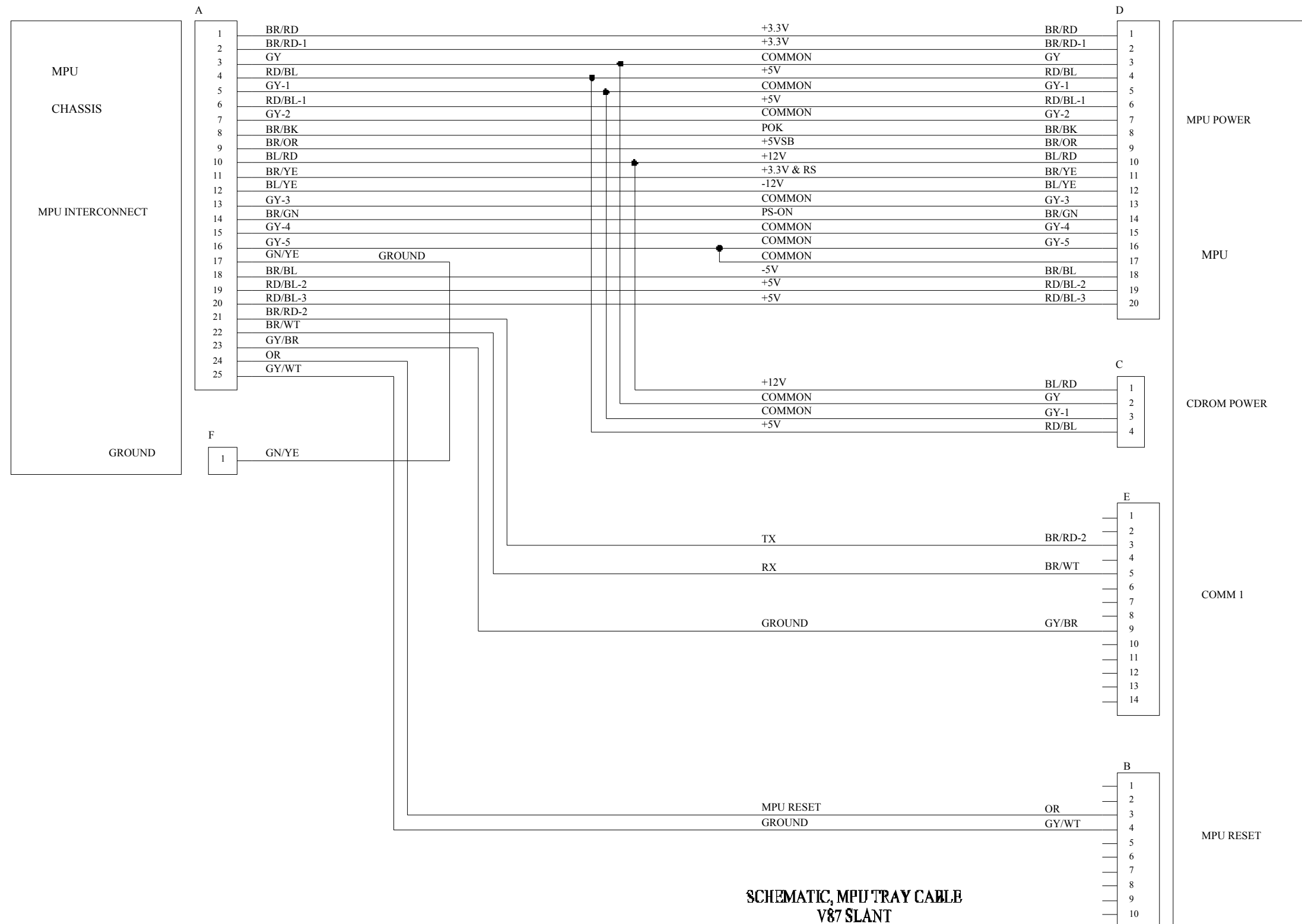
MPU Power/Reset  
 CBL-30519-0001  
V8717 V8719



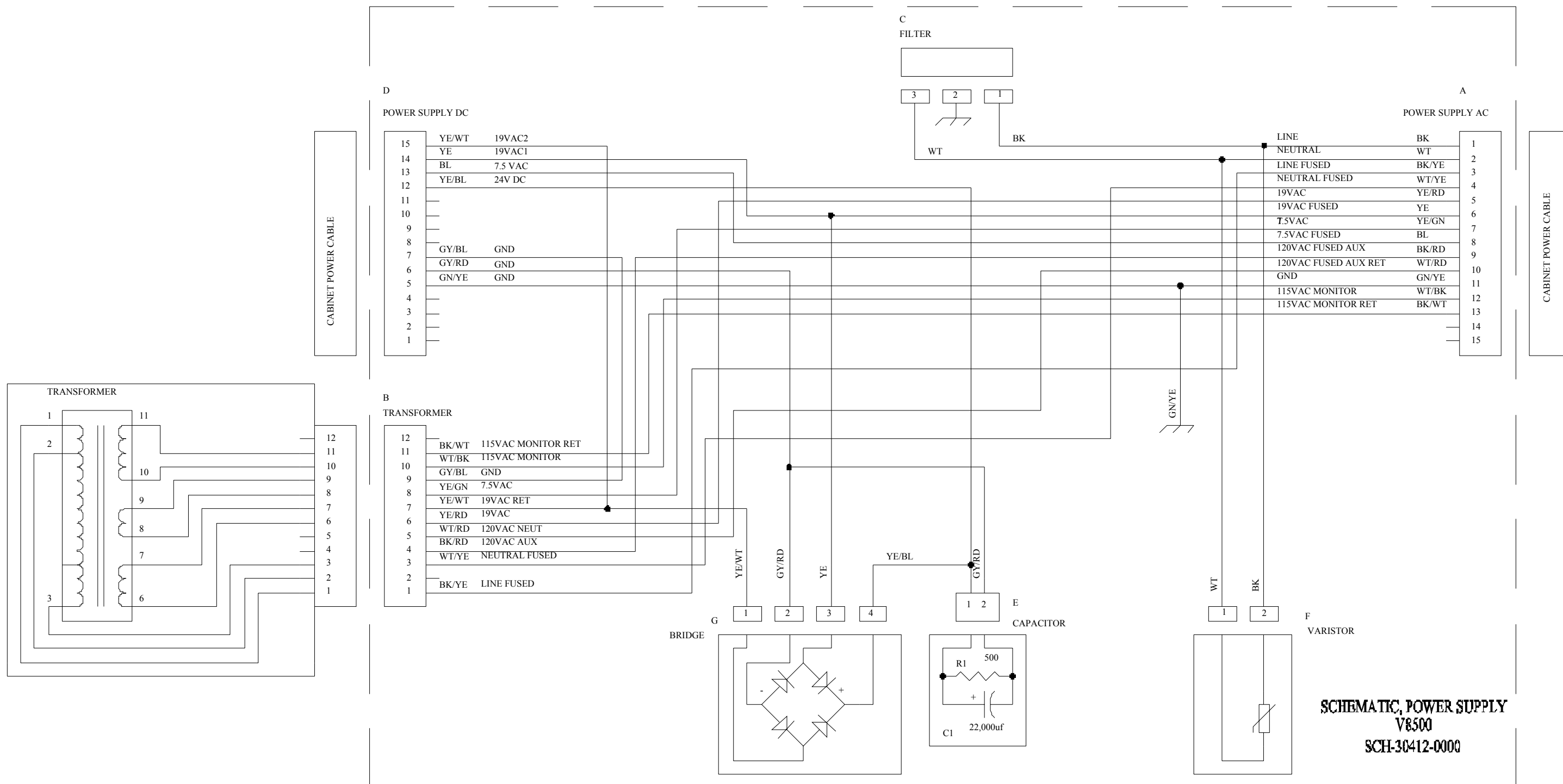
SCHEMATIC, MPU TRAY CABLE  
 V8700 UPRIGHT  
 SCH-30519-0000

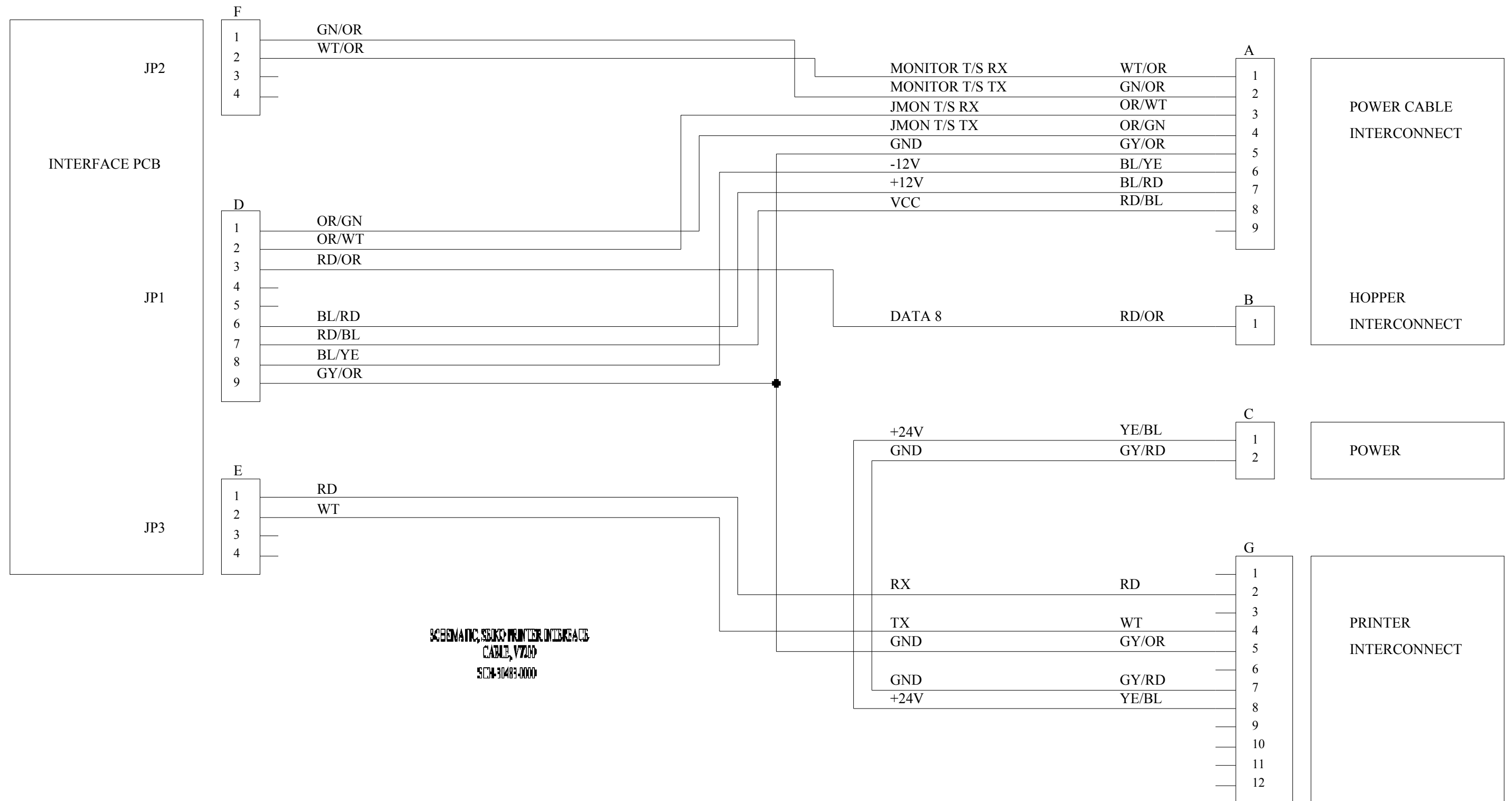


MPU Tray  
 CBL-30624-0001  
 Slant



SCHEMATIC, MPU TRAY CABLE  
 V87 SLANT  
 SCH-30624-0000

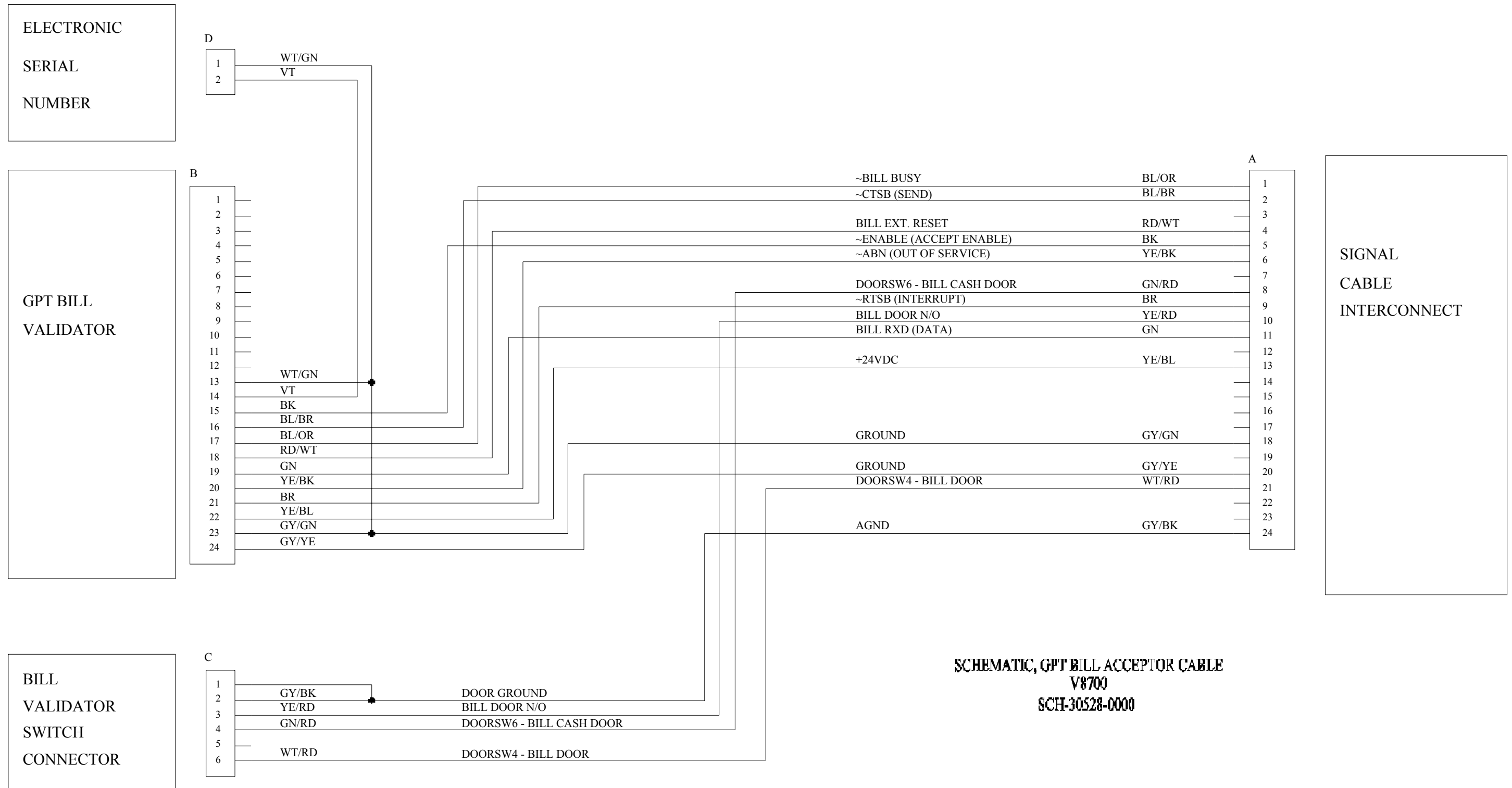




SCHEMATIC, SEIKO PRINTER INTERFACE  
CABLE, V700  
SCN-30483-0002

### Bill Acceptors

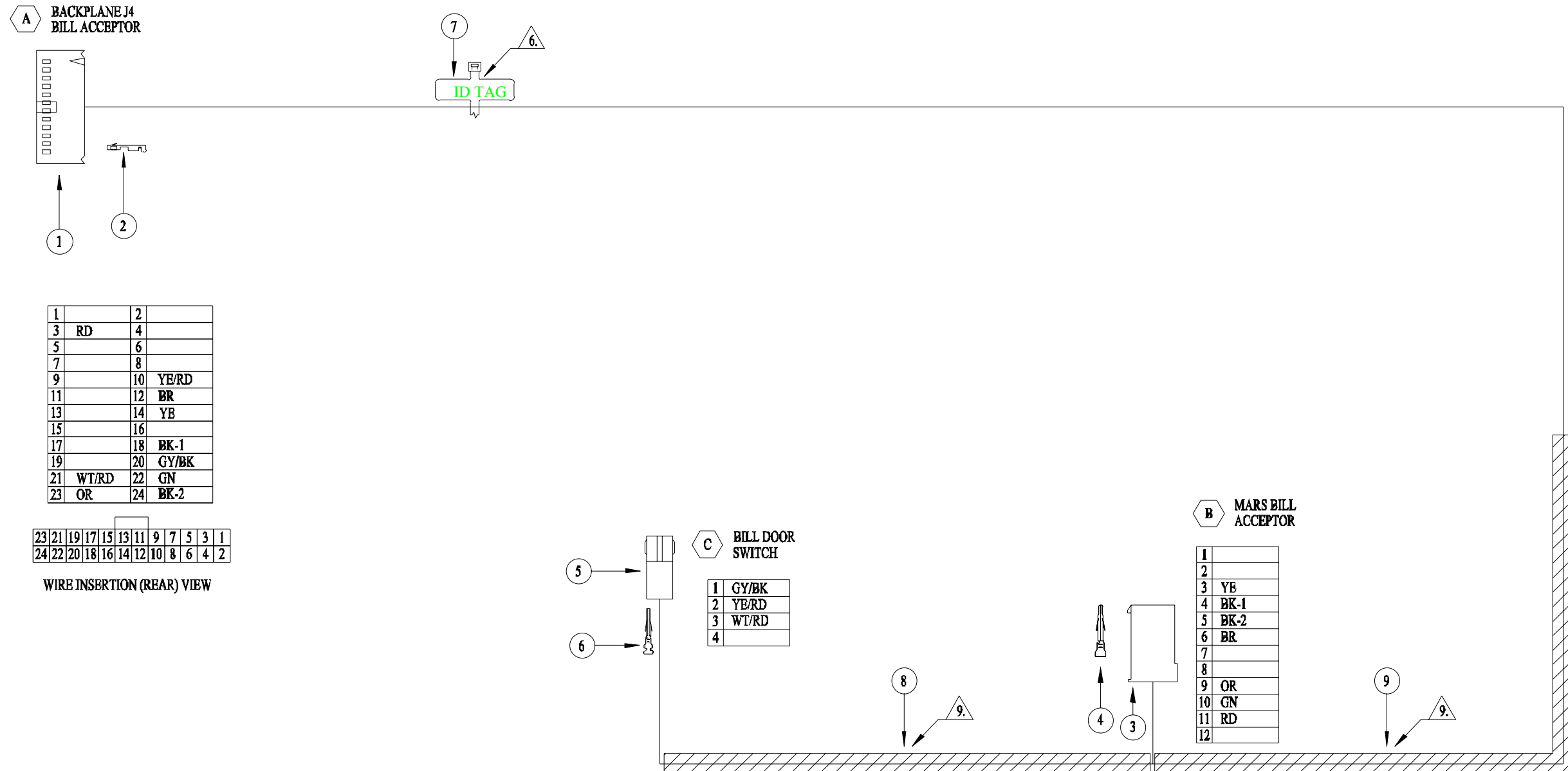
GPT Bill Acceptor  
 CBL-30528-0001  
V8717 V8719



**SCHEMATIC, GPT BILL ACCEPTOR CABLE  
 V8700  
 SCH-30528-0000**

### Bill Acceptors (cont.)

MARS Bill Acceptor  
 CBL-30305-0001  
V8717 V8719 Slant



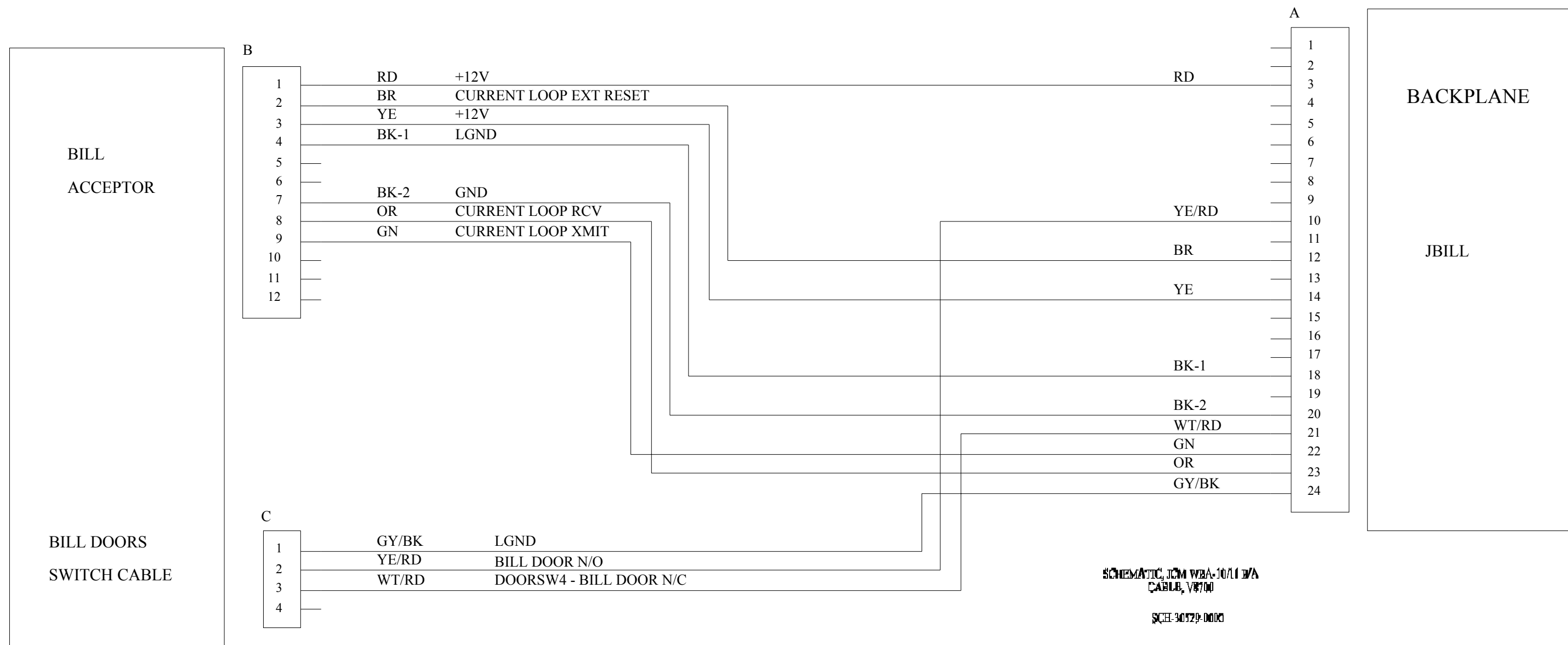
WIRE RUNNING LIST

SEQ.	COLOR	FROM	TO	LENGTH	AWG	WRAP
1	BK-1	A-18	B-4	33.00"	22	SPIRAL
2	BK-2	A-24	B-5	33.00"	22	SPIRAL
3	BR	A-12	B-6	33.00"	22	SPIRAL
4	RD	A-3	B-11	33.00"	22	SPIRAL
5	OR	A-23	B-9	33.00"	22	SPIRAL
6	YE	A-14	B-3	33.00"	22	SPIRAL
7	GN	A-22	B-10	33.00"	22	SPIRAL
8	YE/RD	A-10	C-2	40.00"	22	SPIRAL
9	GY/BK	A-20	C-1	40.00"	22	SPIRAL
10	WT/RD	A-21	C-3	40.00"	22	SPIRAL

MATERIALS LIST

REF.	PART NUMBER	DESCRIPTION	QTY.
1	E-01011-0124	HOUSING, DUAL ROW, 24 CIRCUIT, CENTER KEY	1
2	E-00671-0003	CONTACT, MOD IV, 24-20 AWG.	10
3	E-00765-0212	RECEPTACLE, MINI MATE-N-LOK, 12 CIRCUIT	1
4	E-00765-0200	TERMINAL, PIN, MINI MATE-N-LOK, 22-18 AWG	7
5	E-00810-0016	RECEPTACLE, .062, MOLEX, 4 CIRCUIT	1
6	E-00810-0025	TERMINAL, FEMALE, .062, MOLEX	3
7	E-00647-0020	MARKER TIE, ID TAG	1
8	M-01777-5601	SPIRAL WRAP, 1/4" DIA.	-
9	M-01777-5602	SPIRAL WRAP, 3/8" DIA.	-
10	E-00647-0004	CABLE TIE, 3/32" X 3 7/8"	-

CABLE, B/A, MARS,  
 S6000 SLANT TOP  
 CBL-30305-0001

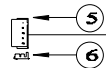


### Bill Acceptors (cont.)

WBA-12/13 Sentry Bill Acceptor  
 CBL-30636-0001  
V8717 V8719

D JCM BILL LED

1	RD
2	BK
3	
4	
5	BR-1



WIRE RUNNING LIST

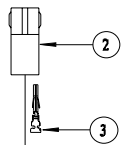
SEQ.	COLOR	FROM	TO	LENGTH	AWG	WRAP
1	GY/BK	A-24	C-1	12.00"	22	---
2	YE/RD	A-10	C-2	12.00"	22	---
3	WT/RD	A-21	C-3	12.00"	22	---
4	BK	B-2	A-20*	11.00"	26	---
5	BK	A-20*	D-2	93.00"	26	SPIRAL
6	BR	A-12	B-3	11.00"	26	---
7	BR-1	B-19	D-5	98.00"	26	SPIRAL
8	RD	B-1	A-3*	11.00"	26	---
9	RD	A-3*	D-1	93.00"	26	SPIRAL
10	OR	A-23	B-4	11.00"	26	---
11	YE	A-14	B-5	11.00"	26	---
12	YE-1	B-13	E-2	7.00"	26	---
13	GN	A-22	B-6	11.00"	26	---
14	BL	A-18	B-7	11.00"	26	---
15	VT	B-8	E-1	7.00"	26	---

MATERIALS LIST

REF.	PART NUMBER	DESCRIPTION	QTY.
1	E-00810-0022	RECEPTACLE, MOLEX, .062, 24 CIRCUIT	1
2	E-00810-0016	RECEPTACLE, .062, MOLEX, 4 CIRCUIT	1
3	E-00810-0025	TERMINAL, SOCKET, .062, 18-24 AWG	8
4	E-00810-0026	TERMINAL, SOCKET, .062, 24-30 AWG	5
5	E-01140-0105	CONNECTOR, 1ST ZH HOUSING, 5 CIRCUIT	1
6	E-01140-0001	CONTACT, 1ST ZH CRIMP, 1.5MM	3
7	P-00405-0144	SPLICE, PICABOND, 22-26 AWG	1
8	E-00664-0577	JAE DRAWER PLUG ASSEMBLY PRBWIRBD	1
9	E-00885-0004	BUTT SPLICE, 26-22 AWG	2
10	M-01777-5600/6	SPIRAL WRAP	-
11	E-00647-0020	MARKER TIE, ID TAG	1
12	E-00647-0004	CABLE TIES	-

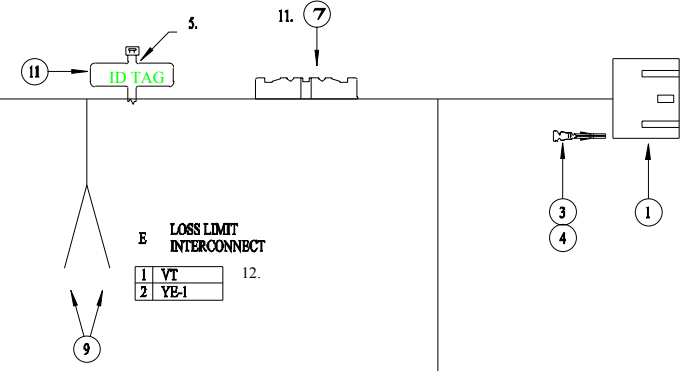
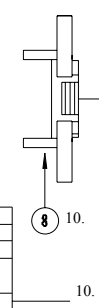
C BILL DOOR SWITCH

1	GY/BK
2	YE/RD
3	WT/RD
4	



B JCM BILL ACCEPTOR

1	RD
2	BK
3	BR
4	OR
5	YE
6	GN
7	BL
8	VT
9	
10	
11	
12	
13	YE-1
14	
15	
16	
17	
18	
19	BR-1
20	



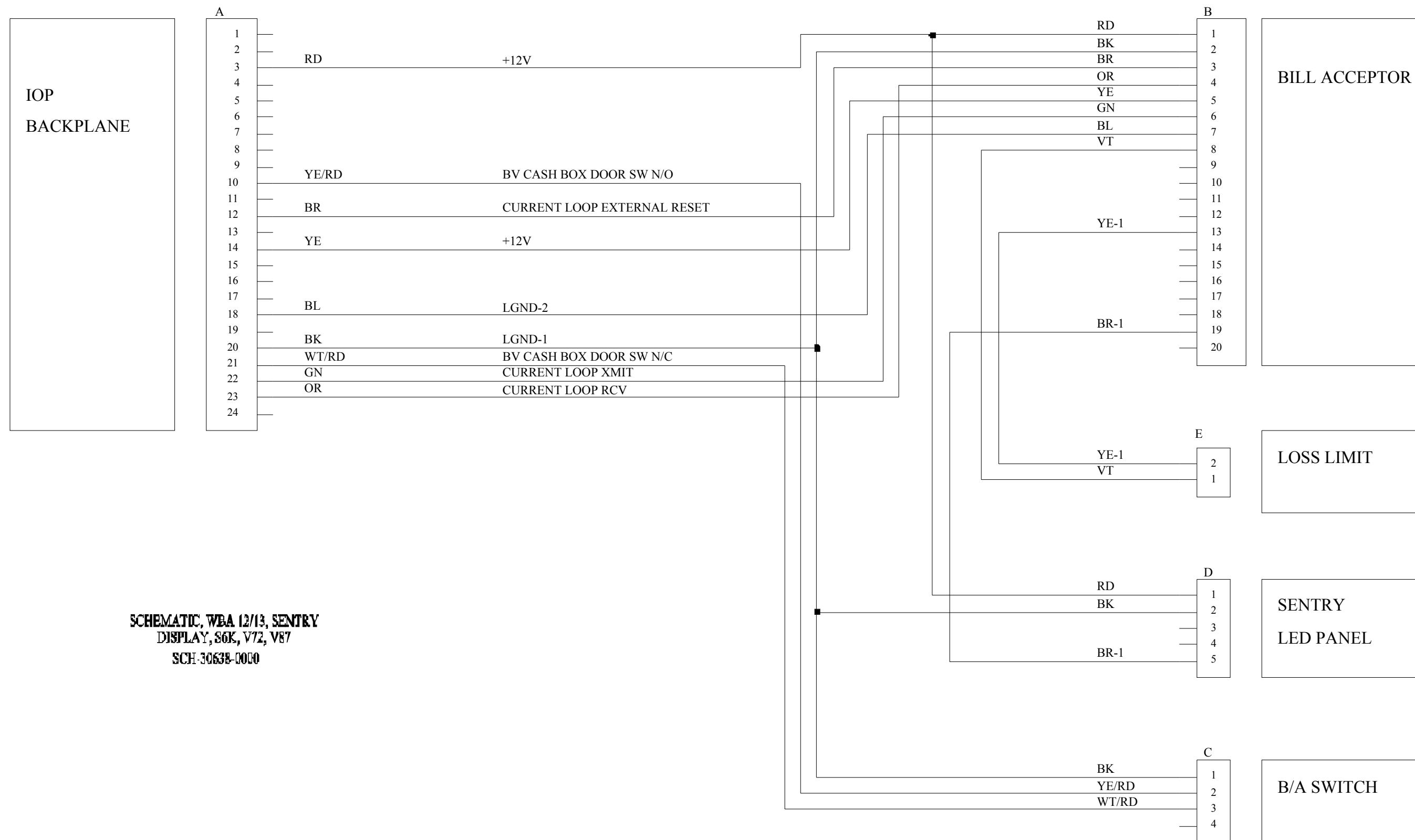
A SIGNAL CABLE INTERCONNECT

1		13	
2		14	YB
3	RD*	15	
4		16	
5		17	
6		18	BL
7		19	
8		20	BK*
9		21	WT/RD
10	YB/RD	22	GN
11		23	OR
12	BR	24	GY/BK

CABLE, WBA-12/13, W/ SENTRY V8700  
 CBL-30636-0001

WBA-12/13 Sentry Bill Acceptor  
CBL-30638-0002

Slant

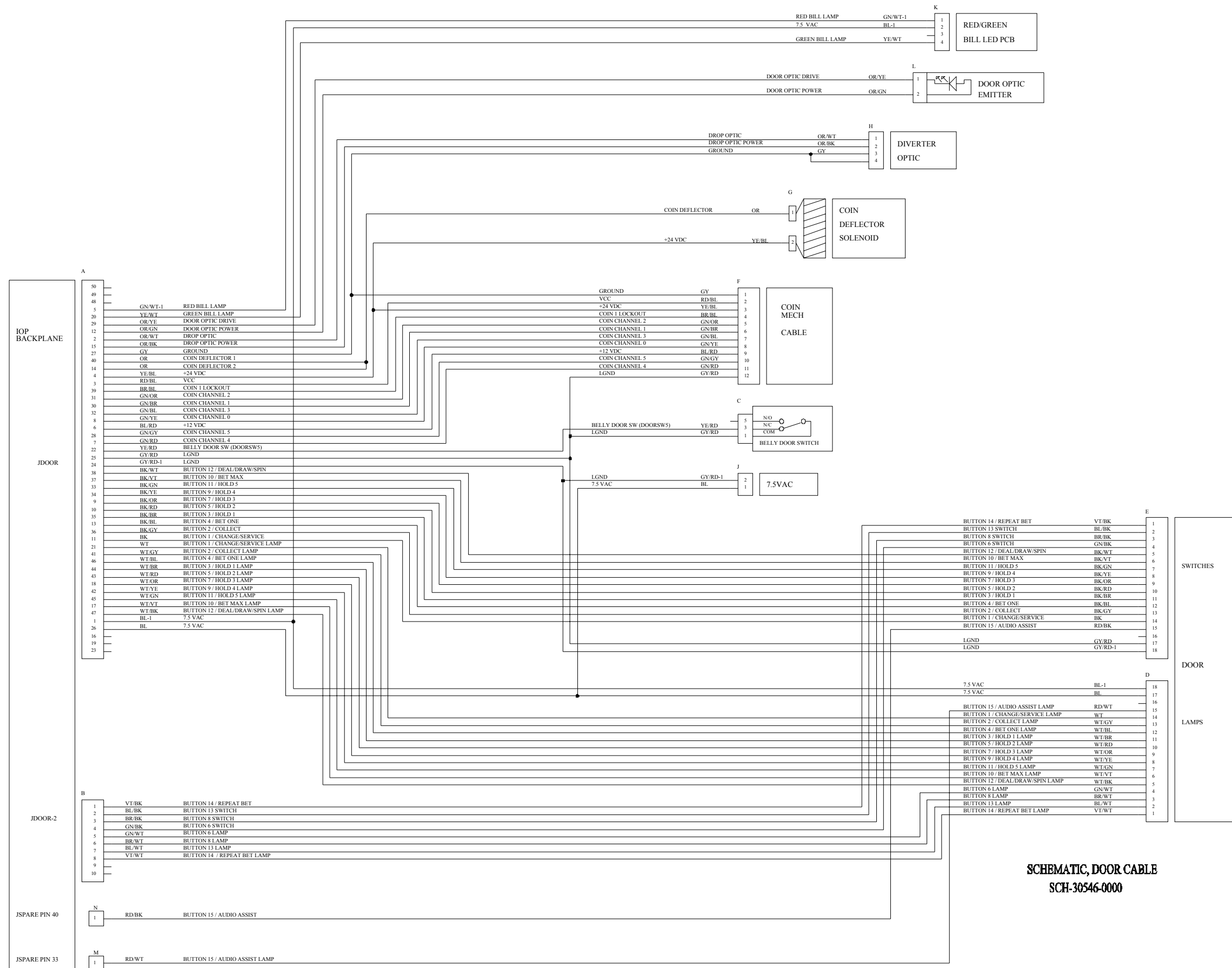


SCHEMATIC, WBA 12/13, SENTRY  
DISPLAY, S6K, V72, V87  
SCH-30638-0000



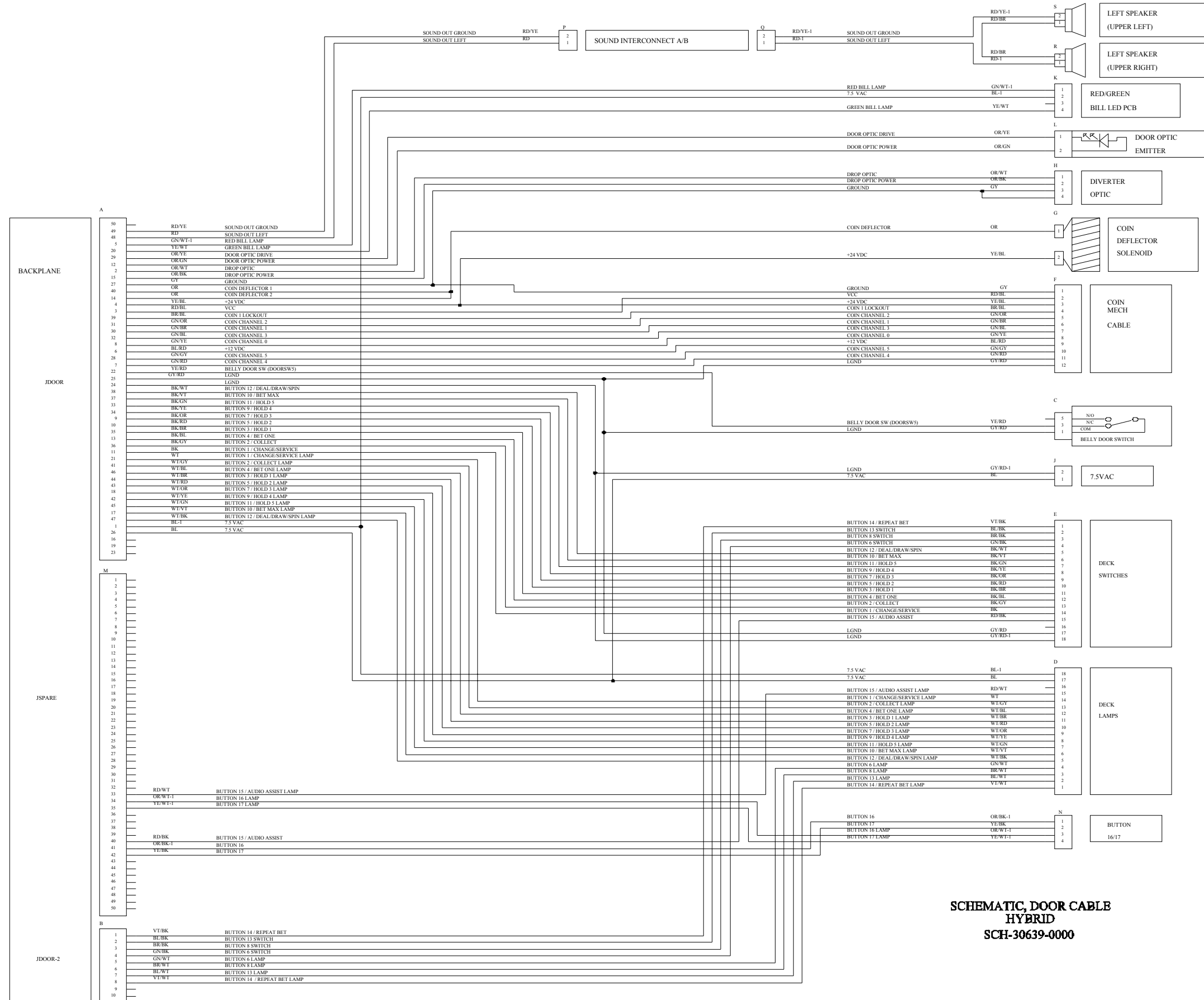
### Door

Door  
CBL-30546-0001  
V8717 V8719



Door (cont.)

Door, With Speakers  
CBL-30639-0001  
V8717

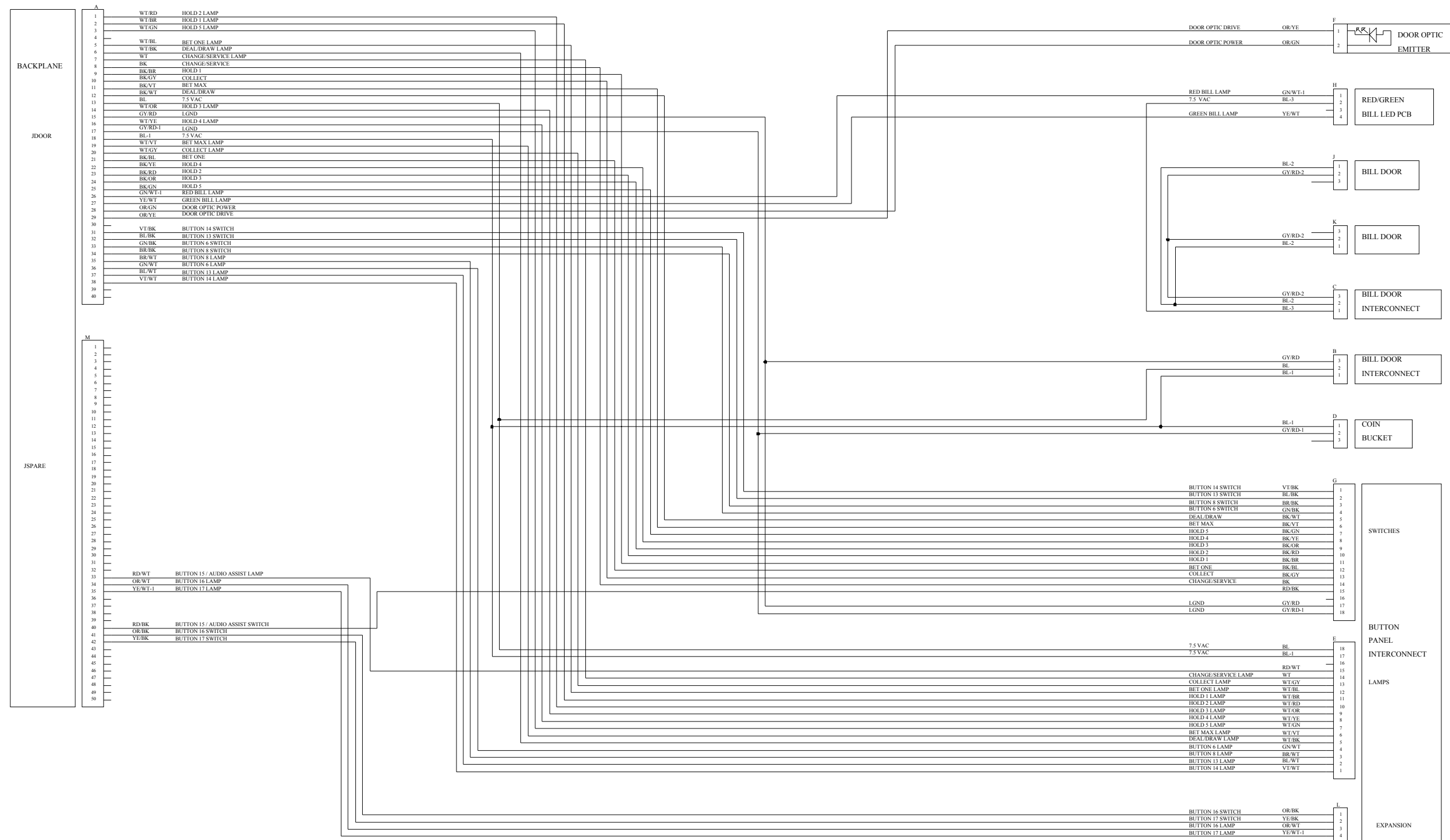


SCHEMATIC, DOOR CABLE  
HYBRID  
SCH-30639-0000



# Door (cont.)

Door (Deck)  
CBL-30627-0001  
 Slant



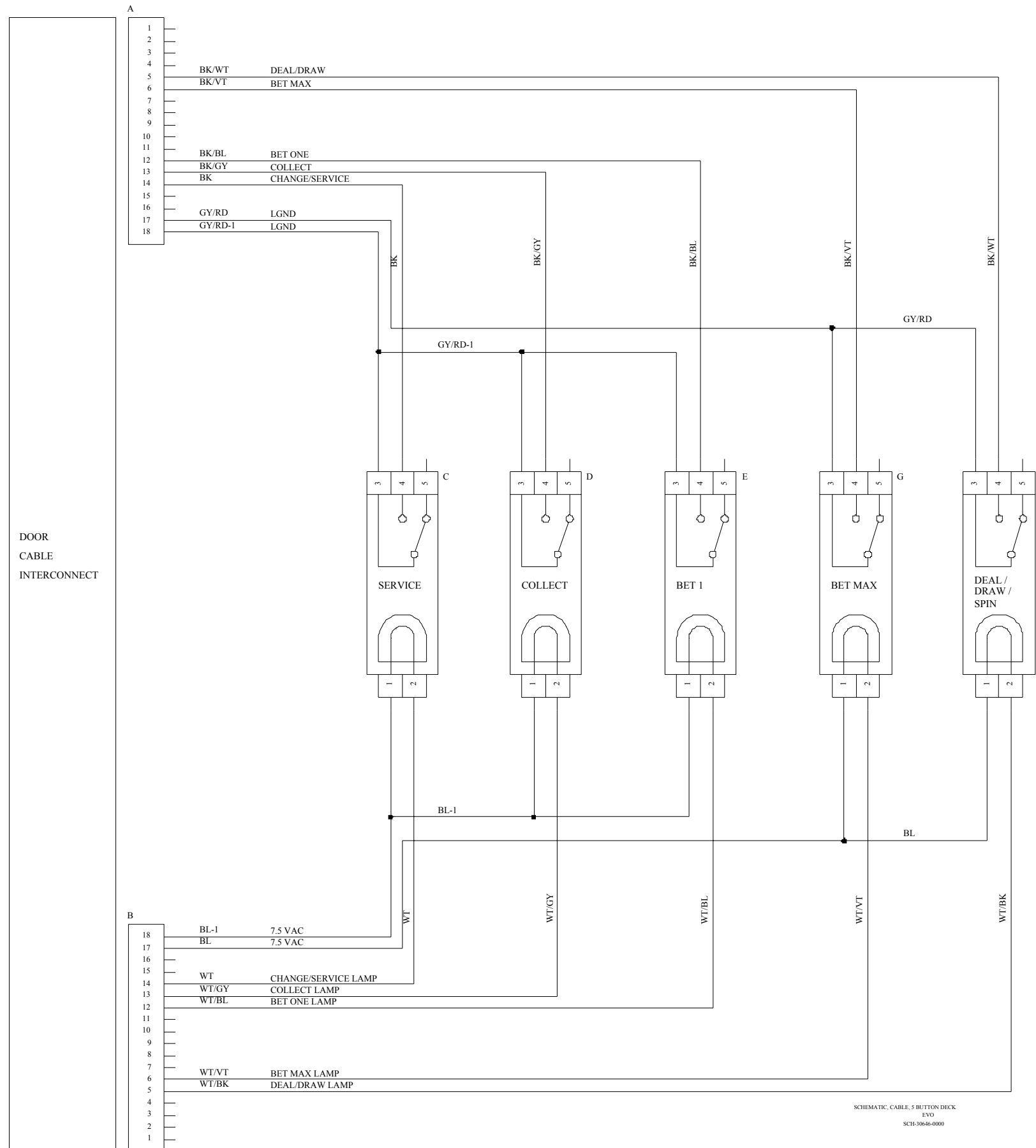
SCHEMATIC, DECK BUTTON CABLE  
V87 SLANT  
SCH-30627-0000

**Door (cont.)**

Player Panel (Deck), 5-Button

CBL-30646-0001

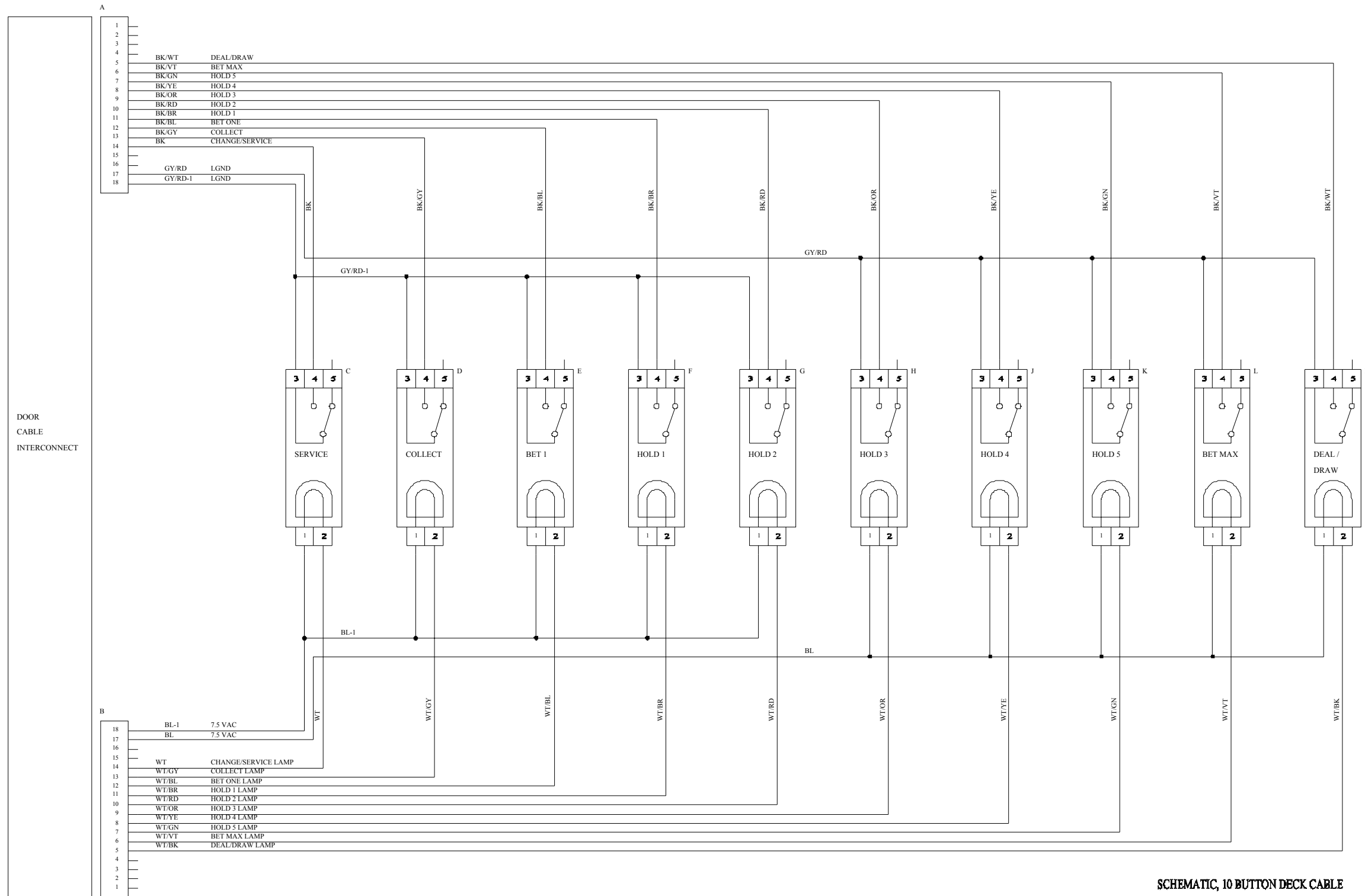
☑V8717 ☑V8719



**Door (cont.)**

Player Panel (Deck), 10-Button  
 CBL-30425-0001  
V8717

Player Panel (Deck), 10-Button  
 CBL-30425-0005  
Slant



**SCHEMATIC, 10 BUTTON DECK CABLE**  
 SCH-30425-0000

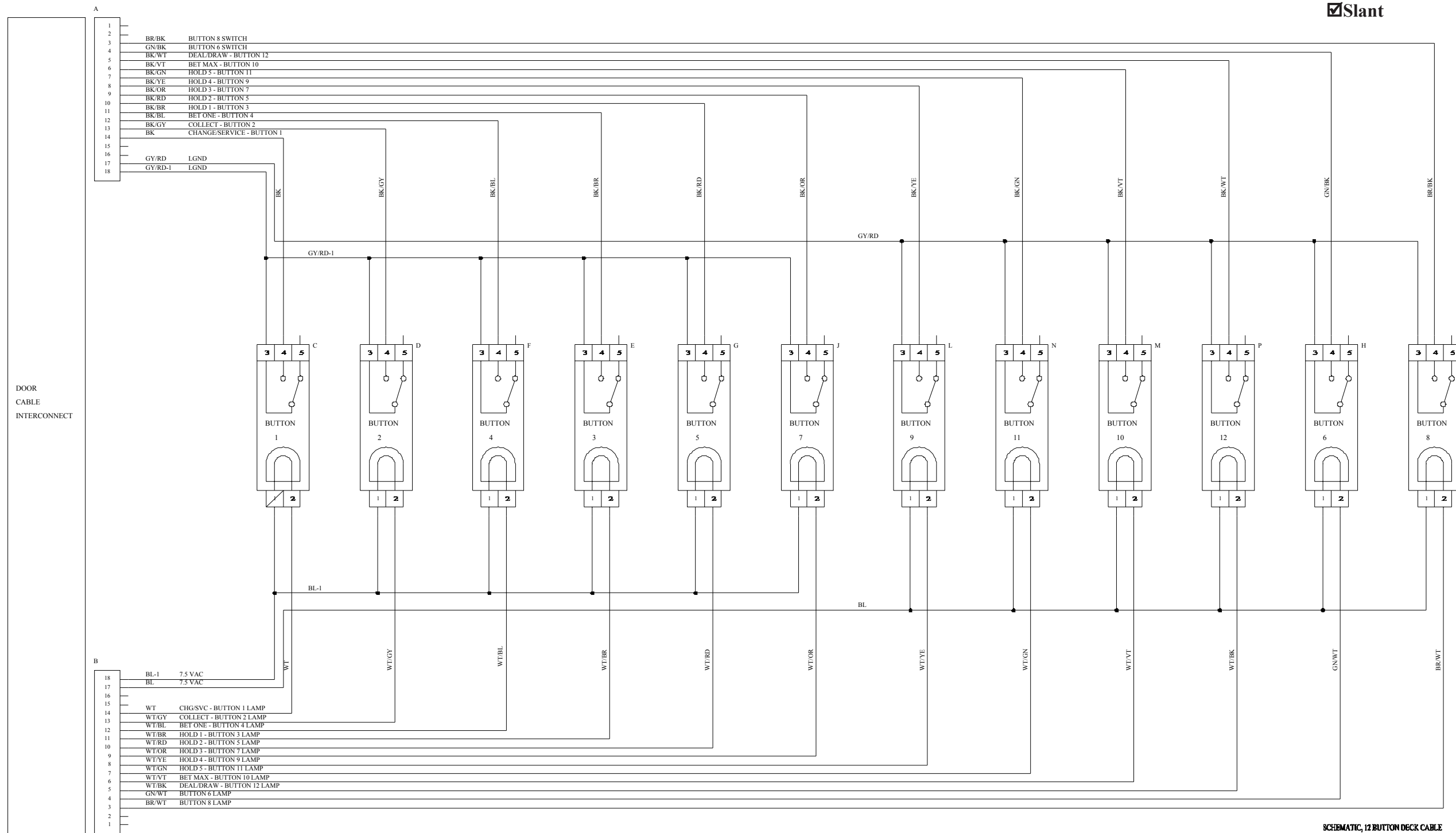
**Door (cont.)**

Player Panel (Deck), 12-Button  
CBL-30426-0001

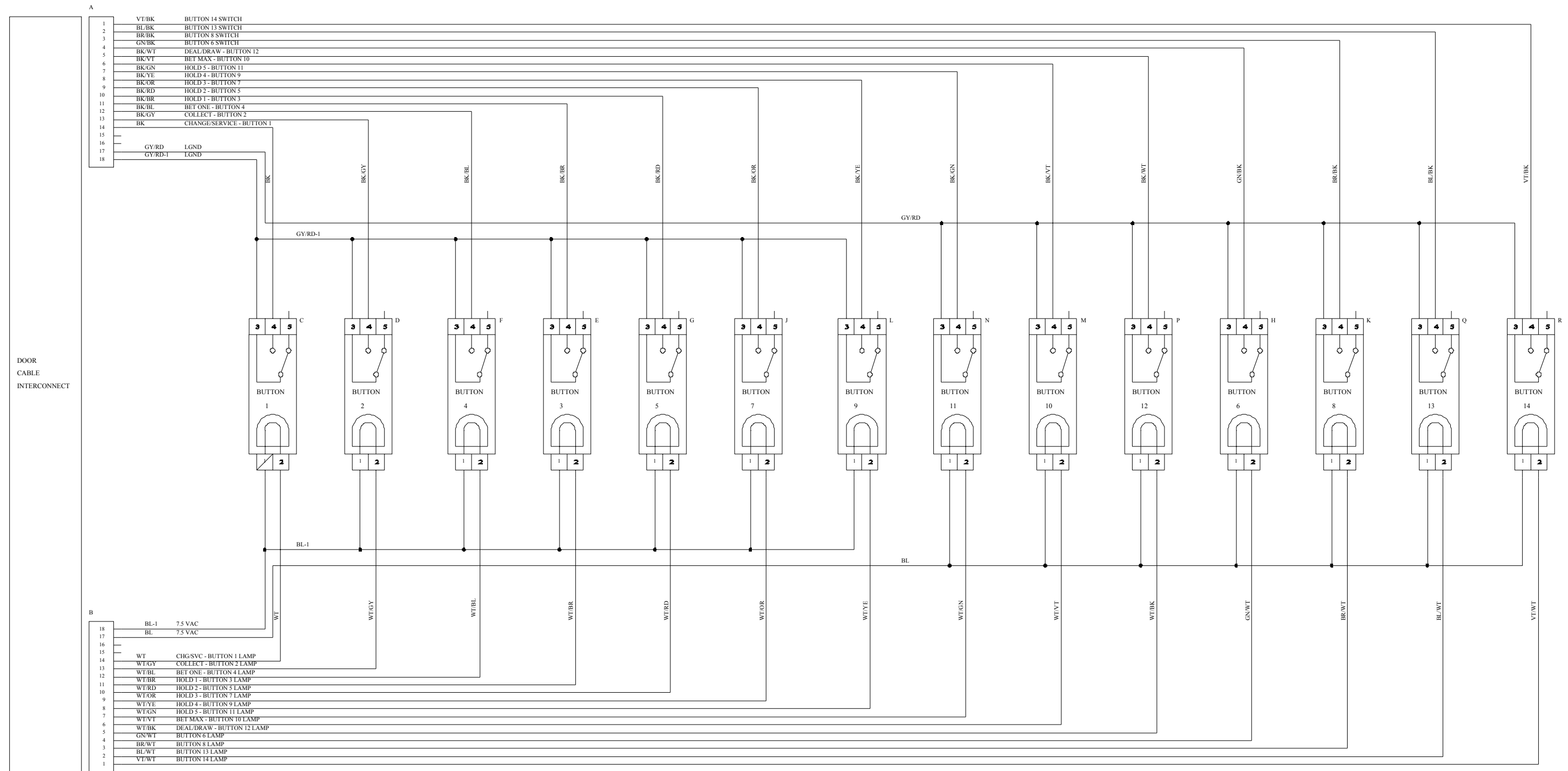
V8717 V8719

Player Panel (Deck), 12-Button  
CBL-30426-0003

Slant



SCHMATIC, 12 BUTTON DECK CABLE  
SCE-30426-0000



SCHMATIC, 14 BUTTON DECK CABLE

SCH-30427-0000

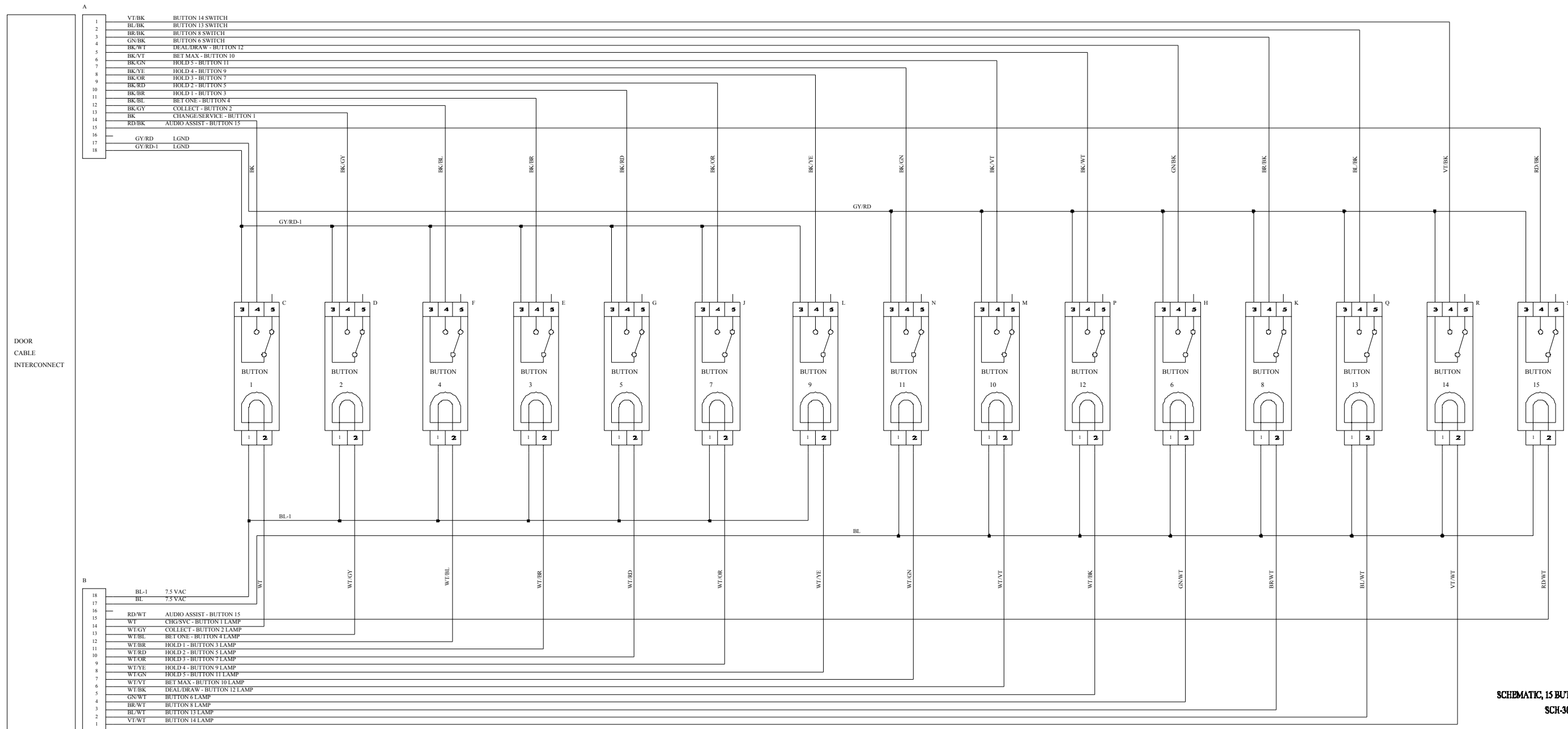
**Door (cont.)**

Player Panel (Deck), 15-Button  
CBL-30586-0001

☑V8717 ☑V8719

Player Panel (Deck), 15-Button  
CBL-30586-0002

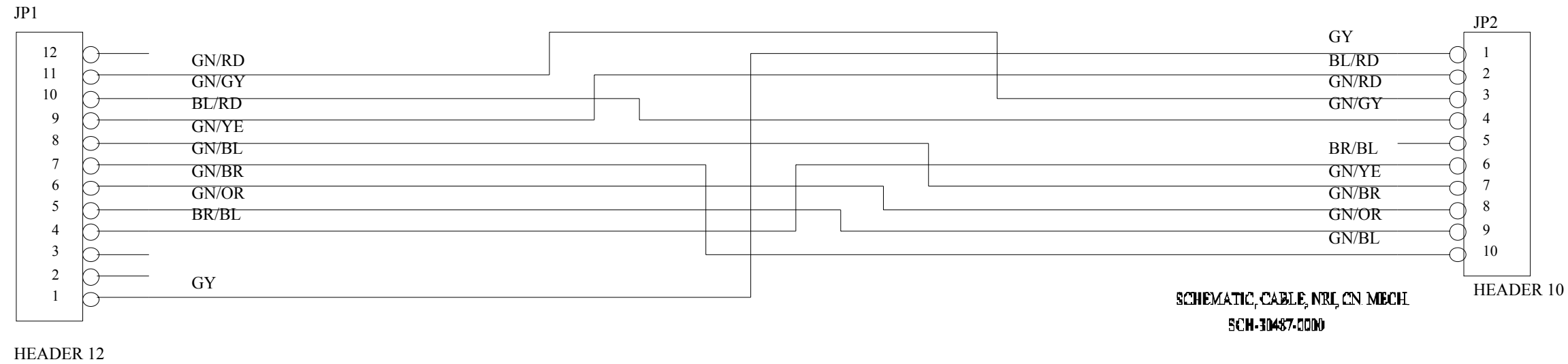
☑Slant



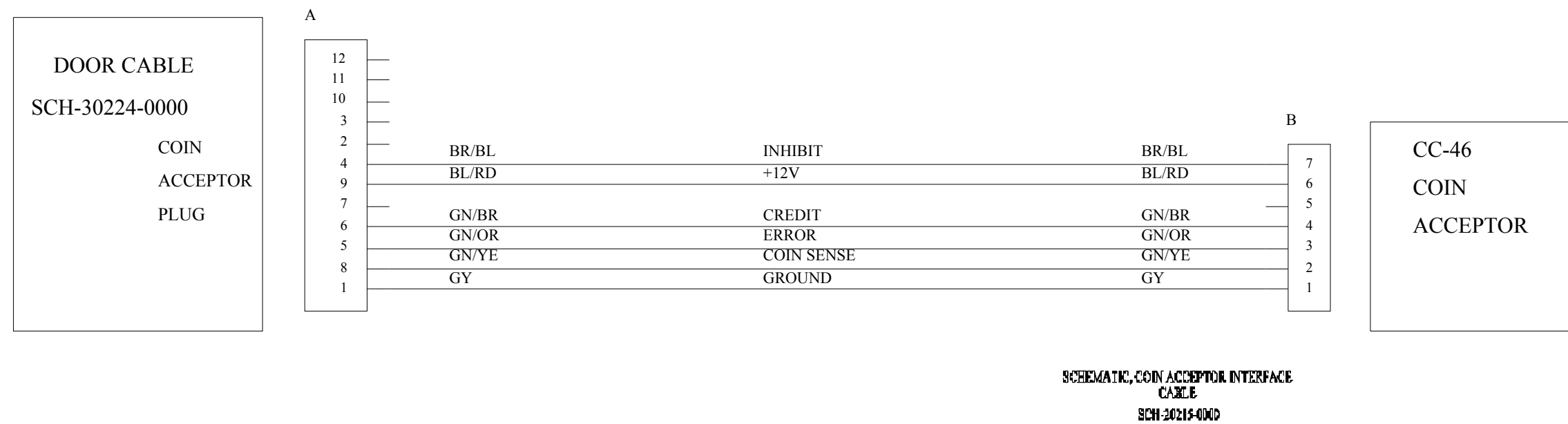


### Coin Acceptor

Coin Acceptor, NRI  
 CBL-30487-0001  
V8717 V8719



Coin Acceptor CC-46/IDX  
 CBL-20215-0001  
V8717 V8719



**Coin Acceptor (cont.)**

Coin Acceptor, COD to CC-16

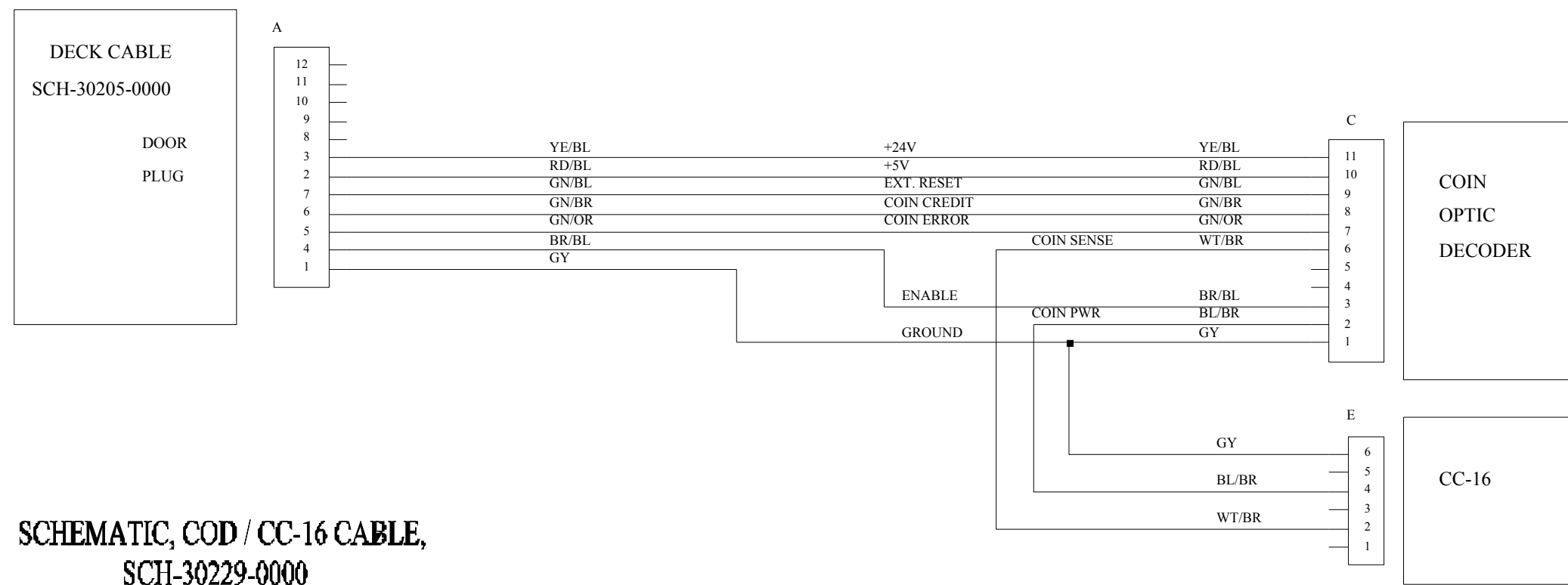
CBL-30229-0001

V8717 V8719 Slant

COD Condor,

CBL-30229-0002

V8717 V8719



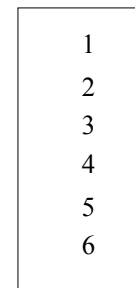
**SCHEMATIC, COD / CC-16 CABLE,  
SCH-30229-0000**



**Coin Acceptor (cont.)**

Coin I/O  
CBL-30489-0001  
 Slant

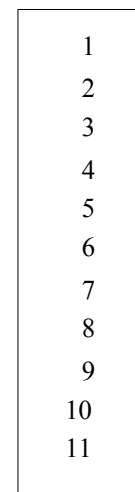
COIN COMP.



1 WT/BR COIN SENSE  
2  
3 YE COIN POWER  
4  
5 GY/OR  
6

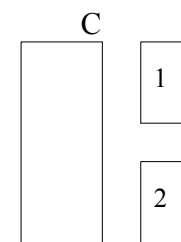
B

COD BOARD



1 GY/VT  
2 YE  
3 BR/BL  
4  
5  
6 WT/BR  
7 WT/YE  
8 WT/BK  
9 OR/WT  
10 RD/BL  
11 YE/BL

D



1 YE/BL  
2 OR/BK

COIN DIVERTER

GND

GND

COIN ENABLE  
COIN ERROR  
COIN CREDIT  
EXT. RESET  
+5 VDC  
+24 V

DEFLECTOR SOL

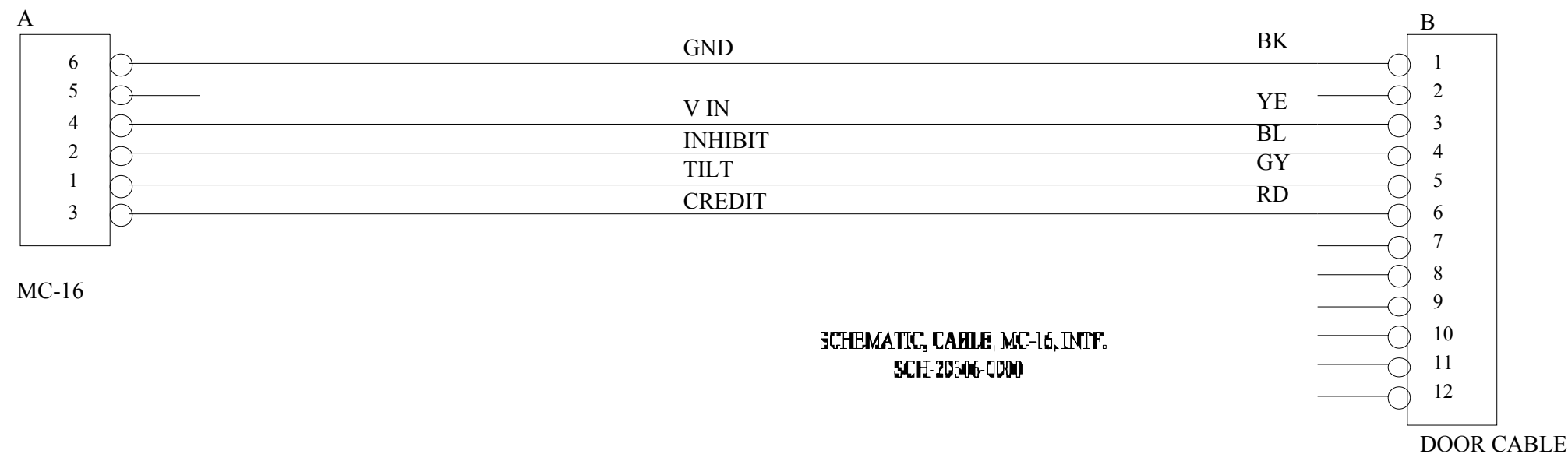
A

1 OR/WT  
2 WT/BK  
3 WT/YE  
4 BR/BL  
5 OR/BK  
6  
7 YE/BL  
8 RD/BL  
9 GY/OR  
10 GY/VT  
11  
12

DECK CABLE

**SCHEMATIC, CABLE, COIN I/O.**  
**SCH-30489-0000**

MC-16 Interface  
CBL-20306-0001  
V8717 V8719



MC-16 Interface  
CBL-20307-0001  
Slant

