



---

**ProSlot<sup>®</sup> 6000**

---

## MODULE 3

MK3-S6MOD-0004

**ASSEMBLIES, PARTS AND HARDWARE**

Bally Gaming and Systems

©2003 BALLY GAMING, INC. ALL RIGHTS RESERVED

6601 South Bermuda Road, Las Vegas, NV 89119

For Customer Service and information, call or FAX:  
1-877-GO-BALLY (877-462-2559) in the U.S. and Canada  
+1-702-896-7772 outside the U.S.  
896-7772 in Las Vegas  
FAX: +1-702-896-7710  
or visit our website at <http://www.ballygaming.com>

# Module 3 - Assemblies, Parts and Hardware

## Table of Contents

---

<b>ProSlot® 6000 .....</b>	<b>3-6</b>
<b>Locks and Cams .....</b>	<b>3-6</b>
Second Key Switch/Shipping Locks M-00281-(SERIES) .....	3-6
Lock Requirements P-00758-(SERIES) .....	3-6
<b>Circuit Boards AS-03356-(SERIES) .....</b>	<b>3-6</b>
<b>Programmable Devices and Batteries .....</b>	<b>3-7</b>
<b>Cables .....</b>	<b>3-7</b>
<b>Coin Head Back Plates C-0411X-(SERIES) .....</b>	<b>3-8</b>
<b>Optic Board Mounting Block M-01755-(SERIES) .....</b>	<b>3-8</b>
<b>Denomination Change Kits K-00811-(SERIES) .....</b>	<b>3-9</b>
<b>XS1200 Hopper Coin-Specific Parts .....</b>	<b>3-9</b>
<b>Asahi Seiko Hopper Coin-Specific Parts .....</b>	<b>3-9</b>
<b>Coin Acceptor Selections E-00887-(SERIES) .....</b>	<b>3-10</b>
Coin Mechanisms, Inc. RFI CC-16 E-00887-02XX .....	3-10
Coin Mechanisms, Inc. IC-16 E-00887-1XXX .....	3-10
Coin Controls, Inc. Condor E-00887-2XXX .....	3-11
Coin Mechanisms, Inc. MC-16 E-00887-6XXX .....	3-12
IDX E-X(SERIES) .....	3-12
<b>Bill Acceptor Selections E-011XX-(SERIES) .....</b>	<b>3-13</b>
JCM WBA E-01100-(SERIES) .....	3-13
GPT E-01120-(SERIES) .....	3-13
ARDAC E-01124-(SERIES) .....	3-13
MARS E-21100-(SERIES) .....	3-14
<b>Coin Acceptor Kit K-00674-(SERIES) .....</b>	<b>3-14</b>
<b>Backplate with Coin Tray AS-05998-(SERIES) .....</b>	<b>3-15</b>
<b>Backplate No Coin Tray, Stainless Steel AS-06610-0001 .....</b>	<b>3-16</b>
<b>Cabinet Assembly .....</b>	<b>3-17</b>
Feature Glass Retaining Bracket, Non Extended C-06001-0001 .....	3-17
Cabinet Power Cable AS-03025-0152 .....	3-18
Hopper Cable AS-03025-0153 .....	3-19
Starter/Ballast Assembly, 60HZ. AS-02335-(SERIES) .....	3-19
Starter/Ballast, 50HZ., CE97 AS-03335-0012 .....	3-20
Card Rack/Backplane AS-06604-(SERIES) .....	3-20
Card Rack Door/MPU Board AS-06605-(SERIES) .....	3-21
MPU Board/Power Supply/PDU AS-04238-(SERIES) .....	3-22
Feature Glass Spring Stop Bracket P-06004-0026 .....	3-22
Feature Glass Retainer Spring P-06005-0001 .....	3-22
Transformer E-00122-(SERIES) .....	3-23
Convenience Outlet AS-03268-(SERIES) .....	3-25
Line Cord Assembly E-00126-(SERIES) .....	3-26
Bell and Receptacle E-00664-0466 .....	3-26
Speaker E-00281-(SERIES) .....	3-27
Illumination E-00125-(SERIES) / E-0041X-(SERIES) .....	3-27
Tower Lens Cover Selection M-02100-(SERIES) .....	3-27
Tower Selections TWRX-(SERIES) .....	3-28
Meter Assembly AS-04225-(SERIES) .....	3-30



# Module 3 - Assemblies, Parts and Hardware

## Table of Contents (cont.)

---

Hopper Assembly AS-06793-(SERIES) .....	3-31
Handle Assembly AS-02303-(SERIES) .....	3-31
Handle Mechanism Assembly AS-02301-0028 .....	3-31
Reel Mechanism AS-04716-(SERIES) .....	3-33
Reel Drive/Motor AS-04235-(SERIES) .....	3-33
Reel Support, Cable and Bracket AS-04703-(SERIES) .....	3-34
<b>Door Assembly .....</b>	<b>3-35</b>
Door AS-06607-(SERIES) .....	3-35
Belly Door Assembly A-36510-(SERIES) .....	3-37
Door Lock Assembly A-16510-(SERIES) .....	3-37
Door Deck P-06510-(SERIES) .....	3-38
Door Stop Cable, 14 3/4" Large M-01777-5410 .....	3-39
Happ Switch, Large, Round AS-04753-0016 .....	3-39
Happ Switch, No Legend BH-04XXX-(SERIES) .....	3-39
Legend Plate Kit K-01500-(SERIES) .....	3-40
Coin Panel Assembly AS-03210-(SERIES) .....	3-41
Coin Exit Chute P-09382-(SERIES) .....	3-43
Bill Acceptor Cover Plate Kit K-00694-(SERIES) .....	3-43
Coin Glide P-09327-0001 .....	3-43
Bill Acceptor Housing JCM/MARS/ARDAC AS-06602-0005 .....	3-44
Win Meter Lower Display AS-03360-0029 .....	3-44
Win Meter Light Shield M-06001-0003 .....	3-44
Display Board with Hit/Run Connector AS-03356-0525 .....	3-45
Light Assembly AS-03361-(SERIES) .....	3-45
<b>System Panels P-08600-(SERIES) .....</b>	<b>3-47</b>
<b>ProSlant® 6000 / 6000E .....</b>	<b>6-59</b>
<b>Hopper Escalator, Seiko AS-031XX-(SERIES) .....</b>	<b>3-59</b>
<b>Coin Acceptor Assembly AS-05035-(SERIES) .....</b>	<b>3-61</b>
<b>Coin Acceptor Assembly AS-05189-(SERIES) .....</b>	<b>3-62</b>
<b>Drop Chute A-04380-(SERIES) .....</b>	<b>3-63</b>
<b>Bill Acceptor Housing/Frame AS-06603-(SERIES) .....</b>	<b>3-63</b>
<b>Coin Bucket NDC2060 M-03107-0001 .....</b>	<b>3-63</b>
<b>Cabinet Assembly .....</b>	<b>3-69</b>
Cabinet Assembly ASXX-X79XX-XXXX .....	3-70
Cabinet Assembly AS-08752-(SERIES) .....	3-71
Arm Rest CA-03407-(SERIES) .....	3-72
Arm Rest A-05201-0001 .....	3-73
Cabinet Cable Power AS-03025-(SERIES) .....	3-73
Starter/Ballast Assembly AS-03335-(SERIES) .....	3-75
Card Rack/Backplane AS-06604-(SERIES) .....	3-77
MPU Board/Tray AS-06605-(SERIES) .....	3-78
Transformer, 220 VAC, 50/60 Hz. E-00122-0246 .....	3-79
Speaker Panel AS-05031-(SERIES) .....	3-80
Speaker E-00281-(SERIES) .....	3-80
Meter Assembly AS-04225-(SERIES) .....	3-81
Reel Mechanism Assembly AS-04716-(SERIES) .....	3-82
Reel Support, Cable and Bracket AS-04703-(SERIES) .....	3-83

## **Module 3 - Assemblies, Parts and Hardware**

### **Table of Contents (cont.)**

---

<b>Door Assembly .....</b>	<b>3-84</b>
Front Door Assembly AS-04189-(SERIES) .....	3-84
Front Door Assembly AS-08750-0002 .....	3-84
Door Switch E-00108-(SERIES) .....	3-85
Deck/Hatch AS-07920-(SERIES) .....	3-85
Deck/Hatch AS-08759-(SERIES) .....	3-85
Five Button Deck (Player Panel) AS-08757-05XX .....	3-86
Happ Switch, Square AS-0457X-(SERIES) .....	3-86
Light Assembly AS-02360-(SERIES) .....	3-87
<b>System Panels A-044XX-(SERIES) / P-08600-FFXX .....</b>	<b>3-90</b>
<b>Part Number Structure .....</b>	<b>3-94</b>
<b>ProSlot® 6000 and ProSlant® 6000 / 6000E Model Number .....</b>	<b>3-95</b>
<b>Appendix A Lock and Cams .....</b>	<b>3-96</b>

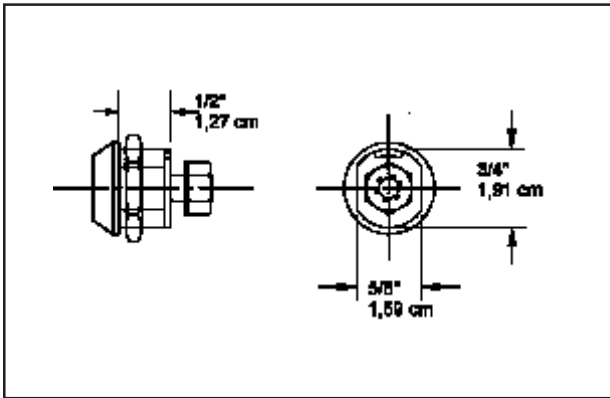
# ProSlot® 6000

## Locks and Cams

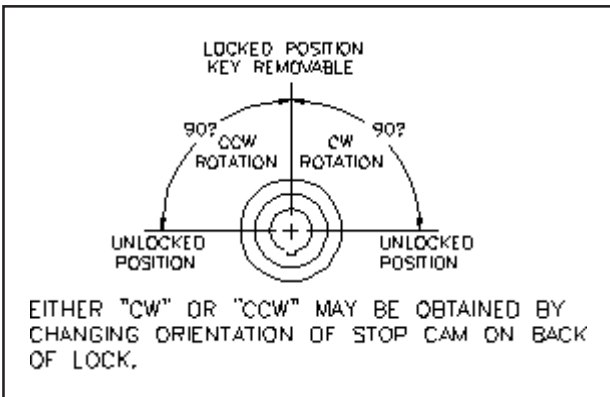
Key switches, MPU and feature (slant) locks are installed at the factory. Cams are provided for the other locks that the Operator must purchase.

Single or dual lock configurations are possible.

All lock openings are  $\frac{5}{8}$ " (1.59cm) by  $\frac{3}{4}$ " (1.91cm). The locks are 90 degree rotation. The keys should be removable only in the locked position.



Locks  $1\frac{1}{8}$ " (2.86cm) long can be used with spacers to maintain the  $\frac{1}{2}$ " (1.27cm) lock length.



## Second Key Switch/Shipping Locks M-00281-(SERIES)

Upright /  Slant /  S6E

PART #	DESCRIPTION	WHERE USED	UP	SL	S6E
M-00281-0040	Lock, Door, Random Key	Shipping Lock	X	X	X
M-00281-0171	Switch, Locking Reset (#2341)	Second Key Switch or Audit	X	X	X
M-00281-0172	Switch, Locking Reset (#X000010)	Second Key Switch or Audit	X	X	X
M-00281-158C	Switch, Locking Reset (#X000001)	Audit key switch	X	X	X



NOTE: Illustrations of cams are provided in Appendix A.

## Lock Requirements

P-00758-(SERIES)

Upright /  Slant /  S6E

LOCATION	HARDWARE	PART #	UP	SL	S6E
Main Door	Single Lock Cam	P-00758-0093	X		X
	Single Lock Cam (Puerto Rico)	P00758-0173 Best®	X		
	Dual Locks	QTY 2	X		
	Single Lock Cam	P-00758-0116		X	
	Dual locks add	P-00758-0118		X	
Belly Door	Single Lock Cam	P-00758-0151	X		
	Single Lock Cam (Puerto Rico)	P-00758-0162 Best®	X		
	Dual Locks	P-00758-0157	X		
Drop Door	Single Lock Cam	P-00758-0181		X	X
	Dual Locks	QTY 2		X	X
Stacker Access Door	Single Lock Cam	P-00758-0094		X	
	Single Lock Cam (Puerto Rico)	P-00758-0155	X		X
	Dual Locks	P-00758-0161 Best®	X		
Bill Acceptor Hatch	Cam	P-00758-0189		X	
	Cam	P-00758-0202			X
Bill Acceptor Stacker	Lock, No Cam	M-00281-162A		X	X
	Two cams provided by JCM #0943PT0504	P-00758-0152	X		
	(Puerto Rico)	P-00758-0163 Best®	X		
MPU Board/Tray*	Two cams provided by JCM #0943PT0504	P-00758-0180		X	
	Lock, key 52593	M-00281-162A		X	X
	Cam	P-00758-0094	X		
Audit Key Switch* (Jackpot)	Cam	P-00758-0183		X	X
	Key Switch, Key X000001	M-00281-158C	X	X	X
Data Tracking System*	Key Switch, Key H2341	M-00281-162A	X	X	X
	Lock, Key 52593	M-00281-162A	X	X	X
Roll the Dice Door	Cam	P-06434-0001	X		
	Cam	P-00758-0137		X	X
Feature Glass	Cam	P-00758-0164		X	
Top Box	Cam	P-00758-0101		X	
	Cam (OLGC)	P-00758-0188		X	
Top Box Radial, Inner*	Cam	P-00758-0201			X
	Cam	P-00758-0143		X	
Top Box Radial, Outer*	Cam	P-00758-0144		X	

Items marked with an asterisk (\*) indicate factory installed parts.

## Circuit Boards

AS-03356-(SERIES)

Upright /  Slant /  S6E

PART #	DESCRIPTION	LOCATION	UP	SL	S6E
AS-03356-0454	Bill Exit Light Board	Bill Acceptor		X	X
AS-03356-0431	Led Board, JCM WBA		X	X	X
AS-03356-0423	Backplane Board	Cabinet		X	
AS-03356-0445	Backplane Board		X		
AS-03356-0643	Backplane Board				X
AS-03356-0428	Door Optic Detector Board		X	X	X
AS-03356-0609	Meter Detect Board, 5 Meter		X	X	
AS-03356-0438	MPU Board	Card Rack / MPU	X	X	
AS-03356-0424	MPU Board		X	X	X
AS-03356-0478	MPU Board Data Vault™ (France)		X	X	
AS-03356-0303	Coin Optic Decoder 2 Board	Coin Acceptor	X	X	X
AS-03356-0525	Display Board with Hit & Run Connector	Door	X	X	
AS-03356-0623	Display Board with Hit & Run Connector, Left		X		X
AS-03356-0427	Door Optic Emitter Board		X	X	X
AS-03356-0624	Auxiliary 4-Digit Display Board	Feature Light	X		
AS-03356-0368	Hopper Controller Board FET, Dual Optic	Hopper	X	X	
AS-03356-0466	Data Vault™ Memory Board (France)	Logic	X	X	
AS-03356-0205	Reel Drive Board	Reel Mechanism	X	X	X
AS-03356-0362	Deluxe Sound Board	Sound Board	X	X	
AS-03356-0512	Pro Sound 2 Board		X	X	X
AS-03356-0108	Communication Interface Board (Delaware)	Systems / Communication	X	X	
AS-03356-0197	EPROM UIB with Piggyback Board		X	X	
AS-03356-0463	Flash UIB with Piggyback Board		X	X	
AS-03356-0185	LSAMS Fiber Optic Board		X		
AS-03356-0465	Message Center VFD, 16-Digit, 4-Inch		X	X	

## ProSlot® 6000

### Circuit Boards (Cont.) AS-03356-(SERIES)

Upright /  Slant /  S6E

PART #	DESCRIPTION	LOCATION	UP	SL	S6E
AS-03356-0524	Display Board, Horse Play	Top Box	X		
AS-03356-0584	Board #1, Conehead Topper	Topper	X		
AS-03356-0585	Board #2, Conehead Topper		X		
AS-03356-0586	Board #3, Conehead Topper		X		
AS-03356-0587	Board #4, Conehead Topper		X		
AS-03356-0588	Board #5, Conehead Topper		X		
AS-03356-0589	Board #6, Conehead Topper		X		
AS-03356-0621	LED Board with Power Connector, Diamond		X		
AS-03356-0622	LED Board, Diamond		X		
AS-03356-0578	LED Board, Round Topper		X		
AS-03356-0577	LED Power Board, Round Topper		X		
AS-03356-0580	Long Board, Rectangle Topper		X		
AS-03356-0551	Marquee Board, To Tell The Truth		X		
AS-03356-0592	PCB-A, Generic Oval Topper		X		
AS-03356-0593	PCB-B, Generic Oval Topper		X		
AS-03356-0557	Power Board, Movie Star Marquee	X			
AS-03356-0581	Short Board, Rectangle Topper	X			
AS-03356-0558	Star Board, Movie Star Marquee	X			



**WARNING:** Attempting to recharge Lithium batteries can cause them to explode. Replace failed batteries with Bally part E-00628-0023 or its equivalent.

### Programmable Devices and Batteries

Upright /  Slant /  S6E

PART #	DESCRIPTION	WHERE USED	UP	SL	S6E
E-00867-0035	(BLANK) EPROM, IC, 32K X 8, 120NS	Personality	X	X	X
E-00867-0037	(Blank) EPROM, IC, 1meg, 128K X 8, 80NS	JCM WBA Bill Acceptor	X	X	X
E-00867-0038	(Blank) EPROM, IC, 1 Meg, 128K, 120NS	Personality	X	X	X
E-00867-0039	(Blank) EPROM, IC, 2 Meg, 256K X 8, 220NS	Personality	X	X	X
E-00867-0042	(Blank) EPROM, CMOS, 64K X 8, 120NS	Personality			X
E-00867-0045	(Blank) EPROM, IC, 4 Meg, 512K X 8, 120NS	Mains	X	X	X
E-00867-0046	(Blank) EPROM, IC, 8 Meg, 1M X 8, 120NS	AS-03356-0362 Deluxe Sound Board	X	X	X
S6S1000CLE04-03	SafeRAM™ Clear	U28, U43	X	X	X
E-01056-0015	Programmed Controller, 16F84, PRF-001	AS-03356-0339 Hopper Controller Board*		X	X
E-01056-0018	Programmed Controller, 16F84, FET-003	AS-03356-0368 Hopper Controller Board	X	X	X
E-01056-0022	Programmed Controller, 16F84, PRF-001	AS-03356-0339 Hopper Controller Board*	X		
E-01091-0004	Programmed Cod Micro-Controller, PIC16C54, V5.1	AS-03356-0303 COD Board	X	X	X
E-00628-0023	Battery, Lithium (3.6V @ 1800 MAH)	Batt1	X	X	X
E-00882	Jumper	Jwxx	X	X	X
E-00620-0673	IC, Dallas Smart Socket DS1213D	U30, U45	X	X	X

\*Items marked with an asterisk indicate obsolete items.

### Cables

Upright /  Slant /  S6E

PART #	DESCRIPTION	LOCATION	UP	SL	S6E
CBL-20214-0001	Bill Acceptor Door	Bill Acceptor	X		X
CBL-30244-0001	Bill Acceptor Door Switch			X	
CBL-30349-0001	Bill Acceptor Switches, GPT				X
CBL-30380-0001	Bill Acceptor, Ardac				X
CBL-30381-0001	Bill Acceptor, Ardac			X	
CBL-20187-0001	Bill Acceptor, GPT			X	
CBL-30238-0001	Bill Acceptor, GPT			X	
CBL-30235-0001	Bill Acceptor, JCM WBA-10/20			X	
CBL-30302-0001	Bill Acceptor, Mars			X	
CBL-30305-0001	Bill Acceptor, Mars				X
CBL-30637-0001	Bill Acceptor, WBA -12/13/23/25			X	
CBL-30638-0001	Bill Acceptor, WBA -12/13/23/25				X
CBL-30638-0002	Bill Acceptor, WBA -12/13/23/25				X
CBL-20188-0001	Bill Box Connector, GPT			X	X
CBL-30420-0001	Diode Isolation Bill Acceptor Door, WBA /Ardac			X	X
CBL-30405-0001	Diode Isolation Bill Doors, GPT			X	X

PART #	DESCRIPTION	LOCATION	UP	SL	S6E	
CBL-30350-0001	GPT Bill Acceptor	Bill Acceptor		X		
CBL-30252-0001	JCM WBA -10/20			X		
CBL-30406-0001	Universal System Signals			X		
CBL-30431-0001	Universal System Signals			X		
CBL-20292-0001	120v Adapter			X		
CBL-30532-0001	Auxiliary A/C Adaptor, 3way			X	X	
CBL-20249-0001	Backplane Interconnect			X	X	
CBL-30255-0001	Cabinet Power		Cabinet		X	
CBL-30475-0001	Cabinet Power			X		
CBL-30712-0001	Cabinet Power					X
CBL-30234-0001	Cabinet Signal			X		
CBL-30478-0001	Cabinet Signal				X	
CBL-30713-0001	Cabinet Signal				X	
CBL-30669-0001	Cabinet Signal (Switzerland)			X		
CBL-30668-0001	Cabinet, Signal (Switzerland)			X		
CBL-30680-0001	Door, With Removable Deck			X		
CBL-30377-0001	Light Panel Feature Round				X	
CBL-20386-0001	Meter Detect Board (Switzerland)			X	X	
CBL-20275-0001	MPU Door Switch (South Africa)			X	X	
CBL-30469-0001	PDU, CE97, Fused			X	X	
CBL-30180-0001	Power Supply CE97			X	X	
CBL-30471-0001	COD/CC-16	Coin Acceptor		X		
CBL-20410-0001	Coin Acceptor Defender					X
CBL-20295-0001	Coin Acceptor Interface MC-16				X	
CBL-20211-0001	Coin Acceptor, Condor/IDX					X
CBL-30472-0001	Coin IO					X
CBL-30471-0002	Coin IO, COD/ IDX /Condor				X	
CBL-20307-0001	MC-16 Interface				X	
CBL-30735-0001	3x3 Coin/Line Led Board			X		
CBL-30348-0001	8-Coin Multiplier Lamps			X	X	
CBL-30691-0001	9/10 Coin/Line Led Board			X		
CBL-20138-0001	Blazing 7's, 2nd Chance	Feature Light	X	X		
CBL-20139-0001	Blazing 7's, 2nd Chance, 3-Coin		X	X		
CBL-30182-0001	Bonus Sawy		X	X		
CBL-20042-0001	Coin Light, 2b		X	X		
CBL-20013-0001	Coin Light, 2b Or 2m		X	X		
CBL-30230-0001	Coin Light, 2-Button, 3's A Charm		X	X		
CBL-20016-0001	Coin Light, 2m		X	X		
CBL-20014-0001	Coin Light, 3b		X			
CBL-20170-0001	Coin Light, 3b, Trailblazer		X	X		
CBL-20134-0001	Coin Light, 3cb		X	X		
CBL-20012-0001	Coin Light, 3m		X	X		
CBL-20015-0001	Coin Light, 3m/3b		X	X		
CBL-20017-0001	Coin Light, 3u		X	X		
CBL-20033-0001	Coin Light, 3u, Fire & Ice		X	X		
CBL-20037-0001	Coin Light, 6m		X	X		
CBL-20179-0001	Coin Light, 7m		X			
CBL-20259-0001	Deck, 7.5v, Retrofit			X		
CBL-20048-0001	Feature Light, 3u			X	X	
CBL-20082-0001	Feature Light, 5cm			X	X	
CBL-20278-0001	Feature Light, 6m			X		
CBL-30002-0001	Feature Light, Jumping Joker		X	X		
CBL-20000-0001	Firecracker Extension		X	X		
CBL-20287-0001	Game Controlled Sawy		X			
CBL-20195-0001	Over The Top Special		X	X		
CBL-20058-0001	Reg.14, Mikohn		X	X		
CBL-20339-0001	Vertical Led Display		X			
CBL-30476-0001	Hopper	Hopper	X			
CBL-30476-0002	Hopper				X	
CBL-20065-0001	Hopper, Dual Probe			X	X	
CBL-30100-0001	Hopper, Super/Standard			X		
CBL-30019-0001	Seiko Hopper				X	
CBL-20277-0001	Data Vault™ (France)		Logic	X	X	
CBL-30473-0001	Deck Button	Player Panel		X		
CBL-30715-0001	Deck				X	
CBL-30719-0001	Deck, 5-Button				X	





# ProSlot® 6000

## Cables (Cont.)

Upright /  Slant /  S6E

PART #	DESCRIPTION	LOCATION	UP	SL	S6E	
CBL-30710-0001	Deck, 5-Button (United Kingdom)	Player Panel	X			
CBL-30775-0001	Deck, 6-Button (United Kingdom)		X			
CBL-30681-0001	Deck, 7-Button (United Kingdom)		X			
CBL-30250-0001	Upper Reel Light			X		
CBL-30201-0001	3-Reel	Reel Mechanism	X			
CBL-30253-0001	3-Reel			X		
CBL-30709-0001	3-Reel				X	
CBL-30387-0001	4-Reel			X		
CBL-30202-0001	4-Reel		X			
CBL-20189-0001	Reel Control Board		X	X	X	
CBL-30531-0001	Deluxe Pro Sound 2	Sound Board	X	X		
CBL-30347-0001	Deluxe Sound		X	X		
CBL-20397-0001	Pro Sound 2				X	
CBL-30375-0001	Sound Board Feature Round			X		
CBL-906616	4-Pole Lock-Out Assembly, J1		X	X		
CBL-205378	4-Pole Lock-Out, J3, Game		X	X		
CBL-20274-0001	Belly Door Switch (OLGC)		X			
CBL-30631-0001	Card Reader, SCI		X			
CBL-30047-0001	Door Bell (USAF)		X			
CBL-30470-0001	Door Button		X			
CBL-30356-0001	Door Buzzer (Delaware)		X			
CBL-30357-0001	Door Buzzer (Delaware)			X		
CBL-20077-0001	Door Open Meter (Puerto Rico)		X			
CBL-20299-0001	Door Panel Light		X			
CBL-30309-0001	Feature Housing Light			X		
CBL-20227-0001	Knock-Down		X	X	X	
CBL-205521	Loss Limit To 4-Pole		X	X		
CBL-20284-0046	LSAMS Power	Systems / Communication		X		
CBL-20283-0046	LSAMS, 46-Inch			X		
CBL-20050-0046	LSAMS, 46-Inch Large		X			
CBL-20047-0001	Meter Detect Jumper (France)		X	X		
CBL-00426-0060	Ribbon Assembly, 26 Cir.60-Inch		X			
CBL-00426-0070	Ribbon Assembly, 26 Cir.70-Inch			X		
CBL-30583-0001	Rs232 PC Communication Data Vault™			X		
CBL-20261-0001	Rs422 Interface			X		
CBL-20273-0001	Second Key Switch Extension (OLGC)		X			
CBL-20271-0001	Serial Link (Detroit)		X	X		
CBL-30311-0001	Signal, Feature Housing			X		
CBL-20234-0001	System Interface		X	X		
CBL-20095-0001	Tower Extension		X	X		
CBL-20020-0001	Tower Extension		X	X		
CBL-30267-0001	UIB Communication		X			
CBL-30386-0001	UIB Communication			X		
CBL-20257-0001	Door Panel Light With Printer	Ticket Printer		X		
CBL-30249-0001	Lower Reel Light				X	
CBL-20302-0001	Seiko Printer				X	
CBL-20398-0001	Seiko Printer				X	
CBL-30720-0001	10x2 Lamp, SNL		X			
CBL-30530-0001	Betty Boop World Tour Top Box	Top Box	X			
CBL-30393-0001	Extended Top, 2 Light		X			
CBL-30651-0001	Led Top Box		X			
CBL-20404-0001	Playboy Bunny X Frenzy		X			
CBL-20361-0001	Power Lamps & Fan, Playboy		X			
CBL-20415-0001	SNL, Multi-Lamp		X			
CBL-20368-0001	Top Box Fluorescent				X	
CBL-30643-0001	Top Box Light				X	
CBL-30507-0001	Top Box Power Adapter, 110V To 220V			X		
CBL-20045-0001	4-Tier Tower			X		
CBL-20153-0001	4-Tier Tower Interface	Tower		X	X	
CBL-20290-0001	Tower 4-Tier, BB/BR			X		
CBL-20151-0001	Tower Lamp Interface			X	X	
CBL-20152-0001	Tower Lamp Selector			X	X	

## Coin Head Back Plates C-0411X-(SERIES)

Upright /  Slant /  S6E

CHROME	GOLD	WIDTH		DEPTH		UP	SL	S6E
		IN	MM	IN	MM			
C-04110-1001	C-04110-4001	0.740	18.796	0.065	1.651	X		
C-04110-1002	C-04110-4002	0.780	19.812	0.090	2.286	X	X	
C-04110-1003	C-04110-4003	0.800	20.320	0.090	2.286	X	X	X
C-04110-1004	C-04110-4004	0.830	21.082	0.090	2.286	X	X	X
C-04110-1005	C-04110-4005	0.860	21.844	0.090	2.286	X	X	X
C-04110-1006	C-04110-4006	0.890	22.606	0.090	2.286	X	X	X
C-04110-1007	C-04110-4007	0.940	23.876	0.090	2.286	X	X	X
C-04110-1008	C-04110-4008	0.980	24.892	0.090	2.286	X	X	X
C-04110-1009	C-04110-4009	1.020	25.908	0.090	2.286	X	X	X
C-04110-1010	C-04110-4010	1.050	26.670	0.090	2.286	X	X	X
C-04110-1011	C-04110-4011	1.070	27.178	0.090	2.286	X	X	X
C-04110-1012	C-04110-4012	1.090	27.686	0.090	2.286	X	X	X
C-04110-1017	C-04110-4017	1.120	28.448	0.090	2.286	X		X
C-04110-1013	C-04110-4013	1.140	28.956	0.090	2.286	X	X	X
C-04110-1014	C-04110-4014	1.180	29.972	0.090	2.286	X	X	X
C-04110-1015	C-04110-4015	1.210	30.734	0.090	2.286	X	X	X
C-04110-1016	C-04110-4016	1.240	31.496	0.090	2.286	X	X	X
C-04110-1018	C-04110-4018	1.290	32.766	0.090	2.286	X	X	
CHROME	GOLD	WIDTH		DEPTH		UP	SL	S6E
		IN	MM	IN	MM			
C-04111-1001	C-04111-4001	1.290	32.766	0.160	4.064	X		
C-04111-1002	C-04111-4002	1.330	33.782	0.160	4.064	X		
C-04111-1003	C-04111-4003	1.370	34.798	0.160	4.064	X	X	X
C-04111-1004	C-04111-4004	1.410	35.814	0.160	4.064	X	X	X
C-04111-1005	C-04111-4005	1.500	38.100	0.160	4.064	X		
C-04111-1006	C-04111-4006	1.530	38.862	0.160	4.064	X	X	X
C-04111-1007	C-04111-4007	1.570	39.878	0.160	4.064	X	X	
C-04111-1008	C-04111-4008	1.630	41.402	0.160	4.064	X		
C-04111-1009	C-04111-4009	1.680	42.672	0.160	4.064	X	X	X
C-04111-1010	C-04111-4010	1.740	44.196	0.160	4.064	X	X	
C-04111-1011	C-04111-4011	1.790	45.466	0.160	4.064	X	X	X
C-04111-1012	C-04111-4012	1.900	48.260	0.160	4.064	X	X	X
CHROME	GOLD	WIDTH		DEPTH		UP	SL	S6E
		IN	MM	IN	MM			
C-04112-1001	C-04112-4001	0.840	21.336	0.150	3.810		X	X
C-04112-1002	C-04112-4002	0.930	23.622	0.150	3.810		X	X
C-04112-1003	C-04112-4003	0.940	23.876	0.150	3.810	X		
C-04112-1013	C-04112-4013	0.980	24.892	0.150	3.810	X	X	X
C-04112-1004	C-04112-4004	1.020	25.908	0.150	3.810	X	X	X
C-04112-1005	C-04112-4005	1.040	26.416	0.150	3.810	X		X
C-04112-1007	C-04112-4007	1.080	27.432	0.150	3.810		X	X
C-04112-1008	C-04112-4008	1.100	27.940	0.150	3.810	X		
C-04112-1009	C-04112-4009	1.140	28.956	0.150	3.810	X	X	X
C-04112-1010	C-04112-4010	1.160	29.464	0.150	3.810	X		
C-04112-1011	C-04112-4011	1.240	31.496	0.150	3.810	X	X	X
C-04112-1012	C-04112-4012	1.260	32.004	0.150	3.810		X	

## Optic Board Mounting Block

### M-01755-(SERIES)

Upright /  Slant /  S6E

PART #	DESCRIPTION	DIAMETER		THICKNESS		UP	SL	S6E
		IN	MM	IN	MM			
M-01755-0952	5¢, 10FF	1.075	24.892	0.120	3.048		X	X
M-01755-0946	5¢, 10FF	1.075	27.305	0.120	3.048	X		
M-01755-0983	10¢, 1R	0.980	24.892	0.120	3.048			X
M-01755-0978	10¢	0.980	24.892	0.120	3.048		X	X
M-01755-0965	10¢	0.980	24.892	0.120	3.048	X		
M-01755-0949	25¢	1.187	30.150	0.120	3.048		X	X
M-01755-0945	25¢	1.187	30.150	0.120	3.048	X		
M-01755-0950	50¢, 2/5F	1.320	33.528	0.120	3.048		X	X
M-01755-0947	50¢, 2/5FF	1.320	33.528	0.120	3.048	X		
M-01755-0963	\$1 (Australia)	1.187	30.150	0.165	4.191	X		
M-01755-0943	\$1, 50FF	1.610	40.894	0.165	4.191	X		
M-01755-0951	\$1, 50FF	1.610	40.894	0.165	4.191		X	X
M-01755-0989	\$5, Condor	1.880	47.752	0.165	4.191	X		
M-01755-0944	\$5/\$10/\$100	1.850	46.990	0.165	4.191	X		
M-01755-0953	\$5/\$10/\$100	1.850	46.990	0.165	4.191		X	X
M-01755-0948	\$25 Token	2.000	50.800	0.165	4.191	X		
M-01755-0954	\$25 Token	2.000	50.800	0.165	4.191		X	X
M-01755-0979	\$25, IDX	1.875	47.625	0.125	3.175	X		



## ProSlot® 6000

### Denomination Change Kits K-00811-(SERIES)

Upright /  Slant /  S6E

Parts needed to change the coin denomination accepted by the ProSlot® 6000 and the ProSlant® 6000 are available in kits. Each kit contains the necessary coin entry and hopper parts for the XS1200 hopper. Kits for slant machines using the Asahi Seiko hopper include a replacement hopper configured for the correct coin. Refer to the following matrix for kit numbers:

Upright		TO			
		5¢	25¢	\$1	\$5
From	5¢		K-00811-0041	K-00811-0043	K-00811-0047
	25¢	K-00811-0042		K-00811-0043	K-00811-0047
	\$1	K-00811-0046	K-00811-0044		K-00811-0048
	\$5	K-00811-0049	K-00811-0050	K-00811-0051	

Slant		TO			
		5¢	25¢	50¢	\$1
From	5¢		K-00811-0141	K-00811-0149	K-00811-0143
	25¢	K-00811-0142			K-00811-0143
	\$1	K-00811-0146	K-00811-0144		

### XS1200 Hopper Coin-Specific Parts

Upright

DIMENSIONS			HOPPER	HOPPER WITH MIXER	BACK PLATE	BRACKET, COIN HEAD CLAMP	COIN GUIDE	OPTIC BOARD MOUNTING BLOCK	COIN ACCEPTOR	MOUNTING BRACKET	COIN KNIFE
COIN	DIAMETER	THICKNESS									
10¢	0.705" (17.90 MM)	0.053" (1.35 MM)	None	None	C-04110-1001	P-09319-0299	P-09319-0200	M-01755-0965	E-00887-0209	P-06004-0037	M-03068-0006
1¢	0.750" (19.05 MM)	0.062" (1.57 MM)	None	None	C-04110-1003	P-09319-0299	P-09319-0200	M-01755-0965	E-00887-0209	P-06004-0037	M-03068-0006
5¢	0.825" (20.96 MM)	0.078" (1.98 MM)	AS-06793-0008	AS-06793-1008	C-04110-1005	P-09319-0299	P-09319-0200	M-01755-0946	E-00887-0201	P-06004-0037	M-03068-0006
25¢ Token	0.865" (21.97 MM)	0.067" (1.70 MM)	AS-06793-0001	AS-06793-1001	C-04110-1005	P-09319-0299	P-09319-0200	M-01755-0945	E-00887-0201	P-06004-0037	M-03068-0006
25¢	0.955" (24.26 MM)	0.067" (1.70 MM)	AS-06793-0001	AS-06793-1001	C-04110-1008	P-09319-0299	P-09319-0200	M-01755-0945	E-00887-0201	P-06004-0037	M-03068-0006
50¢	1.205" (30.61 MM)	0.086" (2.18 MM)	AS-06793-0005	AS-06793-1005	C-04110-1016	P-09319-0299	P-09322-0211	M-01755-0947	E-00887-0205	P-06004-0037	M-03068-0006
\$1	1.500" (38.10 MM)	0.100" (2.54 MM)	AS-06793-0002	AS-06793-1002	C-04111-1006	P-09319-0300	P-09322-0211	M-01755-0943	E-00887-0203	P-06004-0037	M-03068-0006
\$100	1.595" (40.51 MM)	0.090" (2.29 MM)	AS-06793-0010	AS-06793-1010	C-04111-1008	P-09319-0300	P-09322-0211	M-01755-0944	E-00887-0208	P-06004-0037	M-03068-0006
\$10	1.740" (44.20 MM)	0.125" (3.18 MM)	None	None	C-04111-1011	P-09319-0300	P-09322-0211	M-01755-0944	E-00887-0204	P-06004-0036	M-03068-0007
\$5	1.750" (44.45 MM)	0.125" (3.18 MM)	AS-06793-0006	AS-06793-1006	C-04111-1011	P-09319-0300	P-09322-0211	M-01755-0944	E-00887-0202	P-06004-0036	M-03068-0007
\$25	1.875" (47.63 MM)	0.125" (3.18 MM)	AS-06793-0007	AS-06793-1007	C-04111-1012	P-09319-0300	P-09322-0211	M-01755-0948	E-00887-0202	P-06004-0036	M-03068-0007
COIN	DENOMINATION DECAL	TOWER LENS	TOWER COLOR	PIN WHEEL	SHELF WHEEL	SHELF WHEEL SPACER	COVER COIN OUTLET	COIN DEFLECTOR	AGITATOR	HOPPER BOWL SPACER	
10¢	D100-10C++-BERM	M-02100-0205	Green	P-00842-009B	P-00847-0001	None	P-00838-0011	P-00839	R-00526-0003	S-00231-1028	
1¢	D100-1CENT-BERM	M-02100-0202	Red	P-00842-009B	P-00847-0001	None	P-00838-0011	P-00839	R-00526-0003	S-00231-1028	
5¢	D100-.05++-BERM	M-02100-0202	Red	P-00842-009B	P-00847-0028	None	P-00838-0011	P-00839	R-00526-0003	None	
25¢ Token	D100-TOK25-BERM	M-02100-0204	Yellow	P-00842-010B	P-00847-0002	None	P-00838-0011	P-00839	R-00526-0003	None	
25¢	D100-.25++-BERM	M-02100-0204	Yellow	P-00842-010B	P-00847-0002	None	P-00838-0011	P-00839	R-00526-0003	None	
50¢	D100-50C++-BERM	M-02100-0206	Coral	P-00842-010B	P-00847-0003	None	P-00838-0011	P-00839	R-00526-0003	None	
\$1	D100-\$1+++BERM	M-02100-0203	Blue	P-00842-011B	P-00847-0006	None	P-00838-0011	P-00839	R-00526-0003	None	
\$100	D100-\$100+-BERM	M-02100-0201	White	P-00842-013A	P-00847-0014	None	P-00838-0012	P-00839	R-00526-0001	None	
\$10	D100-\$10+-BERM	M-02100-0207	Purple	A-04308-001A	P-00847-0023	P-00847-0024	P-00838-0012	P-00839-0004	R-00526-0001	None	
\$5	D100-\$5+++BERM	M-02100-0207	Purple	A-04308-001A	P-00847-0023	P-00847-0024	P-00838-0012	P-00839-0004	R-00526-0001	None	
\$25	D100-\$25+++BERM	M-02100-0207	Purple	A-04308-001A	P-00847-0016	P-00847-0022	P-00838-0012	P-00839-0004	R-00526-0001	None	

### Asahi Seiko Hopper Coin-Specific Parts

Slant /  S6E

DIMENSIONS			HOPPER		BACK PLATE	COIN ACCEPTOR	MOUNTING BRACKET	TOWER LENS	TOWER COLOR	DENOMINATION DECAL
COIN	DIAMETER	THICKNESS	SLANT	SLANT "E"						
5¢	0.825" (20.96 MM)	0.078" (1.98 MM)	AS-03105-0339	AS-03117-0001	C-04110-1005	E-00887-0201	A-04361-0045	M-02100-0202	Red	D100-.05++-BERM
25¢	0.955" (24.26 MM)	0.067" (1.70 MM)	AS-03105-0333	AS-03117-0005	C-04110-1008	E-00887-0201	A-04361-0045	M-02100-0204	Yellow	D100-.25++-BERM
25¢ Token	0.865" (21.97 MM)	0.067" (1.70 MM)	AS-03105-0333	AS-03117-0005	C-04110-1008	E-00887-0201	A-04361-0045	M-02100-0204	Yellow	D100-TOK25-BERM
50¢	1.205" (30.61 MM)	0.086" (2.18 MM)	AS-03105-0335	AS-03117-0006	C-04110-1016	E-00887-0205	A-04361-0045	M-02100-0206	Coral	D100-50C++-BERM
\$1	1.500" (38.10 MM)	0.100" (2.54 MM)	AS-03105-0337	AS-03117-0004	C-04111-1006	E-00887-0203	A-04361-0045	M-02100-0203	Blue	D100-\$1+++BERM
\$100	1.595" (40.51 MM)	0.090" (2.29 MM)	AS-03105-0431	None	C-04111-1008	E-00887-0208	A-04361-0018	M-02100-0201	White	D100-\$100+-BERM
\$10	1.740" (44.20 MM)	0.125" (3.18 MM)	AS-03105-0429	None	C-04111-1011	E-00887-0204	A-04361-0018	M-02100-0207	Purple	D100-\$10+-BERM
\$5	1.750" (44.45 MM)	0.125" (3.18 MM)	AS-03105-0341	None	C-04111-1011	E-00887-0202	A-04361-0018	M-02100-0207	Purple	D100-\$5+++BERM
\$25	1.875" (47.63 MM)	0.125" (3.18 MM)	AS-03105-0343	None	C-04111-1012	E-00887-0202	A-04361-0018	M-02100-0207	Purple	D100-\$25+++BERM

# ProSlot® 6000

## Coin Acceptor Selections E-00887-(SERIES)

☑ Upright / ☑ Slant / ☑ S6E

Coin Mechanisms, Inc. RFI CC-16 E-00887-02XX

☑ Upright / ☑ Slant / ☑ S6E

PART #	DENOMINATION(S)	STYLE	WEIGHT (GRAMS)	UP	SL	S6E
E-00887-0201	5¢ / 25¢ US	S	4.4 - 6.8	X	X	X
E-00887-0202	\$5 / \$25 Token	WB	19.7+	X	X	
E-00887-0203	\$1 US	S	19.7+	X	X	
E-00887-0204	\$10 Token	WB	19.7+	X	X	
E-00887-0205	50¢ US / 5FF	S	4.4 - 6.8	X	X	
E-00887-0207	\$4 Token	S		X	X	
E-00887-0208	\$100 Token	WB	19.7+	X	X	
E-00887-0209	10¢US	S		X	X	
E-00887-0210	50¢ Esc Token	S	5.5 - 7.4	X	X	

PART #	DIAMETER		THICKNESS (MAXIMUM)		UP	SL	S6E
	IN	MM	IN	MM			
E-00887-0201	.700 - 1.250	17.78 - 31.75	.085	2.159	X	X	X
E-00887-0202	1.550 - 1.950	39.37 - 49.53	.130	3.302	X	X	
E-00887-0203	.700 - 1.550	17.78 - 39.37	.115	2.921	X	X	
E-00887-0204	1.550 - 1.950	39.37 - 49.53	.140	3.556	X	X	
E-00887-0205	.770 - 1.550	19.558 - 39.37	.085	2.159	X	X	
E-00887-0207					X	X	
E-00887-0208			.130	3.302	X	X	
E-00887-0209					X	X	
E-00887-0210	.700 - 1.250	17.78 - 31.75	.140	3.556	X	X	

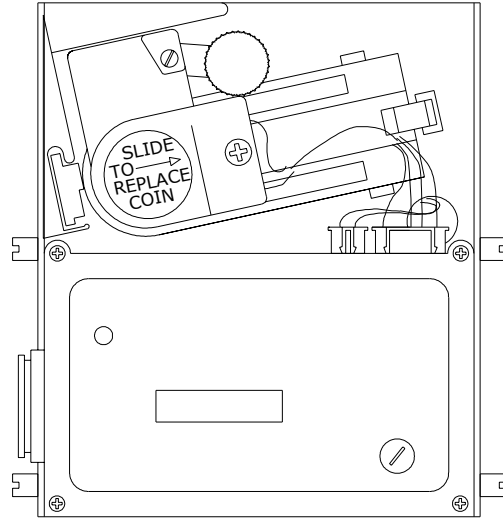
Coin Mechanisms, Inc. IC-16

E-00887-1XXX

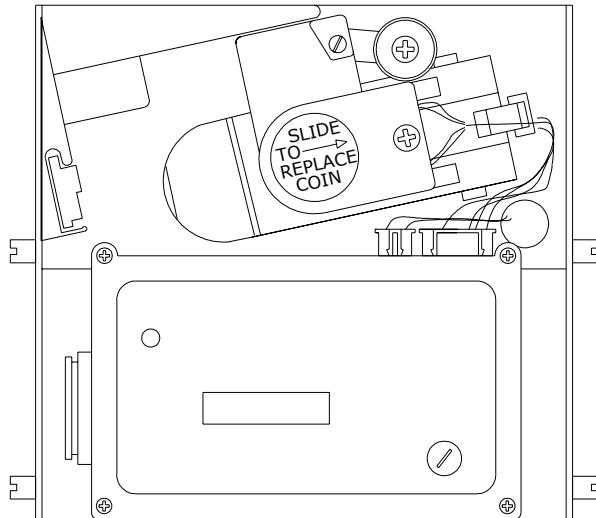
☑ Upright / ☑ Slant

PART #	DENOM	STYLE	DIAMETER		THICKNESS		UP	SL	S6E
			IN	MM	IN	MM			
E-00887-1016	\$5	Wide	1.750	44.450	0.120	3.048	X		
E-00887-1017	\$5	Wide	1.750	44.450	0.120	3.048	X		
E-00887-1018	\$10	Wide	1.700	43.180	0.135	3.429	X		
E-00887-1019	\$20	Wide	1.654	42.012	0.096	2.438	X		
E-00887-1020	\$100	Wide	1.600	40.640	0.080	2.032	X		
E-00887-1021	\$5	Wide	1.750	44.450	0.120	3.048	X		
E-00887-1022	\$10	Wide	1.700	43.180	0.135	3.429	X		
E-00887-1023	\$25	Wide	1.850	46.990	0.105	2.667	X		
E-00887-1024	\$100	Wide	1.600	40.640	0.080	2.032	X		
E-00887-1025	\$500	Wide	1.549	39.345	0.090	2.286	X		
E-00887-1026	\$1,000	Wide	1.850	46.990	0.108	2.743	X		
E-00887-1027	\$5	Wide	1.750	44.450	0.120	3.048	X	X	
E-00887-1028	\$5	Wide	1.755	44.577	0.122	3.099	X		
E-00887-1029	\$10	Wide	1.700	43.180	0.136	3.454	X		
E-00887-1030	\$25	Wide	1.650	41.910	0.100	2.540	X		
E-00887-1031	\$50	Wide	1.812	46.025	0.115	2.921	X		
E-00887-1032	\$100	Wide	1.600	40.640	0.080	2.032	X		
E-00887-1034	\$25	Wide	1.875	47.625	0.101	2.565	X		
E-00887-1035	\$100	Wide	1.600	40.640	0.080	2.032	X		
E-00887-1036	\$5	Wide	1.750	44.450	0.125	3.175	X		
E-00887-1037	\$10	Wide	1.700	43.180	0.120	3.048	X		
E-00887-1038	\$25	Wide	1.875	47.625	0.105	2.667	X		
E-00887-1039	\$5	Wide	1.750	44.450	0.120	3.048	X		
E-00887-1040	\$500	Wide	1.550	39.370	0.090	2.286	X		
E-00887-1041	\$1,000	Wide	1.845	46.863	0.108	2.743	X		
E-00887-1060	\$1	Narrow	1.470	37.338	0.101	2.565	X	X	
E-00887-1061	\$1	Narrow	1.470	37.338	0.101	2.565	X		
E-00887-1062	\$2	Narrow	1.340	34.036	0.100	2.540	X		
E-00887-1063	\$1	Narrow	1.470	37.338	0.101	2.565	X		
E-00887-1064	\$1	Narrow	1.469	37.313	0.101	2.565	X		
E-00887-1065	\$2	Narrow	1.340	34.036	0.100	2.540	X		
E-00887-1066	\$1	Narrow	1.469	37.313	0.101	2.565	X		
E-00887-1067	\$2	Narrow	1.340	34.036	0.100	2.540	X		
E-00887-1068	\$1	Narrow	1.469	37.313	0.101	2.565	X	X	
E-00887-1069	\$2	Narrow	1.340	34.036	0.100	2.540	X	X	
E-00887-1071	50¢	Narrow	1.170	29.718	0.075	1.905	X		
E-00887-1072	\$1	Narrow	1.000	25.400	0.075	1.905	X		
E-00887-1073	\$2	Narrow	1.125	28.575	0.101	2.565	X		
E-00887-1074	\$1	Narrow	1.469	37.313	0.101	2.565	X		
E-00887-1075	\$2	Narrow	1.340	34.036	0.100	2.540	X		
E-00887-1086	1Euro	Narrow	1.006	25.552	0.089	2.261	X		

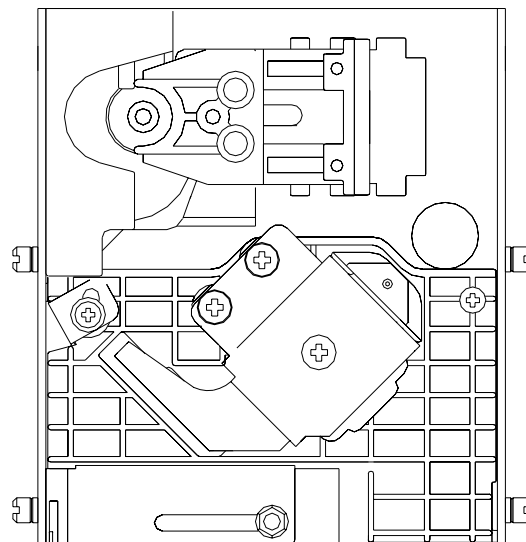
## S STYLE



## WB STYLE



Coin Mechanisms, Inc. RFI CC-16



Coin Mechanisms, Inc. IC-16

| - Revised, || - New  
ProSlot® 6000

## ProSlot® 6000

### Coin Acceptor Selections E-00887-(SERIES)

☑ Upright / ☑ Slant / ☑ S6E

Coin Controls, Inc. Condor

E-00887-2XXX

☑ Upright / ☑ Slant



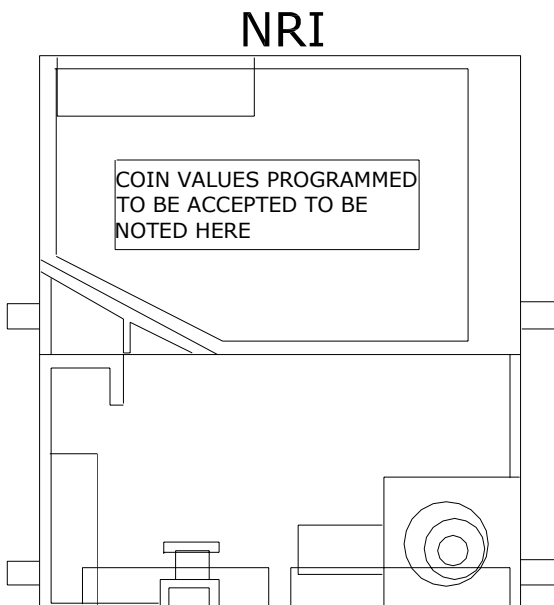
PART #	DENOMINATION	DIAMETER		THICKNESS		COMPAT.
		IN	MM	IN	MM	
E-00887-2001	50¢ Token	0.866	22.0	0.079	2.00	CC16
E-00887-2002	25¢	0.787	20.0	0.067	1.70	CC16
E-00887-2003	50¢ Token	0.866	22.0	0.074	1.87	CC16
E-00887-2004	1 Rand Token	1.096	27.8	0.089	2.27	CC16
E-00887-2005	1 Rand	0.945	24.0	0.079	2.00	CC16
E-00887-2006	2 Rand	0.906	23.0	0.102	2.60	CC16
E-00887-2007	ANY	1.260	> 32.0	0.110	> 2.80	CC16
E-00227-2010	5 Rand Token	1.024	26.0	0.071	1.80	CC16
E-00887-2012	ANY	1.496	> 38.0	0.110	> 2.80	CC16
E-00887-2013	Monte Carlo 50C	0.866	22.0	0.073	1.85	CC16
E-00887-2014	Monte Carlo 1 Rand	0.945	24.0	0.079	2.00	CC16
E-00887-2015	Monte Carlo 2 Rand	0.906	23.0	0.102	2.60	CC16
E-00887-2016	Monte Carlo 5 Rand	1.024	26.0	0.094	2.40	CC16
E-00887-2017	Monte Carlo 10 Rand	1.122	28.5	0.094	2.40	CC16
E-00887-2023	\$5 Token	1.756	44.6	0.122	3.10	CC16
E-00887-2024	25¢	0.787	20.0	0.067	1.70	CC 16

PART #	DENOMINATION	PROGRAM	COUNTRY	UP	SL	S6E
E-00887-2001	50¢ Token	Fixed	S Africa	X	X	
E-00887-2002	25¢	Fixed	S Africa	X	X	
E-00887-2003	50¢ Token	Fixed	S Africa	X	X	
E-00887-2004	1 Rand Token	Fixed	S Africa	X	X	
E-00887-2005	1 Rand	Fixed	S Africa	X	X	
E-00887-2006	2 Rand	Fixed	S Africa	X	X	
E-00887-2007	ANY	Programmable	Any	X	X	
E-00227-2010	5 Rand Token	Fixed	S Africa	X	X	
E-00887-2012	ANY	Programmable	Any	X		
E-00887-2013	Monte Carlo 50C	Fixed	S Africa	X	X	
E-00887-2014	Monte Carlo 1 Rand	Fixed	S Africa	X	X	
E-00887-2015	Monte Carlo 2 Rand	Fixed	S Africa	X	X	
E-00887-2016	Monte Carlo 5 Rand	Fixed	S Africa	X	X	
E-00887-2017	Monte Carlo 10 Rand	Fixed	S Africa	X	X	
E-00887-2023	\$5 Token	Programmable	Any	X		
E-00887-2024	25¢	Fixed	S Africa	X	X	

National Rejectors, Inc.

E-00887-45XX

☑ Upright



PART #	<ul style="list-style-type: none"> <li>CN = Canadian</li> <li>DM = German Mark</li> <li>F = French Franc</li> <li>SwK = Swedish Kronor</li> <li>SwF = Swiss Franc</li> <li>HG = Holland Guilder</li> <li>FM = Finland Markka</li> <li>EU = Euro</li> <li>DK = Denmark Droner</li> <li>P = Philippines Pesco</li> <li>CF = Chile Fichs</li> <li>UF = Uruguay Fichs</li> </ul>									
	CH1	CH2	CH3	CH4	CH5	CH6	UP	SL	S6E	
E-00887-4501	.05 US						X			
E-00887-4502	.10 US						X			
E-00887-4503	.50 US						X			
E-00887-4504	1.00 US						X			
E-00887-4505	.05 CA						X			
E-00887-4506	.25 CA						X			
E-00887-4507	1.00 CA						X			
E-00887-4508	2.00 CA						X			
E-00887-4509	2 DM						X			
E-00887-4510	5 DM						X			
E-00887-4511	1 FF						X			
E-00887-4512	2 FF						X			
E-00887-4513	5 FF						X			
E-00887-4514	1 SwK						X			
E-00887-4515	.25 HG						X			
E-00887-4516	1 HG						X			
E-00887-4517	1 DK						X			
E-00887-4518	2 P						X			
E-00887-4519	1 CF						X			
E-00887-4520	2 CF						X			
E-00887-4521	1 UF						X			
E-00887-4522	3 UF						X			
E-00887-4523	50SwF						X			
E-00887-4524	1SwF						X			
E-00887-4525	50EU						X			
E-00887-4526	1EU						X			
E-00887-4527	2EU						X			

# ProSlot® 6000

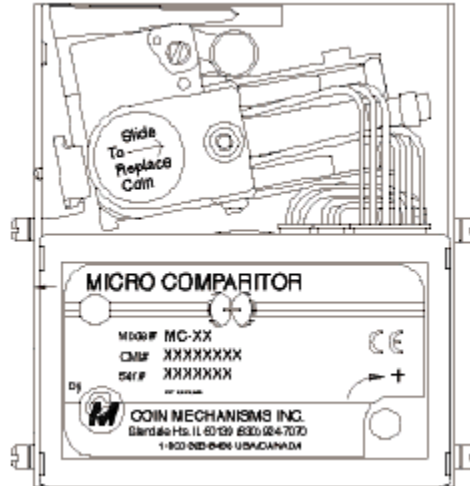
## Coin Acceptor Selections E-00887-(SERIES)

☑ Upright / ☑ Slant / ☑ S6E

Coin Mechanisms, Inc. MC-16 E-00887-6XXX

☑ Upright / ☑ Slant

PART #	WEIGHT (GRAMS)	DENOM	DESCRIPTION	UP	SL	S6E
E-00887-6001	0.70	1¢	MC-160E,24VDC, INH HI, PR 15	X	X	
E-00887-6002	2.60	5¢	MC-160E,24VDC, INH HI, PR 15	X	X	
E-00887-6003	0.70	10¢	MC-160E,24VDC, INH HI, PR 15	X	X	
E-00887-6004	6.00	25¢	MC-160E,24VDC, INH HI, PR 15	X	X	
E-00887-6005	14.2	50¢ / \$1 Token	MC-160E,24VDC, INH HI, PR 15	X	X	
E-00887-6008	9.00	50¢ Token	MC-160E, 24VDC, INH HI, PR 15	X	X	

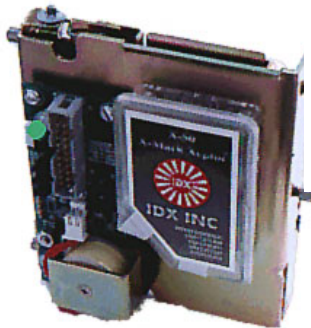


Coin Mechanisms, Inc. MC-16

## IDX

☑ Upright / ☑ Slant / ☑ S6E

## E-X(SERIES)



P/N	DESCRIPTION	UP	SL	S6E
E-X10C-C040236	IDX X10, 1.18/1.25D, .087T, CC-16	X		
E-X10C-C040336	IDX X10, 1.05/1.125, X3, CC-16 (OLGC)	X	X	
E-X10C-C040436	IDX X10, .928/998D, .087T, CC-16	X		
E-X10C-C040636	IDX X10, .800/870, X3, CC-16 (OLGC)	X	X	
E-X10C-C041236	IDX X10, 1.18/1.25D, .097T, CC-16	X		
E-X10C-C043036	IDX X10, 1.40/1.47, X3, CC-16 (OLGC)	X	X	
E-X10C-C043136	IDX X10, 1.28/1.35, X3, CC-16 (OLGC)	X	X	
E-X10C-C043A36	IDX X10, 1.118/1.18, X3, CC-16 (OLGC)	X	X	
E-X10C-C044A36	IDX X10, 1.118/1.18, X3, CC-16 (OLGC)	X	X	
E-X10C-C170336	IDX X10, 1.05/1.125, X4, PP-16 (OLGC)	X	X	
E-X10C-C170436	IDX X10, .928/998D, X4, CC-16 (OLGC)	X	X	
E-X10C-C170636	IDX X10, .800/870, X4, PP-16 (OLGC)	X	X	
E-X10C-C171236	IDX X10, 1.18/1.25, X4, CC-16 (OLGC)	X	X	
E-X10C-C171736	IDX X10, 1.035/1.105X4, CC-16 (OLGC)	X	X	
E-X10C-C173036	IDX X10, 1.40/1.47, X4, PP-16 (OLGC)	X	X	
E-X10C-C173136	IDX X10, 1.28/1.35, X4, PP-16 (OLGC)	X	X	
E-X10C-C173A36	IDX X10, 1.118/1.18, X4, PP-16, (OLGC)	X	X	
E-X10C-C174636	IDX X10, .800/870, X4, CC-16 (OLGC)	X	X	
E-X10C-C373036	IDX X10, 1.4/1.47, Grand Victoria	X	X	
E-X10C-C480136	IDX X10, 1.28/1.35D, .087T, CC-16	X		
E-X10C-C480536	IDX X10, .84/910D, .087T, CC-16	X	X	
E-X10C-C480636	IDX X10, .80/870D, .087T, CC-16	X	X	
E-X10C-C481231	IDX X10, 1.18/1.25D, .097T, CC-62	X		
E-X10C-C481236	IDX X10, 1.18/1.25D, .097T, CC-16	X		
E-X10C-C481731	IDX X10, 1.035/1.105, .097, CC-62	X	X	
E-X10C-C8B1436	IDX X10, .928/998, .097T, CC-16			X
E-X12C-C480436	IDX X10, .928/998D, .087T, CC-16	X		
E-X12C-C484636	IDX X10, .800/870D, .092T, CC-16	X		
E-X14C-C040436	IDX X10, .75/1.0D, CC-16, 0/60	X	X	
E-X14C-C040531	IDX X10, .840/910, X3, CC-62 (OLGC)	X		
E-X14C-C040536	IDX X10, .840/910, X3, CC-16 (OLGC)	X	X	
E-X14C-C170536	IDX X10, .840/910, X4, PP-16 (OLGC)	X	X	
E-X14C-C480436	IDX X10, .928/998D, .087T, CC-16	X		
E-X14C-C7B0436	IDX X10, .928/998, CC16, 105/165	X	X	
E-X14C-C7B0536	IDX X10, .840/910, X2, CC-16 (OLGC)	X	X	
E-X14C-C8B0436	IDX X10, .928/998, CC16, 30/142	X	X	
E-X14C-C8B0536	IDX X10, .840/910, X1, CC-16 (OLGC)	X	X	
E-X20DBCNN77341	IDX X20D, 1.035/1.105D, 1#/10P (United Kingdom)	X		
E-X20DBCNN77342	IDX X20D, 1.035/1.105D, 1#/20P (United Kingdom)	X		
E-X20DBCNN77345	IDX X20D, 1.035/1.105D, 1#/50P (United Kingdom)	X		
E-X70A-C371236	IDX X70, 1.7/1.87, Grand Victoria	X	X	
E-X70A-C480036	IDX X70, 1.34/1.55D, .110T, CC-16	X	X	
E-X70A-C8B0236	IDX X70, 1.7/1.87D, .110T, CC-16W	X		
E-X70A-C8B1236	IDX X70, 1.7/1.87D, .130T, CC-16W	X		
E-X70A-C8B2136	IDX X70, 1.55/1.7D, .150T, CC-16W	X		
E-X70A-C8B2236	IDX X70, 1.7/1.87D, .150T, CC-16W	X		
E-X72A-C8B0136	IDX X70, 1.55/1.7D, .110T, CC-16W	X		
E-X74A-C8B0136	IDX X70, 1.55/1.7D, .110T, CC-16W	X		

## ProSlot® 6000

### Bill Acceptor Selections E-011XX-(SERIES)

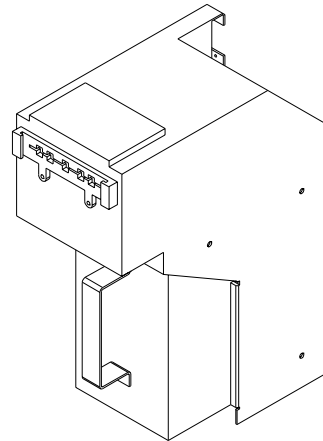
Upright /  Slant /  S6E

JCM WBA

E-01100-(SERIES)

Upright /  Slant /  S6E

PART #	DESCRIPTION	GUIDE P/N	UP	SL	S6E
E-01100-0001	JCM WBA-10-SS/XXX-501-03	GJ-04000-0001	X	X	
E-01100-0002	JCM WBA-11-SS/XXX-501-03	GJ-04000-0001	X	X	
E-01100-0003	JCM WBA-20-SS/XXX-502-03	GJ-04000-0002	X	X	
E-01100-0004	JCM WBA-21-SS/XXX-502-03	GJ-04000-0002	X	X	
E-01100-0005	JCM WBA-12-SS/XXX-501-03	GJ-04000-0001	X	X	X
E-01100-0006	JCM WBA-13-SS/XXX-501-03	GJ-04000-0001	X	X	X
E-01100-0007	JCM WBA-25-SS/XXX-501-03	N/A	X	X	X
E-01100-0008	JCM WBA-22-SS/CAN-502-03	GJ-04000-0002	X	X	
E-01100-0009	JCM WBA-23-SS/CAN-502-03	GJ-04000-0002	X	X	X
E-01100-0010	JCM WBA-24-SSA/EUR-505-03-015	N/A	X	X	X
E-01100-0011	JCM WBA-12-SS-XXX-501-03-015	GJ-04000-0001		X	X
E-01100-0012	JCM WBA-13-SS-XXX-501-03-015	GJ-04000-0001		X	X

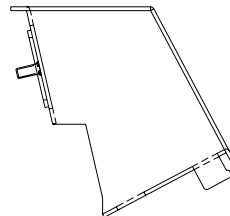


GPT

E-01120-(SERIES)

Upright /  Slant

PART #	DESCRIPTION	COUNTRY	UP	SL	S6E
E-01120-0001	Wide	Malaysia	X	X	
E-01120-0002	Wide	Austria	X	X	
E-01120-0003	Narrow	Usa	X	X	
E-01120-0005	Wide	Germany	X	X	
E-01120-0006	Narrow	Russia	X	X	
E-01120-0007	Wide	Finland	X	X	
E-01120-0008	Wide	Belgium	X	X	
E-01120-0010	Narrow	South Africa	X	X	
E-01120-0011	Wide	Greece	X	X	
E-01120-0012	Wide	Malta with Barcode	X	X	
E-01120-0013	Wide	Uruguay	X	X	
E-01120-0014	Wide	Slovenia	X	X	
E-01120-0015	Narrow	Philippines	X	X	
E-01120-0018	Narrow	Venezuela	X	X	
E-01120-0020	Narrow (Argus)	Worldwide	X	X	
E-01120-0021	Wide (Argus)	Worldwide	X		



GPT Bill Acceptor Bezel  
A-04361-0062  
 Upright



ARDAC

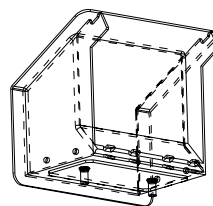
E-01124-(SERIES)

Upright /  Slant

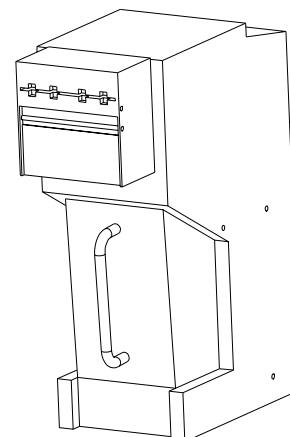
PART #	COUNTRY	UP	SL	S6E
E-01124-0001	Malaysia	X	X	
E-01124-0002	Austria	X	X	
E-01124-0003	United States	X	X	
E-01124-0005	Germany	X	X	
E-01124-0007	Finland	X	X	
E-01124-0008	Belgium	X	X	
E-01124-0010	South Africa	X	X	
E-01124-0011	Zimbabwe	X	X	



NOTE: ARDAC bill acceptors ship with one extra bill box for a total of two.



ARDAC Bill Acceptor Bezel P-A4000-6001  
 Upright





# ProSlot® 6000

## Bill Acceptor Selections E-011XX-(SERIES)

Upright /  Slant /  S6E

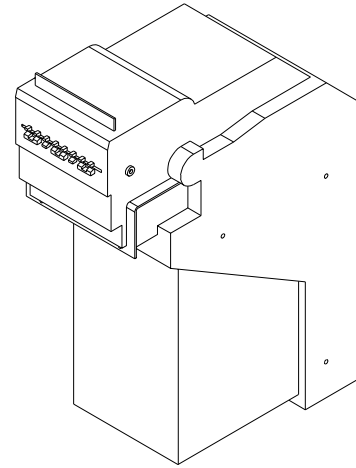
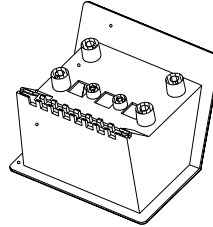
MARS E-21100-(SERIES)

Upright /  Slant /  S6E

PART #	DESCRIPTION	VERSION	UP	SL	S6E
E-21100-0001	ZT1105-US 67-71MM	Flash	X	X	X
E-21100-0002	ZT1204-US 67-71MM	Flash	X	X	X
E-21100-0003	ZT1105P-US 67-71MM	EPROM	X	X	X
E-21100-0004	ZT1204P-US 67-71MM	EPROM	X	X	X



NOTE: MARS bill acceptors include one cash box (Part # E-00983-0041).



Mars Bill Acceptor Bezel  
MB-M4000-6011  
 Upright

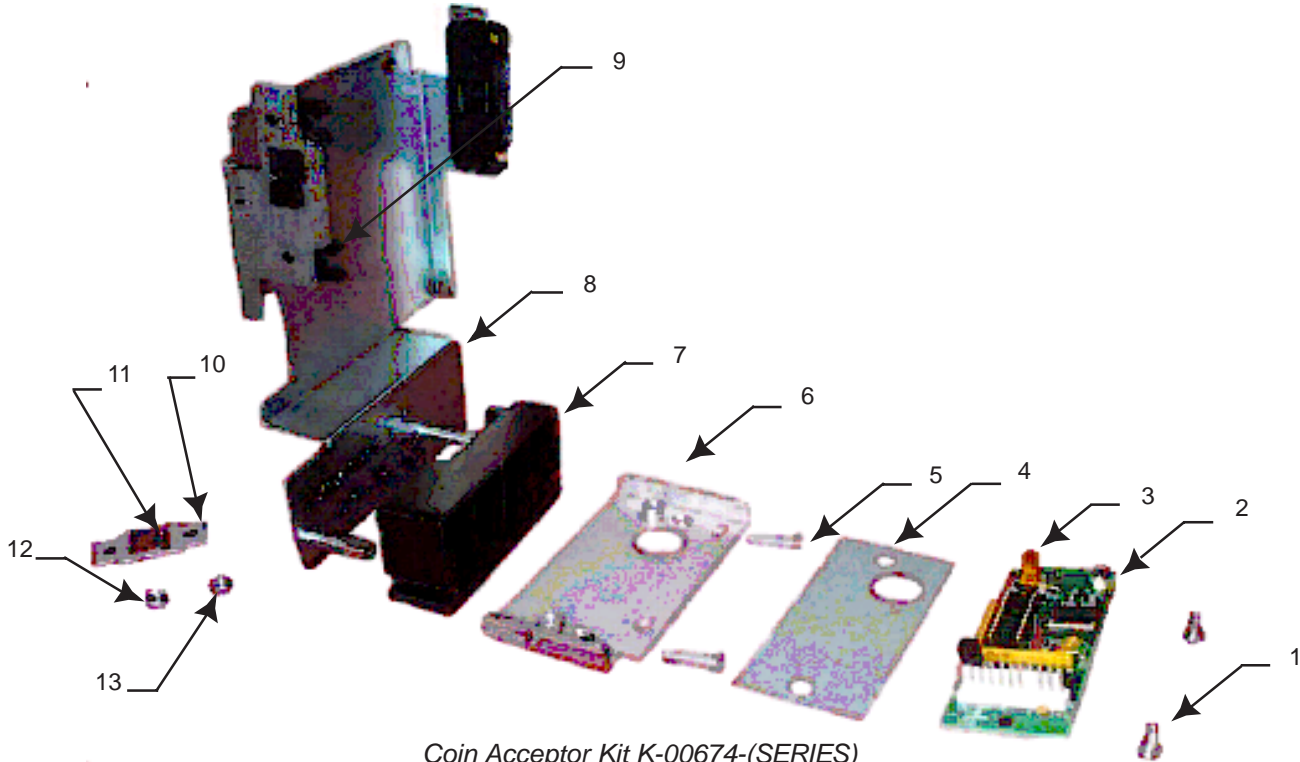
## Coin Acceptor Kit K-00674-(SERIES)

Upright

ITEM	QTY	P/N	DESCRIPTION
1	2	LSPP-00632-1104	SCREW
2	1	AS-03356-0303	COIN OPTIC DECODER 2 BOARD
3	1	E-01091-0004	PROGRAMMED COD51, PIC16C54
4	1	P-00150-0288	COD FISHPAPER
5	2	LSPP-00832-1106	SCREW
6	1	P-09384-0001	PLATE, FRONT OPTIC BLOCK
7	1	PAGE 9	OPTIC BOARD MOUNTING BLOCK
8	1	P-06004-0186	BRACKET, COIN ACCEPTOR, NARROW
		P-06004-0036	BRACKET, COIN ACCEPTOR, WIDE
		P-06004-0187	BRACKET, COIN ACCEPTOR, IDX X70
9	2	M-06002-0002	CLIP, COIN ACCEPTOR MOUNTING
10	1	M-01755-0942	PRISM, COIN OPTIC
11	1	P-09322-0196	BRACKET, PRISM MOUNTING
12	1	NLS-00440-1112	NUT
13	1	NLS-00632-1112	NUT

AVAILABILITY:

PART #	DESCRIPTION
K-00674-0236	Coin Acceptor Kit, Narrow (0.70-1.50)
K-00674-0237	Coin Acceptor Kit, Wide (1.50-2.0)
K-00674-0262	Coin Acceptor Kit, Narrow, No COD (0.70-1.5)
K-00674-0264	Coin Acceptor Kit, Wide, No COD (1.50-2.0)
K-00674-0266	Coin Acceptor Kit, Narrow, NR
K-00674-3009	Coin Acceptor Kit, IDX X70



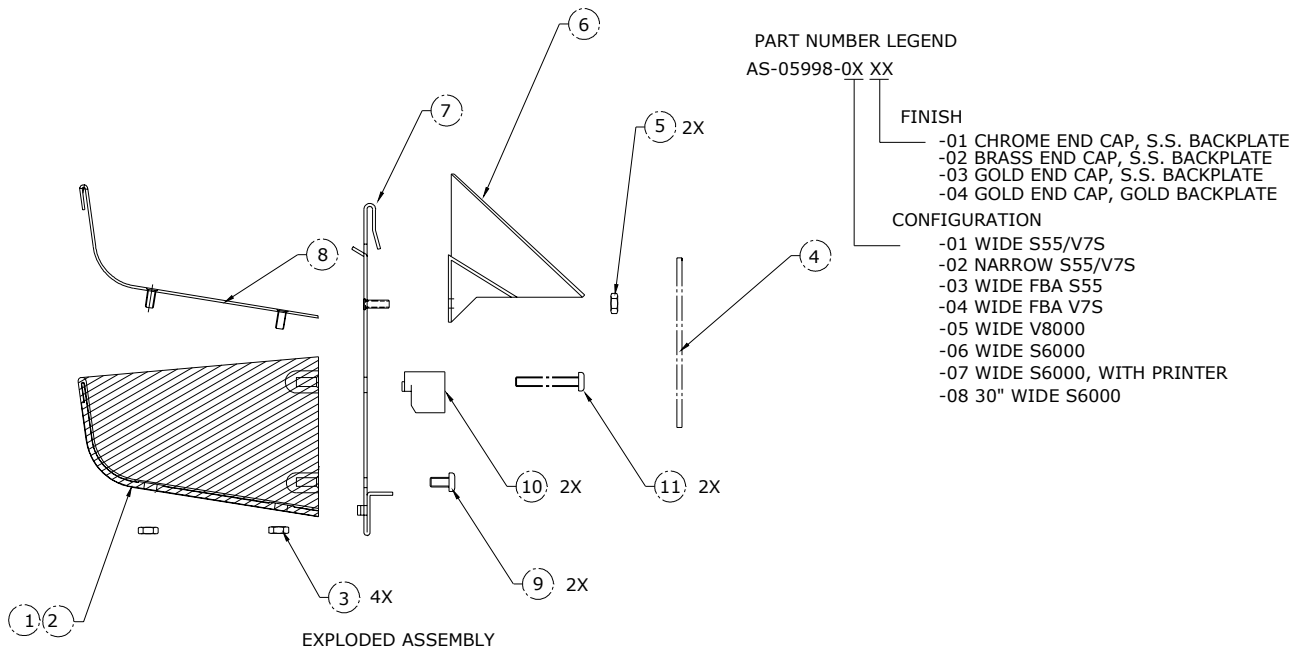
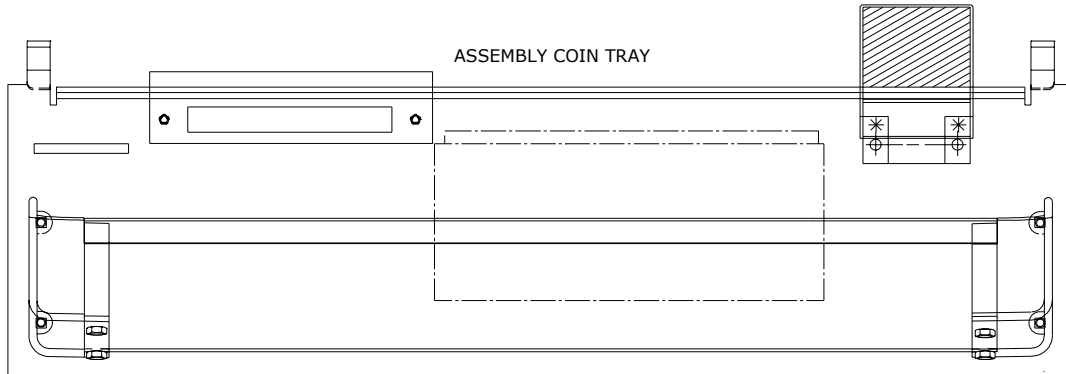
Coin Acceptor Kit K-00674-(SERIES)

| - Revised, || - New  
ProSlot® 6000

## ProSlot® 6000

### Backplate with Coin Tray AS-05998-(SERIES)

☑ Upright



REF	PART #	DESCRIPTION	QTY
1	See Legend	End Cap, Coin Cup, Right	1
2	See Legend	End Cap, Coin Cup, Left	1
3	M-00319-0003	Elastic, Stop Nut (Esna)	4
4	M-01777-5415	Envelope, Plastic, 7 3/4 X 3	1
5	NLS-00832-11121	Nut, 8-32 Hex	2
6	P-09189-0017	Chute, Drop	1

REF	PART #	DESCRIPTION	QTY
7	See Legend	Back Plate, Coin Tray	1
8	P-09319-076A	Tray, Coin, Stainless Steel	1
9	LSPP-01032-1106	Screw, 10-32 X 3/8 Thd Form Phil Pan Hd	2
10	M-03099-0004	Catch, Coin Tray	2
11	See Legend	Screw, 10-32 X Legend Phil Pan Hd	2

### Legend

PART #	DESCRIPTION	ITEM 1 - END CAP	ITEM 2 - END CAP	ITEM 7 - BACK PLATE	ITEM 11 - SCREW
AS-05998-0601	Coin Tray, Wide Chrome/Stainless Steel Plate	C-04710-0101	C-04710-0102	P-06001-0002	LSPP-01032-1112
AS-05998-0603	Coin Tray, Wide Gold/Stainless Steel Plate	C-04710-0109	C-04710-0110	P-06001-0002	LSPP-01032-1120
AS-05998-0604	Coin Tray, Wide Gold/Gold Plate.	C-04710-0113	C-04710-0114	P-06001-0004	LSPP-01032-1120
AS-05998-0701	Coin Tray, Wide Chr/Stainless Steel Plate, Printer	C-04710-0101	C-04710-0102	P-06011-00P6	LSPP-01032-1112
AS-05998-0703	Coin Tray, Wide Gold/Stainless Steel Plate, Printer	C-04710-0109	C-04710-0110	P-06011-00P6	LSPP-01032-1120
AS-05998-0704	Coin Tray, Wide Gold/Gold Plate, Printer	C-04710-0113	C-04710-0114	P-06011-00P7	LSPP-01032-1120
AS-05998-0901	Coin Tray, Wide, Polished Chrome/Stainless Steel Plate (Ontario)	C-04710-0101	C-04710-0102	P-06011-00P6	LSPP-01032-1112
AS-05998-0903	Coin Tray, Wide, Polished Gold/Stainless Steel Plate (Ontario)	C-04710-0101	C-04710-0102	P-06011-00P6	LSPP-01032-1112
AS-05998-0904	Coin Tray, Titanium Gold/Gold Plate (Ontario)	C-04710-0109	C-04710-0110	P-06011-00P6	LSPP-01032-1120

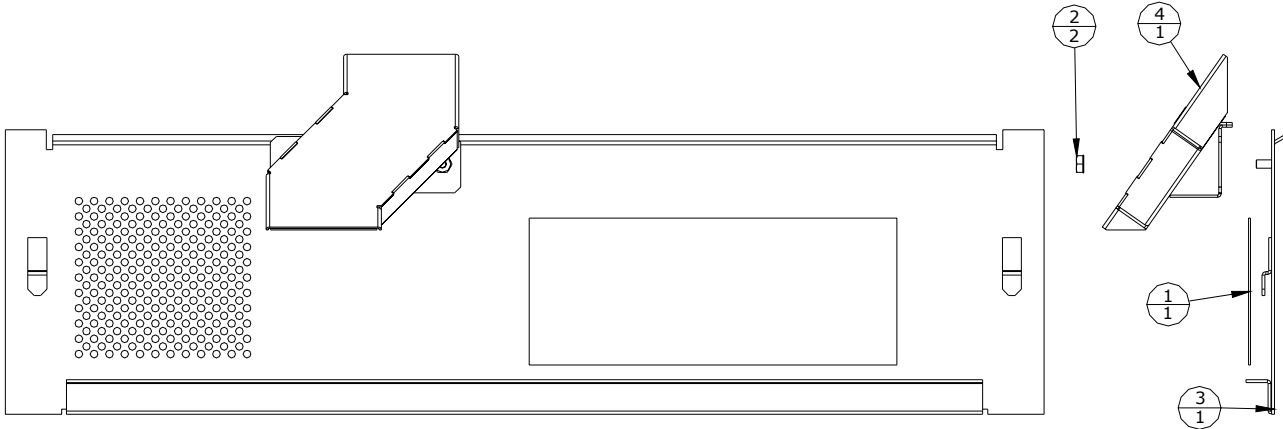


## ProSlot® 6000

### Backplate No Coin Tray, Stainless Steel AS-06610-0001

Upright

REF	PART #	DESCRIPTION	QTY
1	M-01777-5415	Envelope, Plastic, 7.5 x 3.0	1
2	NLS-00832-1112	Hex Nut	2
3	P-06001-0003	Plate, Back, No Coin Tray	1
4	P-09189-0017	Chute, Drop	1



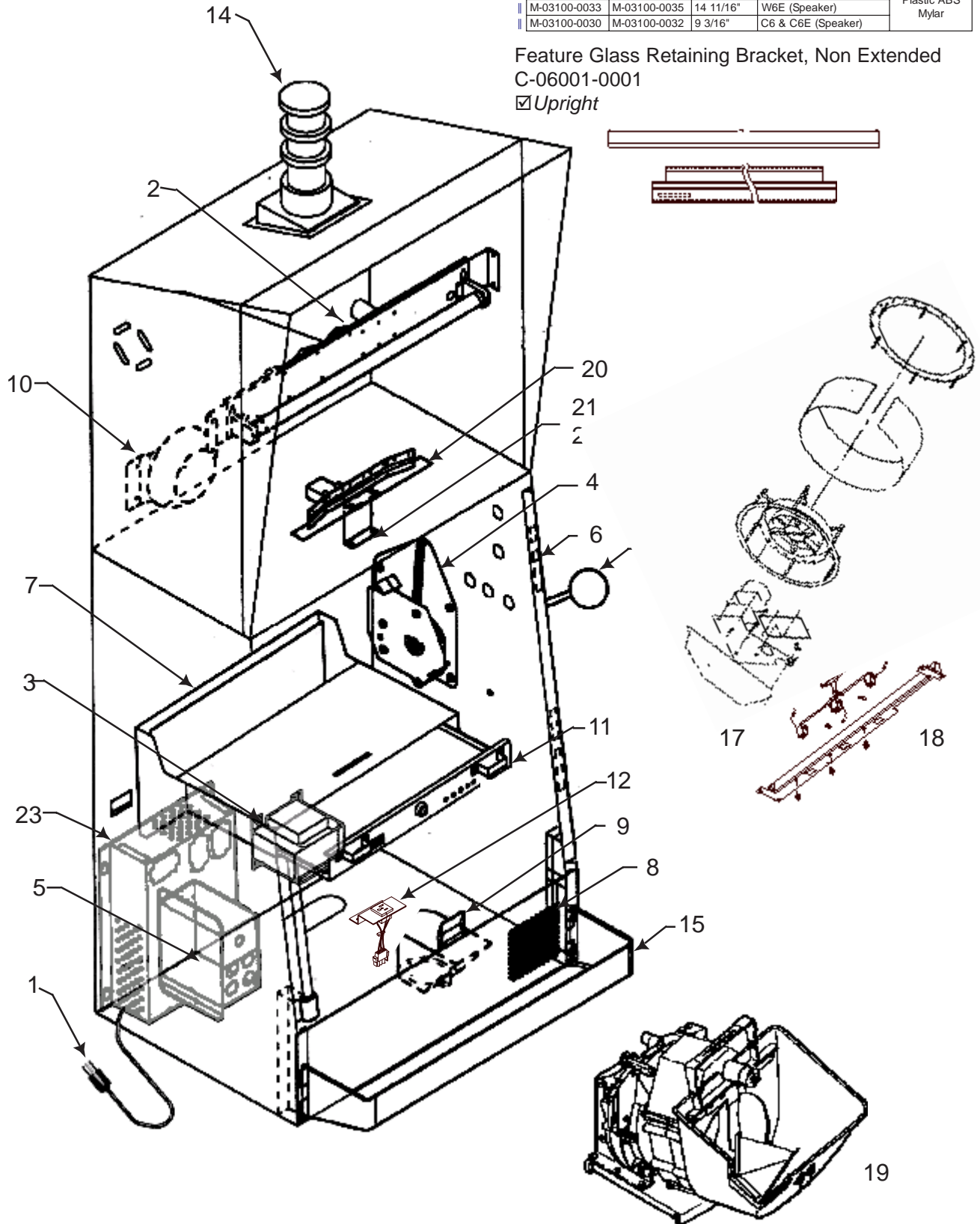
## ProSlot® 6000

### Cabinet Assembly

FEATURE GLASS CHANNEL				
CHROME	BRASS	DIM A	WHERE USED	MATERIAL
M-03100-0001	M-03100-0007	14 11/16"	W6 & W6E	Extruded Plastic ABS Mylar
M-03100-0002	M-03100-0008	9 3/16"	C6 & C6E	
M-03100-0033	M-03100-0035	14 11/16"	W6E (Speaker)	
M-03100-0030	M-03100-0032	9 3/16"	C6 & C6E (Speaker)	

Feature Glass Retaining Bracket, Non Extended  
C-06001-0001

Upright



# ProSlot® 6000

## Cabinet Assembly

ITEM	PART #	DESCRIPTION	PAGE
1	E-00126-(SERIES)	Line Cord Assembly	26
2	AS-0X335-(SERIES)	Starter/Ballast Assembly	20
3	E-00122-(SERIES)	Transformer	23
4	AS-02301-0028	Handle Mechanism Assembly	31
5	AS-03025-0152	Cabinet Power Cable	18
	AS-03025-0153	Hopper Cable	19
6	AS-03356-0428	Door Optic Detector Board	—
7	AS-06604-(SERIES)	Card Rack/Backplane	20
8	E-00281-(SERIES)	Speaker	27
9	M-03110-0001	Drop Chute Cup	—
10	E-00664-0466	Bell and Receptacle	26
11	AS-06605-0001	Card Rack Door/MPU Board For MPU Board Selection	21
12	AS-03268-(SERIES)	Convenience Outlet	25

ITEM	PART #	DESCRIPTION	PAGE
13	AS-02303-(SERIES)	Handle Assembly	31
14	P-09323-(SERIES)	Tower Hole Cover	—
	M-03097-0005	Tower Base	28
	TWRX-(SERIES)	Tower Selections	
15	AS-05998-(SERIES)	Back Plate With Coin Tray	15
	AS-06610-0001	Back Plate No Coin Tray	16
17	AS-04716-(SERIES)	Reel Mechanism	33
	AS-04235-(SERIES)	Reel Drive / Motor	33
18	AS-04703-(SERIES)	Reel Support, Cable And Bracket	34
19	AS-06793-(SERIES)	Hopper	31
20	AS-04225-(SERIES)	Meter Assembly	30
21	P-06004-0026	Feature Glass Spring Stop Bracket	22
22	P-06005-0001	Feature Glass Retainer Spring	22
23	AS-04238-(SERIES)	MPU Board/Power Supply	22

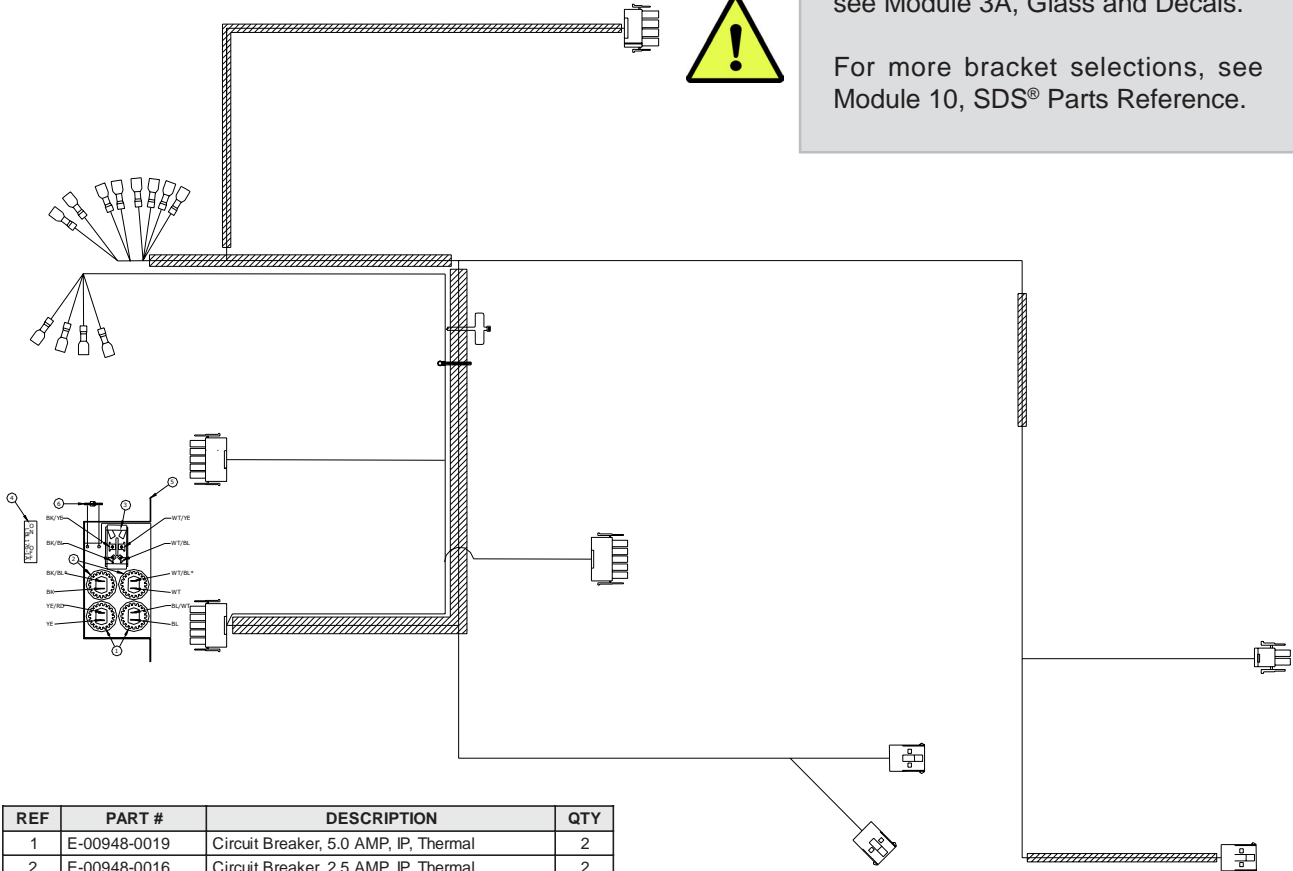
### Cabinet Power Cable ☑ Upright

AS-03025-0152



NOTE: For Feature Glass selections, see Module 3A, Glass and Decals.

For more bracket selections, see Module 10, SDS® Parts Reference.



REF	PART #	DESCRIPTION	QTY
1	E-00948-0019	Circuit Breaker, 5.0 AMP, IP, Thermal	2
2	E-00948-0016	Circuit Breaker, 2.5 AMP, IP, Thermal	2
3	E-00108-0365	Switch, Toggle, DPST, 0.25 Tabs	1
4	LBL-00176-001A	Label, On/Off	1
5	P-06004-0005	Switch, Fuse Bracket	1
6	E-00647-0004	4-Inch Cable Tie	1
7	CBL-30475-0001	Cable, Cabinet Power	1

## ProSlot® 6000

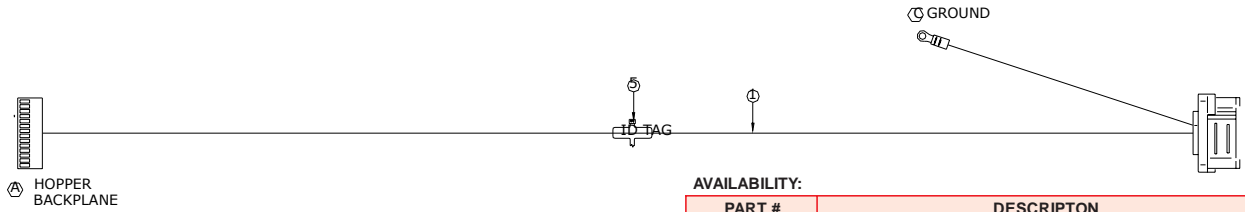
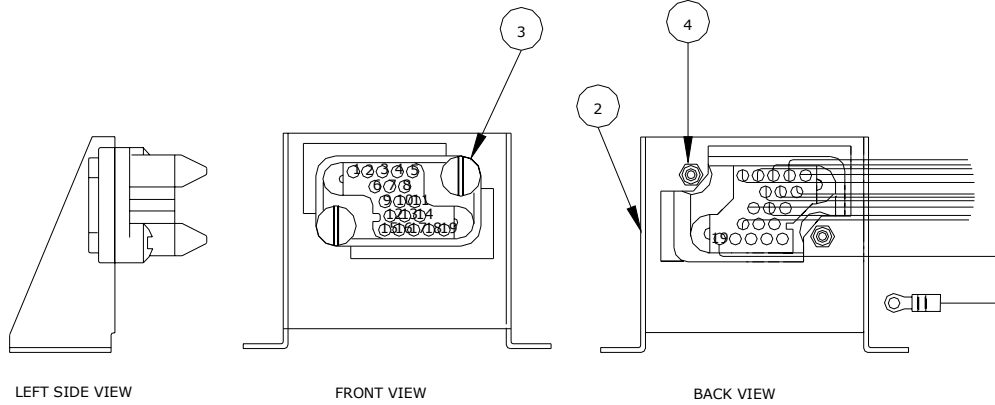
### Cabinet Assembly

Hopper Cable

Upright

AS-03025-0153

REF	PART #	DESCRIPTION	QTY
1	CBL-30476-0001	Cable, Hopper	1
2	P-09264-001A	Bracket, Hopper Plug	1
3	M-03063-001A	Screw, Shoulder	2
4	M-03064-001A	NUT, HEX, METRIC, M4 X 0.7, ZINC	2
5	E-00647-0020	CABLE MARKER TIE, "CABINET"	1

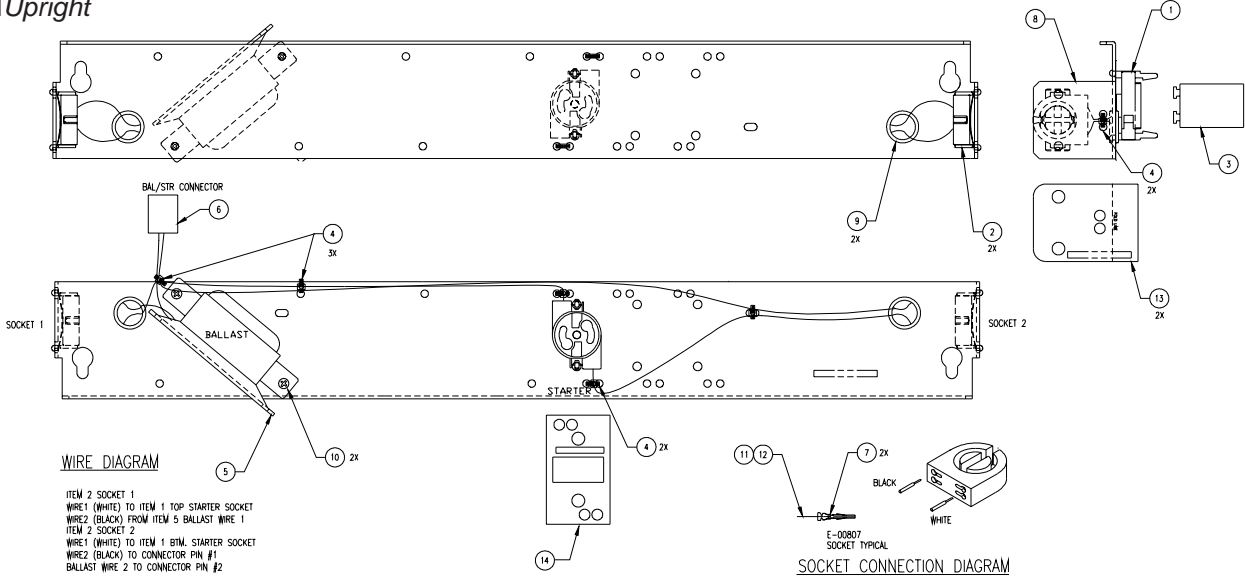


**AVAILABILITY:**

PART #	DESCRIPTION
AS-02335-0080	Starter/Ballast Assembly
AS-02335-0086	Starter/Ballast Assembly (Oval Top)

### Starter/Ballast Assembly, 60HZ. AS-02335-(SERIES)

Upright



REF	PART #	DESCRIPTION	QTY	PART #
1	E-00120-0285	Socket, Fluorescent Lamp Starter	1	0080
	E-00120-0265	Socket, Fluorescent Lamp Starter, CE97	1	0086
2	E-00120-0266	Socket, Fluorescent Lamp	2	0080
				0086
3	E-00411-0008	Starter, Fluorescent, FS-2	1	0080
	E-00411-0010	Starter, Fluorescent, FS-2	1	0086
4	E-00647-0004	Cable Tie	7	0080
				0086
5	E-00409-0010	Ballast Assembly	1	0080
				0086
6	E-00804-0002	Connector Housing Cap	1	0080
				0086
7	E-00807	Socket, Amp 24-18, Strip	2	0080
	E-00807-0002	Contact Socket, Amp 20-14 AWG	2	0086

REF	PART #	DESCRIPTION	QTY	PART #
8	P-09082-0003	Ballast/Starter Fluorescent Tube Bracket	1	0080
	P-09082-0008	Fluorescent Tube Mounting Bracket	1	0086
9	R-00111-0008	Grommet	2	0080
				0086
10	TFPP-00832-1104	Screw, 8-32 X 1/4 Thd Form Phil Pan Hd	2	0080
				0086
11	WIP-ES202-1880	PVC, Solid, 18 AWG Black Type TEW	A/R	0080
				0086
12	WIP-ES202-1850	PVC, Solid, 18 AWG White Type TEW	A/R	0080
				0086
13	P-00150-0291	Insulator, Polycarbonate, CE97	2	0080
				0086
14	P-00150-0292	Insulator, Polycarbonate, CE97	1	0080
				0086

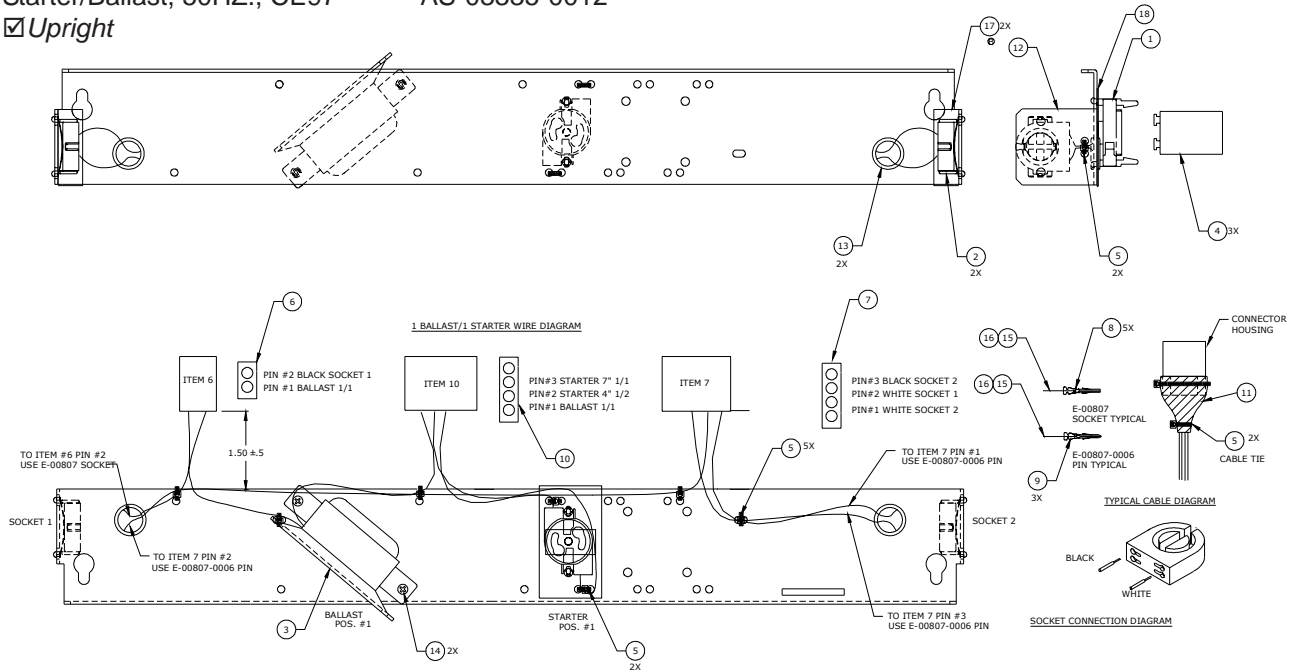
# ProSlot® 6000

## Cabinet Assembly

Starter/Ballast, 50HZ., CE97

AS-03335-0012

☑ Upright



REF	PART #	DESCRIPTION	QTY
1	E-00120-0265	Socket, Fluorescent Lamp Starter CE97	1
2	E-00120-0266	Socket, Fluorescent Lamp CE97	2
3	E-00409-0025	Ballast, F15T8, 50 Hz CE97	1
4	E-00411-0009	Starter, Fluorescent, FS-2 CE97	1
5	E-00647-0004	Cable Tie	15
6	E-00804-0002	Connector Housing Cap	1
7	E-00804-0004	Connector Housing Cap	1
8	E-00807	Socket, Amp 24-18, Strip	5
9	E-00807-0006	Pin, Amp 24-18, Strip	3

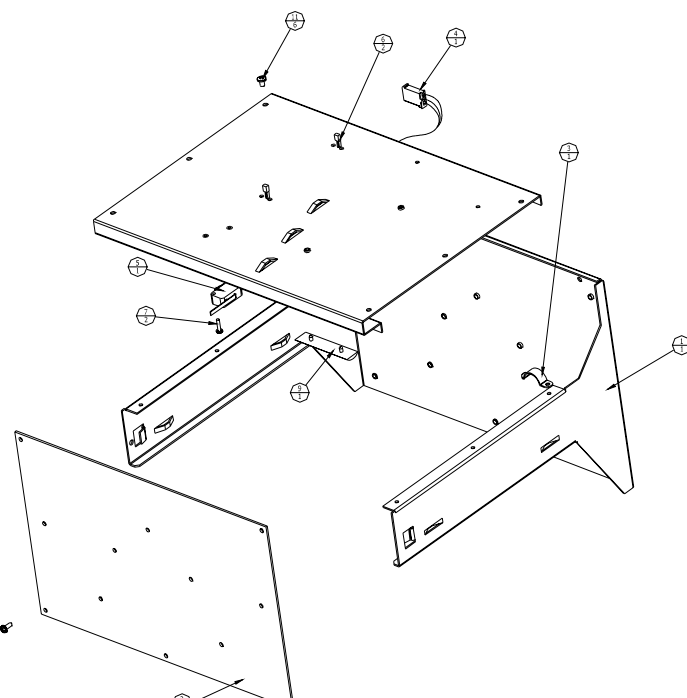
REF	PART #	DESCRIPTION	QTY
10	E-00808-0004	Connector Housing Plug	1
11	M-01777-5635	Shrink Tubing 1 1/2"	A/R
12	P-09082-0003	Ballast/Starter Fluorescent Tube Bracket	1
13	R-00111-0008	Grommet	2
14	TFPP-00832-1104	Screw, 8-32 X 1/4 Thd Form Phil Pan Hd	2
15	WIP-ES202-1880	PVC, Solid 18 AWG Black Type TEW	A/R
16	WIP-ES202-1850	PVC, Solid 18 AWG White Type TEW	A/R
17	P-00150-0291	Insulator, Polycarbonate CE97	2
18	P-00150-0292	Insulator, Polycarbonate CE97	1

## Card Rack/Backplane

AS-06604-(SERIES)

☑ Upright

REF	PART #	DESCRIPTION	QTY	PART #
1	A-06803-0001	MPU Wrap	1	0001 0004
2	AS-03356-0445	Backplane Board Assembly	1	0001 0004
3	C-00760	Clip, Tension, Nylon	1	0001 0004
4	CBL-20275-0001	MPU Door Switch Cable	1	0004
5	E-00108-0387	Bill Acceptor Door Switch	1	0004
6	E-00647-0004	Tie Wrap	2	0004
7	LSPP-00440-1108	Screw, Mach with Lock Phil Pan Hd	2	0004
8	LSPP-00632-1106	Screw, Mach with Lock Phil Pan Hd	12	0001 0004
9	M-03001-0001	Grounding Strip	1	0001 0004
10	P-06006-0004	MPU Housing Cover	1	0001 0004
11	TFPP-00832-1104	Screw, 8-32 X 1/4 Thd Form Phil Pan Hd	6	0001 0004



**AVAILABILITY:**

P/N	DESCRIPTION
AS-06604-0001	Card Rack/Backplane
AS-06604-0004	Card Rack/Backplane (South Africa)

| - Revised, || - New  
ProSlot® 6000

## ProSlot® 6000

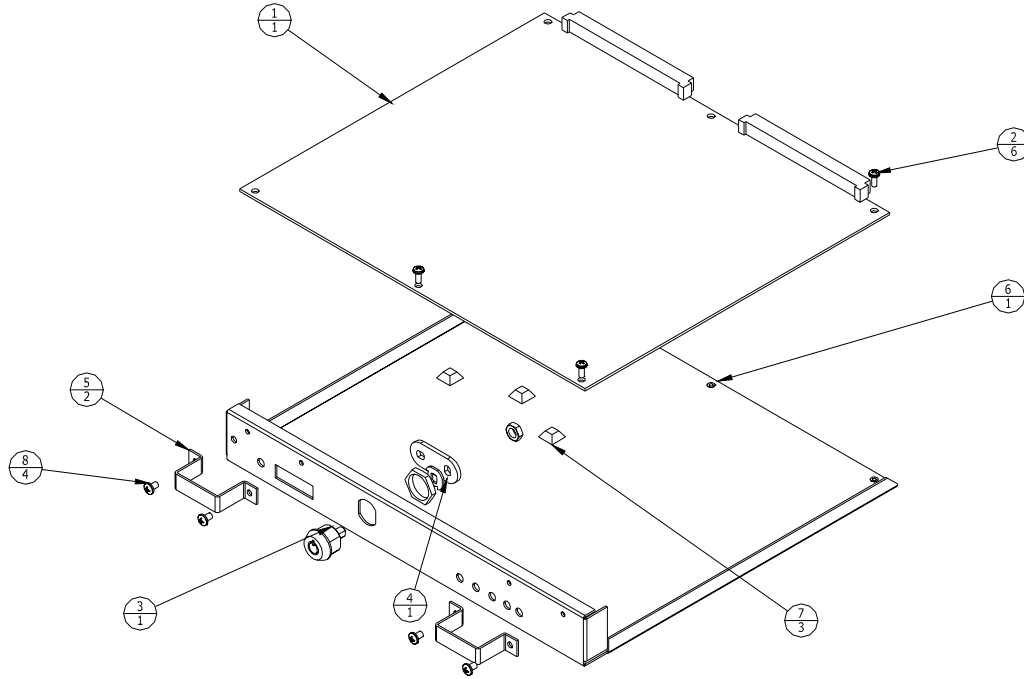
### Cabinet Assembly

Card Rack Door/MPU Board AS-06605-(SERIES)

Upright

AVAILABILITY:

P/N	DESCRIPTON
AS-06605-0001	Card Rack Door/MPU Board
AS-06605-0003	Card Rack Door/MPU Board
AS-06605-0005	Card Rack Door/MPU Board, DataVault™ (France)
AS-06605-0007	Card Rack Door/MPU Board (South Africa)
AS-06605-0014	MPU Board/Tray, 2 Lock



REF	PART #	DESCRIPTION	QTY	PART #
1	AS-03356-0424	MPU Board Assembly	1	-0001
				-0007
				-0014
	AS-03356-0438	MPU Board Assembly	1	-0003
	AS-03356-0478	MPU Board Assembly	1	-0005
2	LSPP-00632-1106	Screw, Mach with Lock Phil Pan Hd	6	-0001
				-0003
				-0005
				-0007
				-0014
3	M-00281-162A	Lock, No Cam, Door/Bill Acceptor	1	-0001
				-0003
				-0005
				-0014
	M-00281-0173	Lock, Thumb-Turn, Door, No Key	1	-0007
4	P-00758-0094	Cam, Bill Acceptor Stacker, MO281-0132	1	-0001
				-0003
				-0005
				-0007
	S-00231-1003	Spacer, Door Lock (Not Shown)	1	-0014
				-0009

REF	PART #	DESCRIPTION	QTY	PART #
5	P-06264-0332	Card Rack Door Handle	2	-0001
				-0003
				-0005
				-0007
				-0014
6	P-06802-0001	MPU Board Tray	1	-0001
				-0003
		P-06802-0005	MPU Board Tray	1
				-0007
				-0014
7	R-00409	Bumper	3	-0001
				-0003
				-0005
				-0007
				-0014
8	TFPP-00832-1104	Screw, 8-32 X 1/4 Thd Form Phil Pan Hd	4	-0001
				-0003
				-0005
				-0007
	S-00231-1035	Spacer, .87OD X .76ID X .125 THK (Not Shown)	1	-0014

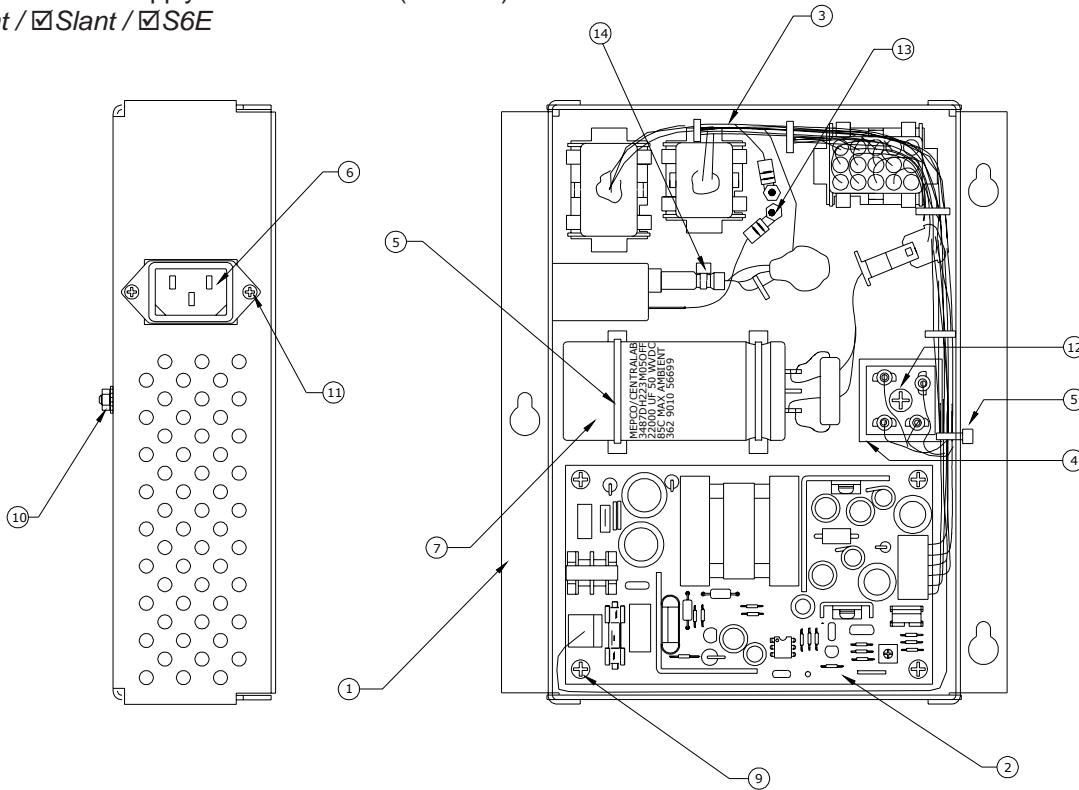
# ProSlot® 6000

## Cabinet Assembly

MPU Board/Power Supply/PDU AS-04238-(SERIES)  
 Upright /  Slant /  S6E

AVAILABILITY:

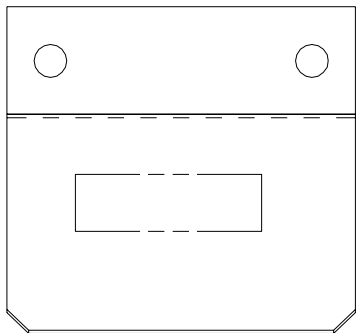
PART #	DESCRIPTION	UP	SL	S6E
AS-04238-0055	Power Supply, Low Leakage	X	X	X
AS-04238-0065	Power Supply, CSA	X	X	



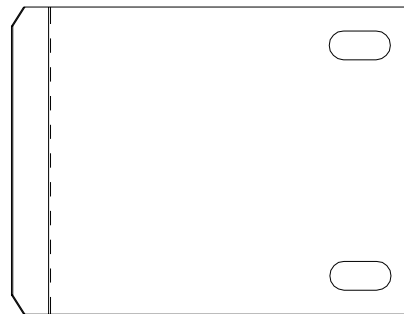
REF	PART #	DESCRIPTION	QTY	PART #
1	A-04345-0003	Assembly, Power Supply Case	1	0055
				0065
2	AS-02982-0035	Assembly, Power Supply PCB, CE97	1	0055
	AS-02982-0030	Assembly, Power Supply Board	1	0065
3	CBL-30180-0001	Cable, Power Supply, CE97	1	0055
				0065
4	E-00602-0016	Rectifier, Bridge	1	0055
				0065
5	E-00647-0005	Cable Tie	3	0055
				0065
6	E-00664-0558	Assembly, Line Filter, Low Leakage	1	0055
	E-00664-0594	Assembly, EMI Line Filter, Standard/CSA	1	0065
7	E-00664-0545	Assembly, Capacitor with Connector, CE97	1	0055
				0065
8	LBL-00183-0003	Label, Power Supply, 105-260VAC (Not Shown)	1	0055
				0065

REF	PART #	DESCRIPTION	QTY	PART #
9	LSPP-00632-1104	Screw	4	0055
				0065
10	NLS-00832-1112	Nut	1	0055
				0065
11	TFPP-00440-1106	Screw	2	0055
				0065
12	TFPP-00832-1112	Screw	1	0055
				0065
13	NLS-00832-2112	Nut	2	0055
				0065
14	E-00647-0004	Cable Tie	1	0055
				0065
15	LBL-00245-0001	Label, Ground Safety (Not Shown)	1	0055
				0065
16	LBL-00246-0004	Label, Low Leakage (Not Shown)	1	0055

Feature Glass Spring Stop Bracket P-06004-0026  
 Upright



Feature Glass Retainer Spring P-06005-0001  
 Upright





## ProSlot® 6000

### Cabinet Assembly

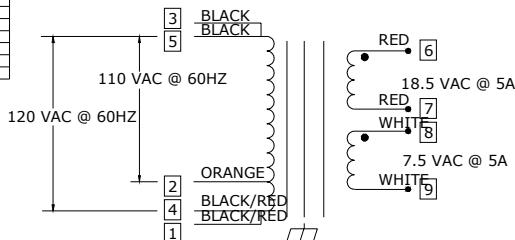
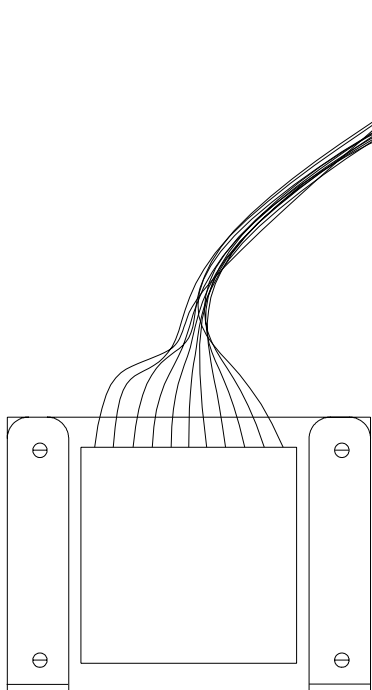
Transformer  
 Upright /  Slant /  S6E

E-00122-(SERIES)

Transformer, 120VAC, 60HZ

E-00122-0217

Upright /  Slant /  S6E



NO LOAD REQUIREMENTS							
PRIMARY WINDING	INPUT VOLTAGE	LOAD CURRENT	OUTPUT WINDING	OUTPUT VOLTAGE			
				MIN.	NOM.	MAX.	UNITS
BK-OR BK-BK/RD	110 VAC 120 VAC	0 AMPS	RD-RD	18.0	19.0	20.0	VAC
BK-OR BK-BK/RD	110 VAC 120 VAC	0 AMPS	WT-WT	7.5	7.8	8.1	VAC

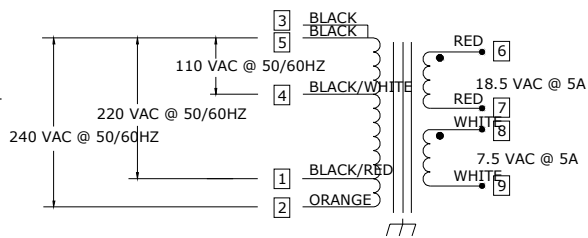
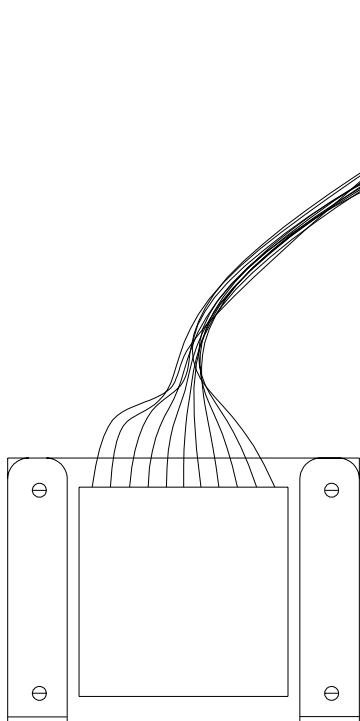
  

LOADED REQUIREMENTS							
PRIMARY WINDING	INPUT VOLTAGE	LOAD CURRENT	OUTPUT WINDING	OUTPUT VOLTAGE			
				MIN.	NOM.	MAX.	UNITS
BK-OR BK-BK/RD	110 VAC 120 VAC	5 AMPS	RD-RD	17.5	18.5	19.5	VAC
BK-OR BK-BK/RD	110 VAC 120 VAC	5 AMPS	WT-WT	7.1	7.5	7.9	VAC

Transformer, 220VAC, 50/60HZ.

E-00122-0218

Upright /  Slant /  S6E



NO LOAD REQUIREMENTS							
PRIMARY WINDING	INPUT VOLTAGE	LOAD CURRENT	OUTPUT WINDING	OUTPUT VOLTAGE			
				MIN.	NOM.	MAX.	UNITS
BK-OR BK-BK/RD	240 VAC 220 VAC	0 AMPS	RD-RD	18.0	19.0	20.0	VAC
BK-OR BK-BK/RD	240 VAC 220 VAC	0 AMPS	WT-WT	7.5	7.8	8.1	VAC
BK-OR BK-BK/RD	240 VAC 220 VAC	0 AMPS	BK-BK/WT	115	120	125	VAC

LOADED REQUIREMENTS							
PRIMARY WINDING	INPUT VOLTAGE	LOAD CURRENT	OUTPUT WINDING	OUTPUT VOLTAGE			
				MIN.	NOM.	MAX.	UNITS
BK-OR BK-BK/RD	240 VAC 220 VAC	5 AMPS	RD-RD	17.5	18.5	19.5	VAC
BK-OR BK-BK/RD	240 VAC 220 VAC	5 AMPS	WT-WT	7.1	7.5	7.9	VAC
BK-OR BK-BK/RD	240 VAC 220 VAC	1.5 AMPS	BK-BK/WT	115	120	125	VAC

# ProSlot® 6000

## Cabinet Assembly

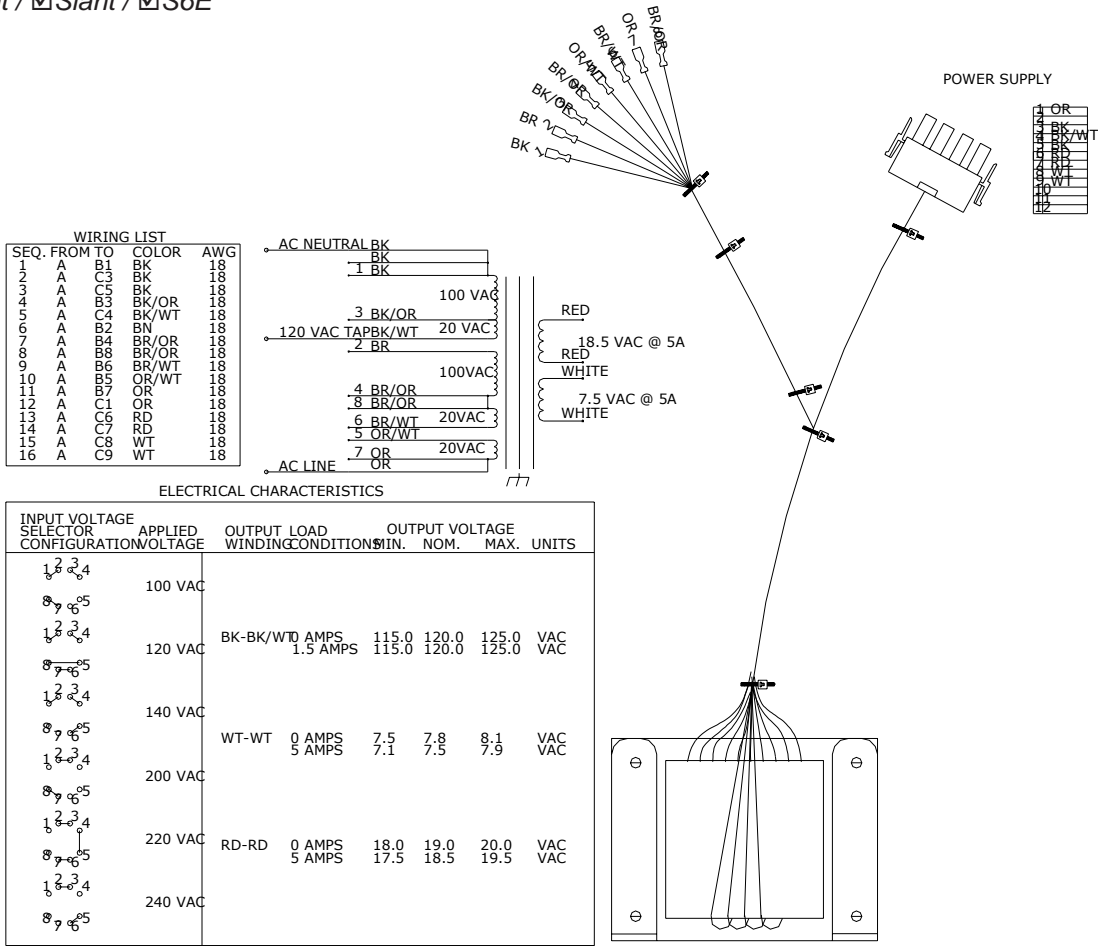
Transformer

E-00122-(SERIES)

Transformer, 100-240VAC, 50/60 Universal Input  
E-00122-0229

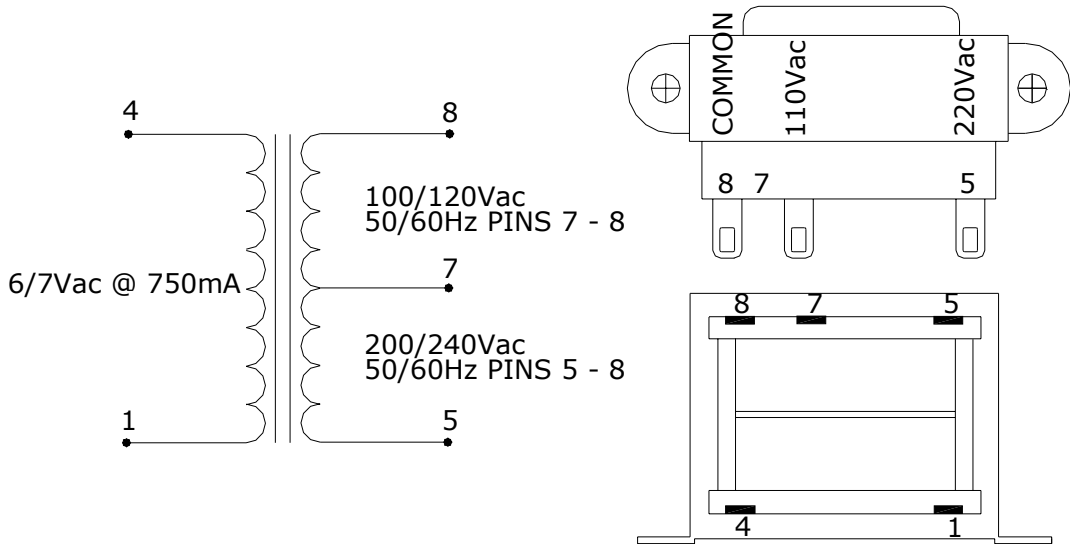
Upright

Upright /  Slant /  S6E



Transformer, 115/230-6VAC, 50/60HZ (Air Force)  
E-00122-0231

Upright



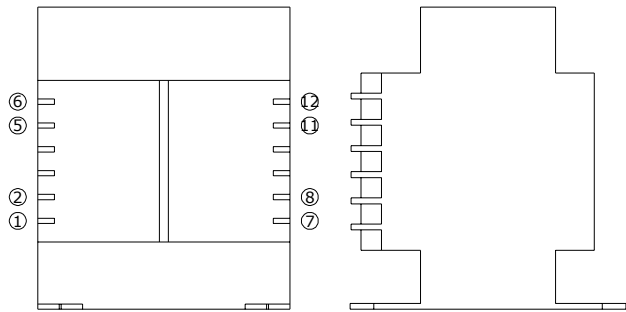
## ProSlot® 6000

### Cabinet Assembly

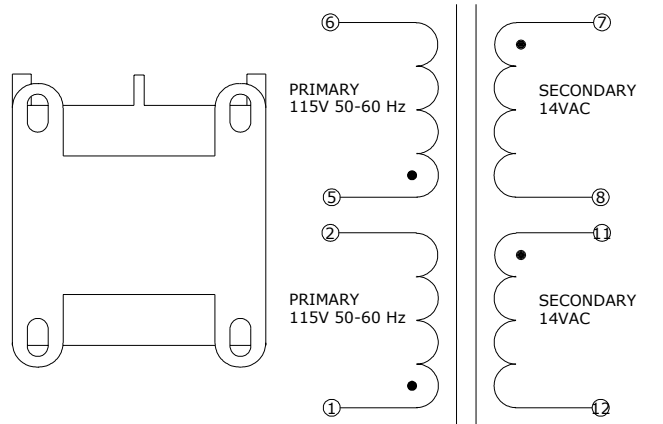
Transformer

Upright /  Slant /  S6E

E-00122-(SERIES)



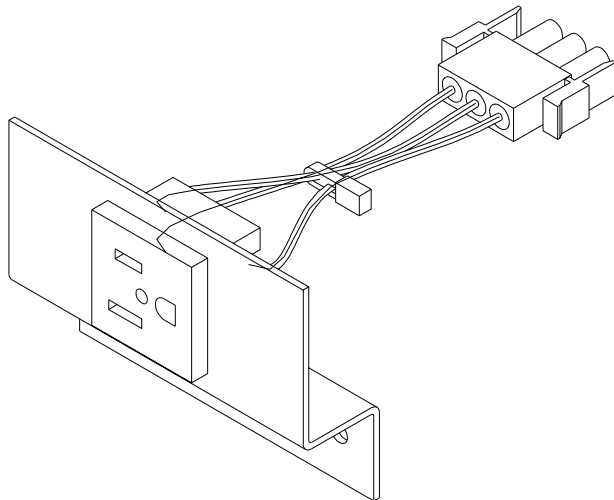
Transformer, 14/28VAC, 130VAC  
E-00122-0249



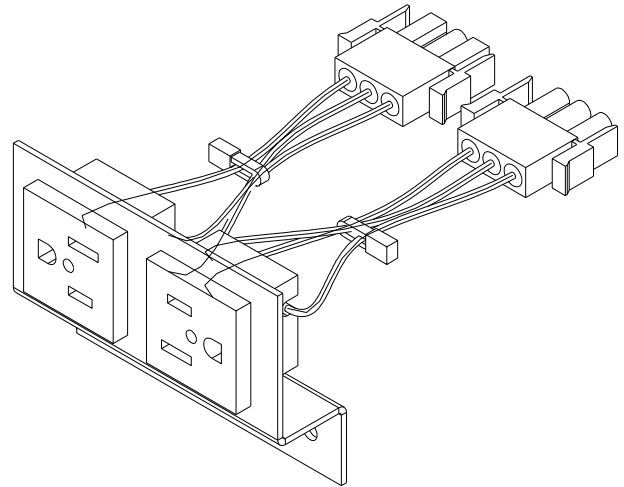
Convenience Outlet

Upright /  Slant /  S6E

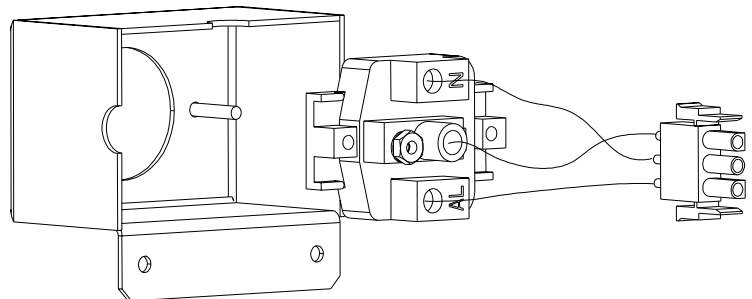
AS-03268-(SERIES)



Convenience Outlet (United States)  
AS-03268-0004



Convenience Outlet, Dual, 120VAC  
AS-03268-0007



Convenience Outlet (Argentina/Australia)  
AS-03268-0013

AVAILABILITY:

PART #	DESCRIPTION	UP	SL	S6E
AS-03268-0003	Convenience Outlet (Italy)	X	X	X
AS-03268-0008	Convenience Outlet (United Kingdom)	X	X	X
AS-03268-0011	Convenience Outlet (United States)	X	X	X

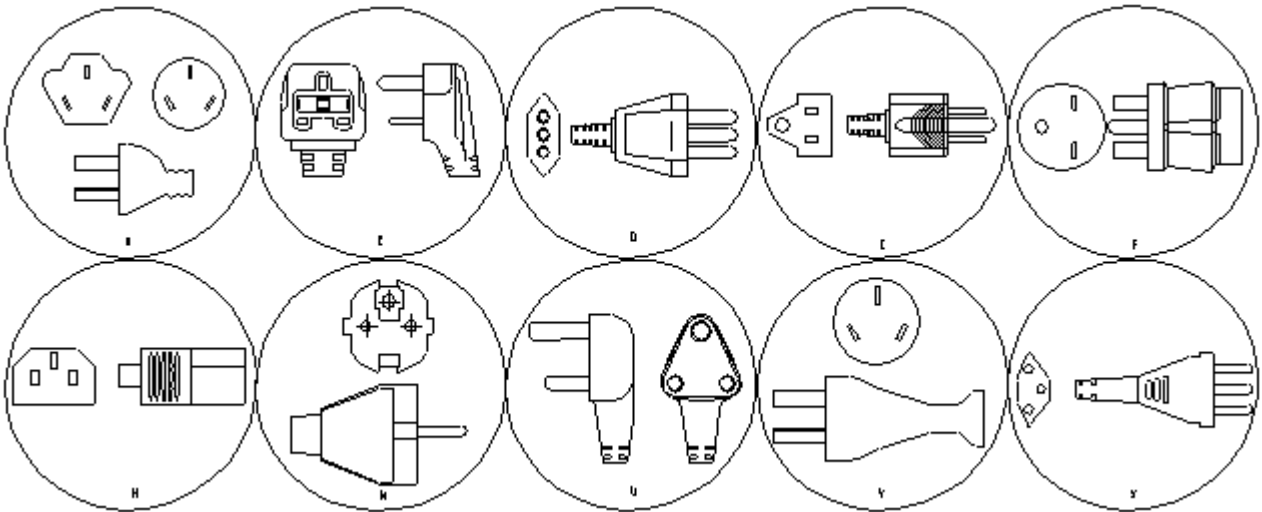
# ProSlot® 6000

## Cabinet Assembly

|| Line Cord Assembly  
 Upright /  Slant /  S6E

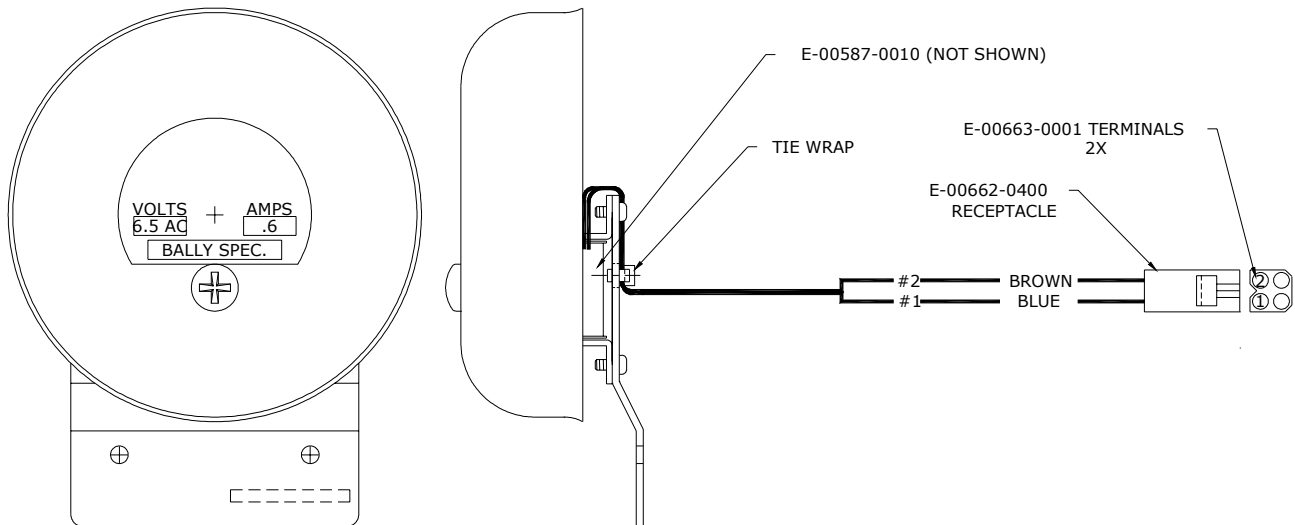
E-00126-(SERIES)

UP	SL	S6E	PART #	DESCRIPTION	VOLTS	PLUG	ARGENTINA	AUSTRALIA	AUSTRIA	BELGIUM	CANADA	DENMARK	FINLAND	FRANCE	GERMANY	HOLLAND	IRELAND	ITALY	JAPAN	NETHERLANDS	NEW ZEALAND	NORWAY	SWEDEN	UNITED KINGDOM	UNITED STATES	SOUTH AFRICA	SWITZERLAND
	X		E-00126-0116	Line Cord, Modular, 3' (Domestic)	120	E & H					X													X			
X	X	X	E-00126-0120	Line Cord, 8'	220	D & H											X										
X	X	X	E-00126-0121	Line Cord, 8' (Domestic)	120	E & H					X													X			
X	X	X	E-00126-0122	Line Cord, 2.5M (Europe)	220	N & H		X	X			X	X	X						X		X	X				
X	X	X	E-00126-0123	Line Cord, 8'2"	240	C & H										X							X				
X	X	X	E-00126-0132	Cordset, 8' NEMA 6-15P & IEC 320	230	F & H					X													X			
X	X	X	E-00126-0143	Cordset, 8.2'	240	B & H	X													X							
X	X	X	E-00126-0157	Cordset, 8.2', Old British (BS 546 & IEC 320/C13)	250	U & H																			X		
X	X	X	E-00126-0167	Line Cord, 8', IRAM 2073	250	V & H	X																				
X	X	X	E-00126-0173	Line Cord, 6'	250	X & H																				X	



Bell and Receptacle  
 Upright /  Slant /  S6E

E-00664-0466



## ProSlot® 6000

### Cabinet Assembly

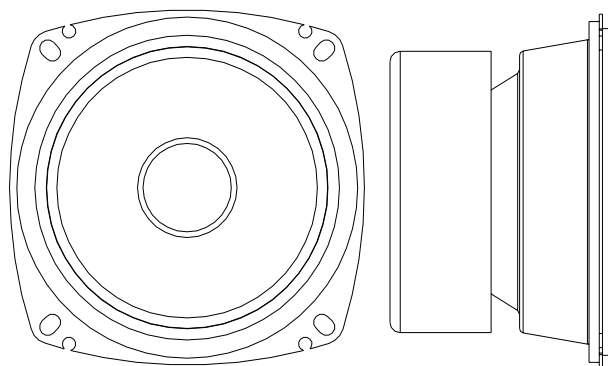
Speaker E-00281-(SERIES)

Upright /  Slant

4-Inch Round Speaker, 4-OHM

E-00281-0027

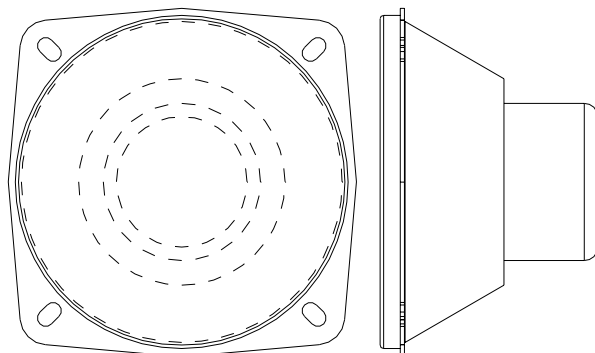
Upright /  Slant



**||** 3-Inch Speaker, Oval Top

E-00281-0031

Upright



Illumination E-00125-(SERIES) / E-0041X-(SERIES)

Upright /  Slant /  S6E

PART #	DESCRIPTION	UP	SL	S6E
E-00411-0008	Fluorescent Starter, FS-2	X		X
E-00411-0009	Fluorescent Starter 110/220V, 4-22W	X	X	X
E-00411-0010	Fluorescent Starter FS-2 CE97	X	X	X
E-00412-0013	Lamp, Fluorescent, F15T8/CW	X		
<b> </b> E-00412-0014	Lamp, Fluorescent, F14T8/ CW		X	
E-00412-0019	Lamp, Fluorescent, 24-Inch		X	X
<b> </b> E-00412-0020	Lamp, Fluorescent, 8-Inch Round	X		
E-00412-0021	lamp, Lamp, Fluorescent, 11.5-Inch, 8W, 11.5-Inch, 8W	X		
<b> </b> E-00412-0025	Lamp, Fluorescent, F4T5/ CW	X		
E-00125-0084	Lamp, #86, 6.3V, T1-3/4, Wedge Base (Insert Coin)	X	X	X
<b> </b> E-00125-0089	Lamp, Incandescent, #159	X	X	X
E-00125-0099	Lamp, #74, 4, 14V, T1-3/4, Wedge Base (Denomination)	X	X	X
<b> </b> E-00125-0113	Lamp, 5MM, #PL37	X		
<b> </b> E-00125-0114	Lamp, 10MM, #CM3504	X		
E-00125-0115	Lamp, Fluorescent, 16-Inch, Round, #703-0008	X		
<b> </b> E-00125-0121	Lamp, JKL 112, 12V, Xenon	X		
<b> </b> E-00125-0123	Lamp, #658, T3-1/4, 14V, Wedge Base	X		

Tower Lens Cover Selection M-02100-(SERIES)

Upright /  Slant /  S6E

COLOR	TOWER LENS COVER, SMALL		
	TOP PART #	BOTTOM PART #	UP SL S6E
White	M-02100-0301	M-02100-0401	X X X
Red	M-02100-0302	M-02100-0402	X X X
Blue	M-02100-0303	M-02100-0403	X X X
Yellow	M-02100-0304	M-02100-0404	X X X
Green	M-02100-0305	M-02100-0405	X X X
Coral	M-02100-0306	M-02100-0406	X X X
Purple	M-02100-0307	M-02100-0407	X X X
Orange	M-02100-0308	M-02100-0408	X X X
Blue	M-02100-0309	M-02100-0409	X X X
Teal	M-02100-0310	M-02100-0410	X X X
Powder Blue	M-02100-0311	M-02100-0411	X X X
Pink	M-02100-0312	M-02100-0412	X X X
Amber	M-02100-0313	M-02100-0413	X X X
Grey	M-02100-0314	M-02100-0414	X X X

COLOR	TOWER LENS COVER, LARGE		
	TOP PART #	BOTTOM PART #	UP SL S6E
White	M-02100-0101	M-02100-0201	X X X
Red	M-02100-0102	M-02100-0202	X X X
Blue	M-02100-0103	M-02100-0203	X X X
Yellow	M-02100-0104	M-02100-0204	X X X
Green	M-02100-0105	M-02100-0205	X X X
Coral	M-02100-0106	M-02100-0206	X X X
Purple	M-02100-0107	M-02100-0207	X X X
Orange	M-02100-0108	M-02100-0208	X X X
Blue	M-02100-0109	M-02100-0209	X X X
Teal	M-02100-0110	M-02100-0210	X X X
Powder Blue	M-02100-0111	M-02100-0211	X X X
Pink	M-02100-0112	M-02100-0212	X X X
Amber	M-02100-0113	M-02100-0213	X X X
Grey	M-02100-0114	M-02100-0214	X X X

# ProSlot® 6000

## Cabinet Assembly

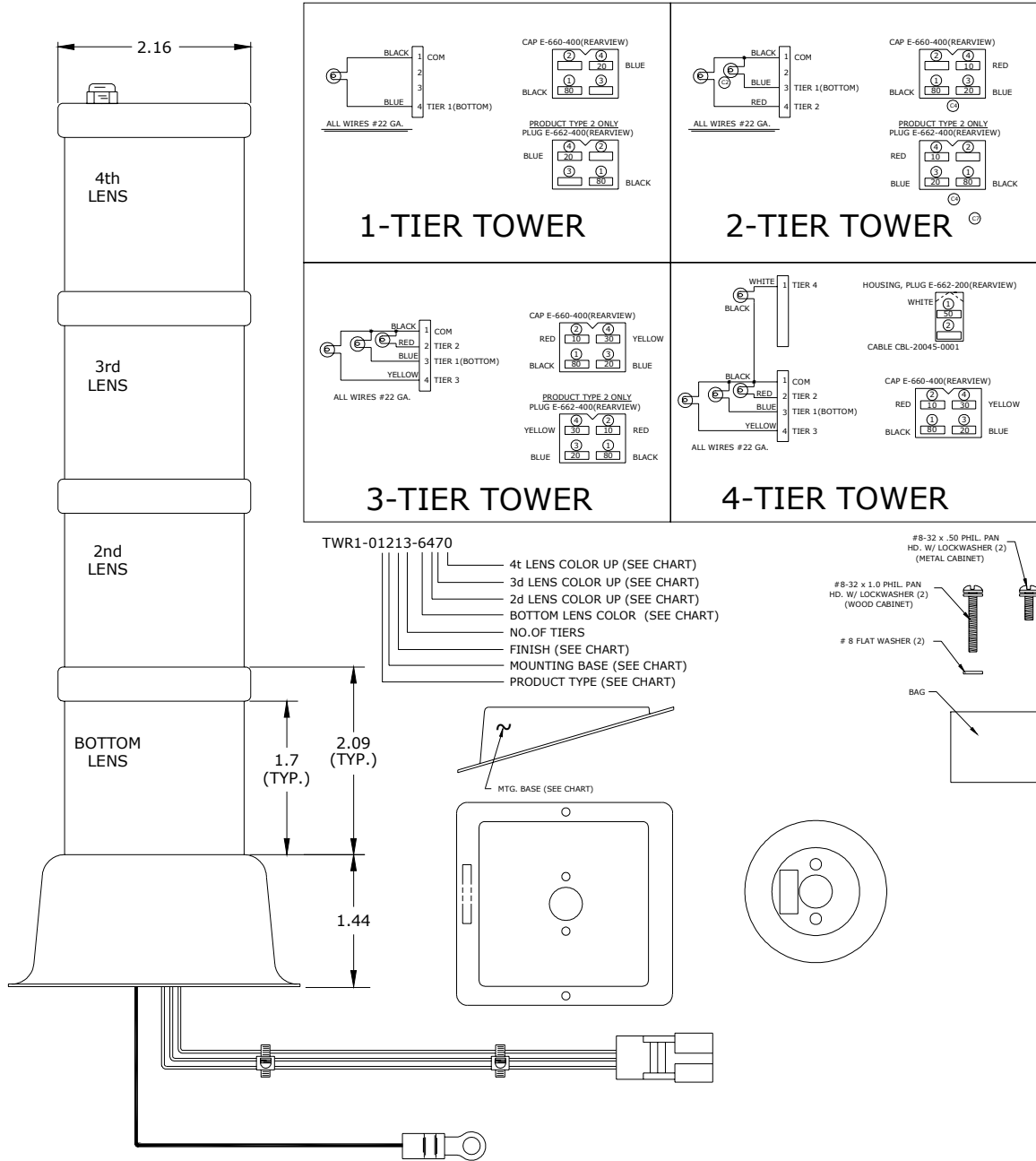
Tower Selections

Upright /  Slant /  S6E

TWRX-(SERIES)

AVAILABILITY:

P/N	DESCRIPTION	UP	SL	S6E
M-03097-0001	Tower Base, Wide, Round	X		X
M-03097-0007	Tower Base, Brass	X		
M-03097-0008	Tower Base, Wide, Round, Brass	X	X	X
M-03097-0009	Tower Base, To Tell The Truth	X		



PRODUCT TYPE	PART #	MTG BASE	FINISH	LENS COLOR	DENOM
(1) TWR2 S5000 (6V) V5500 S5500	Use Molex Cap # 03-09-2049 Use Molex Pin # 02-09-2101 Use Lamp # 55 (6-8V) 0.4 Amp	E-00660-0400 E-00661-0001	0-No Base Flat Top		\$100 1¢/5¢ \$1
(2) TWR2 V5000 (24V) Poker 2 <sup>nd</sup> Chance Black Jack Keno	Use Molex Plug No 03-09-1049 Use Molex Pin # 02-09-1102 Use Lamp No 313 (28V) .17 Amp	E-00662-0400 E-00663-0001	1-With Base Angled Top	1-Chrome 2-Brass	25¢/Token 25¢ 10¢ 50¢ \$10/\$5/\$25 Obsolete-See #6 #383
(3) TWR2 Oasis V72	Use Molex Cap # 03-09-2049 Use Molex Pin # 02-09-2101 Use Lamp # 73 (14V) Or Elec Equiv	E-00660-0400 E-00661-0001 E-00120-0108	*-Round Top See Cabinet Assembly		

| - Revised, || - New  
ProSlot® 6000

## ProSlot® 6000

### Cabinet Assembly

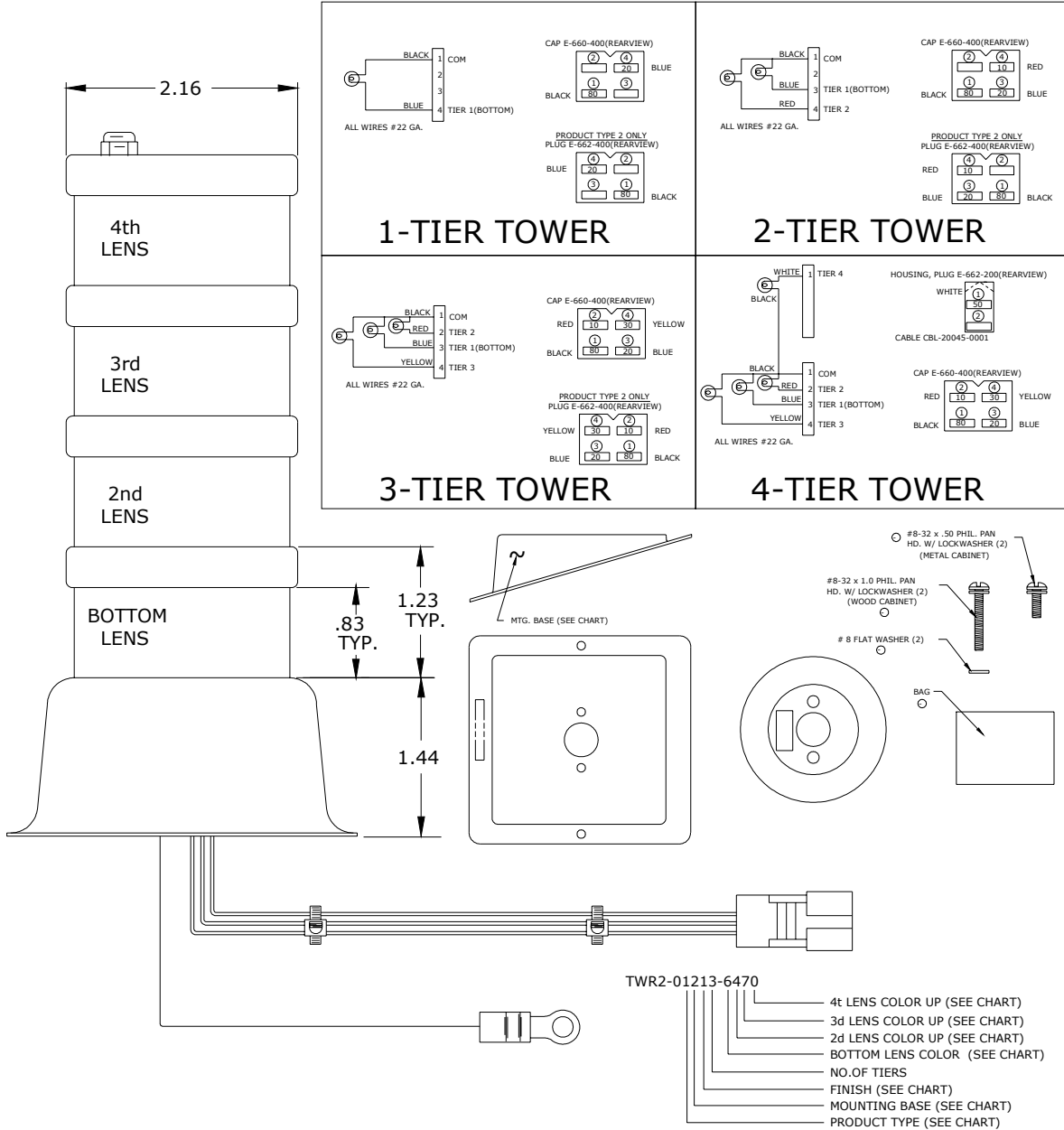
Tower Selections (Cont.)

Upright /  Slant /  S6E

TWRX-(SERIES)

AVAILABILITY:

P/N	DESCRIPTION	UP	SL	S6E
M-03097-0001	Tower Base, Wide, Round	X		X
M-03097-0007	Tower Base, Brass	X		
M-03097-0008	Tower Base, Wide, Round, Brass	X	X	X
M-03097-0009	Tower Base, To Tell The Truth	X		



PRODUCT TYPE	PART #	MTG BASE	FINISH	LENS COLOR	DENOM	
(1) TWR2	S5000 (6V) V5500 S5500 Use Molex Cap # 03-09-2049 Use Molex Pin # 02-09-2101 Use Lamp # 55 (6-8V) 0.4 Amp	E-00660-0400 E-00661-0001	0-No Base Flat Top		0-No Lens 1-White 2-Red 3-Blue 4-Yellow 5-Green 6-Coral 7-Purple 8-Orange 9-SapphireBlue	\$100 1¢/5¢ \$1 25¢/Token 25¢ 10¢ 50¢ \$10/\$5/\$25 Obsolete-See #6 #383
(2) TWR2	V5000 (24V) Poker 2 <sup>ND</sup> Chance Black Jack Keno Use Molex Plug No 03-09-1049 Use Molex Pin # 02-09-1102 Use Lamp No 313 (28V) .17 Amp	E-00662-0400 E-00663-0001	1-With Base Angled Top	1-Chrome 2-Brass		
(3) TWR2	Oasis V72 Use Molex Cap # 03-09-2049 Use Molex Pin # 02-09-2101 Use Lamp # 73 (14V) Or Elec Equip	E-00660-0400 E-00661-0001 E-00120-0108	*-Round Top See Cabinet Assembly			



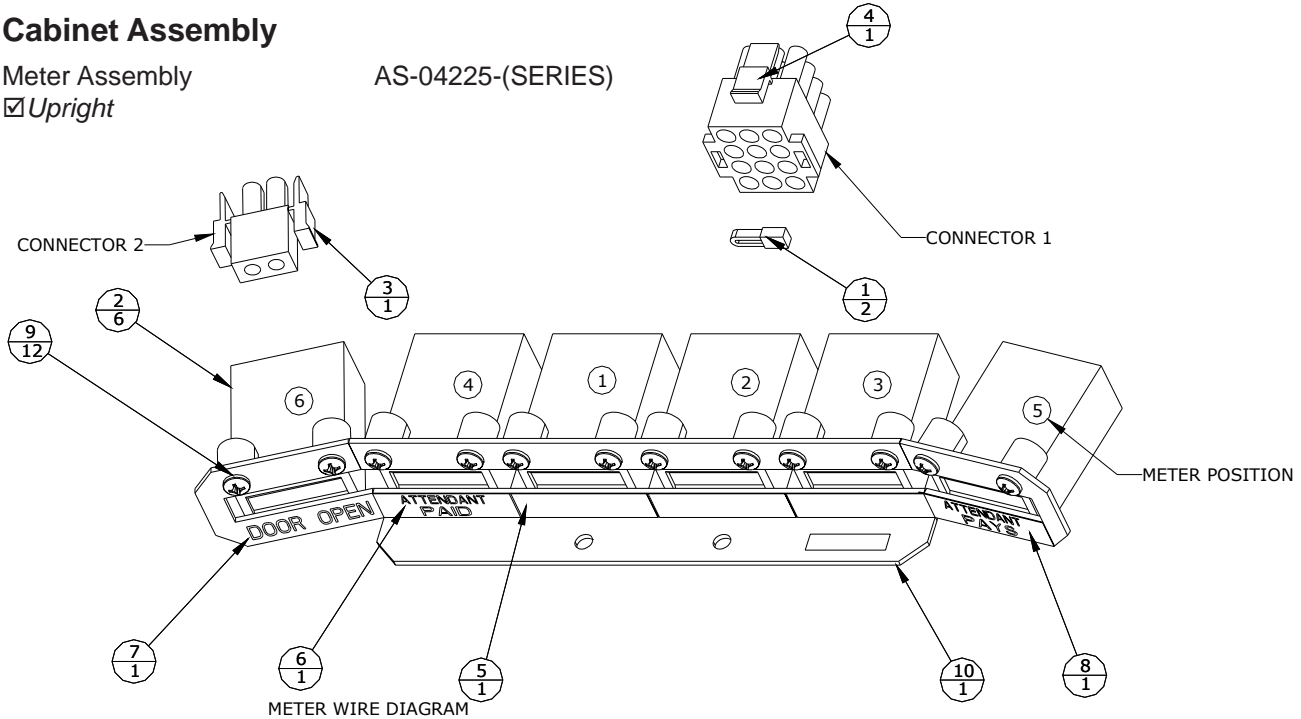
# ProSlot® 6000

## Cabinet Assembly

Meter Assembly

AS-04225-(SERIES)

Upright



METER WIRE DIAGRAM

METER 1 WIRE 1, TO CONNECTOR 1 PIN 1 WIRE 2, TO CONNECTOR 1 PIN 2  
 METER 2 WIRE 1, TO CONNECTOR 1 PIN 4 WIRE 2, TO CONNECTOR 1 PIN 12  
 METER 3 WIRE 1, TO CONNECTOR 1 PIN 7 WIRE 2, TO CONNECTOR 1 PIN 8  
 METER 4 WIRE 1, TO CONNECTOR 1 PIN 10 WIRE 2, TO CONNECTOR 1 PIN 11  
 METER 5 WIRE 1, TO CONNECTOR 1 PIN 9 WIRE 2, TO CONNECTOR 1 PIN 12  
 METER 6 WIRE 1, TO CONNECTOR 2 PIN 1 WIRE 2, TO CONNECTOR 2 PIN 2

REF	PART #	DESCRIPTION	QTY	PART #
1	E-00647-0004	Tie Wrap	2	0020
			1	0064
			2	0068
			1	0089
2	E-00664-0491	Assembly, Meter/Terminal Panel Mount	3	0020
			3	0064
		Assembly, 7-Digit Meter with 8-Inch Lead	6	0068
			5	0089
3	E-00808-0002	Connector Housing Plug	1	0068
4	E-00808-0012	Connector Housing Plug	1	0020
			1	0064
			1	0068
			1	0089

REF	PART #	DESCRIPTION	QTY	PART #
5	LBL-00180-0003	Label, 3-Meter, Ticket In/Ticket Out/Drop	1	0020
6	LBL-00180-0004	Label, 4th Meter Attendant Paid	1	0068
7	LBL-00217-0001	Label, Meter, Door Open	1	0068
8	LBL-00219-0001	Label, Meter, Attendant Pays	1	0068
9	LSP-P-M0350-1104	Screw, Metric Mach with Lock Phil Pan Hd	6	0020
			6	0064
			12	0068
			10	0089
10	P-06665-1180	Bracket, Meter Mounting	1	0020
	P-06004-0019	Bracket, Meter Mounting	1	0064
	P-06004-0035	Bracket, Meter Mounting	1	0068
	P-06004-0192	Bracket, Meter Mounting	1	0089

**AVAILABILITY:**

P/N	DESCRIPTION
AS-04225-0020	3-Meter, Ticket In/Ticket Out/Drop
AS-04225-0064	3-Meter
AS-04225-0068	6-Meter (Puerto Rico)
AS-04225-0089	5-Meter (Switzerland)

## ProSlot® 6000

### Cabinet Assembly

|| Hopper Assembly

AS-06793-(SERIES)

Upright

P/N	DESCRIPTION	DIMENSIONS			
		INCH	MM	INCH	MM
AS-06793-0001	Hopper, No Mixer	0.903	22.936	1.011	25.679
AS-06793-0002	Hopper, No Mixer	1.398	35.509	1.500	38.100
AS-06793-0003	Hopper, No Mixer	1.012	25.705	1.131	28.727
AS-06793-0004	Hopper, No Mixer	0.836	21.234	0.902	22.911
AS-06793-0005	Hopper, No Mixer	1.132	28.753	1.231	31.267
AS-06793-0006	Hopper, No Mixer	1.686	42.824	1.783	45.288
AS-06793-0007	Hopper, No Mixer	1.784	45.314	1.875	47.625
AS-06793-0008	Hopper, No Mixer	0.748	18.999	0.835	21.209
AS-06793-0009	Hopper, No Mixer	1.232	31.293	1.303	33.096
AS-06793-0010	Hopper, No Mixer	1.581	40.157	1.648	41.859
AS-06793-0011	Hopper, No Mixer	1.501	38.125	1.580	40.132
AS-06793-0012	Hopper, No Mixer	1.304	33.122	1.348	34.239
AS-06793-0013	Hopper, No Mixer	1.649	41.885	1.685	42.799
AS-06793-0014	Hopper, No Mixer	1.349	34.265	1.397	35.484
AS-06793-0015	Hopper, No Mixer	0.658	16.713	0.747	18.974

P/N	DESCRIPTION	DIMENSIONS			
		INCH	MM	INCH	MM
AS-06793-1001	Hopper with Mixer	0.903	22.936	1.011	25.679
AS-06793-1002	Hopper with Mixer	1.398	35.509	1.500	38.100
AS-06793-1003	Hopper with Mixer	1.012	25.705	1.131	28.727
AS-06793-1004	Hopper with Mixer	0.836	21.234	0.902	22.911
AS-06793-1005	Hopper with Mixer	1.132	28.753	1.231	31.267
AS-06793-1006	Hopper with Mixer	1.686	42.824	1.783	45.288
AS-06793-1007	Hopper with Mixer	1.784	45.314	1.875	47.625
AS-06793-1008	Hopper with Mixer	0.748	18.999	0.835	21.209
AS-06793-1009	Hopper with Mixer	1.232	31.293	1.303	33.096
AS-06793-1010	Hopper with Mixer	1.581	40.157	1.648	41.859
AS-06793-1011	Hopper with Mixer	1.501	38.125	1.580	40.132
AS-06793-1012	Hopper with Mixer	1.304	33.122	1.348	34.239
AS-06793-1013	Hopper with Mixer	1.649	41.885	1.685	42.799
AS-06793-1014	Hopper with Mixer	1.349	34.265	1.397	35.484
AS-06793-1015	Hopper with Mixer	0.658	16.713	0.747	18.974

Handle Assembly

AS-02303-(SERIES)

Upright

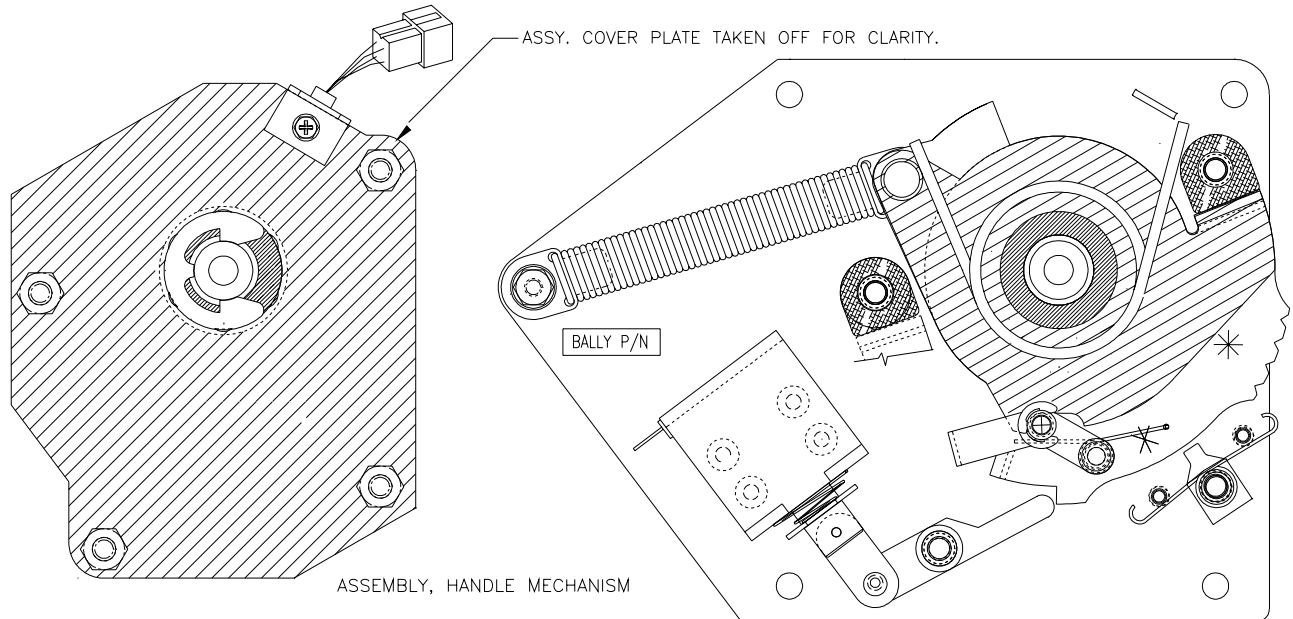
PART #	DESCRIPTION
AS-02303-0091	Handle, Bent Chrome/Black Knob
AS-02303-0093	Handle, Bent Chrome/Chrome Potero Knob
AS-02303-0095	Handle, Bent Gold/Shiny Brass Potero Knob
AS-02303-0096	Handle, Bent Gold/Gold Potero Knob
AS-02303-0097	Handle, Bent Chrome/Black Potero Knob
AS-02303-0098	Handle, Extended Chrome/Black Knob
AS-02303-0099	Handle, Extended, Gold/Gold Potero Knob
AS-02303-0100	Handle, Bent Gold/Black Knob

PART #	DESCRIPTION
AS-02303-0101	Handle, Extended Chrome/Chrome Potero Knob
AS-02303-0102	Handle, Bent Chrome/Brass Potero Knob
AS-02303-0103	Handle, Bent Chrome/Yellow Round Knob
AS-02303-0104	Handle, Bent Chrome/Orange Round Knob
AS-02303-0105	Handle, Bent Chrome/Green Round Knob
AS-02303-0106	Handle, Bent Chrome/Pink & Red Round Knob
AS-02303-0107	Handle, Bent Chrome/Neutral Round Knob
M-03095-0001	Hub, Handle, Plastic, Chrome

Handle Mechanism Assembly

AS-02301-0028

Upright

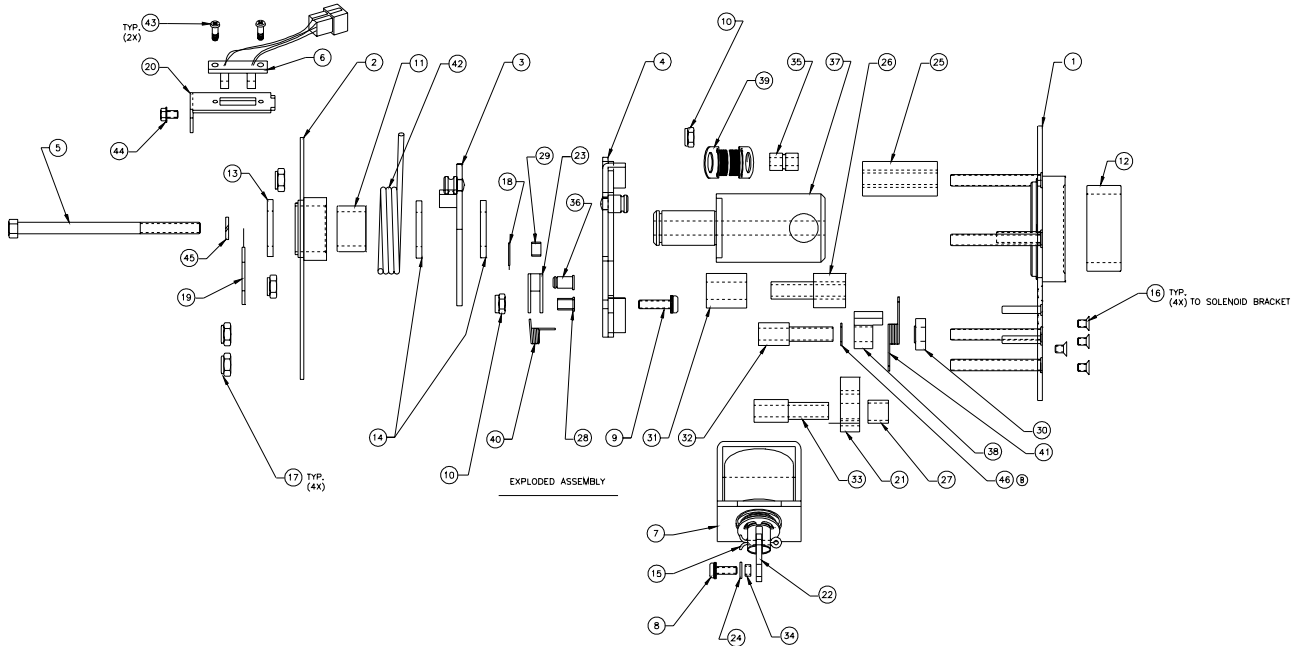


# ProSlot® 6000

## Cabinet Assembly

Handle Mechanism Assembly (Cont.) AS-02301-0028

☑ Upright



REF	PART #	DESCRIPTION	QTY
1	A-02214-056A	Assembly, Base Plate, Handle Mechanism	1
2	A-03207-031A	Assembly, Cover Plate	1
3	A-04181-064A	Assembly, Drop Cam	1
4	A-04390-001A	Assembly, Ratchet Cam	1
5	CSOH-31224-1160	Screw, Cap Hex Head	1
6	E-00664-0453	Assembly, Optic, Handle Mechanism	1
7	E-00947-0010	Solenoid, Handle Lock Out	1
8	LSPP-00832-1108	Screw, 8-32 X 1/2 Mach with Lock Phil Pan	1
9	LSPP-01032-1112	Screw, 10-32 X 3/4 Mach with Lock Phil Pan Hd	1
10	M-00319-0001	Stop Nut, Elastic 10-32 Tap	2
11	M-00404-0007	Bearing, Torrington #J-1210	1
12	M-00404-0008	Bearing, Torrington #J-2412	1
13	M-00404-0009	Bearing, Thrust #Tb1220	1
14	M-00404-0010	Bearing, Thrust #Tb1222	2
15	M-01721-0007	Cotter Pin, 3/32d X 3/4 Large	1
16	MSPF-00832-1104	Screw, 8-32 X 1/4 Mach Screw Phil Flat Hd	4
17	M-00319-0014	Nut, Stop Elastic	4
18	P-02891-0006	Retaining Ring, .281 Shaft X .025t	1
19	P-02891-0012	Retaining Ring, .750 Shaft X .050t	1
20	P-06665-1186	Bracket, Opto Sensor, Handle Mechanism	1
21	P-07461-008A	Lockout Lever, Handle Mechanism	1
22	P-09319-097A	Link, Solenoid	1
23	P-09351-001A	Lever, Drop Release	1

REF	PART #	DESCRIPTION	QTY
24	PW-00008-0012	Washer, Plain	1
25	R-00521-001A	Bumper, Double, Handle Mechanism	1
26	R-00521-002A	Bumper, Single, Handle Mechanism	1
27	S-00231-988A	Bushing, Lockout Lever	1
28	S-00231-989A	Bushing, Pivot, Trip Lever	1
29	S-00231-990A	Bushing, Latch, Trip Lever	1
30	S-00231-1029	Bushing, Pawl, Handle Mechanism	1
31	S-00231-993A	Sleeve, Wear, Handle Mechanism	1
32	S-00231-1030	Spacer, Pawl, Handle Mechanism	1
33	S-00231-995A	Spacer, Lockout Lever	1
34	S-00231-996A	Bushing, Link, Handle Mechanism	1
35	S-00458-039A	Post, Dual Spring, Handle Mechanism	1
36	S-00458-041A	Pin, Latch, Trip Lever	1
37	S-00736-0025	Shaft, Handle	1
38	S-02100-0004	Pawl, Full Stroke	1
39	SP-00100-0403	Spring Tension, Handle Mechanism	1
40	SP-00399-0055	Spring, Torsion, Handle Mechanism	1
41	SP-00399-0061	Spring, Torsion, Pawl, Handle	1
42	SP-00399-0059	Spring, Torsion, Drop Cam	1
43	TFPP-00440-1104	Screw, 4-40 X 1/4 Thd Form Phil Pan Hd	2
44	TFSS-00832-1104	Screw, 8-32 X 1/4 Thd Form Washer Hd	1
45	M-01705-0014	Lock washer, Split	1
46	S-00231-1037	Shim, Brass Wear, Ratchet Pawl	1

## ProSlot® 6000

### Cabinet Assembly

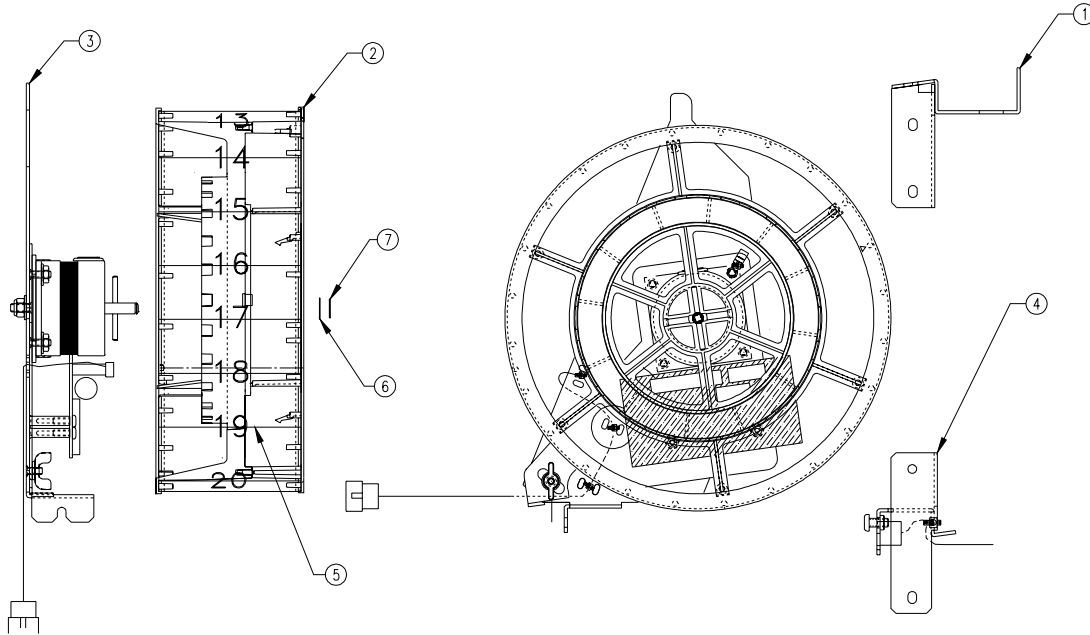
Reel Mechanism

AS-04716-(SERIES)

Upright

AVAILABILITY:

P/N	DESCRIPTON
AS-04716-0004	Reel Mechanism, 3-Wide
AS-04716-0005	Reel Mechanism, 4-Narrow



REF	PART #	DESCRIPTION	QTY	PART #
1	A-04703-0006	Bracket, 3-Wide Reel Support, Upper	1	0004
2	AS-04234-0004	Assembly, Reel, 9-Inch	3	0004 0005
3	AS-04235-0009	Assembly, Reel Drive, 9-Inch	3	0004 0005
4	AS-04703-0003	Assembly, 3-Wide Reel Support, Lower	1	0004
	AS-04703-0007	Assembly, 4 Reel Support, Lower	1	0005

REF	PART #	DESCRIPTION	QTY	PART #
5	M-01777-5617	Adhesive, Double-Sided Tape, 1/4W	A/R	0004 0005
6	P-00801-0676	Washer, .255ID X .500D X .007 Thk	3	0004 0005
7	P-02891-0006	Retaining Ring, .281 Shaft X .025 Thk	3	0004 0005
8	P-06004-0006	Bracket, Support, 3 Reels, Upper (Not Shown)	1	0004
	P-06004-0003	Bracket, Support, 4 Reels, Upper (Not Shown)	1	0005

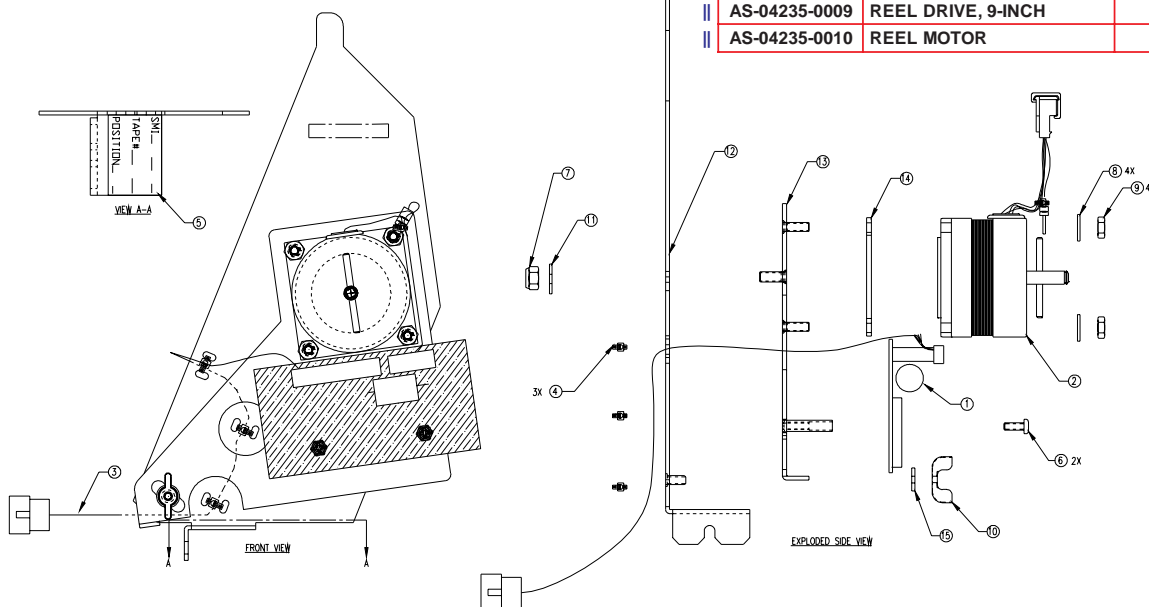
Reel Drive/Motor

AS-04235-(SERIES)

Upright /  Slant /  S6E

AVAILABILITY:

P/N	DESCRIPTON	UPRIGHT	SL/S6E
AS-04235-0009	REEL DRIVE, 9-INCH	X	X
AS-04235-0010	REEL MOTOR	X	



# ProSlot® 6000

## Cabinet Assembly

Reel Drive/Motor (Cont.) AS-04235-(SERIES)

☑ Upright / ☑ Slant / ☑ S6E

AVAILABILITY:

P/N	DESCRIPTON	UPRIGHT	SL/S6E
AS-04235-0009	REEL DRIVE, 9-INCH	X	X
AS-04235-0010	REEL MOTOR	X	

REF	PART #	DESCRIPTION	QTY	PART #
1	AS-03356-0205	Assembly, Reel Drive Board	1	-0009
				-0010
2	AS-04236-0003	Assembly, Motor/Coupler, 9-Inch Reel	1	-0009
				-0010
3	CBL-20189-0001	Cable, Reel Sensor Board	1	-0009
				-0010
4	E-00647-0004	Cable Tie	3	-0009
5	LBL-00210-0001	Label, Reel	1	-0009
6	LSPP-00632-1106	Screw, 6-32 X 3/8 Mach with Lock Phil Pan Hd	2	-0009
				-0010
7	M-00319-0001	Stop Nut, Elastic 10-32 Tap	1	-0009
				-0010

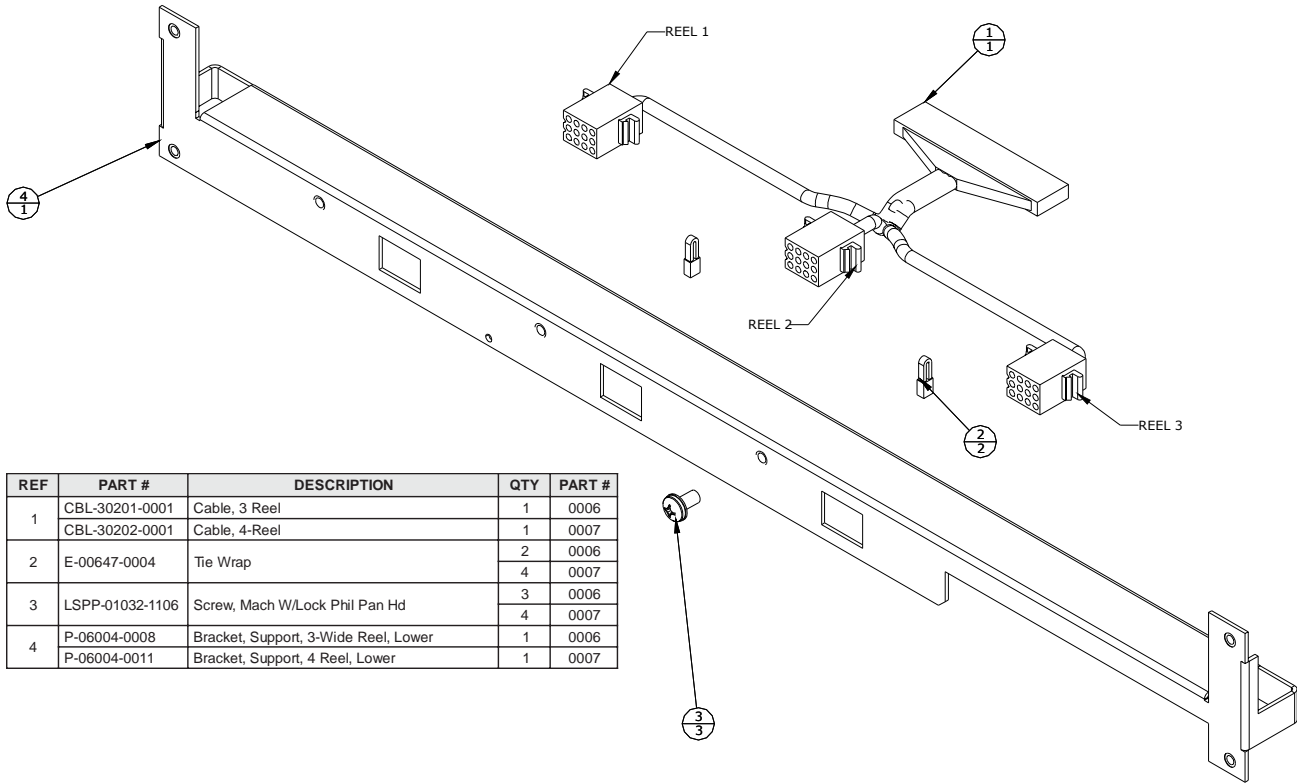
REF	PART #	DESCRIPTION	QTY	PART #
8	M-01701-0008	Lock Washer, Int Tooth	4	-0009
				-0010
9	M-01757-0003	Nut, 8-32 X 1/4 Flat Hex	4	-0009
				-0010
10	M-01757-0011	Nut, Wing #8-32	1	-0009
				-0010
11	P-00801-0672	Washer, .200ID X .450OD X .048Thk	1	-0009
				-0010
12	P-09316-0347	Bracket, Reel Mounting	1	-0009
				-0010
13	P-09319-0392	Bracket, Reel Adjusting	1	-0009
				-0010
14	P-09319-084A	Spacer, Motor	1	-0009
				-0010
15	PW-00010-0012		1	-0009

Reel Support, Cable and Bracket AS-04703-(SERIES)

☑ Upright

AVAILABILITY:

P/N	DESCRIPTON
AS-04703-0006	Reel Support, Cable and Bracket, 3-Reel
AS-04703-0007	Reel Support, Cable and Bracket, 4-Reel



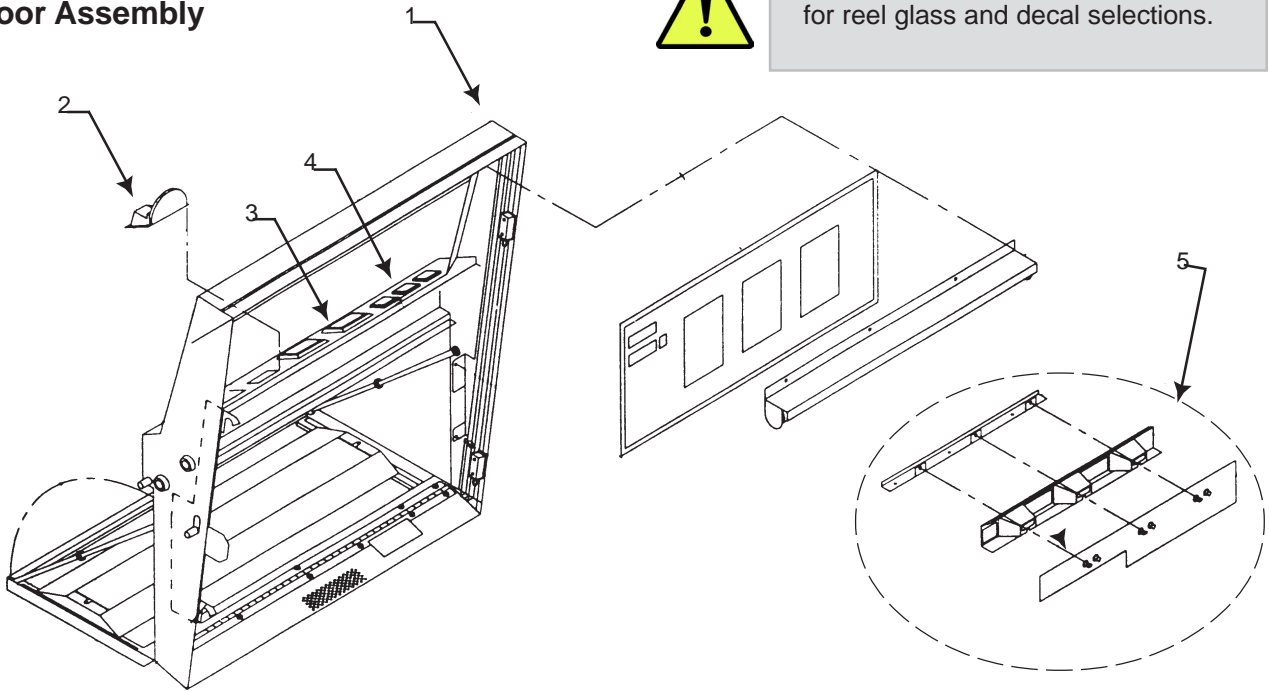
REF	PART #	DESCRIPTION	QTY	PART #
1	CBL-30201-0001	Cable, 3 Reel	1	0006
				CBL-30202-0001
2	E-00647-0004	Tie Wrap	2	0006
				4
3	LSPP-01032-1106	Screw, Mach W/Lock Phil Pan Hd	3	0006
				4
4	P-06004-0008	Bracket, Support, 3-Wide Reel, Lower	1	0006
				P-06004-0011

## ProSlot® 6000

### Door Assembly



See Module 3A, Glass and Decals, for reel glass and decal selections.



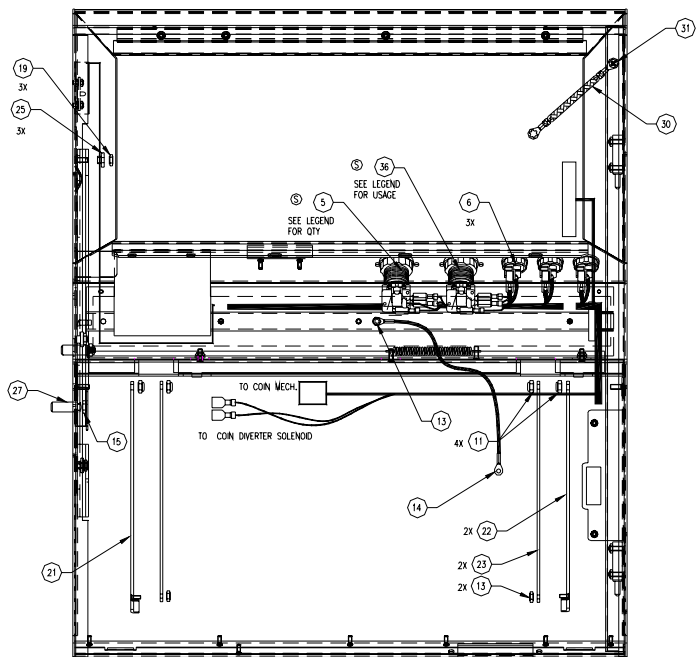
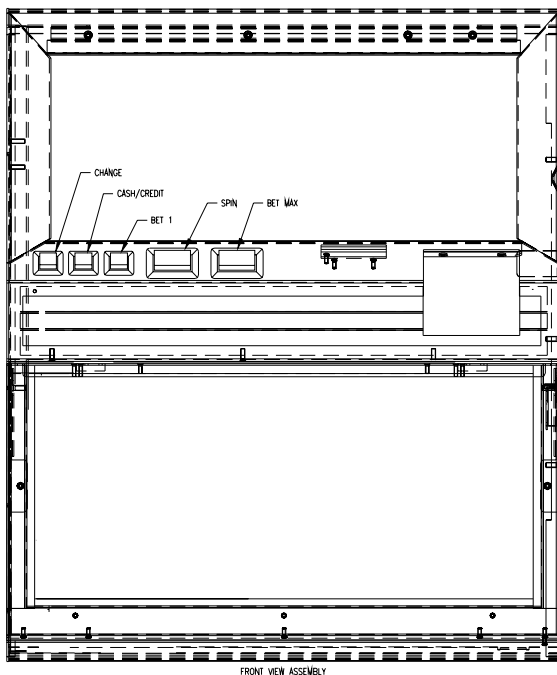
ITEM	PART #	DESCRIPTION	PAGE
1	AS-06607-(SERIES)	Door	35
2	BH-04XXX-(SERIES)	Switch, Happ, Black, No Legend	39
3	K-01500-(SERIES)	Kit, Legend Plate	40
4	C-04711-00XA	Base, Coin Head	--
5	AS-03360-0029	Win Meter Lower Display	44

PARTS NOT SHOWN			
ITEM	PART #	DESCRIPTION	PAGE
6	M-01777-5410	Door (Restraint) Stop Cable	39
7	K-00694-(SERIES)	Kit, Bill Acceptor Cover Plate	43

### Door

### AS-06607-(SERIES)

Upright



# ProSlot® 6000

## Door Assembly

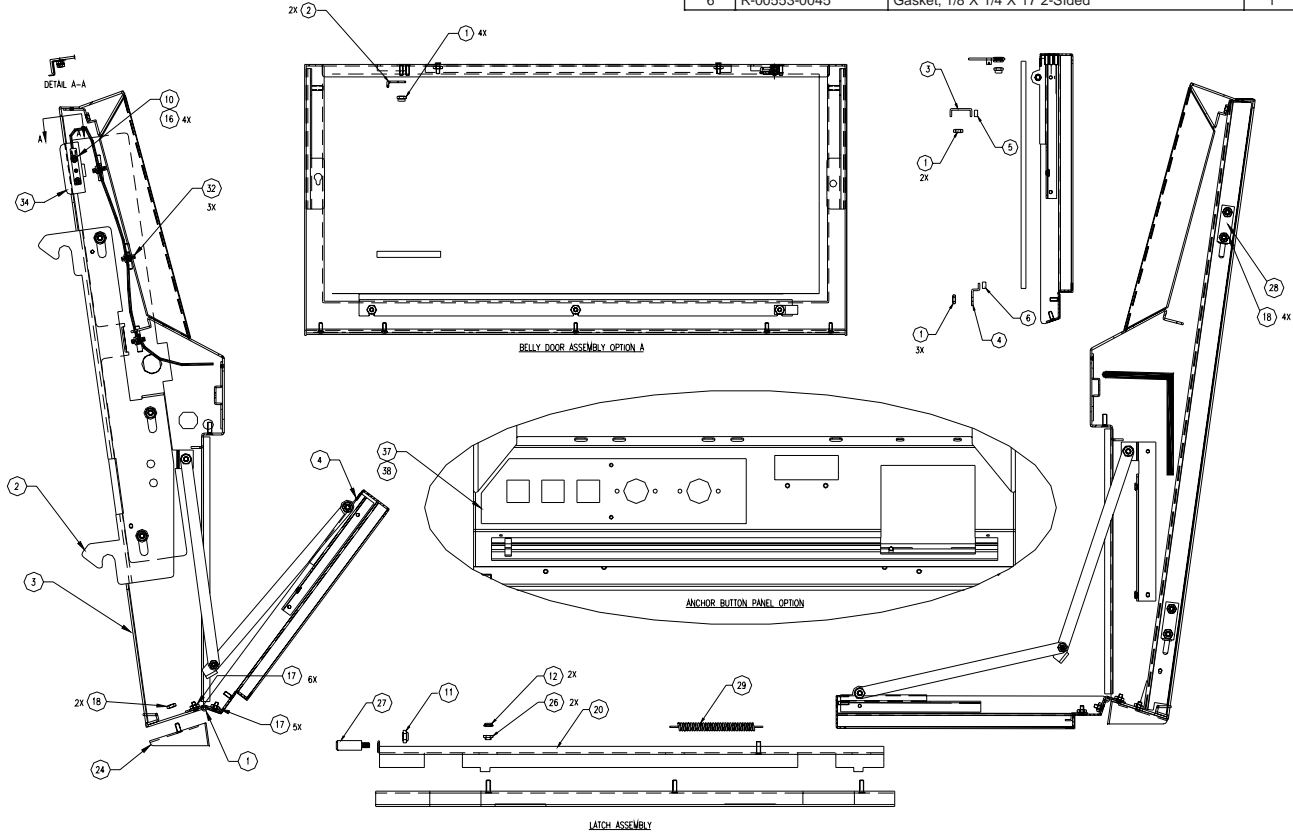
Door (cont.)

Upright

AS-06607-(SERIES)

### Option "A"

REF	PART #	DESCRIPTION	QTY
1	NLS-00632-1112	Nut, 6-32 Keps	9
2	P-06009-0003	Latch, Hook, Belly Door	2
3	P-09319-0377	Bracket, Glass Retainer, Belly Door	1
4	P-09319-0378	Bracket, Glass Retainer, Belly Door	1
5	R-00553-0044	Gasket, 1/8 X 1/4 X 12 2-Sided	1
6	R-00553-0045	Gasket, 1/8 X 1/4 X 17 2-Sided	1



REF	PART #	DESCRIPTION	QTY
1	A-04270-0032	Hinge, Belly Door	1
2	P-18526-0007	Assembly, Door Latch	1
3	SEE LEGEND	Assembly, Door	1
4	P-06009-0003	Assembly, Belly Door (Option A)	1
5	BH-04571-0001	Switch, Rectangle, Black, No Legend (Bonus Games: LH-04573-0001)	A/R
6	BH-04738-0001	Switch (Happ), Square, Black, No Legend (Bonus Games: LH-04738-0001)	3
7			
8			
9	CBL-30470-0001	Cable, Door Button	1
10	AS-03356-0427	Assembly, Door Optic, Door Emitter	1
11	M-00319-0001	Lock Nut, 10-32	5
12	M-00319-0002	Lock Nut, 8-32	2
13	M-00319-0006	Lock Nut, 6-32	3
14	M-01777-5410	Cable, Door Stop, 14.75-Inch	1
15	NLS-01032-1112	Nut, 10-32 Keps	1
16	NLS-00440-1112	Nut, 4-40 Keps	4
17	NLS-00632-1112	Nut, 6-32 Keps	11
18	NLS-00832-1112	Nut, 8-32 Keps	6

REF	PART #	DESCRIPTION	QTY
19	M-00319-0015	Stop Nut, Elastic, 10-32 Thin Profile	3
20	P-06004-0016	Bracket, Slide Latch	1
21	P-06004-0022	Bracket, Door Prop-A Left	1
22	P-06004-0023	Bracket, Door Prop-A Right	1
23	P-09319-0352	Bracket, Door Prop-B	2
24	SEE LEGEND	Coin Chute	1
25	S-00231-1022	Bushing, Shoulder, Door Latch	3
26	S-00231-1033	Bushing, Shoulder, Door Slide	2
27	S-00458-0044	Pin, Latch Slide	2
28	S-00700-0001	Hinge, Bracket, Door Side	2
29	SP-00100-0412	Spring Slide	1
30	AS-03106-0010	Assembly, Ground Strap, 4-Inch	1
31	TFPP-00832-1106	Screw, 8-32 X 3/8 Thd Form Phil Pan Hd	1
32	E-00647-0004	Tie Wrap	3
33			
34	P-06004-0136	Bracket, Shield, Door Optic	1
35			
36	LS-04753-0016	Switch (Happ), Round With Legend	A/R
37	P-06510-0118	Panel, Button, Anchor	A/R
38	P-06510-0119	Plate, Retainer, Button, Anchor	A/R

PART #	DESCRIPTION	ITEM 4	ITEM 24	ITEM 5 (QTY)	ITEM 36
AS-06607-0101	Brushed Chrome, 1 Lock	A-16510-01P1	P-09382-0001	2	—
AS-06607-0104	Gold, 1 Lock	A-16510-01P4	P-09382-0004	2	—
AS-06607-0201	Brushed Chrome, 2 Locks	A-16510-02P1	P-09382-0001	2	—
AS-06607-0204	Gold, 2 Locks	A-16510-02P4	P-09382-0004	2	—
AS-06607-0301	Brushed Chrome, 3 Locks	A-16510-03P1	P-09382-0001	2	—
AS-06607-0401	Brushed Chrome, 1 Lock, Anchor	A-16510-04P1	P-09382-0001	2	—
AS-06607-0404	Gold, 1 Lock, Anchor	A-16510-04P4	P-09382-0004	2	—

PART #	DESCRIPTION	ITEM 4	ITEM 24	ITEM 5 (QTY)	ITEM 36
AS-06607-0501	Brushed Chrome, 2 Locks, Anchor	A-16510-05P1	P-09382-0001	2	—
AS-06607-0601	Brushed Chrome, 3 Locks, Anchor	A-16510-06P1	P-09382-0001	2	—
AS-06607-1101	Chrome, 1 Lock	A-16510-01P1	P-09382-0001	1	1
AS-06607-1104	Gold, 1 Lock	A-16510-01P4	P-09382-0004	1	1
AS-06607-1201	Chrome, 2 Locks	A-16510-02P1	P-09382-0001	1	1
AS-06607-1204	Gold, 2 Locks	A-16510-02P4	P-09382-0004	1	1
AS-06607-1301	Chrome, 3 Locks	A-16510-03P1	P-09382-0001	1	1

## ProSlot® 6000

### Door Assembly

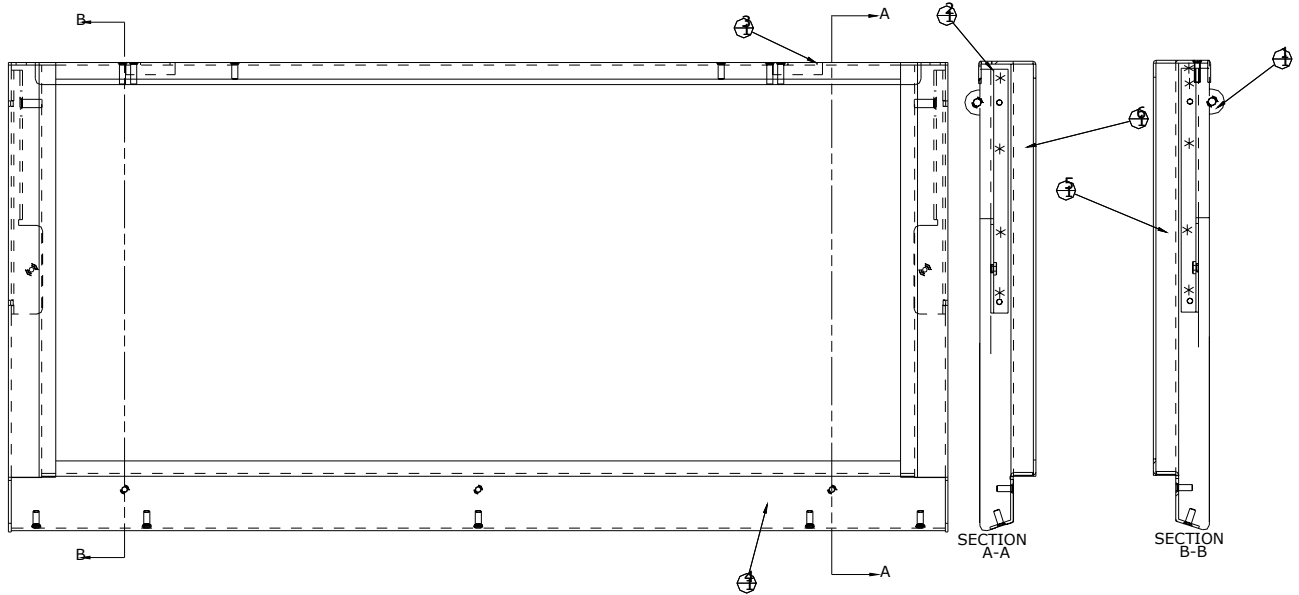
Belly Door Assembly

A-36510-(SERIES)

Upright

AVAILABILITY:

PART #	DESCRIPTON
A-36510-0100	Belly Door Assembly
A-36510-0200	Belly Door Assembly



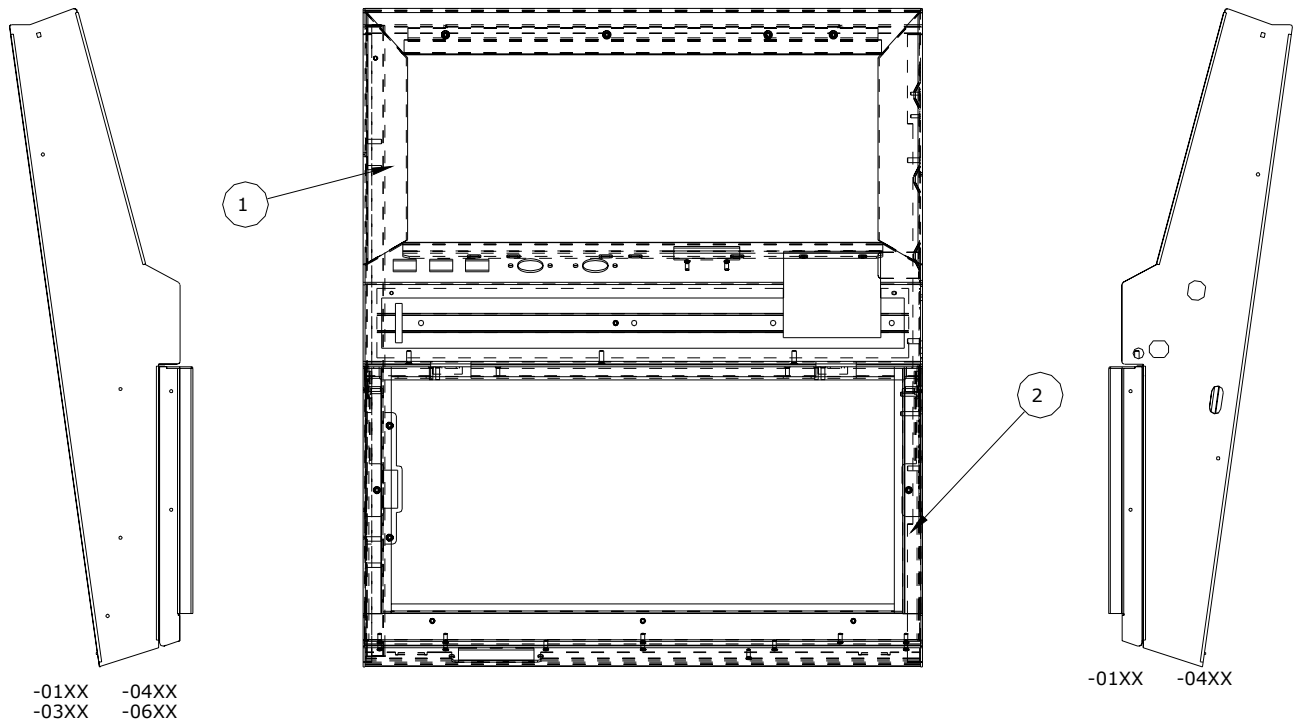
REF	PART #	DESCRIPTION	QTY	P/N
1	P-06510-0111	Bracket, Belly Door Mounting, Left	1	0100 0200
2	P-06510-0112	Bracket, Belly Door Mounting, Right	1	0100 0200
3	P-06510-0113	Belly Door, Top	1	0100
	P-06510-0128	Door, Belly	1	0200

REF	PART #	DESCRIPTION	QTY	P/N
4	P-06510-0114	Belly Door, Bottom	1	0100
5	P-06510-0115	Belly Door, Right Side	1	0100
6	P-06510-0116	Belly Door, Left Side	1	0100

### Door Lock Assembly

A-16510-(SERIES)

Upright





# ProSlot® 6000

REF	P/N	DESCRIPTION	QTY
1	A-26510-0100	ASSY, DOOR	1
2	A-36510-0100	ASSY, BELLY DOOR	1

## Door Assembly

Door Lock Assembly (Cont.) A-16510-(SERIES)

Upright

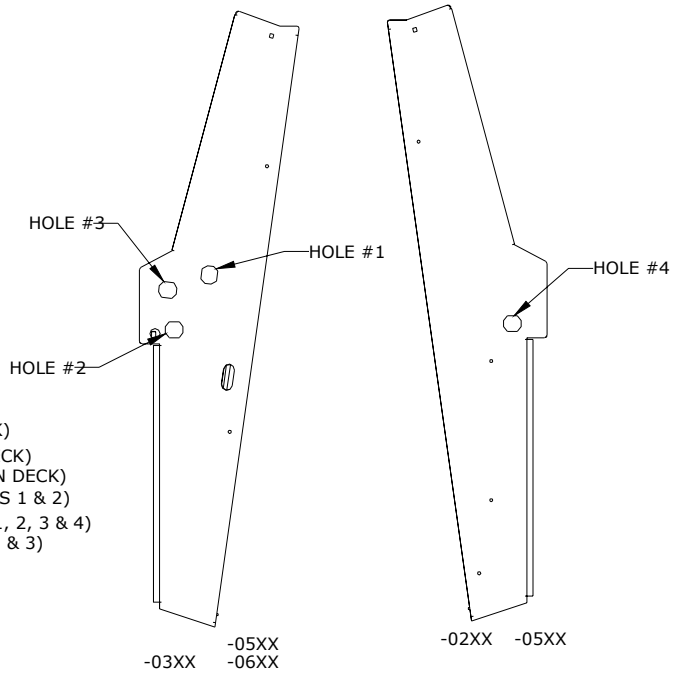
### PART NUMBER BREAKDOWN

A-16510\* \* \*\*

- FINISH OPTION
  - 00 THRU 99
  - OPTION 1: POWDER COATED ASSY. (PER DWG. PC-SPEC-0001, TABLE "A").
  - P1 THRU P5
  - OPTION 2: POLISHED & PLATED ASSY. (PER DWG. MET-SPEC-0002).
  - P6
  - OPTION 3: POLISHED STAINLESS STEEL ASSY
  - B1 THRU B5
  - OPTION 4: BRUSHED & PLATED ASSY. (PER DWG. PC-SPEC-0001, TABLE "A").
  - B6
  - OPTION 5: BRUSHED STAINLESS STEEL ASSY
- 1 = SINGLE LOCK (LOCK HOLES 1 & 2) (5 BUTTON DECK)
- 2 = DUAL LOCKS (LOCK HOLES 1,2,3,&4) (5 BUTTON DECK)
- 3 = 3 LOCKS, 1 SIDE (LOCK HOLES 1, 2, & 3). (5 BUTTON DECK)
- 4 = ANCHOR BUTTON DECK, SINGLE LOCK ( LOCK HOLES 1 & 2)
- 5 = ANCHOR BUTTON DECK, DUAL LOCK (LOCK HOLES 1, 2, 3 & 4)
- 6 = ANCHOR BUTTON DECK, 3 LOCKS LOCK HOLES 1, 2, & 3)

FINISH, SIDES - 0 = BRUSHED  
1 = POLISHED

DOOR SERIES



PART #	DESCRIPTION	BELLY	MAIN
A-16510-01P1	Chrome	1 Lock	1 Lock
A-16510-01P4	Gold	1 Lock	1 Lock
A-16510-02P1	Chrome	2 Locks	2 Locks
A-16510-02P4	Gold	2 Locks	2 Locks
A-16510-03P1	Chrome	1 Lock	2 Locks

PART #	DESCRIPTION	BELLY	MAIN
A-16510-04P1	Anchor, Chrome	1 Lock	1 Lock
A-16510-04P4	Anchor, Gold	1 Lock	1 Lock
A-16510-05P1	Anchor, Chrome	2 Locks	2 Locks
A-16510-06P1	Anchor, Chrome	1 Lock	2 Locks

Door Deck

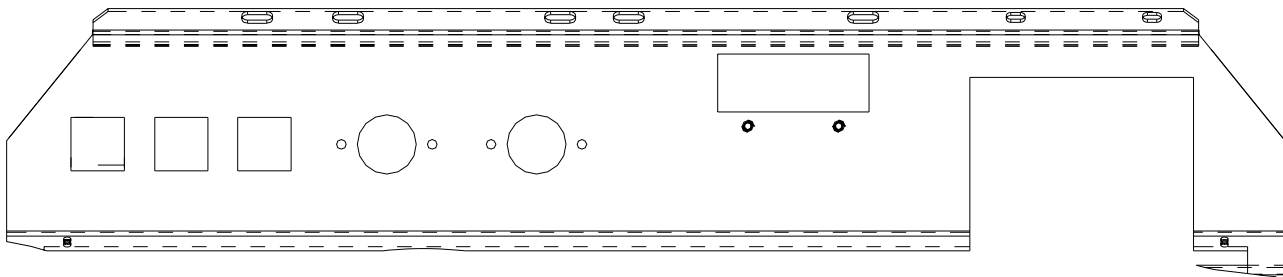
P-06510-(SERIES)

Door Deck

Upright

P-06510-0103

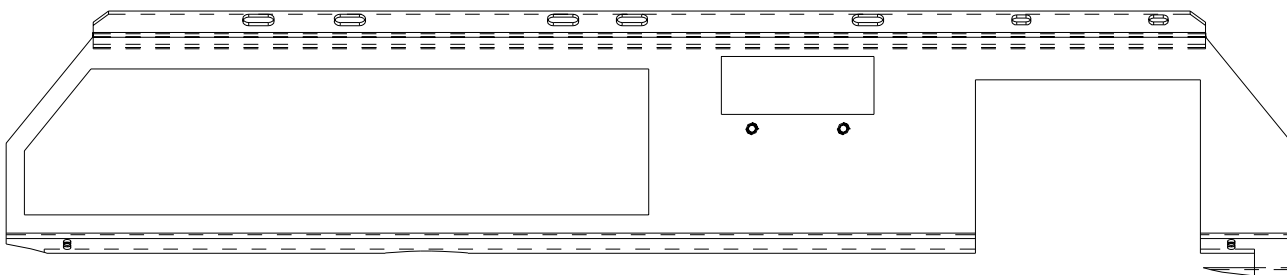
Upright



Door Deck, Anchor

P-06510-0117

Upright



## ProSlot® 6000

### Door Assembly

Door Deck (Cont.)

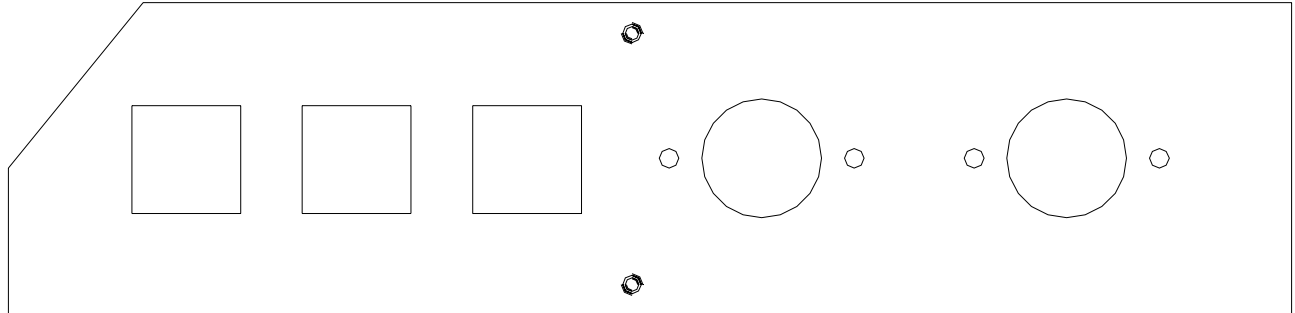
Upright

P-06510-(SERIES)

Button Panel, Anchor

P-06510-0118

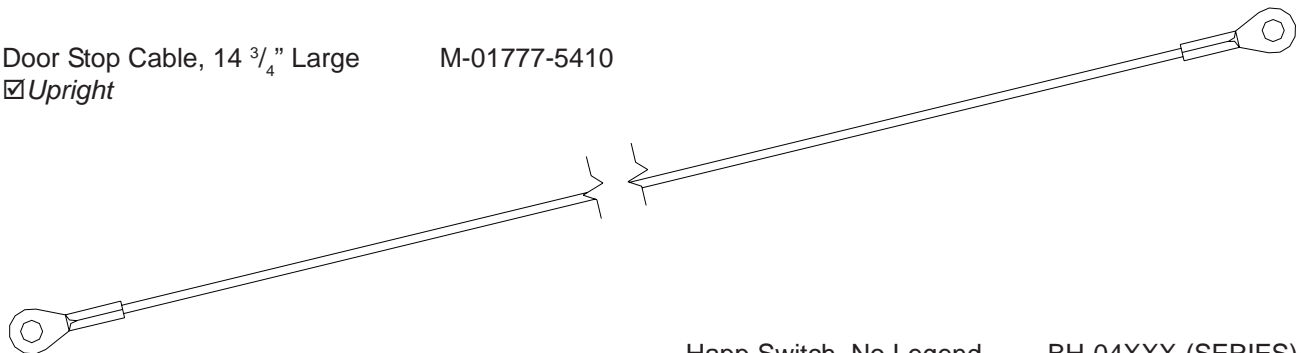
Upright



Door Stop Cable, 14 <sup>3</sup>/<sub>4</sub>" Large

Upright

M-01777-5410



Happ Switch, Large, Round

Upright

AS-04753-0016

Happ Switch, No Legend

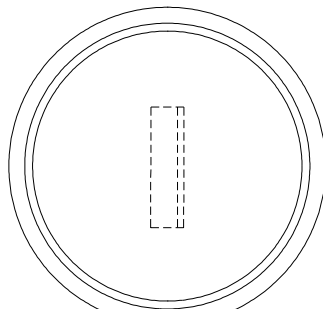
Upright

BH-04XXX-(SERIES)

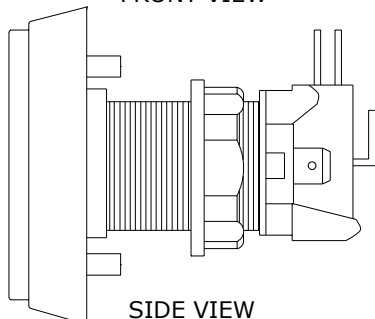
Happ Switch, Rectangle, No Legend

BH-04571-0001

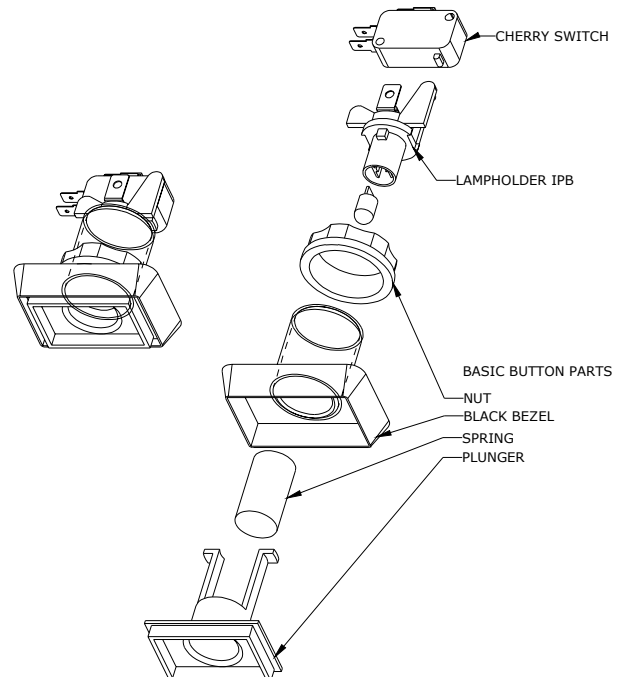
Upright



FRONT VIEW



SIDE VIEW



# ProSlot® 6000

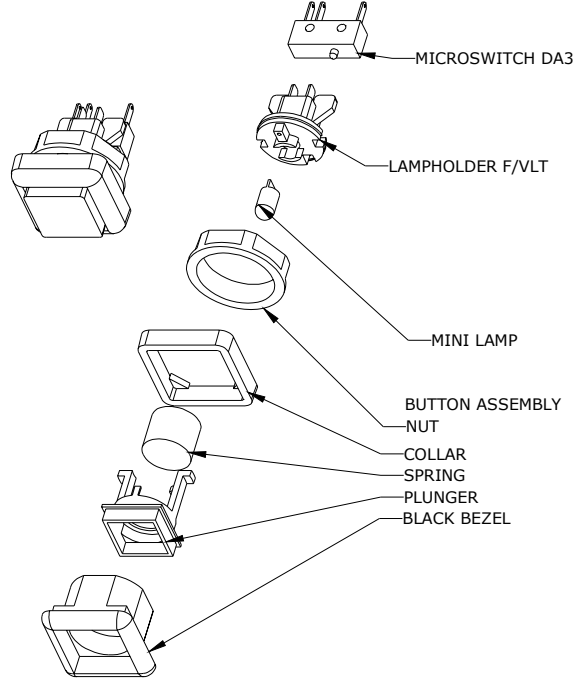
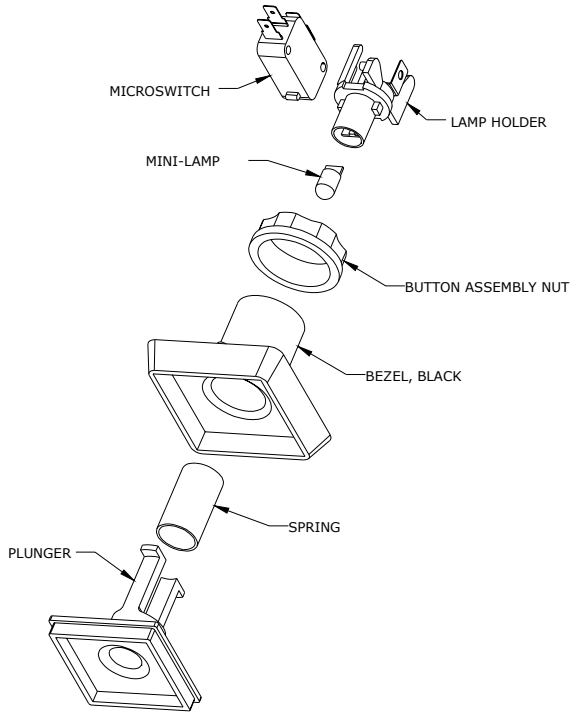
## Door Assembly

Happ Switch, No Legend (Cont.) BH-04XXX-(SERIES)

☑ Upright

|| Happ Switch, 2-Inch Square, No Legend  
BH-04573-0001 ☑ Upright / ☑ S6E

Happ Switch, Square, No Legend BH-04738-0001  
☑ Upright



|| Legend Plate Kit

☑ Upright / ☑ Slant

K-01500-(SERIES)

PART #	DESCRIPTION	SPIN	BET MAX	BET ONE	CHANGE	CASH/CREDIT	UP	SL	S6E
K-01500-0001	English	BL-04571-0007	BL-04571-0008	BL-04738-0005	BL-04738-0007	BL-04738-0015	X		
K-01500-0081	English	BL-04573-0001	BL-04573-0013	BL-04738-0005	BL-04738-0007	BL-04738-0015	X		
K-01500-0082	French	BL-04573-0003	BL-04573-0004	BL-04738-0018	BL-04738-0019	BL-04738-0021	X		
K-01500-0083	French/English (Quebec)	BL-04573-0008	BL-04573-0007	BL-04738-0029	BL-04738-0030	BL-04738-0031	X		
K-01500-0084	Spanish	BL-04573-0009	BL-04573-0010	BL-04738-0060	BL-04738-0062	BL-04738-0063	X		
K-01500-0085	Portuguese	BL-04573-0014	BL-04573-0015	BL-04738-0067	BL-04738-0065	BL-04738-0066	X		
K-01500-0086	English/French (Ontario)	BL-04573-0016	BL-04573-0017	BL-04738-0103	BL-04738-0104	BL-04738-0106	X		
K-01500-0087	English (New Jersey)	BL-04573-0001	BL-04573-0013	BL-04738-0005	BL-04738-0007	BL-04738-0006	X		
K-01500-0088	French/English (Quebec)	BL-04573-0008	BL-04573-0007	BL-04738-0029	BL-04738-0092	BL-04738-0031	X		
K-01500-0096	Russian	BL-04573-0011	BL-04573-0012	BL-04738-0181	BL-04738-0182	BL-04738-0183	X		
K-01500-0103	English, 3-Button, 1-Coin (United Kingdom)	BL-04573-0001	BL-04573-0013	BL-04738-0005	BL-04738-0007	BL-04738-0015	X		
K-01500-0104	English, 5-Button, 2-Coin (United Kingdom)	BL-04571-0038	BL-04571-0039	BL-04571-0046	BL-04738-0117 (Call Atten)	BL-04738-0188 (Auto Play)	X		
K-01500-0120	English	BL-04571-0007	BL-04571-0008	BL-04738-0005	BL-04738-0007	BL-04738-0015	X		
K-01500-0121	English, 5-Button (United Kingdom)	BL-04573-0027 (Start)	BL-04738-0215 (Transfer Max)	BL-04738-0050 (Collect)	BL-04738-0218 (Call Atten)	BL-04738-0216 (Auto Play)	X		
K-01500-1001	English	AS-04573-0001	AS-04573-0002	AS-04572-0003	AS-04572-0001	AS-04572-0007		X	
K-01500-1002	Spanish	AS-04573-0009	AS-04573-0010	AS-04572-0030	AS-04572-0029	AS-04572-0032		X	
K-01500-1003	French	AS-04573-0003	AS-04573-0004	AS-04572-0010	AS-04572-0009	AS-04572-0011		X	
K-01500-1004	English, Bellringer	AS-04573-0001	AS-04573-0002	AS-04572-0003	AS-04572-0001	AS-04572-0007		X	
K-01500-1005	French/English (Quebec)	AS-04573-0008	AS-04573-0007	AS-04572-0026	AS-04572-0027	AS-04572-0028		X	
K-01500-1006	English (New Jersey)	AS-04573-0001	AS-04573-0002	AS-04572-0003	AS-04572-0001	AS-04572-0002		X	
K-01500-1007	English, Bellringer (New Jersey)	AS-04573-0001	AS-04573-0002	AS-04572-0003	AS-04572-0001	AS-04572-0002		X	
K-01500-1008	English, Betty Boop	AS-04573-0001	AS-04572-0002	AS-04572-0003	AS-04572-0001	AS-04572-0007		X	
K-01500-1009	Finland, Bellringer	AS-04573-0003	AS-04573-0004	AS-04572-0010	AS-04572-0009	AS-04572-0011		X	
K-01500-1010	Spanish, Bellringer	AS-04573-0009	AS-04573-0010	AS-04572-0030	AS-04572-0029	AS-04572-0032		X	
K-01500-1011	Spanish, Bellringer	AS-04573-0009	AS-04573-0010	AS-04572-0030	AS-04572-0029	AS-04572-0032		X	
K-01500-0012	English	AS-04573-0001	AS-04573-0002	AS-04572-0003	AS-04572-0001	AS-04572-0007		X	
K-01500-1013	English, Betty Boop (New Jersey)	AS-04573-0001	AS-04573-0002	AS-04572-0003	AS-04572-0001	AS-04572-0002		X	

| - Revised, || - New

## ProSlot® 6000

### Door Assembly

Coin Panel Assembly

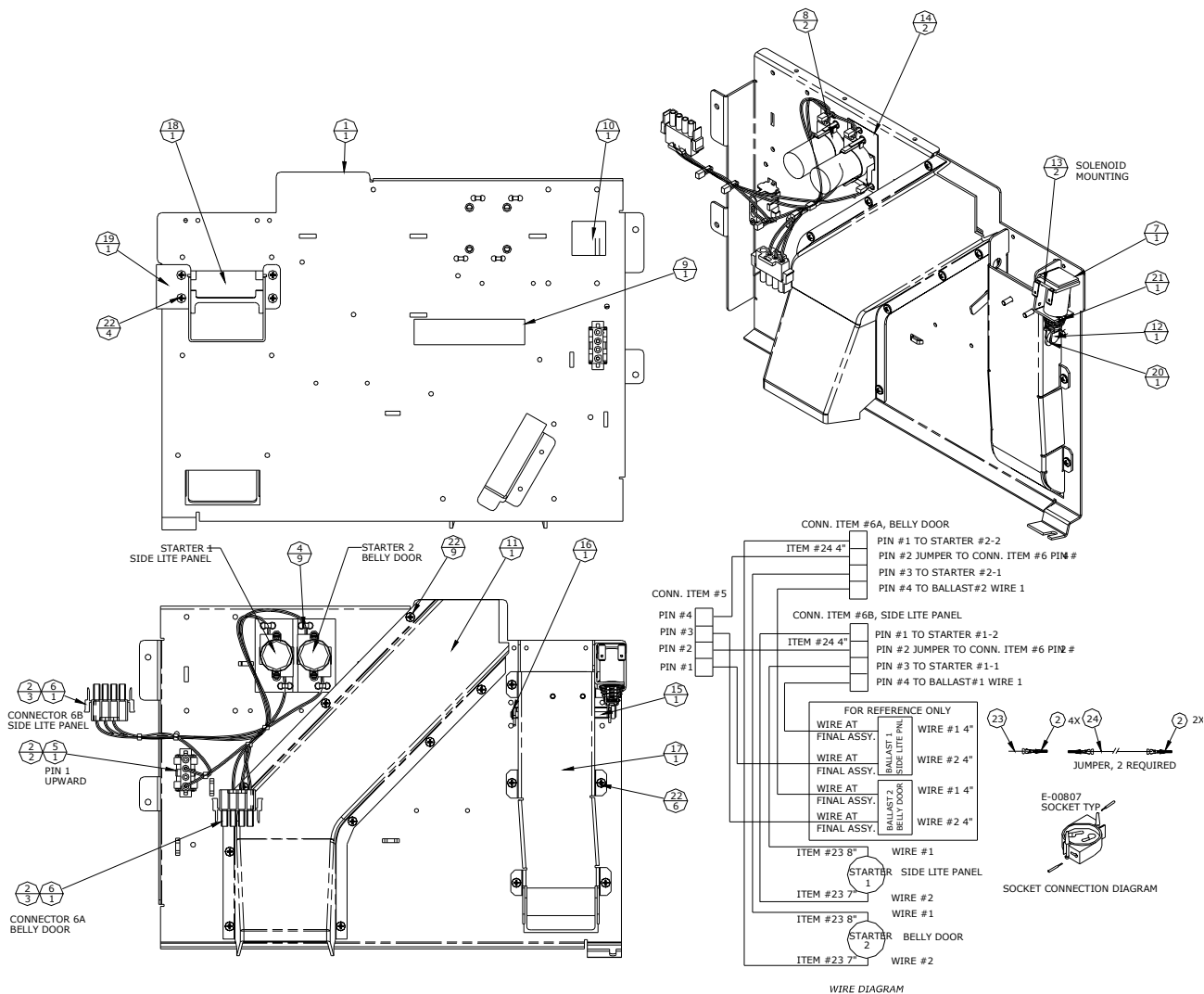
Upright

AS-03210-(SERIES)

Coin Panel Assembly

AS-03210-0094

Upright



REF	PART #	DESCRIPTION	QTY
1	A-06505-0008	Assembly, Coin Panel, Ballast/Starter	1
2	E-00807	Socket, Amp. 24-18	8
3	E-00411-0010	Starter, Fluorescent, FS-2	2
4	E-00647-0004	Tie Wrap	9
5	E-00804-0004	Connector Housing Cap	1
6	E-00808-0004	Connector Housing Plug	2
7	E-00947-0019	Coil, Diverter	1
8	E-00120-0265	Socket, Fluorescent Lamp Starter, CE97	2
9	LBL-00109-001A	Label, Power Off	1
10	LBL-00113-001A	Label, High Voltage	1
11	M-03093-0022	Chute, Coin Reject	1
12	M-03104-0001	Link, Plastic, Coin Diverter	1

REF	PART #	DESCRIPTION	QTY
13	MSPX-00632-1102	Screw, Machine Phil Flat Hd 82 DEG	2
14	P-00150-0292	Insulator, Polycarbonate, CE97	2
15	P-01638-0003	Pin, Pivot	1
16	P-02891-0004	Retaining Ring, .156 Shaft X .025 Thk	1
17	P-06804-0004	Chute, Coin Diverter	1
18	P-09319-0519	Diverter, Coin	1
19	P-09319-0527	Ramp, Coin Hopper	1
20	S-00231-1031	Spacer, Plastic, Diverter Link	1
21	SP-00200-0246	Spring, Compression	1
22	TFPP-00632-1104	Screw, 6-32 X 1/4 Thd Form Phil Pan Hd	19
23	WIP-ES202-1850-0094	PVC, Solid 18 AWG White Type TEW	1
24	WIP-ES202-1880-0094	PVC, Solid 18 AWG Black Type TEW	1

# ProSlot® 6000

## Door Assembly

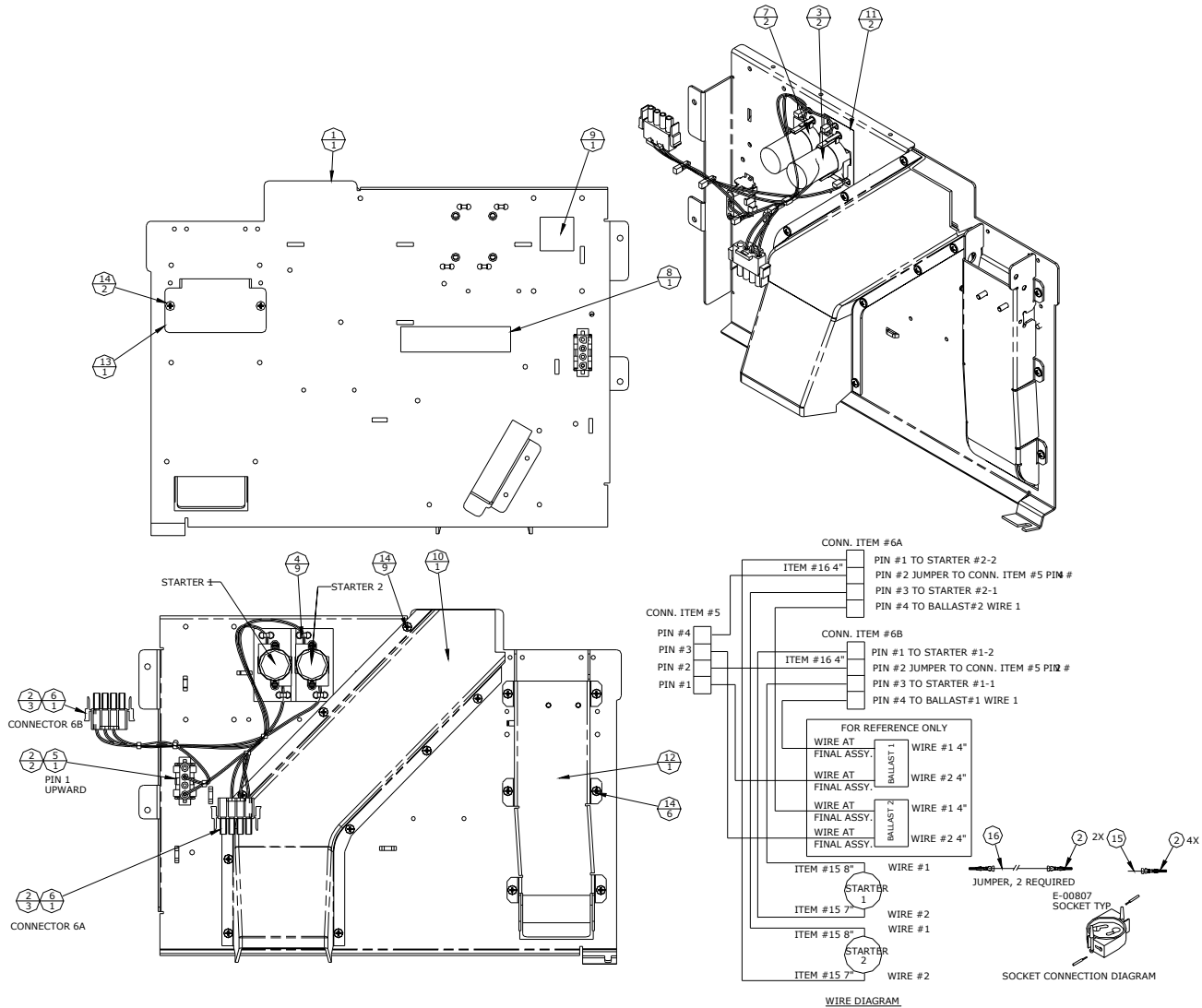
Coin Panel Assembly (Cont.) AS-03210-(SERIES)

☑ Upright

Coin Panel Assembly with Printer

AS-03210-0105

☑ Upright



REF	PART #	DESCRIPTION	QTY
1	A-06505-0008	Assembly, Coin Panel, Ballast/Starter	1
2	E-00807	Socket, Amp, 24-18	8
3	E-00411-0008	Starter, Fluorescent, FS-2	2
4	E-00647-0004	Tie Wrap	9
5	E-00804-0004	Connector Housing Cap	1
6	E-00808-0004	Connector Housing Plug	2
7	E-00120-0265	Socket, Fluorescent Lamp Starter, CE97	2
8	LBL-00109-001A	Label, Power Off	1

REF	PART #	DESCRIPTION	QTY
9	LBL-00113-001A	Label, High Voltage	1
10	M-03093-0022	Chute, Coin Reject	1
11	P-00150-0292	Insulator, Polycarbonate, Ce97	2
12	P-06804-0004	Chute, Coin Diverter	1
13	P-09327-0001	Glide, Coin	1
14	TFFP-00632-1104	Screw, 6-32 X 1/4 Thd Form Phil Pan Hd	17
15	WIP-ES202-1850-0094	PVC, Solid 18 AWG White Type TEW	1
16	WIP-ES202-1880-0094	PVC, Solid 18 AWG Black Type TEW	1

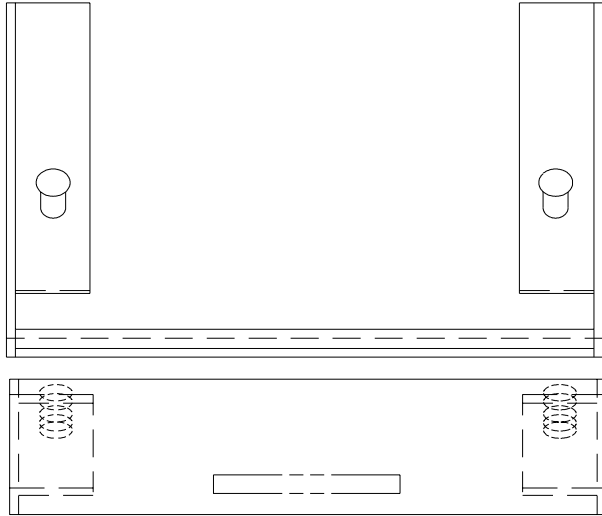
## ProSlot® 6000

### Door Assembly

Coin Exit Chute

P-09382-(SERIES)

Upright



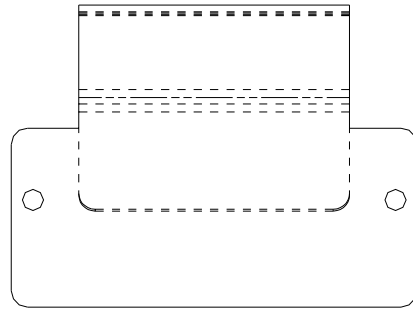
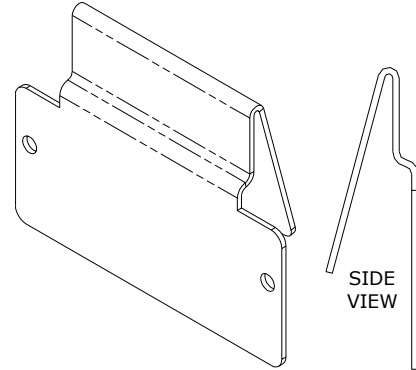
**AVAILABILITY:**

PART #	DESCRIPTON
P-09382-0001	Coin Exit Chute, Chrome
P-09382-0004	Coin Exit Chute, Gold

Coin Glide

P-09327-0001

Upright



FRONT VIEW

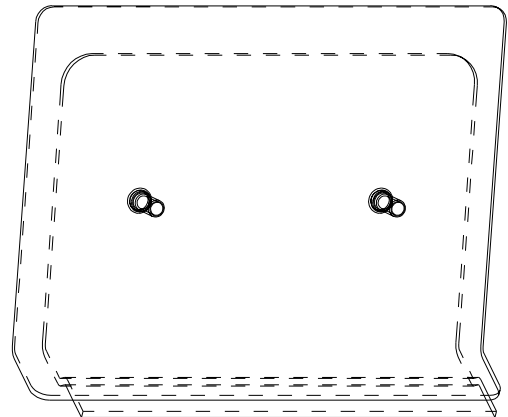
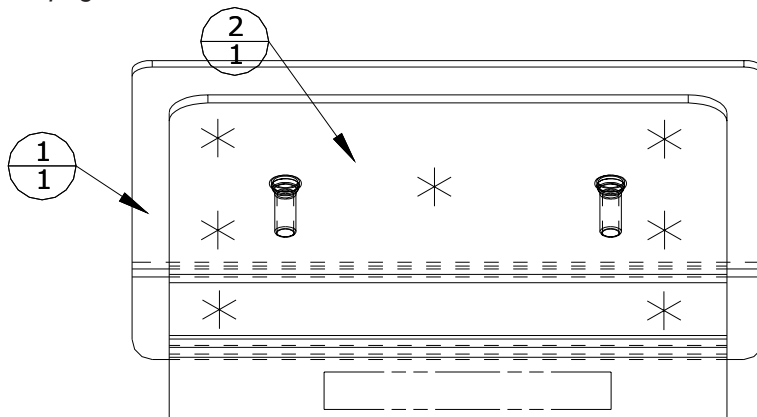
**AVAILABILITY:**

PART #	DESCRIPTON
K-00694-0595	Bill Acceptor Cover Plate, Chrome
K-00694-0606	Bill Acceptor Cover Plate, Gold

Bill Acceptor Cover Plate Kit

K-00694-(SERIES)

Upright



REF	PART #	DESCRIPTION	QTY	PART #
1	P-03207-0001	Cover, Bill Acceptor	1	0595
				0606
2	P-03207-0002	Liner, Bill Acceptor Cover	1	0595
				0606
3	A-03207-1001	Assembly, Bill Acceptor Cover Plate, Chrome	1	0595
	A-03207-1004	Assembly, Bill Acceptor Cover Plate, Gold	1	0606
4	C-04703-014A	Trim, Door, Chrome With Brass Groove	1	0595
				0606

REF	PART #	DESCRIPTION	QTY	PART #
5	NLS-00632-1112	Nut	2	0595
				0606
6	NLS-00832-1112	Nut	4	0595
				0606
7	P-09322-0281	Bracket, Bill Acceptor Clamp	1	0595
				0606
8	P-09322-0282	Clamp, Strip, Door Trim	1	0595
				0606

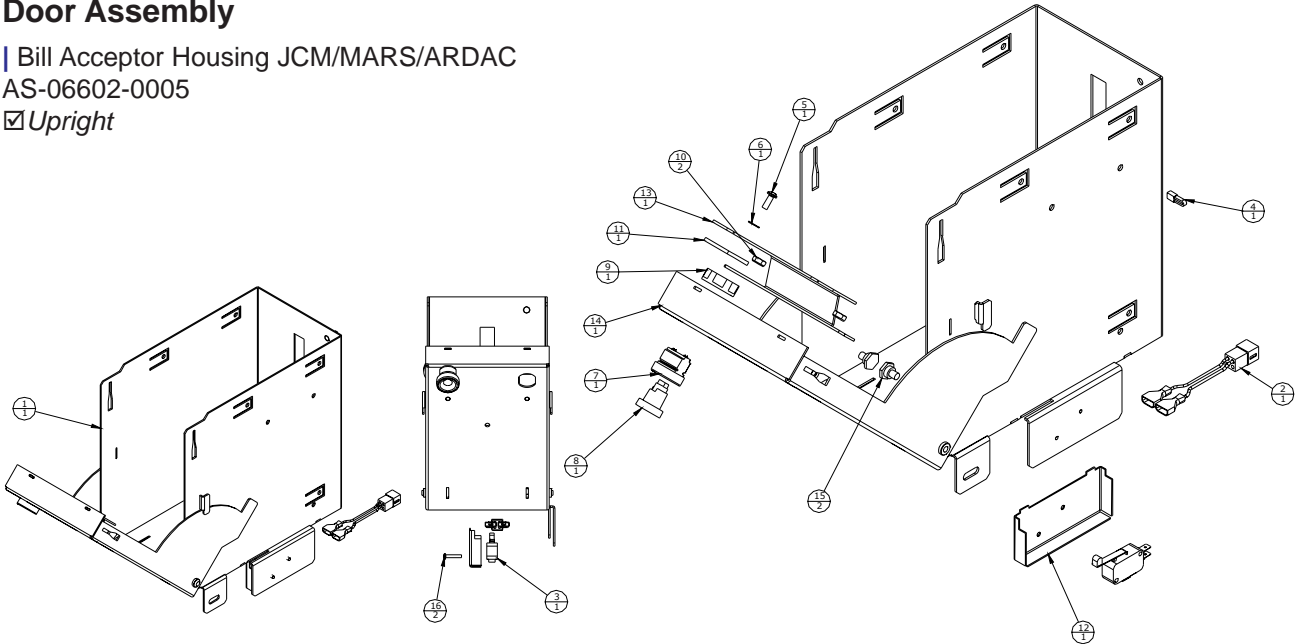
# ProSlot® 6000

## Door Assembly

Bill Acceptor Housing JCM/MARS/ARDAC

AS-06602-0005

Upright



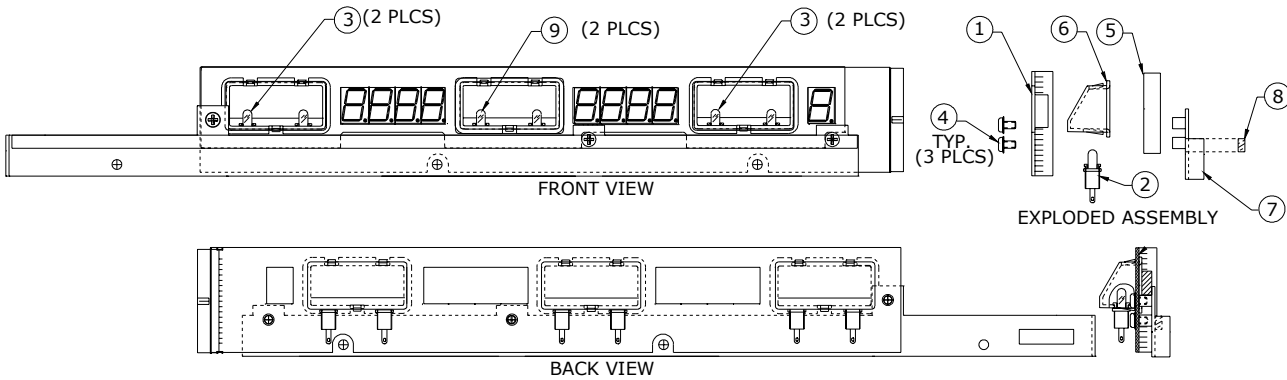
REF	PART #	DESCRIPTION	QTY
1	A-06511-0008	Housing, Bill Acceptor, JCM/Mars/Ardac	1
2	CBL-20214-0001	Cable, Bill Acceptor Switch	1
3	E-00108-367A	Switch, Snap Action, E21-50k	1
4	E-00647-0004	Tie Wrap	1
5	HLPP-00600-1106	Screw, Hi-Lo, Phil Pan Hd	1
6	M-01700-0006	Lock Washer, External Tooth	1
7	M-01757-0014	Housing, Lock, Plastic	1
8	M-01757-0015	Cylinder, Lock, Plastic	1

REF	PART #	DESCRIPTION	QTY
9	M-01757-0016	Nut, Lock Housing, Plastic	1
10	NLS-00632-1112	Hex Nut	2
11	P-00758-0155	Cam, Bill Acceptor Door Lock, JCM/Mars/Ardac	1
12	P-06006-0001	Cover, Door Switch	1
13	P-06006-0002	Cover, Lock, JCM/Mars/Ardac	1
14	P-06008-0001	Housing, Cover	1
15	S-02028-0001	Screw, Shoulder, Front Door CBV	2
16	TFPP-00440-1110	Screw, 4-40 X 5/8 Thd Form Phil Pan Hd	2

## Win Meter Lower Display

AS-03360-0029

Upright

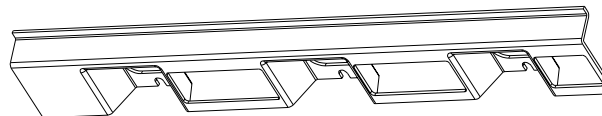


REF	PART #	DESCRIPTION	QTY
1	AS-03356-0525	Display Board W/Hit & Run Connector	1
	AS-03356-0623	Display Board W/Hit & Run Connector (Left)	1
2	E-00120-0264	Socket, Lamp, Wedge Base, T-1 3/4	6
3	E-00125-0084	Lamp, 6.3v, .2amp, Wedge Base Incan, T 1-3/4	4
4	LSPP-00632-1104	Screw, 6-32 X 1/4 Mach W/Lock Phil Pan Hd.	3
5	R-00553-0042	Gasket, 1/8 X 3/16 X 12.25, 1-Sided	1
6	M-06001-0003	Shield, Light, Win Meter	1
7	P-09319-0426	Bracket, Mounting, Win Meter	1
8	NLS-00632-1112	Nut	3
9	E-00125-0099	Lamp, 14v .1 Amp, Wedge Base Incan, T 1-3/4	2

## Win Meter Light Shield

M-06001-0003

Upright /  Slant /  S6E



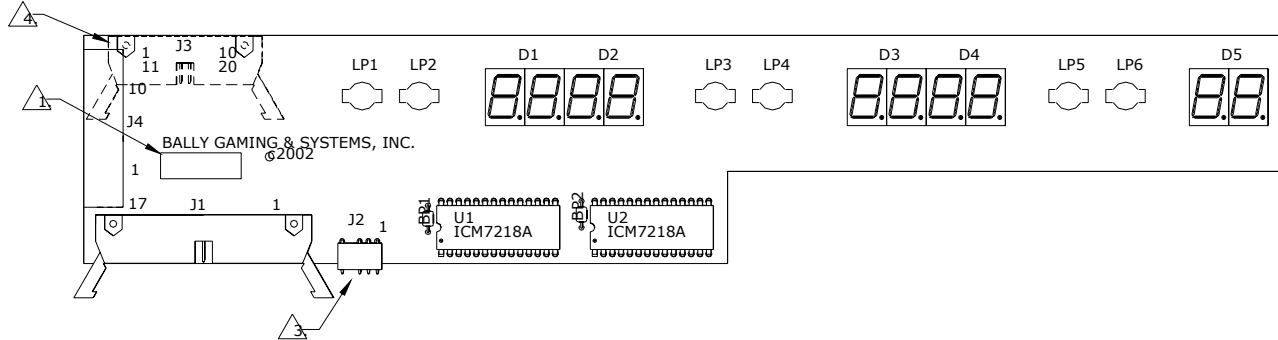


## ProSlot® 6000

### Door Assembly

Display Board with Hit/Run Connector AS-03356-0525

Upright /  Slant /  S6E



REF	LOCATION	PART #	DESCRIPTION	QTY
1		P-09018-0623	PC Board, Using M-02045-0623 Rev A	1
2	BP1, BP2	CCP-A3+50-0104	CER/CAP, Axial, X7r, 50v, 0.1 Mf	2
3	D1 - D5	E-00680-0029	Display, 7 SEG, Dual	5
4	J1	E-01086-0134	Header, R/A, 34 Pos With Latch	1
5	J2	E-00989-0005	Header, Str, 5 Pos Mta-100, Fric. Loc	1

REF	LOCATION	PART #	DESCRIPTION	QTY
6	J3	E-01086-0120	Header, R/A, 20 Pos W/Latch	1
7	J4		Not Stuffed	
8	U1, U2	E-00620-0596	IC, Display Driver, 8-Char, ICM7218A	2
9	D1 - 4	E-01104-0019	Socket, IC, Single Row, Elevated, 19-Pin	4
10	D5	E-01104-0009	Socket, IC, Single Row, Elevated, 9-Pin	2

### Light Assembly

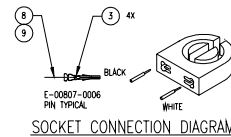
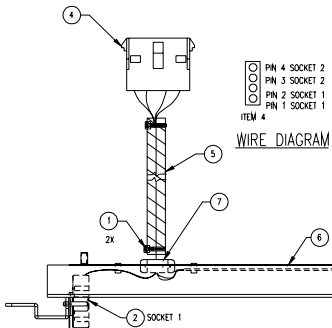
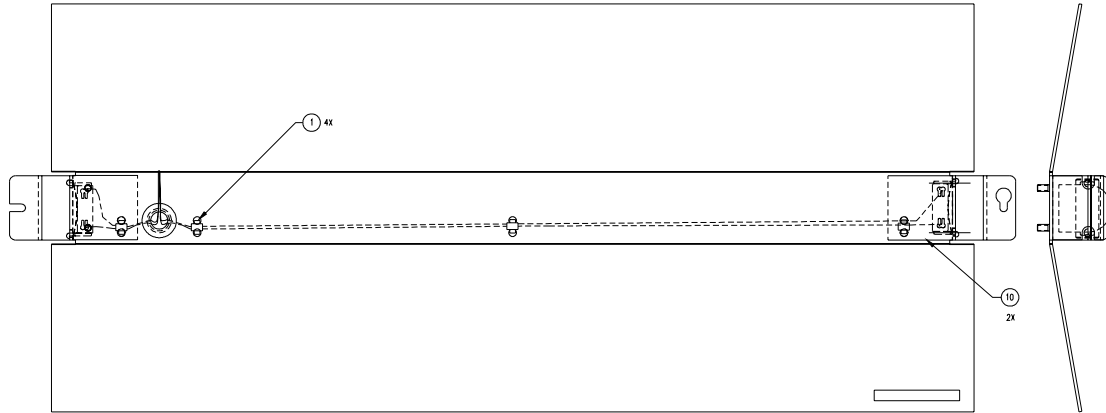
Upright

AS-03361-(SERIES)

### Belly Glass Light Assembly

AS-03361-0026

Upright



REF	PART #	DESCRIPTION	QTY
1	E-00647-0004	Tie Wrap	6
2	E-00120-0266	Socket, Fluorescent Lamp	2
3	E-00807-0006	Pin, Amp 24-18 AWG	4
4	E-00804-0004	Connector Housing Plug	1
5	M-01777-5602	Spiral Wrap 3/8 Diameter	A/R

REF	PART #	DESCRIPTION	QTY
6	P-06004-0021	Bracket, Light, Door Mounting	1
7	R-00111-0060	Grommet, 3/4	1
8	WIP-ES203-1850	PVC, Stranded, 18 AWG White Type TEW	A/R
9	WIP-ES203-1880	PVC, Stranded, 18 AWG Black Type TEW	A/R
10	P-00150-0290	Insulator	2

# ProSlot® 6000

## Door Assembly

Light Assembly (Cont.)

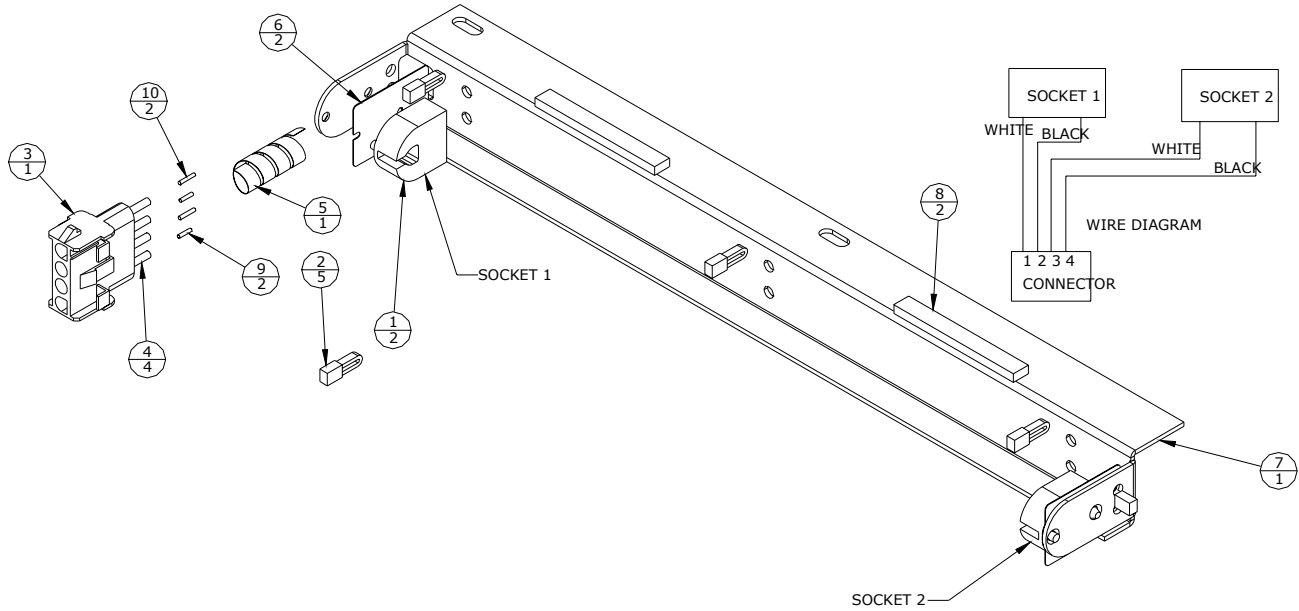
Upright

AS-03361-(SERIES)

Reel Glass Retainer with Printer

AS-03361-0024

Upright



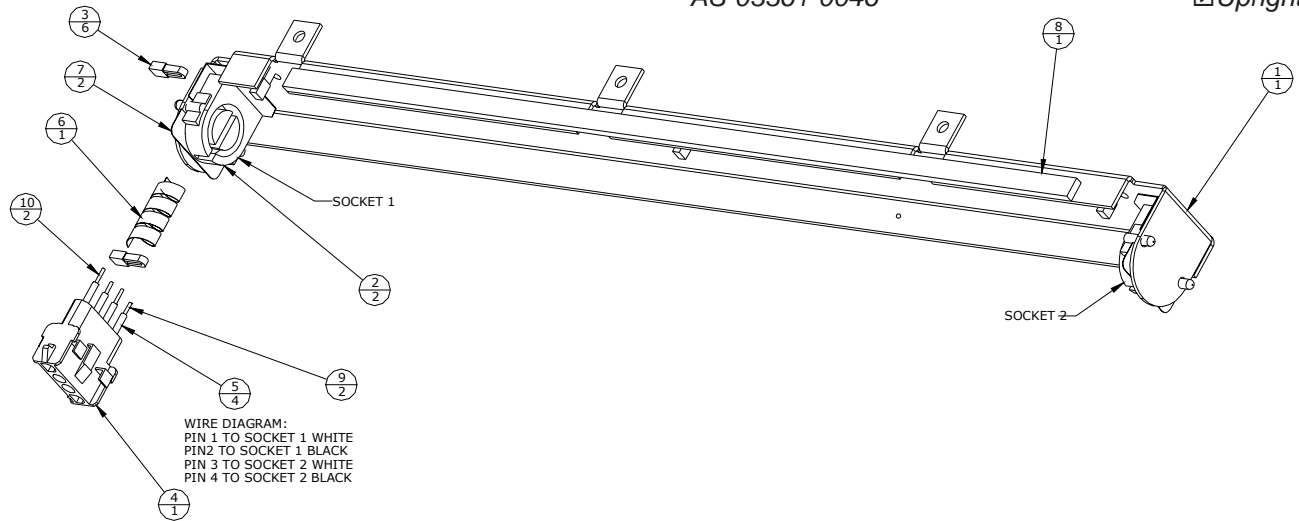
REF	PART #	DESCRIPTION	QTY
1	E-00120-0268	Socket, Fluorescent, 4W	2
2	E-00647-0004	Tie Wrap	5
3	E-00804-0004	Connector Housing Cap	1
4	E-00807-0006	Contact Pin, Amp 24-18	4
5	M-01777-5602	Spiral Wrap	1

REF	PART #	DESCRIPTION	QTY
6	P-00150-0297	Insulator, 4W Socket	2
7	P-09322-0311	Bracket, Reel Light, 12-Inch	1
8	R-00553-0011	Gasket, 1/8 X 1/4 X 2 Inch, 2-Sided	2
9	WIP-ES202-1850	PVC, Solid, 18 AWG White Type TEW	2
10	WIP-ES202-1880	PVC, Solid, 18 AWG Black Type TEW	2

## Reel Glass Retainer

AS-03361-0046

Upright



REF	PART #	DESCRIPTION	QTY
1	A-06503-0003	Bracket, Mounting, Glass Retainer, Wide	1
2	E-00120-0266	Socket, Fluorescent Lamp, CE97	2
3	E-00647-0004	Tie Wrap	3
4	E-00804-0004	Connector Housing Cap	1
5	E-00807-0006	Contact Pin, Amp 24-18	4

REF	PART #	DESCRIPTION	QTY
6	M-01777-5602	Spiral Wrap	1
7	P-00150-0295	Insulator, Polycarbonate, CE97	2
8	R-00553-0033	Gasket, 1/8 X 5/16 X 14.94 Inch, 2-Sided	1
9	WIP-ES202-1850	PVC, Solid, 18awg White Type TEW	2
10	WIP-ES202-1880	PVC, Solid, 18awg Black Type TEW	2

## ProSlot® 6000

### System Panels

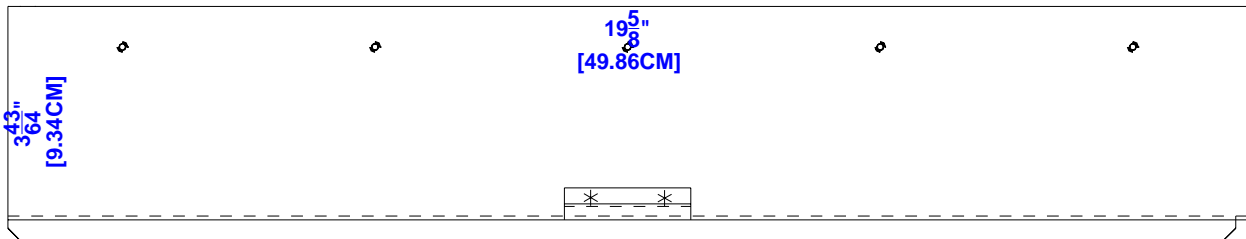
### P-08600-(SERIES)

☑ Upright

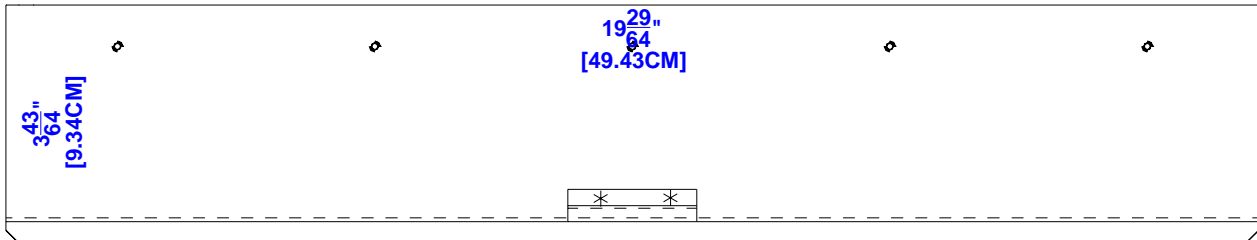
PART #	DESCRIPTION
P-08600-S676	AGI TS Mounting Bracket, Magnetic Reader, Oval Top
P-08600-S622	AGI, Magnetic Reader, CTE/WTE
P-08600-S621	AGI, Magnetic Reader, WRE
P-08600-S669	AGI, Mounting Bracket, Magnetic Reader/16 X 2 Display/Keypad
P-08600-S632	AGI, Mounting Bracket, Optic Reader
P-08600-S623	AGI, Mounting bracket, Magnetic Reader
P-08600-S631	AGI, Optical Reader, CTE/WTE
P-08600-S630	AGI, Optical Reader, WRE
P-08600-S668	AGI, Reader/16 X 2 Display/Keypad, WRE
P-08600-S638	AGI/IGS, Keypad, CTE/WTE
P-08600-S637	AGI/IGS, Keypad, WRE
P-08600-S628	AGI/IGS, Magnetic Reader/Display/Button, CTE/WTE
P-08600-S660	AGI/IGS, Magnetic Reader/Display/Button/Keypad, CTE/WTE
P-08600-S659	AGI/IGS, Magnetic Reader/Display/Button/Keypad, WRE
P-08600-S627	AGI/IGS, Magnetic Reader/Display/Button, WRE
P-08600-S636	AGI/IGS, Mounting Bracket, Keypad
P-08600-S629	AGI/IGS, Mounting Bracket, Magnetic Reader/Display/Button
P-08600-S661	AGI/IGS, Mounting Bracket, Magnetic Reader/Display/Button/Keypad
P-08600-S667	AGI/IGS, Reader/16 X 2 Display/Keypad, CTE/WTE
P-08600-S649	Aristocrat, Overlay
P-08600-S650	Aristocrat, Player Tracking
P-08600-S651	Aristocrat, Player Tracking, WRE
P-08600-S602	Blank CTE WRE
P-08600-S601	Blank WRE
P-08600-S613	CDS, OSII, Magnetic/Optic Reader, CTE/WTE
P-08600-S612	CDS, OSII, Magnetic/Optic Reader, WRE
P-08600-S614	CDS, OSII, Mounting Board, Magnetic/Optic Reader
P-08600-S670	DACOM Mounting Bracket, Display/Keypad/Reader
P-08600-S671	DACOM Player Tracking, Display/Keypad/Reader, WRE
P-08600-S672	DACOM Player Tracking, Display/Keypad/Reader, CTE/WTE
P-08600-S610	DMK Reader, Display/Keypad, CTE/WTE
P-08600-S611	DMK, Mounting Bracket, Reader/Display/Keypad
P-08600-S626	EDT PT-M400, CTE/WTE
P-08600-S624	EDT PT-M400, Magnetic/Optic Reader
P-08600-S625	EDT PT-M400, Mounting Bracket, Magnetic/Optic Reader
P-08600-S604	EPI Reader/3-Button/Keypad, CTE/WTE

PART #	DESCRIPTION
P-08600-S603	EPI Reader, 3-Button/Keypad, WRE
P-08600-S605	EPI Reader, Mounting Board, 3-Button/Keypad
P-08600-S648	GRIPS
P-08600-S641	GRIPS CTE/WRE
P-08600-S639	GRIPS Mounting Bracket
P-08600-S647	GRIPS Mounting Bracket
P-08600-S640	GRIPS WRE
P-08600-S652	GRIPS WRE
P-08600-S663	GRIPS, STD3 Mounting Panel
P-08600-S664	GRIPS, STD3 Mounting Panel, CTE/WTE
P-08600-S665	GRIPS, STD3 Reader
P-08600-S620	GSI Reader Mounting Bracket, Reader/Display
P-08600-S618	GSI Reader WRE
P-08600-S619	GSI Reader CTE/WTE
P-08600-S658	MGM Mounting Bracket, Reader/Display
P-08600-S657	MGM Reader, Mounting Bracket, Reader/Display
P-08600-S656	MGM Reader/Display, WRE
P-08600-S616	MIKOHN Reader/Display/Keypad, CTE/WTE
P-08600-S615	MIKOHN Reader/Display/Keypad, WRE
P-08600-S617	MIKOHN Reader, Mounting Bracket, Display/Keypad
P-08600-S654	Monte Carlo Mounting Bracket, Magnetic Reader/Display
P-08600-S655	Monte Carlo, CTE/WTE
P-08600-S644	Sands, Back Plate
P-08600-S702	Sands, SMS, Bar Panel Mounting Bracket, Black, CTE/WTE
P-08600-S802	Sands, SMS, Bar Panel Mounting Bracket, Black, WRE
P-08600-S645	Sands, SMS, Bar Panel Mounting Bracket, CTE/WTE
P-08600-S646	Sands, SMS, Bar Panel Mounting Bracket, WRE
P-08600-S7XX	Sands, SMS, Mounting Bracket, C/WTE
P-08600-S8P4	Sands, SMS, Mounting Bracket, Gold, WRE
P-08600-S7P4	Sands, SMS, Mounting Bracket, Gold, CTE/WTE
P-08600-S8XX	Sands, SMS, Mounting Bracket, WRE
P-08600-S635	SDS Component, CTE/WTE
P-08600-S634	SDS Component, WRE
P-08600-S609	SDS DMK Reader/Display/Keypad, WRE
P-08600-S633	SDS Mounting Component

P-08600-S601



P-08600-S602



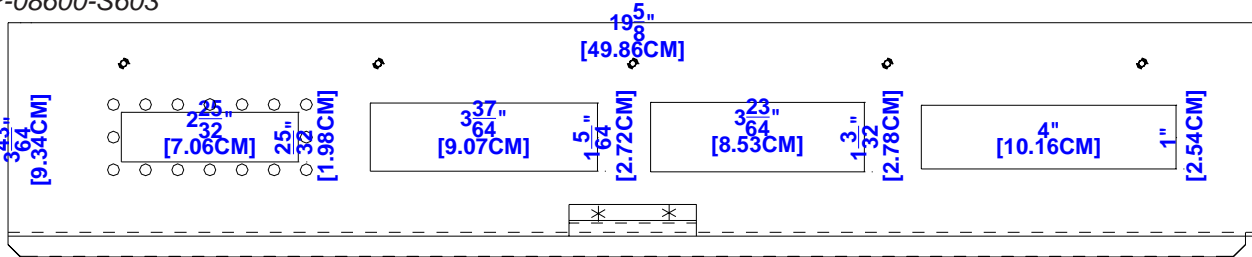
\*Illustrations not to scale.

# ProSlot® 6000

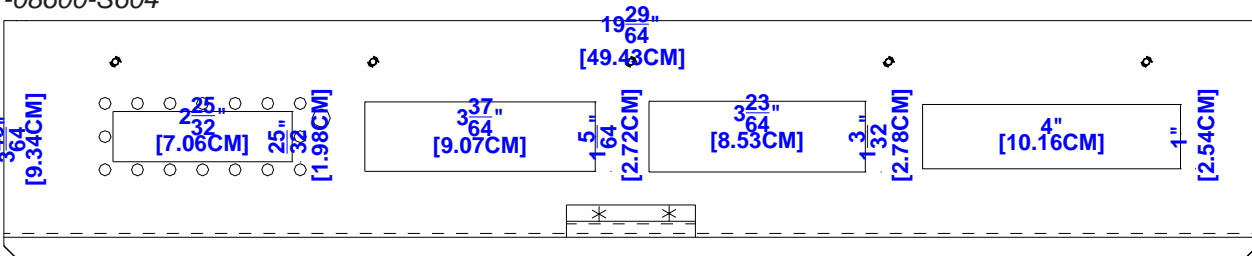
## System Panels P-08600-(SERIES)

Upright

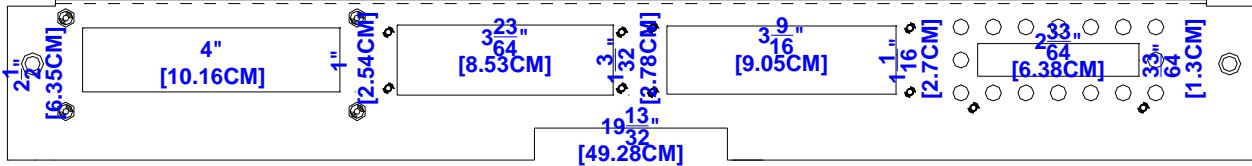
P-08600-S603



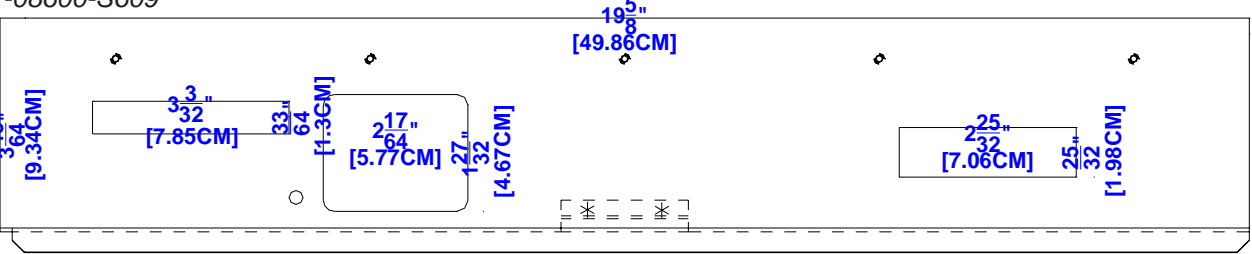
P-08600-S604



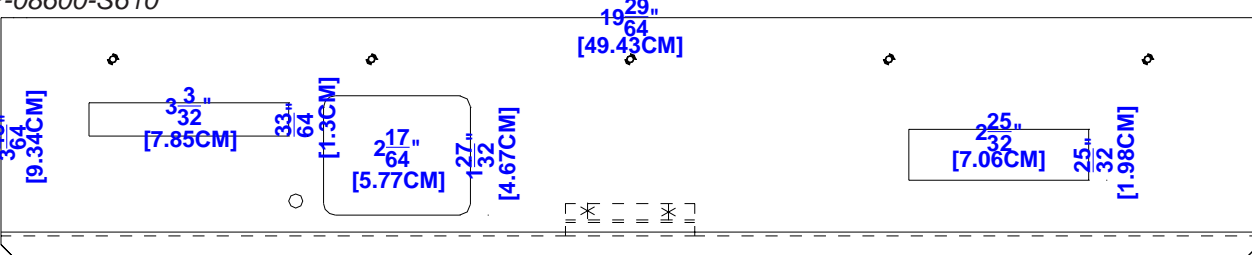
P-08600-S605



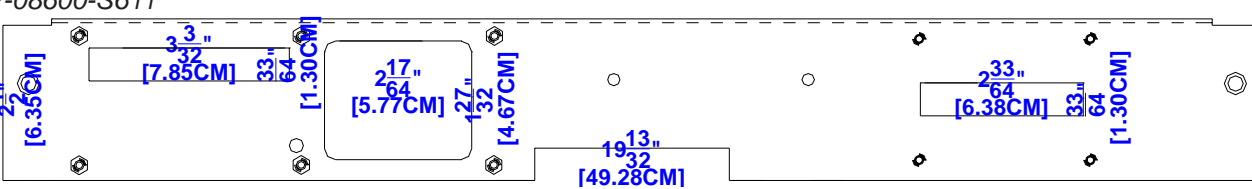
P-08600-S609



P-08600-S610



P-08600-S611



\*Illustrations not to scale.

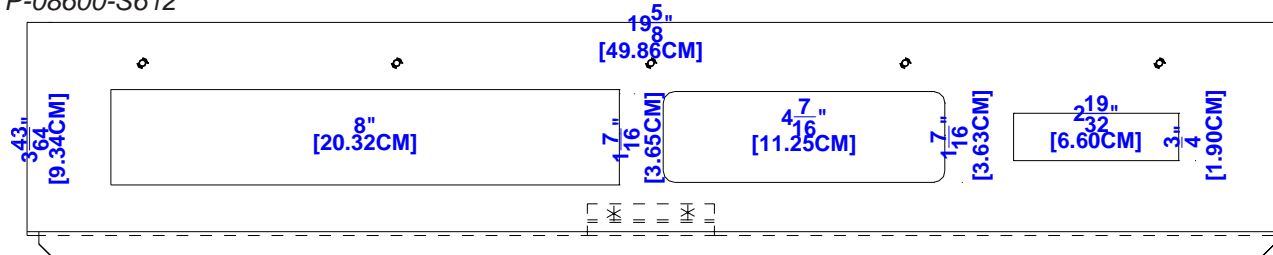
## ProSlot® 6000

### System Panels

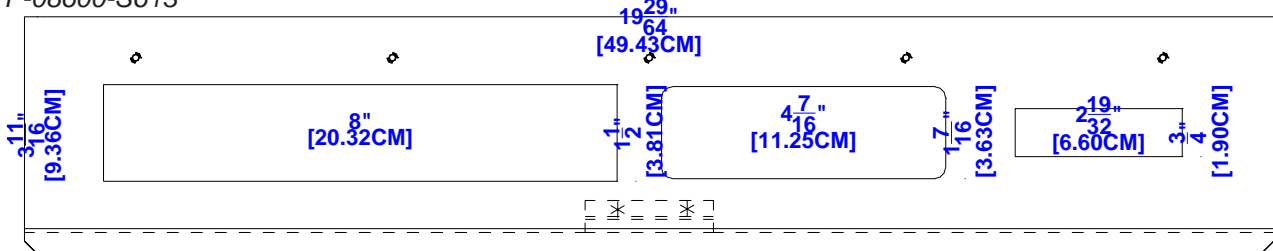
### P-08600-(SERIES)

Upright

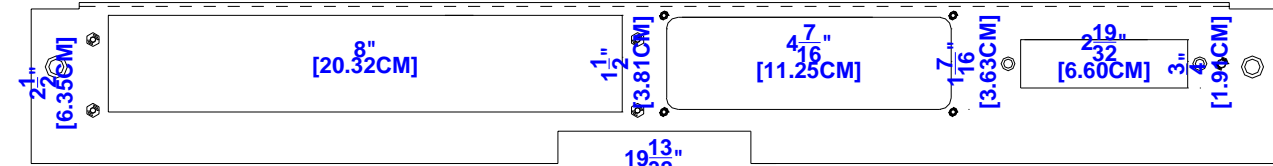
P-08600-S612



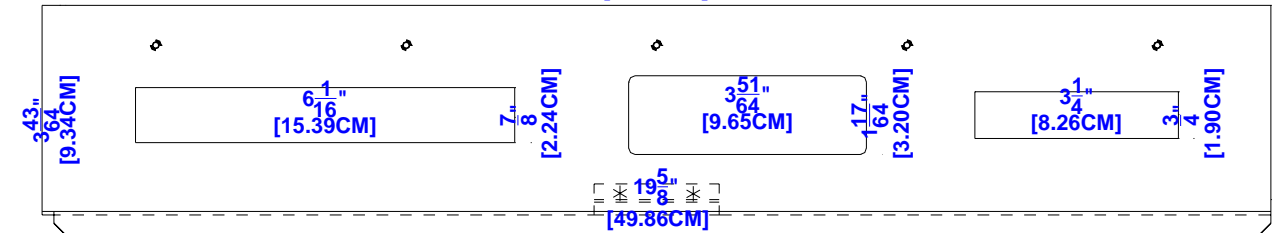
P-08600-S613



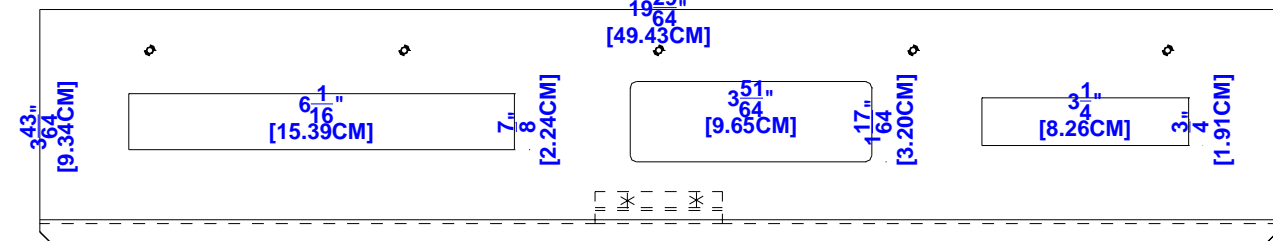
P-08600-S614



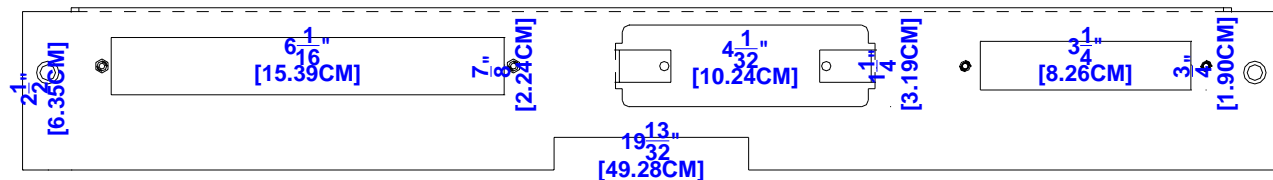
P-08600-S615



P-08600-S616



P-08600-S617



\*Illustrations not to scale.

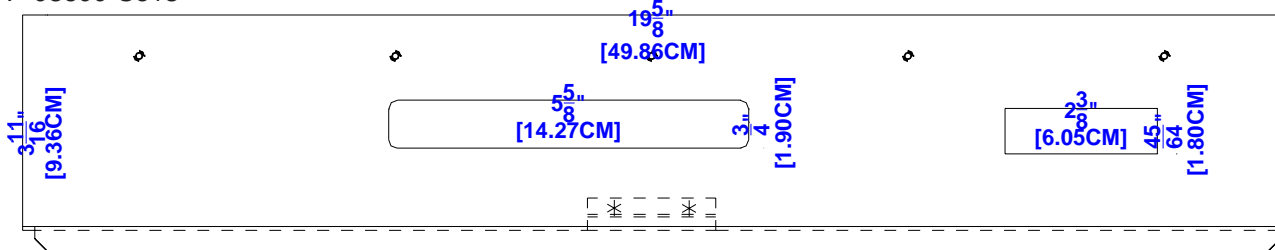
# ProSlot® 6000

## System Panels

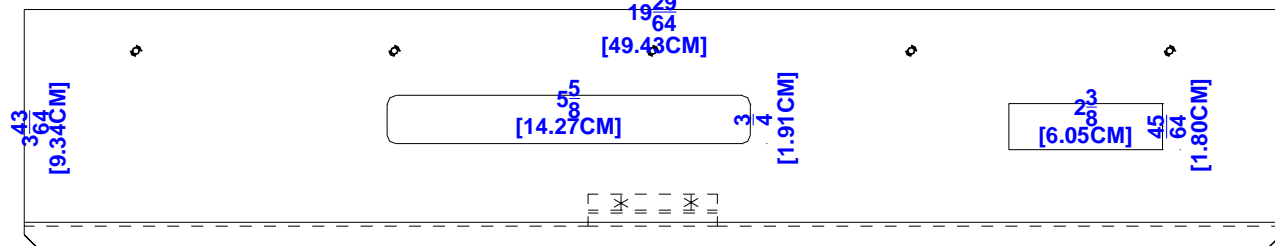
## P-08600-(SERIES)

Upright

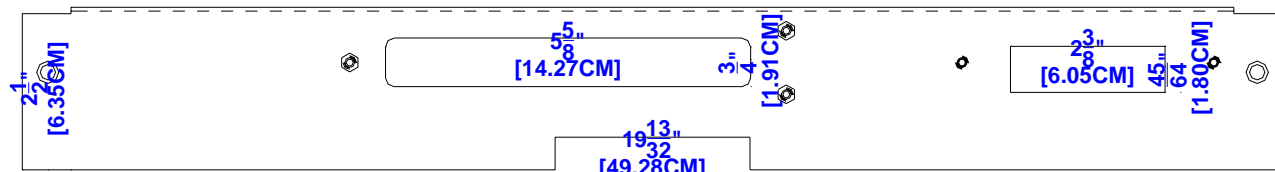
P-08600-S618



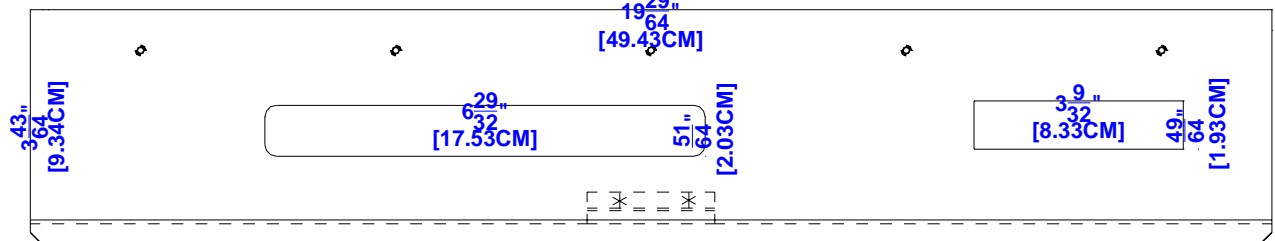
P-08600-S619



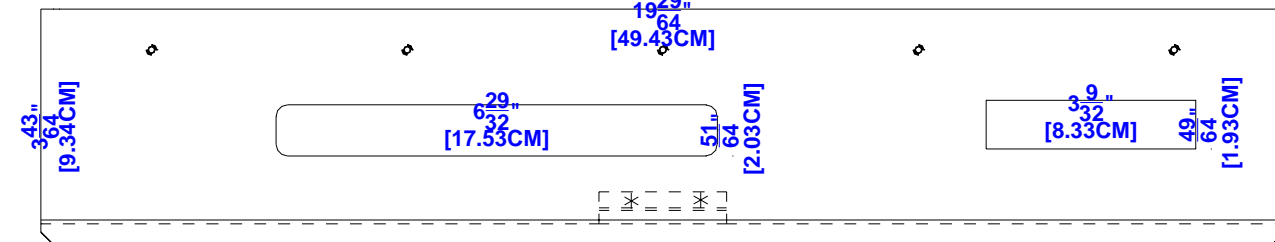
P-08600-S620



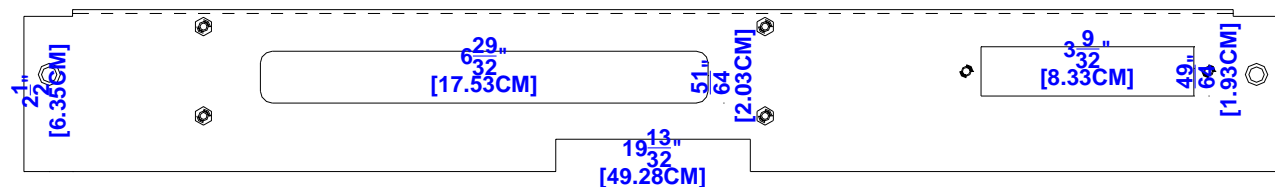
P-08600-S621



P-08600-S622



P-08600-S623



\*Illustrations not to scale.

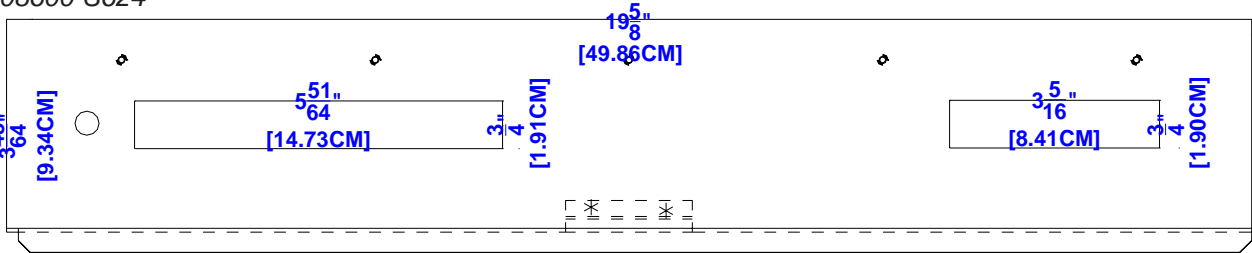
## ProSlot® 6000

### System Panels

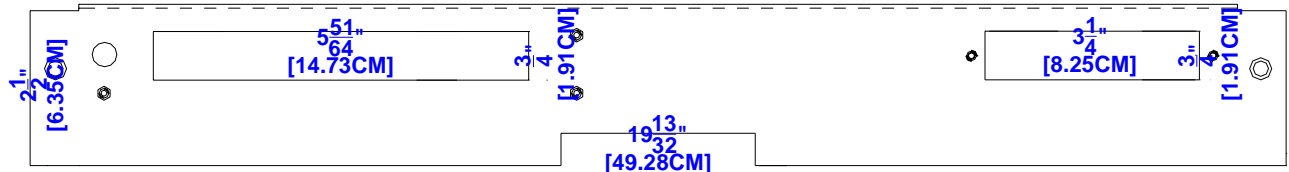
### P-08600-(SERIES)

Upright

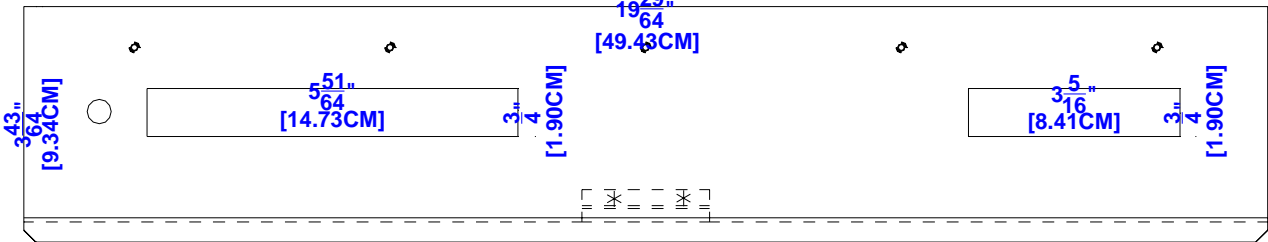
P-08600-S624



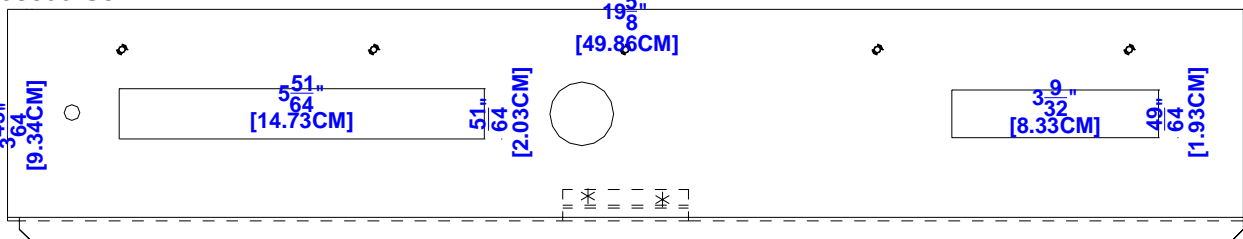
P-08600-S625



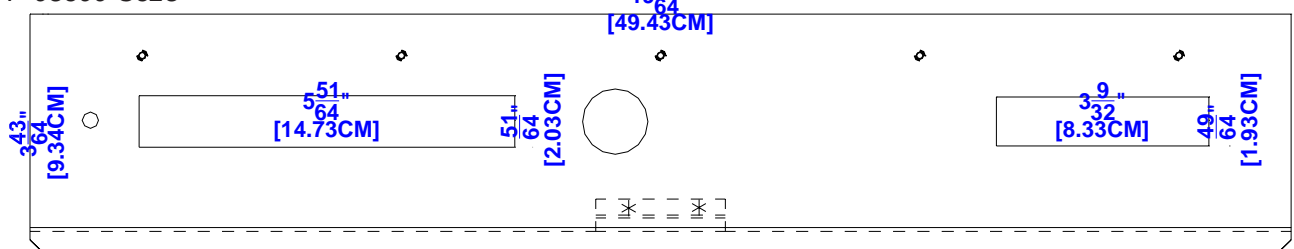
P-08600-S626



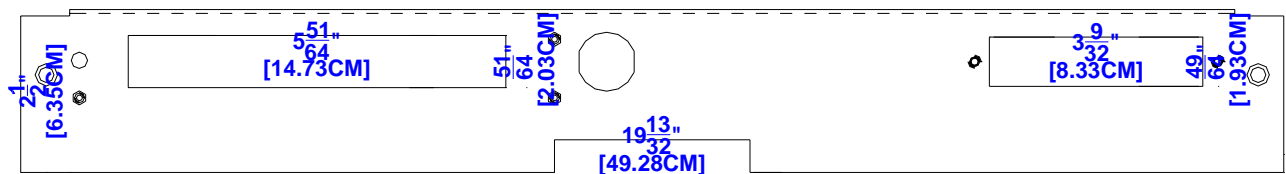
P-08600-S627



P-08600-S628



P-08600-S629



\*Illustrations not to scale.



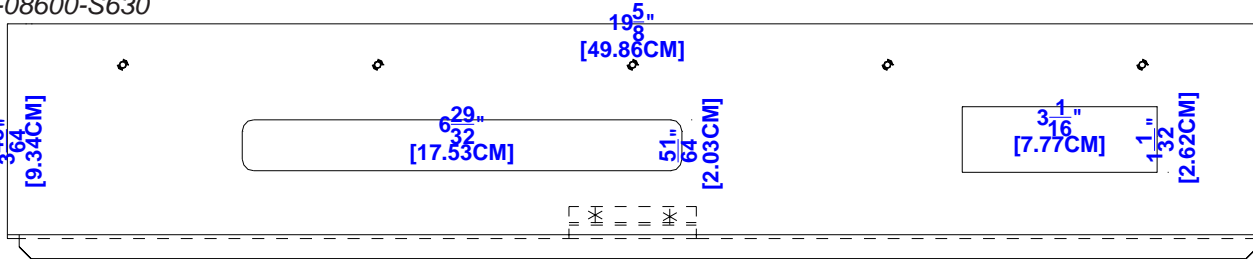
**ProSlot® 6000**

**System Panels**

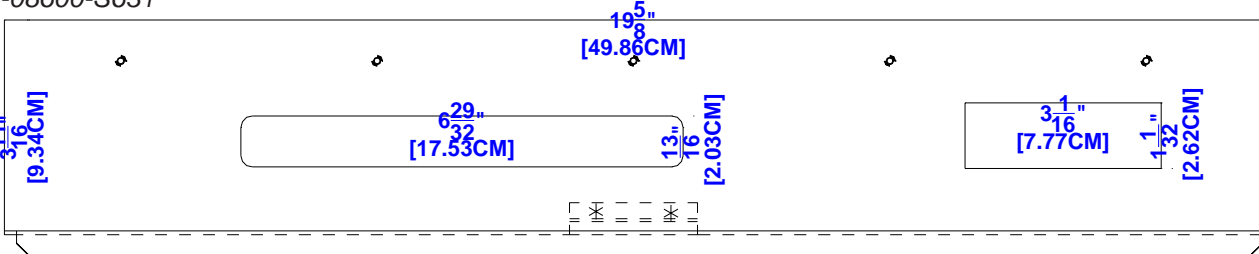
**P-08600-(SERIES)**

Upright

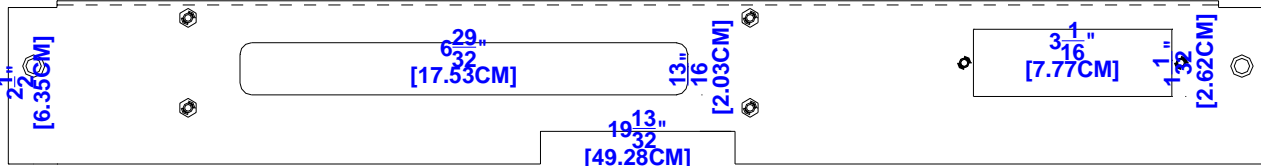
P-08600-S630



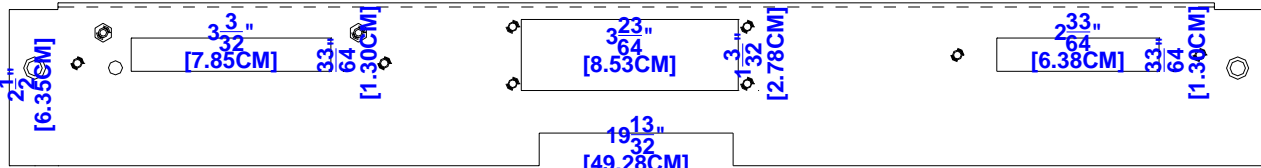
P-08600-S631



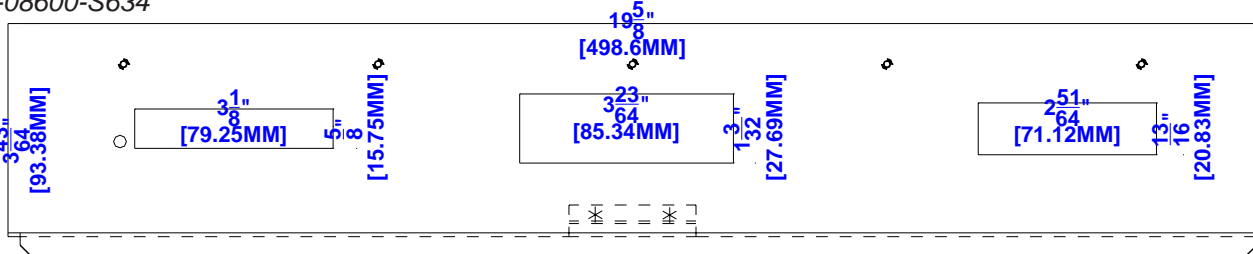
P-08600-S632



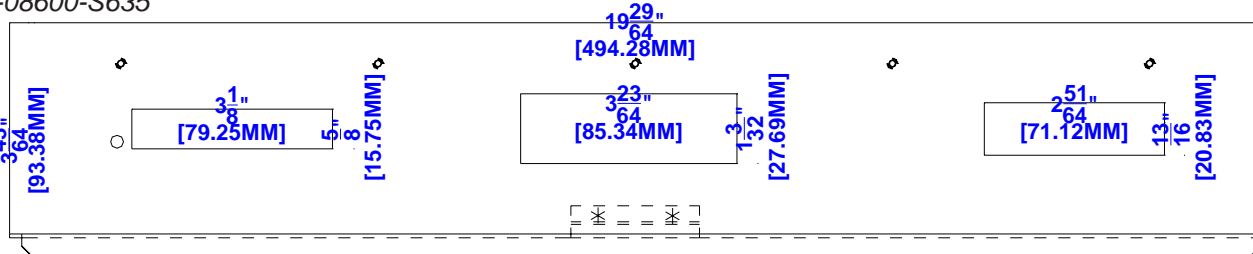
P-08600-S633



P-08600-S634



P-08600-S635



\*Illustrations not to scale.

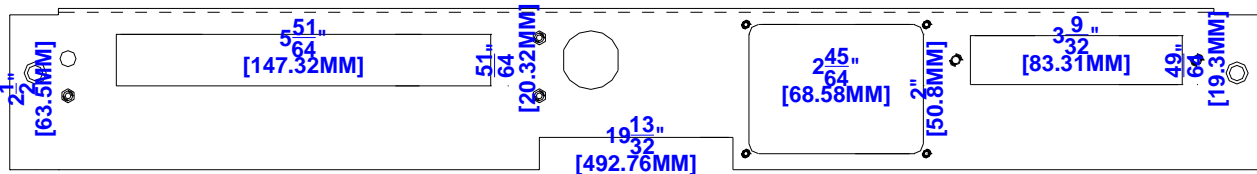
## ProSlot® 6000

### System Panels

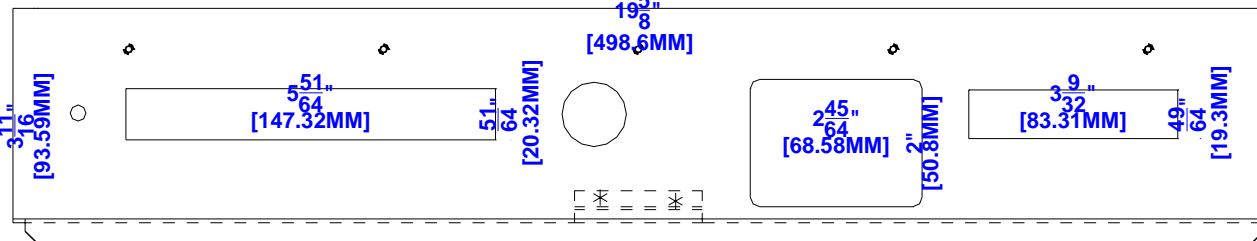
### P-08600-(SERIES)

Upright

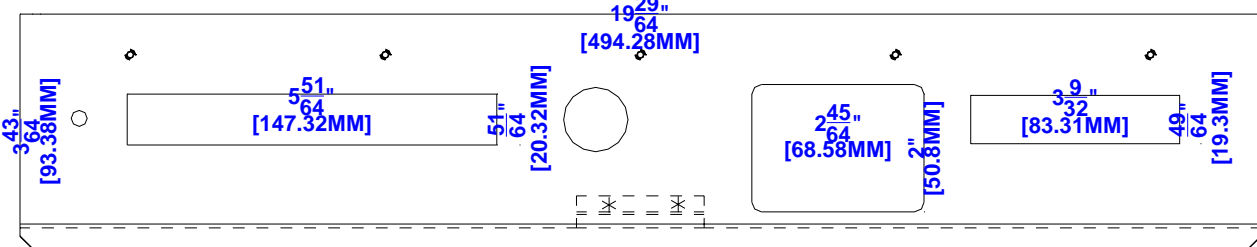
P-08600-S636



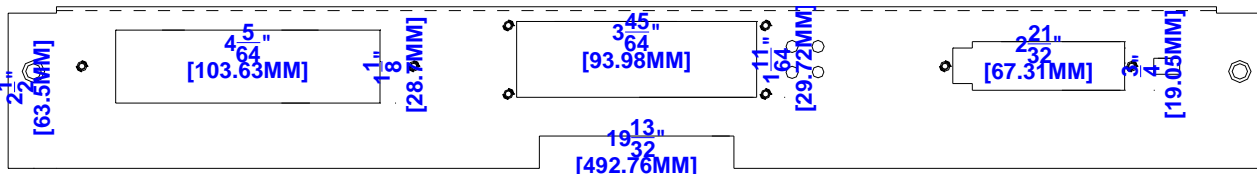
P-08600-S637



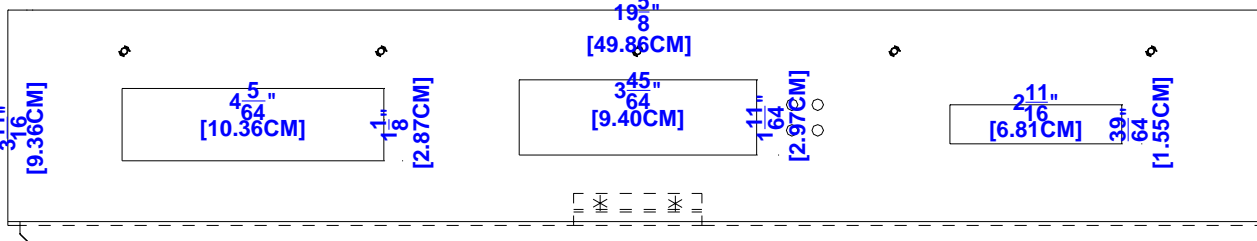
P-08600-S638



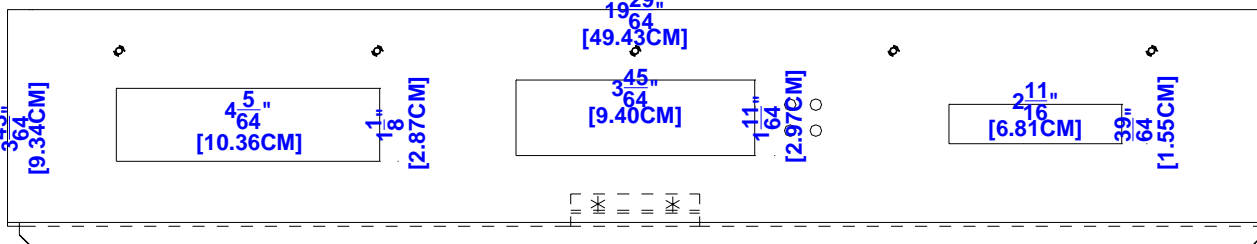
P-08600-S639



P-08600-S640



P-08600-S641



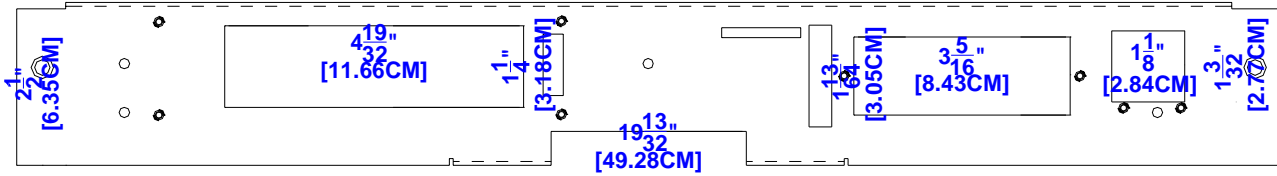
\*Illustrations not to scale.

# ProSlot® 6000

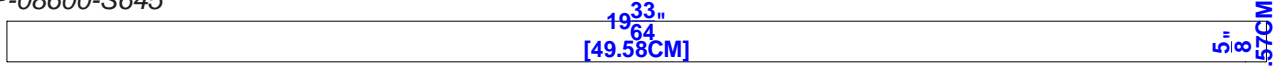
## System Panels P-08600-(SERIES)

Upright

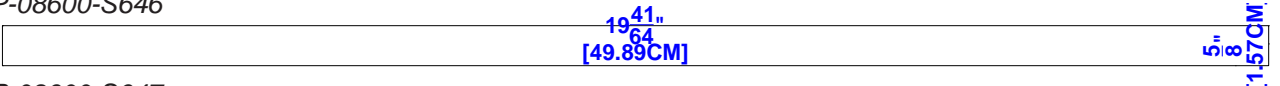
// P-08600-S644



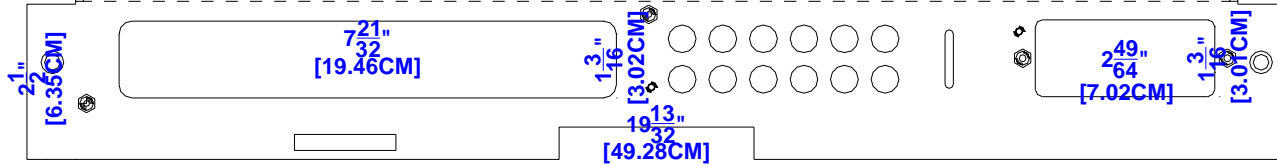
P-08600-S645



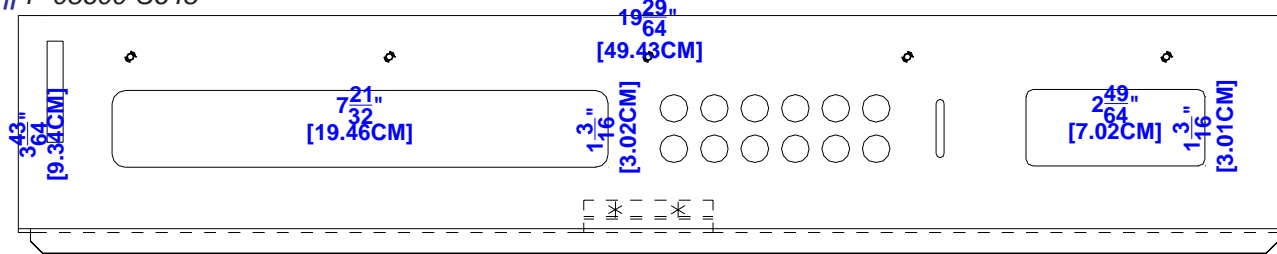
P-08600-S646



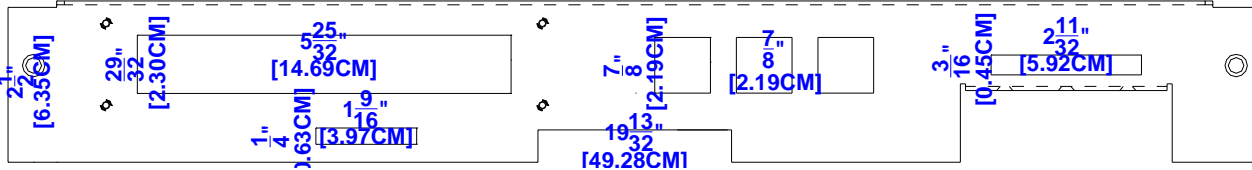
P-08600-S647



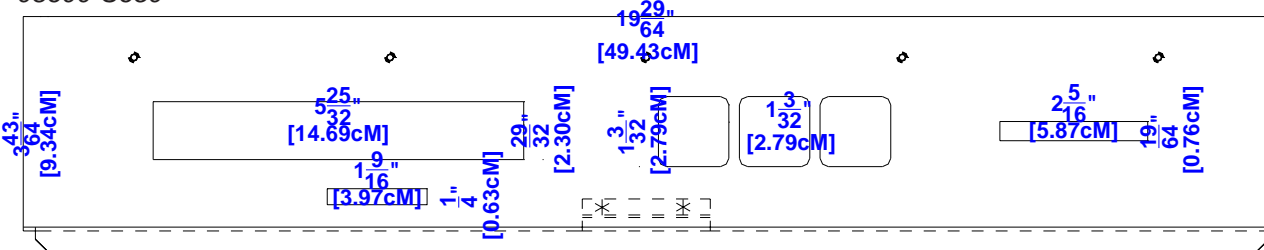
// P-08600-S648



P-08600-S649



P-08600-S650



\*Illustrations not to scale.

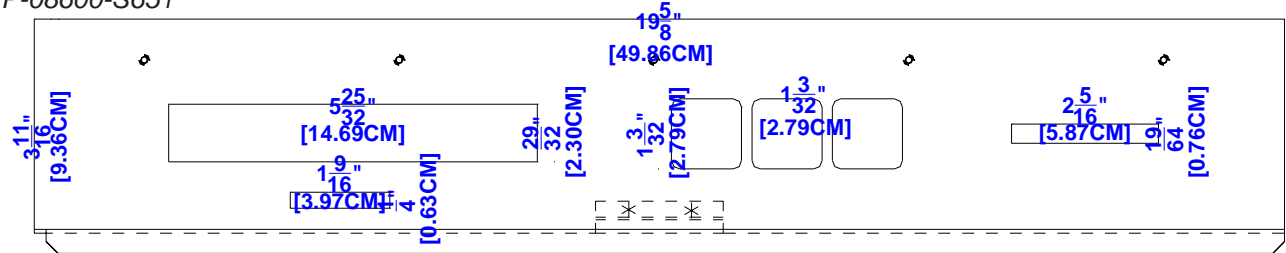
## ProSlot® 6000

### System Panels

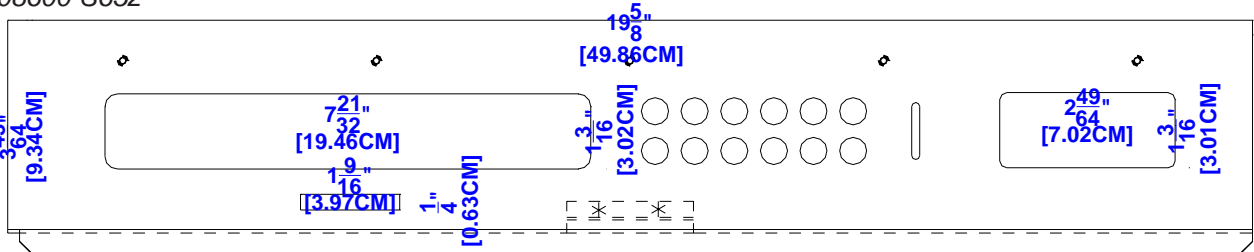
### P-08600-(SERIES)

Upright

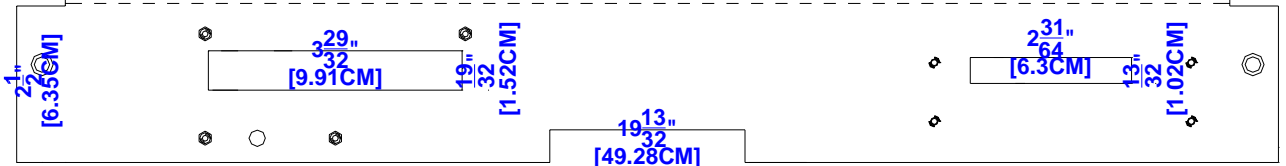
P-08600-S651



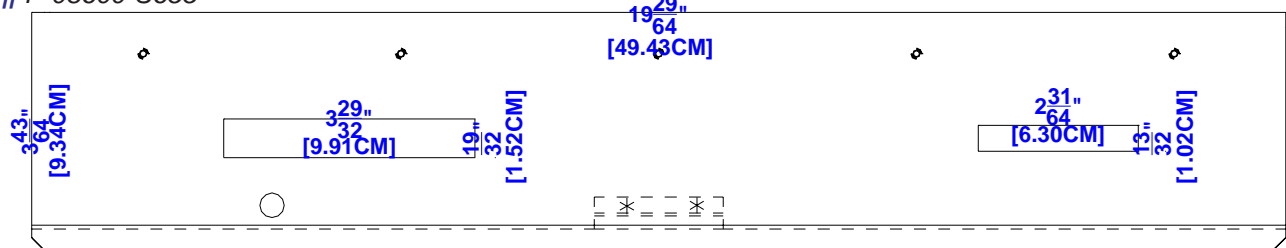
P-08600-S652



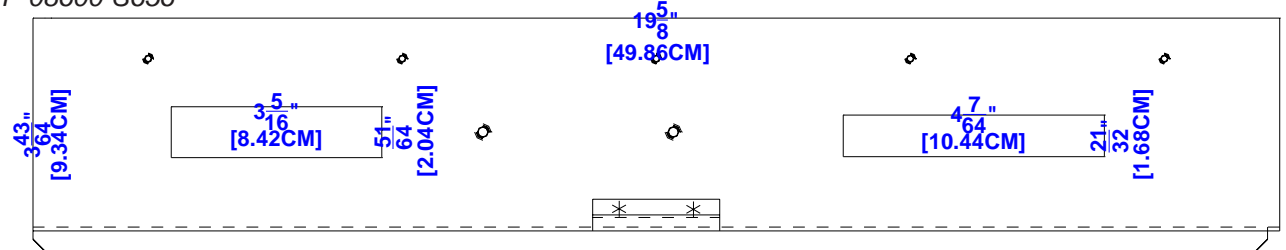
P-08600-S654



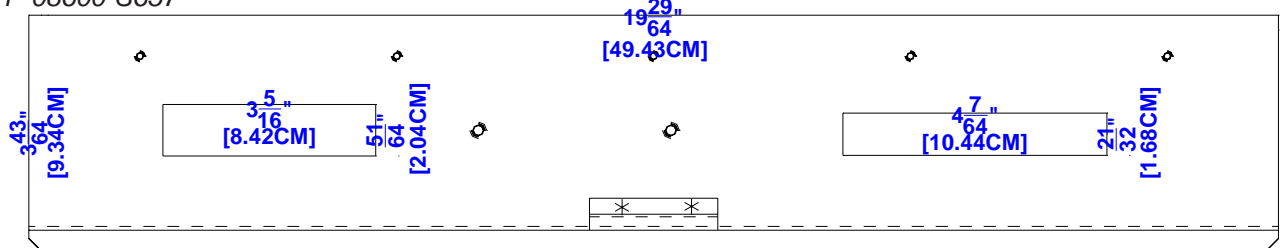
|| P-08600-S655



P-08600-S656



P-08600-S657



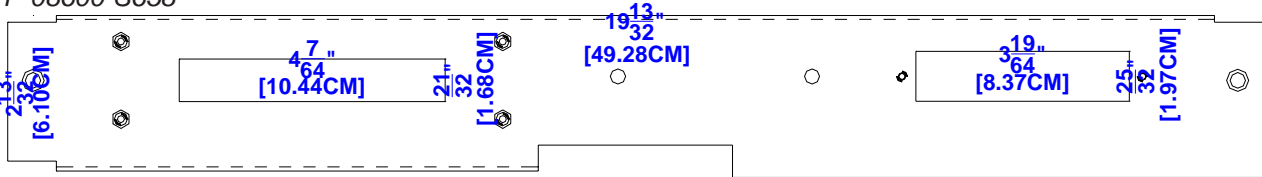
\*Illustrations not to scale.

# ProSlot® 6000

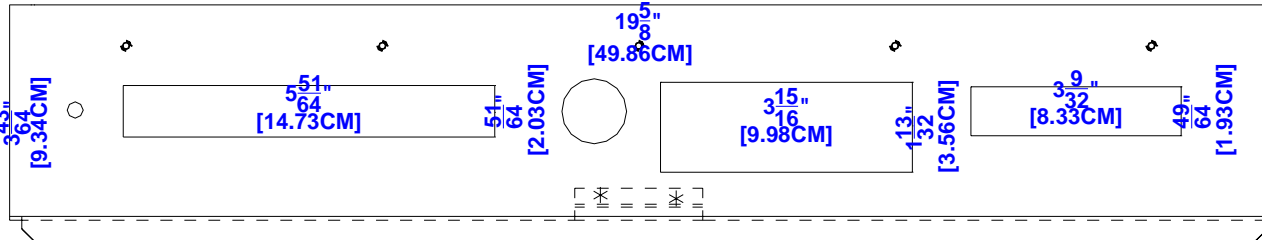
## System Panels P-08600-(SERIES)

☑ Upright

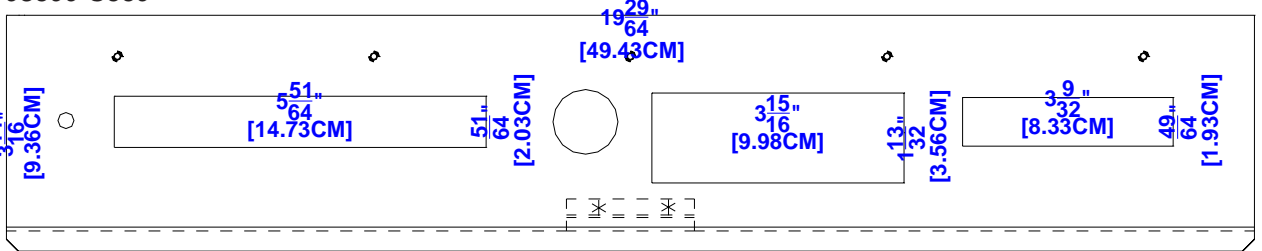
// P-08600-S658



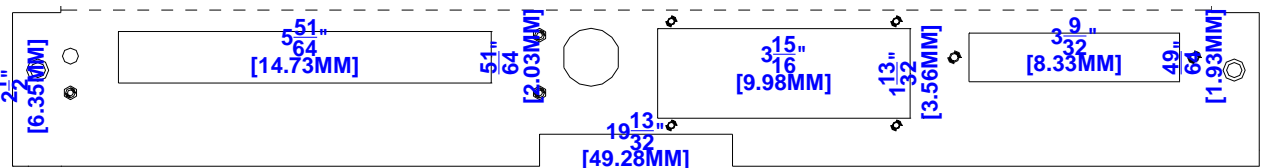
P-08600-S659



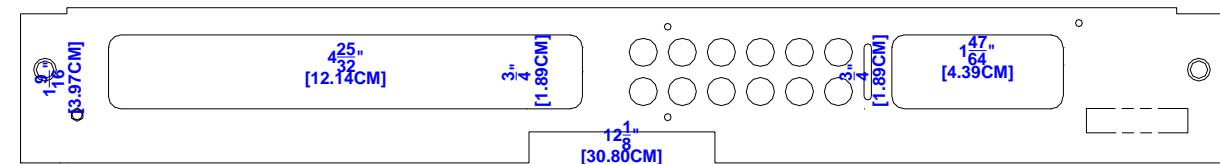
P-08600-S660



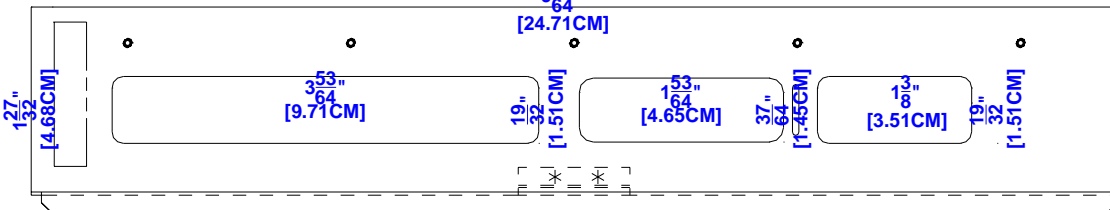
P-08600-S661



// P-08600-S663



// P-08600-S664



\*Illustrations not to scale.

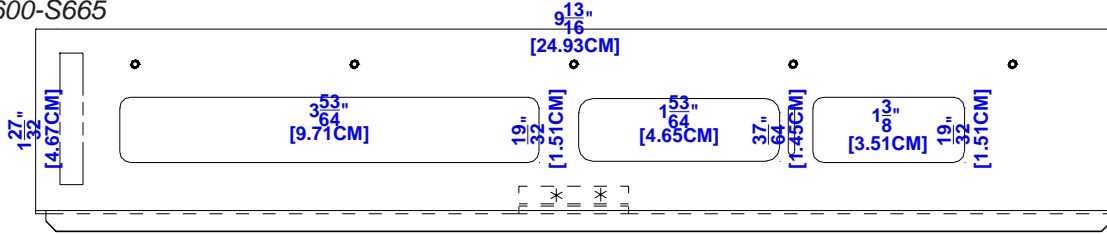
## ProSlot® 6000

### System Panels

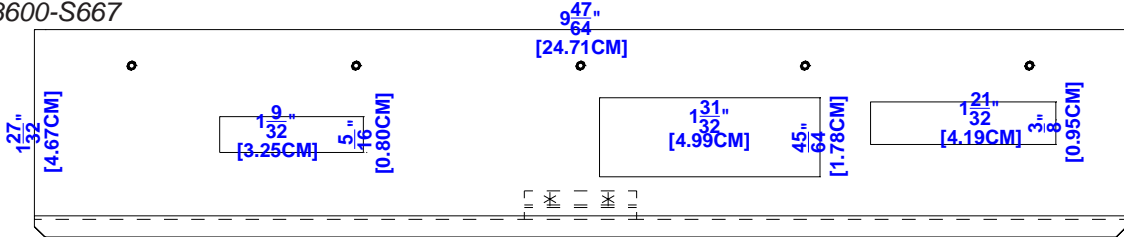
### P-08600-(SERIES)

Upright

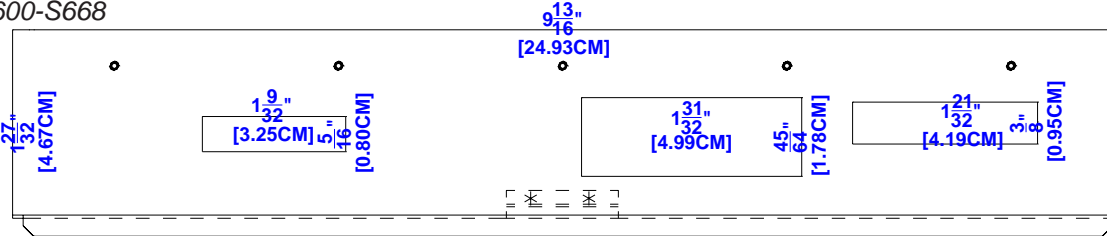
// P-08600-S665



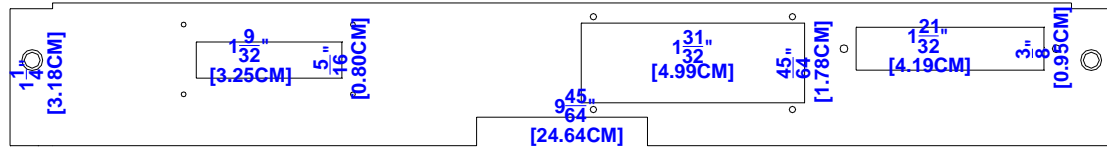
// P-08600-S667



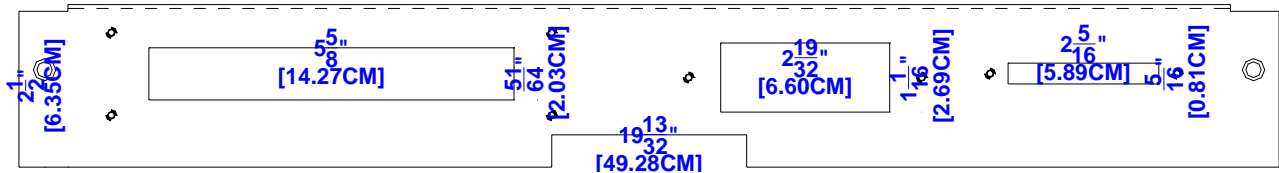
// P-08600-S668



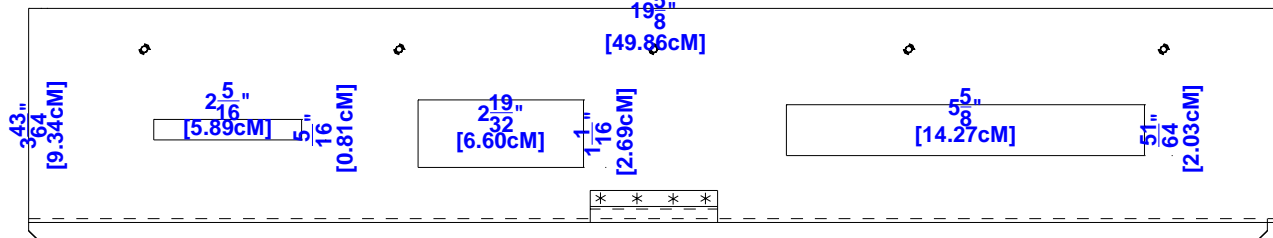
// P-08600-S669



// P-08600-S670



// P-08600-S671



\*Illustrations not to scale.

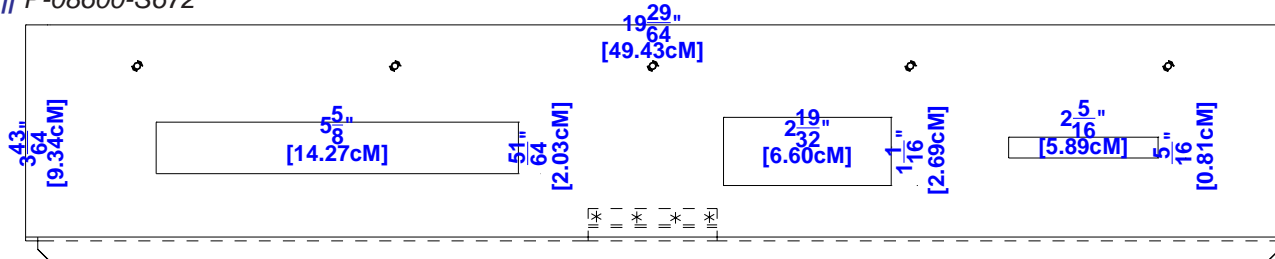
# ProSlot® 6000

## System Panels

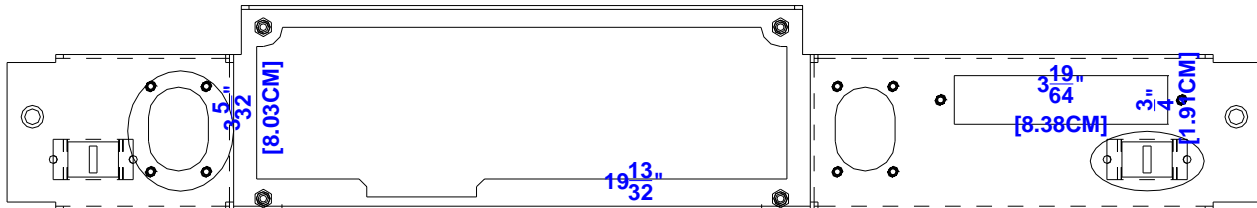
## P-08600-(SERIES)

☑ Upright

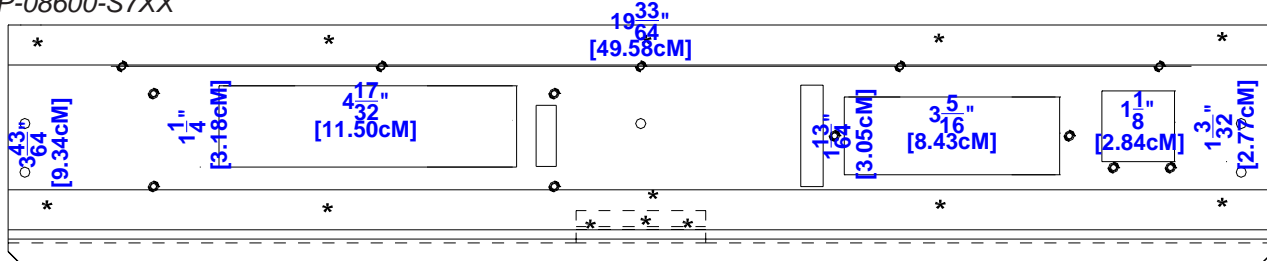
|| P-08600-S672



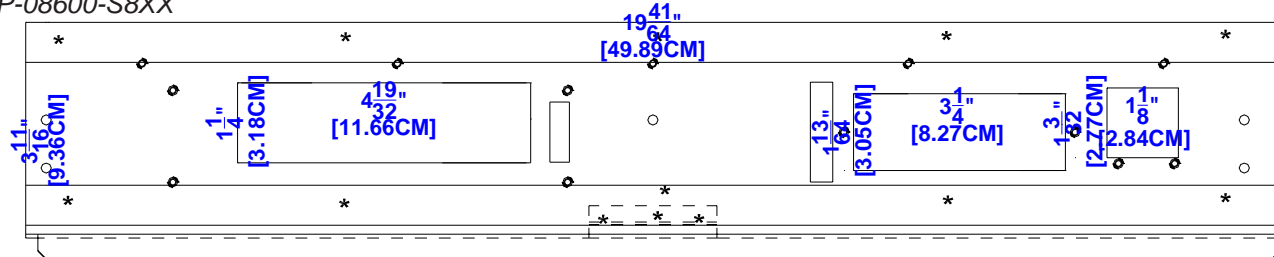
|| P-08600-S676



P-08600-S7XX



P-08600-S8XX



\*Illustrations not to scale.



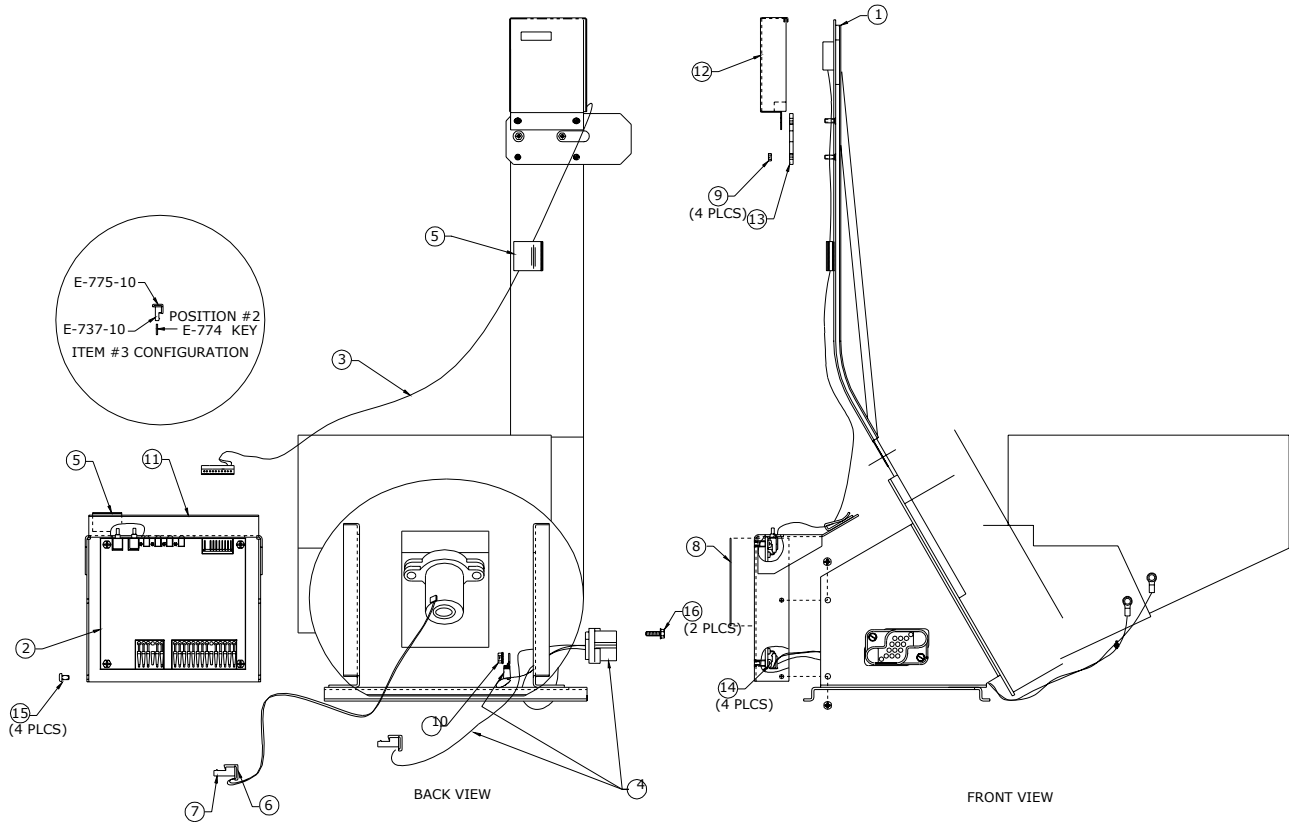
## ProSlant® 6000 / 6000E

### Hopper Escalator, Seiko AS-031XX-(SERIES)

☑ Slant / ☑ S6E

### Hopper Escalator, Seiko AS-03105-(SERIES)

☑ Slant



### Legend

PART #	DENOM	COUNTRY	HOPPER P/N	DIMENSIONS (MM)
AS-03105-0333	25¢	US	AS-03105-0332	.957 X .067
AS-03105-0335	50¢	US	AS-03105-0334	1.205 X .083
AS-03105-0337	\$1 Token		AS-03105-0336	1.465 X .098
AS-03105-0339	US 5¢ / 1 LAT	US	AS-03105-0338	.835 X .075
AS-03105-0341			AS-03105-0340	1.750 X .114
AS-03105-0343	\$25 Token	US	AS-03105-0342	1.874 X .100
AS-03105-0351	1 DM	Germany	AS-03105-0350	.925 X .071
AS-03105-0355	2 FF	France	AS-03105-0354	1.043 X .067
AS-03105-0357	5 FF	France	AS-03105-0356	1.043 X .067
AS-03105-0359	10 FF	France	AS-03105-0358	.902 X .087
AS-03105-0360	\$1 Loonie	Canada	AS-03105-0361	1.043 X .079
AS-03105-0375	10 Rand	South Africa	AS-03105-0374	1.126 X .079
AS-03105-0379	2 DM	Germany	AS-03105-0378	1.055 X .071
AS-03105-0381	20 BF		AS-03105-0380	1.012 X .094
AS-03105-0386	Cas Bled		AS-03105-0385	1.102 X .079
AS-03105-0390	1000 Lira		AS-03105-0389	1.024 X .075
AS-03105-0401	1 Rand	South Africa	AS-03105-0400	.787 X .083
AS-03105-0408	50¢	GDC	AS-03105-0407	1.244 X .079
AS-03105-0411	\$1	Canada	AS-03105-0412	1.343 X .098
AS-03105-0413	25¢	Canada	AS-03105-0414	.933 X .063
AS-03105-0429	10 Token		AS-03105-0428	7.700 X .138
AS-03105-0431	\$5 Token		AS-03105-0430	1.550 X .100
AS-03105-0433	1 DM Token	Germany	AS-03105-0432	.956 X .098
AS-03105-0435	Lit 5000		AS-03105-0434	1.375 X .094
AS-03105-0437	Esc50		AS-03105-0436	.984 X .119
AS-03105-0439	25 Rand Token	South Africa	AS-03105-0438	1.205 X .095
AS-03105-0441	\$25 B Token		AS-03105-0440	1.65 X .095
AS-03105-0449	100 BS Token	Venezuela	AS-03105-0448	1.124 X .065
AS-03105-0551		OLGC	AS-03105-0450	.800 X .072

PART #	DENOM	COUNTRY	HOPPER P/N	DIMENSIONS (MM)
AS-03105-0453	\$1	Australia	AS-03105-0352	.985 X .103
AS-03105-0455	\$2	Australia	AS-03105-0354	.807 X .111
AS-03105-0457	500 CN	Venezuela	AS-03105-0456	1.121 X .084
AS-03105-0459	2 Rand Token	South Africa	AS-03105-0458	.906 X .103
AS-03105-0461	5 Rand Token	South Africa	AS-03105-0460	1.025 X .097
AS-03105-0463	10 Rand Token	South Africa	AS-03105-0462	1.12 X .094
AS-03105-0465	100 BS	Venezuela	AS-03105-0464	.98 X .085
AS-03105-0469	1 Rand Token	Monaco	AS-03105-0468	.944 X .078
AS-03105-0471	50 Centavo Token		AS-03105-0470	1.06 X .068
AS-03105-0473	25 Centavo Token		AS-03105-0472	.966 X .067
AS-03105-0475	25¢	OLGC	AS-03105-0474	.900 X .067
AS-03105-0477	\$1	OLGC	AS-03105-0476	1.125 X .101
AS-03105-0481	\$1	Canada	AS-03105-0480	1.175 X .075
AS-03105-0483		Germany	AS-03105-0482	.911 X .066
AS-03105-0485		Chiapas, Mexico	AS-03105-0484	.802 X .062
AS-03105-0487	Token	Russia	AS-03105-0486	1.064 X .099
AS-03105-0489	50¢	OLGC	AS-03105-0488	1.065 X .06
AS-03105-0493		Lithuania	AS-03105-0492	.957 X .064
AS-03105-0495	20E	Euro	AS-03105-0494	.877 X .084
AS-03105-0497	50E	Euro	AS-03105-0496	.955 X .094
AS-03105-0499	1E	Euro	AS-03105-0498	.916 X .092
AS-03105-0501	2E	Euro	AS-03105-0500	1.015 X .087
AS-03105-0505	.02E	Euro	AS-03105-0504	.739 X .066
AS-03105-0507	.05E	Euro	AS-03105-0506	.837 X .066
AS-03105-0509	10E	Euro	AS-03105-0508	.778 X .076
AS-03105-0511	\$2 Token	Ontario, Canada	AS-03105-0510	1.25 X .101
AS-03105-0513	Token	Latvia	AS-03105-0512	.952 X .068
AS-03105-0515	100 Won	Korea	AS-03105-0514	.94 X .064
AS-03105-0517	\$10 Token		AS-03105-0516	1.706 X .122

# ProSlot® 6000 / 6000E

## Hopper Escalator, Seiko (Cont.) AS-031XX-(SERIES)

☑ Slant / ☑ S6E

REF	PART #	DESCRIPTION	QTY
1	AS-03105-XXXX	Hopper, Seiko (See Legend)	1
2	AS-03356-0338	Controller Board, Dual Optic Hopper	1
3	E-00537-7766	Cable, Coin Switch, Hopper	1
4	CBL-30019-0001	Cable, Seiko Hopper	1
5	E-00718	Cable, Holder, Flat	2
6	E-00749-0006	MTA-156 Ins Disp Standard Cover	1
7	E-00761-0006	MTA -156, Disp Connector 22g	1
8	LBL-00178-0003	Label, Instructions, Hopper	1

## Hopper Escalator, Seiko (Cont.)

### AS-03105-(SERIES)

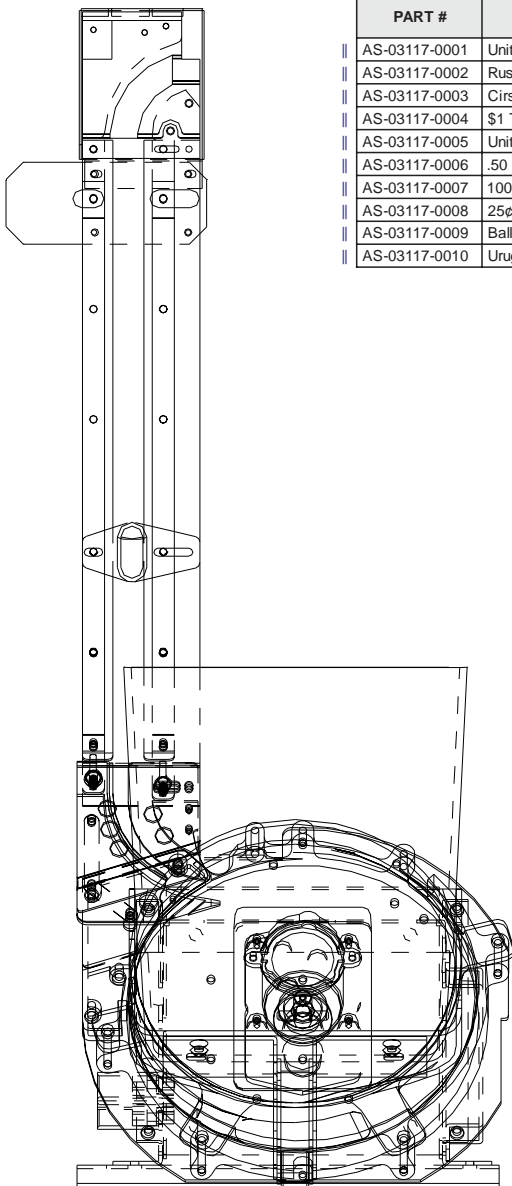
☑ Slant

REF	PART #	DESCRIPTION	QTY
9	M-03064-0002	Nut, Keps Metric M3 X .5 Zinc	4
10	NLS-00832-1112	Nut, 8-32	1
11	P-09319-0360	Bracket, Controller Board Mounting	1
12	P-09319-0191	Cover, Hopper Coin Switch	1
13	P-09322-0058	Plate, Escalator Alignment	1
14	LSPP-M0470-1106	Screw, M4 X 10mm Mach W/Lock Ph Pan Hd	4
15	LSPP-M0470-1104	Screw, M4 X 6mm Mach W/Lock Ph Pan Hd	4
16	TFSS-00832-1108	Screw, 8-32 X 1/2 Thd Form Serrated Hex Hd	2

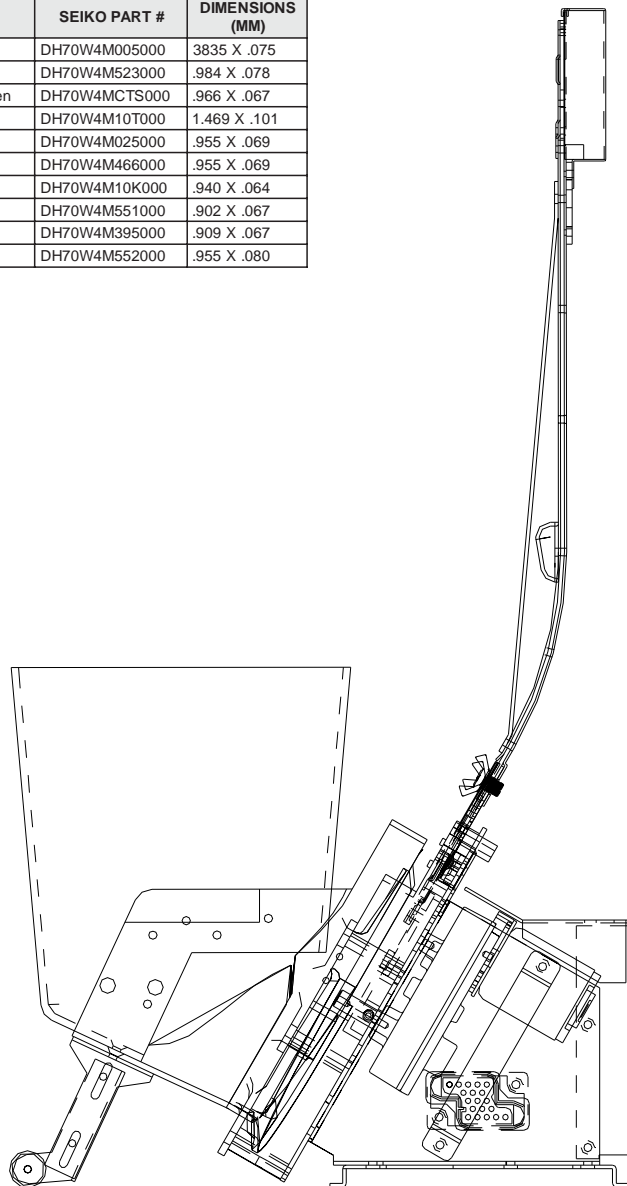
## // Hopper Escalator, Seiko

### AS-03117-(SERIES)

☑ S6E



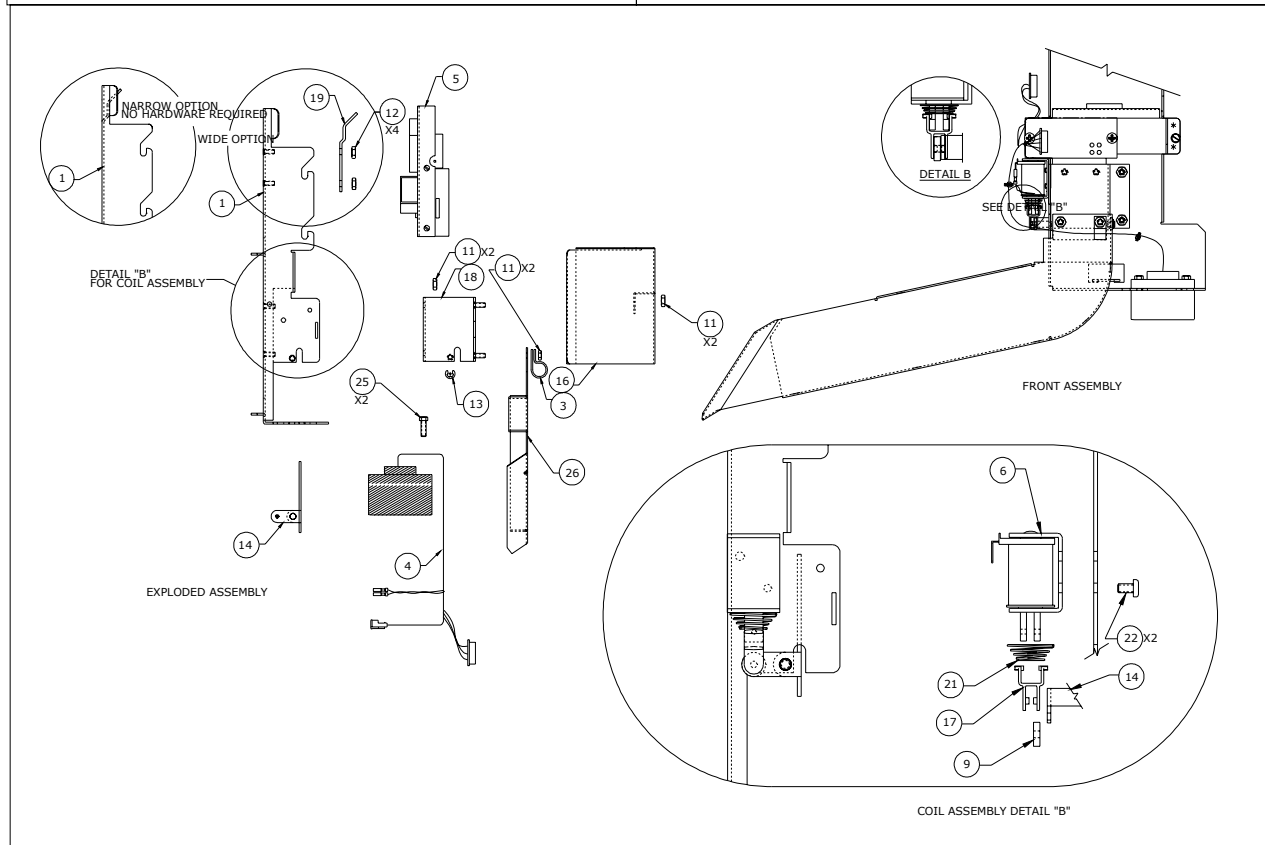
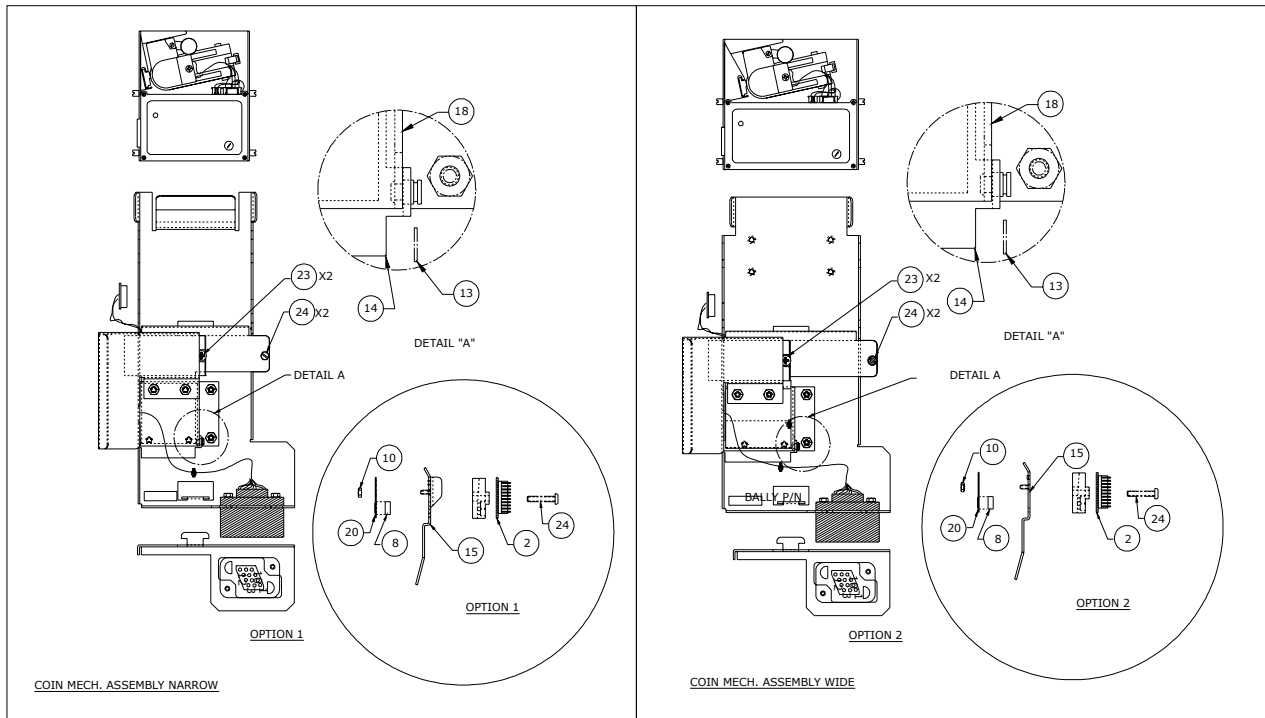
PART #	DENOM	SEIKO PART #	DIMENSIONS (MM)
AS-03117-0001	United States 5¢	DH70W4M005000	3835 X .075
AS-03117-0002	Russian 5 Ruble	DH70W4M523000	.984 X .078
AS-03117-0003	Cirsa 25 Centavo Token	DH70W4MCTS000	.966 X .067
AS-03117-0004	\$1 Token	DH70W4M10T000	1.469 X .101
AS-03117-0005	United States 25¢	DH70W4M025000	.955 X .069
AS-03117-0006	.50 Euro	DH70W4M466000	.955 X .069
AS-03117-0007	100 Won (Korean)	DH70W4M10K000	.940 X .064
AS-03117-0008	25¢ OLGK Token	DH70W4M551000	.902 X .067
AS-03117-0009	Bally Germany Token	DH70W4M395000	.909 X .067
AS-03117-0010	Uruguay Token	DH70W4M552000	.955 X .080



## ProSlot® 6000 / 6000E

### Coin Acceptor Assembly AS-05035-(SERIES)

☑ Slant





## ProSlant® 6000 / 6000E

### Coin Acceptor Assembly (Cont.) AS-05035-(SERIES)

Slant

REF	PART #	DESCRIPTION	QTY
1	SEE LEGEND	Assembly, Coin Acceptor Bracket	1
2	AS-03356-0303	Assembly, Coin Optic Decoder Board	1
3	C-00271-0004	Clip, 1/40 X 3/8 X 11/64	1
4	SEE LEGEND	Cable, Coin I/O	1
5	SEE LEGEND	Coin Acceptor	1
6	E-00947-0018	Diverter Coin	1
8	M-01755-0942	Coin Optic Prism	1
9	S-00231-1031	Spacer	1
10	NLS-00440-1112	Nut, 4-40 Keps	1
11	NLS-00632-1112	Nut, 6-32 Keps	6
13	P-02891-0005	Retaining Ring, .219 Shaft X .025 Thick	1
14	SEE LEGEND	Coin Acceptor Diverter	1
15	SEE LEGEND	Bracket, Opto Block Mounting	1

REF	PART #	DESCRIPTION	QTY
16	P-09319-0170	Cover, Opto Board	1
17	M-03104-0001	Diverter Link	1
18	SEE LEGEND	Diverter Side Plate	1
19	SEE LEGEND	Acceptor Alignment Plate	1
20	P-09322-048A	Bracket, Prism Mounting Light Panel	1
21	SP-00200-0246	Compression Spring	1
22	TFPP-00632-1103	Screw, 6-32 X 3/16 Thd Form Phil Pan Hd	2
23	TFSC-00832-1114	Screw, 8-32 X 7/8 Thd Form Slotted Hex Hd	2
24	TFSS-00832-1104	Screw, 8-32 X 1/4 Slotted Serrated Hex	1
25	TFSS-00832-1108	Screw, 8-32 X 1/2 Slotted Serrated Hex	2
26	A-04380-0011	Hopper Drop Chute	1
27	SEE LEGEND	IC, PIC 16c54xt/P, 18-Pin, Std	1

#### Legend

PART #	DESCRIPTION	ITEM 1	ITEM 4	ITEM 14	ITEM 15	ITEM 18	ITEM 19	ITEM 27
AS-05035-0020	Coin Acceptor, Narrow (0.7-1.5)	A-04361-0078	CBL-30472-0001	P-09319-0125	P-09319-0458	P-09322-0209	--	E-00620-0670
AS-05035-0021	Coin Acceptor, Wide (1.5-2.0)	A-04361-0018	CBL-30472-0001	P-09319-0196	P-09319-0457	P-09322-0210	P-09322-0107	E-00620-0670
AS-05035-0023	Coin Acceptor, Narrow (0.7-1.5)	A-04361-0078	CBL-30472-0001	P-09319-0125	P-09319-0458	P-09322-0209	--	E-00620-0670
AS-05035-0024	Coin Acceptor, Wide (1.5-2.0)	A-04361-0018	CBL-30472-0001	P-09319-0196	P-09319-0457	P-09322-0210	P-09322-0107	E-00620-0670
AS-05035-0025	Coin Acceptor, With Printer, Narrow (0.7-1.5)	A-04361-0078	CBL-30472-0001	P-09319-0125	P-09319-0458	P-09322-0209	--	E-00620-0670
AS-05035-0026	Coin Acceptor, With Printer, Wide (1.5-2.0)	A-04361-0018	CBL-30472-0001	P-09319-0196	P-09319-0457	P-09322-0210	P-09322-0107	E-00620-0670
AS-05035-0027	Coin Acceptor, Condor, Narrow (0.7-1.5)	A-04361-0073	CBL-20211-0001	P-09319-0125	P-09319-0439	P-09322-0209	--	E-00620-0670
AS-05035-0028	Coin Acceptor, IDX X10	A-04361-0077	CBL-20211-0001	P-09319-0196	P-09319-0505	P-09322-0210	--	E-00620-0670
AS-05035-0029	Coin Acceptor, IDX X70	A-04361-0077	CBL-20211-0001	P-09319-0196	P-09319-0505	P-09322-0210	--	E-00620-0670
AS-05035-0040	Coin Acceptor, MC-16, Narrow (0.7-1.5)	A-04361-0078	CBL-20307-0001	P-09319-0125	P-09319-0439	P-09322-0209	--	--
AS-05035-0042	Coin Acceptor, MC-16, Wide (1.5-2.5)	A-04361-0018	CBL-20307-0001	P-09319-0196	P-09319-0457	P-09322-0210	--	--

### Coin Acceptor Assembly AS-05189-(SERIES)

S6E

Coin Acceptor, Narrow (0.7 - 1.5)  
A-05189-0001

S6E

REF	PART #	DESCRIPTION	QTY
1	A-04380-0011	Assembly, Hopper Chute	1
2	A-04380-0034	Assembly, Coin Acceptor Bracket, Narrow	1
3	AS-03356-0303	Assembly, Coin Optic Decoder 2 Board	1
4	CBL-30472-0001	Cable, Coin I/O	1
5	E-00620-0670	IC, PIC16C54XT/P, 18-Pin, Standard	1
6	E-00947-0018	Coil, Diverter	1
7	M-01755-0942	Prism, Coin Optic	1
8	M-03104-0001	Link, Plastic, Coin Diverter	1
9	NLS-00440-1112	Nut	1
10	NLS-00632-1112	Nut	6
11	P-02891-0005	Retaining Ring, .219 Shaft x .025 T	1
12	P-06004-0054	Cover, Optic Board	1
13	P-09319-0125	Diverter, Coin Acceptor	1
14	P-09319-0458	Bracket, Opto Block, Narrow	1
15	P-09322-0209	Side Plate, Diverter, Narrow	1
16	P-09322-048A	Bracket, Prism Mounting Light Panel	1
17	S-00231-1031	Spacer, Plastic, Diverter Link	1
18	SP-00200-0246	Spring, Compression	1
19	TFPP-00632-1103	Screw	1
20	TFSC-00832-1106	Screw	2
21	TFSS-00832-1104	Screw	1
22	TFSS-00832-1108	Screw	2

Coin Acceptor, IDX (0.7 - 1.5)  
A-05189-0002

S6E

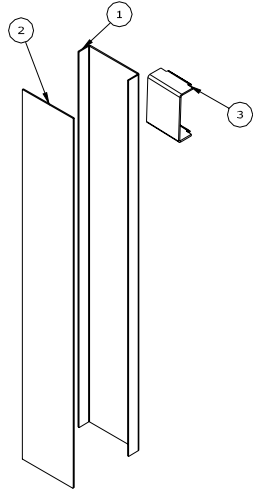
REF	PART #	DESCRIPTION	QTY
1	A-04380-0011	Assembly, Hopper Chute	1
2	A-04380-0036	Assembly, Coin Acceptor Bracket, IDX	1
3	AS-03356-0303	Assembly, Coin Optic Decoder 2 Board	1
4	CBL-30472-0001	Cable, Coin I/O	1
5	E-00620-0670	IC, PIC16C54XT/P, 18-Pin, Standard	1
6	E-00947-0018	Coil, Diverter	1
7	M-01755-0942	Prism, Coin Optic	1
8	M-03104-0001	Link, Plastic, Coin Diverter	1
9	NLS-00440-1112	Nut	1
10	NLS-00632-1112	Nut	6
11	P-02891-0005	Retaining Ring, .219 Shaft x .025 T	1
12	P-06004-0054	Cover, Optic Board	1
13	P-09319-0125	Diverter, Coin Acceptor	1
14	P-09319-0439	Bracket, Opto Block Mounting, Condor	1
15	P-09319-0785	Guide, Coin, 0.7 - 1.5, IDX	4
16	P-09322-0209	Side Plate, Diverter, Narrow	1
17	P-09322-048A	Bracket, Prism Mounting Light Panel	1
18	S-00231-1031	Spacer, Plastic, Diverter Link	1
19	SP-00200-0246	Spring, Compression	1
20	TFPP-00632-1103	Screw	1
21	TFSC-00832-1116	Screw	2
22	TFSS-00832-1104	Screw	1
23	TFSS-00832-1108	Screw	2

## ProSlant® 6000 / 6000E

### Drop Chute

☑ Slant / ☑ S6E

### A-04380-(SERIES)



#### Drop Chute

A-04380-0014

☑ Slant

REF	PART #	DESCRIPTION	QTY
1	A-04380-0014-1	18 GA (.048) CRS	1
2	A-04380-0014-2	18 GA (.048) CRS	1
3	A-04380-0014-3	16 GA (.059) CRS	1

#### // Drop Chute

A-04380-0033

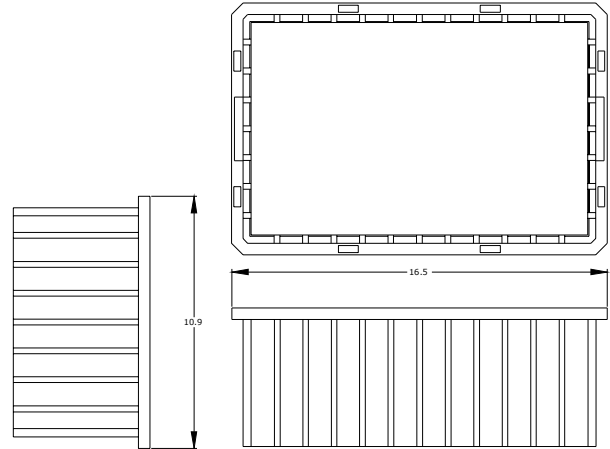
☑ S6E

REF	P/N	DESCRIPTION	QTY
1	A-04380-0033-1	Chute, Coin Drop	1
2	A-04380-0033-2	Cover, Drop Chute	1
3	A-04380-0033-3	Chute Mounting Bracket	1

### Coin Bucket NDC2060

M-03107-0001

☑ Slant / ☑ S6E



### Bill Acceptor Housing/Frame

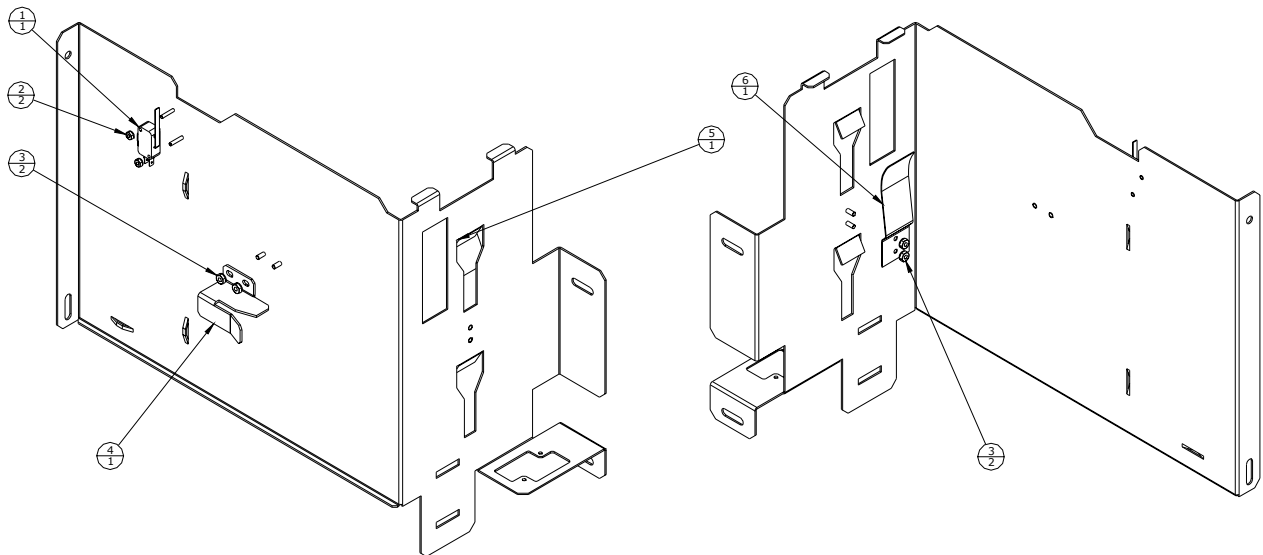
### AS-06603-(SERIES)

☑ Slant / ☑ S6E

Frame Assembly, No Bill Acceptor

AS-06603-0007

☑ Slant



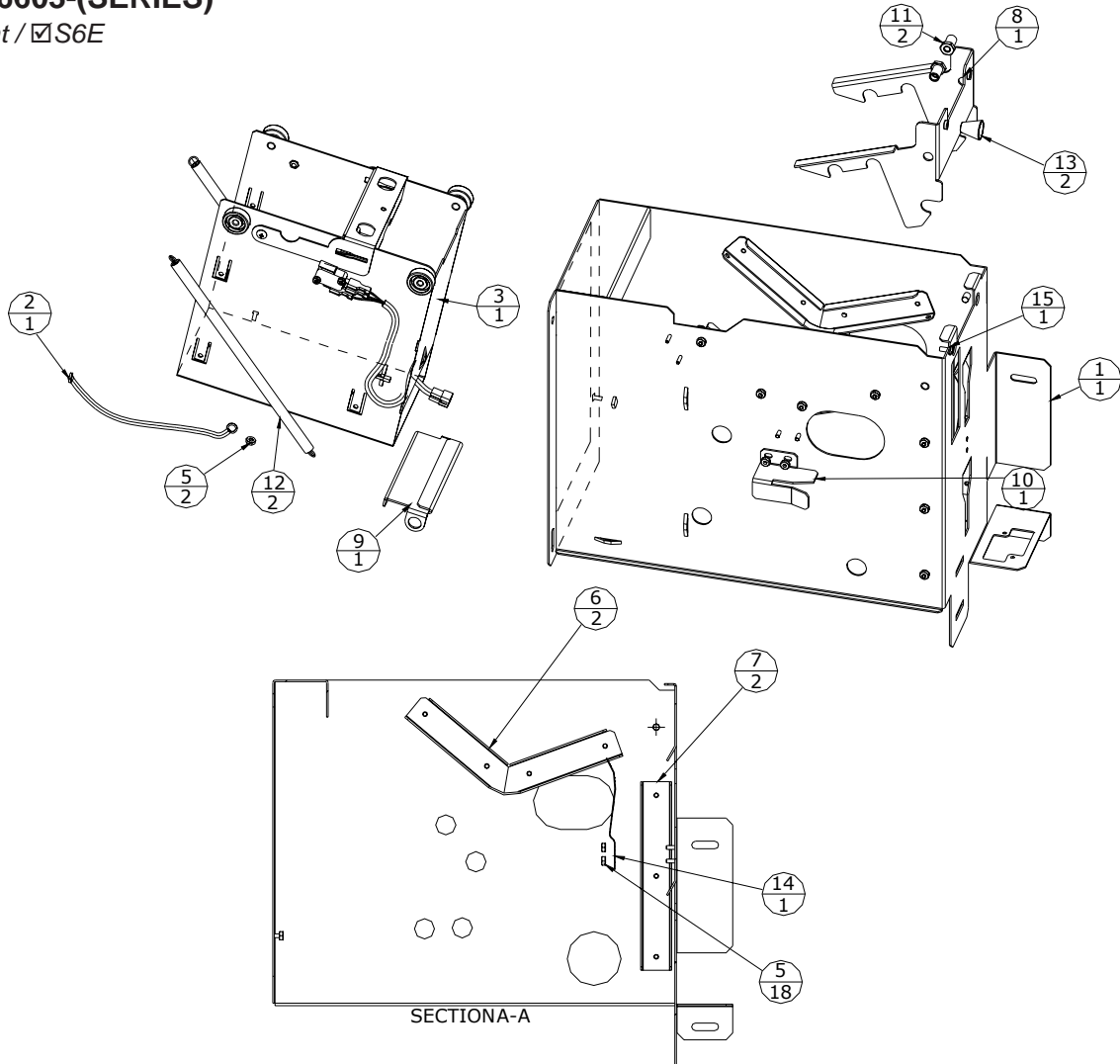
REF	PART #	DESCRIPTION	QTY
1	E-00108-0376	Switch, SPDT	1
2	NLS-00440-1112	Hex Nut	2
3	NLS-00632-1112	Hex Nut	4
4	P-06004-0059	Bracket, Hopper Alignment	1
5	P-06004-0098	Bracket, Mounting, Coin Assembly	1
6	SP-00400-0001	Spring, Comparator Bias	1

# ProSlot® 6000 / 6000E

## Bill Acceptor Housing/Frame (Cont.) AS-06603-(SERIES)

☑Slant / ☑S6E

Bill Acceptor Housing/Frame, JCM/MARS/ARDAC  
AS-06603-000X ☑Slant



REF	PART #	DESCRIPTION	QTY	PART #
1	A-06511-0003	Frame, Bill Acceptor, JCM/Mars/Ardac	1	0001
				0009
2	AS-03106-0006-S6	Assembly, Ground Strap	1	0001
				0009
3	AS-06603-0002	Assembly, Housing, Bill Acceptor, JCM/Mars/Ardac	1	0001
	AS-06603-0008	Assembly, Housing, Bill Acceptor, JCM/Mars/Ardac, With Mikohn Switch		0009
4	M-01777-5735	Loctite, #242, Blue	A/R	0001
				0009
5	NLS-00440-1112	Hex Nut	2	0009
	NLS-00632-1112	Hex Nut		0001
6	P-06004-0049	Channel, Guide, Upper Roller	2	0001
				0009
7	P-06004-0050	Channel, Guide, Lower Roller	2	0001
				0009

REF	PART #	DESCRIPTION	QTY	PART #
8	P-06004-0051	Latch, Bill Acceptor, JCM/Mars/Ardac	1	0001
				0009
9	P-06004-0052	Bracket, Spring Anchor, Bill Acceptor	1	0001
				0009
10	P-06004-0059	Bracket, Hopper Alignment	1	0001
				0009
11	S-00231-1039	Bushing, Release Lever	2	0001
				0009
12	SP-00100-0415	Bill Acceptor Spring	2	0001
				0009
13	SP-00200-0252	Spring, Compression, Bill Acceptor Latch	2	0001
				0009
14	SP-00400-0001	Spring, Comparator Bias	1	0001
				0009
15	TFPP-00832-1106	Screw, 8-32 X 3/8 Thd Form Phil Pan Hd	1	0001
				0009
16	E-00108-0376	Switch, Spdt (Not Shown)	1	0009
				0009

**AVAILABILITY:**

PART #	DESCRIPTION
AS-06603-0001	Bill Acceptor Housing/Frame, JCM/Mars/Ardac
AS-06603-0009	Bill Acceptor Housing/Frame, JCM/Mars/Ardac (OLGC)

## ProSlant® 6000 / 6000E

### Bill Acceptor Housing/Frame (Cont.) AS-06603-(SERIES)

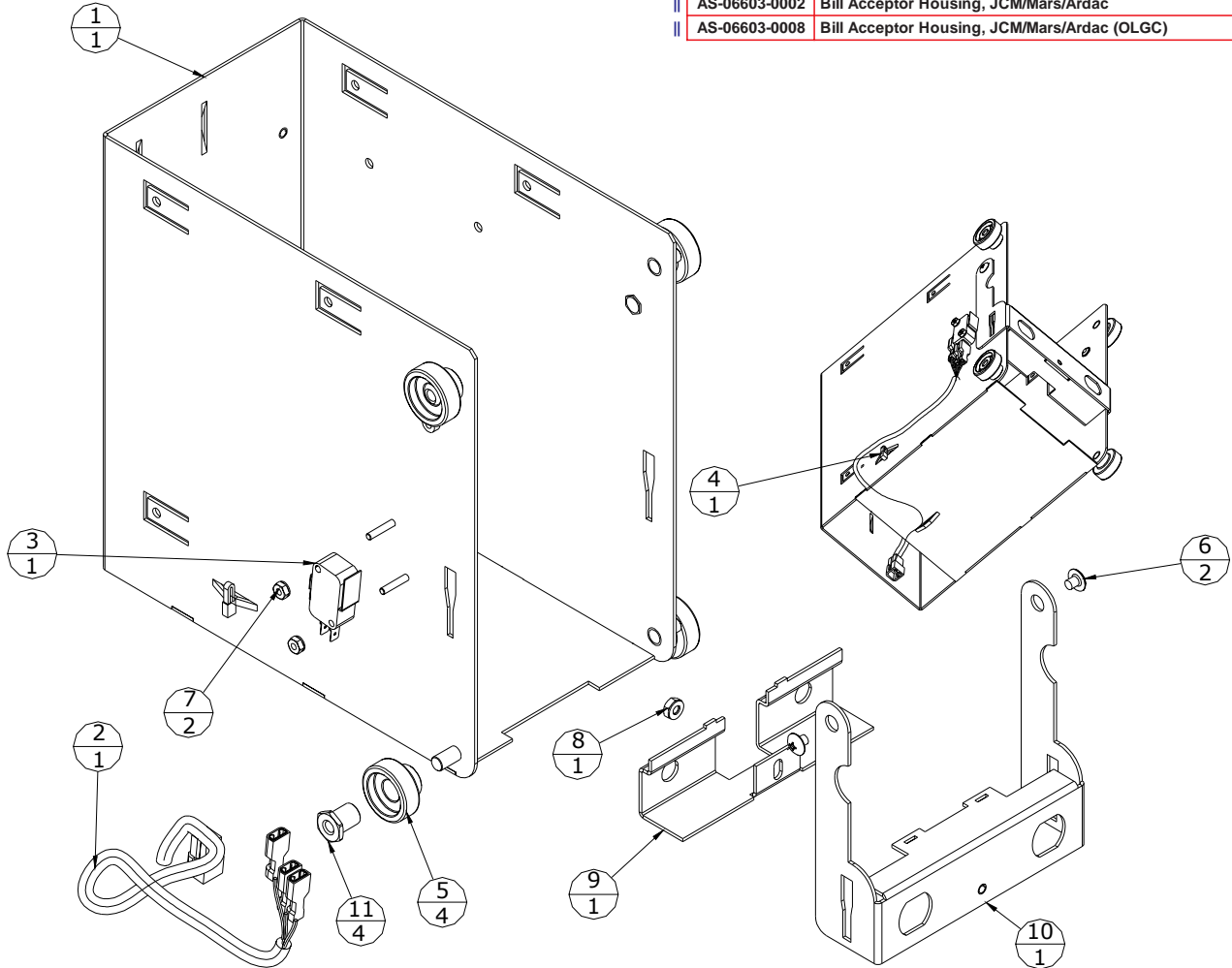
☑Slant / ☑S6E

Bill Acceptor Housing, JCM/MARS/ARDAC  
AS-06603-000X

☑Slant

AVAILABILITY:

PART #	DESCRIPTION
AS-06603-0002	Bill Acceptor Housing, JCM/Mars/Ardac
AS-06603-0008	Bill Acceptor Housing, JCM/Mars/Ardac (OLGC)



REF	PART #	DESCRIPTION	QTY	PART #
1	A-06511-0007	Housing, Bill Acceptor, JCM/Mars/Ardac, With Mikohn Switch	1	0002 0008
2	CBL-30244-0001	Cable, Bill Acceptor Door Switch	1	0002 0008
3	E-00108-0399	Switch, Bill Acceptor Door	1	0002 0008
	E-00108-0385	Switch, Door Push	1	0008
4	E-00647-0004	Tie Wrap	1	0002 0008
				0002 0008
5	M-03009-0002	Roller, Bill Acceptor	4	0002 0008
				0002 0008
6	MSPT-00832-1103	Screw, 8-32 X 3/16 Mach Phil Truss Hd	2	0002 0008
				0002 0008

REF	PART #	DESCRIPTION	QTY	PART #
7	NLS-00440-1112	Hex Nut	2	0002 0008
				0002 0008
8	NLS-00632-1112	Hex Nut	1	0002 0008
				0002 0008
9	P-06004-0102	Cover, Locking Bar, Bill Acceptor	1	0002 0008
				0002 0008
10	P-06004-0103	Locking Bar, Bill Acceptor	1	0002 0008
				0002 0008
11	S-00231-1040	Bushing, Roller	4	0002 0008
				0002 0008



# ProSlant® 6000 / 6000E

## Bill Acceptor Housing/Frame (Cont.) AS-06603-(SERIES)

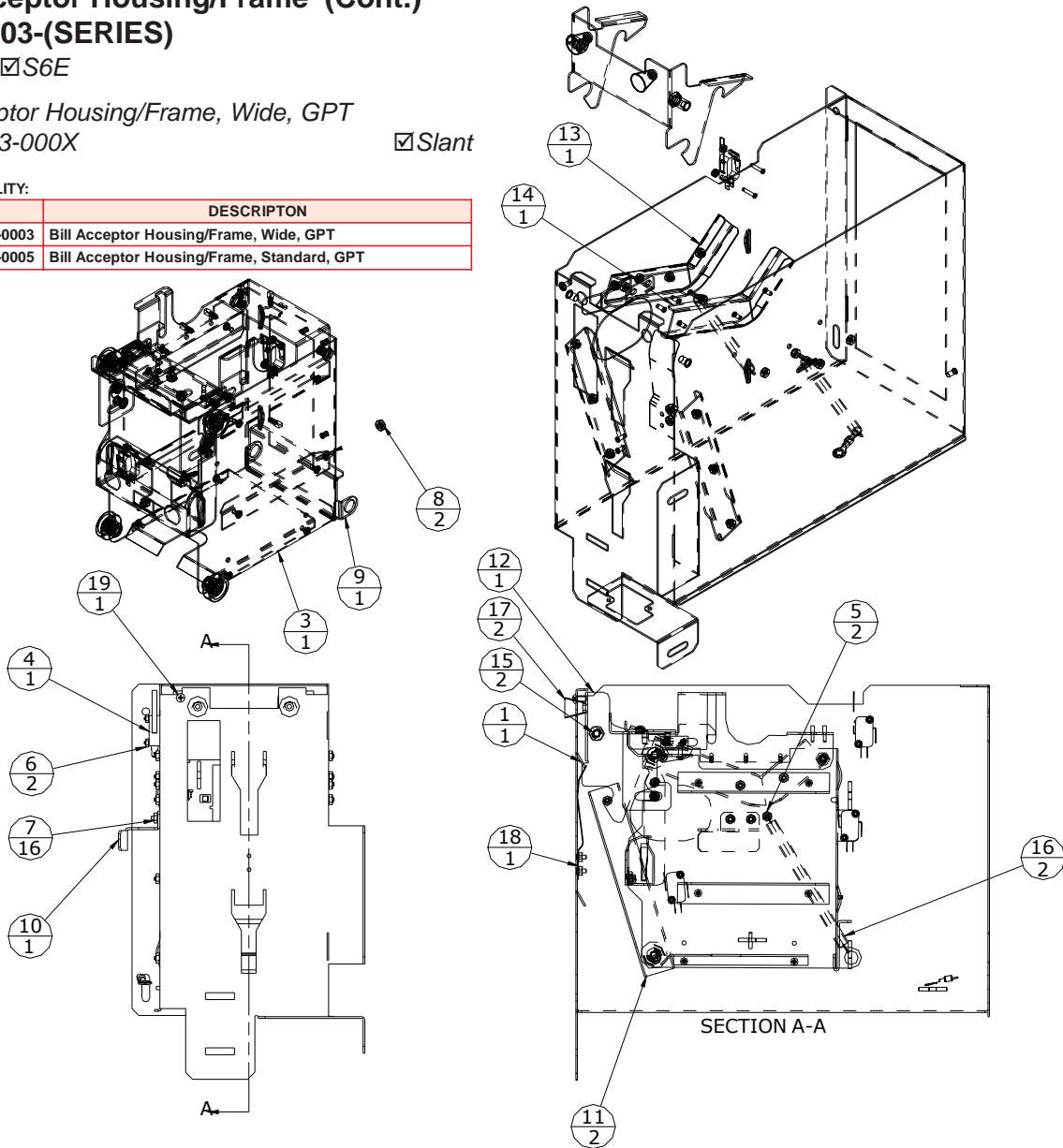
☑ Slant / ☑ S6E

Bill Acceptor Housing/Frame, Wide, GPT  
AS-06603-000X

☑ Slant

AVAILABILITY:

P/N	DESCRIPTION
AS-06603-0003	Bill Acceptor Housing/Frame, Wide, GPT
AS-06603-0005	Bill Acceptor Housing/Frame, Standard, GPT



REF	PART #	DESCRIPTION	QTY	PART #
1	A-06511-0004	Assembly, Frame, GPT Bill Acceptor	1	0003
				0005
2	AS-03106-0008	Ground Strap, 8.5-Inch Length	1	0003
				0005
3	AS-06603-0004	Assembly, Housing, Bill Acceptor, GPT, Wide	1	0003
	AS-06603-0006	Assembly, Housing, Bill Acceptor, GPT, Standard	1	0005
4	E-00108-0376	Switch, SPDT	1	0003
				0005
5	M-00319-0006	Elastic, Stop Nut (ESNA)	2	0003
				0005
6	NLS-00440-1112	Hex Nut	2	0003
				0005
7	NLS-00632-1112	Hex Nut	16	0003
				0005
8	NLS-00832-1112	Hex Nut	2	0003
				0005
9	P-06004-0052	Bracket, Spring Anchor, Bill Acceptor	1	0003
				0005
10	P-06004-0059	Bracket, Hopper Alignment, Bill Acceptor	1	0003
				0005

REF	PART #	DESCRIPTION	QTY	PART #
11	P-06004-0086	Channel, Guide, Lower Roller, GPT	2	0003
				0005
12	P-06004-0087	Latch, Bill Acceptor, GPT	1	0003
				0005
13	P-06004-0104	Channel, Guide, Left, Upper Roller	1	0003
				0005
14	P-06004-0105	Channel, Guide, Right, Upper Roller	1	0003
				0005
15	S-00231-1039	Bushing, Release Lever	2	0003
				0005
16	SP-00100-0418	Bill Acceptor Spring, GPT	2	0003
				0005
17	SP-00200-0252	Spring, Compression, Bill Acceptor Latch	2	0003
				0005
18	SP-00400-0001	Spring, Comparator Bias	1	0003
				0005
19	TFPP-00832-1106	Screw, 8-32 X 3/8 Thd Form Phil Pan Hd	1	0003
				0005



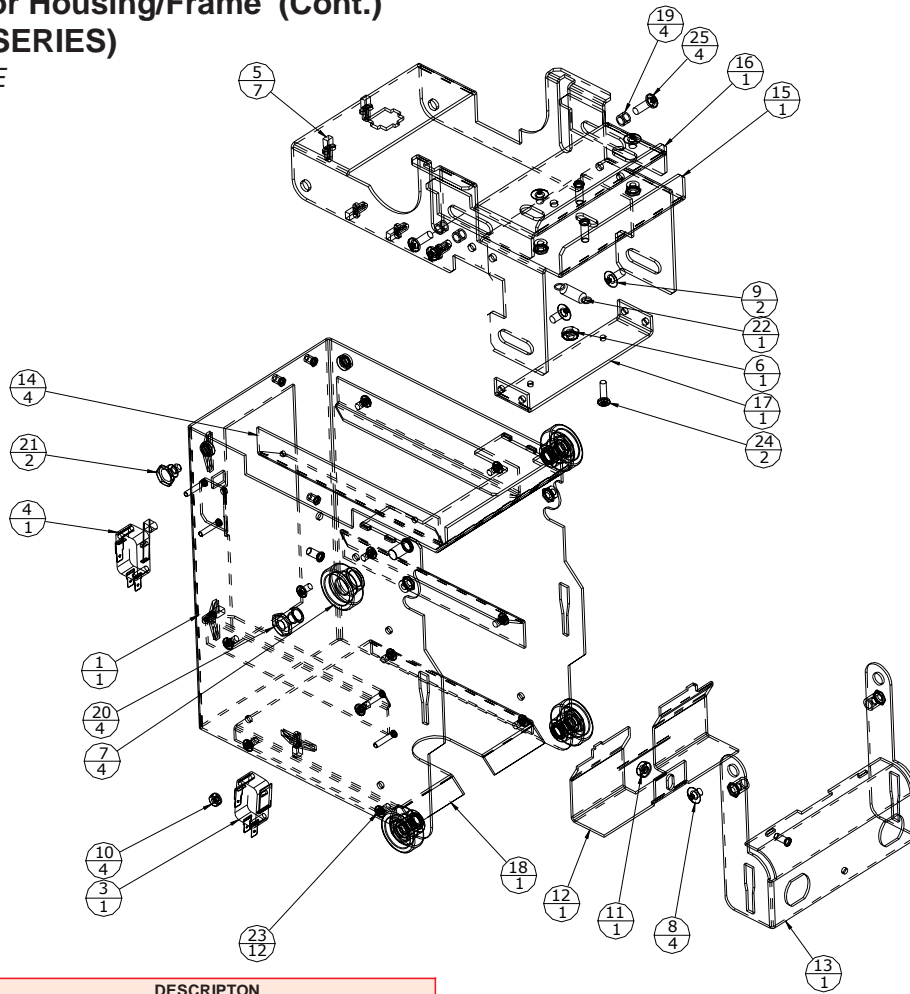
## ProSlant® 6000 / 6000E

Bill Acceptor Housing, Wide, GPT  
AS-06603-000X

Slant

### Bill Acceptor Housing/Frame (Cont.) AS-06603-(SERIES)

Slant /  S6E



**AVAILABILITY:**

PART #	DESCRIPTION
AS-06603-0004	Bill Acceptor Housing, Wide, GPT
AS-06603-0006	Bill Acceptor Housing, Standard, GPT

REF	PART #	DESCRIPTION	QTY	PART #
1	A-06511-0005	Housing, Bill Acceptor, GPT	1	0004 0006
2	CBL-20188-0001	Cable, GPT Bill Acceptor	1	0004 0006
3	E-00108-0399	Switch, Bill Acceptor Door	1	0004 0006
4	E-00108-367A	Switch, Snap Action, E21-50k	1	0004 0006
5	E-00647-0004	Tie Wrap	7	0004 0006
6	M-00319-0002	Elastic, Stop Nut (ESNA)	1	0004 0006
7	M-03009-0002	Roller, Bill Acceptor	4	0004 0006
8	MSPT-00832-1103	Screw, 8-32 X 3/16 Mach Phil Truss Hd	4	0004 0006
9	MSPT-00832-1106	Screw, 8-32 X 3/8 Mach Phil Truss Hd	2	0004 0006
10	NLS-00440-1112	Hex Nut	4	0004 0006
11	NLS-00632-1112	Hex Nut	1	0004 0006
12	P-06004-0063	Cover, Locking Bar, Bill Acceptor	1	0004 0006
13	P-06004-0088	Locking Bar, GPT, Bill Acceptor	1	0004 0006

REF	PART #	DESCRIPTION	QTY	PART #
14	P-06004-0089	Guide, Cash Box, GPT, Wide	4	0004
	P-06004-0090	Guide, Cash Box, GPT, Std	4	0006
15	P-06004-0091	Bracket, Head Mounting, GPT	1	0004 0006
16	P-06004-0092	Bracket, Latch, Head, GPT	1	0004 0006
17	P-06004-0093	Bracket, Connector Mounting, GPT	1	0004 0006
18	P-06004-0094	Floor, Bill Acceptor Housing, GPT	1	0004 0006
19	S-00231-1012	Bushing, Ratchet Pawl, Deck Latch	4	0004 0006
20	S-00231-1040	Bushing, Roller	4	0004 0006
21	S-00231-1044	Bolt, Shoulder, CBV Head Bracket	2	0004 0006
22	SP-00100-0409	Spring, Latch, Bill Acceptor	1	0004 0006
23	TFPP-00632-1104	Screw, 6-32 X 1/4 Thd Form Phil Pan Hd	12	0004 0006
24	TFPP-00632-1108	Screw, 6-32 X 1/2 Thd Form Phil Pan Hd	2	0004 0006
25	TFPP-00832-1108	Screw, 8-32 X 1/2 Thd Form Phil Pan Hd	4	0004 0006
26	CBL-30349-0001	Cable, Bill Acceptor Switch, GPT	1	0004 0006

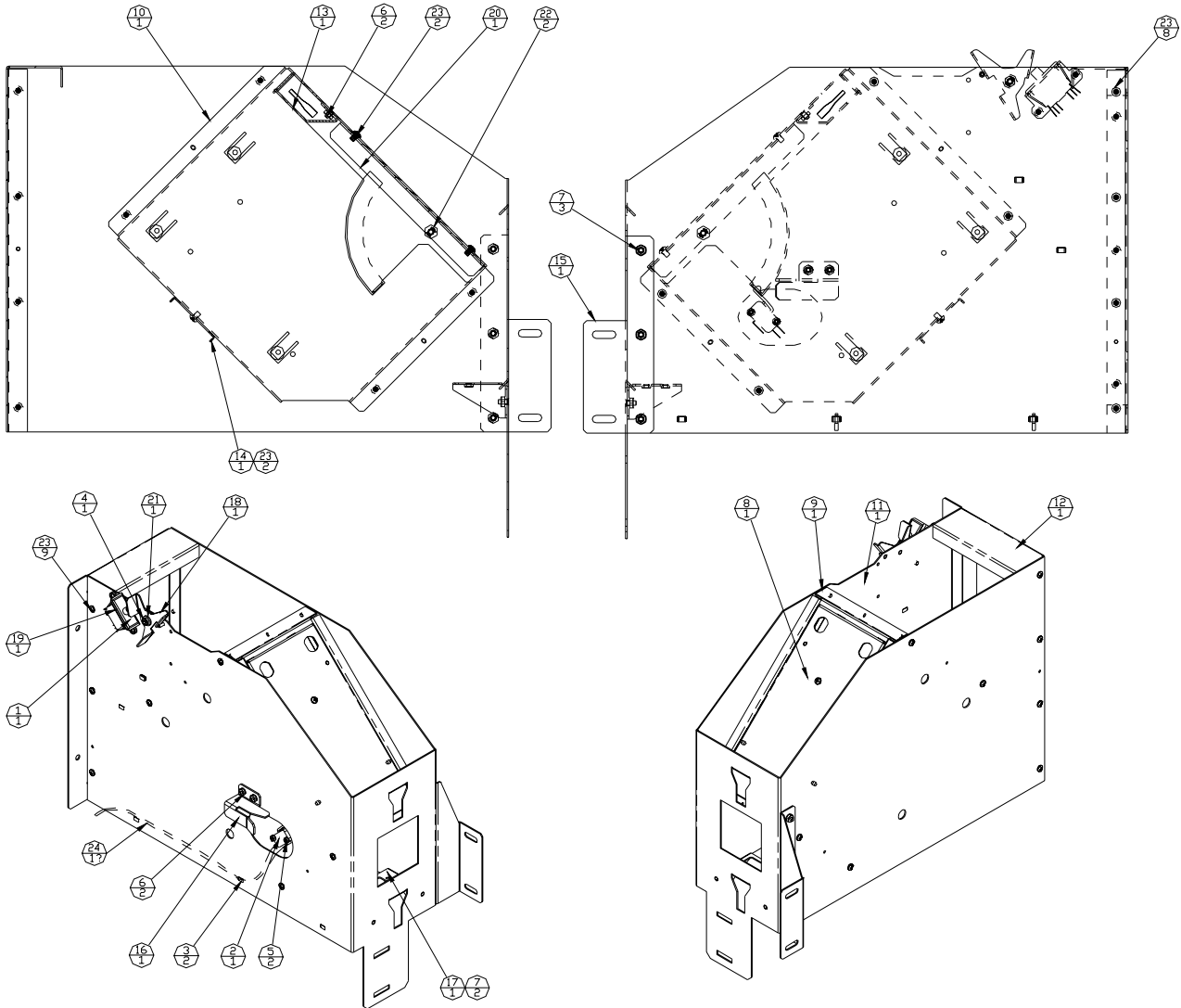
# ProSlot® 6000 / 6000E

## Bill Acceptor Housing/Frame (Cont.) AS-06603-(SERIES)

☑ Slant / ☑ S6E

// Bill Acceptor Housing, JCM/MARS/ARDAC  
AS-06603-0014

☑ S6E



REF	PART #	DESCRIPTION	QTY
1	E-00108-0385	Switch, Door Push	1
2	E-00108-0411	Switch, Snap Action, E-21-90N	1
3	E-00647-0004	Tie Wrap	2
4	M-00319-0002	Elastic, Stop Nut (ESNA)	1
5	NLS-00440-1112	Hex Nut	2
6	NLS-00632-1112	Hex Nut	2
7	NLS-00832-1112	Hex Nut	5
8	P-06603-0001	Door, Bill Box	1
9	P-06603-0002	Bill Acceptor Mounting Bracket, Left	1
10	P-06603-0003	Bill Acceptor Mounting Bracket, Right	1
11	P-06603-0004	Bill Acceptor Housing	1
12	P-06603-0005	Bill Acceptor Housing Bracket	1

REF	PART #	DESCRIPTION	QTY
13	P-06603-0006	Bill Box Lock Cover	1
14	P-06603-0007	Switch Mounting Bracket	1
15	P-06603-0008	Bill Acceptor Housing Mounting Bracket	1
16	P-06603-0009	Hopper Align Bracket	1
17	P-06003-0010	Drawer Plug Bracket	1
18	P-06603-0011	Actuator, Switch	1
19	P-06603-0012	Switch Mounting Bracket	1
20	P-06603-0013	Bill Box Guide	1
21	S-00231-1033	Shoulder Washer	1
22	S-02028-0001	Screw, Shoulder, Front Door CBV	2
23	TFFP-00832-1104	Screw, 8-32 X 1/4 Thd Form Phil Pan Hd	21
24	CBL-20214-0001	Cable, Bill Acceptor Door	1

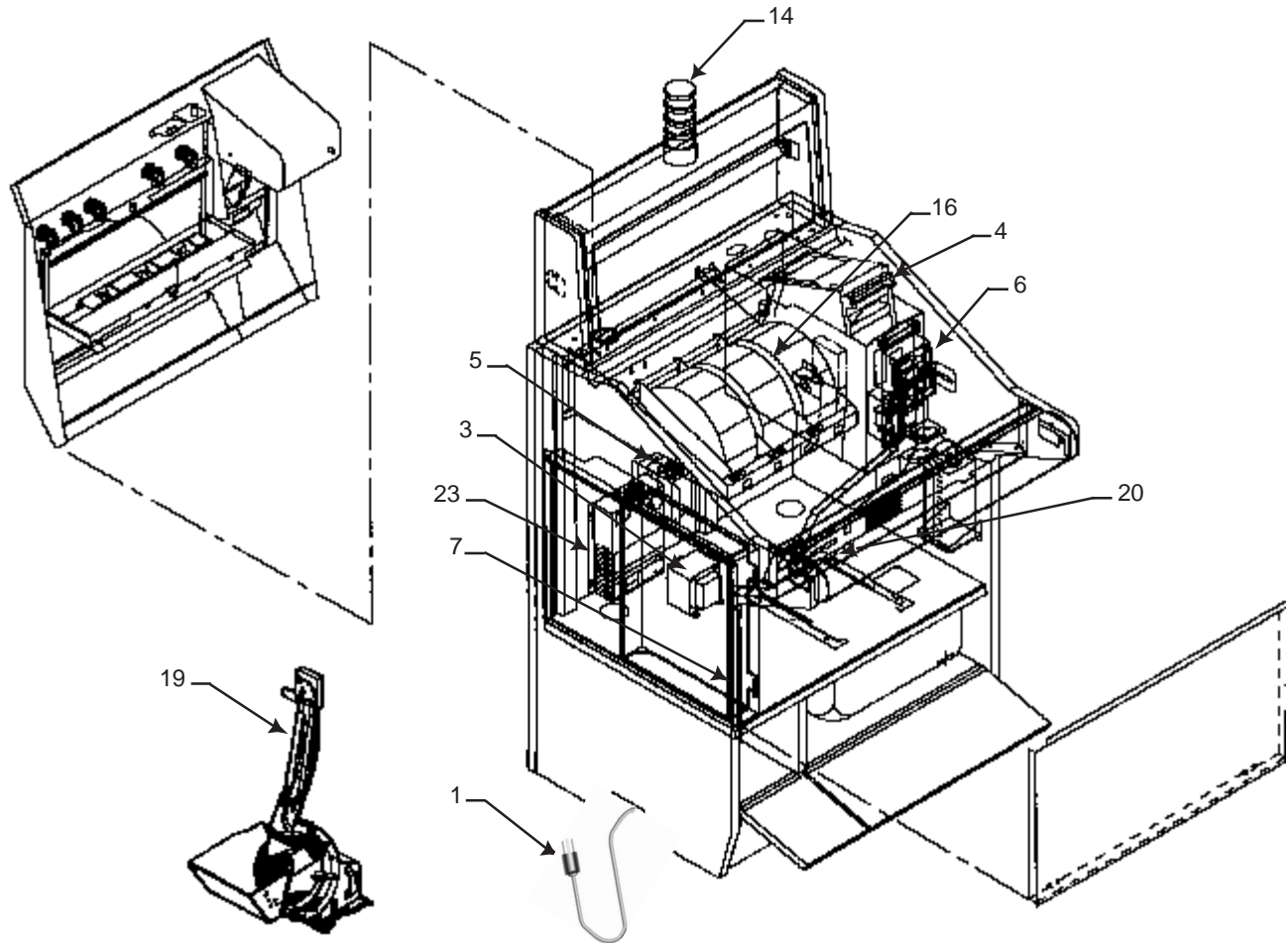
## ProSlant® 6000 / 6000E

### Cabinet Assembly



NOTE: For Feature Glass selections, see Module 3A, Glass and Decals.

For more bracket selections, see Module 10, SDS® Parts Reference.



ITEM	PART #	DESCRIPTION	PAGE
1	E-00126-(SERIES)	Line Cord Assembly	26
2	AS-03335-0132	Starter/Ballast Assembly	75
3	E-00122-(SERIES)	Transformer	23
4	E-X11XX-(SERIES)	Bill Acceptor	13
5	AS-03025-(SERIES)	Cabinet Cable Power Assembly	73
6	AS-05035-(SERIES)	Coin Acceptor (Slant)	61
	AS-05189-(SERIES)	Coin Acceptor (S6E)	62
7	AS-06604-(SERIES)	Card Rack/Backplane Assembly	77
8	E-00281-(SERIES)	Speaker, 4" Round, 4 OHM	27/80
	AS-05031-(SERIES)	Speaker Panel	80
11	AS-06605-(SERIES)	MPU board/Tray	78

ITEM	PART #	DESCRIPTION	PAGE
12	AS-03268-(SERIES)	Convenience Outlet	25
14	P-09323-0001	Cover, Tower Hole, Flat Cabinet	--
	TWRX-(SERIES)	Tower Selections	28
15	M-03107-0001	Coin Bucket	63
16	AS-04716-(SERIES)	Reel Mechanism Assembly	82
17	AS-04235-0009	Reel Drive Assembly, 9" Reel	33
18	AS-04703-(SERIES)	Reel Support, Cable and Bracket	83
19	AS-031XX-(SERIES)	Hopper Assembly	59
20	AS-04225-(SERIES)	Meter Assembly	81
23	AS-04238-(SERIES)	MPU Board/Power Supply/PDU	22

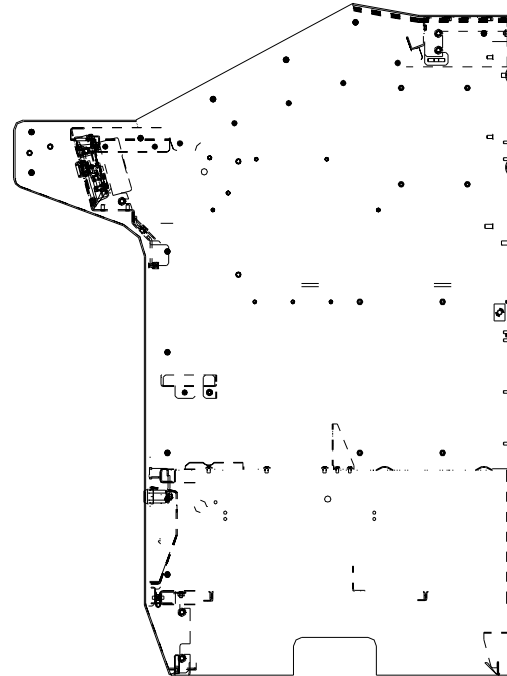
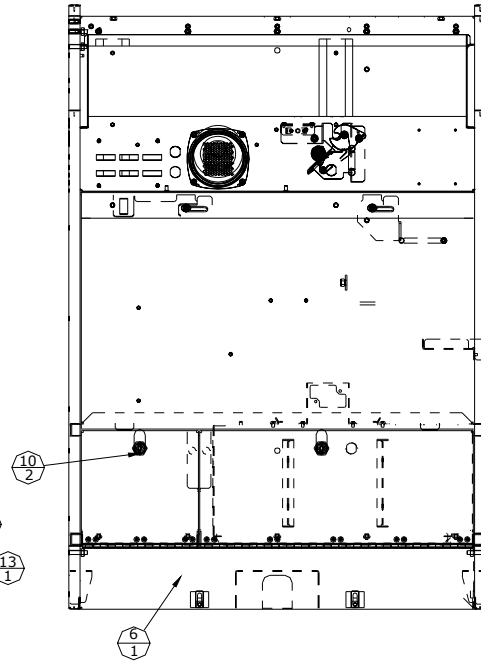
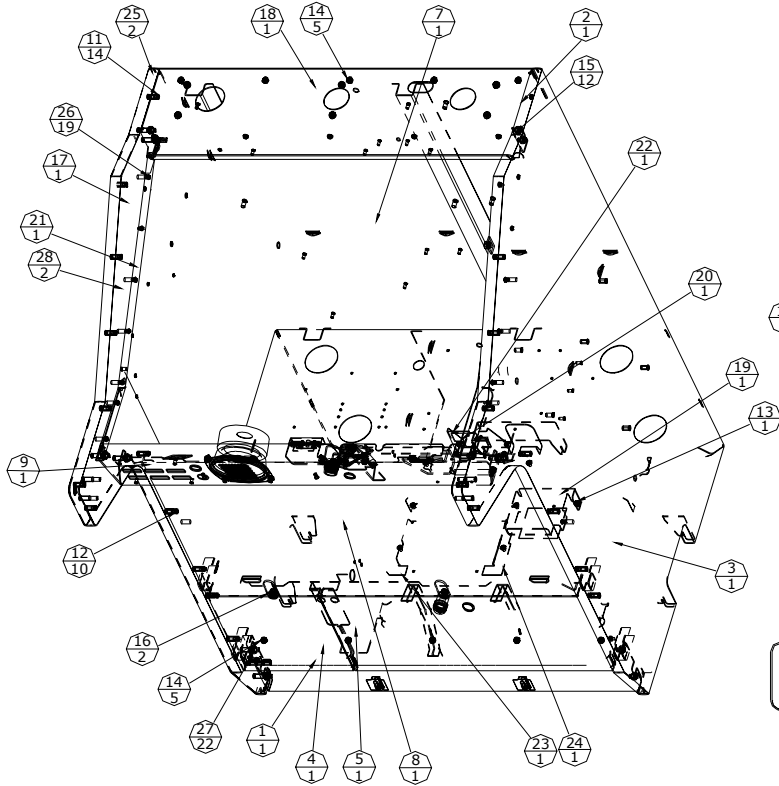
# ProSlant® 6000 / 6000E

## Cabinet Assembly

Cabinet Assembly

ASXX-X79XX-XXXX

☑ Slant



PART NUMBER DESCRIPTION	
ASXX - X79XX - X X XX	
ITEM 8. FRONT LAMINATE	_____
0 - NO PRINTER	_____
1 - W/PRINTER	_____
SERIES	_____
SLANT TOP	_____
CABINET	_____
ITEM 4 & 5. FRONT LAMINATE	_____
RIGHT DOOR LOCK CONFIGURATION	_____
0 - "SINGLE" LOCK DESIGN	_____
1 - "DUAL" LOCK DESIGN	_____
CABINET TRIM (EDGE MOULDING)	_____
CABINET LAMINATE	_____

REF	PART #	DESCRIPTION	QTY
1	A-04270-0039_180	Cabinet, Drop Hinge	1
2	A-07901-0001	Cabinet, Right Liner Assembly	1
3	A-07901-0002	Cabinet, Drop Panel Assembly	1
4	A-07901-0003	Cabinet, Left Door Assembly	1
5	A-07901-0004	Cabinet, Right Door Assembly	1
6	A-07901-0007	Cabinet, Toe Kick Assembly	1
7	A-07902-0002	Cabinet, Main Weldment	1
8	AS-04189-0001	Assembly, Front Door (-0001 No Printer/-0002 Printer)	1
9	AS-05031-0101	Assembly, Speaker Panel, 1/2 Lock, 1/2 Switch	1
10	M-00281-0181	Lock, 1-1/8, Large	2
11	MSPF-00832-1105	Screw, Machine Phil Flat Hd	14
12	MSPF-00832-1105	Screw, Machine Phil Pan Hd	10
13	NLS-00832-1112	Hex Nut	1
14	NLS-01032-1112	Hex Nut	10

REF	PART #	DESCRIPTION	QTY
15	NLS-25020-1112	Hex Nut	12
16	P-00758-0181	Lock Cam, Drop Door	2
17	P-07900-0005	Cabinet, Left Liner	1
18	P-07900-0020	Cabinet, Feature Bracket Assembly	1
19	P-07900-0024	Cabinet, Drain Bottle Bracket	1
20	P-07900-0025	Cabinet, Right Drain Rail	1
21	P-07900-0026	Cabinet, Left Drain Rail	1
22	P-09264-001A	Bkt, Hopper Beau Plug	1
23	P-09319-0155	Guide, Left Hopper	1
24	P-09319-0156	Guide, Right Hopper	1
25	T-MOULDING_750	T-Moulding, .75 Wide	2
26	TFPP-00832-1104	Screw, 8-32 X 1/4 Thd Form Phil Pan Hd	19
27	TFPP-01032-1104	Screw, 10-32 X 1/4 Thd Form Phil Pan Hd	22
28	W-07900-0001	Cabinet, Wood Spacer	2

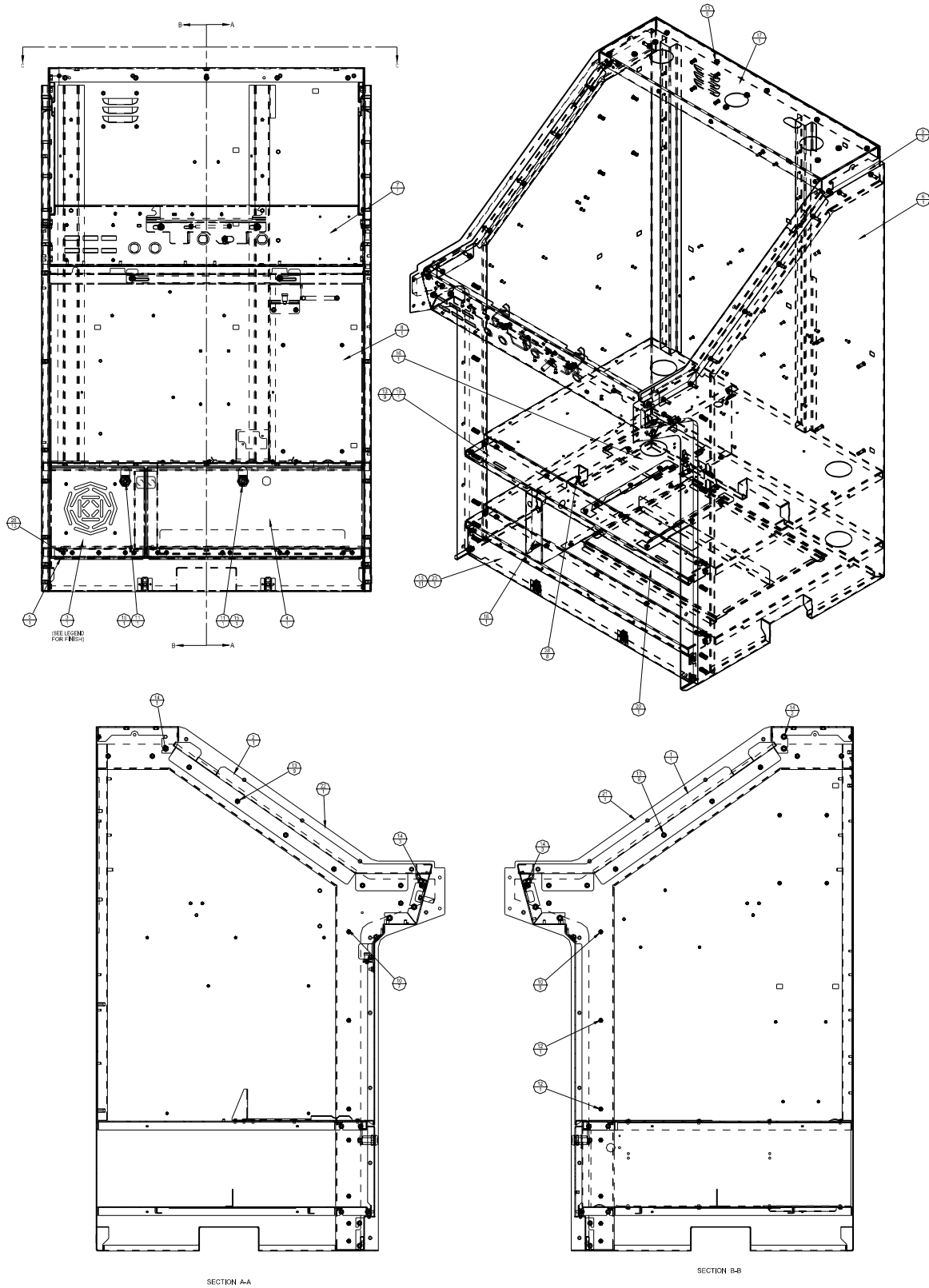
## ProSlant® 6000 / 6000E

### Cabinet Assembly

|| Cabinet Assembly

AS-08752-(SERIES)

☑ S6E



# ProSlant® 6000 / 6000E

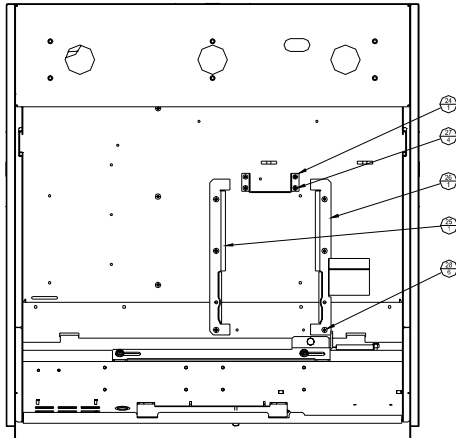
## Cabinet Assembly

|| Cabinet Assembly (Cont.) AS-08752-(SERIES)

☑ S6E

AVAILABILITY:

PART #	DESCRIPTION (COLOR)
AS-08752-0030	Black #12-7001
AS-08752-00AV	Black Gloss
AS-08752-00KQ	#D934
AS-08752-00SV	#WA-0002-N
AS-08752-00SY	#P110-VL
AS-08752-00TA	#7289-58
AS-08752-00TB	#7109-58
AS-08752-30CH	Black #N3C
AS-08752-30LR	Black #6255-P418
AS-08752-30SJ	Black #N2C



VIEW GC

PART NUMBER LEGEND	
AS-X8752-XX XX	
CABINET FINISH: (A-08750-0001)	
01-99	POWDER COAT PER BALLY PC-SPEC-0001
AA-ZZ	LAMINATE PER BALLY LAM-SPEC-0001
FRONT DOORS FINISH: (A-08750-0002, 3 & 4)	
00	FINISH MATCHES CABINET FINISH
01-99	POWDER COAT PER BALLY PC-SPEC-0001
AA-ZZ	LAMINATE PER BALLY LAM-SPEC-0001
DROP DOOR LOCK OPTION:	
0	ONE LOCK OR POWDER COATED DOORS
1	DUAL LOCK WITH LAMINATED DOORS (LAMINATE MUST BE TRIMMED AROUND LOCK KNOCKOUT AREA)

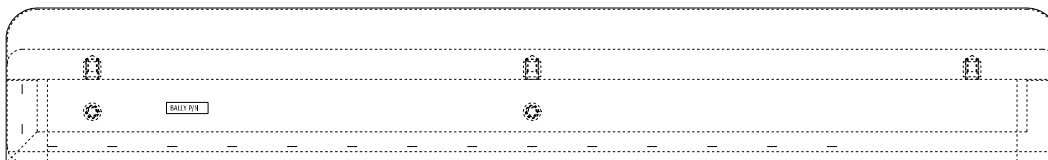
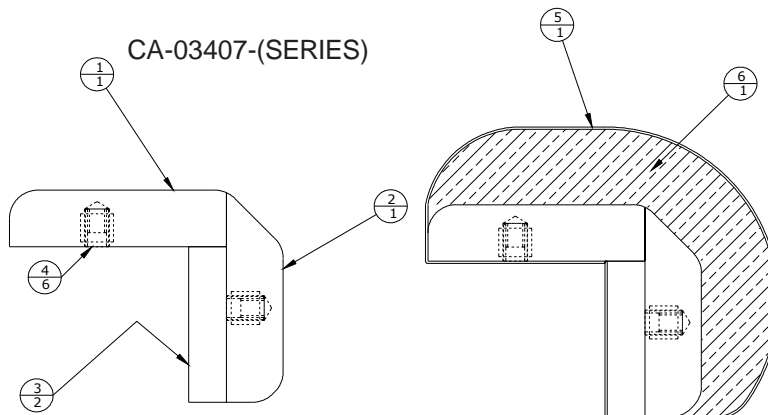
REF	PART #	DESCRIPTION	QTY
1	A-04950-0001	Rail, Left Drain	1
2	A-04950-0002	Rail, Right Drain	1
3	A-08750-0002	Door, Lower Left Cabinet	1
4	A-08750-0003	Door, Lower Right Cabinet	1
5	A-08750-0005-F	Hinge, Lower Door	1
6	A-08751-0001	Assembly, Cabinet Weld	1
7	AS-08750-0001	Assembly, Front Panel	1
8	AS-08750-0002	Assembly, Front Door	1
9	CA-08751-0001	Spacer, Cabinet Trim	2
10	LSPX-00832-1106	Screw, Mach With Lock Phil Pan Hd	12
11	M-00281-0181	Lock, 1-1/8 Large	2
12	MSPX-00832-1106	Screw, Machine Phil Flat Hd, 82 Deg	2
13	NLS-01032-1112	Hex Nut	43
14	NLS-25020-1112	Hex Nut	9

REF	PART #	DESCRIPTION	QTY
15	P-00758-0181	Lock Cam, Drop Door	2
16	P-06004-0193	Cover, Wire Access	1
17	P-08750-0007	Top, Cabinet	1
18	P-08750-0008	Divider, Lower Shelf	1
19	P-08750-0009	Front, Upper Shelf	1
20	P-08750-0015	Panel, Lower Access	1
21	P-08751-0010	Support, Lower Cabinet Side	1
22	P-08751-0011	Support, Right Cabinet Side	1
23	P-08751-0012	Front, Lower Shelf	1
24	P-09264-001A	Bracket, Hopper Beau Plug	1
25	P-09319-0668	Guide, Left Hopper	1
26	P-09319-0669	Guide, Right Hopper	1
27	TFPP-00832-1104	Screw, 8-32 X 1/4 Thd Form Phil Pan Hd	4
28	TFPP-01032-1104	Screw, 10-32 1/4 Thd Form Phil Pan Hd	27

### Arm Rest

☑ Slant

### CA-03407-(SERIES)



## ProSlant® 6000 / 6000E

### Cabinet Assembly

Arm Rest (Cont.)

CA-03407-(SERIES)

Slant

REF	PART #	DESCRIPTION	QTY
1	Item 1	.75 Thk Medium Density Fiberboard	1
2	Item 2	.75 Thk Medium Density Fiberboard	1
3	Item 3	.50 Thk Medium Density Fiberboard	2
4	Item 4	1/4-20 Insert	6
5	Item 5	2-inch Thk Medium Density Closed Cell Foam	1
6	FAB-SPEC-0001	Vinyl Covering	1

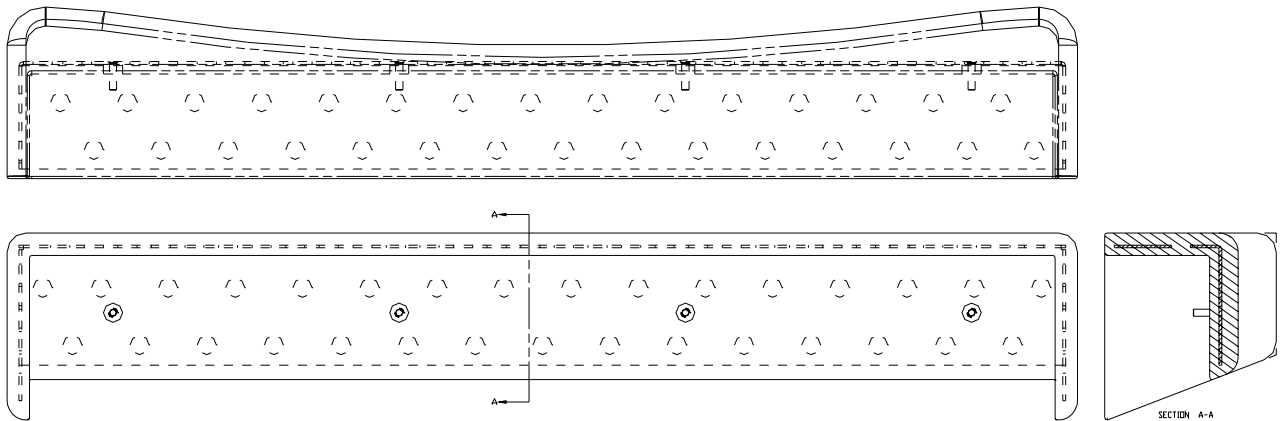
AVAILABILITY:

PART #	DESCRIPTON (COLOR)
CA-03407-0001	#ANO-6707 White
CA-03407-0002	#ANO-6730
CA-03407-0017	#PAT-8532
CA-03407-0031	#US-393 Black
CA-03407-0032	Desert Rose
CA-03407-0040	#US364 Burgandy
CA-03407-0041	#SR-308 Fire
CA-03407-0043	#PAT-8528
CA-03407-0062	#SR-105/363500
CA-03407-0085	#416 Faux
CA-03407-0086	#J1U5 Bright Gold
CA-03407-0087	#JHD4 Butter
CA-03407-0088	#BB-56 Copperwood
CA-03407-0089	#BRK-20A Ivory
CA-03407-0090	#J1A1 Black
CA-03407-0091	#EX266 Persimmon
CA-03407-0092	#EX239 Green
CA-03407-0093	#RU-750 Indian Red
CA-03407-0094	#455 Port
CA-03407-0095	#1999-604
CA-03407-0096	#363495
CA-03407-0097	Biscuit
CA-03407-0098	Saddle

|| Arm Rest

A-05201-0001

S6E



Cabinet Cable Power

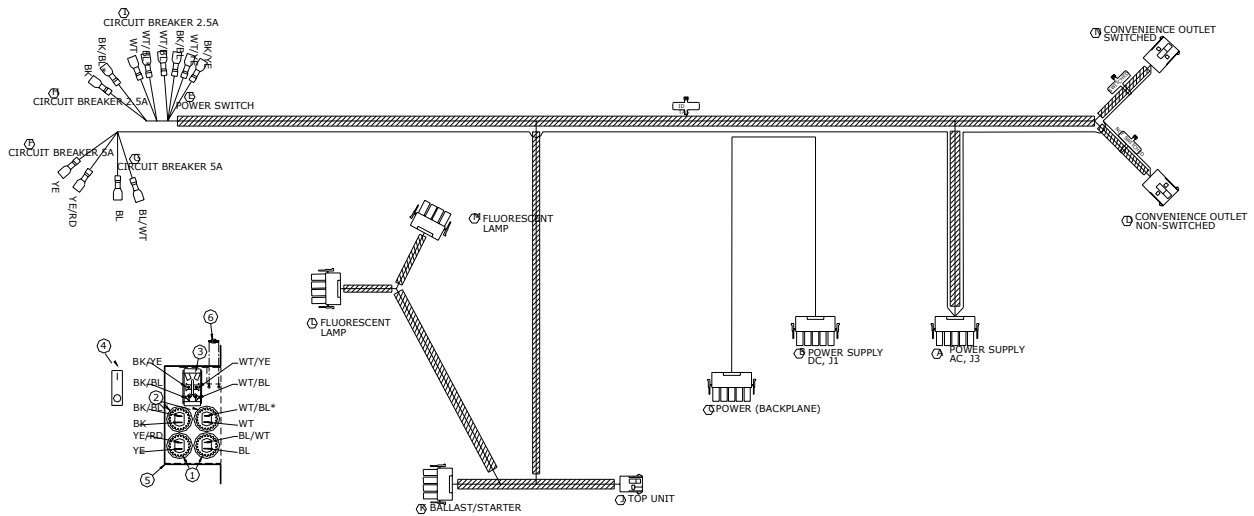
AS-03025-(SERIES)

Cabinet Cable Power

AS-03025-0137

Slant /  S6E

Slant



REF	PART #	DESCRIPTION	QTY
1	E-00948-0016	Circuit Breaker, 5.0 Amp, IP, Thermal	2
2	E-00948-0019	Circuit Breaker, 2.5 Amp, IP, Thermal	2
3	E-00108-0395	Switch, Toggle, CE97	1
4	LBL-00248-0001	Label, On/Off	1

REF	PART #	DESCRIPTION	QTY
5	P-06004-0005	Switch, Fuse Bracket	1
6	E-00647-0004	Cable Tie, 4-Inch	1
7	CBL-30255-0001	Cabinet Power Cable	1
8	E-00647-0020	Marker Tie, ID Tag	1

# ProSlot® 6000 / 6000E

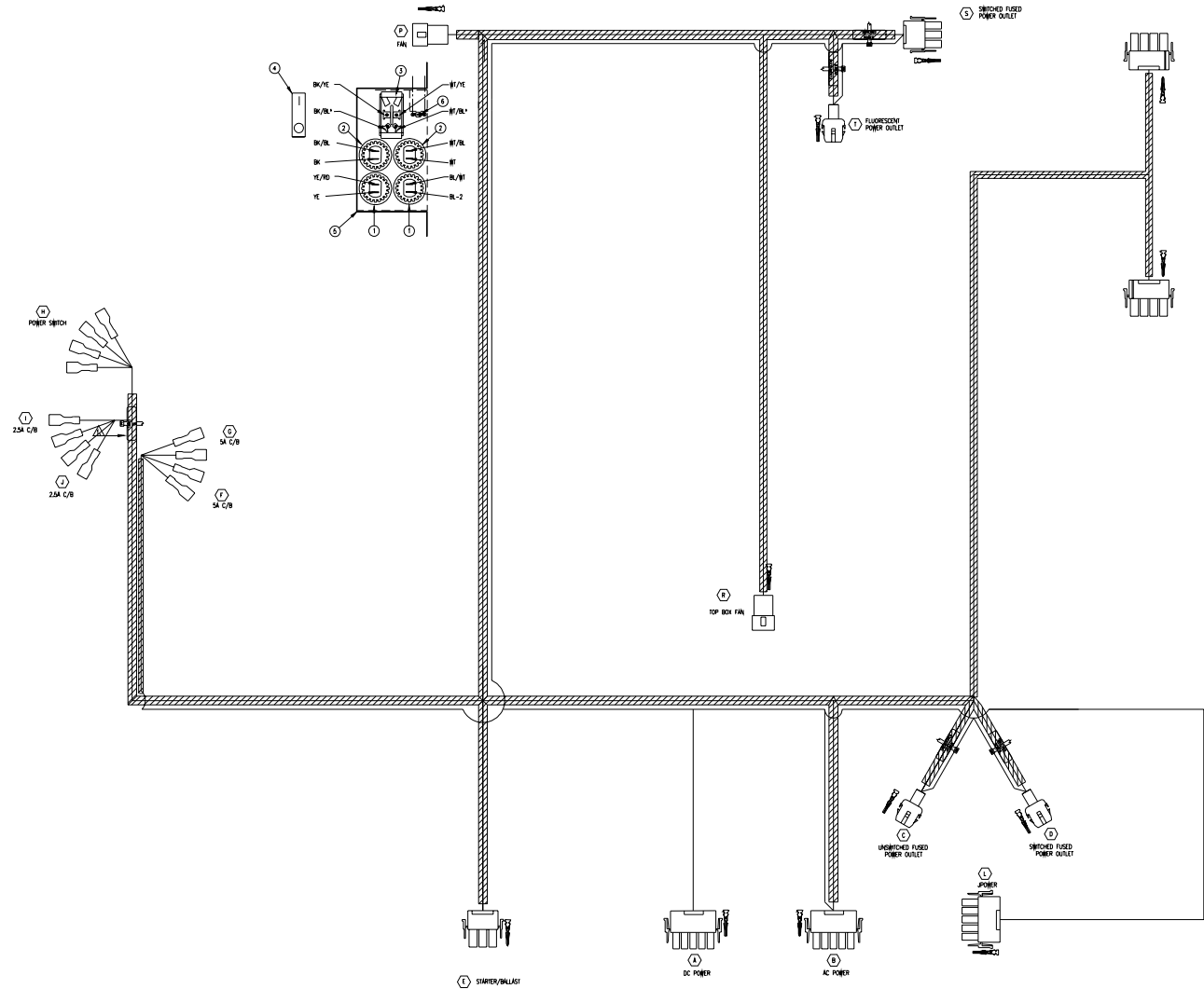
## Cabinet Assembly

Cabinet Cable Power (Cont.) AS-03025-(SERIES)

☑ Slant / ☑ S6E

|| Cabinet Cable Power  
AS-03025-0178

☑ S6E



REF	PART #	DESCRIPTION	QTY
1	E-00948-0016	Circuit Breaker, 5.0 Amp, IP, Thermal	2
2	E-00948-0019	Circuit Breaker, 2.5 Amp, IP, Thermal	2
3	E-00108-0395	Switch, Toggle, Main Power, CE97	1
4	LBL-00248-0001	Label, On/Off	1

REF	PART #	DESCRIPTION	QTY
5	P-09319-0696	Bkt, Switch/Fuse	1
6	E-00647-0004	4-Inch Cable Tie	1
7	CBL-30712-0001	Cable, Cabinet Power, S6E Slant	1
8	E-00647-0020	Marker Tie, ID Tag	1



## ProSlant® 6000 / 6000E

### Cabinet Assembly

Starter/Ballast Assembly

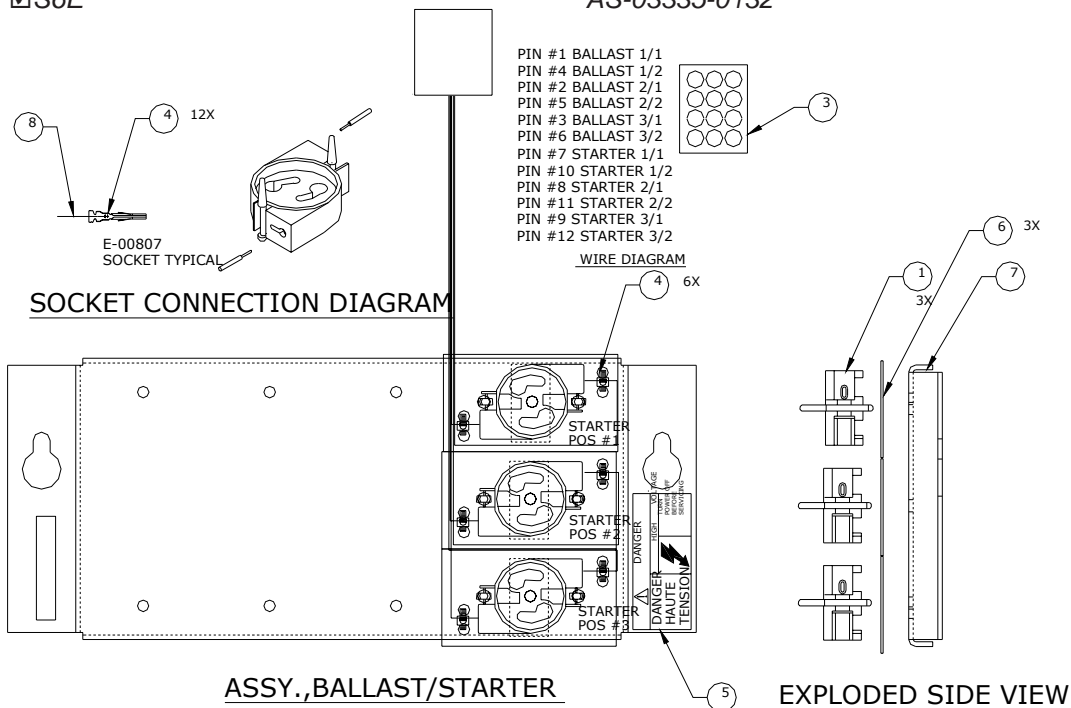
☑ Slant / ☑ S6E

AS-03335-(SERIES)

Starter/Ballast Assembly

AS-03335-0132

☑ Slant

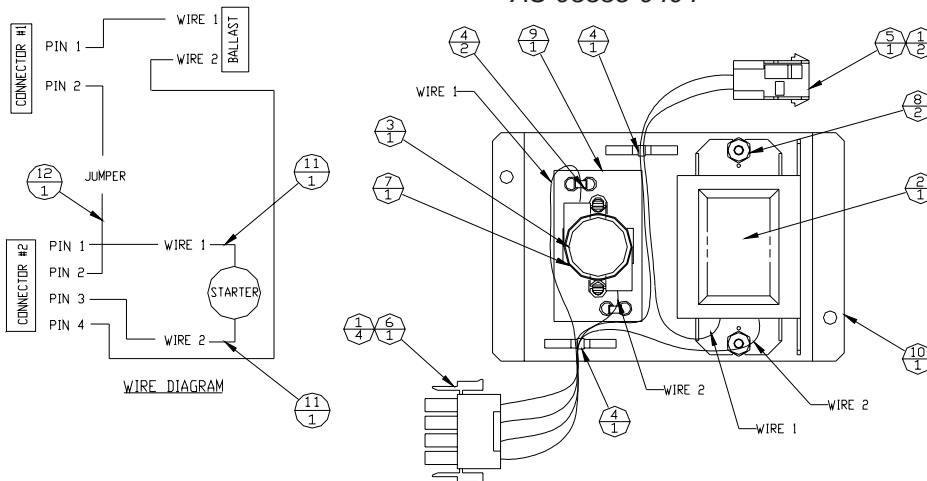


REF	PART #	DESCRIPTION	QTY
1	E-00120-0265	Socket, Fluorescent Lamp Starter, CE97	3
2	E-00647-0004	Cable Tie	6
3	E-00804-0012	Connector Housing Cap	1
4	E-00807	Socket, Amp 24-18 AWG	6

REF	PART #	DESCRIPTION	QTY
5	LBL-00253-0101	Label, High Voltage (French/English)	1
6	P-00150-0292	Insulator, Polycarbonate, CE97	3
7	P-09082-0004	Bracket, Ballast/Starter	1
8	WIP-ES202-1850	PVC, Solid 18 AWG White Type TEW	A/R

|| Starter/Ballast Assembly, 120V, 60Hz.  
AS-03335-0404

☑ S6E



REF	PART #	DESCRIPTION	QTY
1	E-00807	Socket, Amp, 24-18	6
2	E-00409-0010	Ballast, For F15T8 Tube, 60 Hz	1
3	E-00411-0008	Starter, Fluorescent, FS-2	1
4	E-00647-0004	Tie Wrap	4
5	E-00804-0002	Connector Housing Cap	1
6	E-00808-0004	Connector Housing Plug	1

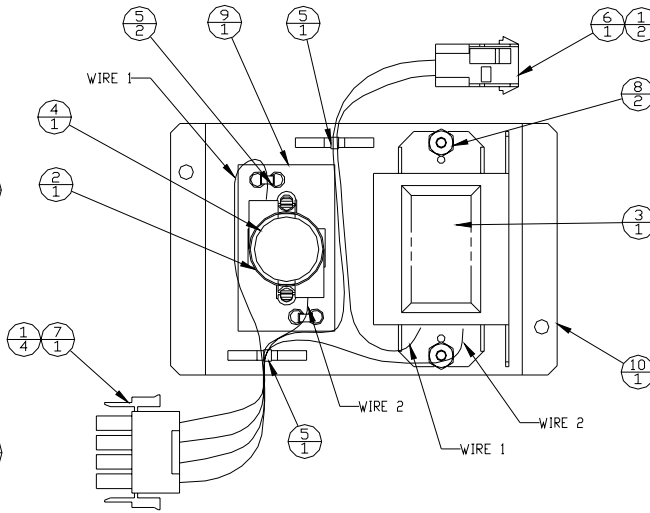
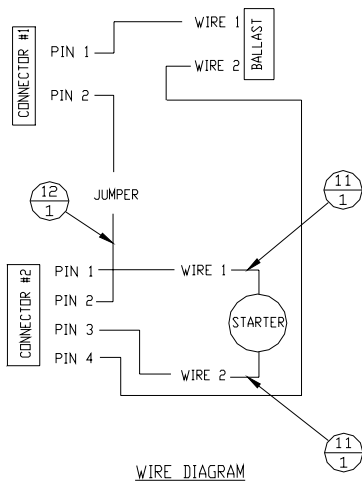
REF	PART #	DESCRIPTION	QTY
7	E-00120-0265	Socket, Fluorescent Lamp Starter CE97	1
8	NLS-00632-1112	Hex Nut	2
9	P-00150-0292	Insulator, Polycarbonate Ce97	1
10	P-09319-0574	Starter/Ballast Mounting Bracket	1
11	WP-ES202-1850-B	PVC, Solid 18 AWG White, Type TEW	1
12	WP-ES202-1880-B	PVC, Solid 18 AWG Black, Type TEW	1

# ProSlant® 6000 / 6000E

Starter/Ballast Assembly (Cont.) AS-03335-(SERIES)  
 Slant /  S6E

// Starter/Ballast Assembly, 220V, 50Hz.  
 AS-03335-0405

S6E

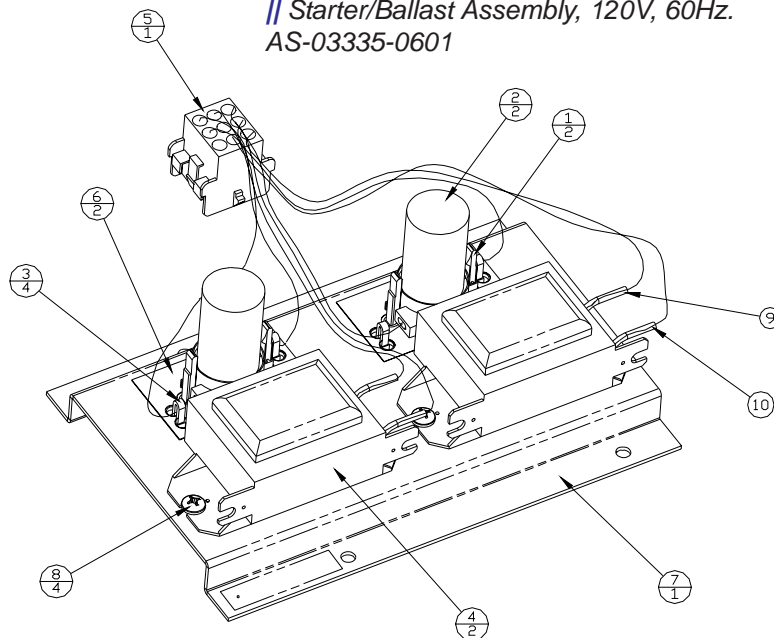
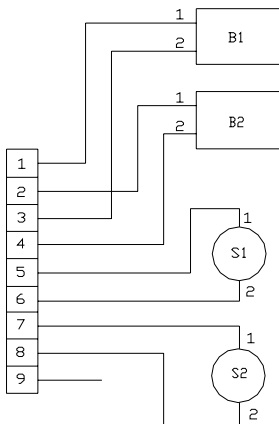


REF	PART #	DESCRIPTION	QTY
1	E-00807	Socket, Amp, 24-18	6
2	E-00120-0265	Socket, Fluorescent Lamp Starter CE97	1
3	E-00409-0025	Ballast, For F15T8 Tube, 50 Hz	1
4	E-00411-0009	Starter, Fluorescent, FS-2	1
5	E-00647-0004	Tie Wrap	4
5	E-00804-0002	Connector Housing Cap	1

REF	PART #	DESCRIPTION	QTY
7	E-00808-0004	Connector Housing Plug	1
8	NLS-00632-1112	Hex Nut	2
9	P-00150-0292	Insulator, Polycarbonate Ce97	1
10	P-09319-0574	Starter/Ballast Mounting Bracket	1
11	WP-ES202-1850-B	PVC, Solid 18awg White, Type TEW	1
12	WP-ES202-1880-B	PVC, Solid 18awg Black, Type TEW	1

// Starter/Ballast Assembly, 120V, 60Hz.  
 AS-03335-0601

S6E



REF	PART #	DESCRIPTION	QTY
1	E-00120-0265	Socket, Fluorescent, Lamp Starter CE97	2
2	E-00411-0010	Starter, Fluorescent, FS-2	2
3	E-00647-0004	Tie Wrap	4
4	E-00664-0239	Assembly, Ballast/Terminal	2
5	E-00804-0009	Connector Housing Cap	1

REF	PART #	DESCRIPTION	QTY
6	P-00150-0292	Insulator, Polycarbonate CE97	2
7	P-09319-0738	Assembly, Starter/Ballast, 120V/60HZ	1
8	TFPP-00832-1104	Screw, 8-32 X 1/4 Thd Form Phil Pan Hd	4
9	WIP-ES202-1850	PVC, Solid, 18 AWG, White	--
10	WIP-ES202-1880	PVC, Solid, 18 AWG, Black	--

AVAILABILITY:

PART #	DESCRIPTON (COLOR)
AS-03335-0602	Assembly, Starter/Ballast, 220V/60HZ

| - Revised, || - New  
 ProSlot® 6000

## ProSlant® 6000 / 6000E

Card Rack/Backplane  
AS-06604-000X

Slant

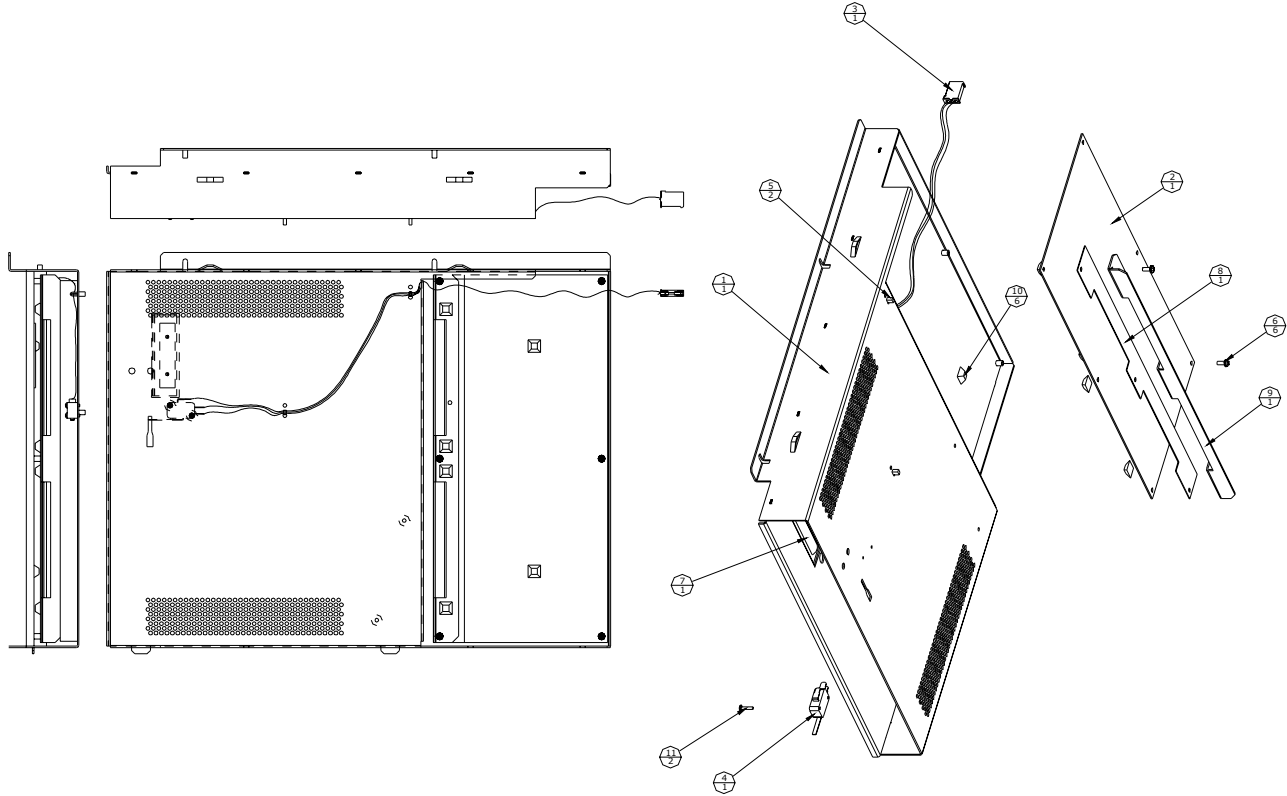
### Cabinet Assembly

Card Rack/Backplane AS-06604-(SERIES)

Slant /  S6E

AVAILABILITY:

PART #	DESCRIPTION
AS-06604-0002	Card Rack/Backplane
AS-06604-0005	Card Rack/Backplane (South Africa)
AS-06604-0007	Card Rack/Backplane (France)



REF	PART #	DESCRIPTION	QTY	PART #
1	A-06803-0002	Housing, MPU	1	0002
				0005
				0007
2	AS-03356-0423	PC Board, Backplane, Slot MPU	1	0002
				0005
				0007
3	CBL-20275-0001	Cable, MPU Door Switch	1	0005
	CBL-20277-0001	Cable, Data Vault™	1	0007
4	E-00108-0387	Switch, Bill Acceptor Door	1	0005
5	E-00647-0004	Tie Wrap	2	0005
				0002
6	LSPP-00632-1106	Screw, Mach W/ Lock Phil Pan Hd	6	0005
				0007
				0002
7	M-03001-0001	Strip, Grounding	1	0005
				0002
				0007

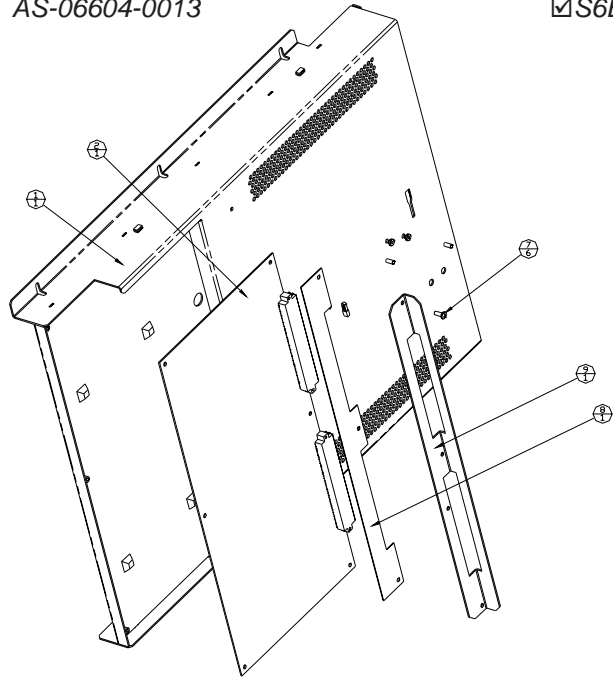
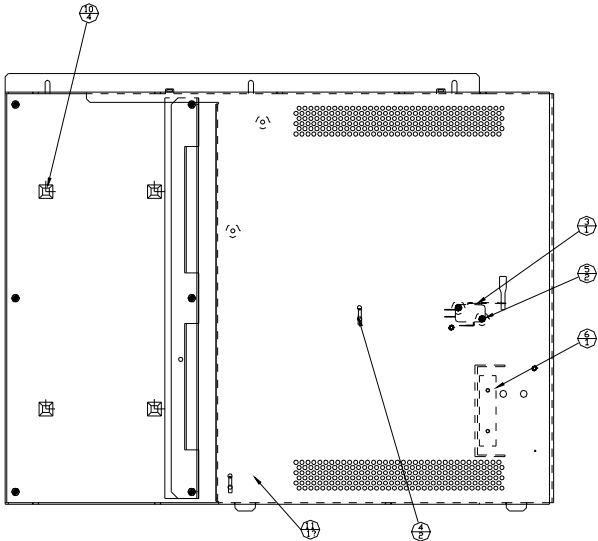
REF	PART #	DESCRIPTION	QTY	PART #
8	P-00150-0303	Insulator, Backplane	1	0002
				0005
				0007
9	P-09322-0309	Bracket, Backplane Support	1	0002
				0005
				0007
10	R-00409	Bumper	6	0002
				0005
				0007
11	TFPP-00440-1108	Screw, 4-40 X 1/2 Thd Form Phil Pan Hd	2	0005
				0007
12	AS-06620-0001	Assembly, Data Vault™ Plate/Cover/Board (Not Shown)	1	0007

# ProSlot® 6000 / 6000E

Card Rack/Backplane (Cont.) AS-06604-(SERIES)  
 Slant /  S6E

// Card Rack/Backplane  
 AS-06604-0013

S6E



REF	PART #	DESCRIPTION	QTY
1	A-06803-0006	Assembly, IOP Housing	1
2	AS-03356-0643	PCB, IOP Blackplane	1
3	E-00108-0387	Switch, Bill Acceptor Door	1
4	E-00647-0004	Tie Wrap	2
5	LSPP-00440-1110	Screw, Mach With Lock Phil Pan Hd	2
6	M-03001-0001	Strip, Grounding	1

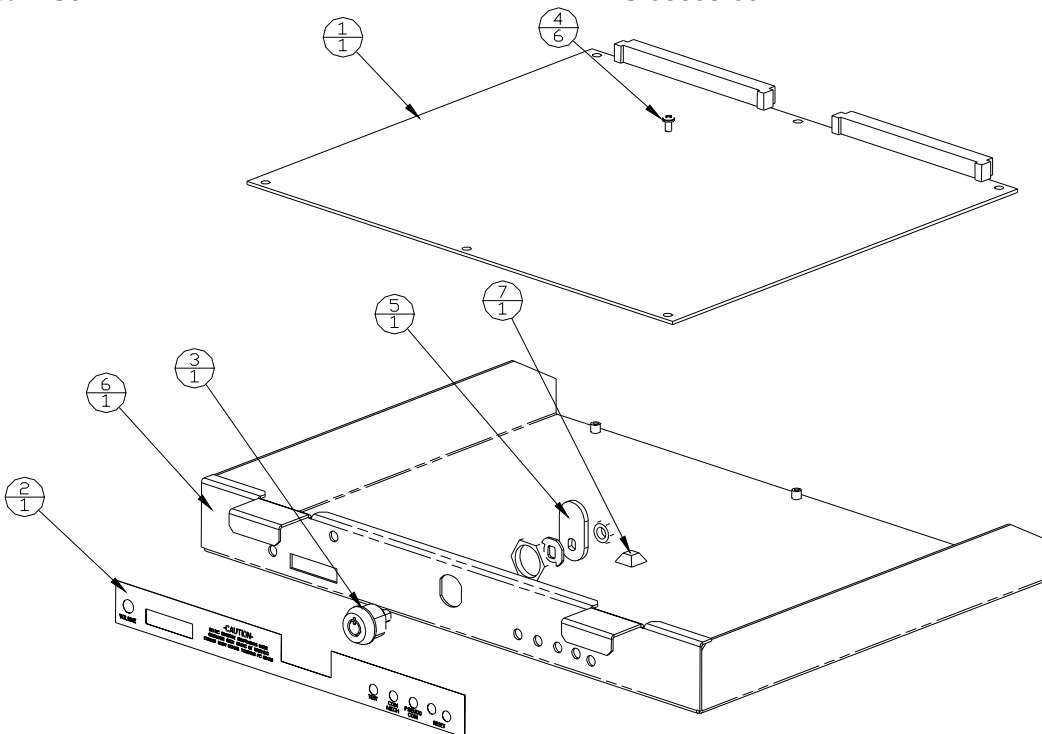
REF	PART #	DESCRIPTION	QTY
7	MSP-00632-1106	Screw, Machine Phil Pan Hd	6
8	P-00150-0303	Insulator, Backplane	1
9	P-09322-0309	Backplane Support Bracket	1
10	R-00409	Bumper	4
11	CBL-20319-0002	Cable, IOP Door Switch	1

MPU Board/Tray  
 Slant /  S6E

AS-06605-(SERIES)

MPU Board/Tray  
 AS-06605-00XX

Slant



## ProSlant® 6000 / 6000E

### Cabinet Assembly

MPU Board/Tray (Cont.) AS-06605-(SERIES)

Slant /  S6E

REF	PART #	DESCRIPTION	QTY	P/N
1	AS-03356-0438	PC Board, MPU	1	0004
	AS-03356-0478	PC Board, MPU	1	0006
	AS-03356-0424	PC Board, MPU	1	0002 0010
2	LSPP-00632-1104	Screw, Mach W/ Lock Phil Pan Hd	6	0002
				0004
				0006
				0010
				0010
3	M-00281-162A	Lock, No Cam, Door/Bill Acceptor	1	0002 0004 0006
	M-00281-0173	Lock, Thumb-Turn, Door, No Key	1	0010
	4	P-00758-0183	Cam, MPU Tray	1
0004				
0006				
	P-00758-0094	Cam, Bill Acceptor Stacker, M-00281-0132	1	0010

MPU Board/Tray

AS-06605-00XX

Slant

REF	PART #	DESCRIPTION	QTY	P/N
5	P-06802-0002	MPU Tray	1	0002
				0004
				0006
				0010
6	R-00409	Bumper	1	0002
				0004
				0006
				0010
7	S-00231-1003	Spacer, Door Lock Used With 1 1/8 Lock	1	0010

**AVAILABILITY:**

PART #	DESCRIPTION
AS-06605-0002	MPU Board/Tray
AS-06605-0004	MPU Board/Tray (South Africa)
AS-06605-0006	MPU Board/Tray, DataVault™ (France)
AS-06605-0010	MPU Board/Tray (South Africa)

|| MPU Board/Tray

AS-06605-1009

S6E

REF	PART #	DESCRIPTION	QTY
1	AS-03356-0424	Assembly, MPU Board	1
2	LBL-00272-0006	Label, IOP Tray	1
3	M-00281-162A	Lock, No Cam, Door/Bill Acceptor	1
4	MSPP-00632-1104	Screw, Machine Phil Pan Hd	6

REF	PART #	DESCRIPTION	QTY
5	P-00758-0168	Cam, MPU Tray	1
6	P-06802-0009	Tray, IOP	1
7	R-00409	Bumper	1

Transformer, 220 VAC, 50/60 Hz. E-00122-0246

Slant

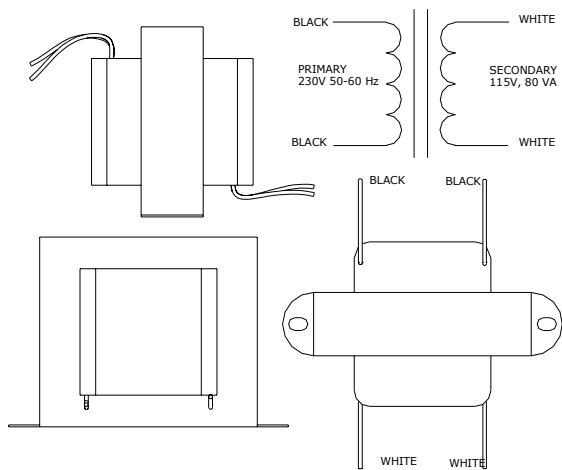


FIGURE 1

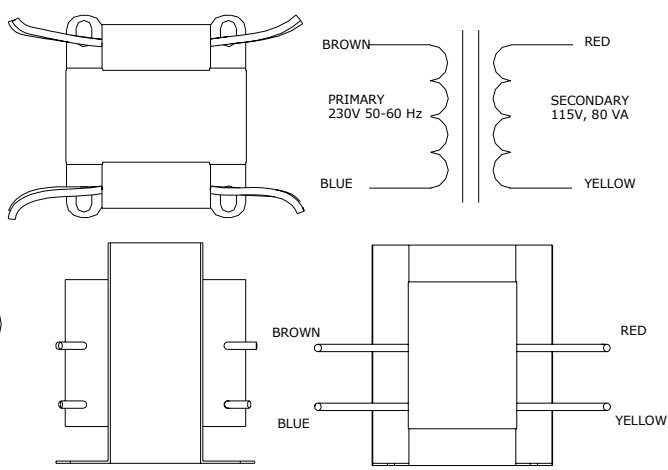


FIGURE 2



NOTE: See page 23 for additional transformer selections.

# ProSlant® 6000 / 6000E

## Cabinet Assembly

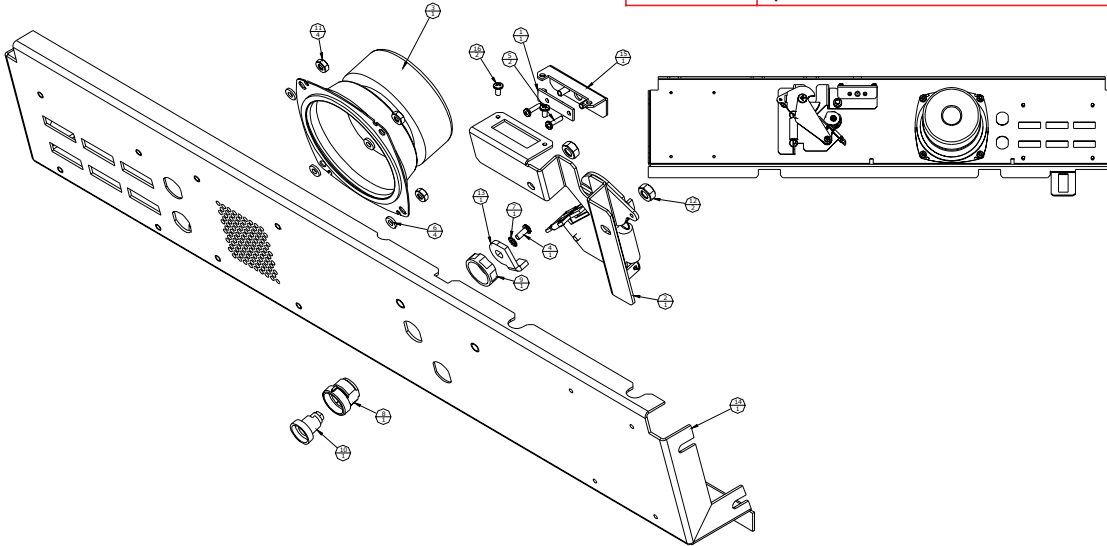
Speaker Panel

AS-05031-(SERIES)

☑ Slant

AVAILABILITY:

PART #	DESCRIPTION
AS-05031-0101	Speaker Panel
AS-05031-0102	Speaker Panel



REF	PART #	DESCRIPTION	QTY	PART #
1	AS-03356-0428	Assembly, Door Optic Emitter	1	0101
2	AS-04332-0002	Assembly, Deck Latch	1	0101 0102
3	E-00281-0027	Speaker, 4-Inch Round	1	0101
			2	0102
4	HLPP-00600-1106	Screw, Hi-Lo, Phil Pan Hd	1	0101
5	LSPP-00440-1108	Screw, Mach With Lock Phil Pan Hd	2	0101
6	M-01514-0049	Spacer, .370D X .171ID X .062LG	4	0101
			8	0102
7	M-01700-0006	Lock Washer, External Tooth	1	0101 0102
8	M-01757-0014	Housing, Lock, Plastic	1	0101 0102

REF	PART #	DESCRIPTION	QTY	PART #
9	M-01757-0016	Nut, Lock Housing, Plastic	1	0101 0102
10	M-01757-0017	Cylinder, Lock Plastic	1	0101 0102
11	NLS-00832-1112	Hex Nut	4	0101
			8	0102
12	NLS-25020-1112	Hex Nut	2	0101 0102
13	P-00758-0117	Cam, Lock, Single Deck	1	0101 0102
14	P-07900-0030	Assembly, Speaker Panel	1	0101
	P-07900-0034	Assembly, Speaker Panel	1	0102
15	P-09319-0450	Bracket, Door Optic	1	0101
16	TFPP-00632-1104	Screw, 6-32 X 1/4 Thd Form Phil Pan Hd	2	0101

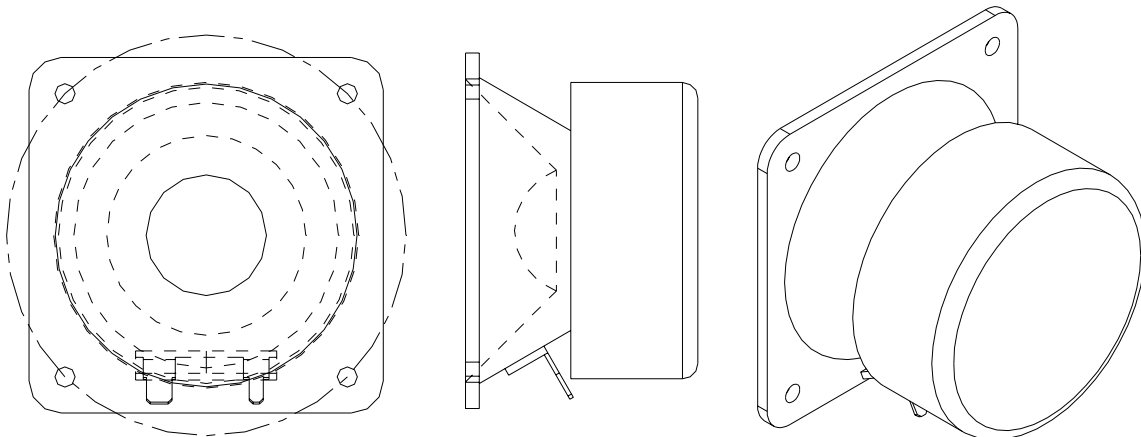
|| Speaker

E-00281-(SERIES)

☑ S6E

AVAILABILITY:

PART #	DESCRIPTION
E-00281-0036	Speaker, 2 3/4 Inch, 4 OHM, 10W
E-00281-0037	Speaker, 6-Inch, 8 OHM, 50W



## ProSlot® 6000 / 6000E

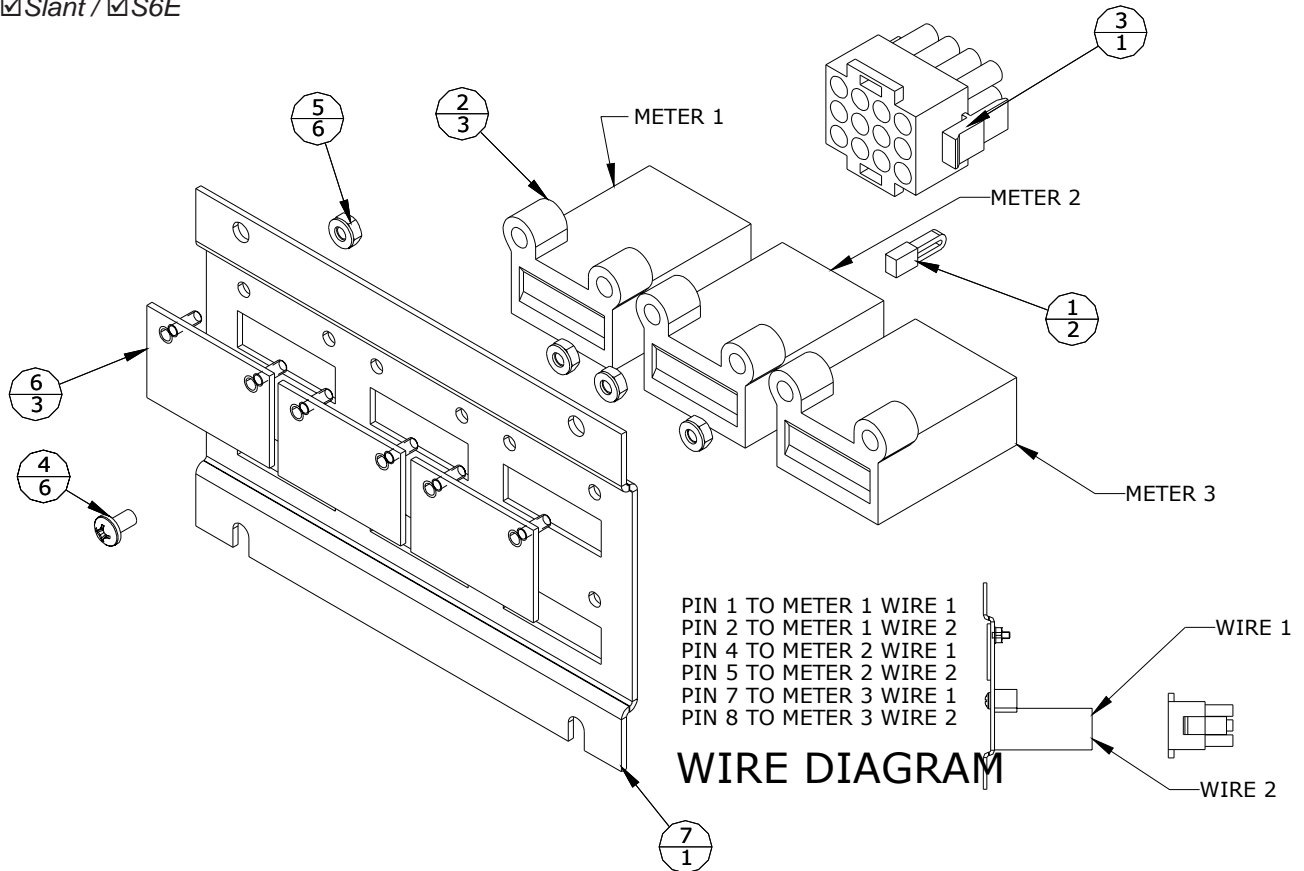
### Cabinet Assembly

Meter Assembly  
 Slant /  S6E

AS-04225-(SERIES)

AVAILABILITY:

PART #	DESCRIPTION	SL	S6E
AS-04225-0071	Assembly, 3 Meter	X	X
AS-04225-0088	Assembly, 3 Meter	X	



REF	PART #	DESCRIPTION	QTY	PART #
1	E-00647-0004	Tie Wrap	2	0071
				0088
2	E-00664-0491	Assembly, 7-Digit Meter With 80-Inch Lead	3	0071
				0088
3	E-00808-0012	Connector Housing Plug	1	0071
				0088
4	LSPP-M0350-1104	Screw, Metric Mach With Lock Phil Pan Hd	6	0071
				10

REF	PART #	DESCRIPTION	QTY	PART #
5	NLS-00440-1112	Hex Nut	2	0071
				0088
6	P-04474-0004	Guard, Meter, Black	3	0071
				0088
7	P-09319-0236	Bracket, Meter Mounting	1	0071
				0088

# ProSlot® 6000 / 6000E

## Reel Mechanism Assembly

AS-04716-000X

### Cabinet Assembly

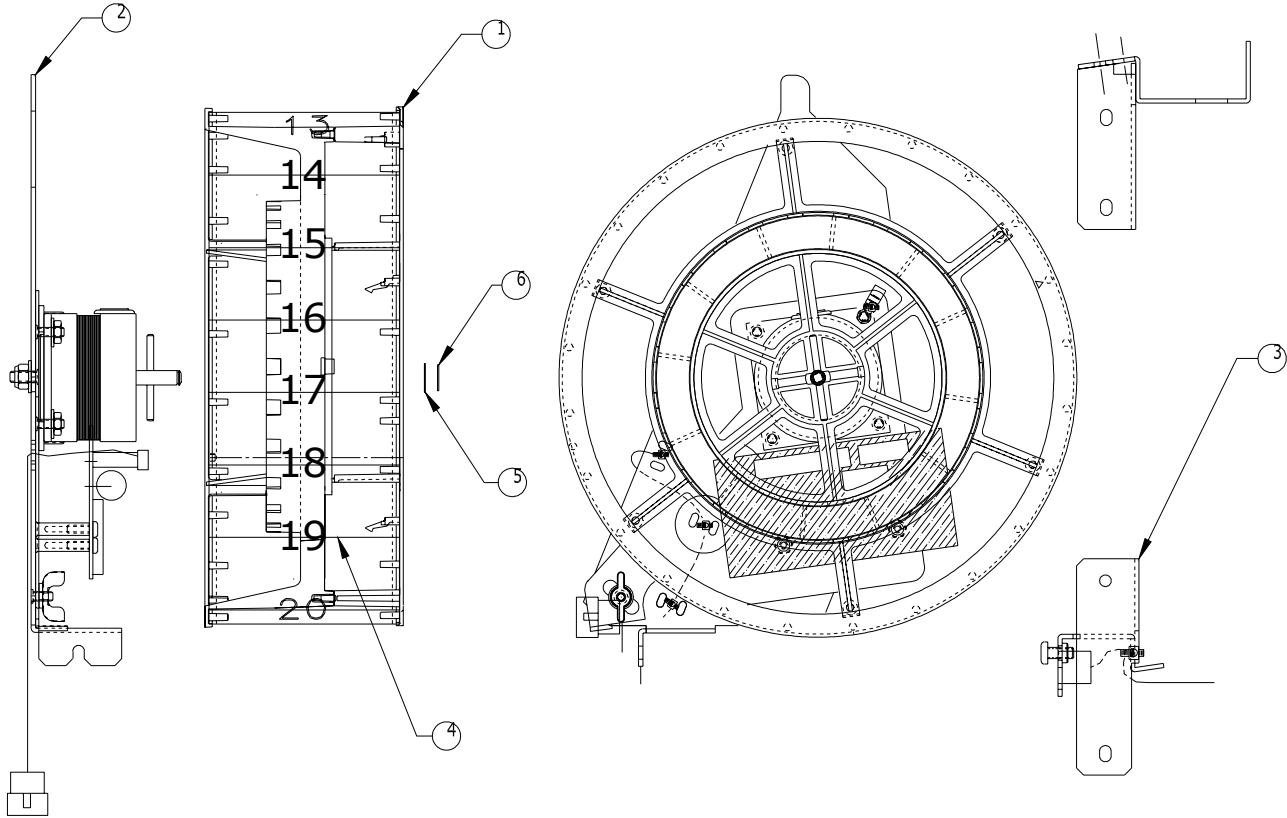
Reel Mechanism Assembly AS-04716-(SERIES)

Slant /  S6E

Slant

AVAILABILITY:

P/N	DESCRIPTION
AS-04716-0006	3-Reel Mechanism
AS-04716-0009	4-Reel Mechanism



REF	PART #	DESCRIPTION	QTY	PART #
1	AS-04234-0004	Assembly, Reel, 9-Inch	3	0006 0009
2	AS-04235-0009	Assembly, Reel Drive, 9-Inch	3	0006 0009
3	AS-04703-0009	Assembly, 4 Reel Support, Lower	1	0009
4	M-01777-5617	Adhesive, Double-Sided Tape, 1/4W	A/R	0006 0009

REF	PART #	DESCRIPTION	QTY	PART #
5	P-00801-0676	Washer, .255ID x .500D x .007 Thk	3	0006 0009
6	P-02891-0006	Retaining Ring, .281 shaft x .025 Thk	3	0006 0009

## Reel Mechanism Assembly

AS-04716-0011

S6E

REF	PART #	DESCRIPTION	QTY
1	AS-04234-0004	Assembly, Reel, 9-Inch	3
2	AS-04235-0009	Assembly, Reel Drive, 9-Inch	3
3	AS-04703-0014	Assembly, 3 Reel Bracket/Cable	1
4	M-01777-5617	Adhesive, Double-Sided Tape, 1/4W	A/R

REF	PART #	DESCRIPTION	QTY
5	M-03092-0006	Reel Drive, 9-Inch Wide	3
6	P-00801-0676	Washer, .255ID x .500D x .007 Thk	3
7	P-02891-0006	Retaining Ring, .281 shaft x .025 Thk	3



## ProSlant® 6000 / 6000E

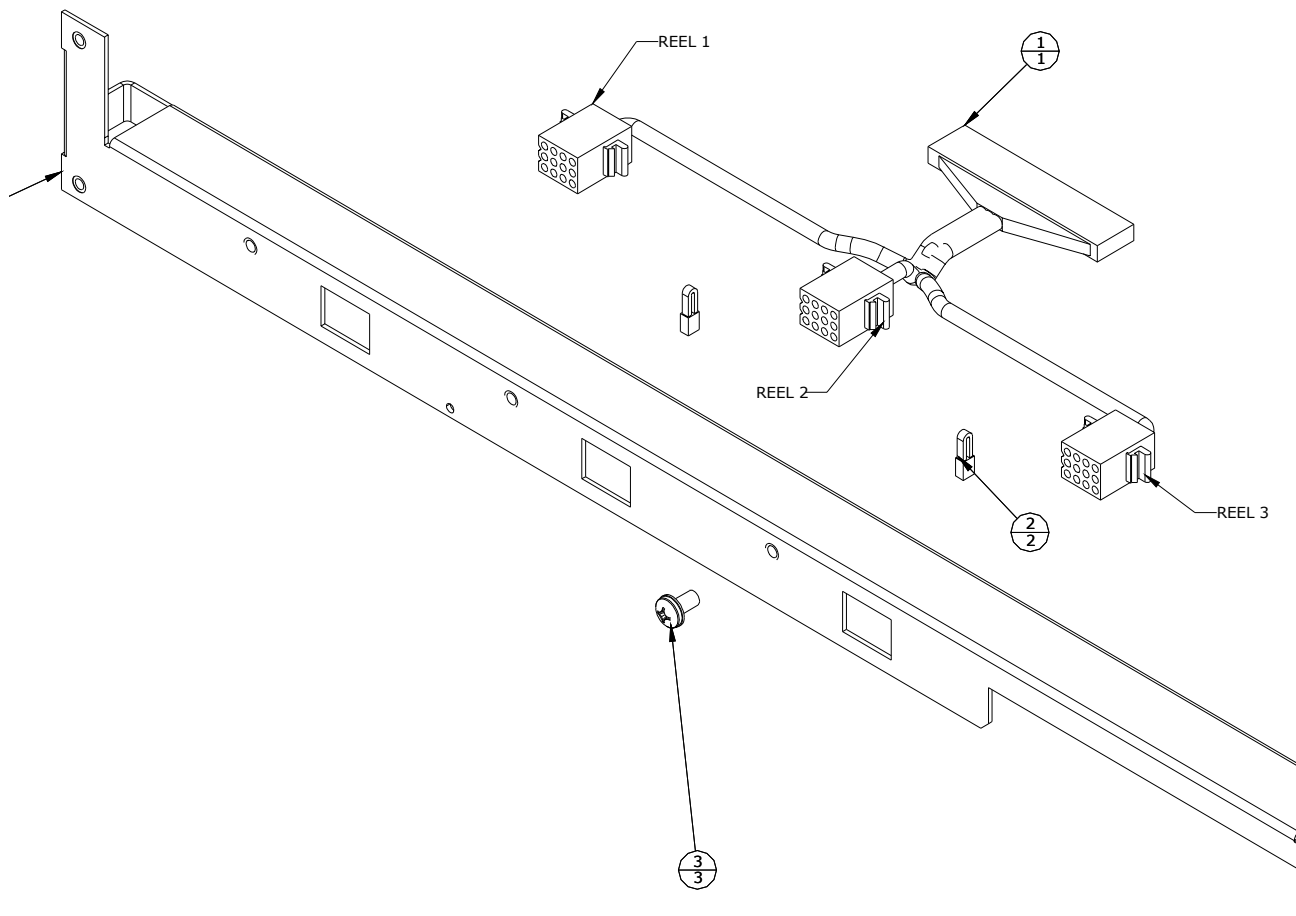
Reel Support, Cable and Bracket AS-04703-(SERIES)

Slant /  S6E

Reel Support, Cable and Bracket

AS-04703-000X

Slant



REF	PART #	DESCRIPTION	QTY	PART #
1	AS-04234-0004	Assembly, Reel, 9-Inch	3	0006
				0009
2	AS-04235-0009	Assembly, Reel Drive, 9-Inch	3	0006
				0009
3	AS-04703-0009	Assembly, 4 Reel Support, Lower	1	0009
4	M-01777-5617	Adhesive, Double-Sided Tape, 1/4W	A/R	0006
				0009

REF	PART #	DESCRIPTION	QTY	PART #
5	P-00801-0676	Washer, .255ID x .500D x .007 Thk	3	0006
				0009
6	P-02891-0006	Retaining Ring, .281 Shaft x .025 Thk	3	0006
				0009

**AVAILABILITY:**

PART #	DESCRIPTION
AS-04703-0008	Reel Support, Cable and Bracket, 3-Reel
AS-04703-0009	Reel Support, Cable and Bracket, 4-Reel

Reel Support, Cable and Bracket

AS-04703-0014

S6E

REF	PART #	DESCRIPTION	QTY
1	CBL-30709-0001	Cable, 3 Reel	1
2	E-00108-0363	Switch, Push Button Momentary	2
3	E-00647-0004	Tie Wrap	6

REF	PART #	DESCRIPTION	QTY
4	LBL-00246-0006	Label, Test/Pseudo Coin	1
5	MSP-01032-1106	Screw, Machine Phil Pan Hd	3
6	P-06004-0198	Reel Shelf	1

# ProSlant® 6000 / 6000E

## Door Assembly

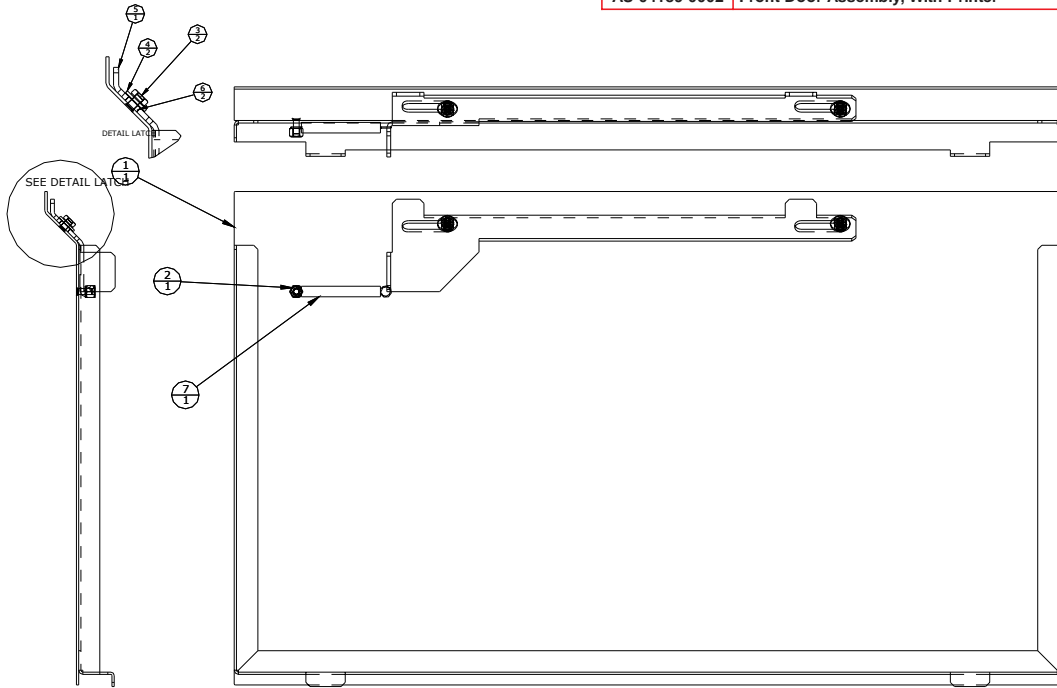
Front Door Assembly

AS-04189-(SERIES)

☑ Slant

AVAILABILITY:

PART #	DESCRIPTION
AS-04189-0001	Front Door Assembly
AS-04189-0002	Front Door Assembly, With Printer



REF	PART #	DESCRIPTION	QTY	PART #
1	A-07901-0005	Cabinet, Front Door Assembly	1	0001
	A-07901-0006	Cabinet, Front Door Assembly	1	0002
2	M-00319-0001	Elastic, Stop Nut (ESNA)	1	0001
				0002
3	NLS-01032-1112	Hex Nut	2	0001
				0002
4	P-00800-0006	Spacer	2	0001
				0002

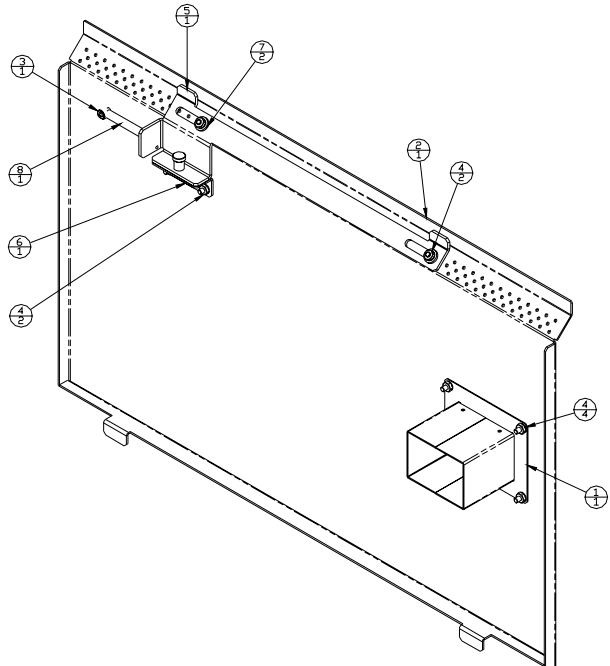
REF	PART #	DESCRIPTION	QTY	PART #
5	P-06004-0039	Bar, Front Door Latch	1	0001
				0002
6	S-00231-1002	Spacer	2	0001
				0002
7	SP-00100-0021	Spring, Extension	1	0001
				0002

Front Door Assembly

AS-08750-0002

☑ S6E

REF	PART #	DESCRIPTION	QTY
1	A-04995-0001	Exhaust Duct	1
2	A-08750-0004	Door, Front Cabinet	1
3	M-00319-0001	Elastic, Stop Nut (ESNA)	1
4	NLS-01032-1112	Hex Nut	8
5	P-08750-0016	Lock Bar, Front Door	1
6	P-08750-0017	Bracket, Lock Pin	1
7	S-00231-1022	Shoulder Washer	2
8	SP-00100-0021	Spring, Extension	8



## ProSlant® 6000 / 6000E

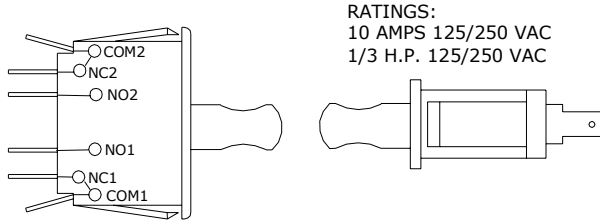
Door Switch E-00108-(SERIES)  
 Slant /  S6E

Door Switch, Push/Pull  
 | E-00108-0384

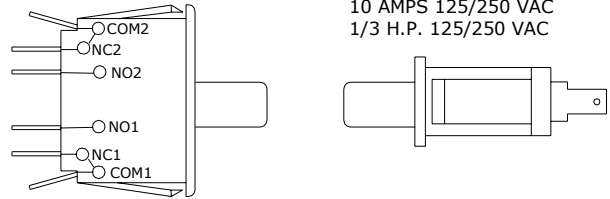
Slant /  S6E

Door Switch, Push  
 | E-00108-0385

Slant /  S6E

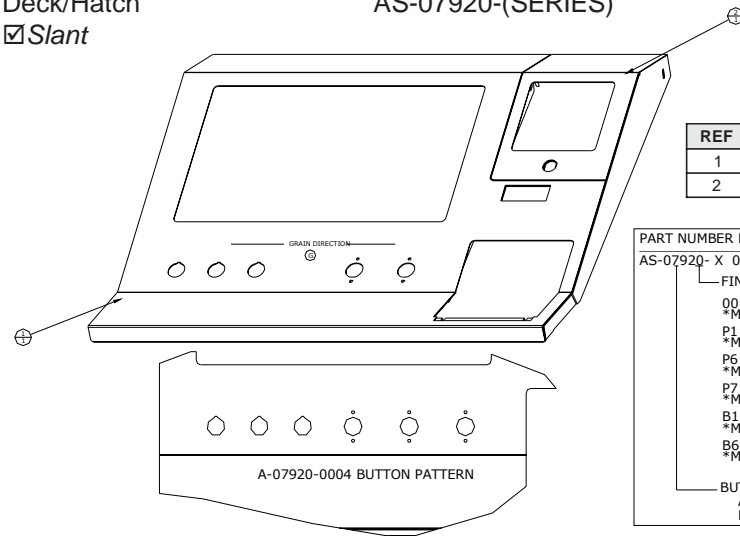


RATINGS:  
 10 AMPS 125/250 VAC  
 1/3 H.P. 125/250 VAC



RATINGS:  
 10 AMPS 125/250 VAC  
 1/3 H.P. 125/250 VAC

Deck/Hatch AS-07920-(SERIES)  
 Slant



REF	PART #	DESCRIPTION	QTY
1	A-07920-0001	Assembly, Deck, Slot (or A-07920-0004)	1
2	A-07920-0002	Assembly, Deck Hatch	1

PART NUMBER DESCRIPTION  
 AS-07920- X 0 XX  
 FINISH OPTION (\*APPLIES TO SKINS ONLY)  
 00 - 99: POWDER COATED (PER DWG. PC-SPEC-0001, TABLE "A").  
 \*MATERIAL TYPE: CRS PER CURRENT INDUSTRY STANDARDS  
 P1 - P5: POLISHED AND PLATED (PER DWG. MET-SPEC-0002).  
 \*MATERIAL TYPE: CRS PER CURRENT INDUSTRY STANDARDS, BRIGHT POLISHED.  
 P6: POLISHED STAINLESS STEEL  
 \*MATERIAL TYPE: CLARK METALS #10 T-304 S.S.  
 P7: TITANIUM GOLD  
 \*MATERIAL TYPE: MIRROR POLISH PVC T304 TITANIUM GOLD, .039 THK.  
 B1 - B5: BRUSHED AND PLATED (PER DWG. MET-SPEC-0002).  
 \*MATERIAL TYPE: CRS PER CURRENT INDUSTRY STANDARDS, #4 FINISH.  
 B6: BRUSHED STAINLESS STEEL  
 \*MATERIAL TYPE: 304 SS, #4 FINISH.  
 BUTTON PATTERN  
 A: STANDARD SLOT  
 B: RING THE BELL

AVAILABILITY:

PART #	DESCRIPTON
AS-07920-A000	No Finish
AS-07920-A001	White
AS-07920-A002	Black
AS-07920-A005	Gold Vein
AS-07920-A006	Sun Gold
AS-07920-A007	Black River
AS-07920-A009	Gold Rush
AS-07920-A013	Black
AS-07920-A014	Penny Vein

PART #	DESCRIPTON
AS-07920-A033	ELW505S9
AS-07920-A073	Copper Vein
AS-07920-A079	Silver Vein
AS-07920-A0B2	Brushed Brass/Stainless Steel
AS-07920-A0B6	Brushed Stainless Steel
AS-07920-A0P6	Polished Stainless Steel
AS-07920-A0P7	Titanium Gold
AS-07920-B001	White, Bell Ringer
AS-07920-B005	Gold Vein, Bell Ringer

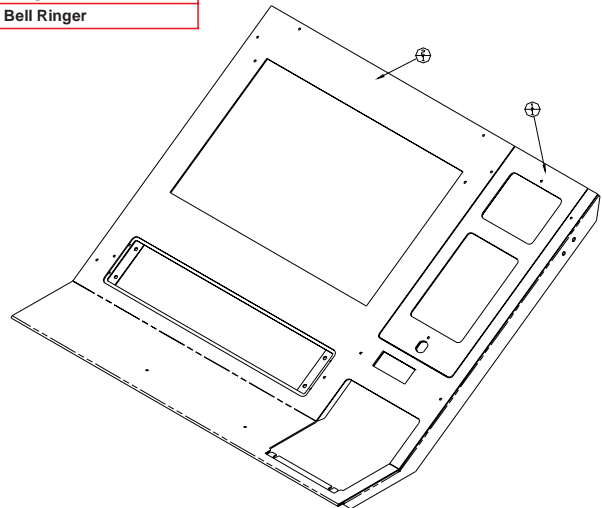
PART #	DESCRIPTON
AS-07920-B006	Sun Gold, Bell Ringer
AS-07920-B007	Black, Bell Ringer
AS-07920-B033	White, Bell Ringer
AS-07920-B073	Copper Vein, Bell Ringer
AS-07920-B079	Silver Vein, Bell Ringer
AS-07920-B0P6	Polished Stainless Steel, Bell Ringer
AS-07920-B0P7	Gold, Bell Ringer

Deck/Hatch AS-08759-(SERIES)  
 S6E

REF	PART #	DESCRIPTION	QTY
1	A-08759-0001	Assembly, Deck Weld	1
2	A-8740-0002	Assembly, Bill Acceptor Hatch	1

AVAILABILITY:

PART #	DESCRIPTON
AS-08759-0005	Assembly, Deck/Bill Acceptor Hatch
AS-08759-00P1	Assembly, Deck/Bill Acceptor Hatch
AS-08759-00P4	Assembly, Deck/Bill Acceptor Hatch

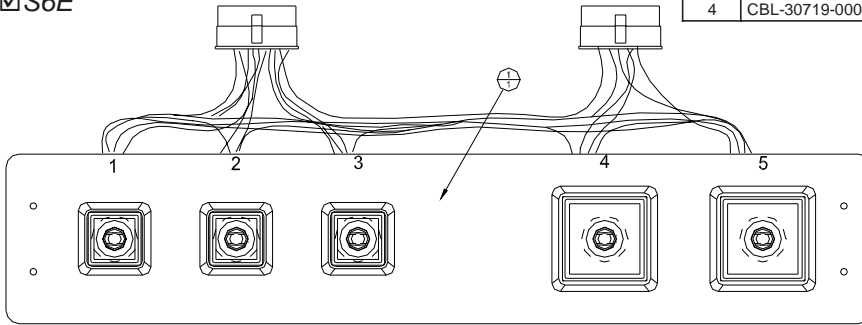


# ProSlant® 6000 / 6000E

## Door Assembly

Five Button Deck (Player Panel) AS-08757-05XX  
 S6E

REF	PART #	DESCRIPTION	QTY
1	A-08757-SERIES	Plate, Deck 5 Button	1
2	BH-04572-0001	Switch, Push Button, 1-Inch Square	3
3	BH-04573-0001	Switch, Push Button, 2-Inch Square	2
4	CBL-30719-0001	Cable, Upper Reel Light	1



BUTTON WIRING (ITEM 4)	
BUTTON 1 CHANGE	BL-1 WT GY/RD-1 BK
BUTTON 2 CASH CREDIT	BL-1 WT/GY GY/RD-1 BK/GY
BUTTON 3 BET ONE	BL-1 WTBR GY/RD-1 BKBR
BUTTON 4 SPIN	BL-1 WTBL GY/RD-1 BKBL
BUTTON 5 BET MAX	BL-1 WTRD GY/RD-1 BKRD

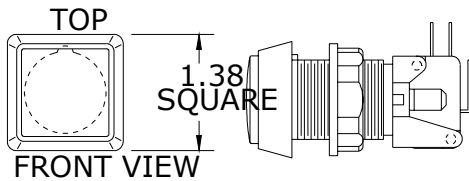
PART NUMBER LEGEND	
AS-08757-00	XX
FINISH OPTION	
P1 THRU P5	
POLISHED & PLATED ASY (PERDRAWING MET-SPEC-0002)	
B1 THRU B5	
BRUSHED & PLATED ASY (PER DRAWING MET-SPEC-0002, #4 FINISH)	
01 THRU 99	
POWDER COAT PER DRAWING PC-SPEC-0001	

Happ Switch, Square  
 Slant

AS-0457X-(SERIES)

Happ Switch, Square  
AS-04572-(SERIES)

Slant



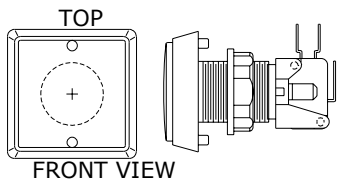
### LEGEND ORIENTATION

#1	#2	#3	#4	#5	#6
XXXX	XXXX XXXX	XXXX XXXX	XXXX XXXX XXXX	X X X X	XXXX XXXX XXXX

PART #	LENS CAP COLOR (TRANSPARENT)	LEGEND MESSAGE	ENGLISH TRANSLATION	LEGEND ORIENTATION	LANGUAGE	LEGEND PLATE COLOR
AS-04572-0001	Clear	Change		1	English	Red
AS-04572-0002	Clear	Cash Out		2	English	White
AS-04572-0003	Clear	Bet One		2	English	White
AS-04572-0007	Clear	Cash/Credit		3	English	White
AS-04572-0009	Clear	Service	Change	1	English/French	Red
AS-04572-0010	Clear	Misez/1	Bet One	2	English/French	White
AS-04572-0011	Clear	Caisse	Cash/Credit	1	English/French	White
AS-04572-0026	Clear	Mise/1/Bet	Bet One	4	Canadian French/English	White
AS-04572-0027	Clear	Monnaie/Change	Change	2	Canadian French/English	Red
AS-04572-0028	Clear	Paiement/Credit	Cash/Credit	2	Canadian French/English	White
AS-04572-0029	Clear	Cambio	Change	1	English/Spanish	Red
AS-04572-0030	Clear	Apuesta Uno	Bet One	2	English/Spanish	White
AS-04572-0032	Clear	Pago/Credito	Cash/Credit	3	English/Spanish	White

Happ Switch, Square, 2-Inch  
 AS-04573-(SERIES)

Slant



### LEGEND ORIENTATION

#1	#2	#3	#4
XXXX	XXXX XXXX	XXXX XXXX	XXXX XXXX XXXX

PART #	LENS CAP COLOR (TRANSPARENT)	LEGEND MESSAGE	ENGLISH TRANSLATION	LEGEND ORIENTATION	LANGUAGE	LEGEND PLATE COLOR
AS-04573-0001	Clear	Spin		1	English	White
AS-04573-0002	Clear	Bet Max		2	English	White
AS-04573-0003	Clear	Jouez	Spin	1	English/French	White
AS-04573-0004	Clear	Pari/Max	Bet Max	2	English/French	White
AS-04573-0007	Clear	Mise Max/Bet Max	Bet Max	4	East Canadian French/English	White
AS-04573-0008	Clear	Jouez/Spin	Spin	2	East Canadian French/English	White
AS-04573-0009	Clear	Girar	Spin	1	English/Spanish	White
AS-04573-0010	Clear	Apuesta Maxima	Betmax	2	English/Spanish	White

## ProSlant® 6000 / 6000E

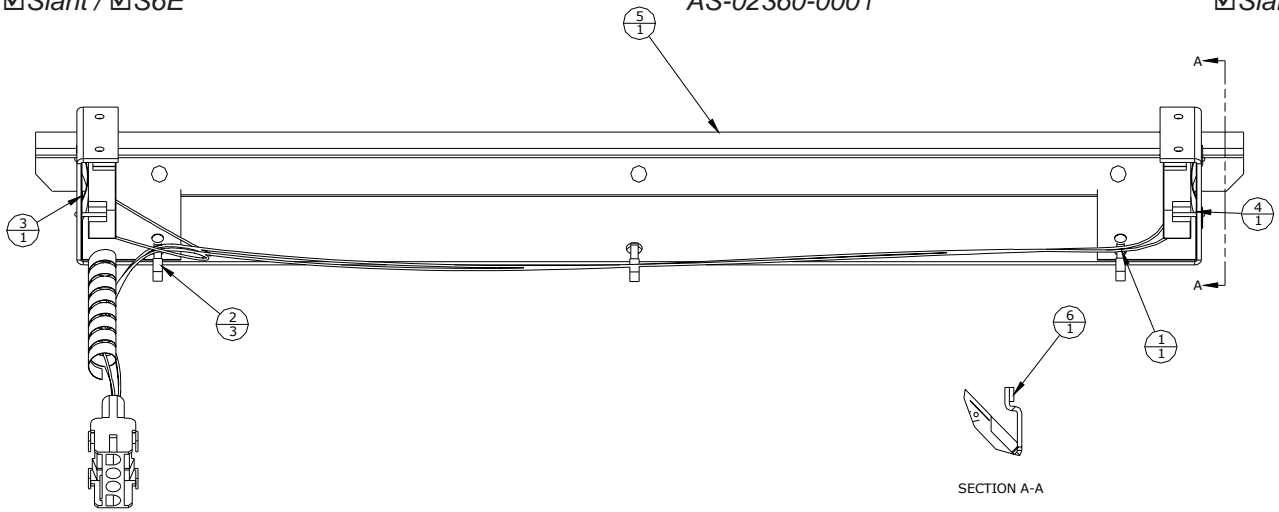
### Door Assembly

Light Assembly  
 Slant /  S6E

AS-02360-(SERIES)

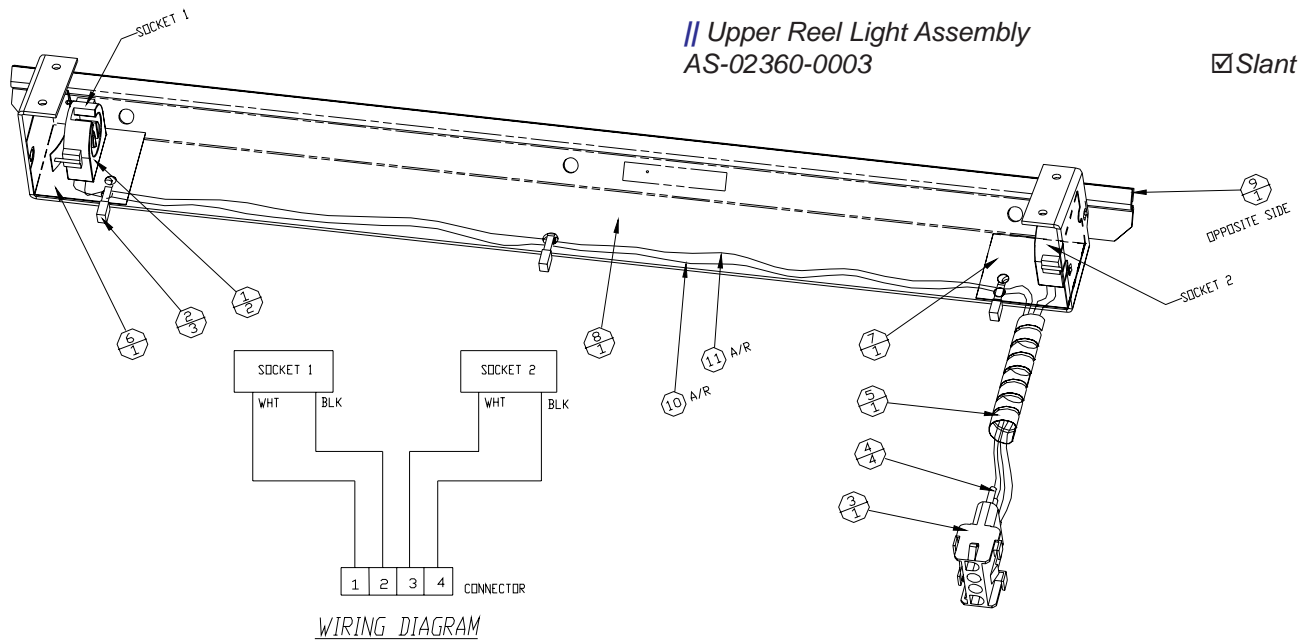
// Upper Reel Light Assembly  
 AS-02360-0001

Slant



REF	PART #	DESCRIPTION	QTY
1	CBL-30250-0001	Cable, Upper Reel Light	1
2	E-00647-0004	Tie Wrap	3
3	P-00150-0290-1	Insulator, Part # P-00150-0290	1

REF	PART #	DESCRIPTION	QTY
4	P-00150-0290-2	Insulator, Part # P-00150-0290	1
5	P-06004-0045	Bracket, Slot Upper Lamp	1
6	R-00553-0037	Gasket, 1/16 x 3/16 x 16.375, 1-Sided	1



// Upper Reel Light Assembly  
 AS-02360-0003

Slant

REF	PART #	DESCRIPTION	QTY
1	E-00120-0266-1	Socket, Fluorescent Lamp CE97	2
2	E-00647-0004	Tie Wrap	3
3	E-00804-0004	Connector Housing Cap	1
4	E-00807-0006	Contact Pin, Amp 24-18	4
5	M-01777-5602-2	Spiral Wrap	1
6	P-00150-0290-1	Insulator, Part # P-00150-0290	1

REF	PART #	DESCRIPTION	QTY
7	P-00150-0290-2	Insulator, Part # P-00150-0290	1
8	P-06004-0045	Bracket, Slot Upper Lamp	1
9	R-00553-0037	Gasket, 1/16 X 3/16 X 16.375 1-Sided	1
10	WIP-ES202-1850	PVC, Solid 18 AWG, White	--
11	WIP-ES202-1880	PVC, Solid, 18 AWG, Black	--

# ProSlant® 6000 / 6000E

## Door Assembly

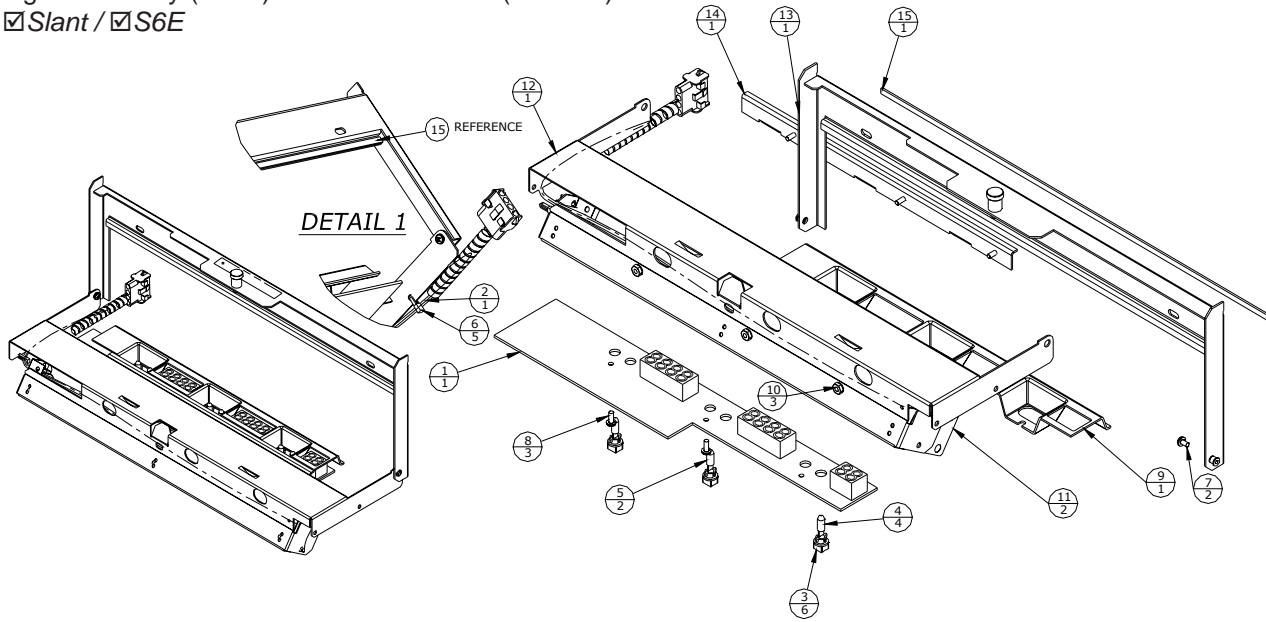
Light Assembly (Cont.)

Slant /  S6E

AS-02360-(SERIES)

Win Meter / Reel Light Assembly  
AS-02360-0002

Slant

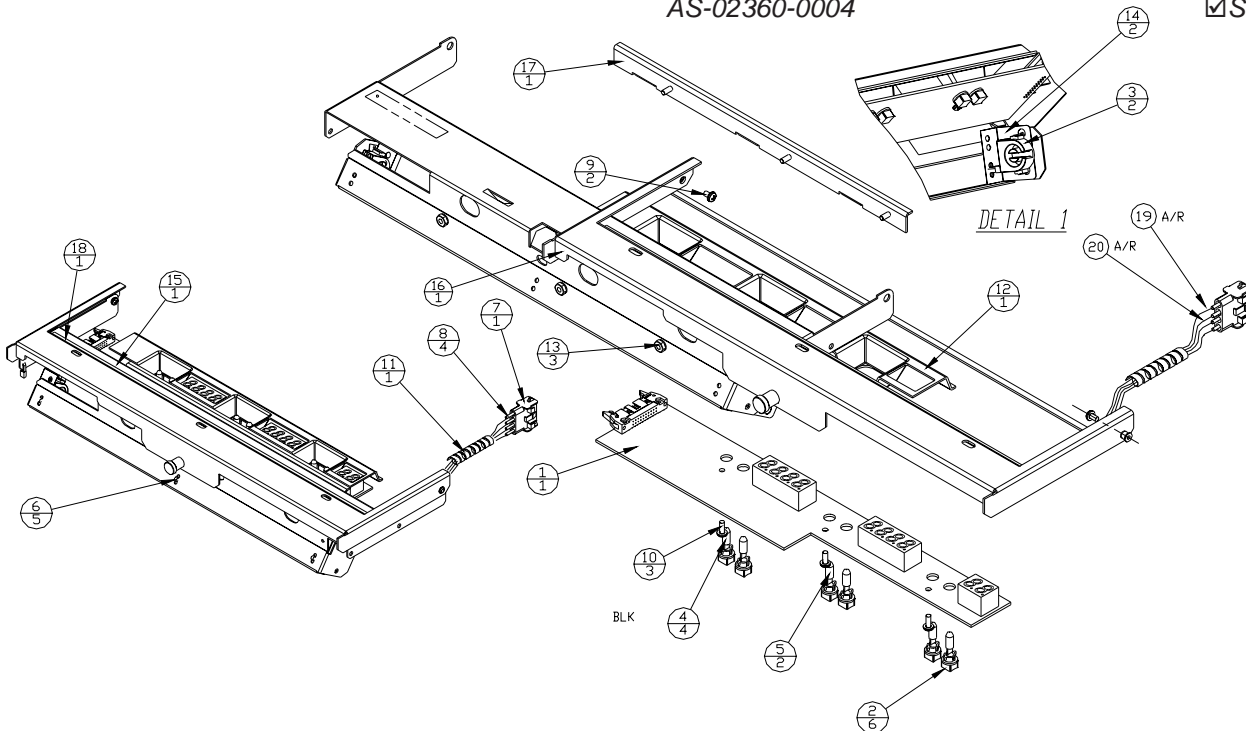


REF	PART #	DESCRIPTION	QTY
1	AS-03356-0525	Assembly, Display Board	1
2	CBL-30249-0001	Cable, Upper Reel Light	1
3	E-00120-0264	Socket, Lamp, Wedge Base, 1-1 3/4	6
4	E-00125-0084	Lamp, Incandescent, #86, 6.3V	4
5	E-00125-0099	Lamp, Incandescent, #74, 14V	2
6	E-00647-0004	Tie Wrap	5
7	LSPP-00632-1104	Screw, Mach With Lock Phil Pan Hd	2
8	LSPP-00632-1106	Screw, Mach With Lock Phil Pan Hd	3

REF	PART #	DESCRIPTION	QTY
9	M-06001-0003	Light Shield, Win Meter	1
10	NLS-00632-1112	Hex Nut	3
11	P-00150-0302	Insulator, Polycarbonate, CE97	2
12	P-06004-0046	Bracket, Win Meter/Light	1
13	P-06004-0065	Bracket, Reel Glass, Lower	1
14	P-09319-0426	Bracket, Win Meter Mounting	1
15	R-00553-0037	Gasket, 1/16 X 3/16 X 16.375, 1-Sided	1

|| Win Meter / Reel Light Assembly  
AS-02360-0004

S6E



## ProSlant® 6000 / 6000E

### Door Assembly

Light Assembly (Cont.) AS-02360-(SERIES)

Slant /  S6E

// Win Meter / Reel Light Assembly

AS-02360-0004

S6E

REF	PART #	DESCRIPTION	QTY
1	AS-03356-0623	Display Board Assembly	1
2	E-00120-0264	Socket, Lamp, Wedge Base, 1-1 3/4	6
3	E-00120-0266-1	Socket, Fluorescent Lamp CE97	2
4	E-00125-0084	Lamp, Incandescent, #86, 6.3V	4
5	E-00125-0099	Lamp, Incandescent, #74, 14V	2
6	E-00647-0004	Tie Wrap	5
7	E-00804-0004	Connector Housing Cap	1
8	E-00807-0006	Contact Pin, Amp 24-18	2
9	LSPP-00632-1104	Screw, Mach With Lock Phil Pan Hd	2
10	LSPP-00632-1106	Screw, Mach With Lock Phil Pan Hd	3

REF	PART #	DESCRIPTION	QTY
11	M-01777-5602-2	Spiral Wrap	1
12	M-06001-0003	Light Shield, Win Meter	1
13	NLS-00632-1112	Hex Nut	3
14	P-00150-0302	Insulator, Polycarbonate CE97	2
15	P-06004-0046	Win Meter/Light Bracket	1
16	P-06004-0065	Reel Glass, Lower Bracket	1
17	P-09319-0426	Win Meter Mounting Bracket	1
18	R-00553-0037	Gasket, 1/16 X 3/16 X 16.375 1-Sided	1
19	WIP-ES202-1850	PVC, Solid, 18 AWG, White	--
20	WIP-ES202-1880	PVC, Solid, 18 AWG, Black	--

# ProSlant® 6000 / 6000E

## System Panels

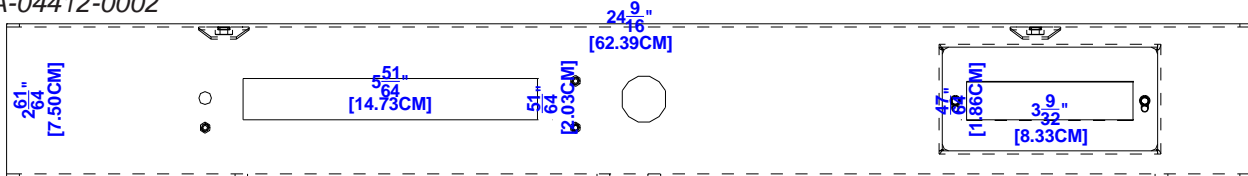
### || A-044XX-(SERIES) / P-08600-FFXX

☑ Slant / ☑ S6E

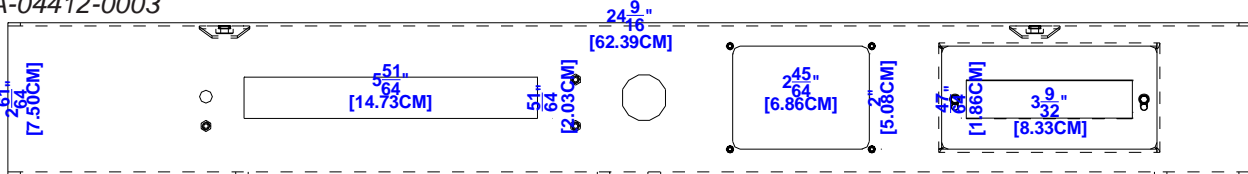
PART #	DESCRIPTION	SL	S6E
A-04454-0002	AGI Reader/Display	X	
P-08600-FF14	AGI, Magnetic Reader/Display		X
P-08600-FF24	AGI, Reader/16x2 Display/Keypad		X
A-04412-0005	AGI, Reader/Keypad/16 X 2 Display	X	
A-04412-0007	AGI, Reader/Keypad/16 X 2 Display (Not Shown)	X	
A-04412-0003	AGI/IGS, 3-Inch Keypad	X	
P-08600-FF19	AGI/IGS, Magnetic Reader/Display/Button/Keypad		X
A-04412-0004	AGI/IGS, New Keypad	X	
A-04412-0002	AGI/IGS, Reader/Display/Button Panel	X	
A-04456-0002	Blank	X	
P-08600-FF07	Blank		X
A-04472-0002	Blank, 3-Inch	X	
A-04451-0002	CDS Optical/Magnetic OSII	X	
P-08600-FF04	CDS, OSII, Magnetic Reader		X
P-08600-FF03	CDS, SENII, Magnetic Reader		X

PART #	DESCRIPTION	SL	S6E
A-04415-0002	EDT PT-M400	X	
P-08600-FF02	EDT PT -M400		X
A-04468-0002	GSI Reader/16-Digit LED	X	
A-04486-0002	MGM 2.5-Inch	X	
P-08600-FF10	Mikohn Reader/Display/Keypad		X
A-04483-0002	Mikohn, Reader/Display/Keypad	X	
P-08600-FF12	Sands Reader/Display/Keypad		X
P-08600-FF16	SDS Component		X
P-08600-FF01	SDS DMK Keypad		X
P-08600-FF06	SDS EPI Reader/Display/Keypad		X
A-04420-0002	SDS, Keypad	X	
A-04487-0002	SDS/EPI, Reader/Display/3-Button/2 X 6 Keypad	X	
A-04490-0002	SMS Systems Panel	X	
A-04490-00P4	SMS Systems Panel	X	

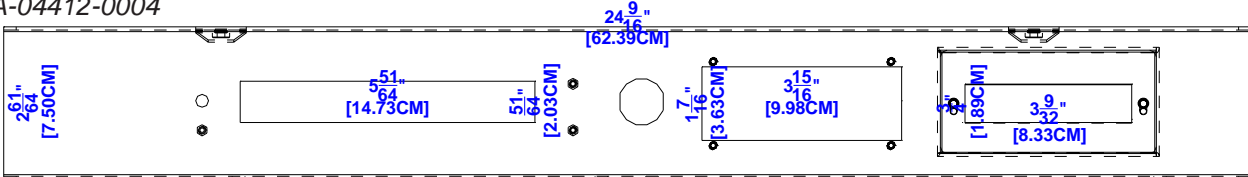
A-04412-0002



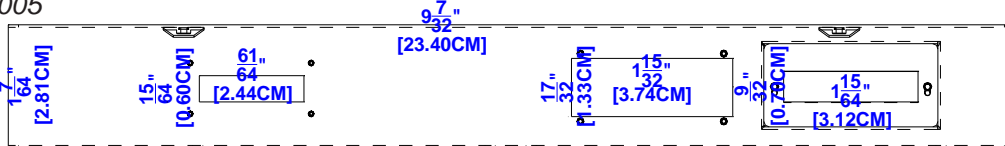
A-04412-0003



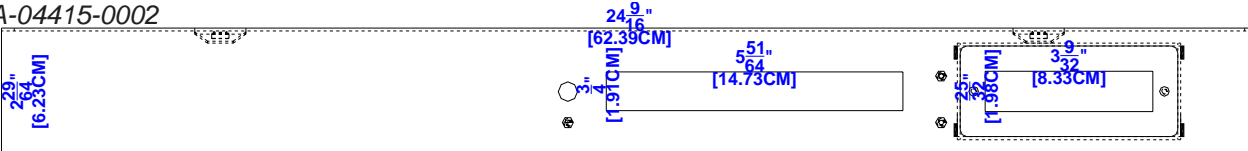
A-04412-0004



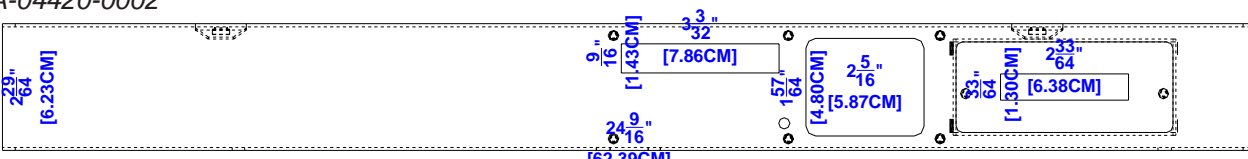
A-04412-0005



A-04415-0002



A-04420-0002



\*Illustrations not to scale.



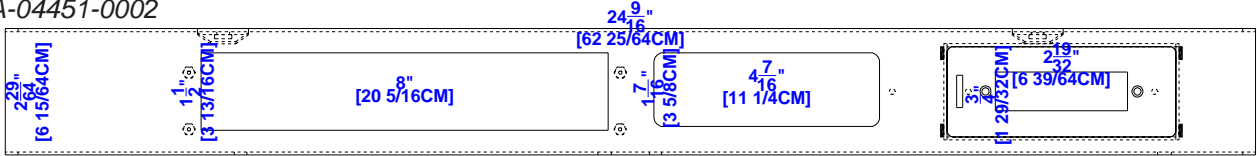
## ProSlant® 6000 / 6000E

### System Panels (Cont.)

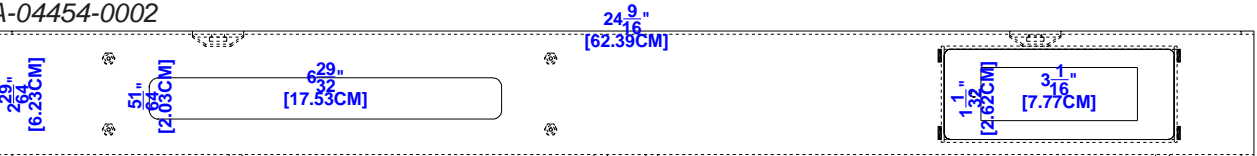
#### || A-044XX-(SERIES) / P-08600-FFXX

☑ Slant / ☑ S6E

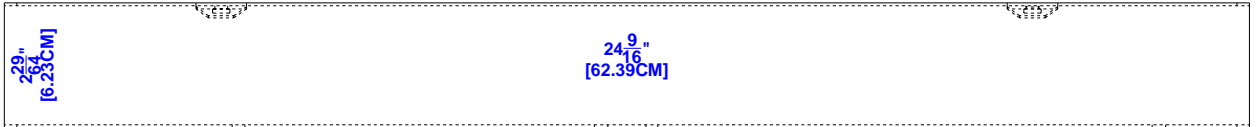
A-04451-0002



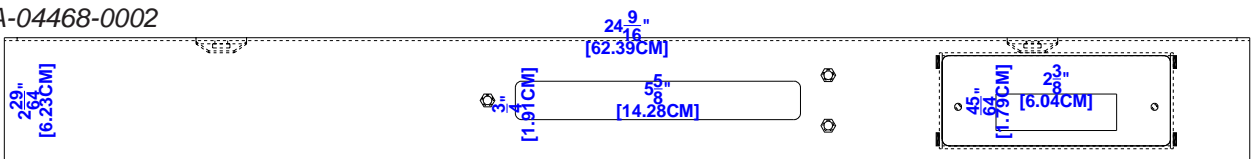
A-04454-0002



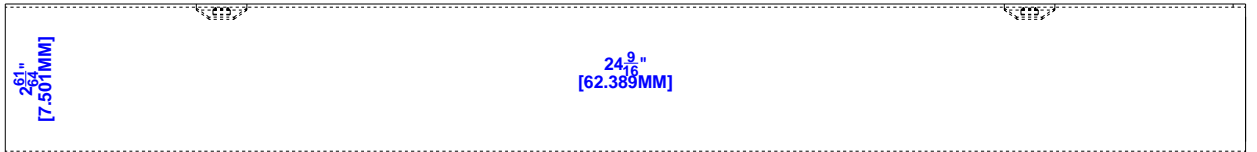
A-04456-0002



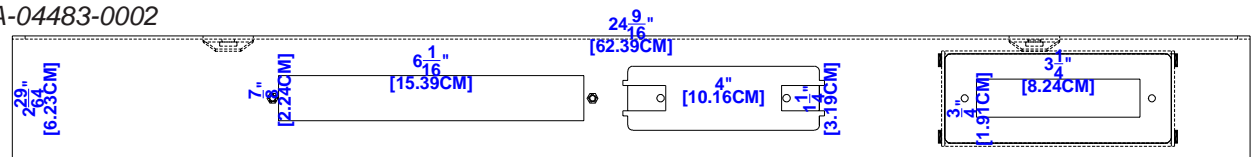
A-04468-0002



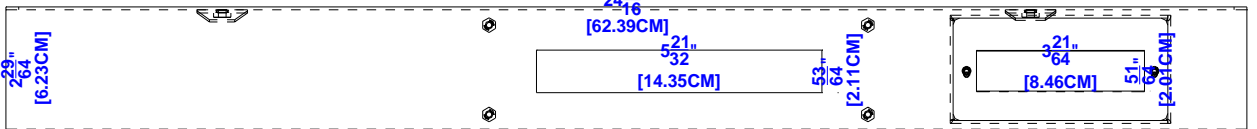
A-04472-0002



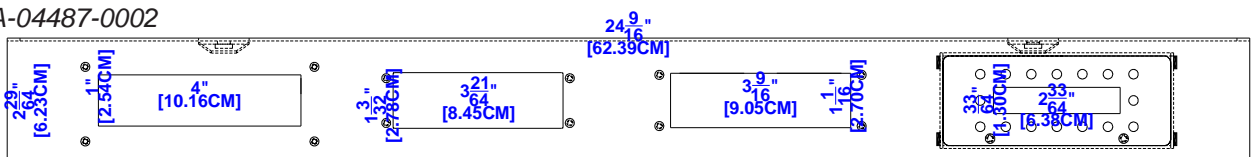
A-04483-0002



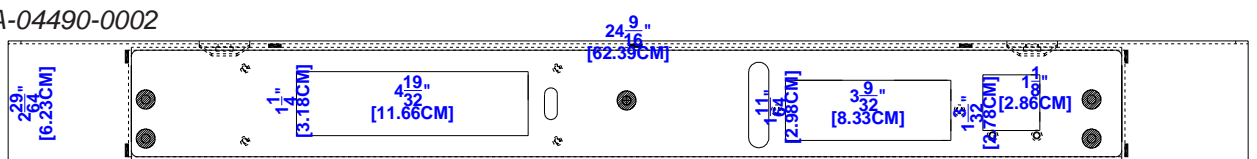
A-04486-0002



A-04487-0002



A-04490-0002



\*Illustrations not to scale.

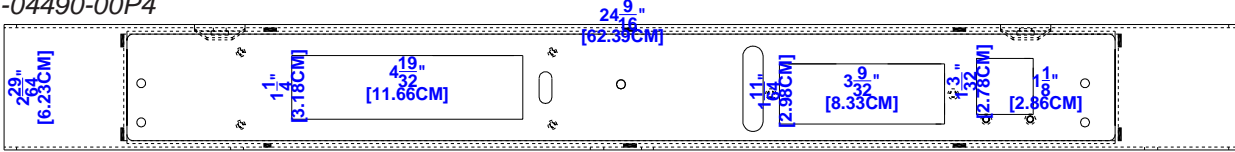
# ProSlant® 6000 / 6000E

## System Panels (Cont.)

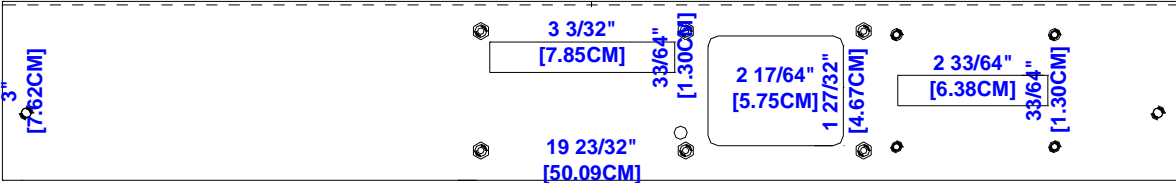
|| A-044XX-(SERIES) / P-08600-FFXX

☑ Slant / ☑ S6E

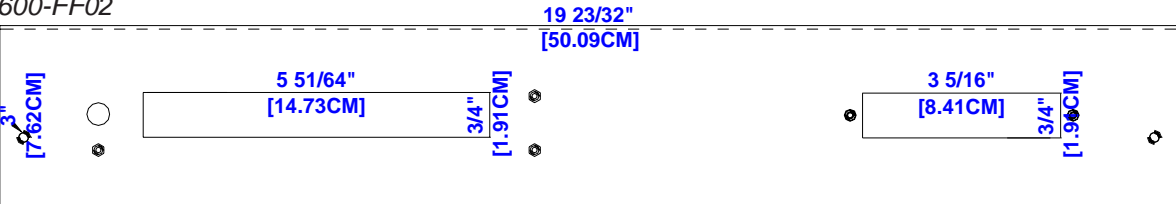
A-04490-00P4



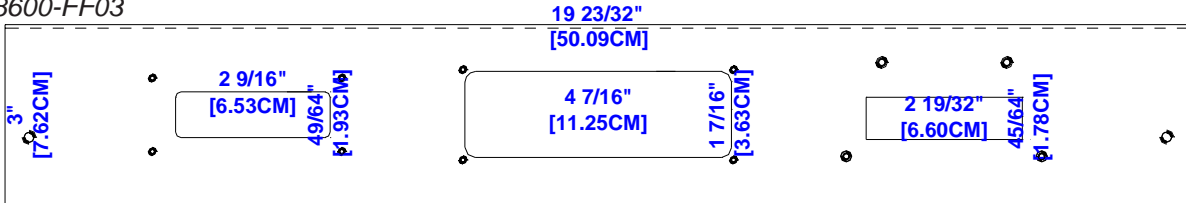
P-08600-FF01



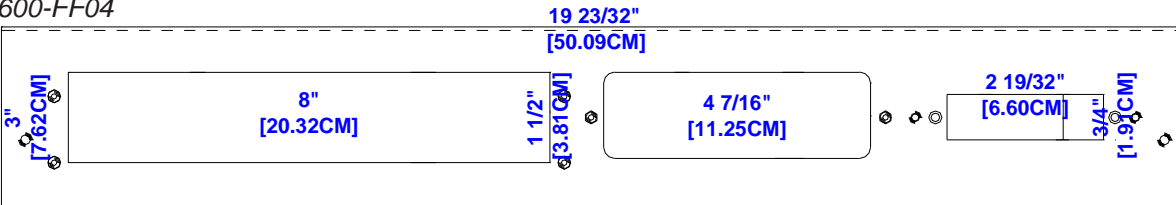
P-08600-FF02



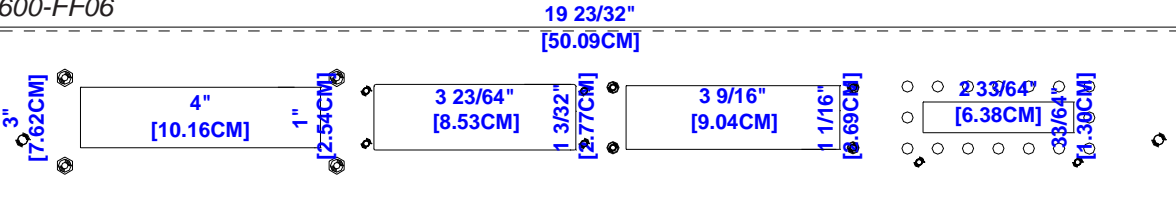
P-08600-FF03



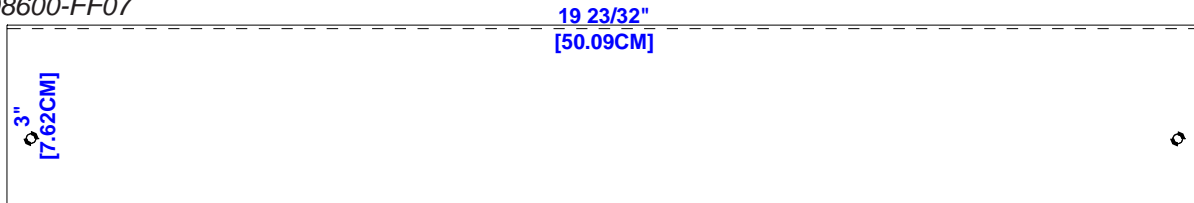
P-08600-FF04



P-08600-FF06



P-08600-FF07



\*Illustrations not to scale.

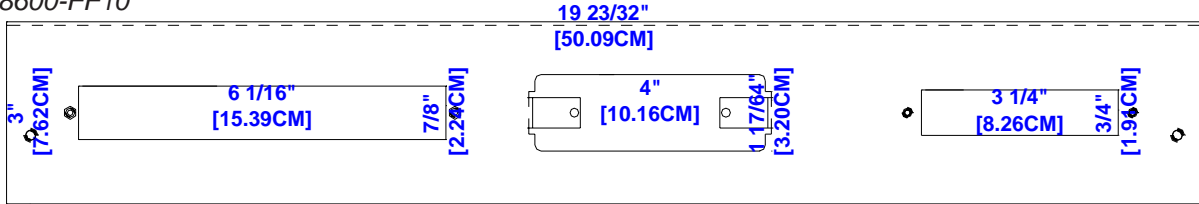
## ProSlant® 6000 / 6000E

### System Panels (Cont.)

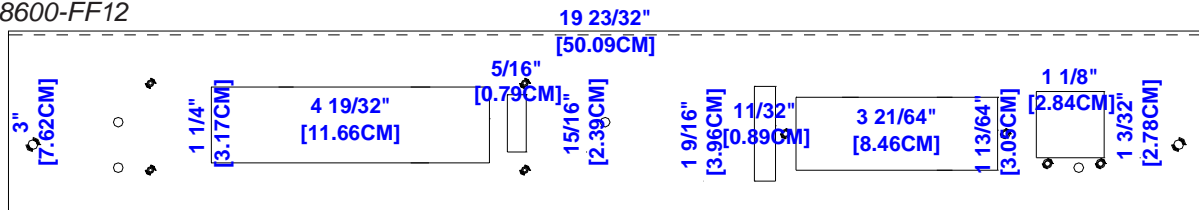
|| A-044XX-(SERIES) / P-08600-FFXX

☑ Slant / ☑ S6E

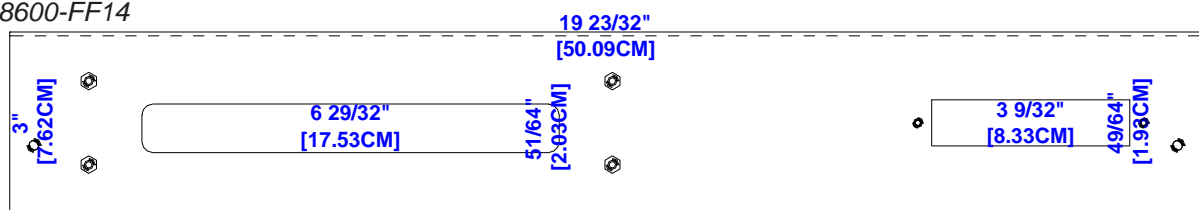
P-08600-FF10



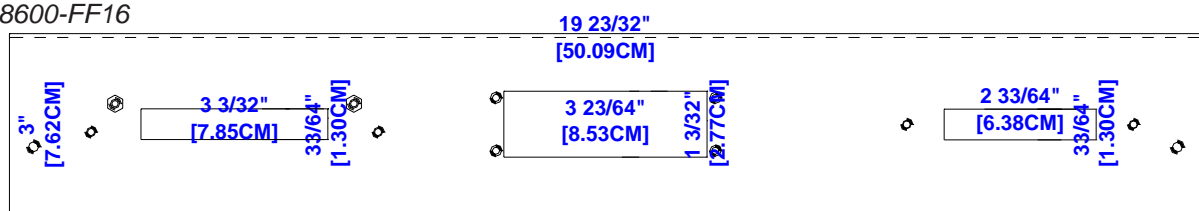
P-08600-FF12



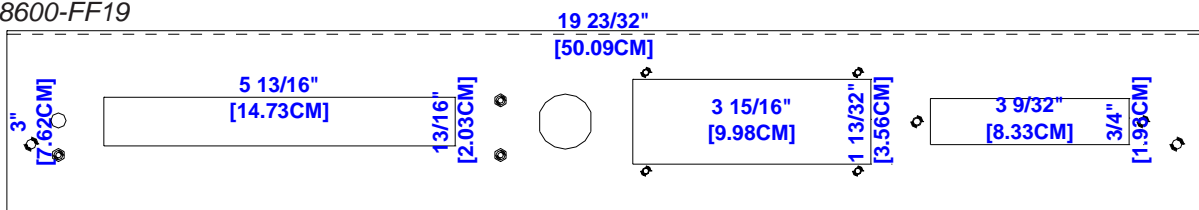
P-08600-FF14



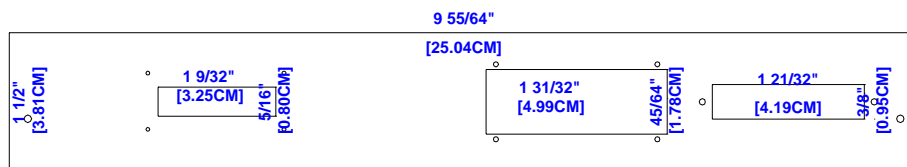
P-08600-FF16



P-08600-FF19



P-08600-FF24



\*Illustrations not to scale.

## Part Number Structure

Parts used in Bally Gaming, Inc., equipment are identified with PART #s stamped into, or physically attached. The PART #s are usually 15 characters including the dashes in the pattern:

**1 2 3 4 – 1 2 3 4 5 – 1 2 3 4**

The following PART # prefixes serve to classify the parts:

PREFIX	DESCRIPTION
A	PARTS ASSEMBLED BY STAKING, RIVETING, OR WELDING
AS	PARTS ASSEMBLED WITHOUT MACHINING OPERATIONS
C	CASTINGS, FORGING, EXTRUSIONS, MOLDED PARTS, COILS
CA	CABINET AND WOOD PARTS
CBL	CABLES
E	ELECTRICAL COMPONENT
G	RAW AND SCREENED GLASS PARTS
K	KITS
M	MISCELLANEOUS
N	NUT
P	FABRICATED PARTS
R	RUBBER PARTS
S	SCREW MACHINE PARTS
SP	SPRINGS
WIP	WIRE

Fasteners follow the following convention:

**PP D H - SSS TT - M F LL**

### PP

PP	FASTENER DESCRIPTION	PP	FASTENER DESCRIPTION
AB	SHEET METAL TYPE AB	PC	SET SCREW CONE POINT
CB	CARRIAGE BOLT	PT	CAMCAR "FASTITE" THREAD
CP	SET SCREW CUP POINT		
CS	CAP SCREW	RL	ROLOX SCREW
DS	DRILL SCREW	SA	SHEET METAL TYPE A
FP	SET SCREW FLAT POINT	SB	SHEET METAL TYPE B
HL	HILO THREAD FOR PLASTIC	SF	SWAGE FORM
KP	SET SCREW KNURLED	SL	SHEET METAL TYPE L
LS	MACHINE SCREW WITH LOCK WASHER	SM	SEEMBLEX THREAD FORM
		SW	MACHINE SCREW TYPE 23
LT	MACHINE SCREW WITH INTERNAL LOCK WASHER	SX	SQUARE FLO
		SY	MACHINE SCREW TYPE 25
MF	MACHINE SCREW TYPE F	SZ	SHEET METAL TYPE Z
MS	MACHINE SCREW	TC	THREAD FORM TYPE C
NL	MACHINE SCREW WITH EXTERNAL LOCK WASHER	TF	THREAD FORM RL, TT, SF, C
		TT	"CAMCAR TAPTITE" THREAD
NM	MACHINE SCREW WITH THREADED PATCH	WO	SET SCREW W POINT
NS	"NYLOK" MACHINE SCREW	WS	WOOD SCREW

### D

D	DRIVE	D	DRIVE	D	DRIVE
O	NONE	B	BUTTON	S	SLOTTED
A	ALLEN	P	PHILLIPS	H	HOLT

### H

H	HEAD		
A	WASHER HEAD ROUND	N	HEX HEAD, PIN-IN SOCKET
B	BINDING HEAD		
C	WASHER HEAD HEX	O	NONE
D	HEX HEAD INDENTED	P	PAN HEAD
E	KNURLED HEAD CAP	R	ROUND HEAD
F	FLAT HEAD	S	WASHER SERRATED HEX
G	FLAT HEAD (METRIC)		
H	HEX HEAD	T	TRUSS HEAD
J	WASHER REVERSED SERRATED HEX	U	BINDING HEAD UNDERCUT
K	FLAT HEAD, 100°	X	UNDERCUT FLAT HEAD
L	FILLSTER HEAD	Z	OVAL HEAD

### SSS

SSS	SIZE	SSS	SIZE	SSS	SIZE
002	2	010	10	500	1/2
003	3	012	12	M02	2MM
004	4	250	1/4	M03	3MM
005	5	312	5/16	M04	4MM
006	6	375	3/8	M25	2.5MM
0008	8	437	7/16		

### TT

TT	THREADS PER UNIT	TT	THREADS PER UNIT	TT	THREADS PER UNIT
00	0-WS	24	24 TPI	48	48 TPI
13	13 TPI	28	28 TPI	50	.5 TPMM
14	14 TPI	32	32 TPI	56	56 TPI
16	16 TPI	36	36 TPI	70	.7 TPMM
18	18 TPI	40	40 TPI		
20	20 TPI	45	.45MM		

### M

M	MATERIAL	M	MATERIAL	M	MATERIAL
1	STEEL	3	STAINLESS	5	PLASTIC
2	BRASS	4	ALUMINUM	6	NYLON

### F

F	FINISH	F	FINISH
0	NONE	5	ZINC, WAXED
1	ZINC	6	NICKEL, WAXED
2	ZINC, GOLD	7	BLUED
3	NICKEL	8	BLACK OXIDE
4	CHROMIUM	9	BLACK OXIDE, WAXED

### LL

LL	LENGTH	LL	LENGTH	LL	LENGTH
02	1/8"	10	5/8"	20	1 1/4"
03	3/16"	11	11/16"	22	1 3/8"
04	1/4"	12	3/4"	24	1 1/2"
05	5/16"	13	13/16"	28	1 3/4"
06	3/8"	14	7/8"	32	2"
07	7/16"	15	15/16"	48	3 1/4"
08	1/2"	16	1"	60	3 3/4"
09	9/16"	18	1 1/8"		

## ProSlot® 6000 and ProSlant® 6000 / 6000E Model Number

Bally Gaming Machines have an Identification Plate attached to the outside of the cabinet. Upright machines will have the plate in the lower left corner of the player's right-hand side. Slant top and bar top machines have it mounted under the arm rest in the upper right portion of the machine's Identification Platefront.

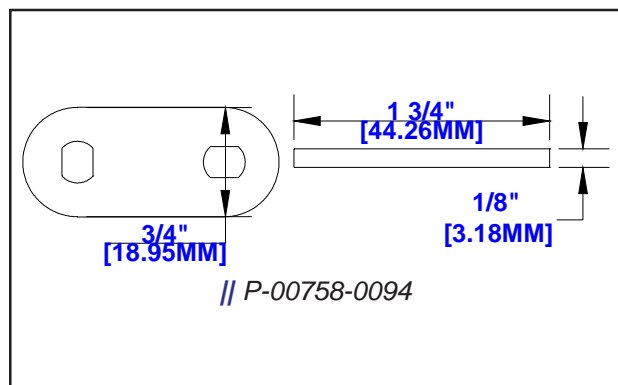
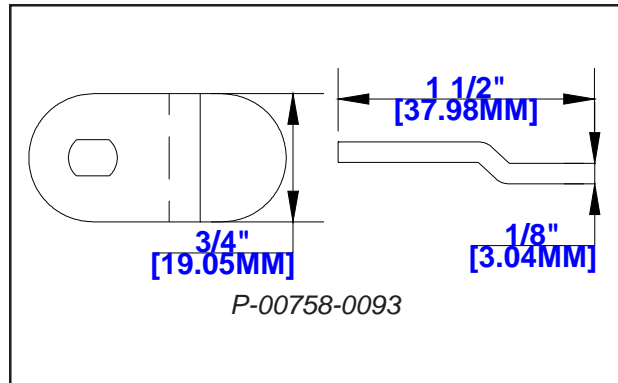
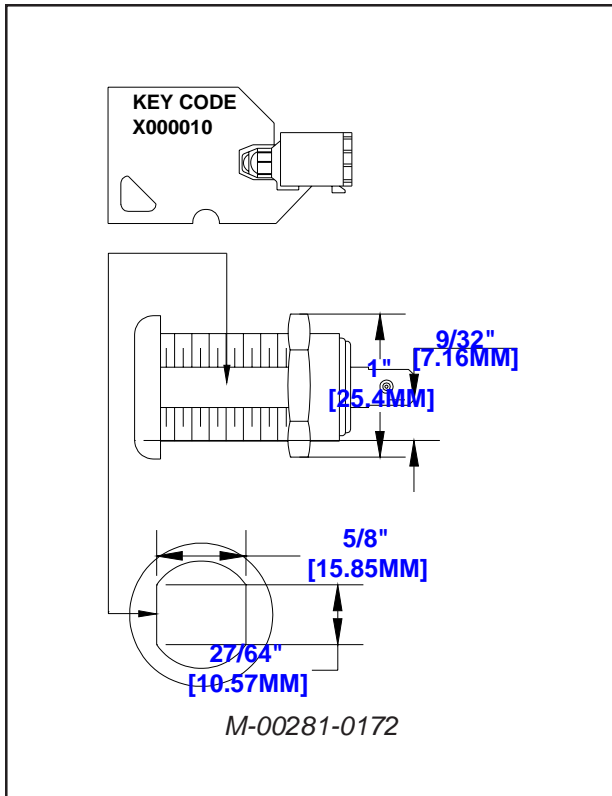
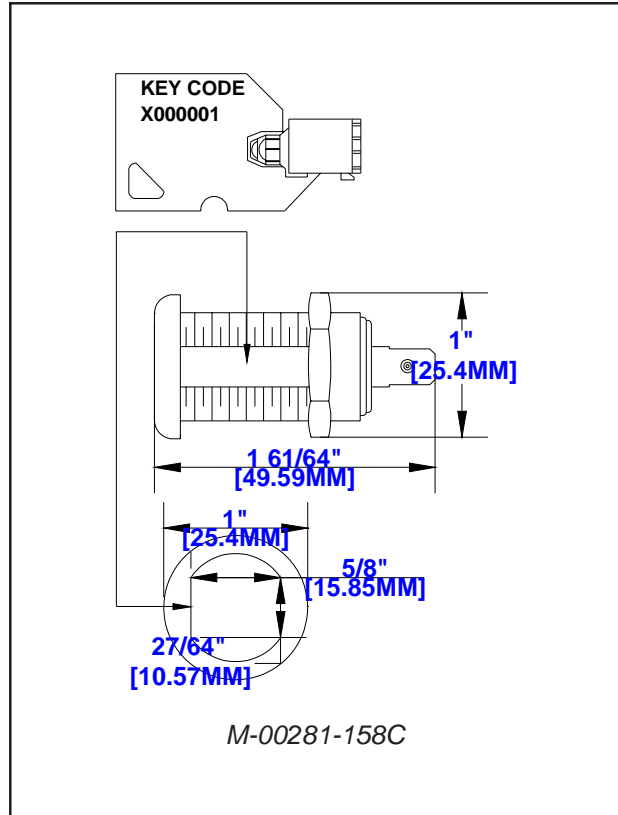
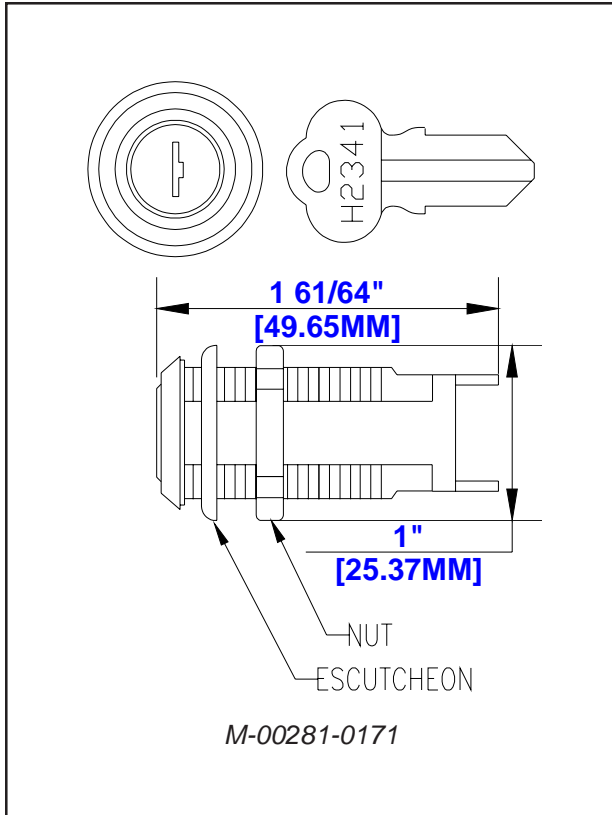


The Model Number consists of nine digits with the following convention:

Digit	Selection	Reference	Description
1	S	Product	Slot Product
2	6	Reel Software Series	Non-Uniform Symbol Distribution
3 & 4	2M 3M 3L 5L 2B 3B 4U	Game Theme	2 Coin Multiplier 3 Coin Multiplier 3 Pay Lines 5 Pay Lines 2 Coin Buy 3 Coin Buy Multiplier with Buy
5	3 4 5	Number of Reels	3 Reels 4 Reels 5 Reels
6 & 7	W6 C6 R6 BS B6 D6 M6 C6 R6 B0 D0 C0 R0 00	Cabinet Style	WT Style Upright Cabinet CT Style Upright Cabinet WR Style Upright Cabinet Anchor Big Slot® Slant Top with Standard Top Box Slant Top with Round Top Box MAPS® Top Box S6 Roll the Dice® S6 Bell Ringer® S55 S.T. with Standard Top Box S55 S.T. with Round Top Box Roll the Dice® Bell Ringer® No Top Box
8	F C P B E N 0 1 2	Peripherals (Bill Acceptor, Cash Cage™, Progressive)	Bill Acceptor Cash Cage™ Bill Acceptor & Progressive Bill Acceptor & Cash Cage™ Bill Acceptor, Cash Cage™, Prog. No B.A., No C. Cage™, No Prog. No Bill Acceptor, No Progressive S55 Bill Acceptor S55 Bill Acceptor & Progressive
9	0 1 2 3 4 5 6 7 8	Door, Deck, Top Box Finish	Chrome Polished Brass Chrome & Brass Black Nickel Polished Gold Powder Coating Polished Stainless Brushed Stainless Brushed Brass

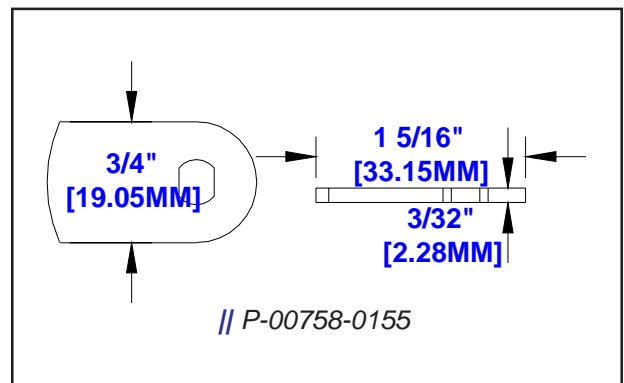
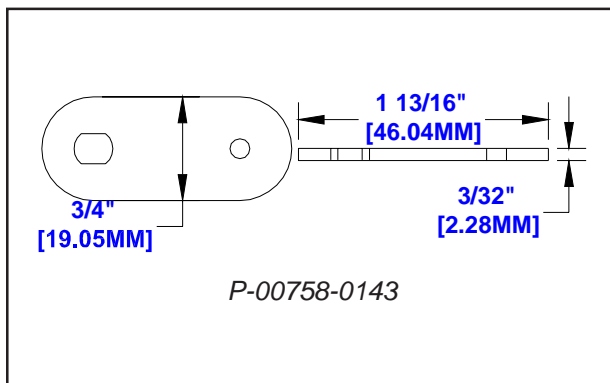
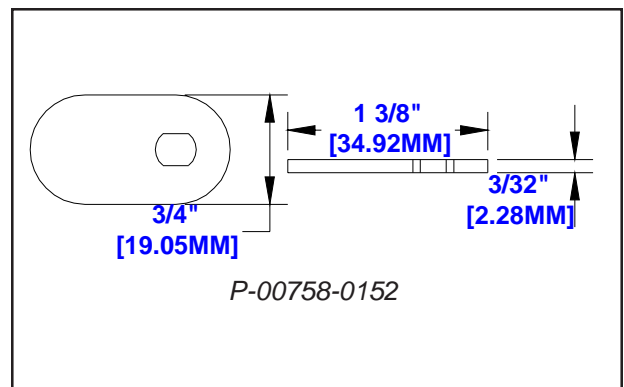
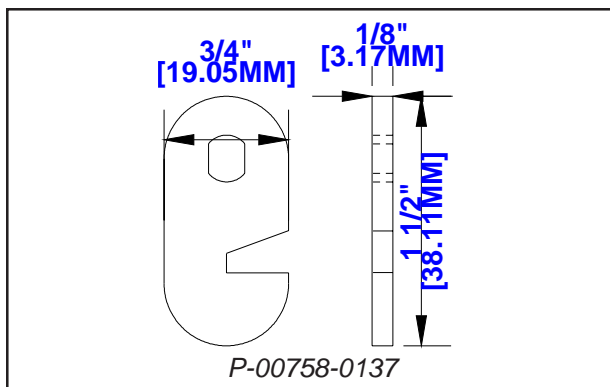
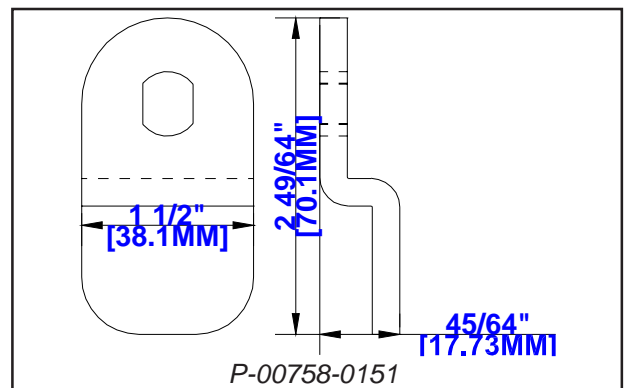
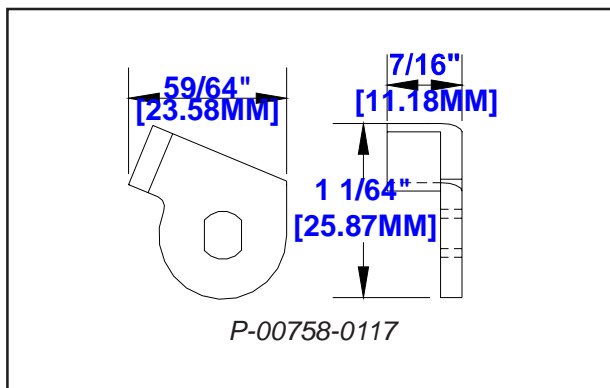
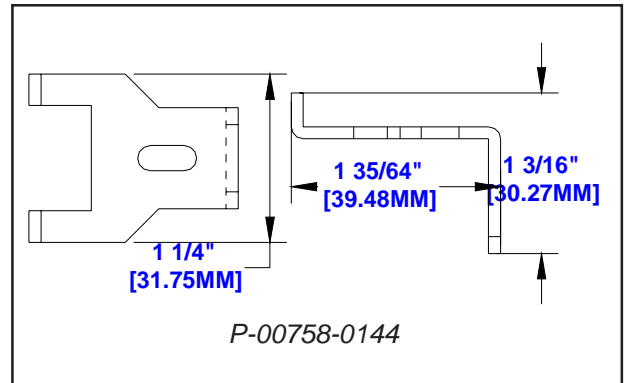
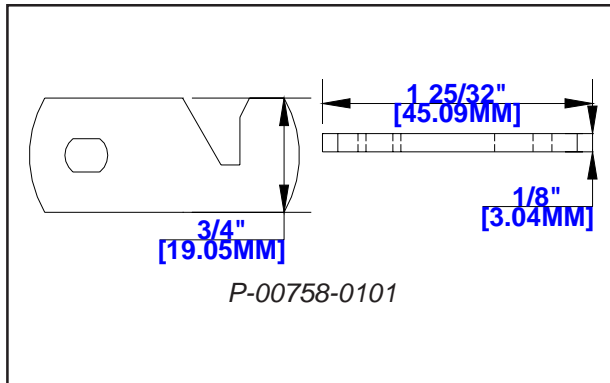
## Appendix A

### Lock and Cams



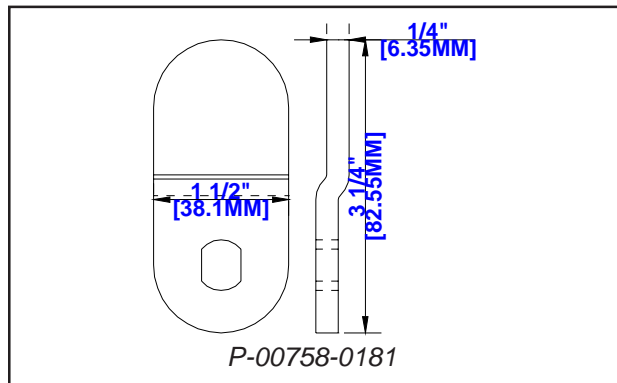
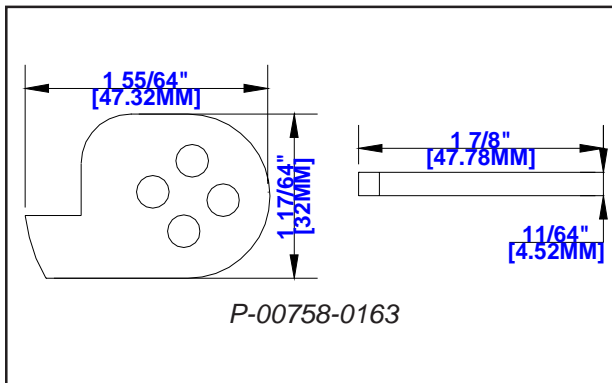
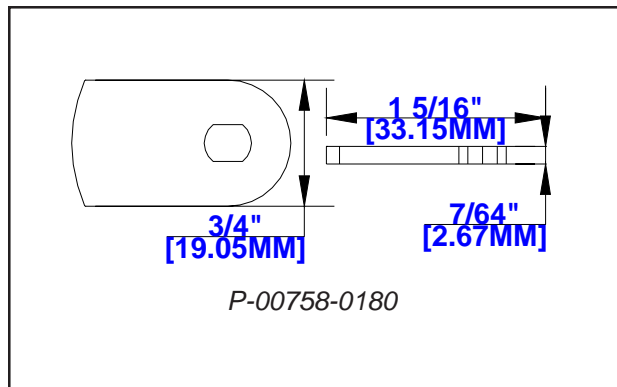
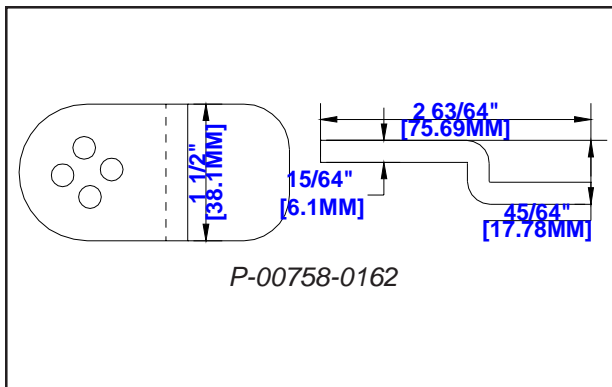
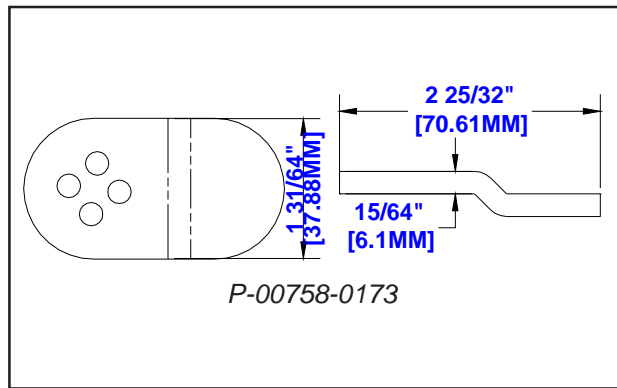
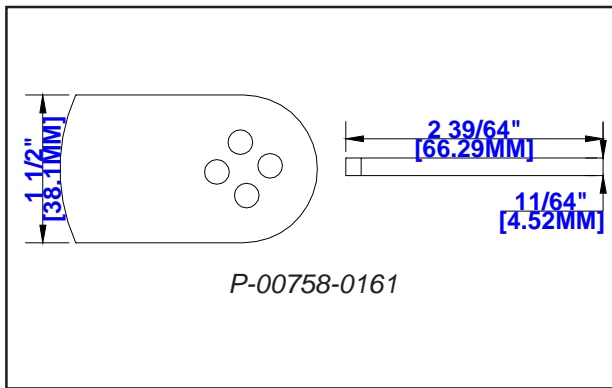
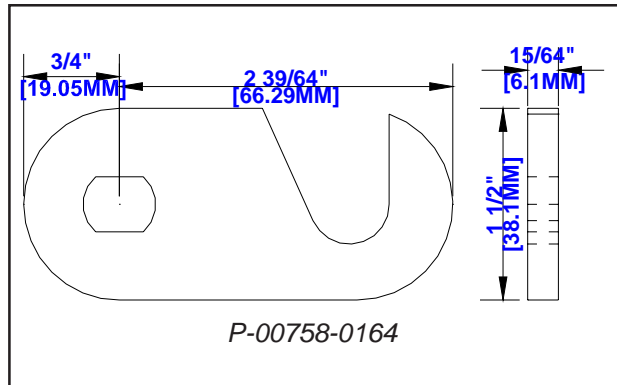
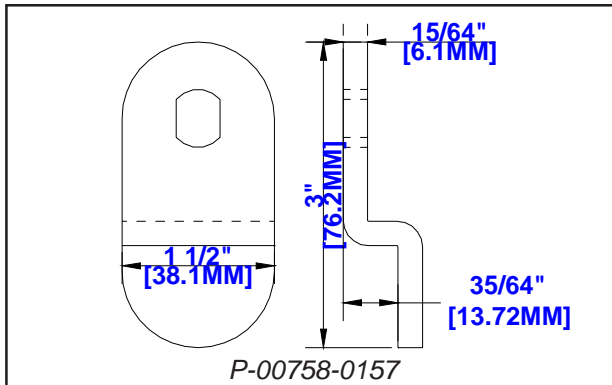
## Appendix A

### Lock and Cams (Cont.)



## Appendix A

### Lock and Cams (Cont.)





**Appendix A**

**Lock and Cams (Cont.)**

