



---

**ProSlot<sup>®</sup> 6000**

---

**MODULE 3B**

**MK3B-S6MOD-0001**

**Marquees**

©2003 BALLY GAMING, INC. ALL RIGHTS RESERVED

Bally Gaming and Systems

6601 South Bermuda Road, Las Vegas, NV 89119

For Customer Service and information, call or FAX:  
1-877-GO-BALLY (877-462-2559) in the U.S. and Canada  
+1-702-896-7772 outside the U.S.  
896-7772 in Las Vegas  
FAX: +1-702-896-7710  
or visit our website at <http://www.ballygaming.com>

# Module 3B - Marquees

## Table of Contents

---

<b>Cash for Life AS-04934-(SERIES)</b> .....	<b>3B-5</b>
Item 2 - Light Assembly, Dual Biax AS-03210-0112 .....	3B-6
Item 3 - Light Assembly, Single 39W Biax with Ballast AS-03210-0114 .....	3B-7
Item 4 - Light Assembly, Dual 27W Biax with Ballast AS-03210-0115 .....	3B-8
<b>Cash for Life, Non-Bonus AS-04955-(SERIES)</b> .....	<b>3B-9</b>
<b>Cash for Life, 3/4 Scale, Polished Chrome AS-02174-00P1</b> .....	<b>3B-11</b>
Item 2 - Power Supply, 110VAC/14VAC, 700mA AS-02982-0049 .....	3B-11
Item 3 - Ground Strap AS-03106-(SERIES) .....	3B-12
Item 4 - Light Bracket Assembly AS-04930-0001 .....	3B-12
Item 5 - Bezel and Circuit Board Assembly AS-04954-(SERIES) .....	3B-13
<b>Conehead AS-04946-00P1</b> .....	<b>3B-14</b>
<b>In the Money AS-08743-(SERIES)</b> .....	<b>3B-16</b>
Item 5 - Light Assembly, LP, Single 39W Biax with Ballast AS-03210-0125 .....	3B-17
Item 6 - Light Assembly, LP, 27W Dual Biax with Ballast AS-03210-0126 .....	3B-18
<b>To Tell the Truth AS-02170-(SERIES)</b> .....	<b>3B-19</b>
Item 2 - Bezel/Lens Assembly AS-02171-(SERIES) .....	3B-20
Item 5 - Fluorescent Lamp Assembly, Dual, 12-Inch AS-03210-0109 .....	3B-20
<b>Oval AS-02172-(SERIES)</b> .....	<b>3B-21</b>
Item 3 - Bezel Assembly AS-02173-(SERIES) .....	3B-22
<b>Round AS-04942-(SERIES)</b> .....	<b>3B-23</b>
<b>Rectangle AS-04943-(SERIES)</b> .....	<b>3B-24</b>
Item 6 - Light Assembly, Dual 39W Biax with Ballast AS-03210-0113 .....	3B-25
<b>Diamond AS-04952-(SERIES)</b> .....	<b>3B-26</b>
<b>Star AS-04932-(SERIES)</b> .....	<b>3B-27</b>



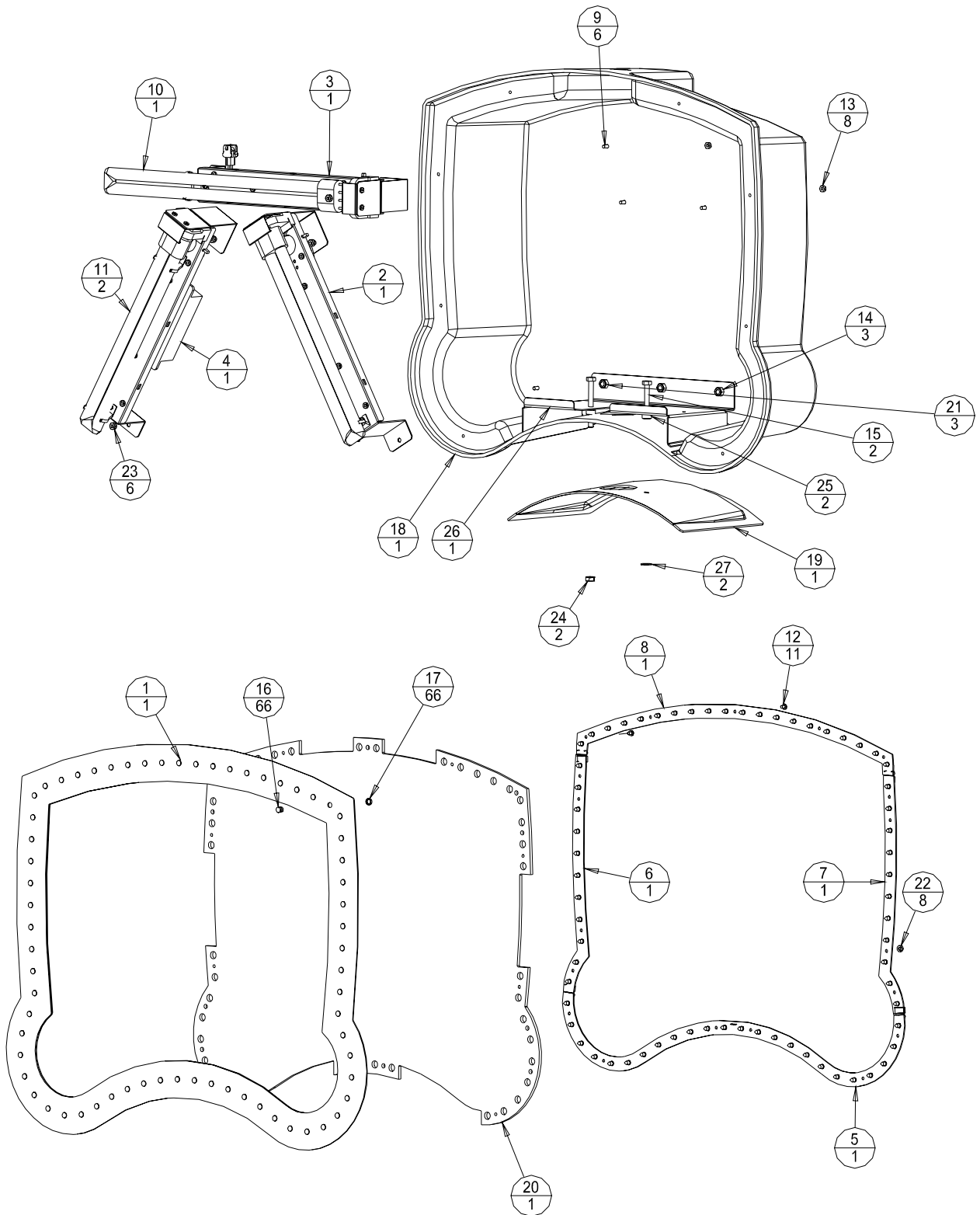
## ProSlot® 6000

Cash for Life

AS-04934-(SERIES)

AVAILABILITY:

PART #	DESCRIPTON
AS-04934-00P1	Cash for Life, Chrome
AS-04934-00P4	Cash for Life, Gold



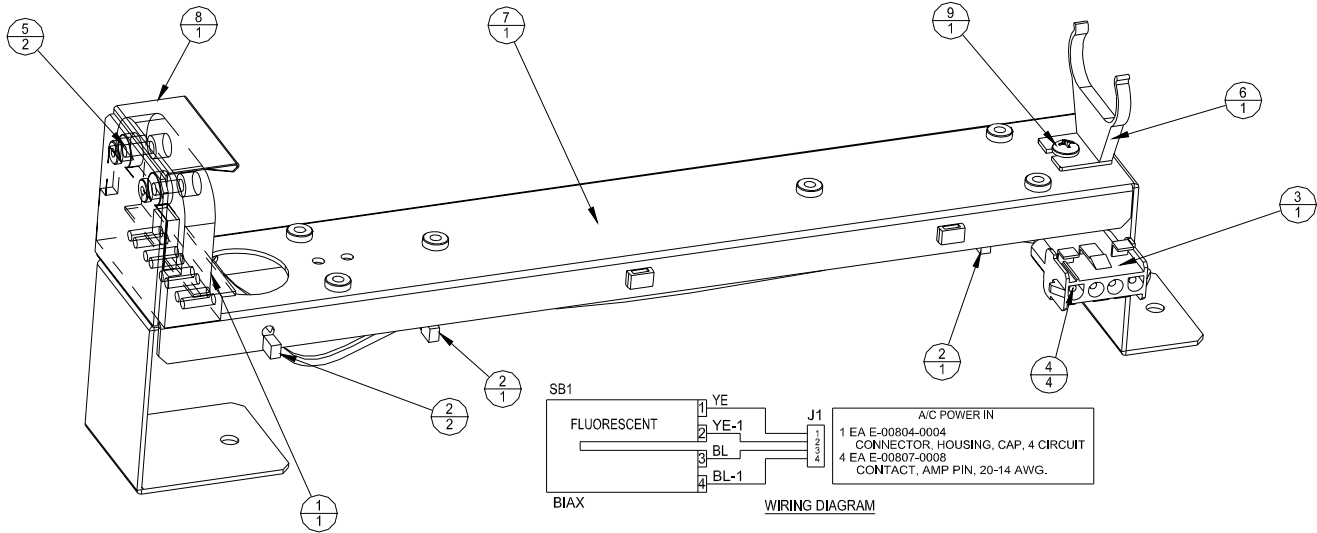
# ProSlot® 6000

## Cash for Life (Cont.) AS-04934-(SERIES)

REF	PART #	DESCRIPTION	QTY
1	A-04936-SERIES	Bezel Assembly	1
2	AS-03210-0112	Light Assembly, Dual Biax (page 3B-6)	1
3	AS-03210-0114	Light Assembly, Single 39W Biax with Ballast (page 3B-7)	1
4	AS-03210-0115	Light Assembly, Dual 27W Biax with Ballast (page 3B-8)	1
5	AS-03356-0630	Circuit Board, Bottom	1
6	AS-03356-0631	Circuit Board, Left	1
7	AS-03356-0632	Circuit Board, Right	1
8	AS-03356-0633	Circuit Board, Top	1
9	CBOR-00832-1808	#8 Carriage Bolt, 1/2-Inch Large	6
10	E-00128-0001	Lamp, Fluorescent, Twin	1
11	E-00128-0002	Lamp, Fluorescent, Twin	2
12	LSPP-00632-1104	Screw, Mach with Lock Phil Pan Hd.	11
13	M-00319-0006	Elastic Stop Nut (ESNA)	8

REF	PART #	DESCRIPTION	QTY
14	M-00319-0008	Elastic Stop Nut (ESNA)	3
15	M-01777-5644	Bolt, 1/4-20 x 2 1/2-Inch	2
16	M-02107-0002C	Lens, 5mm LED, Clear	66
17	M-02108-0001	Retainer, LED Lens, 5mm	66
18	M-03127-0001	Housing, VAC Formed	1
19	M-03128-0001	Mounting Base, VAC Formed	1
20	M-03139-SERIES	Plex, CFL 3-D (Ref)	1
21	MSOS-25020-1108	Screw, 1/4 x 1/2 Mach, Serrated Hex Hd.	3
22	NLS-00632-1112	Hex Nut	8
23	NLS-00832-1112	Hex Nut	6
24	NLS-25020-1112	Hex Nut	2
25	P-04615-0001	Peg, Monitor	2
26	P-09319-0684	Anti-Vibration Bracket	1
27	PW-00250-0012	Washer, Plain	2

### Item 2 - Light Assembly, Dual Biax AS-03210-0112



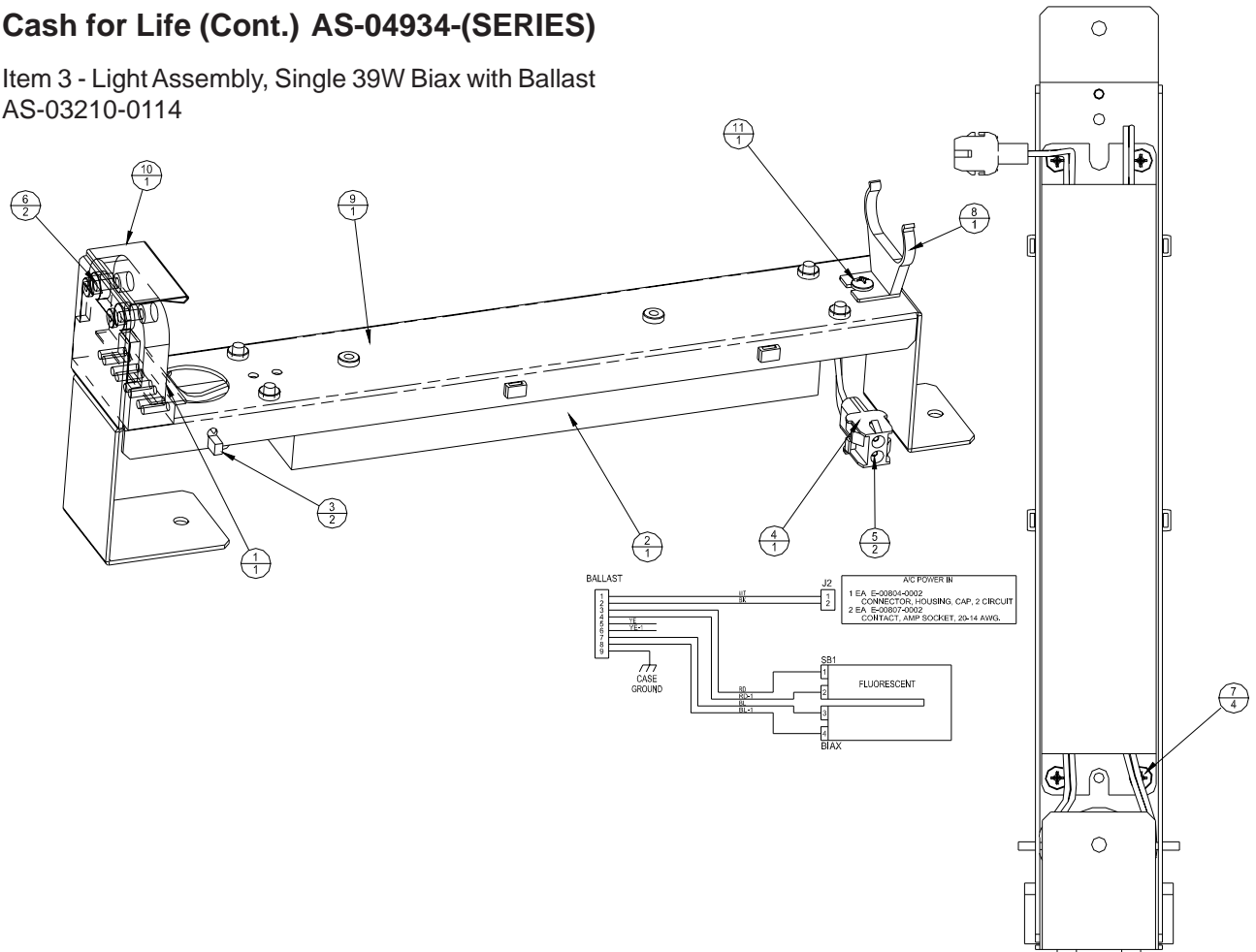
REF	PART #	DESCRIPTION	QTY
1	E-00120-0277	Base, Lamp, Twin	1
2	E-00647-0004	Tie Wrap	4
3	E-00804-0004	Connector Housing Cap	1
4	E-00807-0008	Contact Pin, Amp 20-14	4
5	LSPP-00632-1106	Screw, Mach with Lock Phil Pan Hd	2
6	M-06004-0001	Clip, Lamp Support, Twin	1

REF	PART #	DESCRIPTION	QTY
7	P-09319-0694	Light Bracket Assembly, Twin Lamp	1
8	P-09319-0752	Bulb Retainer	1
9	TFFP-00832-1104	Screw, 8-32 x 1/4 Tjd Form Phil Pan Hd	1
10	WIP-ES202-1820	PVC, Solid, 18 AWG Blue Type TEW	—
11	WIP-ES202-1830	PVC, Solid, 18 AWG, Yellow Type TEW	—

## ProSlot® 6000

### Cash for Life (Cont.) AS-04934-(SERIES)

Item 3 - Light Assembly, Single 39W Biax with Ballast  
AS-03210-0114



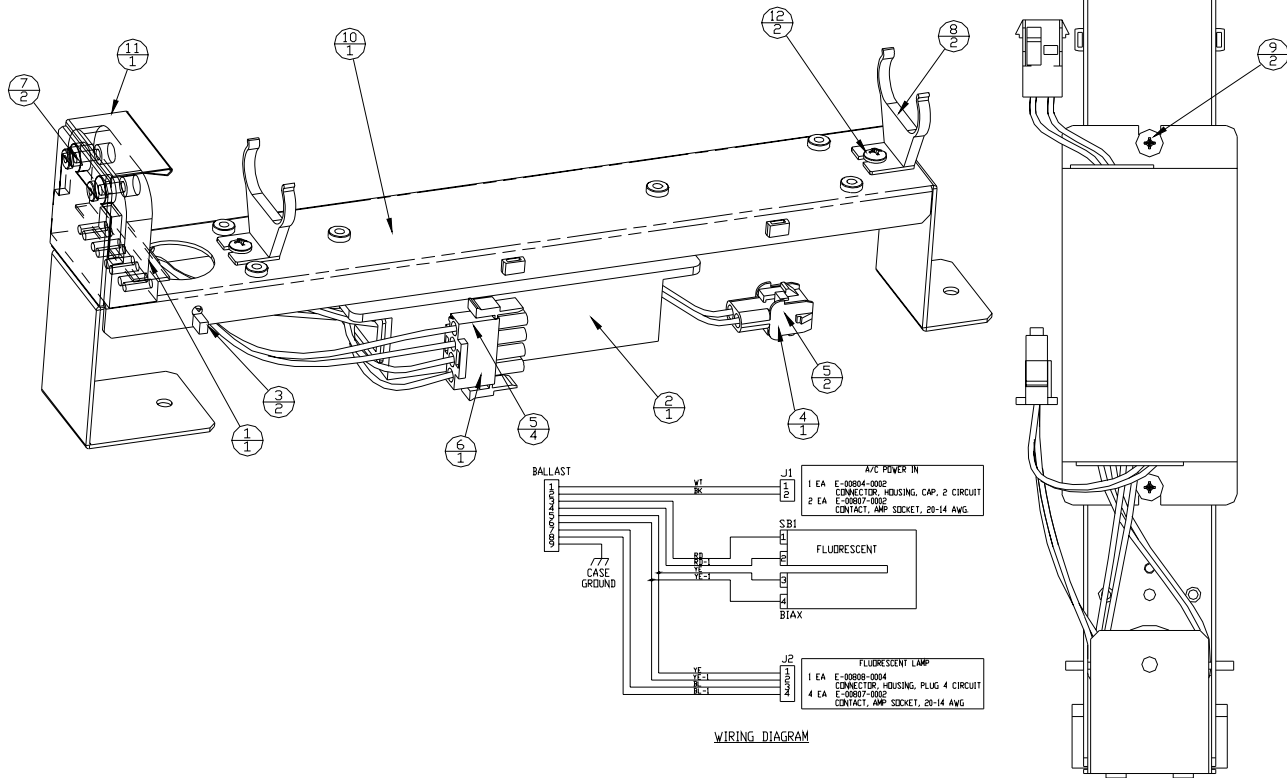
REF	PART #	DESCRIPTION	QTY
1	E-00120-0277	Base, Lamp, Twin	1
2	E-00409-0033	Ballast, Twin Lamp	1
3	E-00647-0004	Tie Wrap	2
4	E-00804-0002	Connector Housing Cap	1
5	E-00807-0002	Contact Socket, Amp 20-14 AWG	2
6	LSPP-00632-1106	Screw, Mach with Lock Phil Pan Hd	2

REF	PART #	DESCRIPTION	QTY
7	LSPP-00832-1106	Screw, Mach with Lock Phil Pan Hd	4
8	M-06004-0001	Clip, Lamp Support, Twin	1
9	P-09319-0694	Light Bracket Assembly, Twin Lamp	1
10	P-09319-0752	Bulb Retainer	1
11	TFPP-00832-1104	Screw, 8-32 x 1/4 Thd Form Phil Pan Hd	1

# ProSlot® 6000

## Cash for Life (Cont.) AS-04934-(SERIES)

Item 4 - Light Assembly, Dual 27W Biax with Ballast  
AS-03210-0115



REF	PART #	DESCRIPTION	QTY
1	E-00120-0277	Base, Lamp, Twin	1
2	E-00409-0032	Ballast, Twin Lamp, 27W	1
3	E-00647-0004	Tie Wrap	2
4	E-00804-0002	Connector Housing Cap	1
5	E-00807-0002	Contact Socket, Amp 20-14 AWG	6
6	E-00808-0004	Connector Housing Plug	1
7	LSPP-00632-1106	Screw, Mach with Lock Phil Pan Hd	2
8	M-06004-0001	Clip, Lamp Support, Twin	2
9	MSPT-00832-1112	Screw, 8-32 x 3/4 Mach Phil Truss Hd	2

REF	PART #	DESCRIPTION	QTY
10	P-09319-0694	Light Bracket Assembly, Twin Lamp	1
11	P-09319-0752	Bulb Retainer	1
12	TFPP-00832-1104	Screw, 8-32 x 1/4 Thd Form Phil Pan Hd	2
13	WIP-ES202-1810	PVC, Solid, 18 AWG Red Type TEW	—
14	WIP-ES202-1830	PVC, Solid, 18 AWG Blue Type TEW	—
15	WIP-ES202-1830	PVC, Solid, 18 AWG Yellow Type TEW	—
16	WIP-ES202-1850	PVC, Solid, 18 AWG, White	—
17	WIP-ES202-1880	PVC, Solid, 18 AWG, Black	—

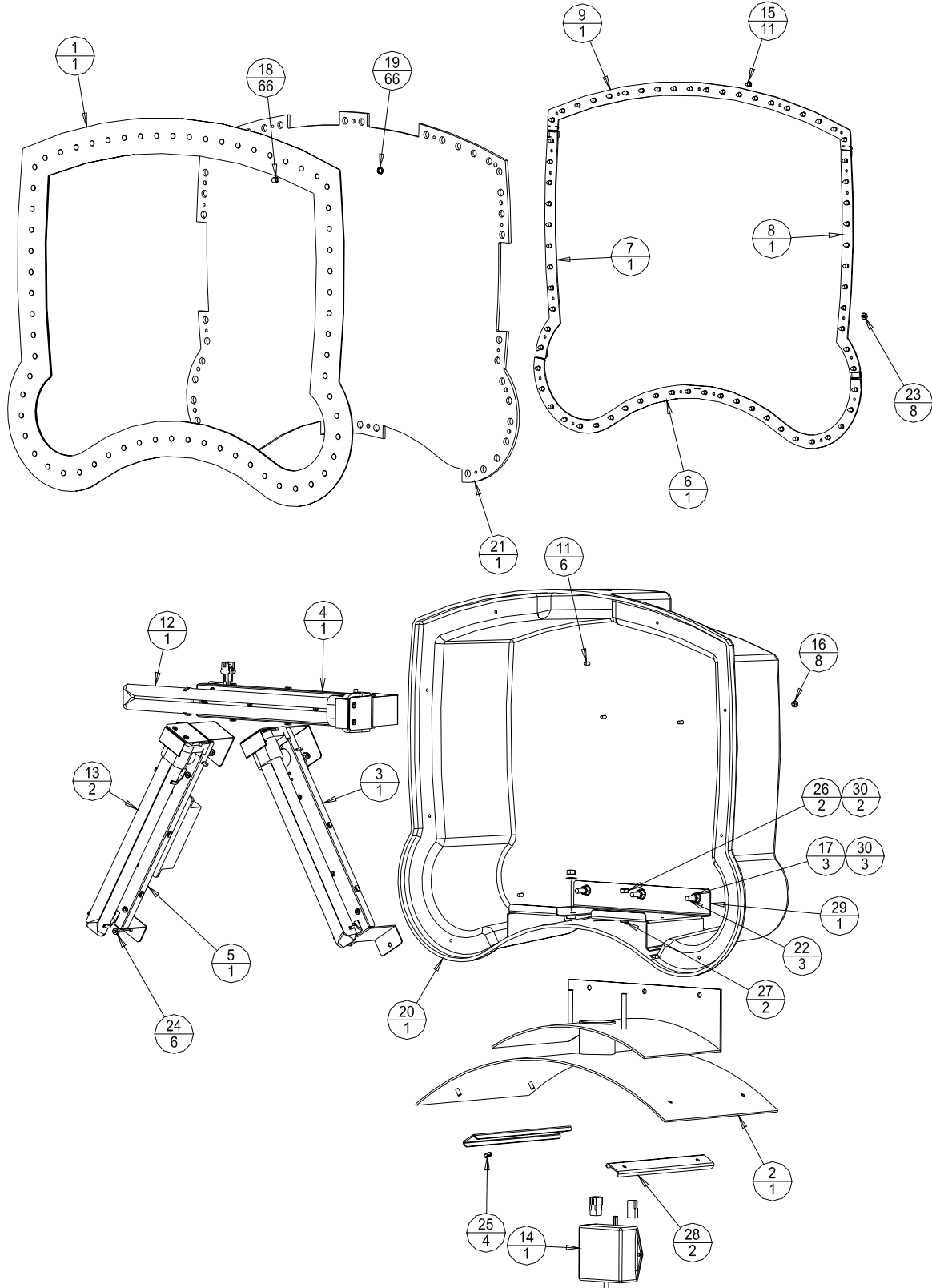


## ProSlot® 6000

### Cash for Life, Non-Bonus AS-04955-(SERIES)

AVAILABILITY:

PART #	DESCRIPTION
AS-04955-00P1	Cash for Life, Non-Bonus, Monte Carlo Cabinet, 110V
AS-04955-01P1	Cash for Life, Non-Bonus, Monte Carlo Cabinet, 220V
AS-04955-10P1	Cash for Life, Non-Bonus, Round Top, 110V





## ProSlot® 6000

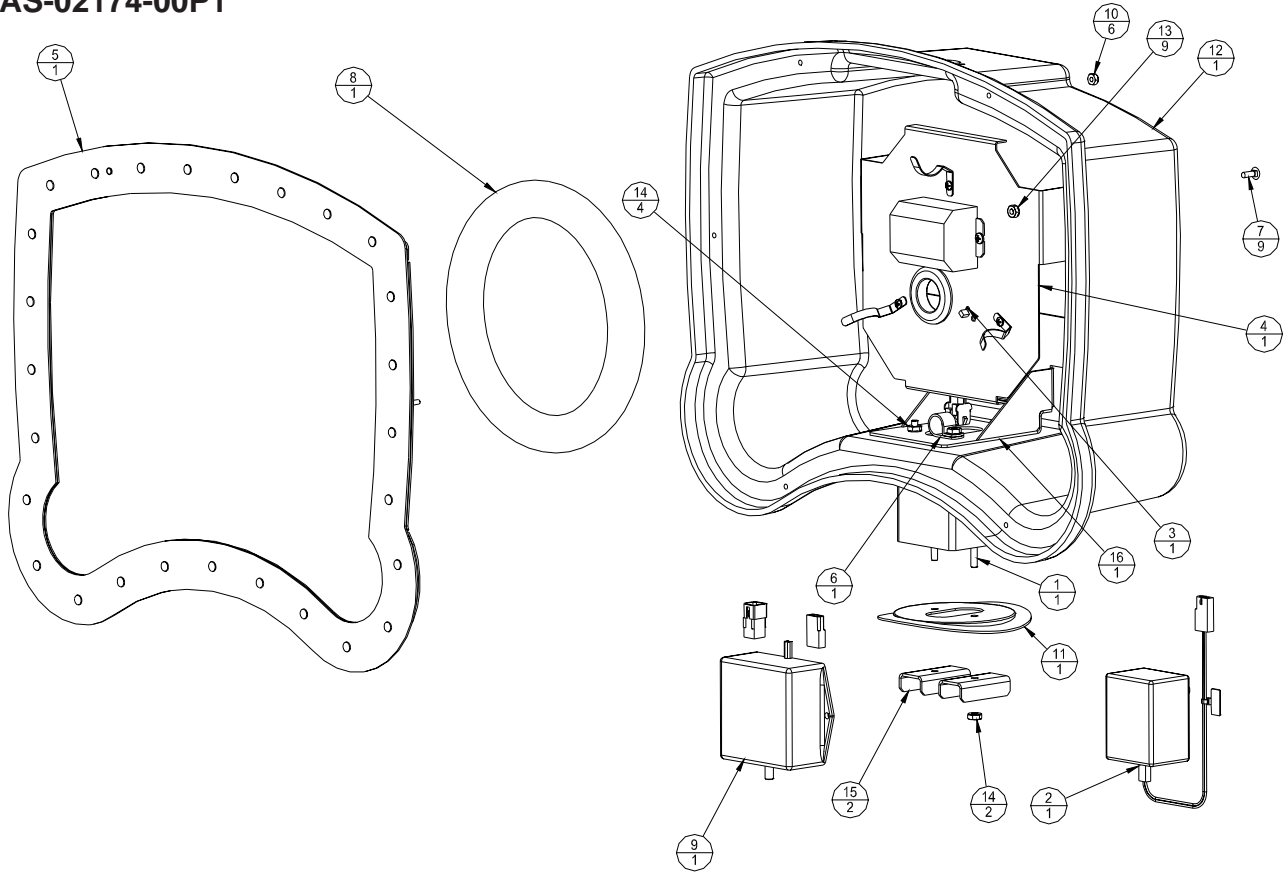
### Cash for Life, Non-Bonus (Cont.) AS-04955-(SERIES)

REF	PART #	DESCRIPTION	QTY
1	A-04936-SERIES	Bezel Assembly	1
2	A-04957-SERIES	Pedestal	1
3	AS-03210-0112	Light Assembly, Dual Biax (page 3B-6)	1
4	AS-03210-0114	Light Assembly, Single 39W Biax with Ballast (page 3B-7)	1
5	AS-03210-0115	Light Assembly, Dual 27W Biax with Ballast (page 3B-8)	1
6	AS-03356-0630	Circuit Board, Bottom	1
7	AS-03356-0631	Circuit Board, Left	1
8	AS-03356-0632	Circuit Board, Right	1
9	AS-03356-0633	Circuit Board, Top	1
10	CBL-30676-0001	LED Top Box Cable	1
11	CBOR-00832-1808	#8 Carriage Bolt, 1/2-Inch, Large	6
12	E-00128-0001	Lamp, Fluorescent, Twin	1
13	E-00128-0002	Lamp, Fluorescent, Twin	2
14	E-00664-0616	3 Lamp Sequencer	1

REF	PART #	DESCRIPTION	QTY
15	LSPP-00632-1104	Screw, Mach with Lock Phil Pan Hd.	11
16	M-00319-0006	Elastic Stop Nut (ESNA)	8
17	M-00319-0008	Elastic Stop Nut (ESNA)	3
18	M-02107-000C	Lens, 5MM LED, Clear	66
19	M-02108-0001	Retainer, LED Lens, 5MM	66
20	M-03127-0001	Housing, VAC Formed	1
21	M-03139-SERIES	Plex, CFL 3-D (Ref)	1
22	MSOH-25020-1120	Screw, 250-20 x 1 1/4, Mach Hex Hd.	3
23	NLS-00632-1112	Hex Nut	8
24	NLS-00832-1112	Hex Nut	6
25	NLS-01032-1112	Hex Nut	4
26	NLS-25020-1112	Hex Nut	2
27	P-04615-0001	Peg, Monitor	2
28	P-06714-0007	Mounting Bracket Support	2
29	P-09319-0684	Anti-Vibration Bracket	1
30	PW-00250-0012	Washer, Plain	5

## ProSlot® 6000

### Cash for Life, 3/4 Scale, Polished Chrome AS-02174-00P1

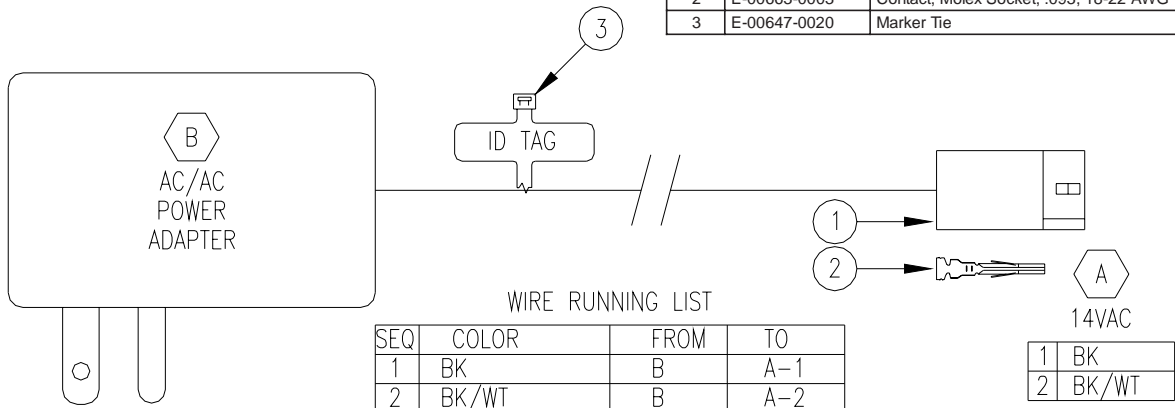


REF	PART #	DESCRIPTION	QTY
1	A-04933-0001	Mounting Bracket	1
2	AS-02982-0049	Power Supply, 110VAC/14VAC, 700mA (page 3B-11)	1
3	AS-03106-0004	Ground Strap, 12-Inch (page 3B-12)	1
4	AS-04930-0001	Light Bracket Assembly (page 3B-12)	1
5	AS-04954-SERIES	Bezel and Circuit Board Assembly (page 3B-13)	1
6	C-00271-0009	Clip	1
7	CBOR-00832-1808	#8 Carriage Bolt 1/2-Inch, Large	9
8	E-00412-0020	Lamp, Fluorescent, 8.25-Inch, Round	1

REF	PART #	DESCRIPTION	QTY
9	E-00664-0616	3 Lamp Sequencer	1
10	M-00319-0006	Elastic Stop Nut (ESNA)	6
11	M-03097-0009	Base, Tower Wide	1
12	M-03125-0004	Housing, VAC Formed	1
13	NLS-00832-1112	Hex Nut	9
14	NLS-01032-1112	Hex Nut	6
15	P-09319-0675	Washer, Ribbed	2
16	P-09319-0695	Anti-Vibration Bracket	1

### Item 2 - Power Supply, 110VAC/14VAC, 700mA AS-02982-0049

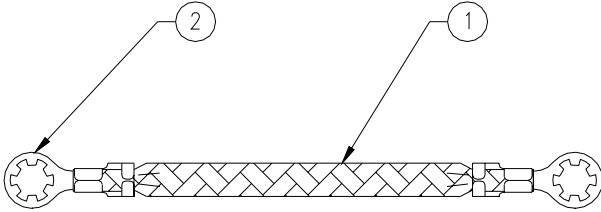
REF	PART #	DESCRIPTION	QTY
1	E-00662-0200	Connector, Molex Receptacle, .093, 2 Circuit	1
2	E-00663-0003	Contact, Molex Socket, .093, 18-22 AWG	2
3	E-00647-0020	Marker Tie	1



# ProSlot® 6000

## Cash for Life, 3/4 Scale, Polished Chrome (Cont.) AS-02174-00P1

Item 3 - Ground Strap AS-03106-(SERIES)

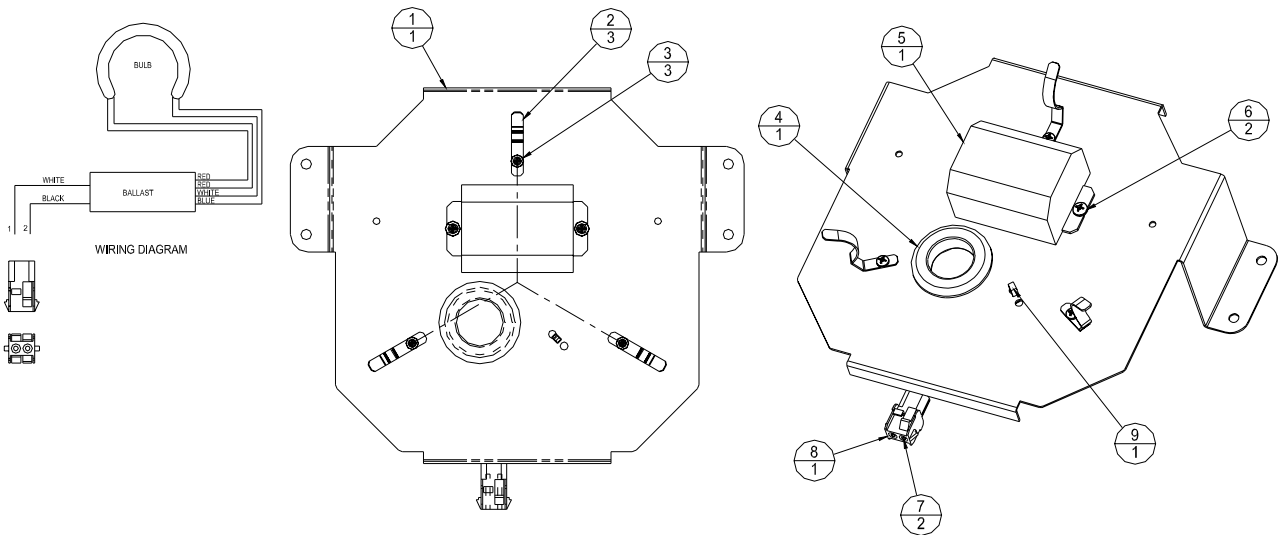


### LEGEND

PART #	LENGTH (INCH)	DESCRIPTION
AS-03106	18-Inch	Tower Ground Strap
AS-03106-0001	24-Inch	Tower Ground Strap
AS-03106-0002	30-Inch	Tower Ground Strap
AS-03106-0004	12-Inch	Ground Strap
AS-03106-0006	6-Inch	Tower Ground Strap
AS-03106-0008	8-1/2-Inch	Tower Ground Strap
AS-03106-0010	4-Inch	Ground Strap
AS-03106-0012	17-Inch	Ground Strap (Earth Ground Australia)

REF	PART #	DESCRIPTION	QTY
1	E-00673-0003	Braided Ground Wire	A/R
2	P-00405-0001	Term Ring Non-Insulated #10, 12-10 AWG	2

Item 4 - Light Bracket Assembly AS-04930-0001



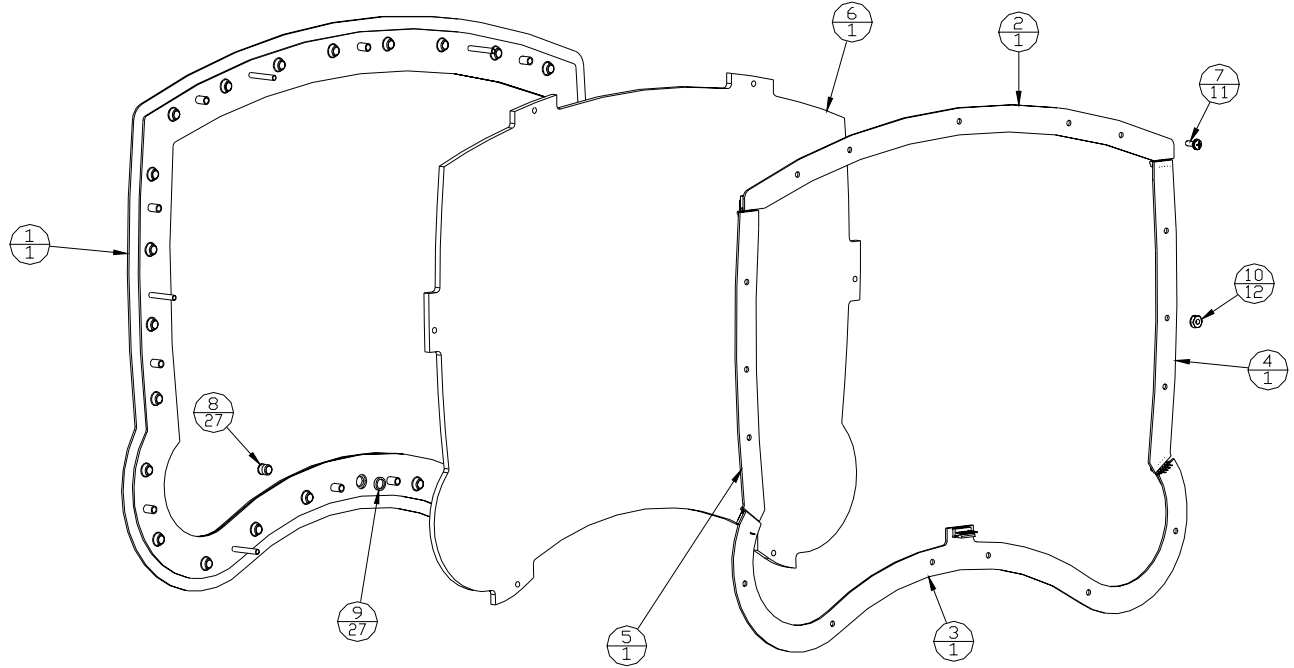
REF	PART #	DESCRIPTION	QTY
1	P-04930-0001	Light Bracket	1
2	P-04930-0002	Bulb Bracket	3
3	TFFP-00632-1104	Screw, 6-32 x 1/4 Thd Form Phil Pan Hd	3
4	R-00111-0061	Grommet, 1.00 ID	1
5	E-00409-0021	Ballast, 22W	1

REF	PART #	DESCRIPTION	QTY
6	TFFP-00832-1104	Screw, 8-32 x 1/4 Thd Form Phil Pan Hd	2
7	E-00807	Socket, Amp, 24-18	2
8	E-00804-0002	Connector Housing Cap	1
9	E-00647-0004	Tie Wrap	1

## ProSlot® 6000

### Cash for Life, 3/4 Scale, Polished Chrome (Cont.) AS-02174-00P1

Item 5 - Bezel and Circuit Board Assembly  
AS-04954-(SERIES)



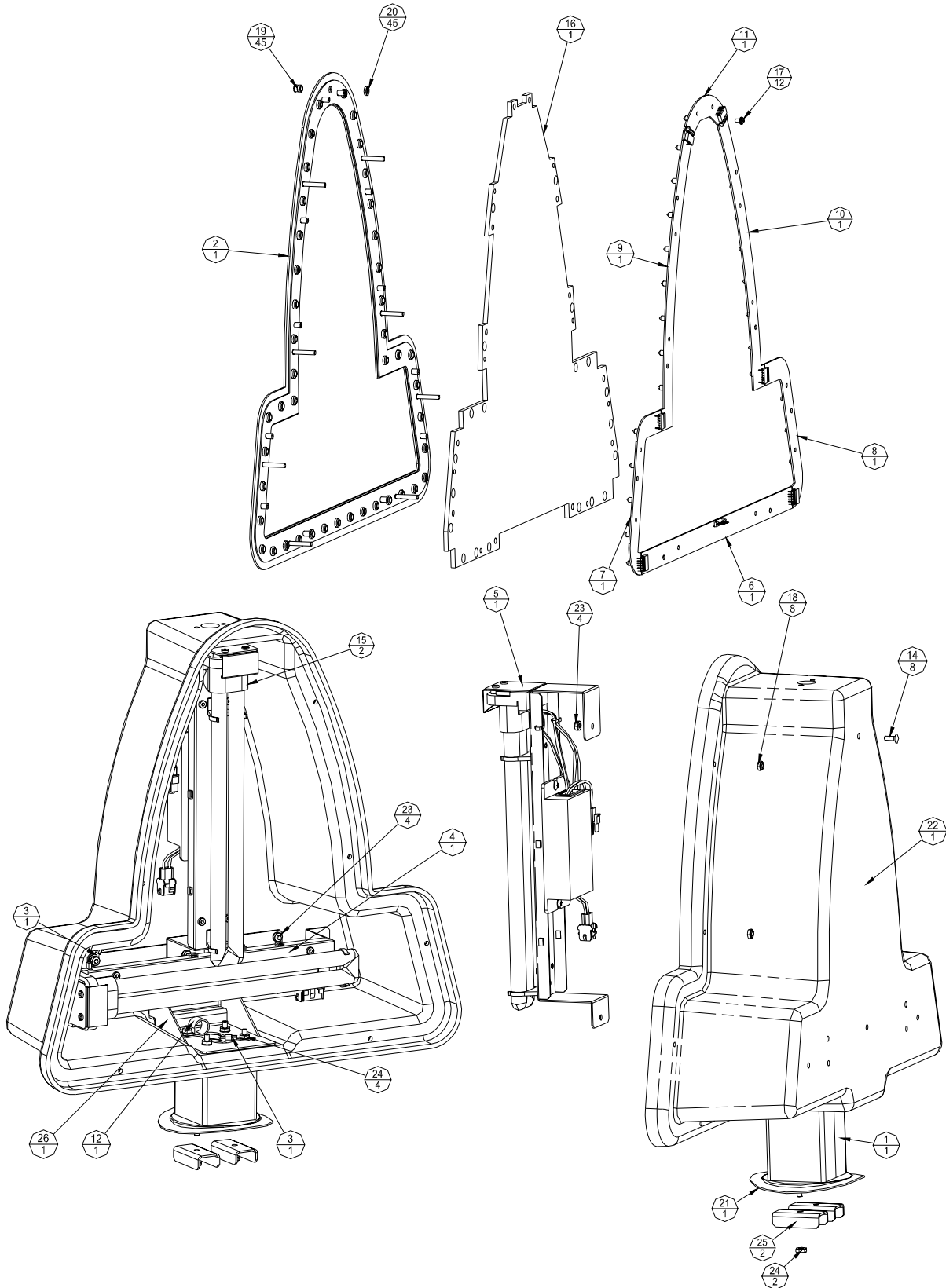
REF	PART #	DESCRIPTION	QTY
1	A-04954-SERIES	Bezel	1
2	AS-03356-0605	Circuit Board Assembly, Top	1
3	AS-03356-0606	Circuit Board Assembly, Bottom	1
4	AS-03356-0607	Circuit Board Assembly, Left	1
5	AS-03356-0608	Circuit Board Assembly, Right	1

REF	PART #	DESCRIPTION	QTY
6	G-R0777	Plex, Topper	1
7	LSPP-00632-1106	Screw, Mach with Lock Phil Pan Hd	11
8	M-02107-000C	Lens, 5MM LED, Clear	27
9	M-02108-0001	Retainer, LED Lens, 5MM	27
10	NLS-00632-1112	Hex Nut	12

**ProSlot® 6000**

**Conehead**

**AS-04946-00P1**



## ProSlot® 6000

### Conehead (Cont.)

### AS-04946-00P1

REF	PART #	DESCRIPTION	QTY
1	A-04933-0001	Mounting Bracket	1
2	A-04947-SERIES	Bezel Assembly	1
3	AS-03106	Ground Strap, 18-Inch (page 3B-12)	2
4	AS-03210-0112	Light Assembly, Dual Biax (page 3B-6)	1
5	AS-03210-0115	Light Assembly, Dual 27W Biax with Ballast (page 3B-8)	1
6	AS-03356-0584	Circuit Board Assembly	1
7	AS-03356-0585	Circuit Board Assembly	1
8	AS-03356-0586	Circuit Board Assembly	1
9	AS-03356-0587	Circuit Board Assembly	1
10	AS-03356-0588	Circuit Board Assembly	1
11	AS-03356-0589	Circuit Board Assembly	1
12	C-00271-0009	Clip	1
13	CBL-30651-0001	Cable (Not Shown)	1

REF	PART #	DESCRIPTION	QTY
14	CBOR-00832-1808	#8 Carriage Bolt, 1/2-Inch Large	8
15	E-00128-0002	Lamp, Fluorescent, Twin	2
16	G-R0770	Plex, Conehead	1
17	LSPP-00632-1104	Screw, Mach with Lock Phil Pan Hd.	12
18	M-00319-0002	Elastic Stop Nut (ESNA)	8
19	M-02107-000C	Lens, 5mm LED, Clear	45
20	M-02108-0001	Retainer, LED Lens, 5mm	45
21	M-03097-0009	Base, Tower Wide	1
22	M-03125-0003	Housing, Conehead Plastic	1
23	NLS-00832-1112	Hex Nut	8
24	NLS-01032-1112	Hex Nut	6
25	P-09319-0675	Washer, Ribbed	2
26	P-09319-0695	Anti-Vibration Bracket	1

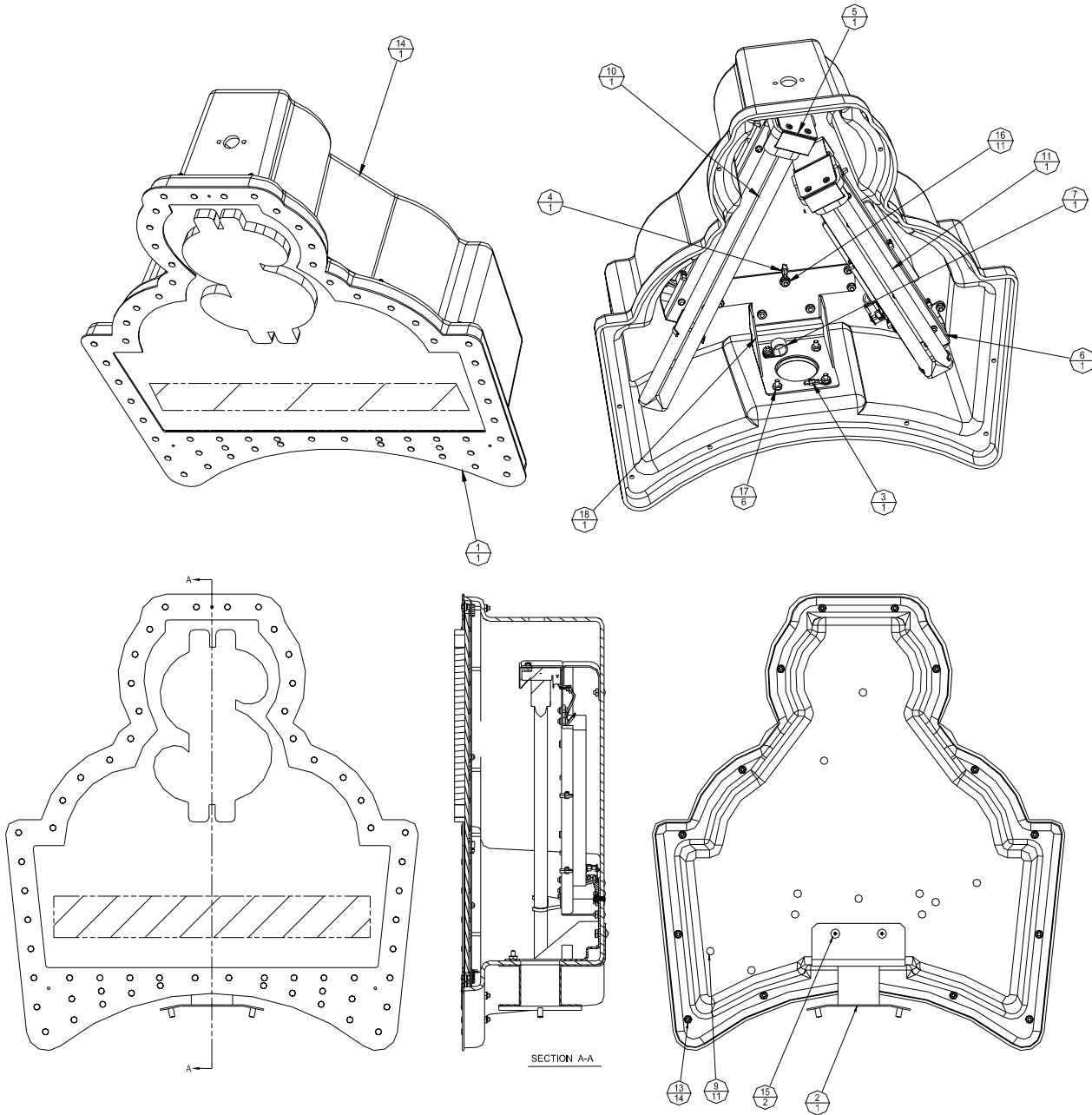
**ProSlot® 6000**

**In the Money**

**AS-08743-(SERIES)**

**AVAILABILITY:**

PART #	DESCRIPTION
AS-08743-00P1	In the Money, 110V
AS-08743-00P4	In the Money, 220V
AS-08743-01P1	In the Money, 220V



REF	PART #	DESCRIPTION	QTY
1	A-04967-SERIES	Bezel Assembly, Glass and PCB, Dollar Sign	1
2	A-04969-SERIES	Post, Mounting Bracket, Marquee	1
3	AS-03106-0001	Ground Strap, 24-Inch (page 3B-12)	1
4	AS-03106-0004	Ground Strap, 12-Inch (page 3B-12)	1
5	AS-03210-0125	Light Assembly, LP, Single 39W Biax with Ballast (page 3B-17)	1
6	AS-03210-0126	Light Assembly, LP, 24W Dual Biax with Ballast (page 3B-18)	1
7	C-00271-0009	Clip	1
8	CBL-20324-0001	Cable (Not Shown)	1

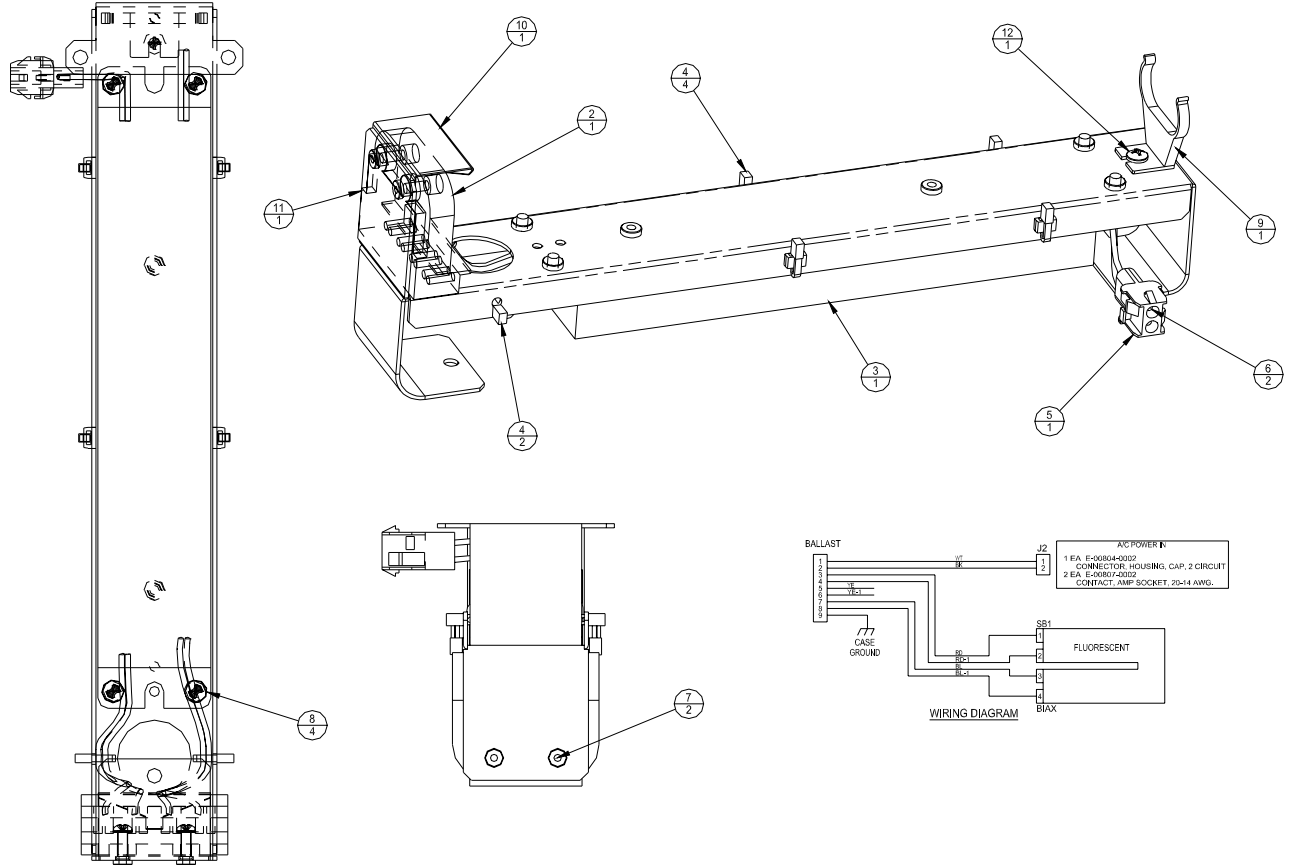
REF	PART #	DESCRIPTION	QTY
9	CBOR-00832-1808	#8 Carriage Bolt 1/2-Inch Large	11
10	E-00128-0001	Lamp, Fluorescent, Twin	1
11	E-00128-0002	Lamp, Fluorescent, Twin	1
12	E-01145-2312	Ground Cable (Not Shown)	1
13	M-00319-0002	Elastic Stop Nut (ESNA)	14
14	M-03141-0001	Housing, Topper ITM	1
15	MSPT-01032-1108	Screw, 10-32 x 1/2 Mach Phil Truss Hd.	2
16	NLS-00832-1112	Hex Nut	11
17	NLS-01032-1112	Hex Nut	6
18	P-09319-0755	Anti-Vibration Bracket	1



## ProSlot® 6000

### In the Money (Cont.) AS-08743-(SERIES)

Item 5 - Light Assembly, LP, Single 39W Biax with Ballast  
AS-03210-0125



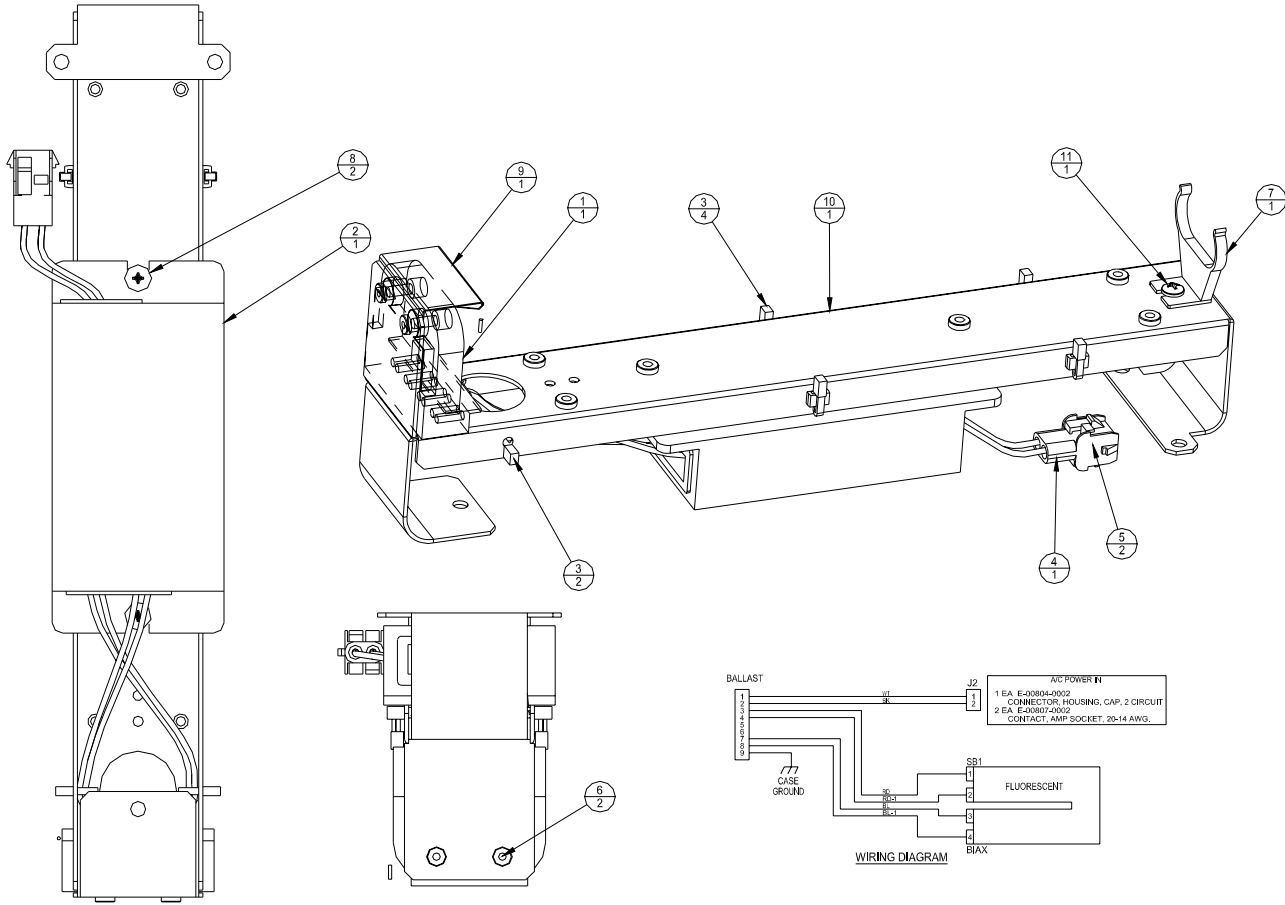
REF	PART #	DESCRIPTION	QTY
2	E-00120-0277	Base, Lamp, Twin	1
3	E-00409-0033	Ballast, Twin Lamp	1
4	E-00647-0004	Tie Wrap	6
5	E-00804-0002	Connector Housing Cap	1
6	E-00807-0002	Contact Socket, Amp 20-14 AWG	2
7	LSPP-00632-1106	Screw, Mach with Lock Phil Pan Hd	2

REF	PART #	DESCRIPTION	QTY
8	LSPP-00832-1106	Screw, Mach with Lock Phil Pan Hd	4
9	M-06004-0001	Clip, Lamp Support, Twin	1
10	P-09319-0752	Bulb Retainer	1
11	P-09319-0756	Light Bracket Assembly, Twin Lamp	1
12	TFPP-00832-1104	Screw, 8-32 x 1/4 Thd Form Phil Pan Hd	1

# ProSlot® 6000

## In the Money (Cont.) AS-08743-(SERIES)

Item 6 - Light Assembly, LP, 27W Dual BiAx with Ballast  
AS-03210-0126



REF	PART #	DESCRIPTION	QTY
1	E-00120-0277	Base, Lamp, Twin	1
2	E-00409-0032	Ballast, Twin Lamp, 27W	1
3	E-00647-0004	Tie Wrap	6
4	E-00804-0002	Connector Housing Cap	1
5	E-00807-0002	Contact Socket, Amp 20-14 AWG	2
6	LSPP-00632-1106	Screw, Mach with Lock Phil Pan Hd	2
7	M-06004-0001	Clip, Lamp Support, Twin	1
8	MSPT-00832-1112	Screw, 8-32 x 3/4 Mach Phil Truss Hd	2

REF	PART #	DESCRIPTION	QTY
9	P-09319-0752	Bulb Retainer	1
10	P-09319-0756	Light Bracket Assembly, Twin Lamp	1
11	TFPP-00832-1104	Screw, 8-32 x 1/4 Thd Form Phil Pan Hd	1
12	WIP-ES202-1810	PVC, Solid, 18 AWG Red Type TEW	—
13	WIP-ES202-1820	PVC, Solid, 18 AWG Blue Type TEW	—
14	WIP-ES202-1850	PVC, Solid, 18 AWG White	—
15	WIP-ES202-1880	PVC, Solid, 18 AWG Black	—

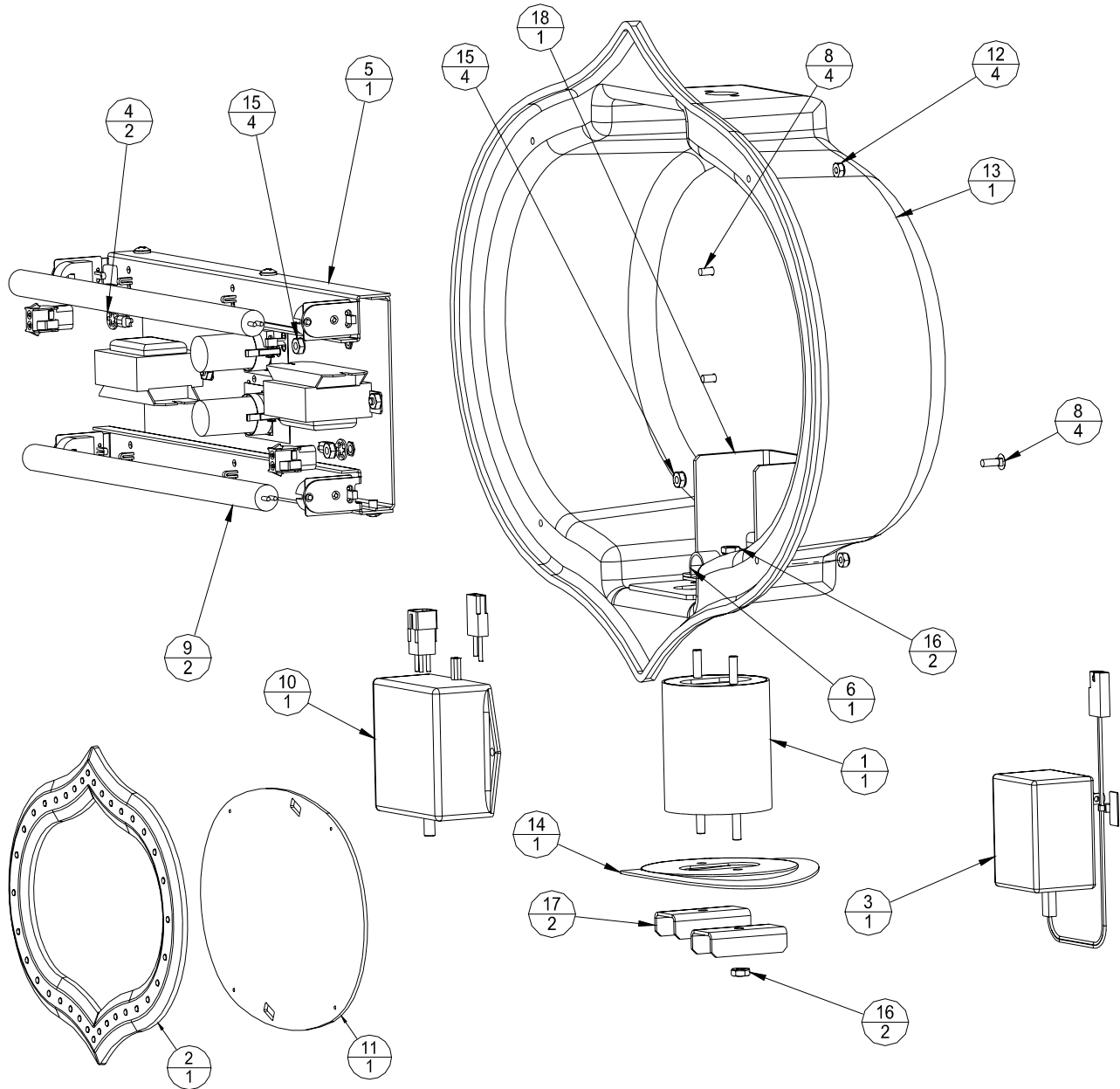
## ProSlot® 6000

To Tell the Truth

AS-02170-(SERIES)

AVAILABILITY:

PART #	DESCRIPTION
AS-02170-00P1	To Tell The Truth, Polished Chrome, 110V
AS-02170-01P1	To Tell The Truth, Polished Chrome, 220V



REF	PART #	DESCRIPTION	QTY
1	A-06727-0001	Mounting Bracket	1
2	AS-02171-SERIES	Bezel/Lens Assembly (page 3B-18)	1
3	AS-02982-0049	Power Assembly, 110VAC/14VAC, 700 mA (Page 3B-11)	1
4	AS-03106-0008	Ground Strap, 8 1/2-Inch (Page 3B-12)	2
5	AS-03210-0109	Fluorescent Lamp Assembly, Dual, 12-Inch (Page 3B-20)	1
6	C-00271-0009	Clip	1
7	CBL-30651-0001	Cable (Not Shown)	1
8	CBOR-00832-1808	#8 Carriage Bolt, 1/2-Inch Large	8

REF	PART #	DESCRIPTION	QTY
9	E-00412-0021	Lamp, Fluorescent, 11.5-Inch, 8W (Reference)	2
10	E-00664-0616	3 Lamp Sequencer	1
11	G-R0756	Glass, Marquee	1
12	M-00319-0006	Elastic Stop Nut (ESNA)	4
13	M-02109-0001	Housing, VAC Formed	1
14	M-03097-0009	Base, Tower Wide	1
15	NLS-00832-1112	Hex Nut	8
16	NLS-01032-1112	Hex Nut	4
17	P-09319-0675	Washer, Ribbed	2
18	P-09319-0676	Anti-Vibration Bracket	1

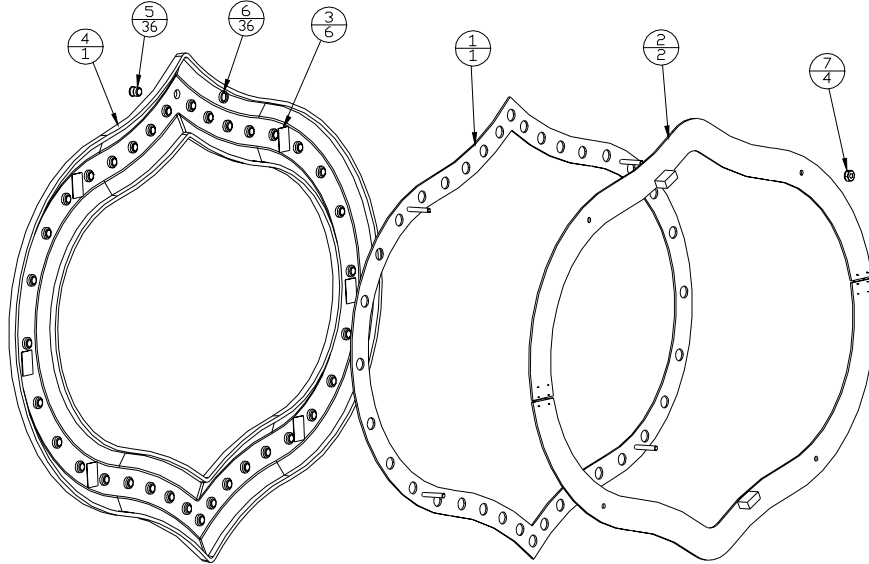
# ProSlot® 6000

## To Tell the Truth (Cont.) AS-02170-(SERIES)



NOTE: See module 14, Schematics, for circuit board assemblies.

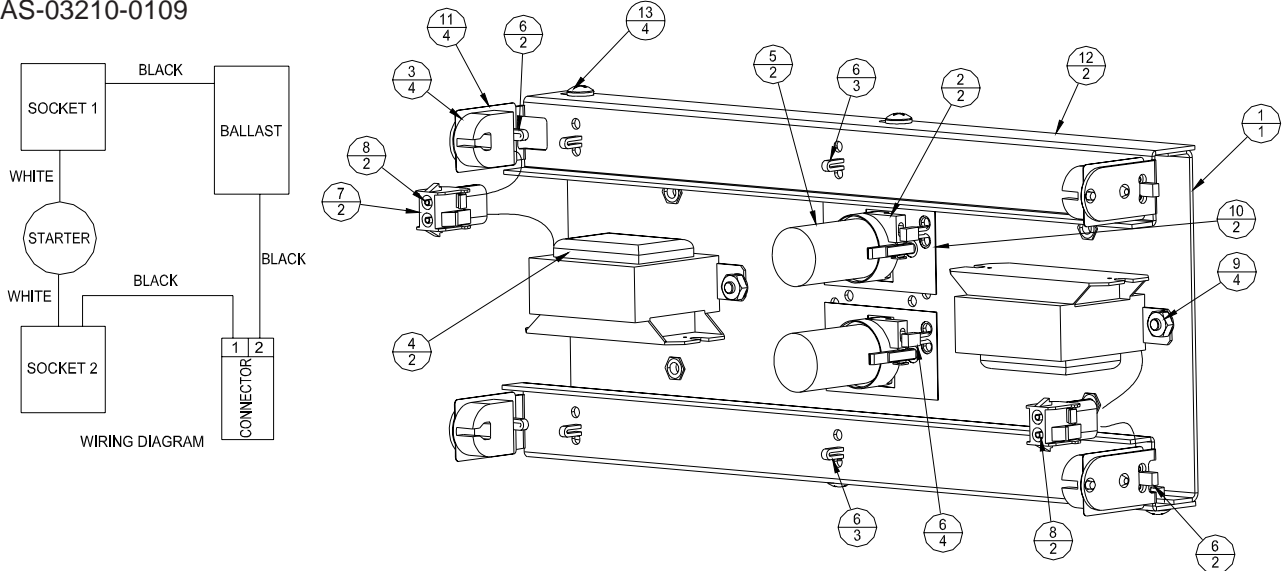
### Item 2 - Bezel/Lens Assembly AS-02171-(SERIES)



REF	PART #	DESCRIPTION	QTY
1	A-06726-0001	Plate, Bezel Attaching	1
2	AS-03356-0551	Circuit Board Assembly	2
3	M-01777-0314-1	Tape, VHB 4920, .5 W x .75 L	6
4	M-02106-SERIES	Bezel, Vac. Formed	1

REF	PART #	DESCRIPTION	QTY
5	M-02107-000C	Lens, 5MM LED, Clear	36
6	M-02108-0001	Retainer, LED Lens, 5MM	36
7	NLS-00632-1112	Hex Nut	4

### Item 5 - Fluorescent Lamp Assembly, Dual, 12-Inch AS-03210-0109



REF	PART #	DESCRIPTION	QTY
1	A-06728-0001	Lamp Mounting Bracket Assembly	1
2	E-00120-0265	Socket, Fluorescent Lamp Starter CE97	2
3	E-00120-0268	Socket, Fluorescent, 4V	4
4	E-00409-0022	Ballast, 120VAC, 8W, 60Hz	2
5	E-00411-0009	Starter, Fluorescent, FS-2	2
6	E-00647-0004	Tie Wrap	14
7	E-00804-0002	Connector Housing Cap	2
8	E-00807-0002	Contact Socket, Amp 20-14 Awg	4

REF	PART #	DESCRIPTION	QTY
9	NLS-00832-1112	Hex Nut	4
10	P-00150-0292	Insulator, Polycarbonate CE97	2
11	P-00150-0297	Insulator, 4W Socket	4
12	P-09322-0311	Reel Light Bracket, 12-Inch	2
13	TFPP-01032-1104	Screw, 10-32 1/4 Thd Form Phil Pan Hd	4
14	WIP-ES202-1850	PVC, Solid, 18 AWG, White	1
15	WIP-ES202-1880	PVC, Solid, 18 AWG, Black	1

| - Revised, || - New  
ProSlot® 6000

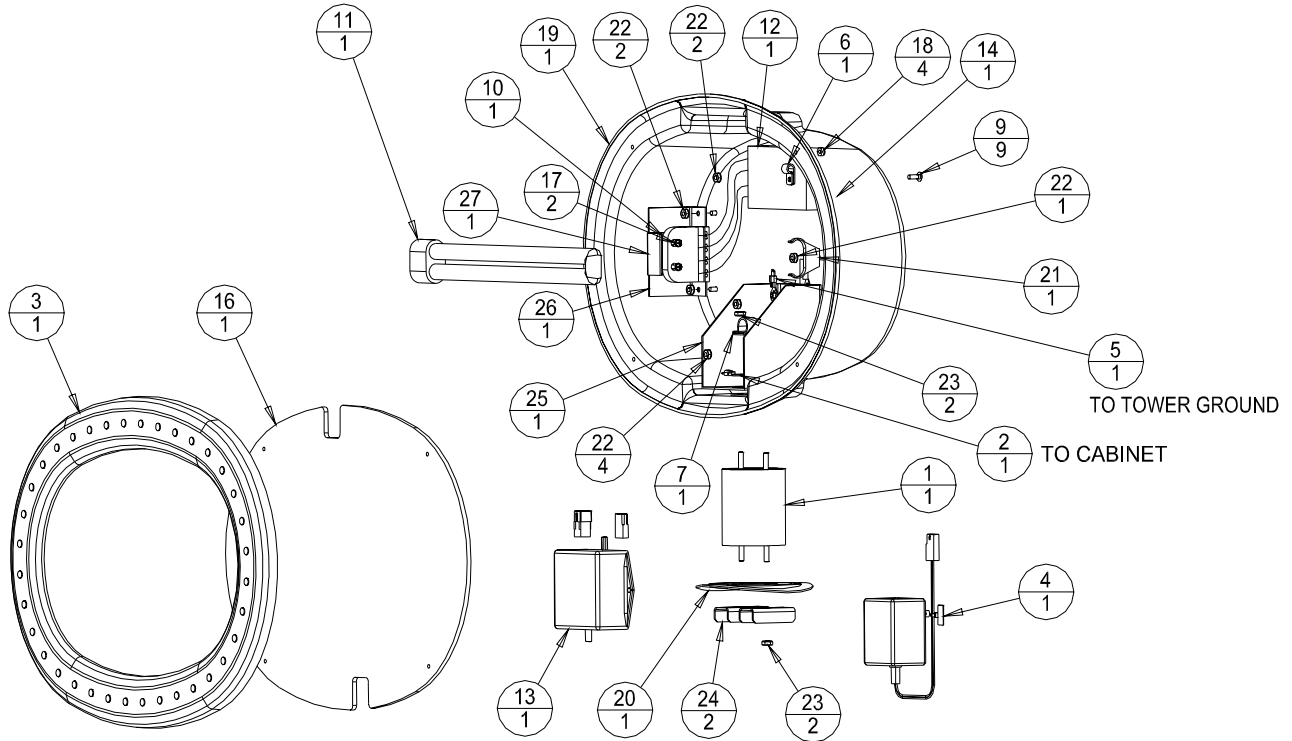
## ProSlot® 6000

Oval

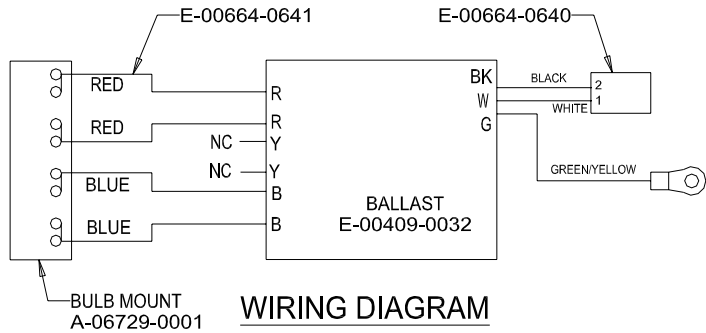
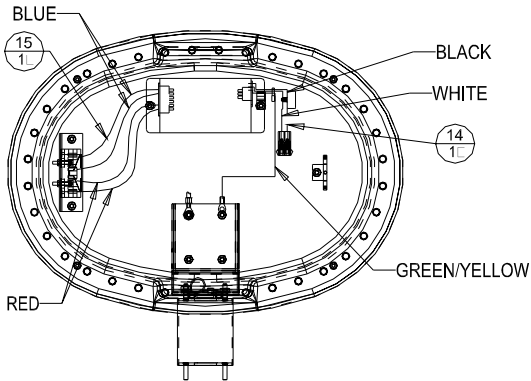
AS-02172-(SERIES)

AVAILABILITY:

PART #	DESCRIPTION
AS-02172-00P1	Oval, Polished Chrome, 110V
AS-02172-01P1	Oval, Polished Chrome, 220V



### WIRING LAYOUT



### WIRING DIAGRAM

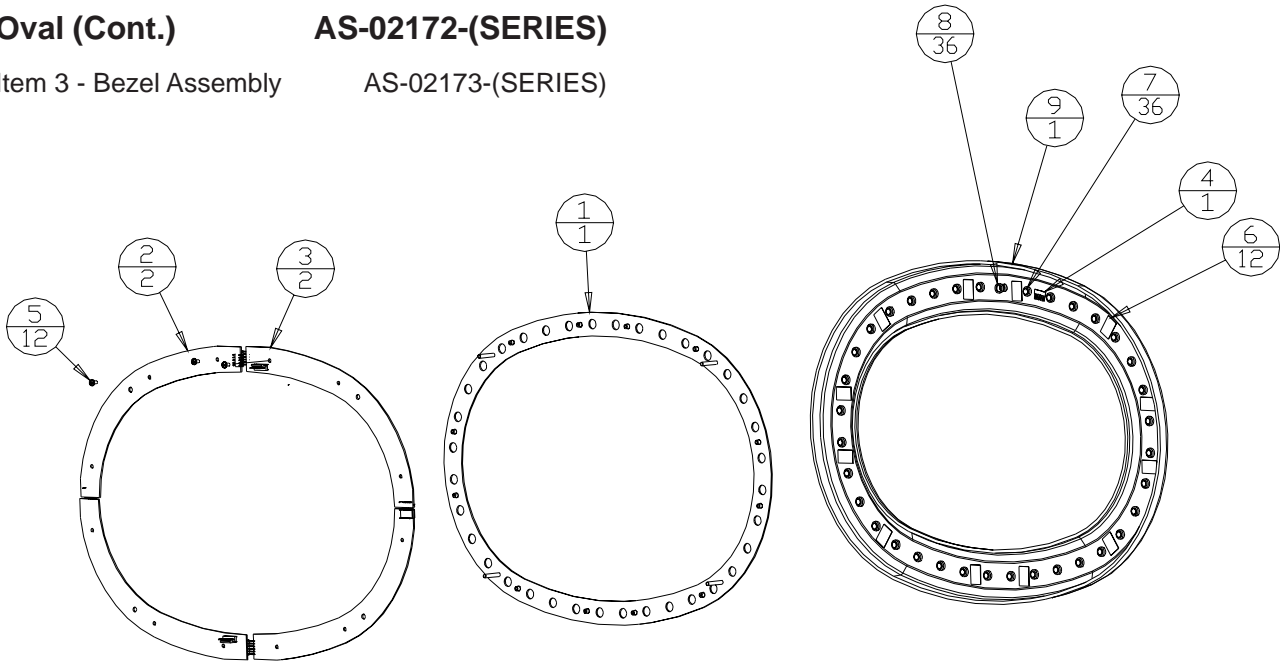
REF	PART #	DESCRIPTION	QTY
1	A-06727-0001	Mounting Bracket	1
2	AS-03106	Ground Strap, 18-Inch (page 3B-12)	1
3	AS-02173-SERIES	Bezel Assembly (page 3B-22)	1
4	AS-02982-0049	Power Supply, 110VAC/14VAC, 700mA (page 3B-11)	1
5	AS-03106-0004	Ground Strap, 12-Inch (page 3B-12)	1
6	C-00271-0004	Clip	1
7	C-00271-0009	Clip	1
8	CBL-30651-0001	Cable (Not Shown)	1
9	CBOR-00832-1808	#8 Carriage Bolt, 1/2-Inch Large	9
10	E-00120-0277	Base, Lamp, Twin	1
11	E-00128-0002	Lamp, Fluorescent, Twin	1
12	E-00409-0032	Ballast, Twin Lamp, 24W	1
13	E-00664-0616	3 Lamp Sequencer	1

REF	PART #	DESCRIPTION	QTY
14	E-00664-0640	Ballast Power Connector Assembly	1
15	E-00664-0641	Ballast/Lamp Cable Assembly	1
16	G-R0765	Plex, Oval	1
17	LSPP-00632-1112	Screw, Mach with Lock Phil Pan Hd.	2
18	M-00319-0006	Elastic Stop Nut (ESNA)	4
19	M-02109-0002	Housing, VAC Formed	1
20	M-03097-0009	Base, Tower Wide	1
21	M-06004-0001	Clip, Lamp Support, Twin	1
22	NLS-00832-1112	Hex Nut	9
23	NLS-01032-1112	Hex Nut	4
24	P-09319-0675	Washer, Ribbed	2
25	P-09319-0715	Bracket, Anti-Vibration	1
26	P-09319-0716	Lamp Base Mounting Plate	1
27	P-09319-0752	Bulb Retainer	1

# ProSlot® 6000

## Oval (Cont.) AS-02172-(SERIES)

Item 3 - Bezel Assembly AS-02173-(SERIES)



REF	PART #	DESCRIPTION	QTY
1	A-06733-0001	Bezel Attaching Plate	1
2	AS-03356-0592	Circuit Board Assembly	2
3	AS-03356-0593	Circuit Board Assembly	2
4	E-01143-0001	Anti-Static Strip	1
5	LSPP-00440-1104	Screw, Mach with Lock Phil Pan Hd	12

REF	PART #	DESCRIPTION	QTY
6	M-01777-0314-1	Tape, VHB 4920, .5 W x .75 L	12
7	M-02107-000C	Lens, 5 MM LED, Clear	36
8	M-02108-0001	Retainer, LED Lens, 5 MM	36
9	M-02113-SERIES	Bezel, Moled	1



NOTE: See module 14, Schematics, for circuit board assemblies.

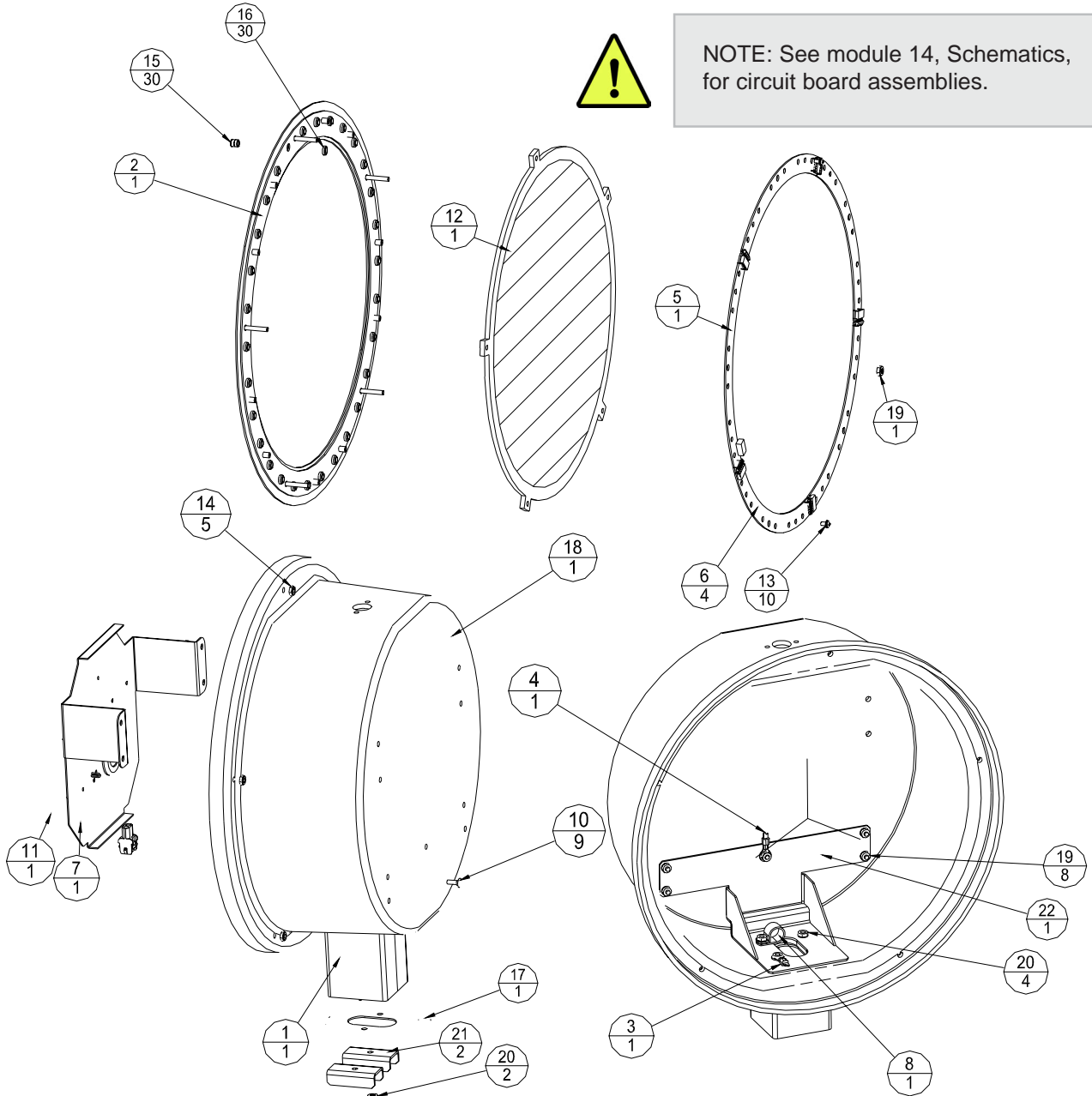
## ProSlot® 6000

Round

AS-04942-(SERIES)

AVAILABILITY:

PART #	DESCRIPTION
AS-04942-00P1	Round, 110V
AS-04942-01P1	Round, 220V



REF	PART #	DESCRIPTION	QTY
1	A-04933-0001	Mounting Bracket	1
2	A-04941-SERIES	Trim, Decorative	1
3	AS-03106	Ground Strap, 18-Inch (page 3B-12)	1
4	AS-03106-0004	Ground Strap, 12-Inch (page 3B-12)	1
5	AS-03356-0577	Power Printed Circuit Board Assembly, Round	1
6	AS-03356-0578	Printed Circuit Board Assembly, Round	4
7	AS-04930-0001	Light Bracket Assembly (page 3B-12)	1
8	C-00271-0009	Clip	1
9	CBL-30651-0001	Cable (Not Shown)	1
10	CBOR-00832-1808	#8 Carriage Bolt, 1/2-Inch Large	9
11	E-00412-0020	Lamp, Fluorescent, 8.25-Inch, Round	1

REF	PART #	DESCRIPTION	QTY
12	G-R0768	Glass, Raw	1
13	LSP-00632-1104	Screw, Mach with Lock Phil Pan Hd.	10
14	M-00319-0002	Elastic Stop Nut (ESNA)	5
15	M-02107-000C	Lens, 5mm LED, Clear	30
16	M-02108-0001	Retainer, LED Lens, 5mm	30
17	M-03097-0009	Base, Tower Wide	1
18	M-03125-0002	Housing, Raw	1
19	NLS-00832-1112	Hex Nut	9
20	NLS-01032-1112	Hex Nut	6
21	P-09319-0675	Washer, Ribbed	2
22	P-09319-0695	Anti-Vibration Bracket	1

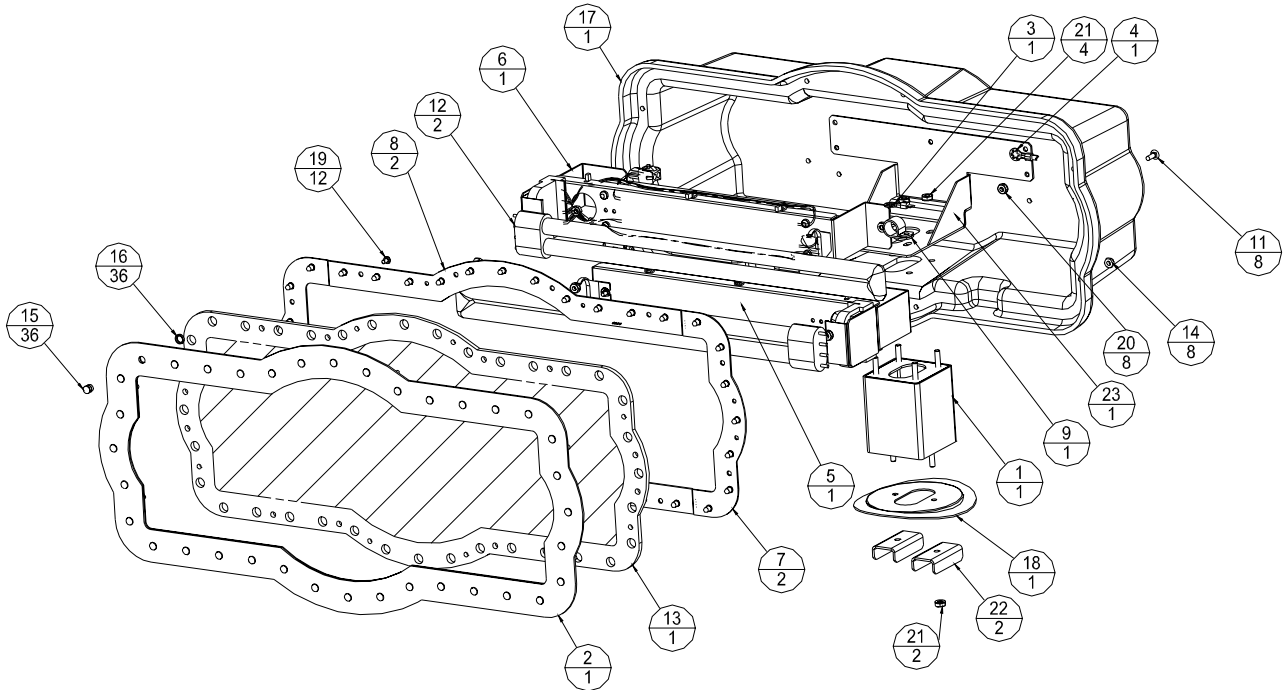
# ProSlot® 6000

Rectangle

AS-04943-(SERIES)

AVAILABILITY:

PART #	DESCRIPTION
AS-04943-00P1	Rectangle
AS-04943-20P4	Rectangle, Monte Carlo



REF	PART #	DESCRIPTION	QTY
1	AS-04933-0001	Mounting Bracket	1
2	A-04943-SERIES	Trim Housing Assembly	1
3	AS-03106-0001	Ground Strap, 24-Inch (page 3B-12)	1
4	AS-03106-0008	Ground Strap, 8 1/2-Inch (page 3B-12)	1
5	AS-03210-0112	Light Assembly, Dual Biax, No Ballast (page 3B-6)	1
6	AS-03210-0113	Light Assembly, Dual 39W Biax with Ballast (page 3B-25)	1
7	AS-03356-0580	Printed Circuit Board, Long	2
8	AS-03356-0581	Printed Circuit Board, Short	2
9	C-00271-0009	Clip	1
10	CBL-30651-0001	Cable (Not Shown)	1
11	CBOR-00832-1808	#8 Carriage Bolt, 1/2-Inch Large	8
12	E-00128-0001	Lamp, Fluorescent, Twin	2

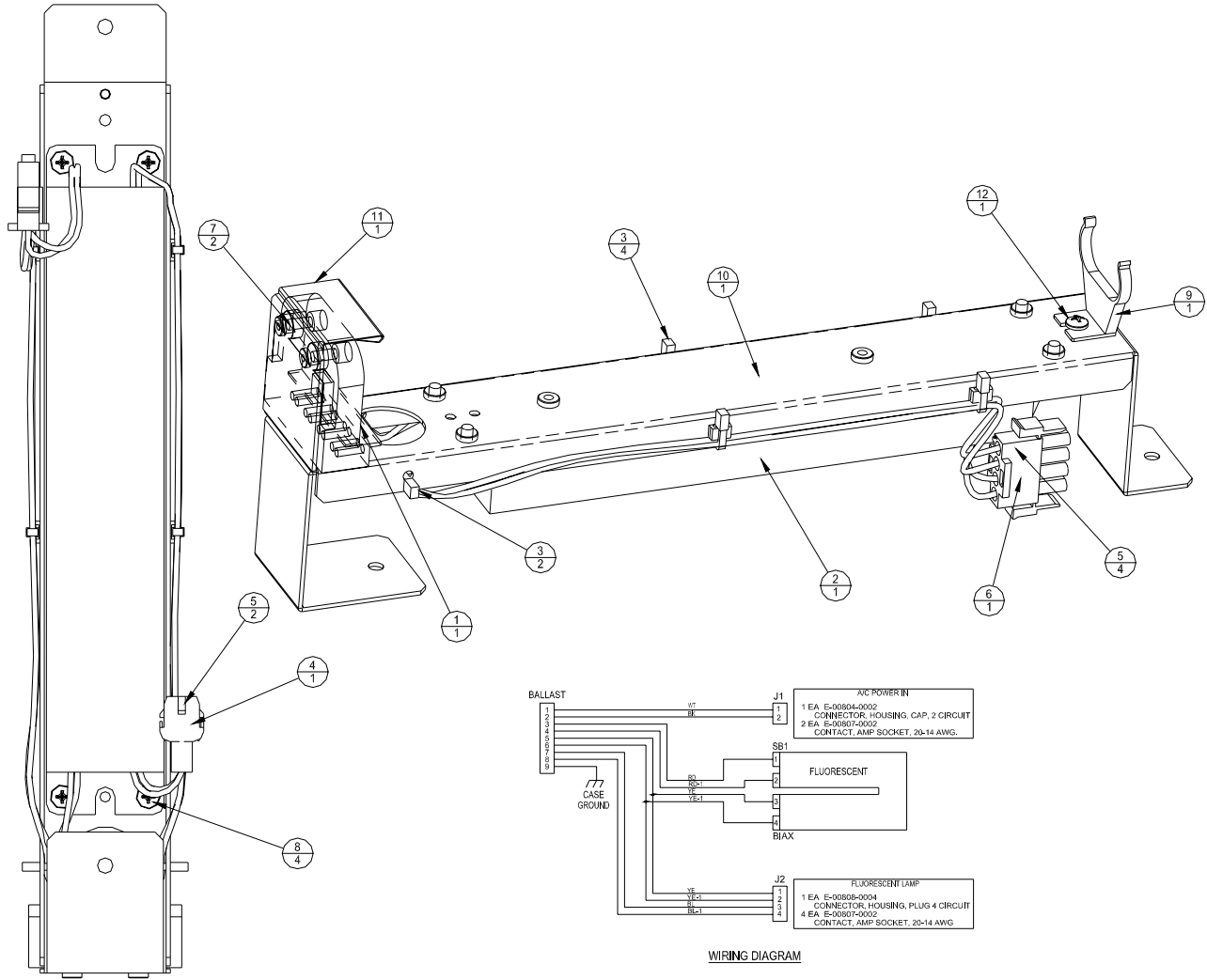
REF	PART #	DESCRIPTION	QTY
13	G-R0766	Glass, Raw	1
14	M-00319-0002	Elastic Stop Nut (ESNA)	8
15	M-02107-000B	Lens, 5mm LED, Blue	36
16	M-02108-0001	Retainer, LED Lens, 5mm	36
17	M-02109-0003	Housing, Marquee	1
18	M-03097-0009	Base, Tower Wide	1
19	MSPP-00632-1104	Screw, Mach Phil Pan Hd.	12
20	NLS-00832-1112	Hex Nut	8
21	NLS-01032-1112	Hex Nut	6
22	P-09319-0675	Washer, Ribbed	2
23	P-09319-0695	Anti-Vibration Bracket	1



## ProSlot® 6000

### Rectangle (Cont.) AS-04943-(SERIES)

Item 6 - Light Assembly, Dual 39W Biax with Ballast  
AS-03210-0113



REF	PART #	DESCRIPTION	QTY
1	E-00120-0277	Lamp Base, Twin	1
2	E-00409-0033	Ballast, Twin Lamp	1
3	E-00647-0004	Tie Wrap	6
4	E-00804-0002	Connector Housing Cap	1
5	E-00807-0002	Contact Socket, Amp 20-14 AWG	6
6	E-00808-0004	Connector Housing Plug	1

REF	PART #	DESCRIPTION	QTY
7	LSPP-00632-1106	Screw, Mach with Lock Phil Pan Hd	2
8	LSPP-00832-1106	Screw, Mach with Lock Phil Pan Hd	4
9	M-06004-0001	Clip, Lamp Support, Twin	1
10	P-09319-0694	Light Bracket Assembly, Twin Lamp	1
11	P-09319-0752	Bulb Retainer	1
12	TFPP-00832-1104	Screw, 8-32 x 1/4 Thd Form Phil Pan Hd	1

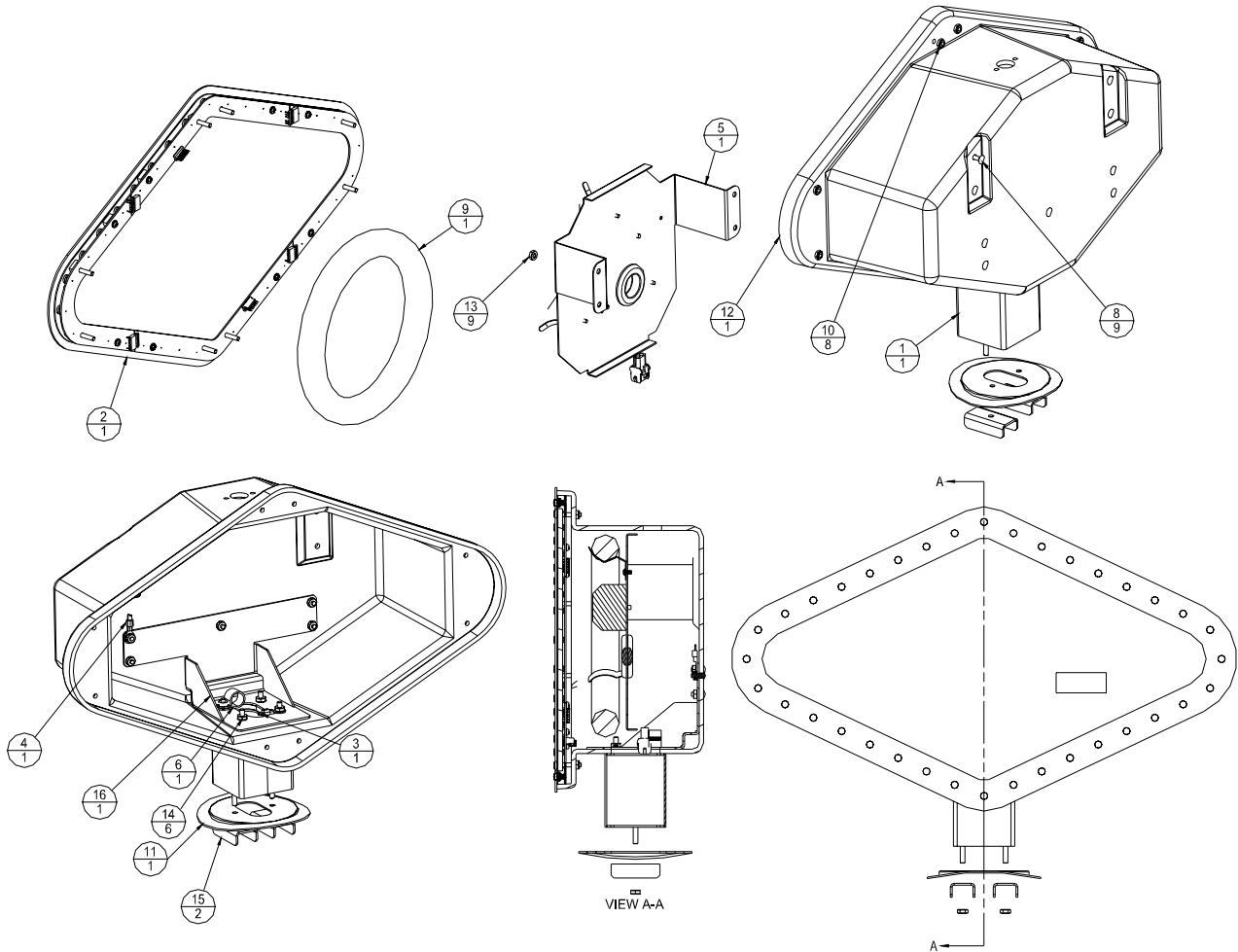
# ProSlot® 6000

Diamond

AS-04952-(SERIES)

AVAILABILITY:

PART #	DESCRIPTION
AS-04952-00P1	Diamond, 110V
AS-04952-01P1	Diamond, 220V



REF	PART #	DESCRIPTION	QTY
1	A-04933-0001	Mounting Bracket	1
2	A-04955-SERIES	Glass Bezel Assembly, PCB Diamond	1
3	AS-03106-0001	Ground Strap, 24-Inch (page 3B-12)	1
4	AS-03106-0004	Ground Strap, 12-Inch (page 3B-12)	1
5	AS-04930-0001	Light Bracket Assembly (page 3B-12)	1
6	C-00271-0008	Clip	1
7	CBL-30651-0001	Cable (Not Shown)	1
8	CBOR-00832-1808	#8 Carriage Bolt, 1/2-Inch Large	9

REF	PART #	DESCRIPTION	QTY
9	E-00412-0020	Lamp, Fluorescent, 8-25-Inch Round	1
10	M-00319-0002	Elastic, Stop Nut (ESNA)	8
11	M-03097-0009	Base, Tower Wide	1
12	M-03125-0005	Housing, Diamond Shape	1
13	NLS-00832-1112	Hex Nut	9
14	NLS-01032-1112	Hex Nut	6
15	P-09319-0675	Washer, Ribbed	2
16	I-09319-0695	Anti-Vibration Bracket	1

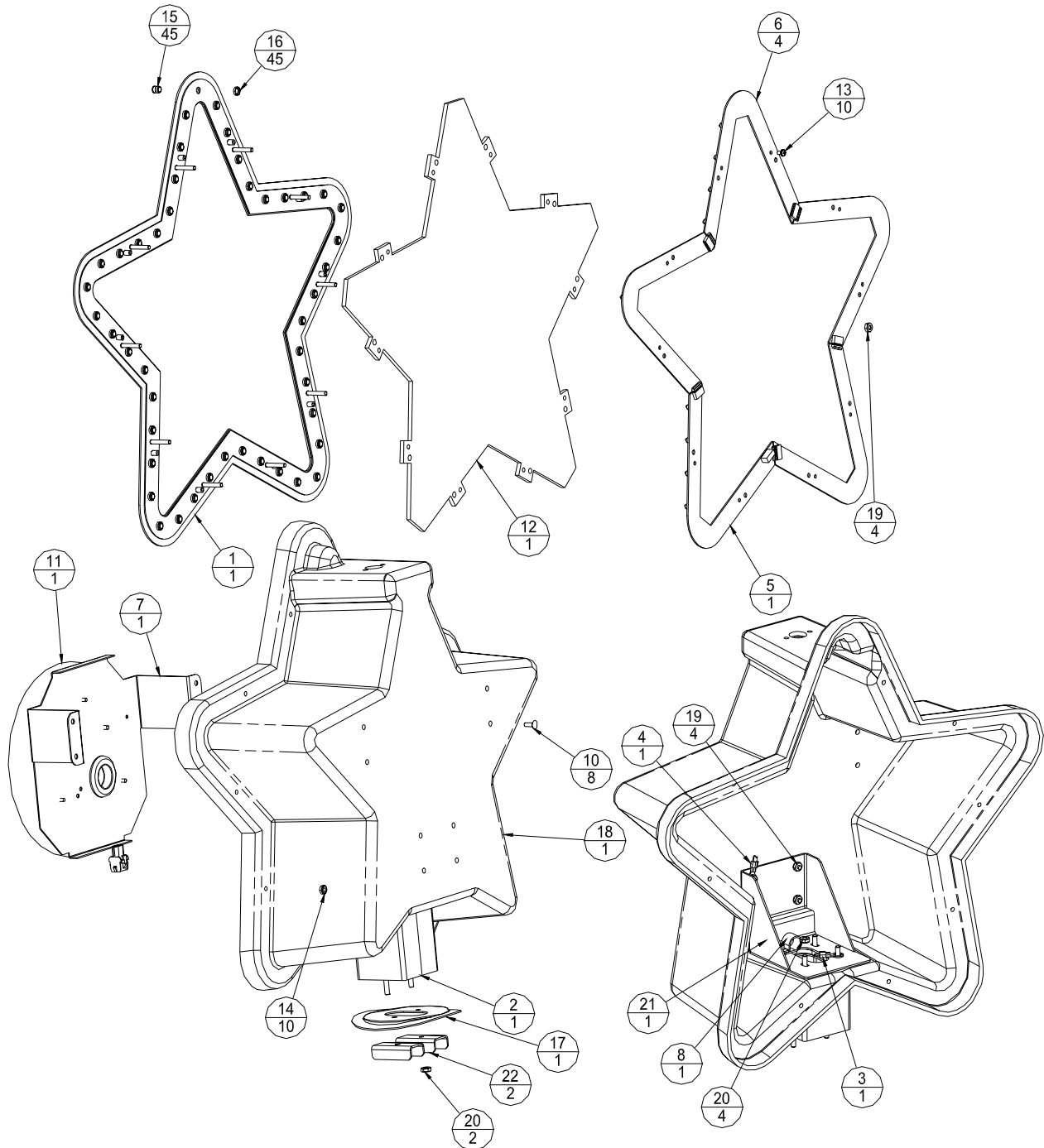
## ProSlot® 6000

Star

AS-04932-(SERIES)

AVAILABILITY:

PART #	DESCRIPTION
AS-04932-00P1	Star, Polished Chrome, 110V
AS-04932-00P4	Star, Polished Gold, 110V
AS-04932-01P1	Star, Polished Chrome, 220V



# ProSlot® 6000

Star (Cont.)

AS-04932-(SERIES)



NOTE: See module 14, Schematics, for circuit board assemblies.

REF	PART #	DESCRIPTION	QTY
1	A-04931-SERIES	Star Housing Trim Assembly	1
2	A-04933-0001	Mounting Bracket	1
3	AS-03106-0001	Ground Strap, 24-Inch (page 3B-12)	1
4	AS-03106-0004	Ground Strap, 12-Inch (page 3B-12)	1
5	AS-03356-0557	Star Power Circuit Board Assembly	1
6	AS-03356-0558	Star Circuit Board Assembly	4
7	AS-04930-0001	Light Bracket Assembly (page 3B-12)	1
8	C-00271-0009	Clip	1
9	CBL-30651-0001	Cable (Not Shown)	1
10	CBOR-00832-1808	#8 Carriage Bolt, 1/2-Inch Large	8
11	E-00412-0020	Lamp, Fluorescent, 8.25-Inch, Round	1

REF	PART #	DESCRIPTION	QTY
12	G-R0759	Glass, Marquee	1
13	LSPP-00632-1104	Screw, Mach with Lock Phil Pan Hd.	10
14	M-00319-0002	Elastic Stop Nut (ESNA)	10
15	M-02107-000C	Lens, 5mm LED, Clear	45
16	M-02108-0001	Retainer, LED Lens, 5mm	45
17	M-03097-0009	Base, Tower Wide	1
18	M-03125-0001	Star Plastic Housing	1
19	NLS-00832-1112	Hex Nut	8
20	NLS-01032-1112	Hex Nut	6
21	P-04932-0002	Anti-Vibration Bracket	1
22	P-09319-0675	Washer, Ribbed	2

LEGEND		
PART NUMBER	ITEM 1 STAR TRIM	ITEM 7 LIGHT ASSY
AS-04932-00P1	A-04931-00P1	AS-04930-0001
AS-04932-00P4	A-04931-00P4	AS-04930-0001
AS-04932-01P1	A-04931-00P1	AS-04930-0003
AS-04932-01P4	A-04931-00P4	AS-04930-0003