



MODULE 6

MK6-S6MOD-0002
MONTE CARLO

Bally Gaming and Systems

©2002 BALLY GAMING AND SYSTEMS ALL RIGHTS RESERVED

6601 South Bermuda Road, Las Vegas, NV 89119

**For Customer Service and Information:
+1-702-896-7772 outside the U.S.
1-877-GO BALLY (877) 462-2559 in the U.S. and Canada
896-7772 in Las Vegas
FAX +1-702-896-7710
or visit our website at <http://www.ballygaming.com>**



Module 6

Table of Contents

Overview	5
Specifications	5
Set UP	5
Software.....	5
Option Setting	5
Troubleshooting	5
Monte Carlo Parts and Hardware	6
Monte Carlo Programmable Devices	6
Monte Carlo Illumination	6
Wheel Control Unit	6
Monte Carlo Filigree	7
Transformer 110V	7
Transformer 220V	7
Lamp Sequencer Assembly	7
Starter/Ballast Assembly	7
Monte Carlo Top Box Assemblies	8
Neon Light Assembly	9
Light Wheel Assembly	9
Ball and Wheel Assembly	9
Wheel Graphics	9
Monte Carlo Top Box Door	11
Hinge Mounting Bracket	11
Monte Carlo Marquee Light	12
Monte Carlo System Panels	13
CTE/WTEP-08600-S655	13
MAG/OPTP-08600-S654	13
Monte Carlo Wiring	14
Monte Carlo Cables	14
Transformer, 110V	14
Power	15
Wheel/RCU/Light	17
Wheel Box Power	19
Cabinet Top	20
ProSound 21	21
Wheel Control	23
Monte Carlo Circuit Boards	24
Monte Carlo Circuit Boards	24
9-LED PCB Assembly	24
Wheel Control Unit	25





Module 6

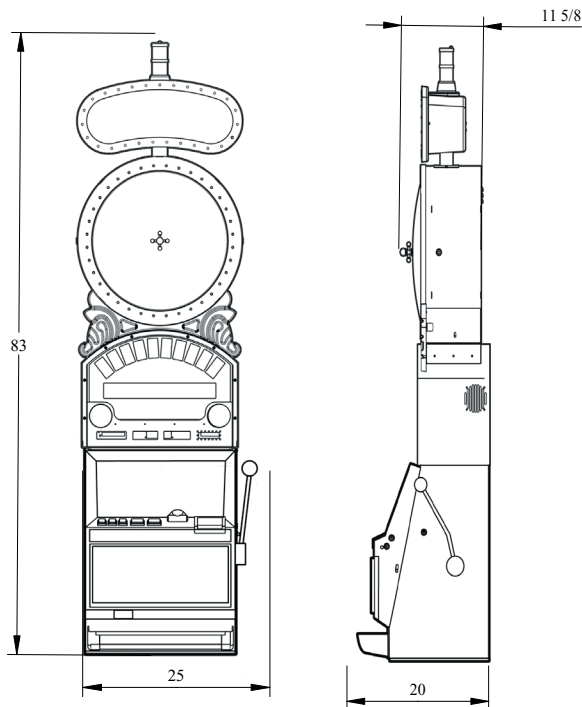
Monte Carlo

Overview

The Monte Carlo Oval Top is a second-feature bonus promotion added to a ProSlot® 6000 machine with a progressive jackpot. Incorporated into the top is a bonus wheel, activating when the Monte Carlo symbol appears on the payline. The Player is prompted to press the SPIN button to put the ball in motion. The Player receives the bonus amount where the ball stops. The wheel also has a super jackpot position that pays the progressive jackpot.

Besides the bonus wheel and progressive jackpot, the Monte Carlo will also award 10 free games when the symbol appears on the payline. The Player receives 20 credits and is instructed to press the SPIN button to begin the automatic completion of 10 games. Each of the 10 games will be a winner, and the wins will be doubled—including, possibly, the progressive jackpot.

Specifications



Dimensions and Weight			
A	Height	83"	210.82 cm
B	Width	25"	63.50 cm
C	Depth	20"	50.80 cm
	Weight	265 lbs	120.20 Kg

Set UP

Software

The Monte Carlo requires Main program version S6M10000007-06 or later with Bally Secondary Game (BSG) and Peripheral Device (PRD) protocol enabled by setting switches 4 and 6 of DIP switch package DS1 to OFF (See Module 2 of the Operator's Instruction Manual for more information). A SafeRAM™ Clear procedure is required for the settings to take effect.

Option Setting

The Monte Carlo has a progressive jackpot controlled by a Mikohn ChamII+® progressive controller. The controller requires the following machine Option settings (See Module 7 of the Operator's Instruction Manual for more information).

Troubleshooting

The following table lists exception codes that may appear in the WIN PAID section of the Message Center while all doors are closed:

Monte Carlo Machine Option Settings		
OPTION	SETTING	DESCRIPTION
02	0004	Enables S/MPI operation for serial communication
07	0001	Designates one external Jackpot
78L	0001	Specifies unique machine ID for the ChamII+ controller

91FF

If the wheel malfunctions, the WIN PAID will display 91FF until the feature malfunction is corrected. This exception code will disappear when the problem is

Table of Monte Carlo Exception Codes	
Code	Description
91FF	Feature Fault
91nC	No Communication
77	Secondary Device Communication Fault

corrected.

91nC

If serial communication is lost between the Hand-held Unit (HHU) port of the ProSlot® MPU and the wheel, the WIN PAID will show 91nC. The exception code will disappear when communication is restored.

77

If serial communication is lost between the wheel and

Troubleshooting (cont.)

the ProSlot® MPU during a game, the machine will tilt with “77” showing in WIN PAID. Tilt recovery may be possible.

86

This code results from failure after “77” tilt. Activation of the keyswitch is required to restore operation, otherwise no tilt recovery is possible.

91JP/Pd

This code is the result of keyswitch activation after an “86” code. The game is voided, or the Player has been paid by the Attendant.

Service Notes:

Access through the Top Door requires two keys. The door has locks on opposite sides.

The Top Door is removable. Disconnect the cable and extend out to 45 degrees then lift from hinge.



Monte Carlo Parts and Hardware

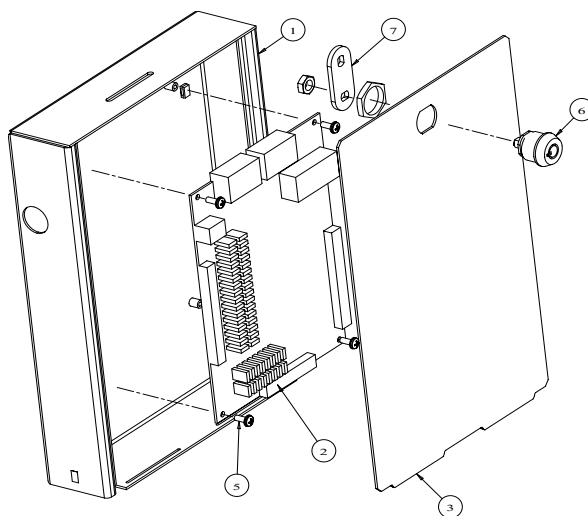
Monte Carlo Programmable Devices

Monte Carlo Programmable Devices		
Part #	Description	Where Used
E-00867-0046	(Blank) EPROM, IC, 8 MEG, 1M X 8, 120 NS	AS-003356-0565 Wheel Control Unit Board
G2S0100S1RCU-01	Programmed EPROM	
PS2MOC092801-00	Pro Sound 2 Program	AS-03356-0512 Pro Sound 2 Sound Board

Monte Carlo Illumination

Monte Carlo Illumination	
Part #	Description
E-00120-0269	Socket, Lamp, PCB, T3-1/4
E-00125-0089	Lamp, Incadescent, #159
E-00128-0120	Lamp, #193, T3-1/4, 14V, Wedge Base
E-00411-0008	Flourescent Starter FS2
E-00412-0013	Lamp, Flourescent, F15T8/CW
E-00413-0001	Lamp, Neon

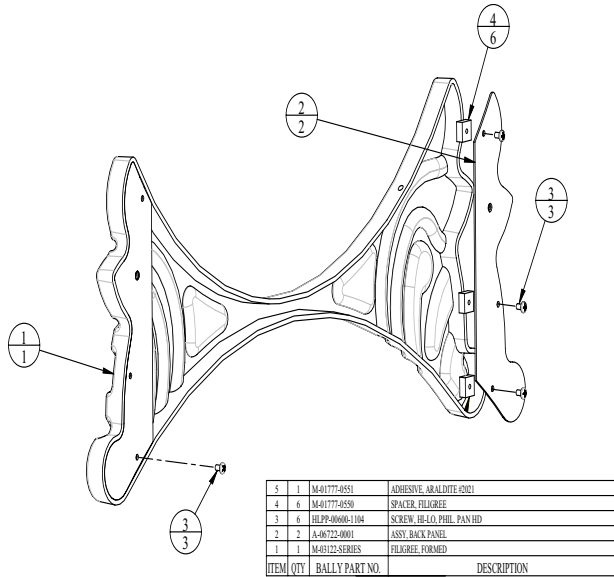
Wheel Control Unit AS-02159-0001



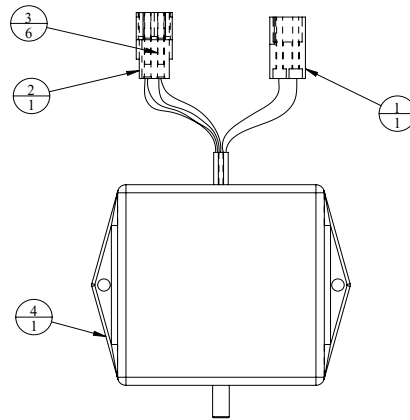
6	1	P-00758-0094	CAM, BILL ACCEPTOR, STACKER, M-0281-132
5	1	M-00281-162A	LOCK, NO CAM, DOOR/BILL ACC.
4	4	LSPP-00632-1106	SCREW, MACH W/LOCK PHIL PAN. HD.
3	1	P-06719-0007	RCU DOOR
2	1	AS-03356-0535	RCU BOARD
1	1	P-06719-0006	RCU BOX
ITEM	QTY	BALLY PART NO.	DESCRIPTION



**Monte Carlo Filigree
AS-02157-SERIES**



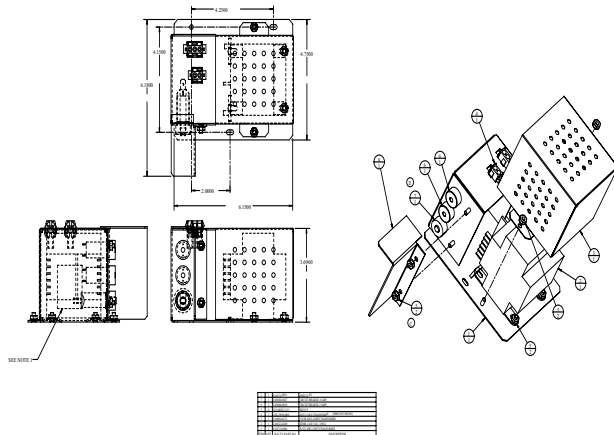
**Lamp Sequencer Assembly
E-00664-0616**



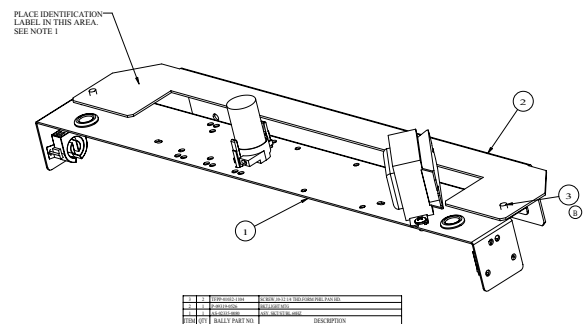
ITEM	QTY	BALLY PART NO.	DESCRIPTION
4	1	E-00664-0616	1 LAMP SEQUENCER
3	6	E-00661-0003	PIN, MOLEX
2	1	E-00660-0400	CONNECTOR, 4 PIN, MOLEX
1	1	E-00660-0200	CONNECTOR, MOLEX PLUG

WIRING TABLE			
WIRE COLOR	WIRE USE	2 PIN CONNECTOR PIN ASSIGNMENTS	4 PIN CONNECTOR PIN ASSIGNMENTS
BLACK	AC IN	1	---
BLACK/WHITE	AC IN	2	---
WHITE	LAMP COMMON	---	4
RED	LAMP 1	---	1
ORANGE	LAMP 2	---	2
BLUE	LAMP 3	---	3

**Transformer 110V
(AS-02155-0001)
Transformer 220V
(AS-02155-0002)**

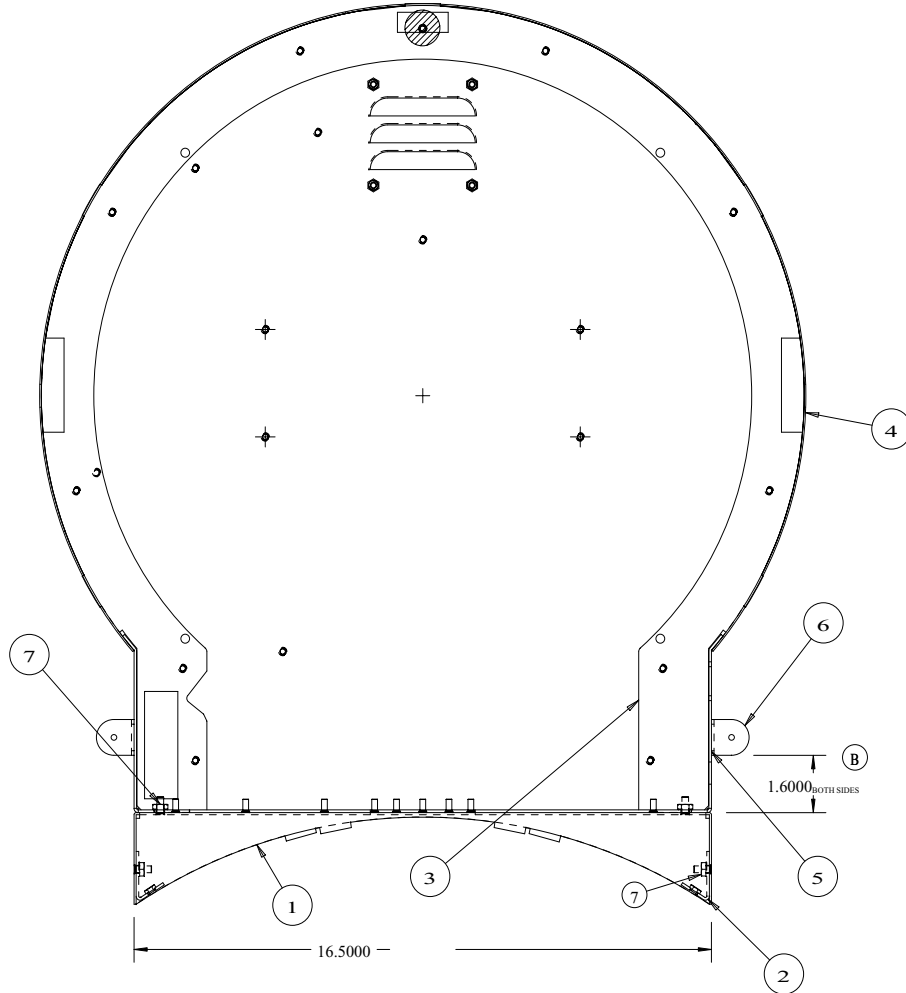


**Starter/Ballast Assembly, 60 Hz
AS-02161-0001**



Monte Carlo Top Box Assemblies

Monte Carlo Top Box Assemblies	
Part #	Description
K-01400-0130	110 V, BLK/GLD
K-01400-0230	220 V, BLK/GLD
K-01400-1130	110 V, BLK/CHR
K-01400-1230	220 V, BLK/CHR



A - 06718 - 0 X XX

SEE TABLE A, PC-SPEC-0001 FOR POWDER COATING.

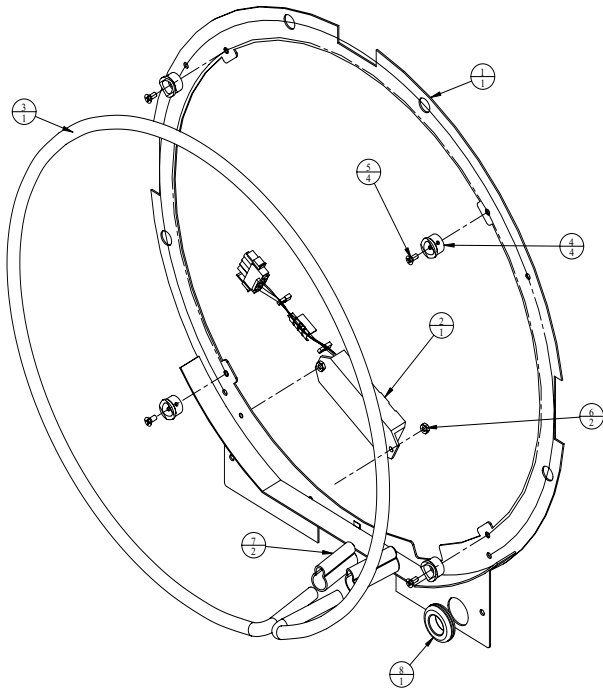
BASE PLATE, ITEM 1
 0- P-06714-0006, MONTE CARLO
 1- P-06714-0009, IT'S SATURDAY NIGHT

(E)

7	10	NLS-01032-1112	HEX NUT
6	2	P-06718-0006	MOUNTING TAB
5	1	P-06718-0005	BASE HOUSING
4	1	P-06718-0004	WRAP TOP
3	1	P-06718-0002	FRONT HOUSING
2	2	P-06714-0008	BRACKET, TOP PLT MTG
1	1	P-06714-0006	PLATE, MTG. CABINET TOP
ITEM	QTY	BALLY PART NO.	DESCRIPTION

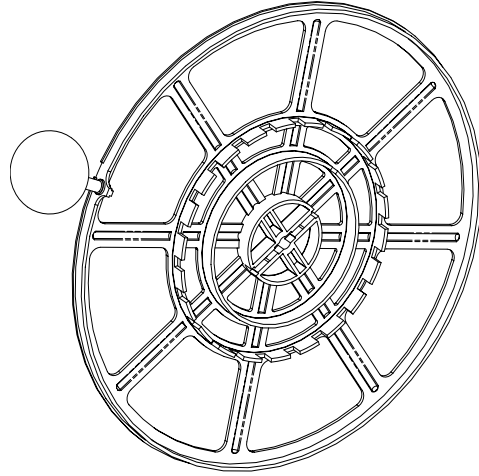


Neon Light Assembly AS-02154-0001



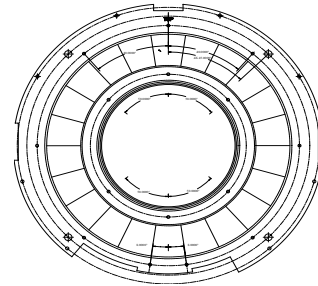
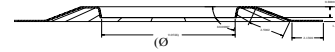
Q	1	WP-AS206-200	WIRE COPPER 20 GA BARE
A	1	E-0011-0002	GROUND SET 1/8 ID
1	2	P-00150-0007	INSULATOR NEON TUBE
A	2	NLS-0002-1112	NEON
2	4	MSP-0002-1108	SCREW MACHINE PHH. FLAT HD. 42 DEG.
4	4	M-0110-0004	SUPPORT NEON
2	1	E-0011-0001	TUBE NEON
1	1	AS-0002-0006	WDT. NEON POWER SUPPLY
1	1	A-0019-0001	NEON CASE
ITEM QTY	BALLY PART NO.	DESCRIPTION	

Ball and Wheel Assembly AS-02163-0001

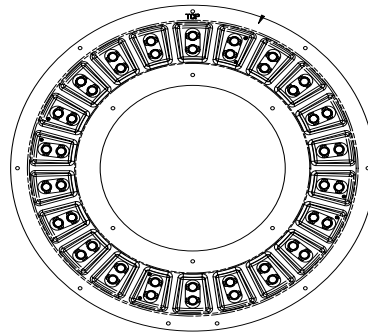
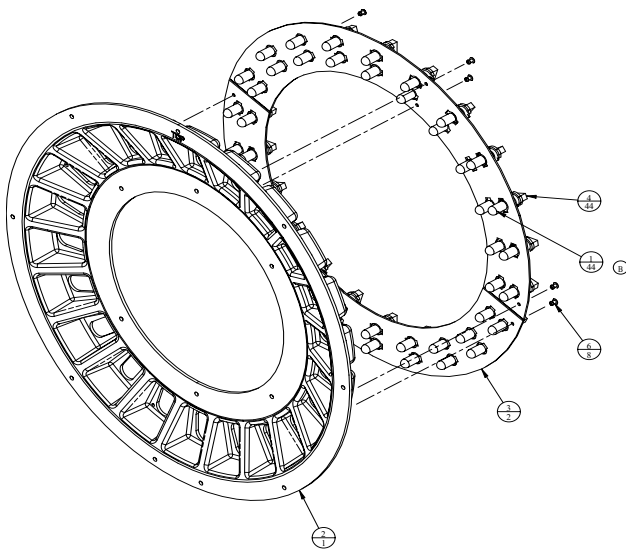


1	1	TPP-0001-1102	SCREW 4.40 X 1.4 THERMO PHIL PAN HD
1	1	EA0002-0000	BALL W/SHA FLAT
1	1	A-0070-0001	WDT. WHEEL BALL
ITEM QTY	BALLY PART NO.	DESCRIPTION	

Wheel Graphics C-R0751



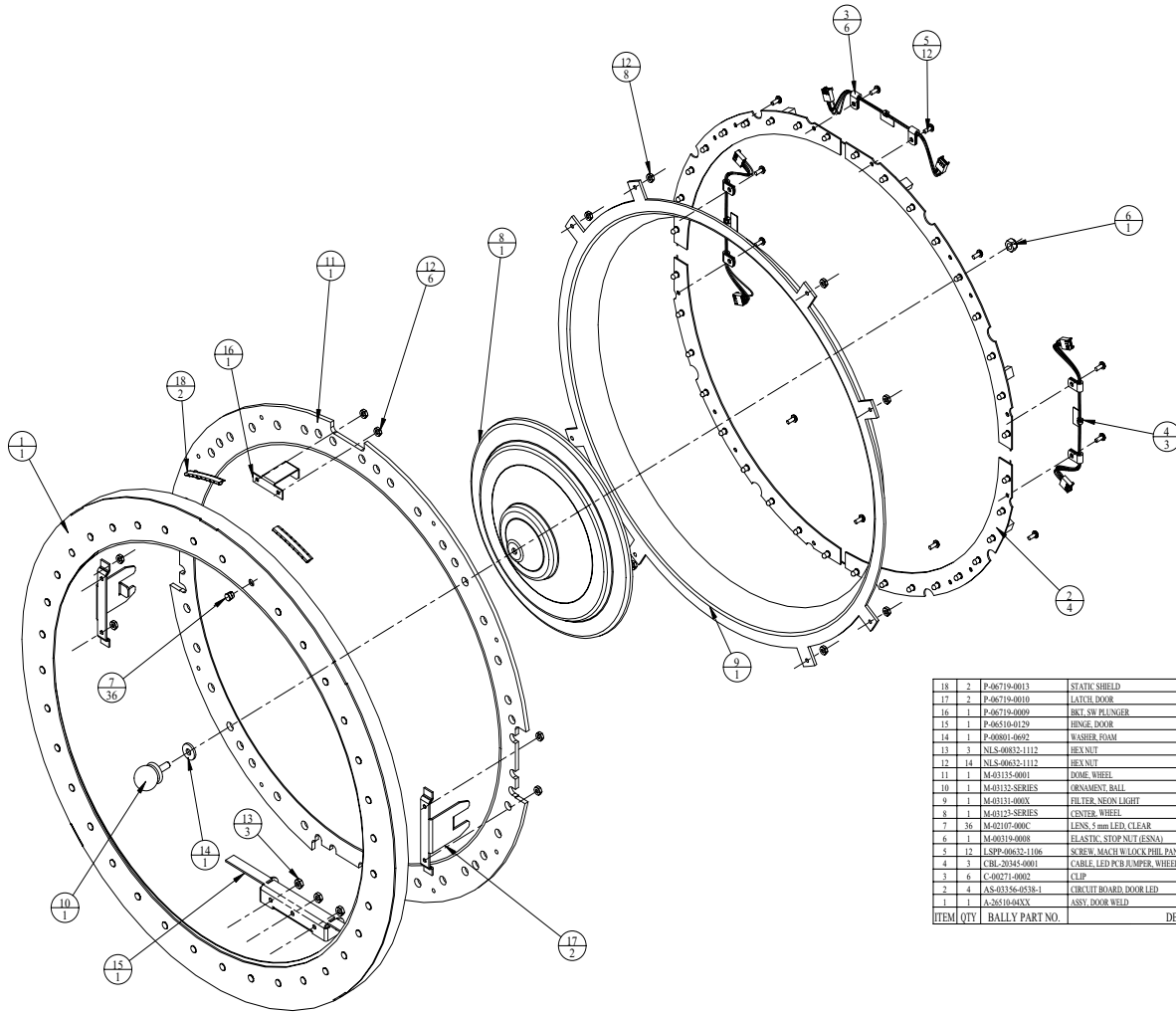
Light Wheel Assembly AS-02162-0001



Q	8	M-0010-0102	1/8 POP RIVET
1	24	E-0012-0000	SOCKET LAMP PCB T1-14
1	1	EA0002-0000	FLUOR BOARD
1	1	M-0008-0178	METAL CAN VACUUM FORMED
1	1	E-0002-0001	LAMP INCANDESCENT 40W
ITEM QTY	BALLY PART NO.	DESCRIPTION	

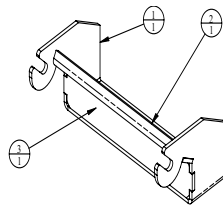


Monte Carlo Top Box Door (AS-02153-SERIES)



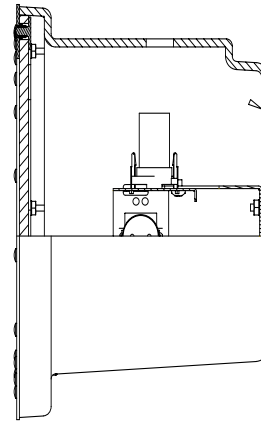
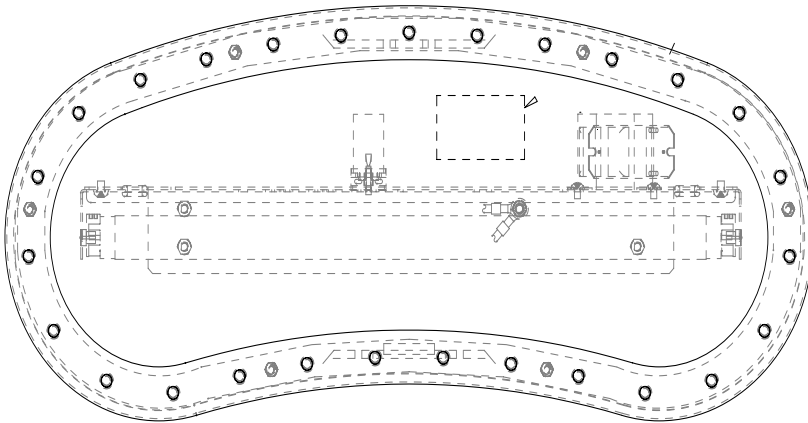
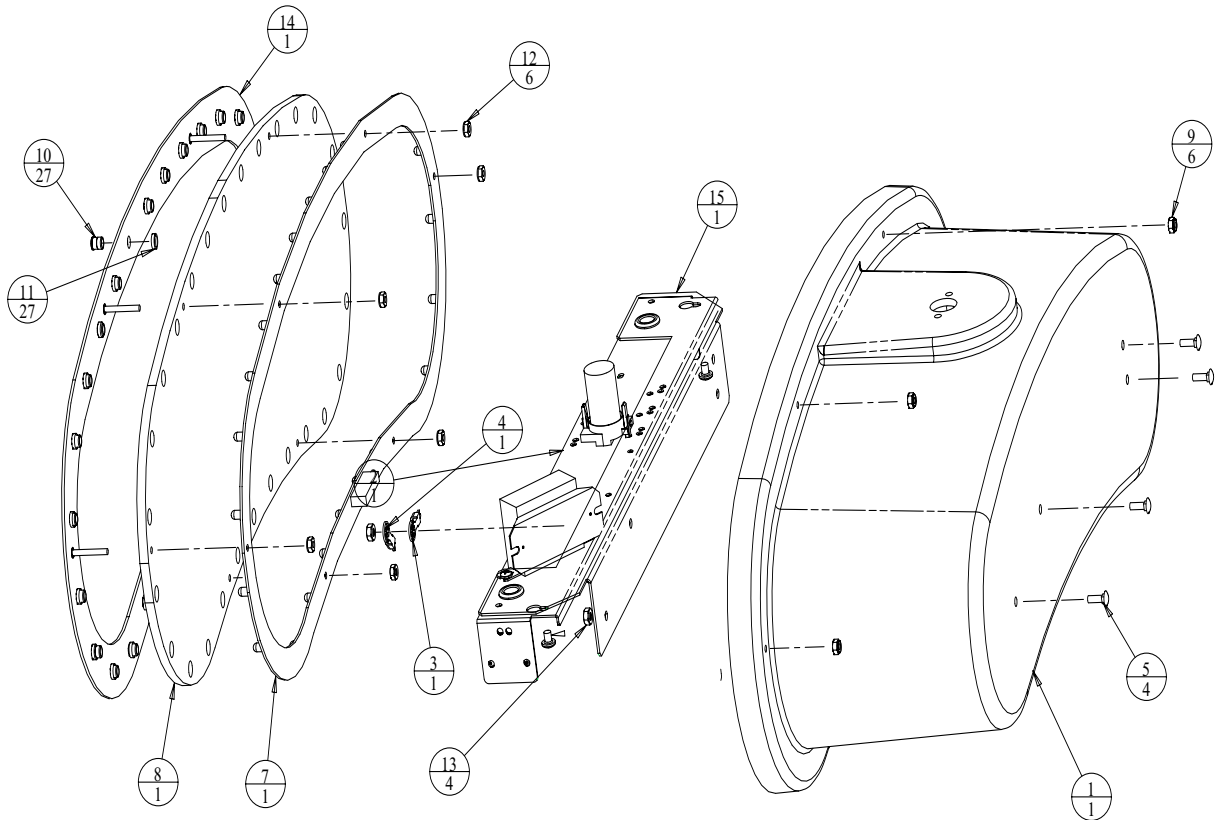
18	2	P-06719-0013	STATIC SHIELD
17	2	P-06719-0010	LATCH DOOR
16	1	P-06510-0009	BRKT. SW. PLUNGER
15	1	P-06510-0129	HINGE DOOR
14	1	P-00801-0692	WASHER, FOAM
13	3	NLS-00832-1112	HEX NUT
12	14	NLS-00632-1112	HEX NUT
11	1	M-01132-0001	DOME WHEEL
10	1	M-01132-SERIES	ORNAMENT BALL
9	1	M-01131-000X	FILTER, NEON LIGHT
8	1	M-01132-SERIES	CENTER WHEEL
7	36	M-02107-000C	LENS, 3mm LED CLEAR
6	1	M-0019-0008	ELASTIC STOP NUT (ESNA)
5	12	LSP-00632-1106	SCREW, MACH W/ LOCK PHBL PAN, HD
4	3	CHL-20245-0001	CABLE, LED PCB JUMPER, WHEEL
3	6	C-06271-0002	CLIP
2	4	AS-03356-0538-1	CIRCUIT BOARD DOOR LED
1	1	A-36510-04XX	ASSY. DOOR WELD
ITEM	QTY	BALLY PART NO.	DESCRIPTION

Hinge Mounting Bracket P-06510-0125



3	1	P-06510-0125-3	COVER BRKT
2	1	P-06510-0125-2	SUPPORT BRKT
1	1	P-06510-0125-1	BRKT. HINGE MNTG
ITEM	QTY	BALLY PART NO.	DESCRIPTION

**Monte Carlo Marquee Light
AS-02150-SERIES**

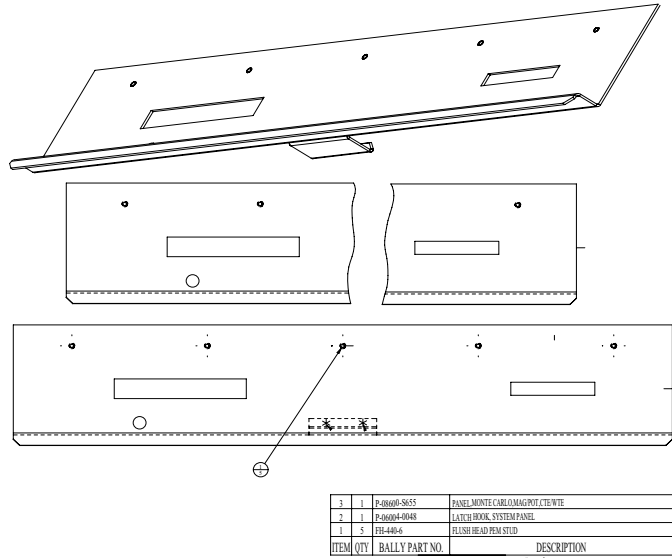


ITEM	QTY	BALLY PART NO.	DESCRIPTION
16	2	TFPP-01032-1104	SCREW, 10-32 1/4 THD. FORM PHIL PAN HD
15	1	P-09319-0526	BKT, LIGHT MTG
14	1	P-06720-00XX	TRIM, HOUSING, W/STUDS, PLATED
13	4	NLS-00832-1112	HEX NUT
12	6	NLS-00832-1112	HEX NUT
11	27	M-02108-0001	RETAINER, LED LENS, 5 MM
10	27	M-02107-000C	LENS, 5 MM LED, CLEAR
9	6	M-00319-0006	ELASTIC, STOP NUT (ESNA)
8	1	G-R0752	GLASS, TOPPER, SILK (REF)
7	1	AS-03356-0546	ASSY, CIRCUIT BOARD, MARQUEE
6	1	E-00412-0013	LAMP, FLOURESCENTF1ST8/CW
5	4	CBOR-00832-1808	#8 CARRAIGE BOLT 1/2" LG
4	1	AS-03106-0006	GROUND STRAP, 6" LENGTH
3	1	AS-03106-0004	GROUD STRAP, 12" LENGTH
2	1	AS-02335-0080	ASY, SKT/ST/BL.60HZ
1	1	M-02200-0001	HOUSING, PLASTIC
ITEM	QTY	BALLY PART NO.	DESCRIPTION

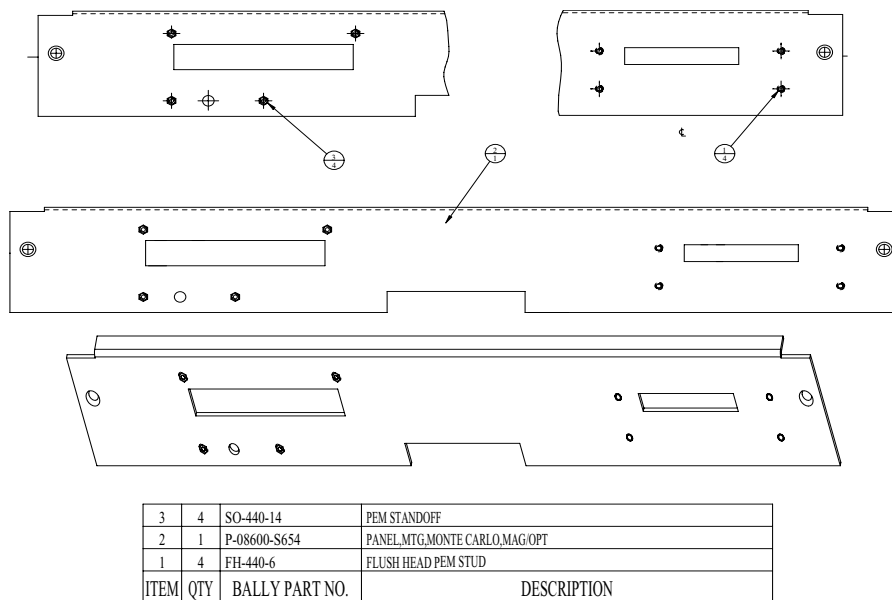


Monte Carlo System Panels

**CTE/WTE
P-08600-S655**

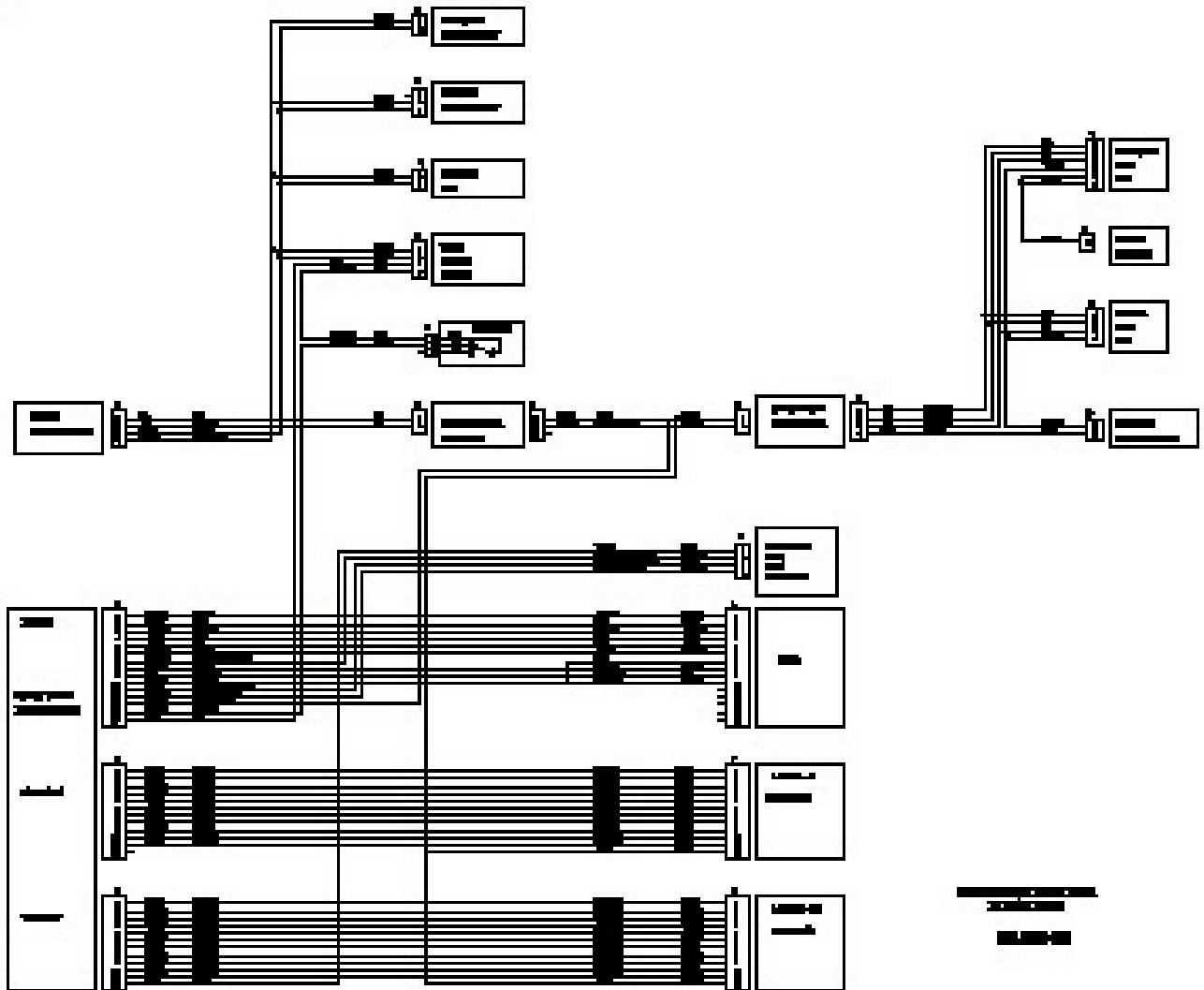


**MAG/OPT
P-08600-S654**





Power
CBL-30600-0001



(Continued)

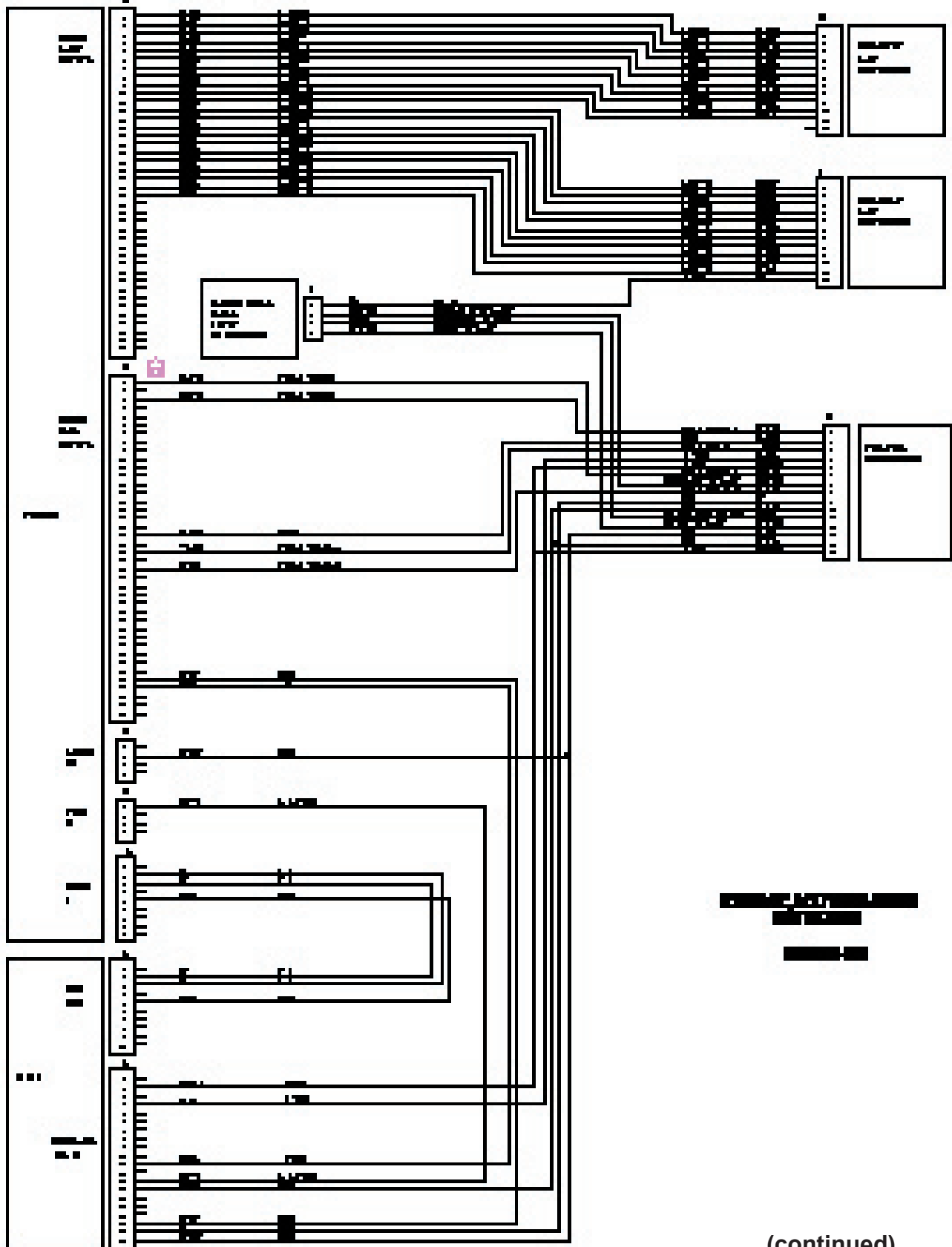
Power (cont.)
CBL-30600-0001

WIRING LIST

WIRE NO.	FROM	TO	TERMINAL	WIRE
1	100	101	101	100
2	102	103	103	102
3	104	105	105	104
4	106	107	107	106
5	108	109	109	108
6	110	111	111	110
7	112	113	113	112
8	114	115	115	114
9	116	117	117	116
10	118	119	119	118
11	120	121	121	120
12	122	123	123	122
13	124	125	125	124
14	126	127	127	126
15	128	129	129	128
16	130	131	131	130
17	132	133	133	132
18	134	135	135	134
19	136	137	137	136
20	138	139	139	138
21	140	141	141	140
22	142	143	143	142
23	144	145	145	144
24	146	147	147	146
25	148	149	149	148
26	150	151	151	150
27	152	153	153	152
28	154	155	155	154
29	156	157	157	156
30	158	159	159	158
31	160	161	161	160
32	162	163	163	162
33	164	165	165	164
34	166	167	167	166
35	168	169	169	168
36	170	171	171	170
37	172	173	173	172
38	174	175	175	174
39	176	177	177	176
40	178	179	179	178
41	180	181	181	180
42	182	183	183	182
43	184	185	185	184
44	186	187	187	186
45	188	189	189	188
46	190	191	191	190
47	192	193	193	192
48	194	195	195	194
49	196	197	197	196
50	198	199	199	198
51	200	201	201	200
52	202	203	203	202
53	204	205	205	204
54	206	207	207	206
55	208	209	209	208
56	210	211	211	210
57	212	213	213	212
58	214	215	215	214
59	216	217	217	216
60	218	219	219	218
61	220	221	221	220
62	222	223	223	222
63	224	225	225	224
64	226	227	227	226
65	228	229	229	228
66	230	231	231	230
67	232	233	233	232
68	234	235	235	234
69	236	237	237	236
70	238	239	239	238
71	240	241	241	240
72	242	243	243	242
73	244	245	245	244
74	246	247	247	246
75	248	249	249	248
76	250	251	251	250
77	252	253	253	252
78	254	255	255	254
79	256	257	257	256
80	258	259	259	258
81	260	261	261	260
82	262	263	263	262
83	264	265	265	264
84	266	267	267	266
85	268	269	269	268
86	270	271	271	270
87	272	273	273	272
88	274	275	275	274
89	276	277	277	276
90	278	279	279	278
91	280	281	281	280
92	282	283	283	282
93	284	285	285	284
94	286	287	287	286
95	288	289	289	288
96	290	291	291	290
97	292	293	293	292
98	294	295	295	294
99	296	297	297	296
100	298	299	299	298
101	300	301	301	300
102	302	303	303	302
103	304	305	305	304
104	306	307	307	306
105	308	309	309	308
106	310	311	311	310
107	312	313	313	312
108	314	315	315	314
109	316	317	317	316
110	318	319	319	318
111	320	321	321	320
112	322	323	323	322
113	324	325	325	324
114	326	327	327	326
115	328	329	329	328
116	330	331	331	330
117	332	333	333	332
118	334	335	335	334
119	336	337	337	336
120	338	339	339	338
121	340	341	341	340
122	342	343	343	342
123	344	345	345	344
124	346	347	347	346
125	348	349	349	348
126	350	351	351	350
127	352	353	353	352
128	354	355	355	354
129	356	357	357	356
130	358	359	359	358
131	360	361	361	360
132	362	363	363	362
133	364	365	365	364
134	366	367	367	366
135	368	369	369	368
136	370	371	371	370
137	372	373	373	372
138	374	375	375	374
139	376	377	377	376
140	378	379	379	378
141	380	381	381	380
142	382	383	383	382
143	384	385	385	384
144	386	387	387	386
145	388	389	389	388
146	390	391	391	390
147	392	393	393	392
148	394	395	395	394
149	396	397	397	396
150	398	399	399	398
151	400	401	401	400
152	402	403	403	402
153	404	405	405	404
154	406	407	407	406
155	408	409	409	408
156	410	411	411	410
157	412	413	413	412
158	414	415	415	414
159	416	417	417	416
160	418	419	419	418
161	420	421	421	420
162	422	423	423	422
163	424	425	425	424
164	426	427	427	426
165	428	429	429	428
166	430	431	431	430
167	432	433	433	432
168	434	435	435	434
169	436	437	437	436
170	438	439	439	438
171	440	441	441	440
172	442	443	443	442
173	444	445	445	444
174	446	447	447	446
175	448	449	449	448
176	450	451	451	450
177	452	453	453	452
178	454	455	455	454
179	456	457	457	456
180	458	459	459	458
181	460	461	461	460
182	462	463	463	462
183	464	465	465	464
184	466	467	467	466
185	468	469	469	468
186	470	471	471	470
187	472	473	473	472
188	474	475	475	474
189	476	477	477	476
190	478	479	479	478
191	480	481	481	480
192	482	483	483	482
193	484	485	485	484
194	486	487	487	486
195	488	489	489	488
196	490	491	491	490
197	492	493	493	492
198	494	495	495	494
199	496	497	497	496
200	498	499	499	498
201	500	501	501	500
202	502	503	503	502
203	504	505	505	504
204	506	507	507	506
205	508	509	509	508
206	510	511	511	510
207	512	513	513	512
208	514	515	515	514
209	516	517	517	516
210	518	519	519	518
211	520	521	521	520
212	522	523	523	522
213	524	525	525	524
214	526	527	527	526
215	528	529	529	528
216	530	531	531	530
217	532	533	533	532
218	534	535	535	534
219	536	537	537	536
220	538	539	539	538
221	540	541	541	540
222	542	543	543	542
223	544	545	545	544
224	546	547	547	546
225	548	549	549	548
226	550	551	551	550
227	552	553	553	552
228	554	555	555	554
229	556	557	557	556
230	558	559	559	558
231	560	561	561	560
232	562	563	563	562
233	564	565	565	564
234	566	567	567	566
235	568	569	569	568
236	570	571	571	570
237	572	573	573	572
238	574	575	575	574
239	576	577	577	576
240	578	579	579	578
241	580	581	581	580
242	582	583	583	582
243	584	585	585	584
244	586	587	587	586
245	588	589	589	588
246	590	591	591	590
247	592	593	593	592
248	594	595	595	594
249	596	597	597	596
250	598	599	599	598
251	600	601	601	600
252	602	603	603	602
253	604	605	605	604
254	606	607	607	606
255	608	609	609	608
256	610	611	611	610
257	612	613	613	612
258	614	615	615	614
259	616	617	617	616
260	618	619	619	618
261	620	621	621	620
262	622	623	623	622
263	624	625	625	624
264	626	627	627	626
265	628	629	629	628
266	630	631	631	630
267	632	633	633	632
268	634	635	635	634
269	636	637	637	636
270	638	639	639	638
271	640	641	641	640
272	642	643	643	642
273	644	645	645	



Wheel/RCU/Light
CBL-30599-0001

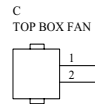
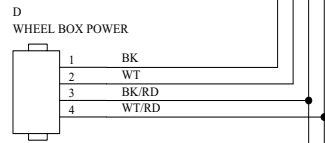
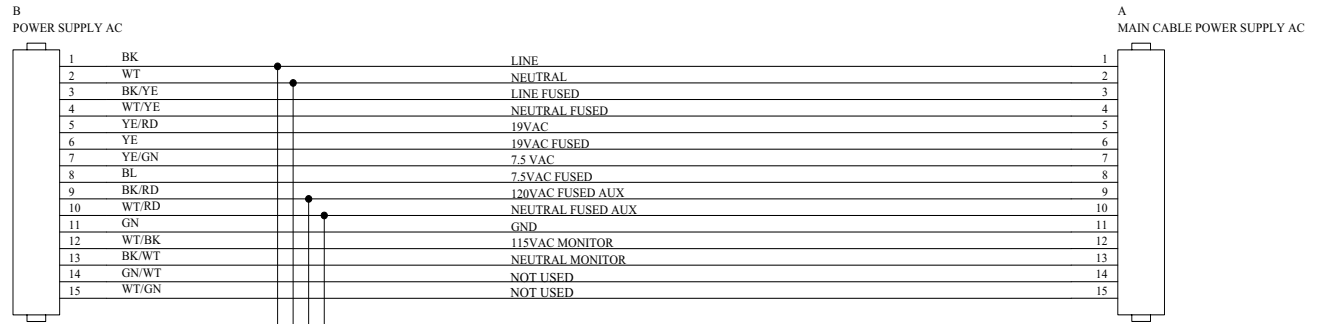


WHEEL/RCU/LIGHT
CBL-30599-0001

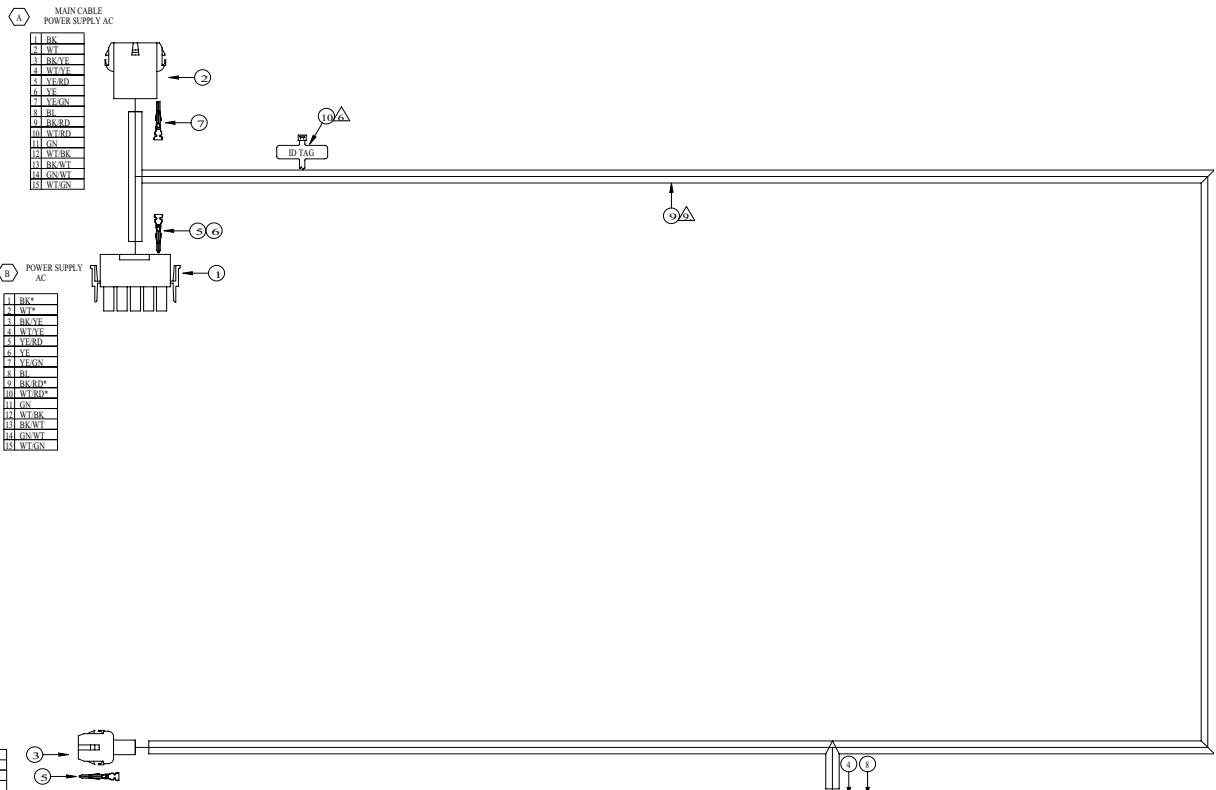
(continued)



Wheel Box Power CBL-30590-0001



Schematic
CBL-30590-0001



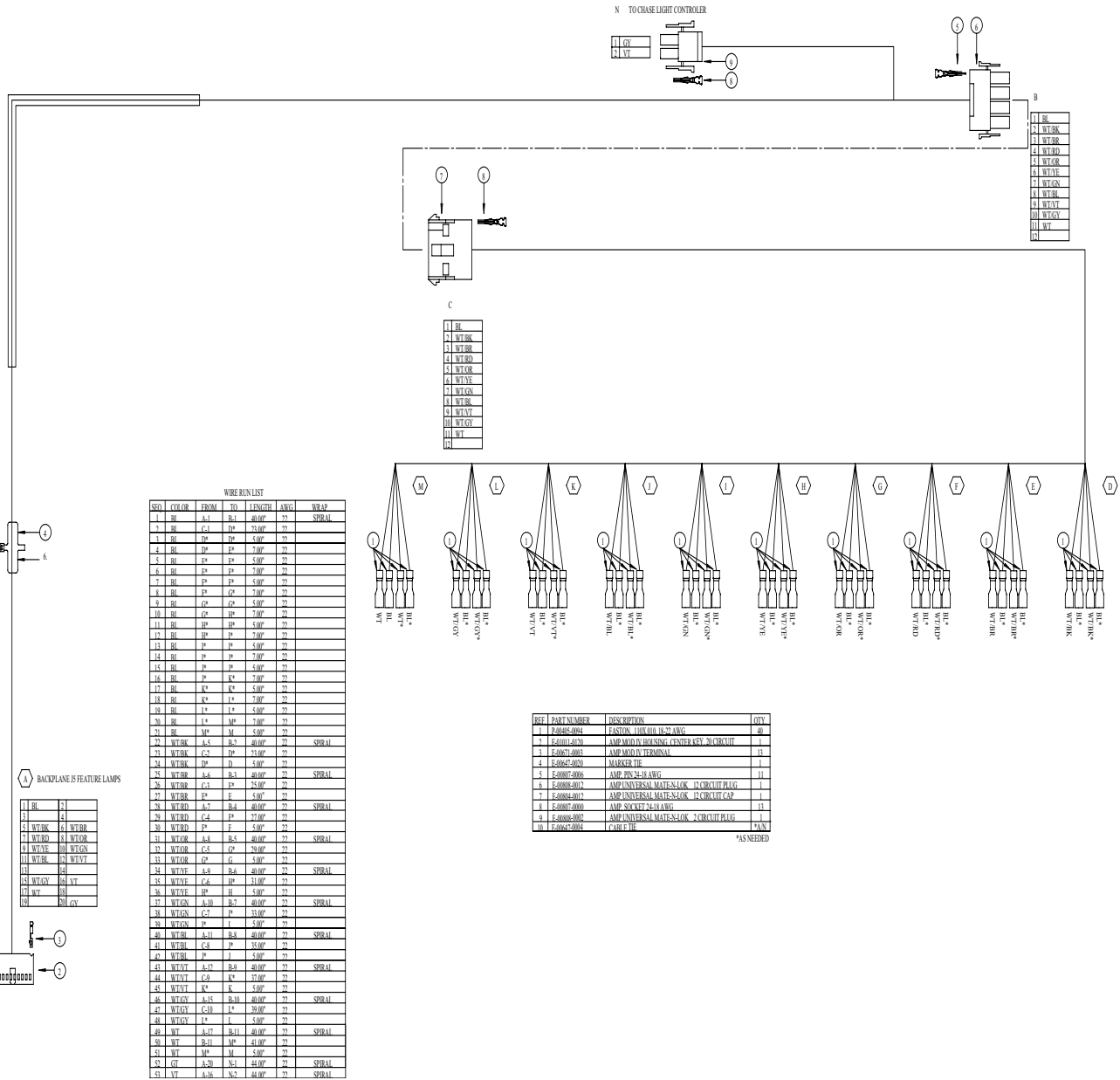
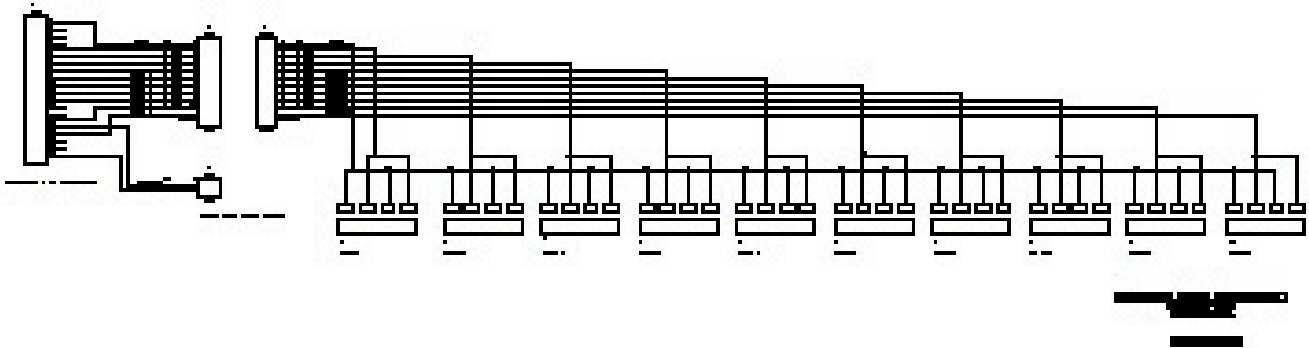
MATERIAL LIST

1	E-0088-0015	CONNECTOR HOUSING PLUG 15 CIRCUIT	1
2	E-0088-0015	CONNECTOR HOUSING CAP 15 CIRCUIT	1
3	E-0088-0004	CONNECTOR HOUSING CAP 4 CIRCUIT	1
4	E-0066-0002	RECEPTACLE MOLEX (BY 2) CIRCUIT	1
5	E-0087-0006	CONTACT AMP PIN 24-18 AWG	15
6	E-0087-0008	CONTACT AMP PIN 26-14 AWG	4
7	E-0087-0009	CONTACT AMP SOCKET 24-18 AWG	15
8	E-0066-0001	CONTACT MOLEX SOCKET 26-14 AWG	2
9	M-0177-5000	SPIRAL WRAP	-
10	E-0067-0003	MARKER TAG	1
11	E-0067-0004	CABLE WIRE TIE	1

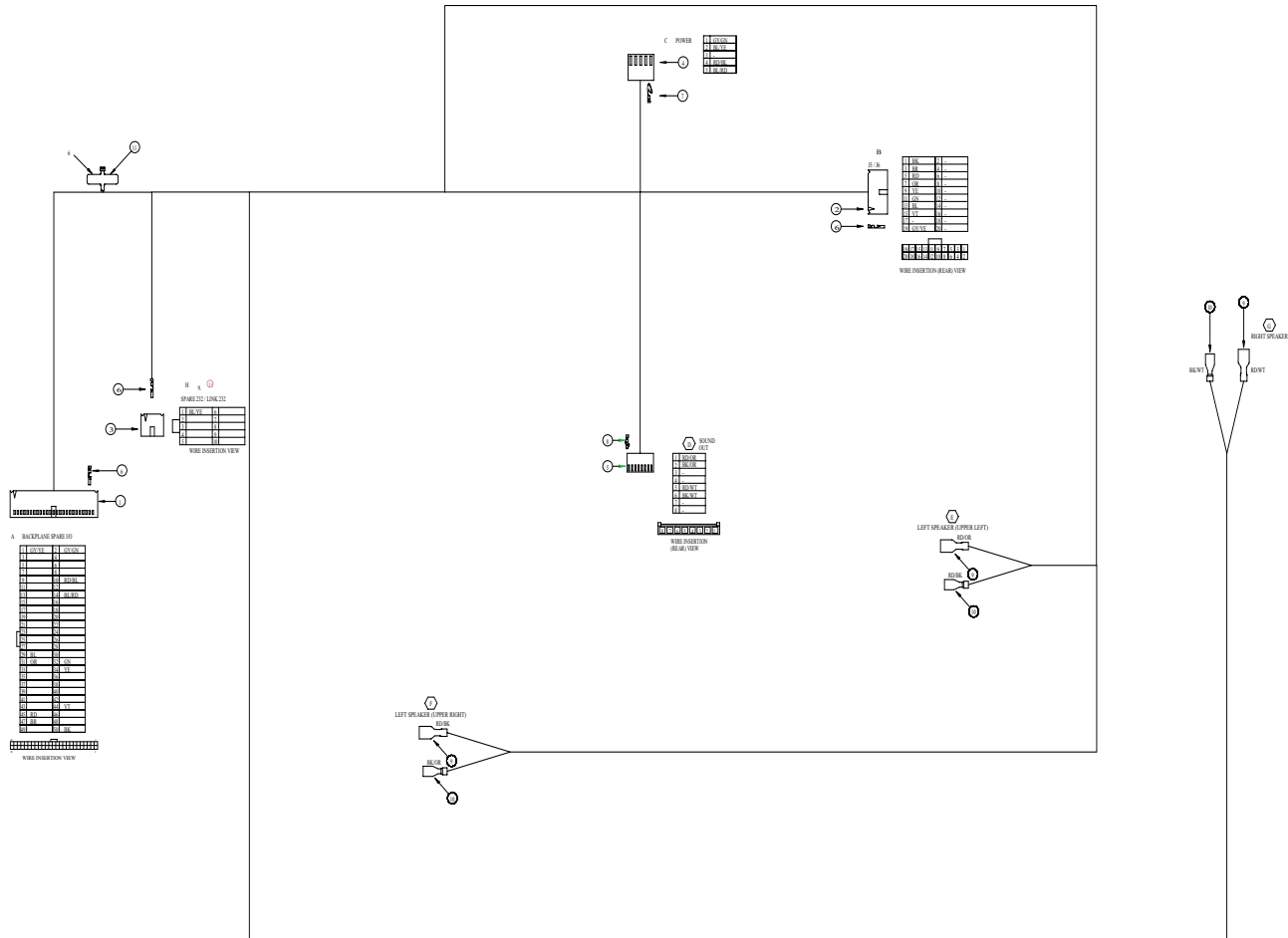
RUNNING LIST

SEQ	COLOR	FROM	TO	LENGTH	AWG	WRAP
1	BK	A-1	B-1*	4.00"	18	SPIRAL
2	BK	B-1*	D-1	53.50"	18	SPIRAL
3	BK/RD	A-9	B-9*	4.00"	18	SPIRAL
4	BK/RD	B-9*	C-1*	41.50"	18	SPIRAL
5	BK/RD	C-1*	D-2	13.00"	18	SPIRAL
6	BK/YE	A-3	B-3	4.00"	18	SPIRAL
7	BK/WT	A-13	B-13	4.00"	18	SPIRAL
8	YE	A-8	B-8	4.00"	18	SPIRAL
9	YE/RD	A-5	B-5	4.00"	18	SPIRAL
10	YE/GN	A-7	B-7	4.00"	18	SPIRAL
11	GN	A-11	B-11	4.00"	18	SPIRAL
12	GN/WT	A-14	B-14	4.00"	18	SPIRAL
13	BL	A-8	B-8	4.00"	18	SPIRAL
14	WT	A-2	B-2*	4.00"	18	SPIRAL
15	WT	B-2*	D-2	53.50"	18	SPIRAL
16	WT/BK	A-12	B-12	4.00"	18	SPIRAL
17	WT/RD	A-10	B-10*	4.00"	18	SPIRAL
18	WT/RD	B-10*	C-2*	41.50"	18	SPIRAL
19	WT/RD	C-2*	D-2	13.00"	18	SPIRAL
20	WT/YE	A-4	B-4	4.00"	18	SPIRAL
21	WT/GN	A-15	B-15	4.00"	18	SPIRAL

**Cabinet Top
CBL-30589-0001**



ProSound 2 (cont.)
CBL-30531-0001



PARTS LIST

QTY	PART NUMBER	DESCRIPTION	REV
1	1-20001-0001	PRO SOUND 2 (CONT.) CBL-30531-0001	1
1	1-20001-0002	PRO SOUND 2 (CONT.) CBL-30531-0001	1
1	1-20001-0003	PRO SOUND 2 (CONT.) CBL-30531-0001	1
1	1-20001-0004	PRO SOUND 2 (CONT.) CBL-30531-0001	1
1	1-20001-0005	PRO SOUND 2 (CONT.) CBL-30531-0001	1
1	1-20001-0006	PRO SOUND 2 (CONT.) CBL-30531-0001	1
1	1-20001-0007	PRO SOUND 2 (CONT.) CBL-30531-0001	1
1	1-20001-0008	PRO SOUND 2 (CONT.) CBL-30531-0001	1
1	1-20001-0009	PRO SOUND 2 (CONT.) CBL-30531-0001	1
1	1-20001-0010	PRO SOUND 2 (CONT.) CBL-30531-0001	1

REVISION LIST

REV	DATE	BY	DESCRIPTION
1	01/01/04
2
3
4
5
6
7
8
9
10



Wheel Control CBL-20346-0001



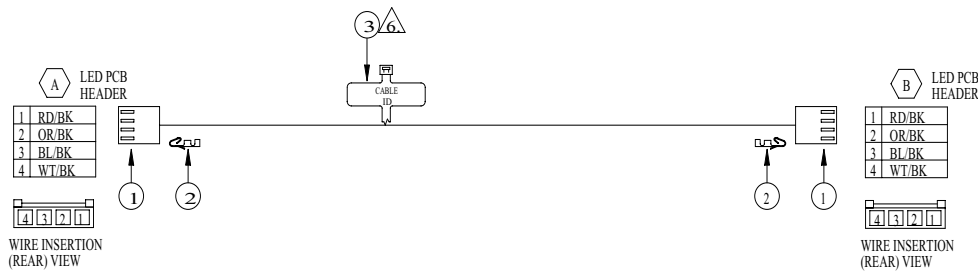
MATERIALS LIST

QTY	PART NO.	DESCRIPTION	UNIT
1	E-00804-0012	CONNECTOR, HOUSING CAP, 12 PIN	1
2	E-00737-0016	CONNECTOR, IDC, MTA-100, 22AWG, 16 CIRCUIT	1
3	E-00807	TERMINAL, AMP SOCKET, 24-18 AWG	10
4	E-00775-0016	COVER, MTA-100, 16 POSITION	1
5	E-00774	KEY PLUG, MTA-100	1
6	E-00647-0020	MARKER TIE	1
7	E-00647-0004	CABLE TIE, 4"	-

WIRE RUNNING LIST

SEQ.	COLOR	FROM	TO	LENGTH	AWG	WRAP
1	BR	A-8	B-4	12.50"	22	NONE
2	BR/BK	A-1	B-7	12.50"	22	NONE
3	BR/RD	A-3	B-3	12.50"	22	NONE
4	BR/YE	A-7	B-5	12.50"	22	NONE
5	BR/GN	A-2	B-6	12.50"	22	NONE
6	BR/WT	A-6	B-8	12.50"	22	NONE
7	RD	A-5	B-13	12.50"	22	NONE
8	YE/BL	A-4	B-2	12.50"	22	NONE
9	GY	A-9	B-15	12.50"	22	NONE
10	GY/RD	A-10	B-14	12.50"	22	NONE

Wheel LED PCB Jumper CBL-20345-0001



RUN LIST

SEQ.	COLOR	FROM	TO	LENGTH	AWG	WRAP
1	RD/BK	A-1	B-1	8.50"	22	
2	OR/BK	A-2	B-2	8.50"	22	
3	BL/BK	A-3	B-3	8.50"	22	
4	WT/BK	A-4	B-4	8.50"	22	

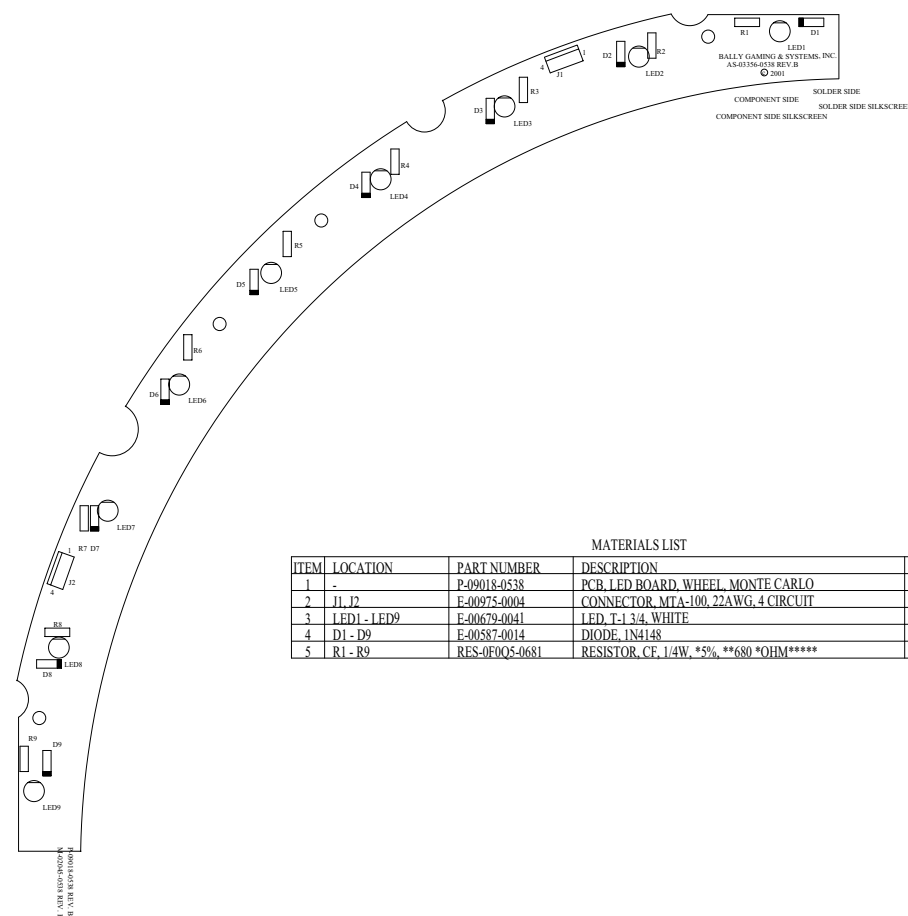
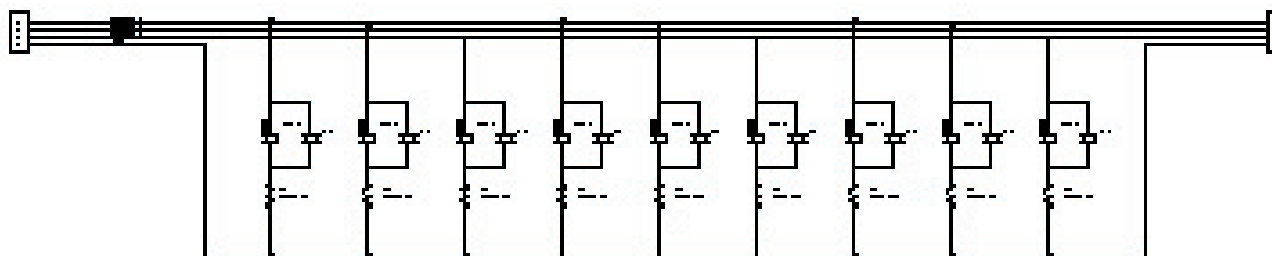
1	E-01084-0129	CONN, MOLEX KK, PLUG, POLARIZED, 0.100, 4 CKT.	2
2	E-01085-0003	TERMINAL, MOLEX KK, 22-30 AWG.	8
3	E-00647-0020	MARKER TIE, ID TAG	1
4	E-00647-0004	TIE WRAP, 3/32 X 3 7/8	-

Monte Carlo Circuit Boards

Monte Carlo Circuit Boards

Monte Carlo Circuit Boards		
Part #	Description	Page #
AS-03356-0527	Wheel Driver	30
AS-03356-0535	Wheel Control Unit	26
AS-03356-0538	LED Board Assembly	24
AS-03356-0545	11-Light Board Assembly	29
AS-03356-0546	Marquee Board Assembly	28

9-LED PCB Assembly AS-03356-0538

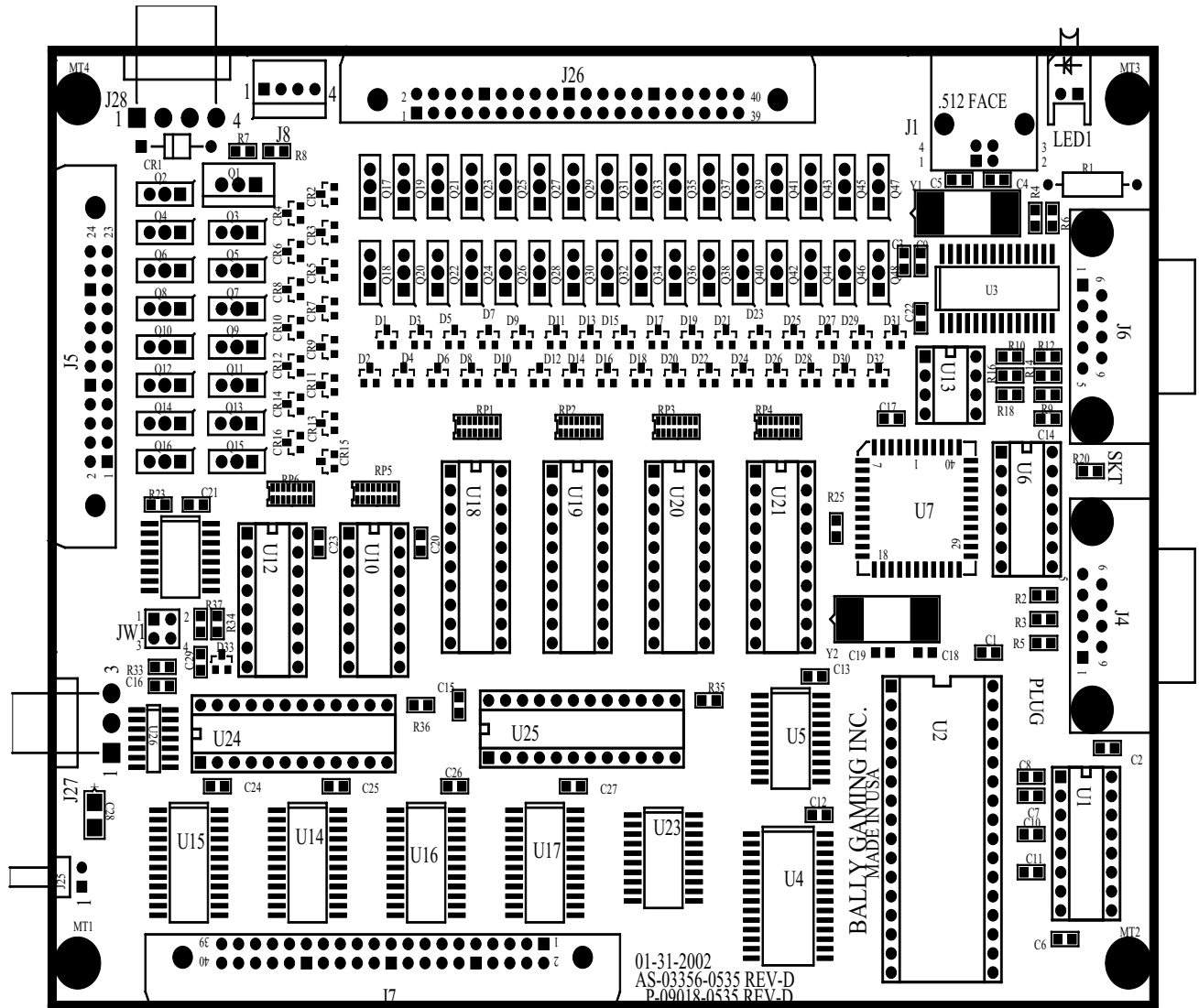


MATERIALS LIST

ITEM	LOCATION	PART NUMBER	DESCRIPTION	QUANTITY
1	-	P-09018-0538	PCB, LED BOARD, WHEEL, MONTE CARLO	1
2	J1, J2	E-00975-0004	CONNECTOR, MTA-100, 22AWG, 4 CIRCUIT	2
3	LED1 - LED9	E-00679-0041	LED, T-1 3/4, WHITE	9
4	D1 - D9	E-00587-0014	DIODE, 1N4148	9
5	R1 - R9	RES-0F005-0681	RESISTOR, CF, 1/4W, *5%, **680 *OHM*****	9

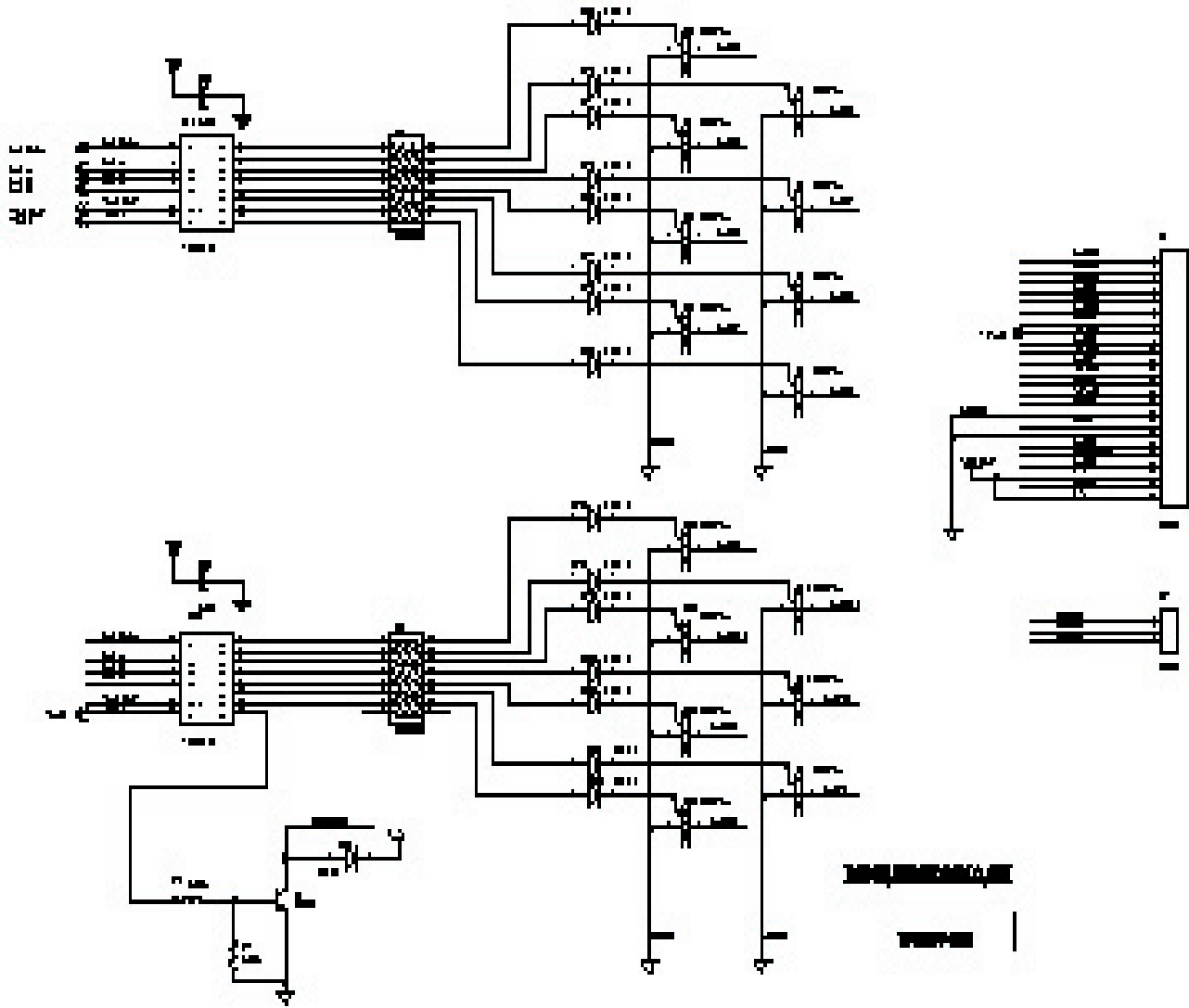


Wheel Control Unit
AS-03356-0535



(continued)

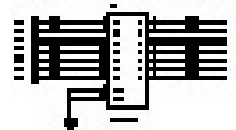
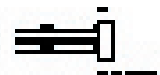
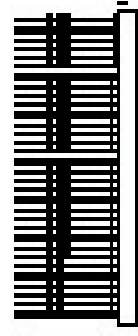
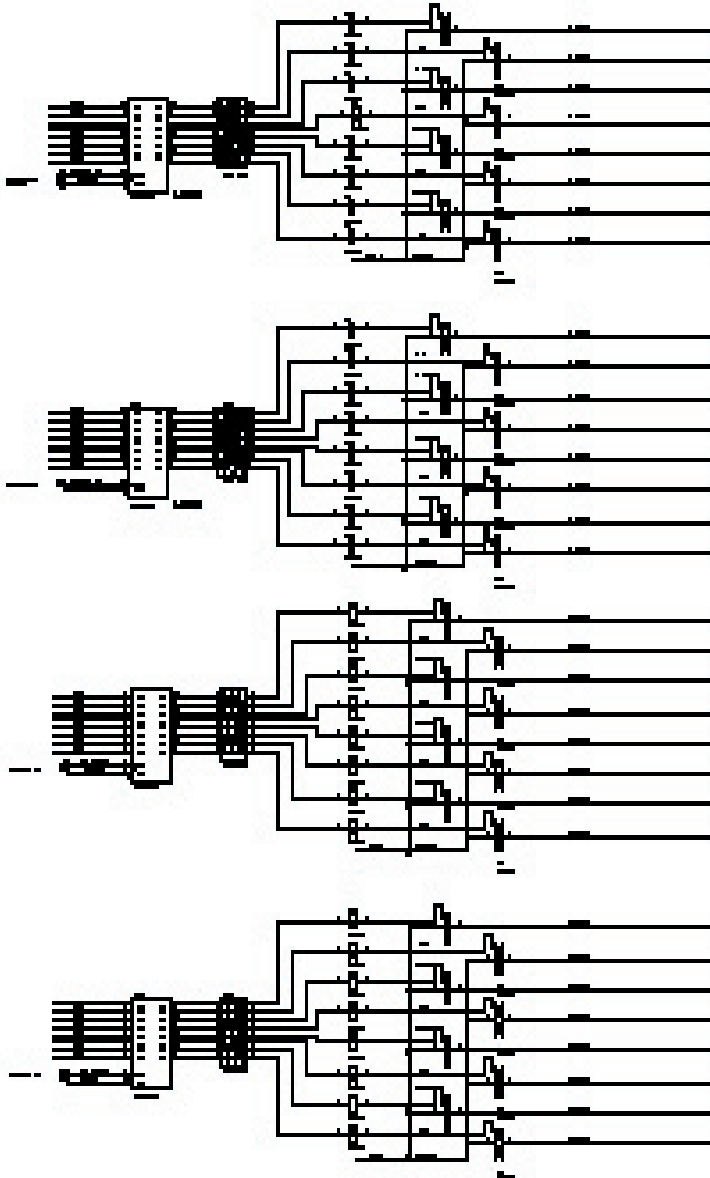
Wheel Control Unit (cont.)
AS-03356-0535



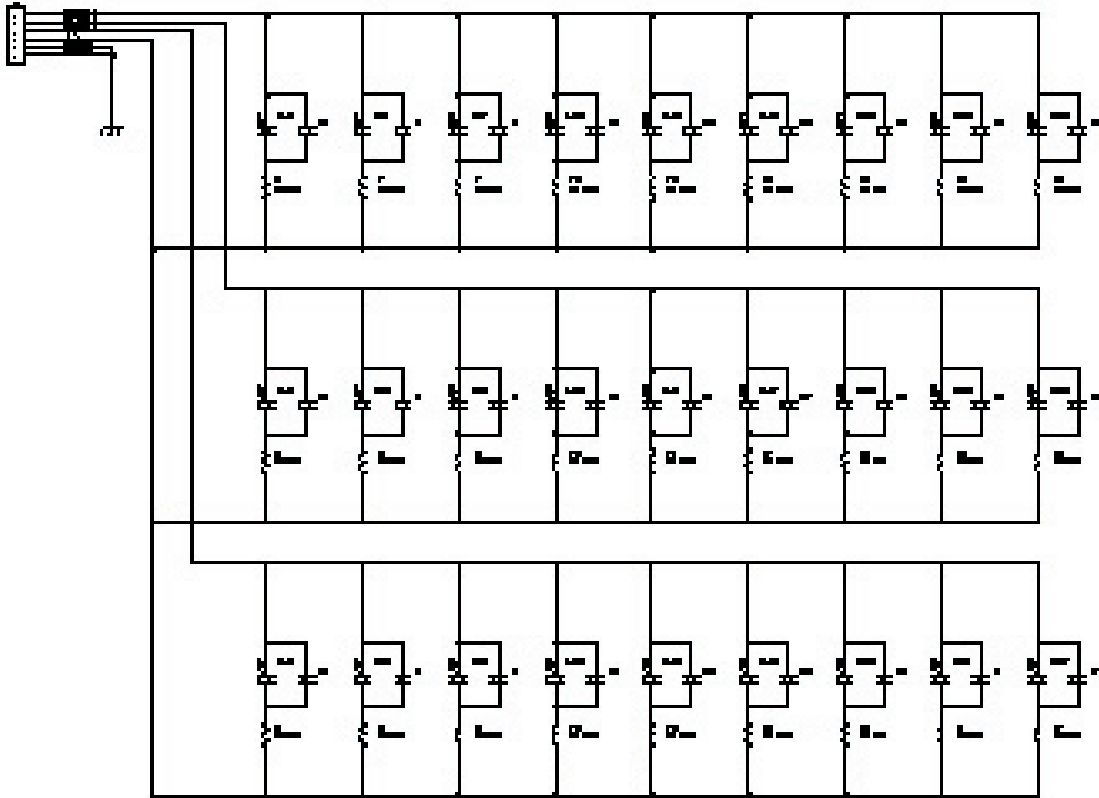
(continued)



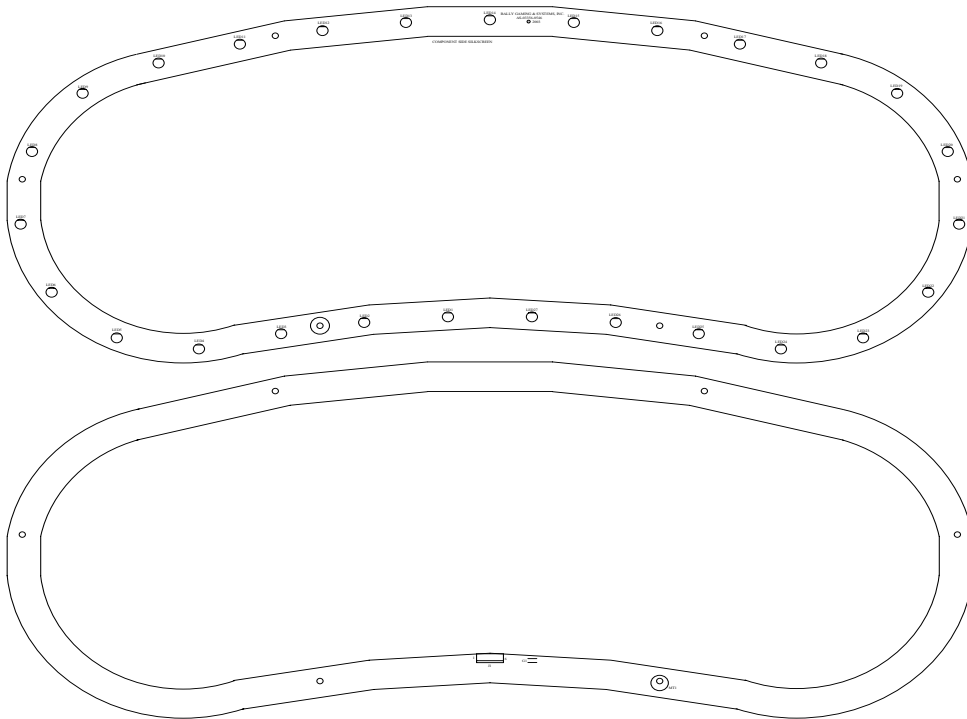
Wheel Control Unit (cont.)
AS-03356-0535



**Marquee Board Assembly
AS-03356-0546**



WIRING

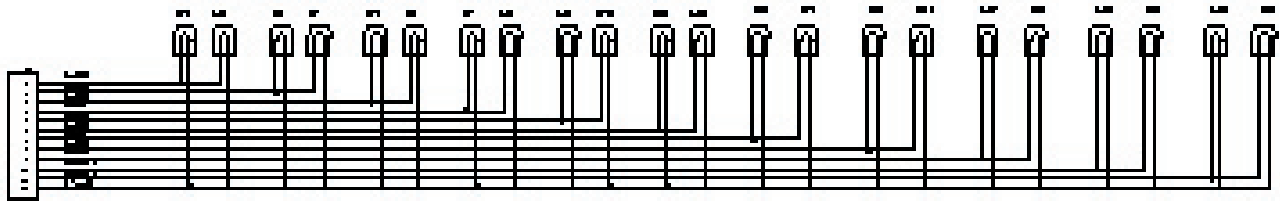


MATERIALS LIST

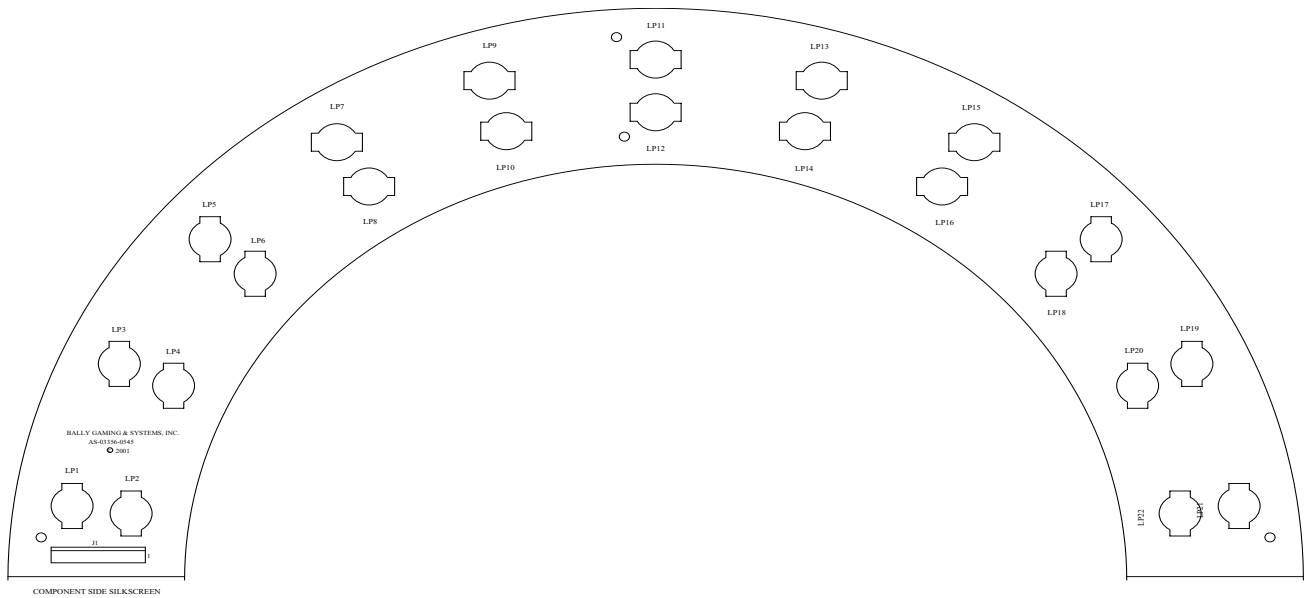
ITEM	LOCATION	PART NUMBER	DESCRIPTION	QUANTITY
1	1	P-03356-001	PCB TOP/PCB MARQUEE, MONTE CARLO	1
2	21	P-03356-006	CONNECTOR, PITCH/LOCK HEADER, 100 L PIN	1
3	1,2,3,4,5,6,7,8,9	P-03356-001	LAMP, 1/4 W, 100V	27
4	1,2,3,4,5,6,7,8,9	P-03356-002	DIODE, 5M AHR/CONDUCTANCE/LU TRAFAST, M0804148	27
5	1,2,3,4,5,6,7,8,9	P-03356-003	RESISTOR, 5W TRK, 1/4 W, 100V, 100 OHM	27
6	1	P-03356-014	SOUSERIE FASTON, TAB, PCB, AMP FN, SER:1	1



**11-Light Board Assembly
AS-03356-0545**



**MONTE CARLO LIGHT BOARD
ASSEMBLY
AS-03356-0545**



MATERIALS LIST

ITEM	LOCATION	PART NUMBER	DESCRIPTION	QUANTITY
1		P-09018-0545	PCB, 11 LIGHT BOARD, MONTE CARLO	1
2	J1	E-00989-0012	POST HEADER, 12 PIN	1

Wheel Driver
AS-03356-0527

