



---

**ProSlot-6000™**

---

**MODULE 7**

**MK7-S6MOD-9800**

**PROGRESSIVE OPERATION**



# Module 7

---

## **Progressive Operation**

---

### **Table of Contents**

<b>Introduction</b> . . . . .	7-3
Hardware Requirements . . . . .	7-3
Progressive Types . . . . .	7-3
Machine Configuration . . . . .	7-3
MPU Configuration . . . . .	7-3
Backplane Configuration . . . . .	7-3
Proper Progressive Operation . . . . .	7-4
Progressive Testing . . . . .	7-4
<b>Mikohn ChamII+ Stand-alone Progressive</b> . . . . .	7-5
Bally Kit Numbers and Parts Listings . . . . .	7-5
Stand-alone Progressive Wiring Diagram . . . . .	7-5
<b>Mikohn ChamII+ Linked Progressive</b> . . . . .	7-6
(with in-machine display)	
Bally Kit Numbers and Parts Listings . . . . .	7-6
Linked Progressive Wiring Diagram . . . . .	7-6

# Module 7

## Progressive Operation

### Introduction

A Progressive Jackpot represents an amount of money held in reserve, which is paid out for a specific win. The jackpot generally starts at a selected minimum value, and increases by a percentage of the money wagered on the machine(s) and increases the progressive amount by a percentage of the coin-in amount.

### Hardware Requirements

Setting up a progressive system requires a controller and a display. The controller is a computer which keeps track of the main and hidden progressive amounts. The controller receives coin-in information from the machine(s) and increases the progressive amount by a percentage of the coin-in amount.

The display is a device which communicates progressive jackpot information to the Player. It can be a large overhead sign or a small display which fits in the top glass of a machine. It is usually constructed of LEDs and may support multiple colors.

### Progressive Types

Progressives can be divided into two basic groups: Stand-alone and Linked. A Stand-alone progressive is set up in an individual machine. A Linked progressive consists of a group of machines that share a common progressive jackpot. A Linked Stand-alone Combo usually consists of a linked top award and a stand-alone secondary jackpot. A Wide-area progressive (MAPS) can link machines in several areas of a casino, several casinos in a market, or several market areas to a common jackpot.

When machines are linked to a progressive, they usually will have the same coin denomination and maximum coin-in. Linked machines should also have a similar jackpot hit frequency and payback percentage.

### Machine Configuration

Machine options must be configured as follows for most installations. Please consult Module 2 for more information concerning other possible configurations.

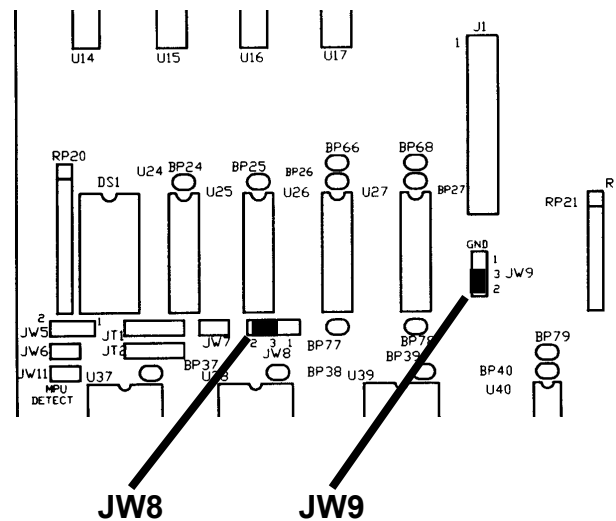
OPTION	SETTING	DESCRIPTION
02	0004	Enables the S-6000 for S/MPI operation
07	0001~0004	Designates the number of external JPs
78L	0001~0032	Specifies unique machine ID for controller

### MPU Configuration

The S-6000 MPU board must be correctly configured for progressive operation.

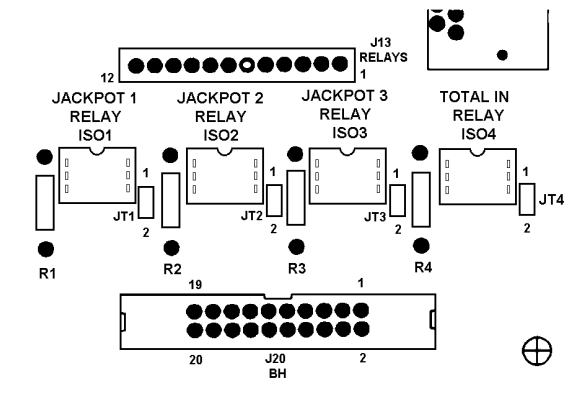
Jumper JW8 configures the MPU to accept serial data from the progressive controller via either the RS-232 or RS-485 interface. Pins 2 and 3 select RS-485.

Jumper JW9 enables or disables the RS-485 transmit function. Pins 2 and 3 prohibit machine transmission on the RS-485 Link.



### Backplane Configuration

Most progressive systems operate with signals from the opto-coupler installed in socket ISO1 of the backplane. Some progressive systems may communicate via the LINK serial port. Still others may operate through the house system (SDS, MAPS, SAS, CDS, etc.) Consult the manual provided by the manufacturer of the progressive system you are installing for individual signal requirements.



## **Proper Progressive Operation**

When the machine and the progressive controller are connected and programmed correctly, the progressive jackpot will increase by each wager, as shown by the display. The wager required to increment the amount shown on the progressive display depends upon the percentage allotted to the progressive jackpot (incrementation rate).

When the jackpot is won, the machine signals the controller. The controller locks the jackpot until the first coin-in signal from the machine resets it to the starting jackpot amount (base amount).

The progressive controller communicates the amount of the win to the machine which stores the credit value of the win in its internal memory, and transmits the jackpot information to the house system.

## **Progressive Testing**

To test the operation of the progressive, the S-6000 and the integrity of all of the connections, use the following procedure:

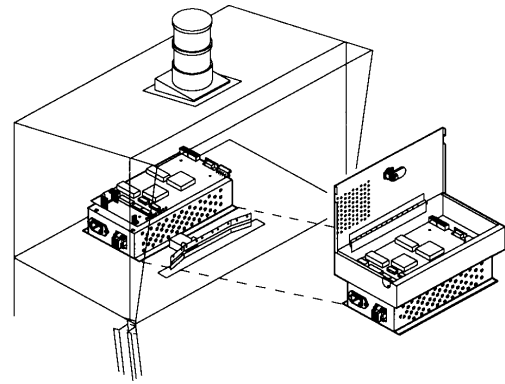
1. Enter Diagnostic Test 11 (Option Setting).
2. Scroll through the options with the BET MAX button until Option 80 appears.
3. Change Option 80 from its default setting of 0000 to 0001 by pressing the SPIN button.
4. Enter Diagnostic Test 10 (Payout Test).
5. Select individual reels with the CHANGE button and move the reels with the SPIN button. Center the jackpot symbols on the payline.
6. Use the BET ONE button to change the number shown in the COIN IN display to the maximum allowable wager.
7. Press the SPIN button. The progressive indicates that a progressive jackpot win has occurred by resetting to the starting progressive amount. The value of the progressive jackpot, rounded up to the next whole credit, will be shown in the CREDIT display.

Consult Module 2 of the ProSlot-6000™ Operators Manual for additional troubleshooting information.

# Mikohn Cham II+® Stand-alone Progressive

## Bally Progressive Kits:

- K-00721-5513 CHAMII+ 2x12 Mini
- K-00721-5517 CHAMII+ 2x12 Micro
- K-00721-5525 CHAMII+ 1x12 Mini
- K-00721-5526 CHAMII+ 1x12 Micro
- K-00721-5527 CHAMII+ 1x14 Mini
- K-00721-5528 CHAMII+ 1x14 Micro
- K-00721-5531 CHAMII+ 12 Mini/Micro



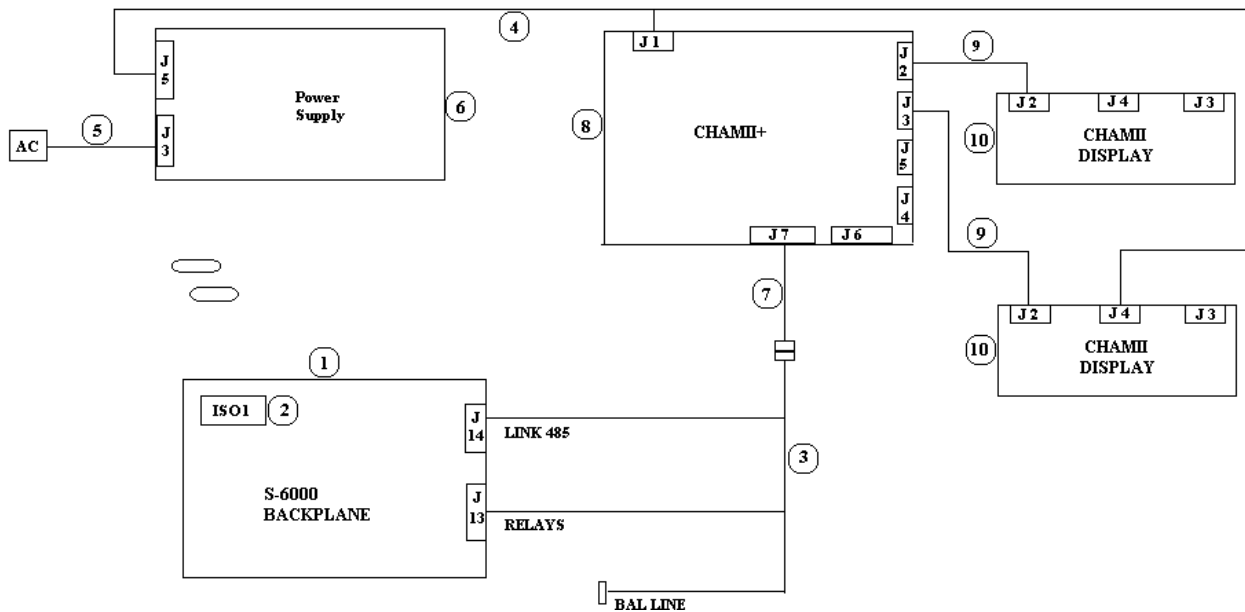
Please consult the following for more information on configuring the Mikohn CHAM II+.

Mikohn CHAM II+ Users Manual  
Part # 990-219-00

Mikohn P.S.P. V2.0x  
Progressive System Programmer Software  
Configuration and User Manual

<b>Mikohn Controller Kit</b> (E-01040-0022)	
(5) AC Power Cable	311-010-22
(6) Power Supply	780-027-50
(7) Machine Cable	311-205-11
(8) CHAM II+ Controller	341-057-00

(#)s refer to the Stand-alone Progressive Wiring Diagram below. (1) is the S-6000 backplane board.



Bally Kit Number	(2) Opto-Isolator	(3) Machine Pig-tail	Controller Kit	(10) LED Display	(9) Ribbon Cable	(4) DC Power Cable
K-00721-5513	E-00620-0662	CBL-30314-0001	K-01040-0022	AS-03110-0025 AS-03110-0025	AS-02988-0226 AS-02988-0226	CBL-30195-0002
K-00721-5517	E-00620-0662	CBL-30314-0001	K-01040-0022	AS-03110-0026 AS-03110-0026	AS-02988-0226 AS-02988-0226	CBL-30195-0002
K-00721-5525	E-00620-0662	CBL-30314-0001	K-01040-0022	AS-03110-0025	AS-02988-0226	CBL-30195-0001
K-00721-5526	E-00620-0662	CBL-30314-0001	K-01040-0022	AS-03110-0026	AS-02988-0226	CBL-30195-0001
K-00721-5527	E-00620-0662	CBL-30314-0001	K-01040-0022	AS-03110-0027	AS-02988-0226	CBL-30195-0001
K-00721-5328	E-00620-0662	CBL-30314-0001	K-01040-0022	AS-03110-0028	AS-02988-0226	CBL-30195-0001
K-00721-5531	E-00620-0662	CBL-30314-0001	K-01040-0022	AS-03110-0025 AS-03110-0026	AS-02988-0226 AS-02988-0226	CBL-30195-0002

## Mikohn CHAM II+® Linked Progressive

Both the Linked and the Combination progressives incorporate many of the same components as the Stand-alone progressive.

In its' basic form, the arrangement depicted below provides a progressive link for the top award with an overhead display and a smaller display in each machine.

By properly configuring the Mikohn CON2-A and the Mikohn CHAM II+, the arrangement depicted below will allow a linked top award and a stand-alone secondary award.

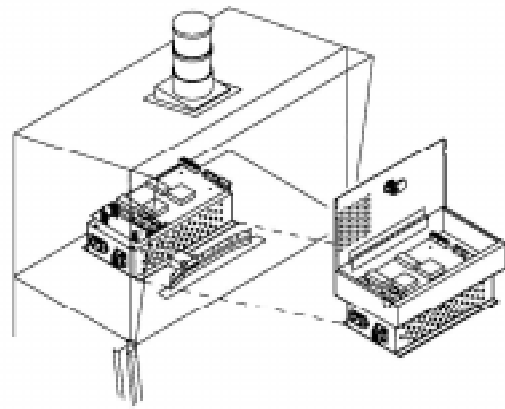
Configuration of the S-6000 is the same for any Mikohn progressive installation.

Please consult the following Mikohn manuals for additional information:

CHAM II+ Users Manual -- 990-219-00

CON2-A Users Manual -- 990-010-00

PSP V2.0 Users Manual -- 990-051-00



Ref. #s refer to the numbers in the diagram below.

Ref. #	Part #	Description
1	E-00620-0662	Opto-isolator at ISO1
2	CBL-30314-0001	Machine Pig-tail Cable
3	311-010-22	Mikohn AC Power Cable
4	780-027-50	Mikohn Power Supply Assembly
5	341-057-00	Mikohn CHAM II+ Controller
6	311-205-11	Mikohn Machine Cable
7	CBL-30195-000x	DC Power Cable
8	AS-03110-002x	Chameleon II Display
9	CBL-30323-0001	Mikohn SL8 CHAMII+ Cable
10	CBL-30324-0001	Mikohn SL8 Con2A Cable
11	CBL-30325-0001	Mikohn SL8 Link/CHAMII+ Cable
12	AS-02988-0226	Display Ribbon Cable
13	AS-02988-0027	Display Jumper Cable
14	AS-02936-0016	CON2-A Supercontroller
15	AS-02982-0033	12v. Power Supply Module

