



The logo for ProSlot 6000. The word "ProSlot" is in a blue, italicized, sans-serif font with a registered trademark symbol (®). To its left are several horizontal red lines of varying lengths, creating a sense of motion. The number "6000" is in a large, red, italicized, sans-serif font.

MODULE 9

MK9-S6MOD-0002
OVERALL WIRING DIAGRAMS

©2003 BALLY GAMING, INC. ALL RIGHTS RESERVED

Bally Gaming and Systems

6601 South Bermuda Road, Las Vegas, NV 89119

For Customer Service and information, call or FAX:
1-877-GO-BALLY (877-462-2559) in the U.S. and Canada
+1-702-896-7772 outside the U.S.
896-7772 in Las Vegas
FAX: +1-702-896-7710
or visit our website at <http://www.ballygaming.com>

Module 9 - Overall Wiring Diagrams Table of Contents

Bill Acceptors	5
Ardac CBL-30381-0001	5
Ardac CBL-30380-0001	6
Mars CBL-30302-0001	7
Diode Isolation Bill Acceptor Doors, GPT CBL-30405-0001	8
Diode Isolation Bill Acceptor Doors, JCM WBA / Ardac CBL-30420-0001	9
GPT CBL-30350-0001	10
JCM WBA 10/20 CBL-30252-0001	11
JCM WBA 12/13/23/25 CBL-30638-0001	12
JCM WBA 12/13/23/25 CBL-30638-0002	13
Diode Isolation Bill Acceptor Doors, GPT CBL-30405-0001	14
Universal System Signals CBL-30431-0001	15
Cabinet	16
Cabinet Power CBL-30255-0001	16
Cabinet Power CBL-30475-0001	17
Cabinet Signal CBL-30478-0001	18
Cabinet Signal CBL-30713-0001	19
Deck CBL-30715-0001	20
Door, with Removable Deck CBL-30680-0001	21
Cabinet Signal CBL-30234-0001	22
Light Panel Feature, Round CBL-30377-0001	23
Top Box Fluorescent CBL-20368-0001	24
Top Box Light CBL-30643-0001	25
Coin Acceptor	26
COD / CC-16 CBL-30471-0001	26
Coin Acceptor Interface, MC-16 CBL-20295-0001	27
Coin Acceptor Interface, MC-16 CBL-20307-0001	28
Coin I/O CBL-30472-0001	29
Coin I/O, COD/IDX/Condor CBL-30471-0002	30
Hopper	31
Hopper CBL-30473-0001	31
Hopper CBL-30476-0002	31
Logic	32
Data Vault™ (France) CBL-20277-0001	32
Player Panel	33
Deck Button CBL-30473-0001	33
7-Button Deck (United Kingdom) CBL-30681-0001	34
Power Distribution	35
PDU, CE97, Fused CBL-30469-0001	35
Power Supply, CE97 CBL-30180-0001	36
Printer	37
Seiko Printer CBL-20302-0001	37
Seiko Printer CBL-20398-0001	38
Reel Mechanism	39
3-Reel CBL-30201-0001	39
3-Reel CBL-30253-0001	40
4-Reel CBL-30202-0001	41



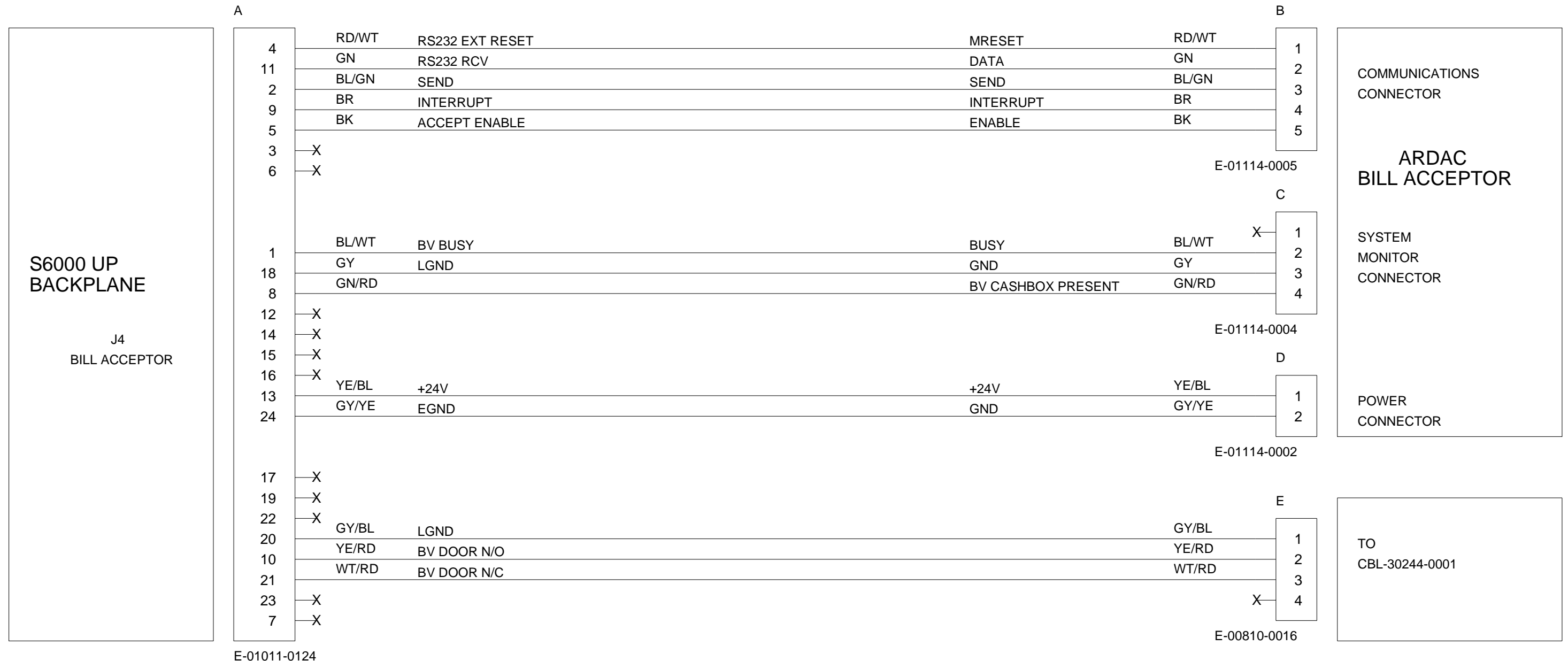
Module 9 - Overall Wiring Diagrams Table of Contents (cont.)

Sound Board	42
Deluxe Pro Sound 2 CBL-30531-0001	42
Sound Board, Feature, Round CBL-30375-0001	43
Pro Sound 2 CBL-20397-0001	44
Systems / Communication	45
Door Button CBL-30470-0001	45
UIB Communication CBL-30267-0001	46
UIB Communication CBL-30386-0001	47

Bill Acceptors

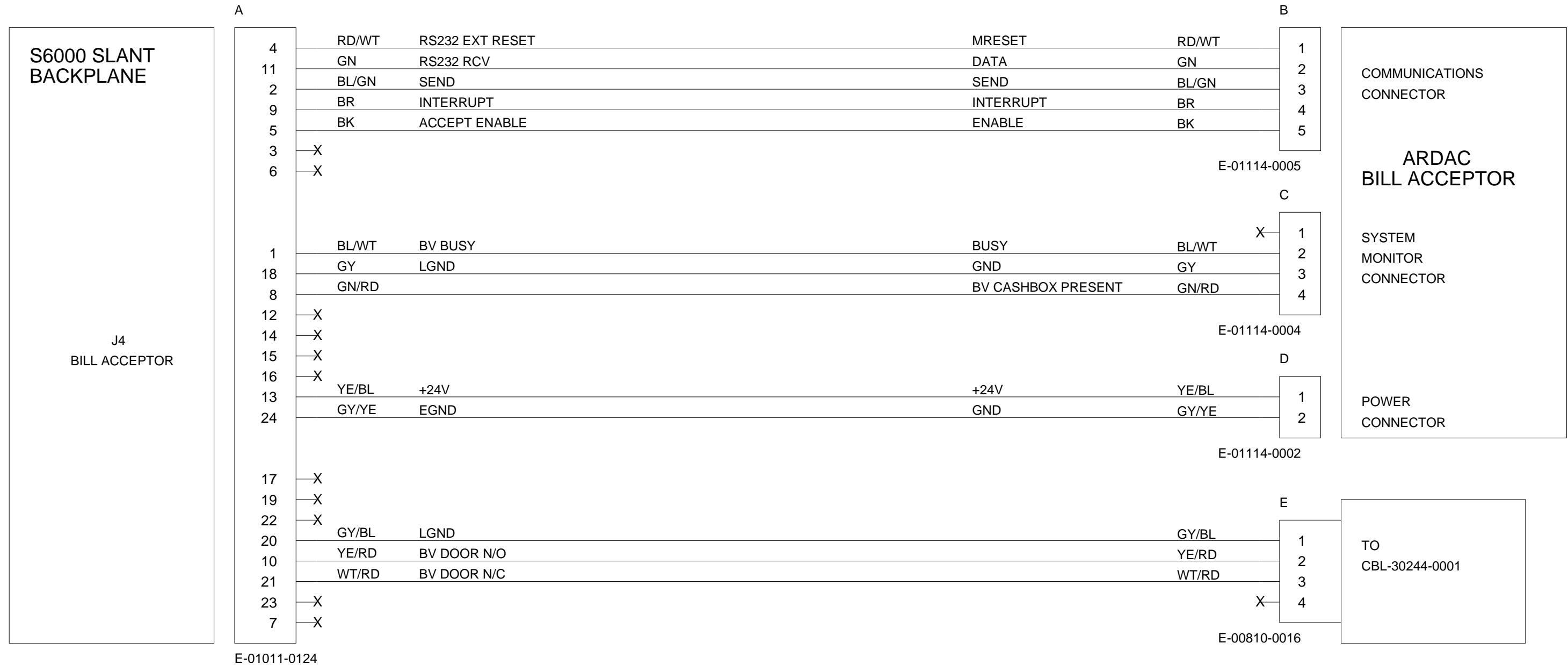
|| Ardac CBL-30381-0001

Upright



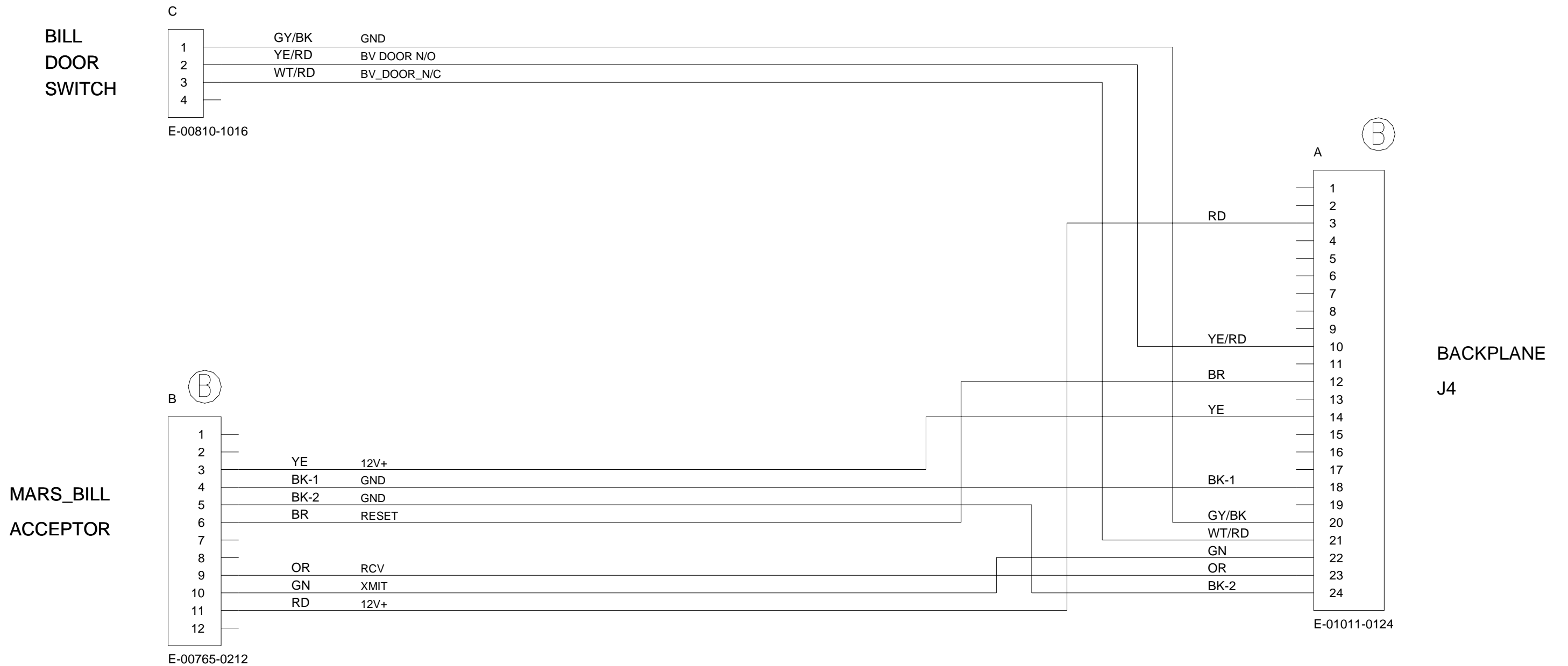
Bill Acceptors

|| Ardac CBL-30380-0001 Slant



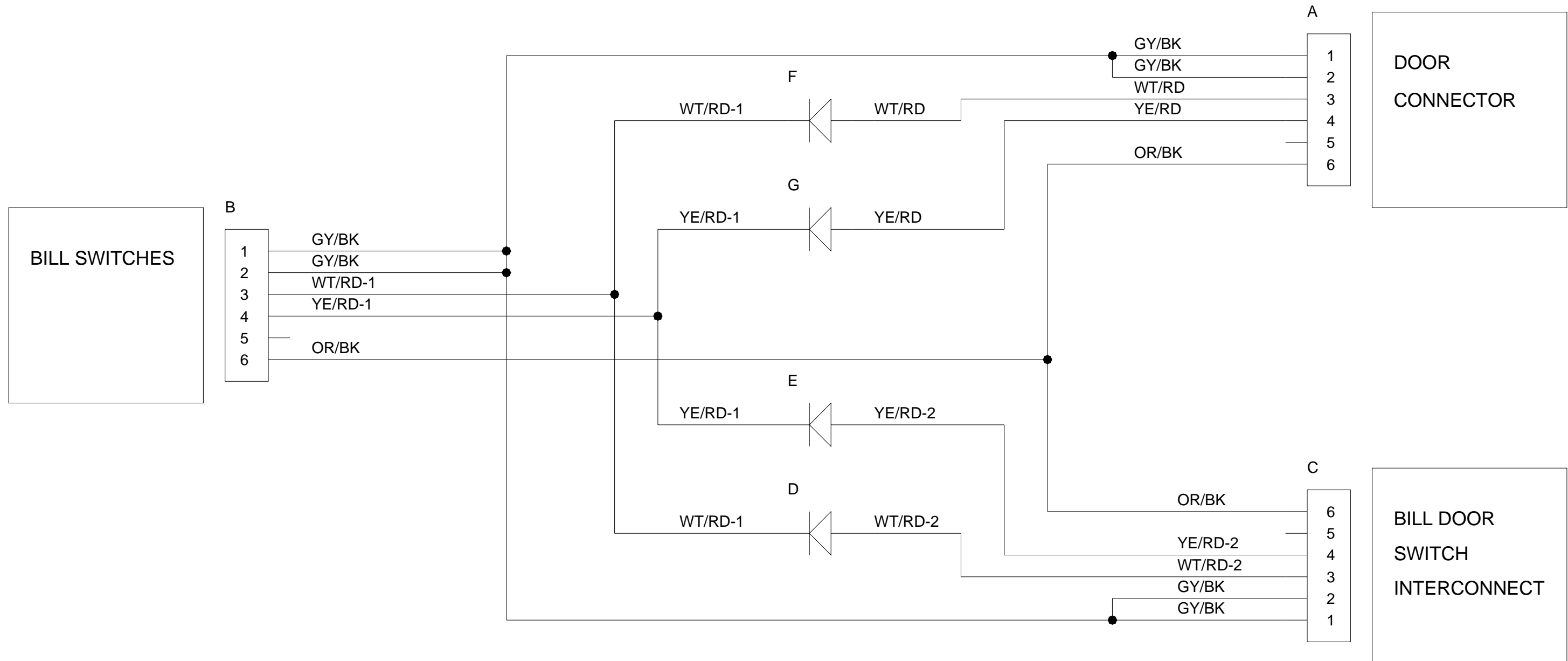
Bill Acceptors

|| Mars CBL-30302-0001 Upright



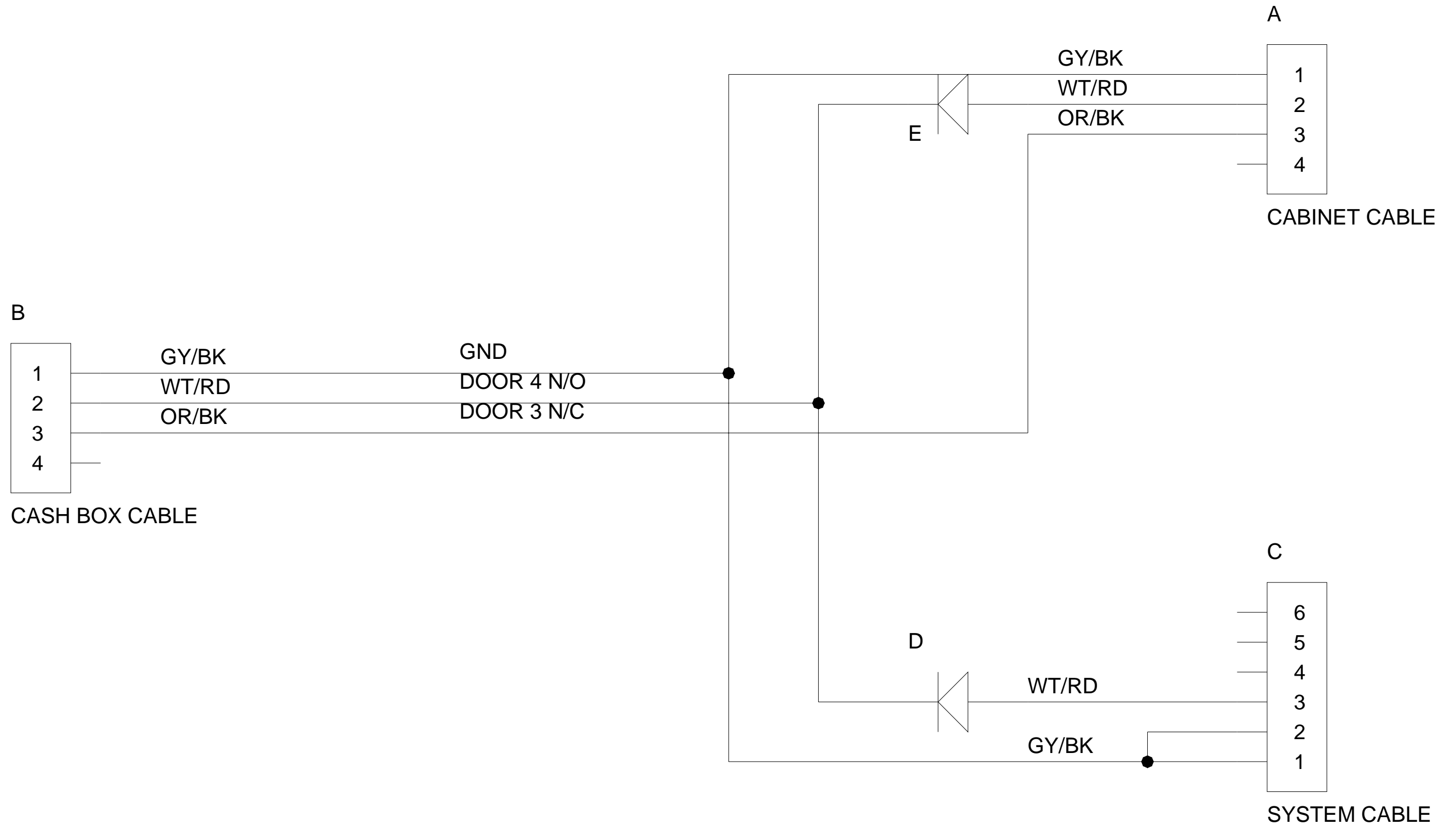
Bill Acceptors

Diode Isolation, Bill Acceptor Doors, GPT
CBL-30405-0001 Slant



Bill Acceptors

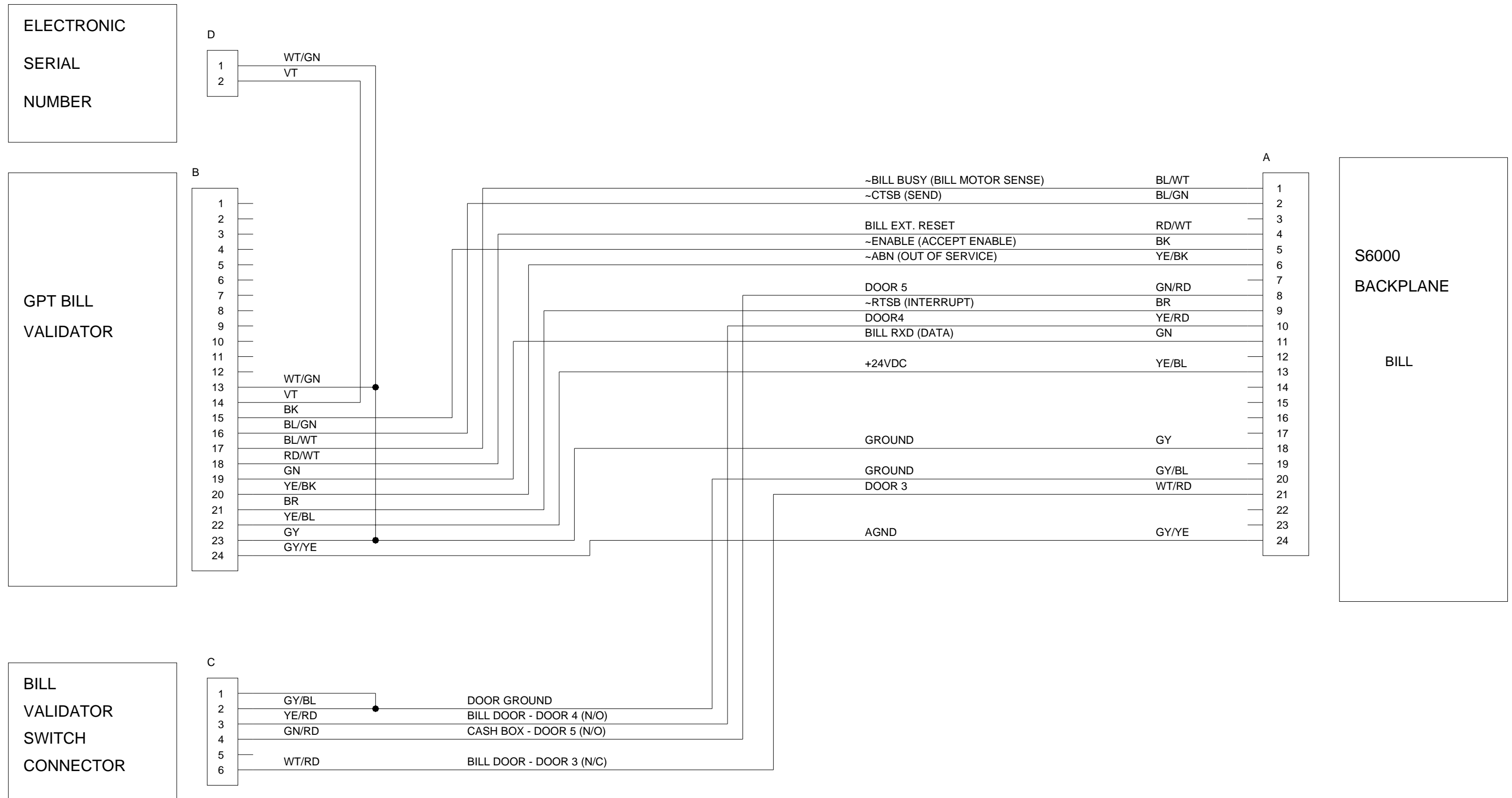
Diode Isolation Bill Acceptor Doors, JCM WBA /
Ardac CBL-30420-0001 Slant



Bill Acceptors

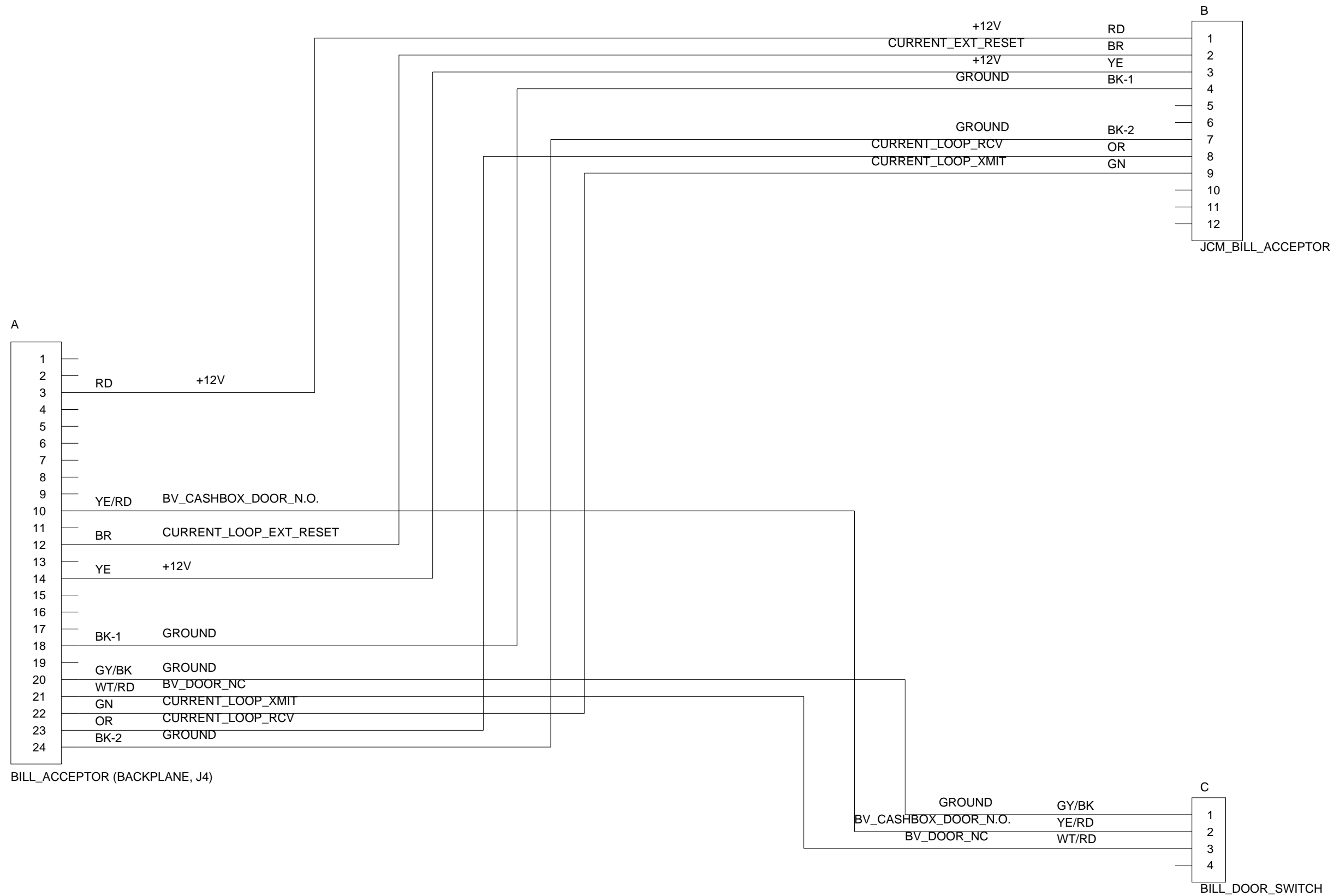
|| GPT CBL-30350-0001

Slant



Bill Acceptors

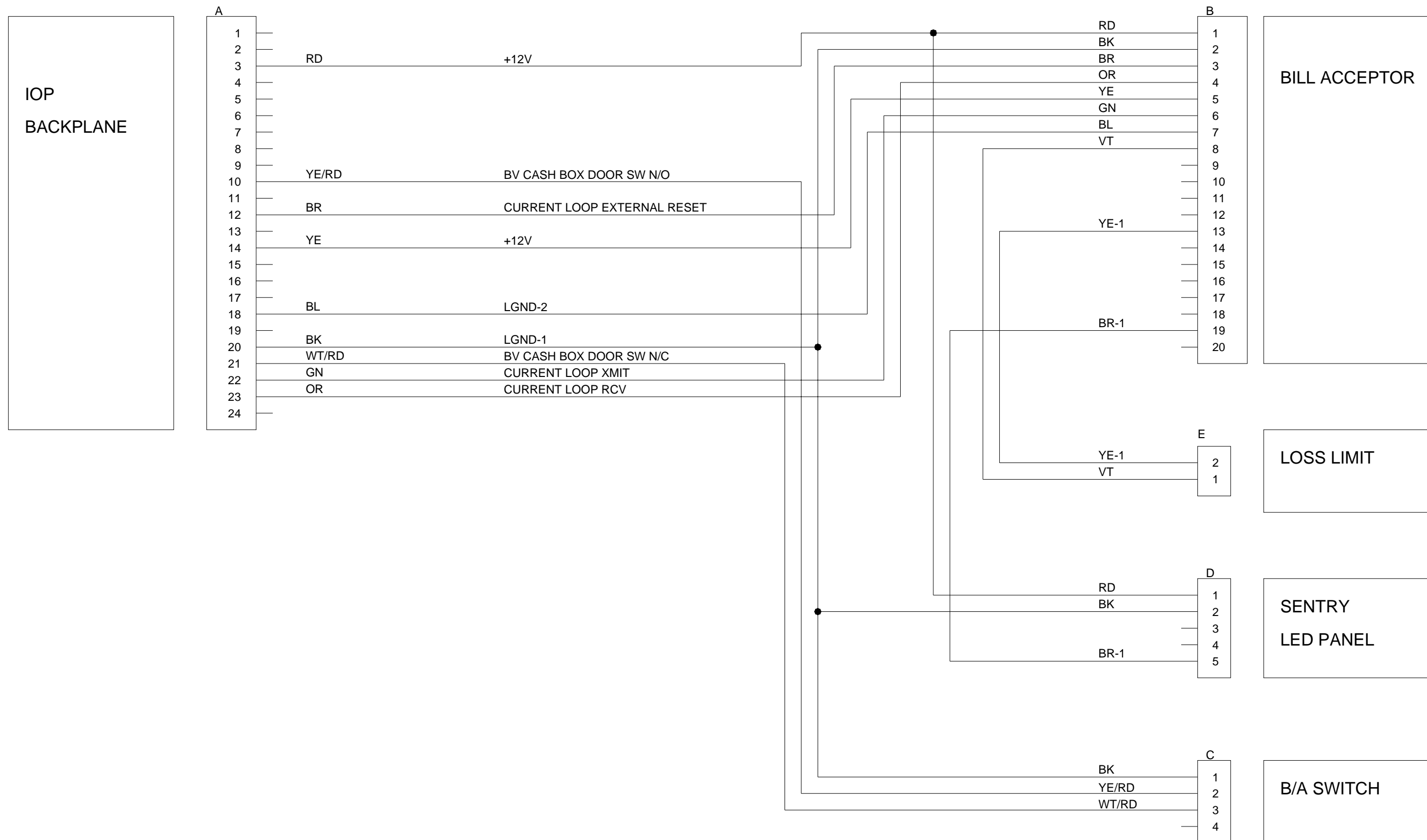
|| JCM WBA 10/20 CBL-30252-0001 Slant



Bill Acceptors

JCM WBA 12/13/23/25 CBL-30638-0001

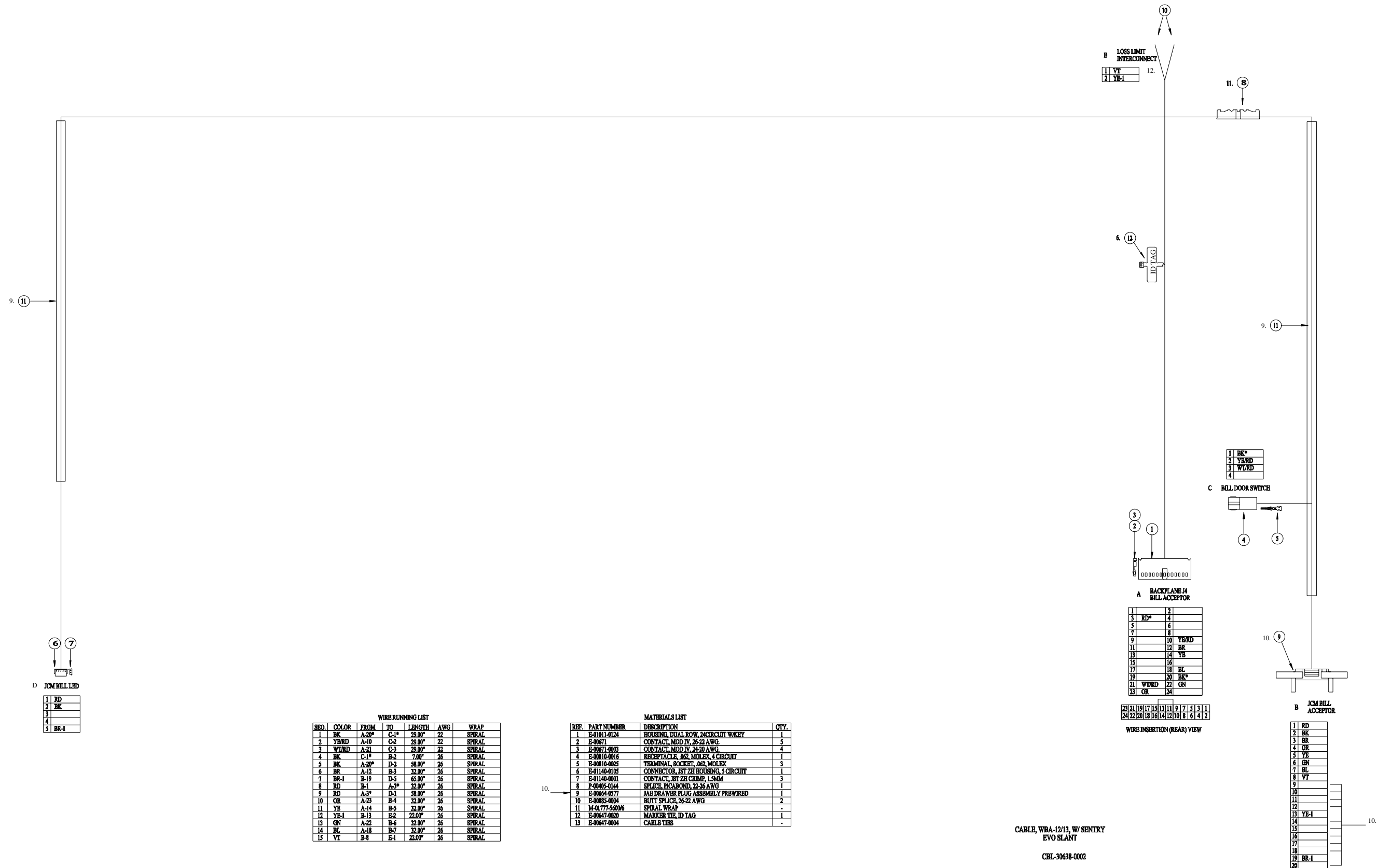
Slant



Bill Acceptors

JCM WBA 12/13/23/25 CBL-30638-0002

S6E



D JCM BILL LED

1	RD
2	BR
3	
4	
5	BR-1

WIRE RUNNING LIST

SER.	COLOR	FROM	TO	LENGTH	AWG	WRAP
1	BR	A-3*	C-1*	29.00"	22	SPRAL
2	YBRD	A-10	C-2	29.00"	22	SPRAL
3	WTRD	A-21	C-3	29.00"	22	SPRAL
4	BR	C-1*	B-2	7.00"	26	SPRAL
5	BR	A-20*	D-2	58.00"	26	SPRAL
6	BR	A-12	B-3	32.00"	26	SPRAL
7	BR-1	B-19	D-3	65.00"	26	SPRAL
8	RD	B-4	A-3*	32.00"	26	SPRAL
9	RD	A-3*	D-1	58.00"	26	SPRAL
10	OR	A-23	B-4	32.00"	26	SPRAL
11	YE	A-14	B-5	32.00"	26	SPRAL
12	YE-1	B-13	B-2	22.00"	26	SPRAL
13	GN	A-22	B-6	32.00"	26	SPRAL
14	BL	A-18	B-7	32.00"	26	SPRAL
15	VT	B-8	B-1	22.00"	26	SPRAL

MATERIALS LIST

REF.	PART NUMBER	DESCRIPTION	QTY.
1	E-01011-0124	HOUSING, DUAL ROW, 24 CIRCUIT W/KEY	1
2	E-00671	CONTACT, MOD IV, 26-22 AWG	5
3	E-00671-0003	CONTACT, MOD IV, 26-20 AWG	4
4	E-00810-0016	RECEPTACLE, .062 MOLEX, 4 CIRCUIT	1
5	E-00810-0025	TERMINAL, SOCKET, .062 MOLEX	3
6	E-01146-0105	CONNECTOR, 1ST ZH HOUSING, 5 CIRCUIT	1
7	E-01146-0001	CONTACT, 1ST ZH CRIMP, 1-5MM	3
8	P-00405-0144	SPLICE, MICROBOND, 22-26 AWG	1
9	E-00664-0577	JAE DRAWER PLUG ASSEMBLY PREWIRED	1
10	E-00885-0004	BUTT SPLICE, 26-22 AWG	2
11	M-01777-50006	SPRAL WRAP	-
12	E-00667-0020	MARKER TIE, ID TAG	1
13	E-00667-0004	CABLE TIES	-

A BACKPLANE IN BILL ACCEPTOR

1		2	
3	RD*	4	
5		6	
7		8	
9		10	YBRD
11		12	BR
13		14	YB
15		16	
17		18	BL
19		20	BR*
21	WTRD	22	GN
23	OR	24	

WIRE INSERTION (REAR) VIEW

23	21	19	17	15	13	11	9	7	5	3	1
24	22	20	18	16	14	12	10	8	6	4	2

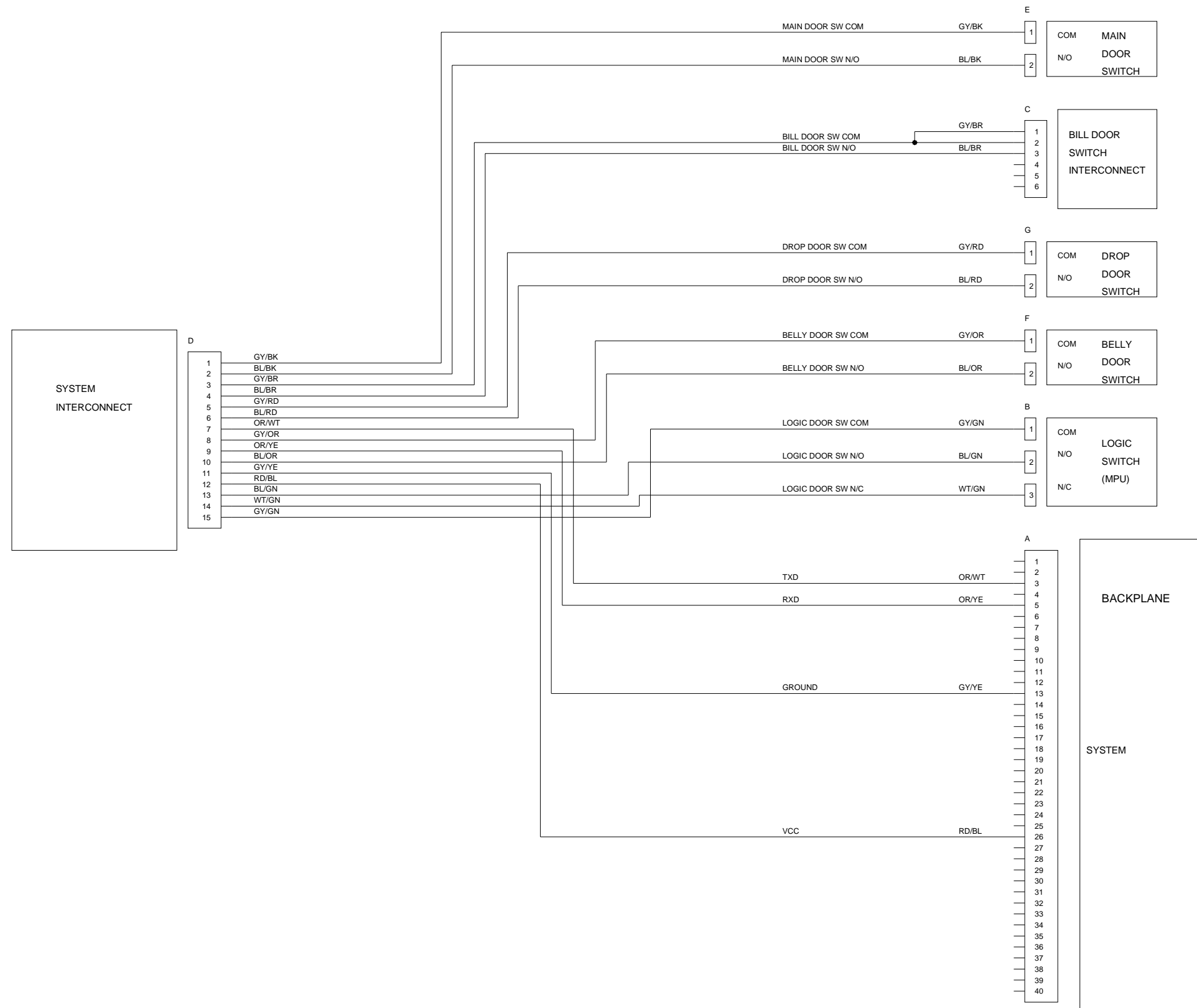
B JCM BILL ACCEPTOR

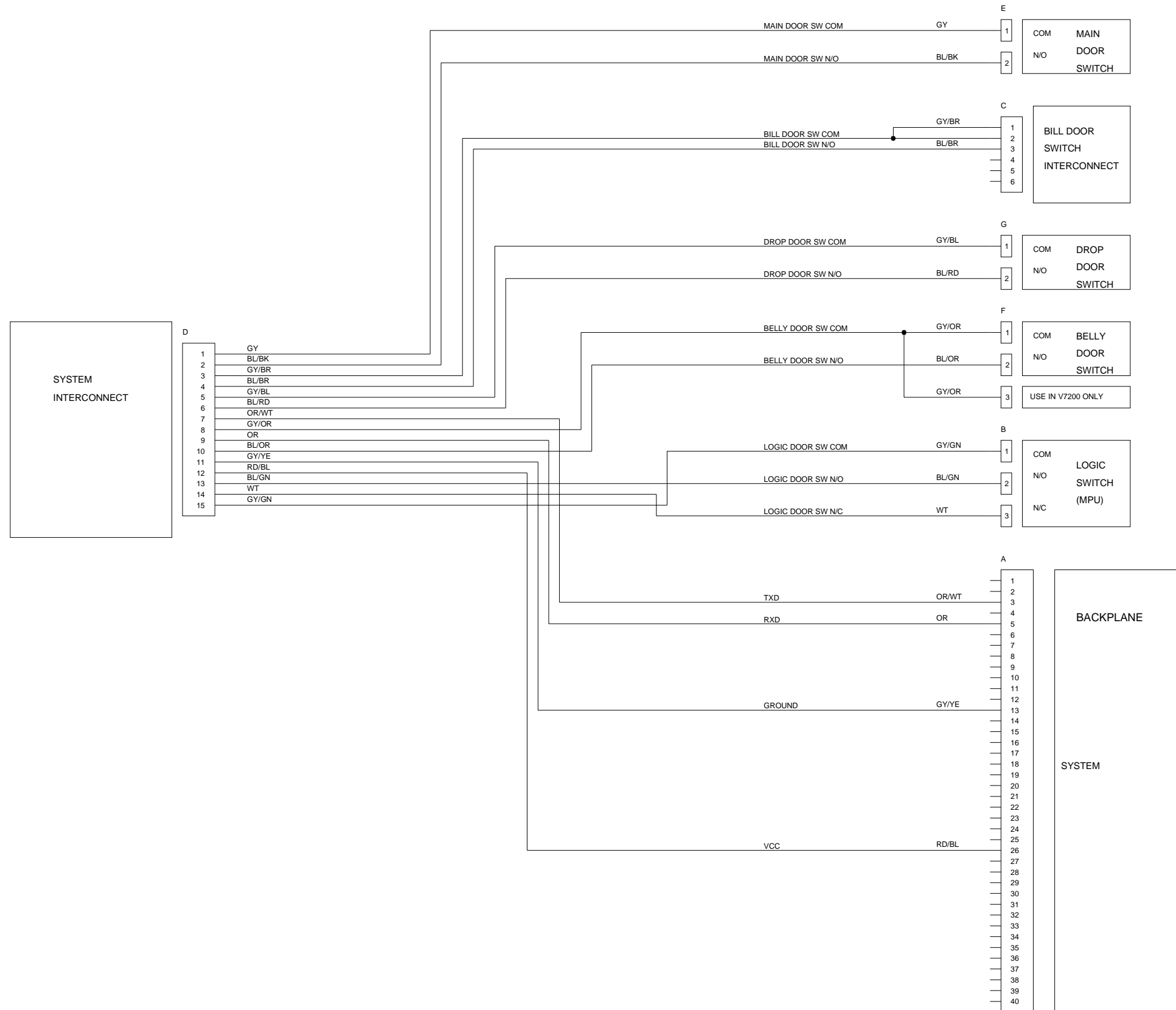
1	RD
2	BR
3	BR
4	OR
5	YE
6	GN
7	BL
8	VT
9	
10	
11	
12	
13	YE-1
14	
15	
16	
17	
18	
19	BR-1
20	

CABLE, WBA-12/13, W/SENTRY EVO SLANT
CBL-30638-0002

Bill Acceptors

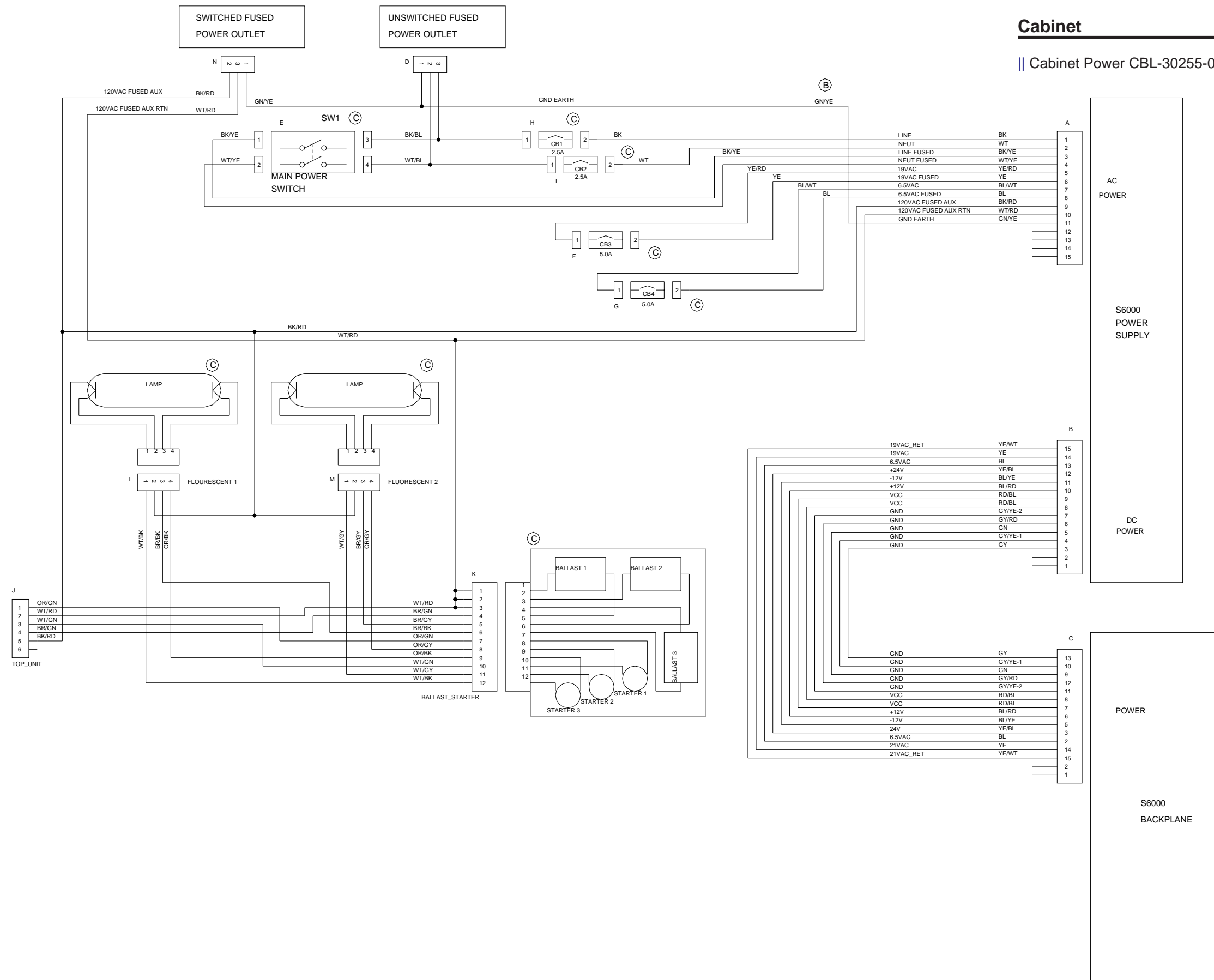
Diode Isolation Bill Acceptor Doors, GPT
 CBL-30405-0001 Slant





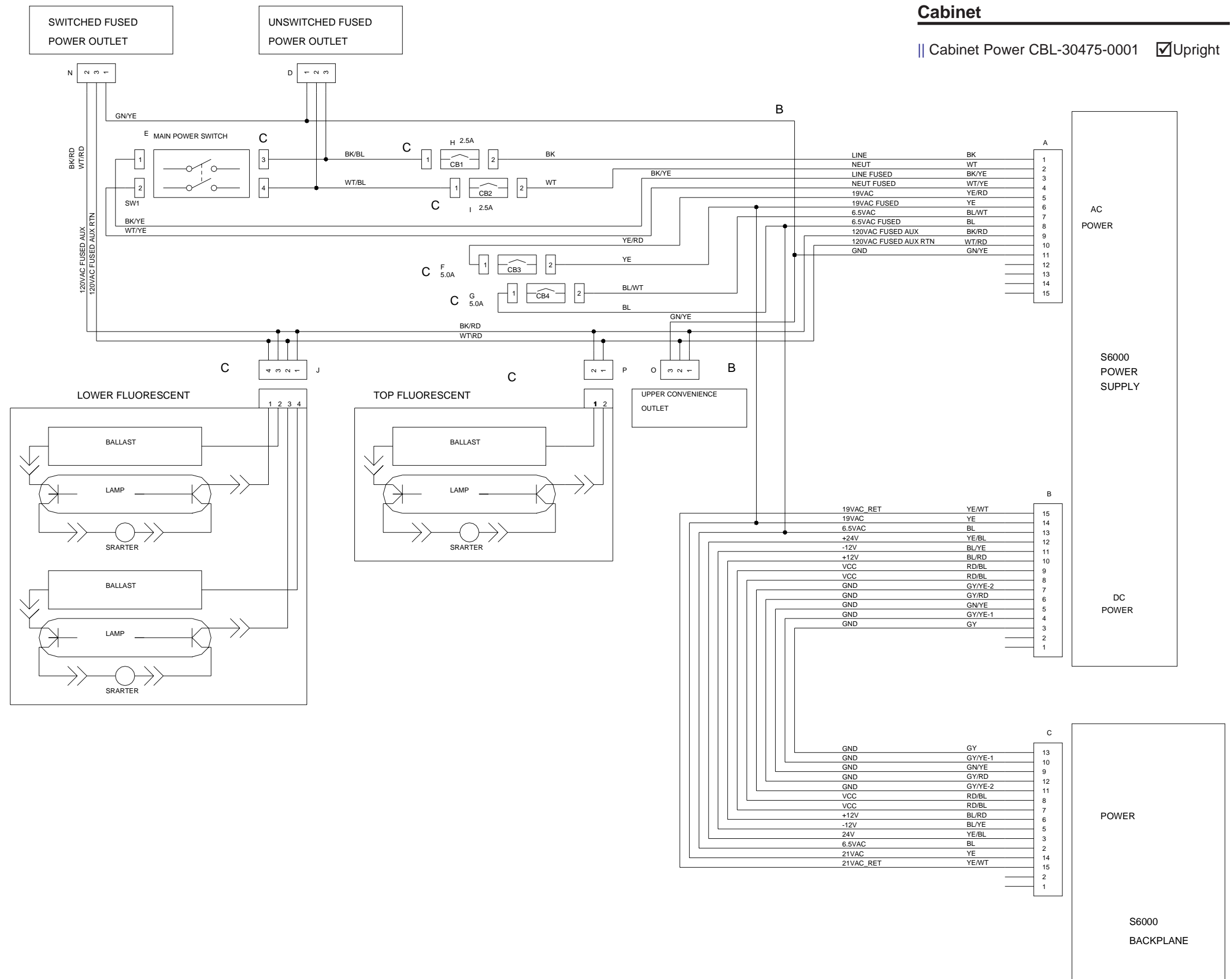
Cabinet

|| Cabinet Power CBL-30255-0001 Slant



Cabinet

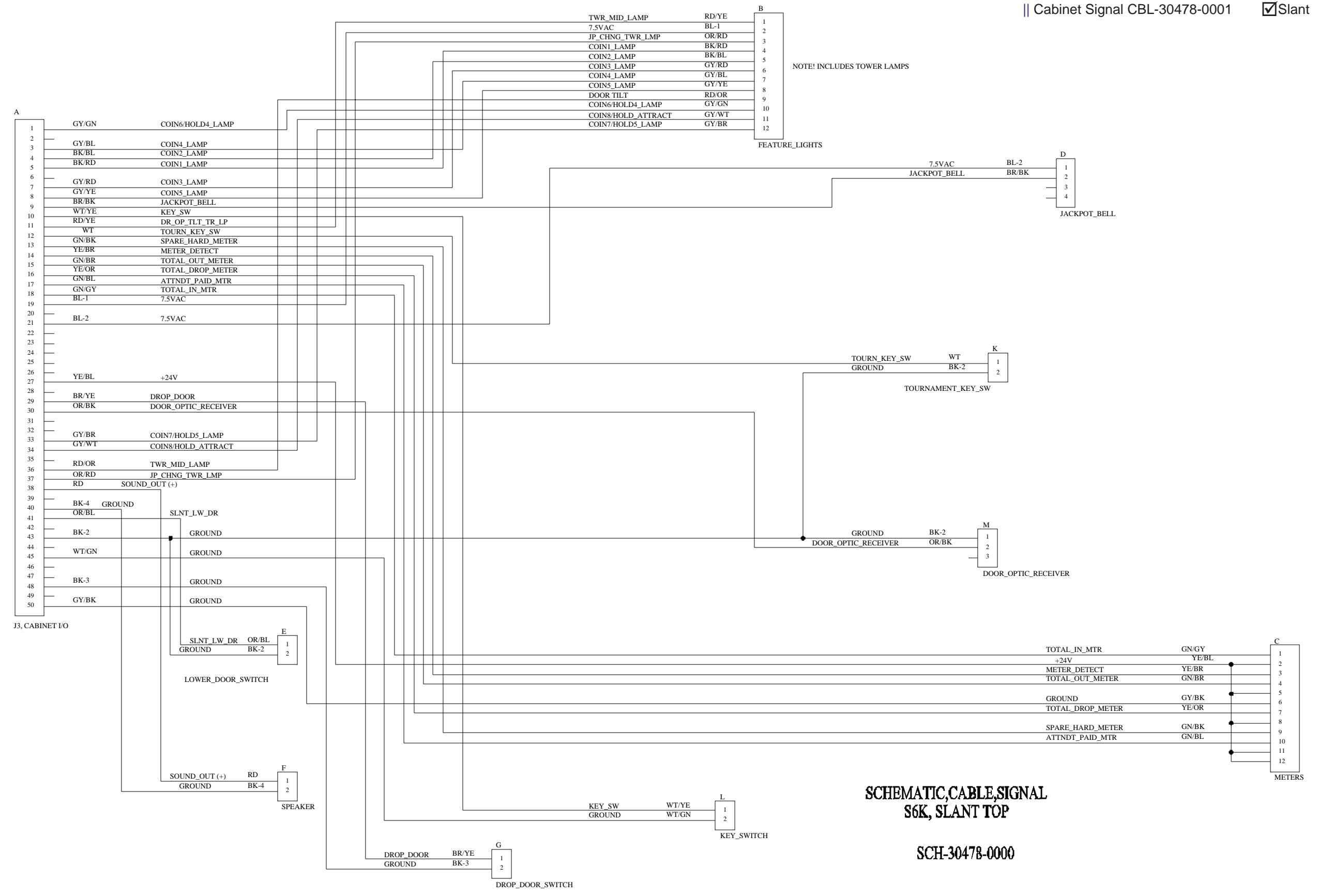
|| Cabinet Power CBL-30475-0001 Upright



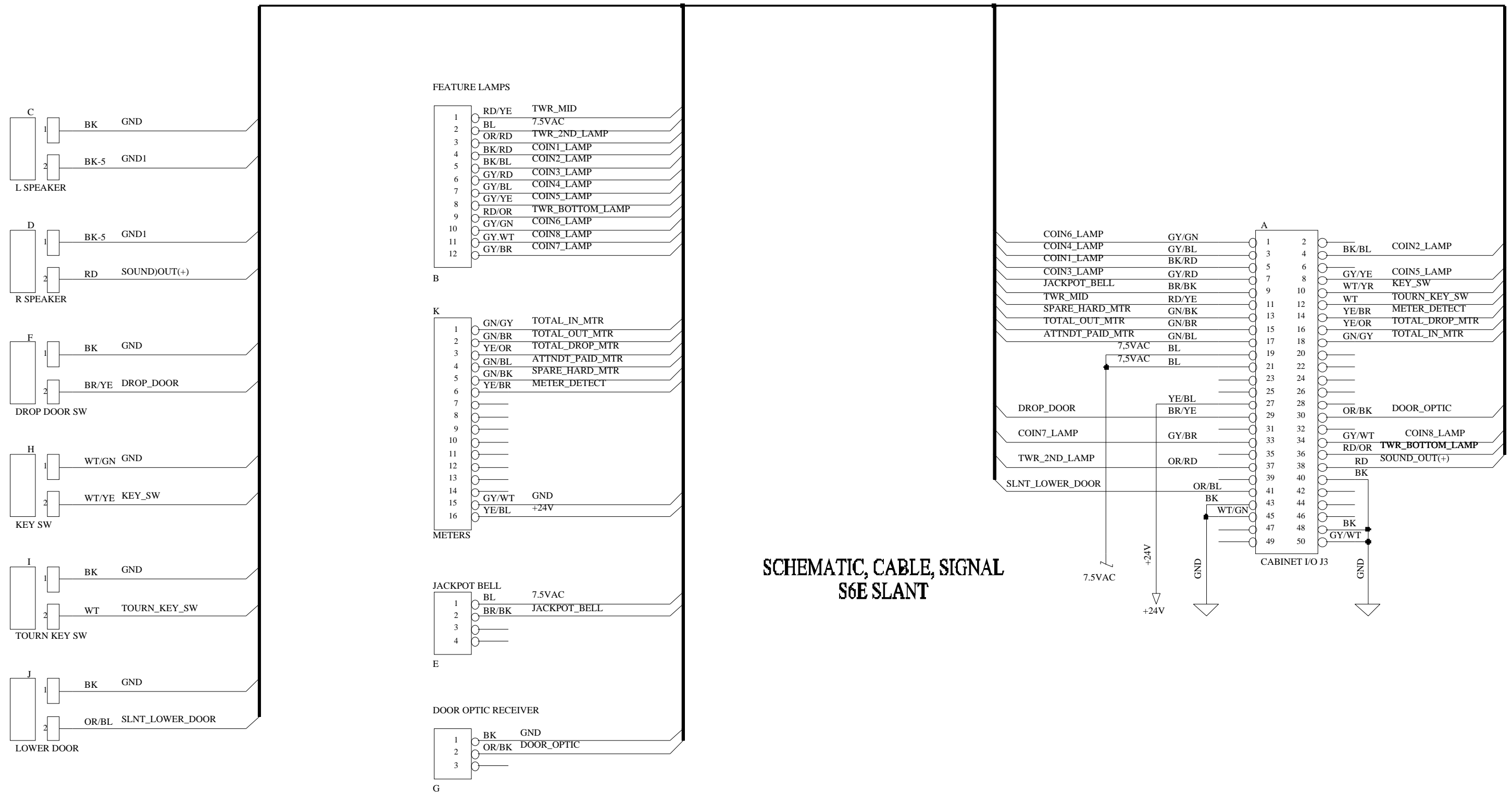
Cabinet

|| Cabinet Signal CBL-30478-0001 Slant

S6000
BACKPLANE



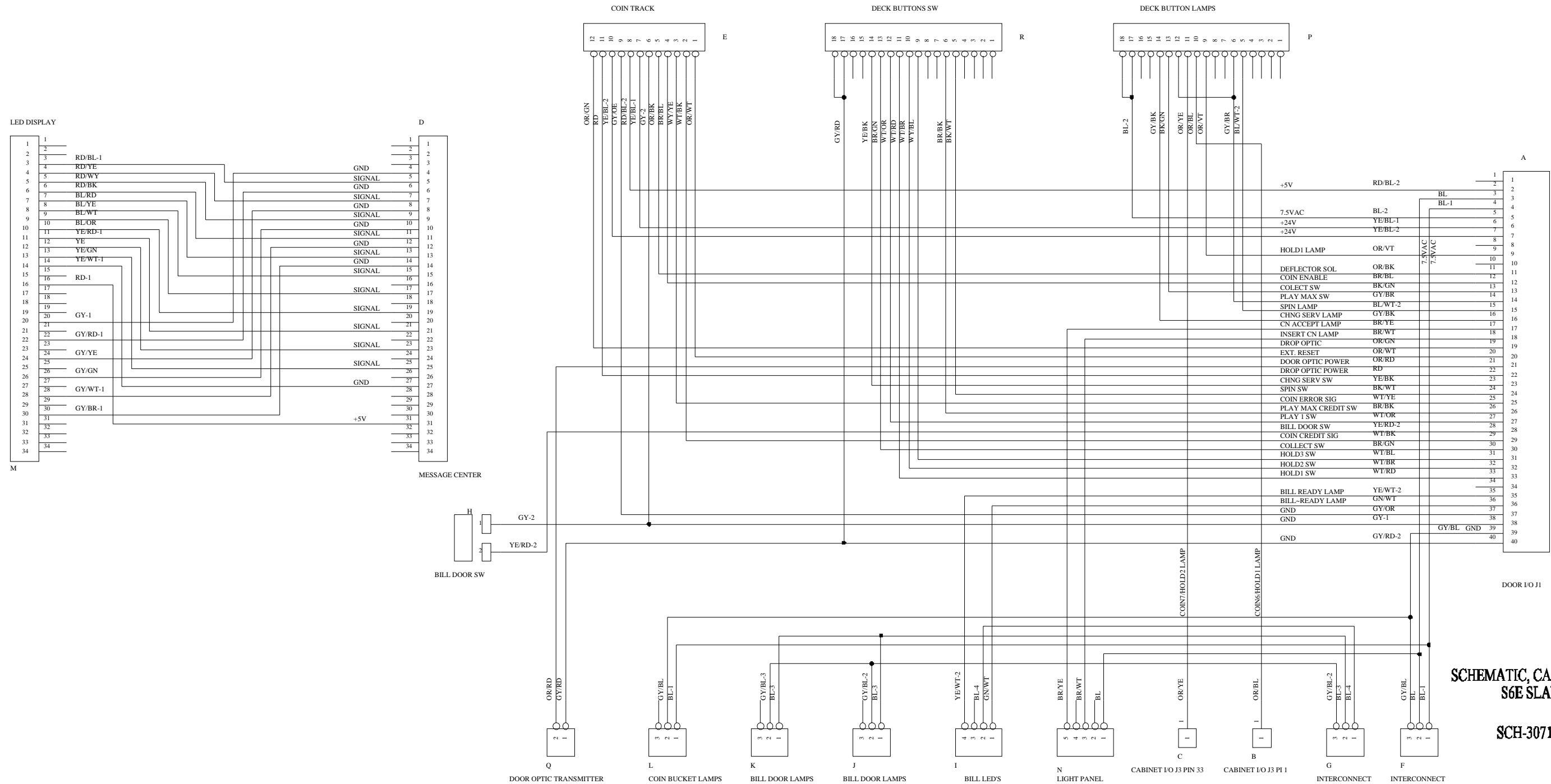
**SCHEMATIC, CABLE, SIGNAL
S6K, SLANT TOP
SCH-30478-0000**



Cabinet

|| Deck CBL-30715-0001

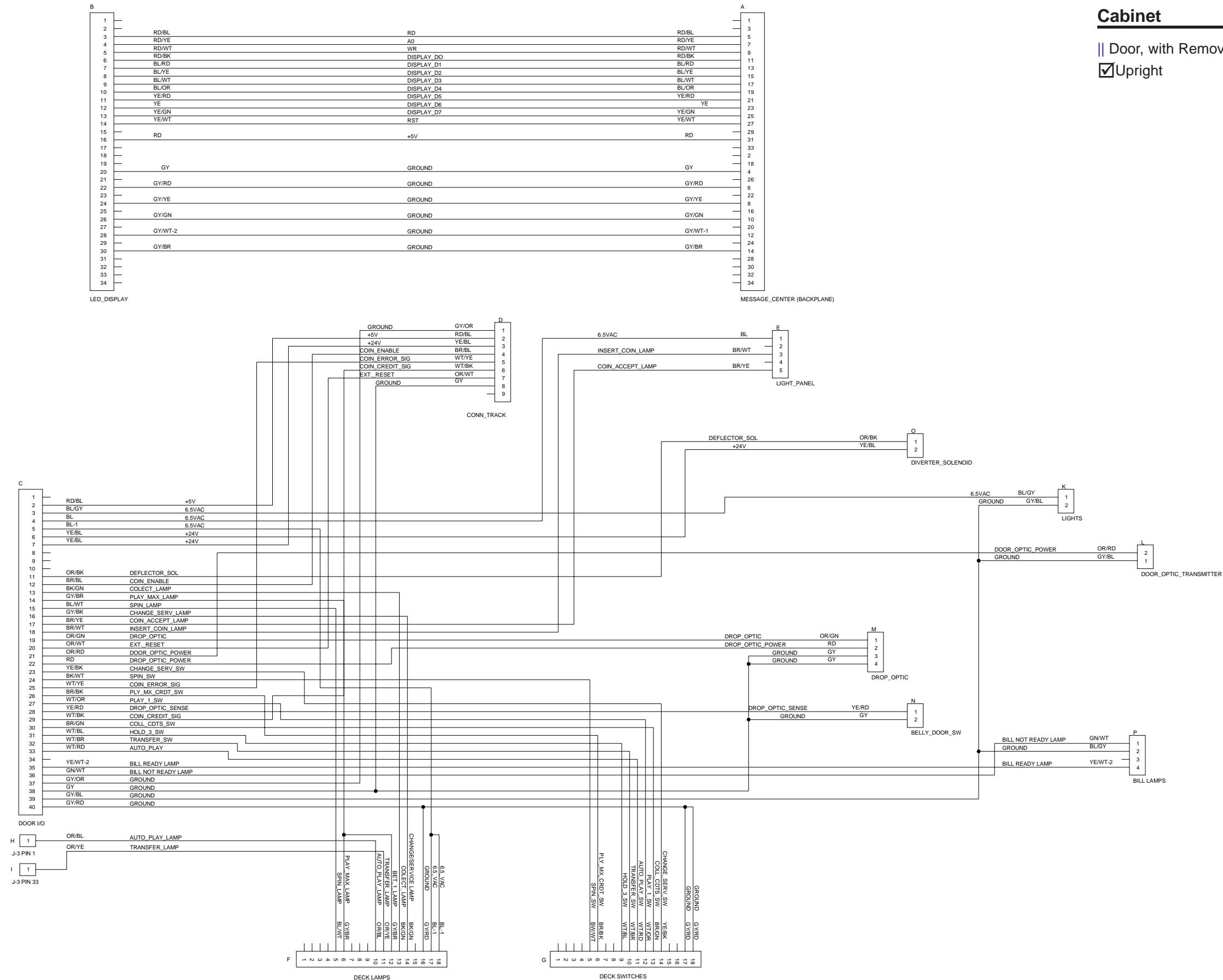
S6E



Cabinet

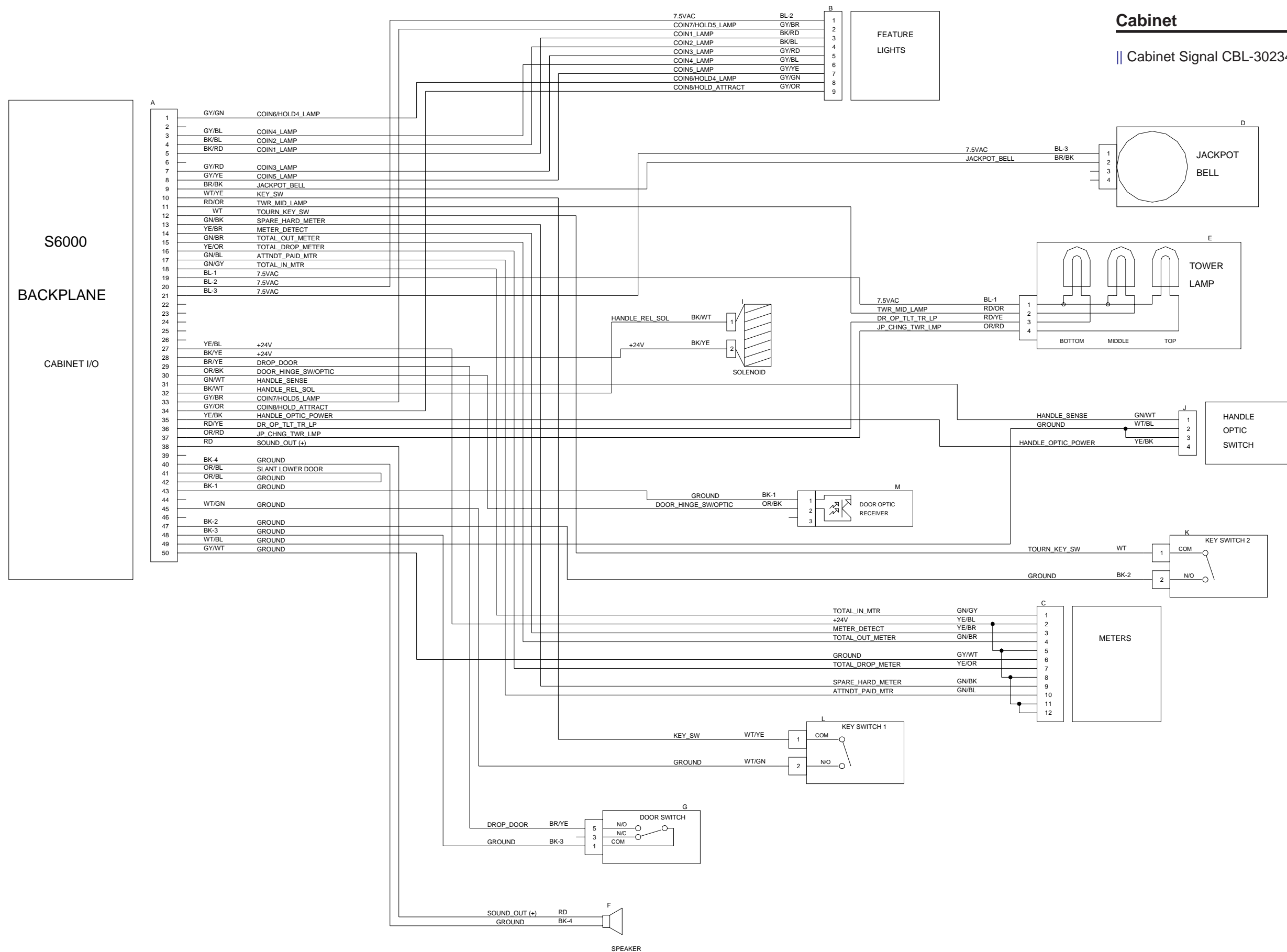
|| Door, with Removable Deck CBL-30680-0001

Upright



Cabinet

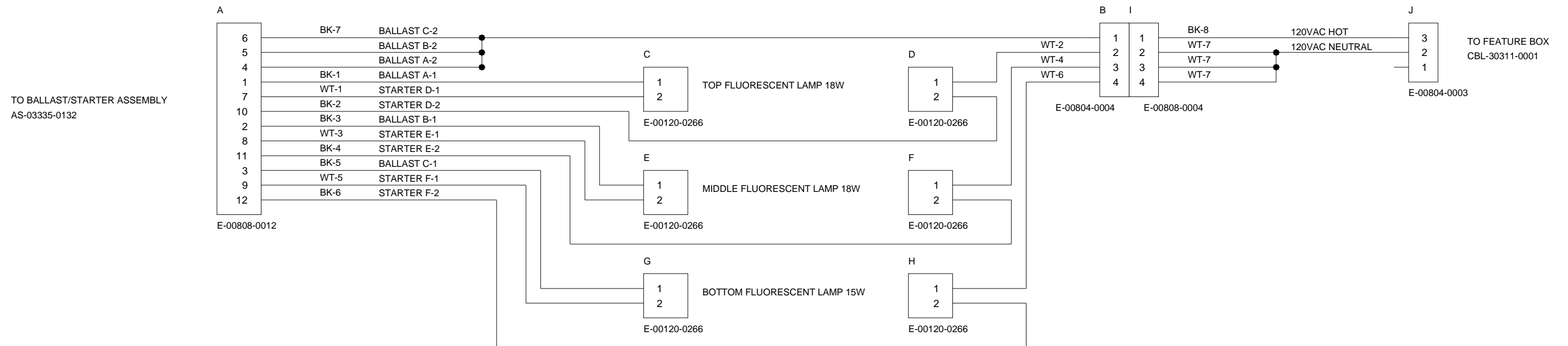
|| Cabinet Signal CBL-30234-0001 Upright



Cabinet

|| Light Panel Feature, Round CBL-30377-0001

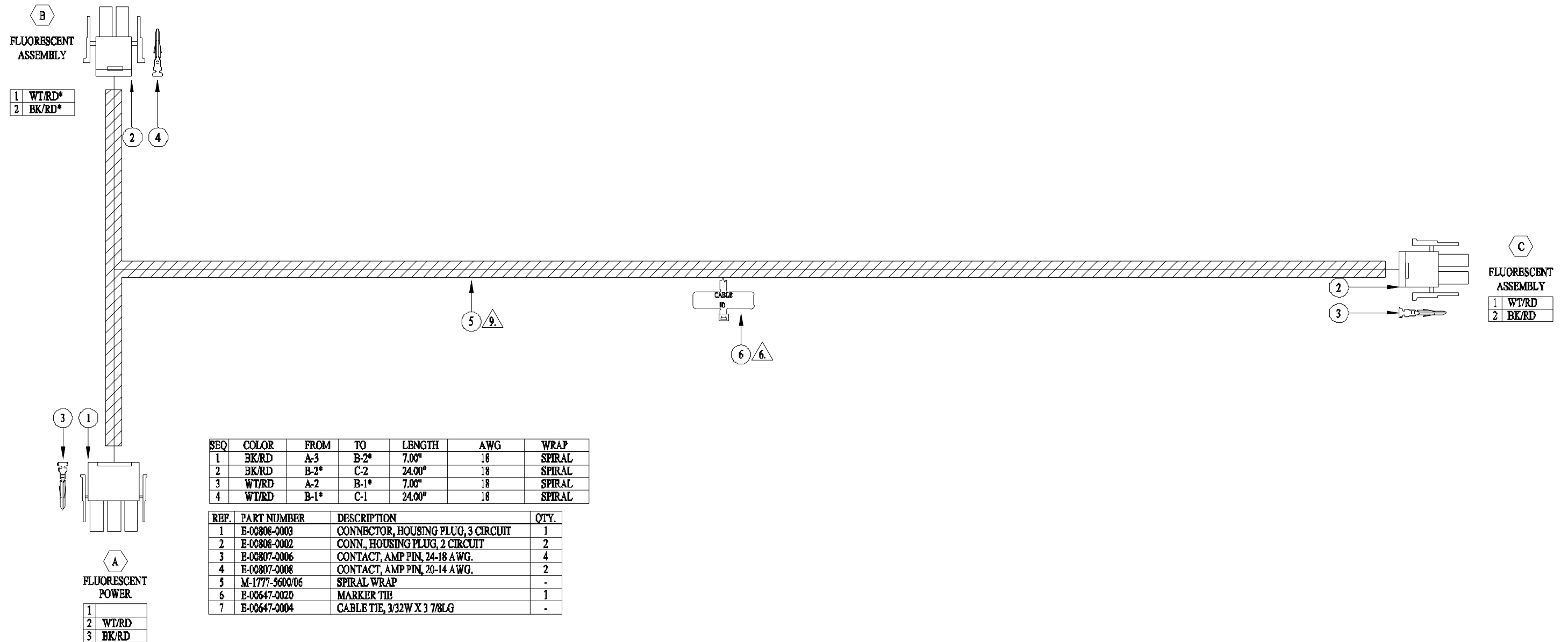
Slant



Cabinet

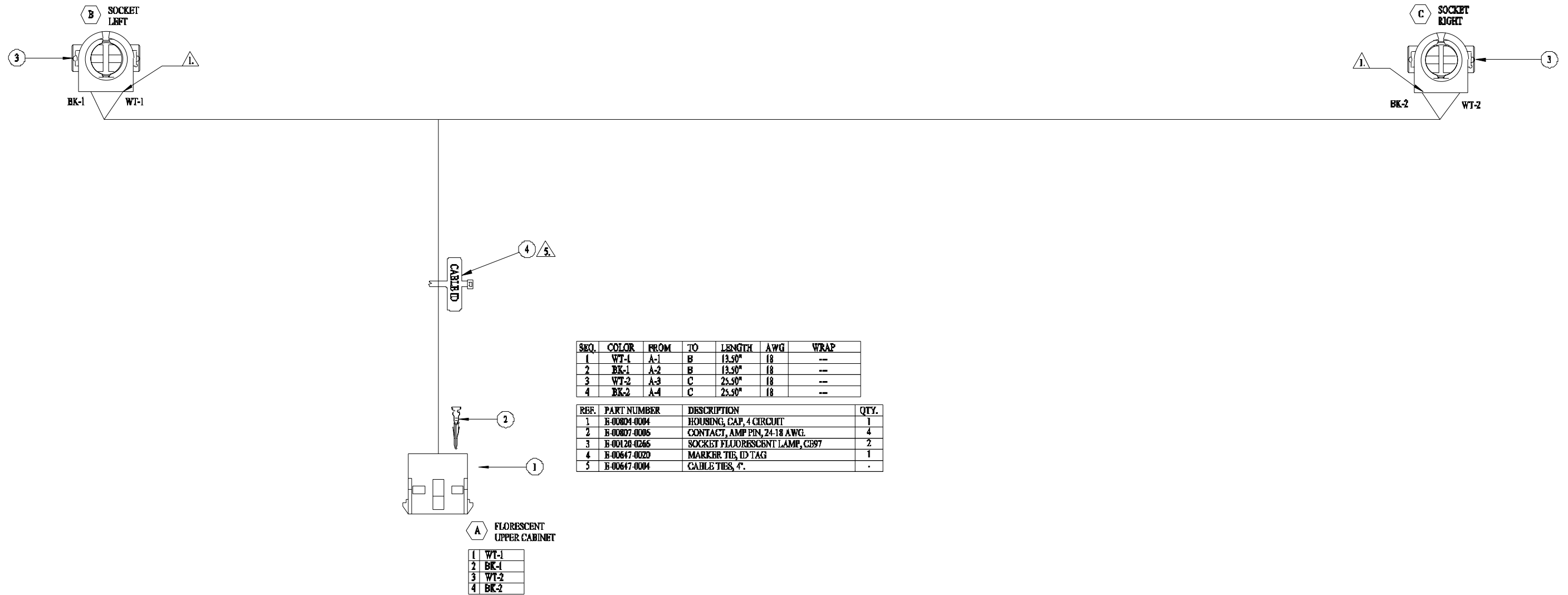
|| Top Box Fluorescent CBL-20368-0001

S6E



Cabinet

|| Top Box Light CBL-30643-0001 S6E

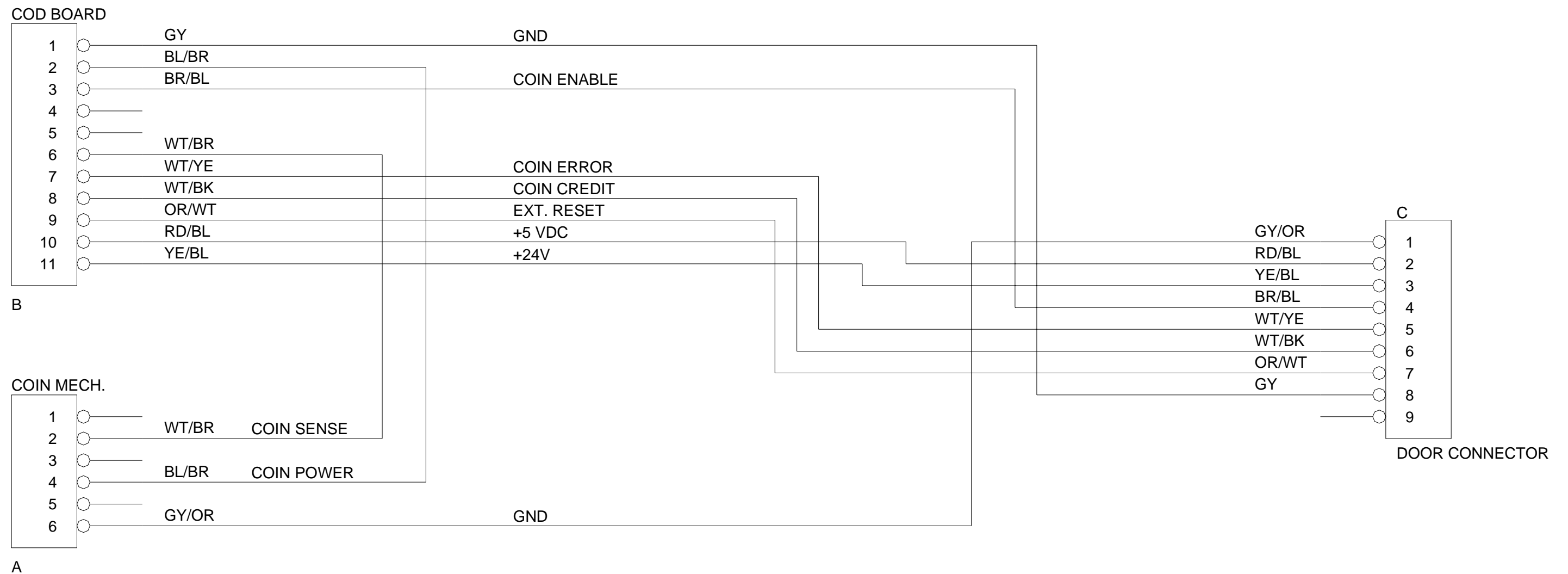


SEQ.	COLOR	FROM	TO	LENGTH	AWG	WRAP
1	WT-1	A-1	B	13.50"	18	---
2	BK-1	A-2	B	13.50"	18	---
3	WT-2	A-3	C	25.50"	18	---
4	BK-2	A-4	C	25.50"	18	---

REF.	PART NUMBER	DESCRIPTION	QTY.
1	B-00804-0004	HOUSING, CAP, 4 CIRCUIT	1
2	B-00807-0006	CONTACT, AMP PIN, 24-18 AWG.	4
3	B-00128-0266	SOCKET FLUORESCENT LAMP, C897	2
4	B-00647-0020	MARKER TIE, ID TAG	1
5	B-00647-0004	CABLE TIES, 4"	.

Coin Acceptor

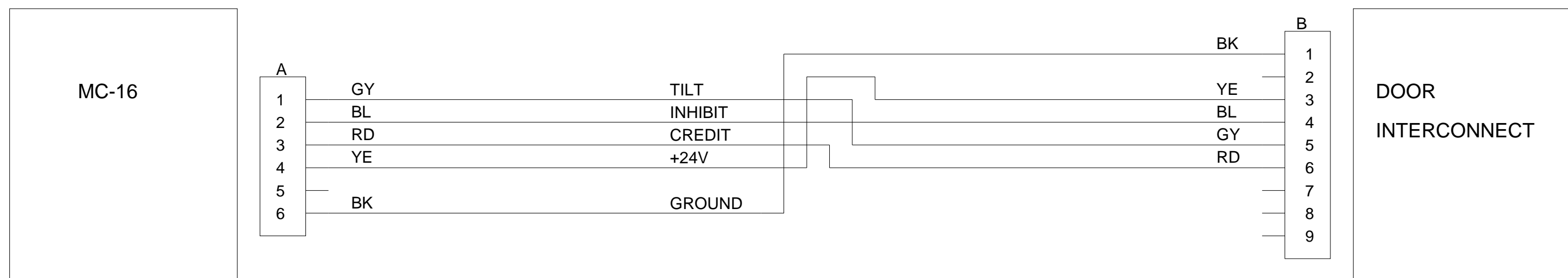
|| COD / CC-16 CBL-30471-0001 Upright



Coin Acceptor

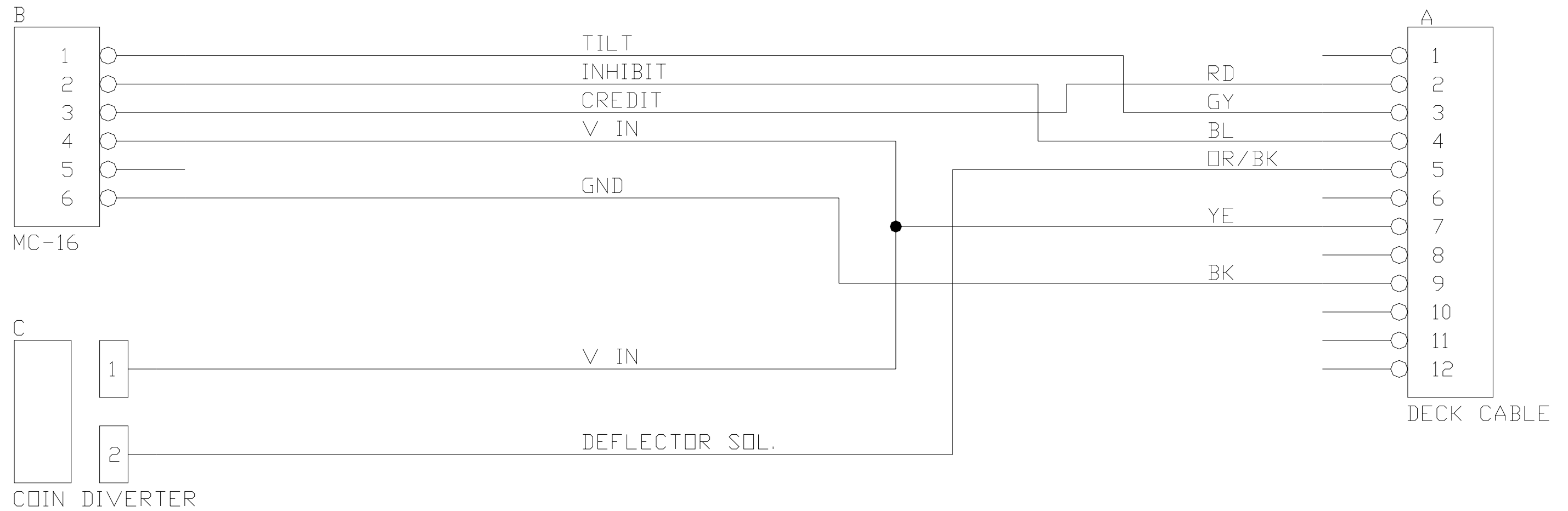
Coin Acceptor Interface, MC-16

CBL-20295-0001 Upright



Coin Acceptor

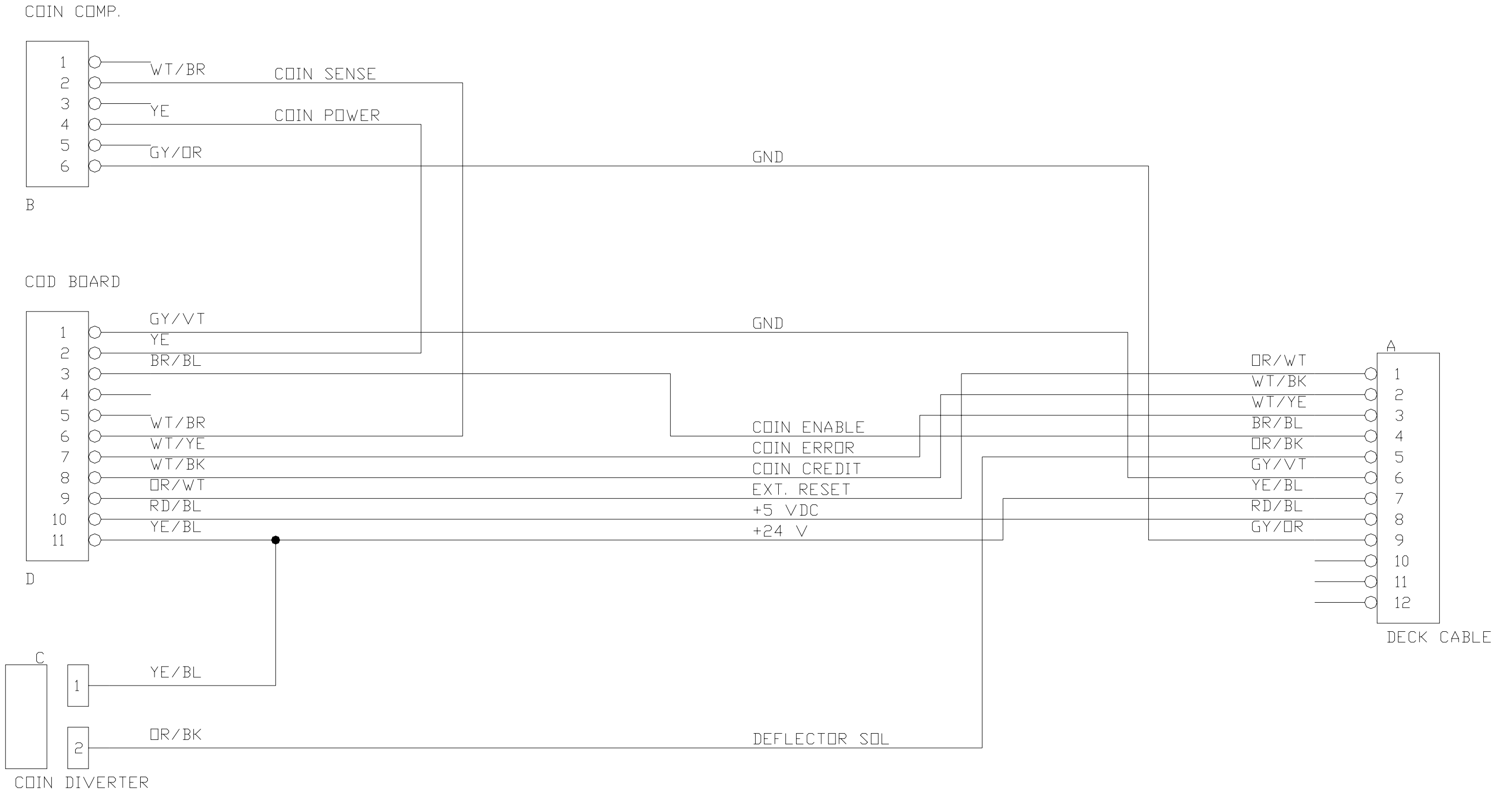
|| Coin Acceptor Interface, MC-16
CBL-20307-0001 Slant



Coin Acceptor

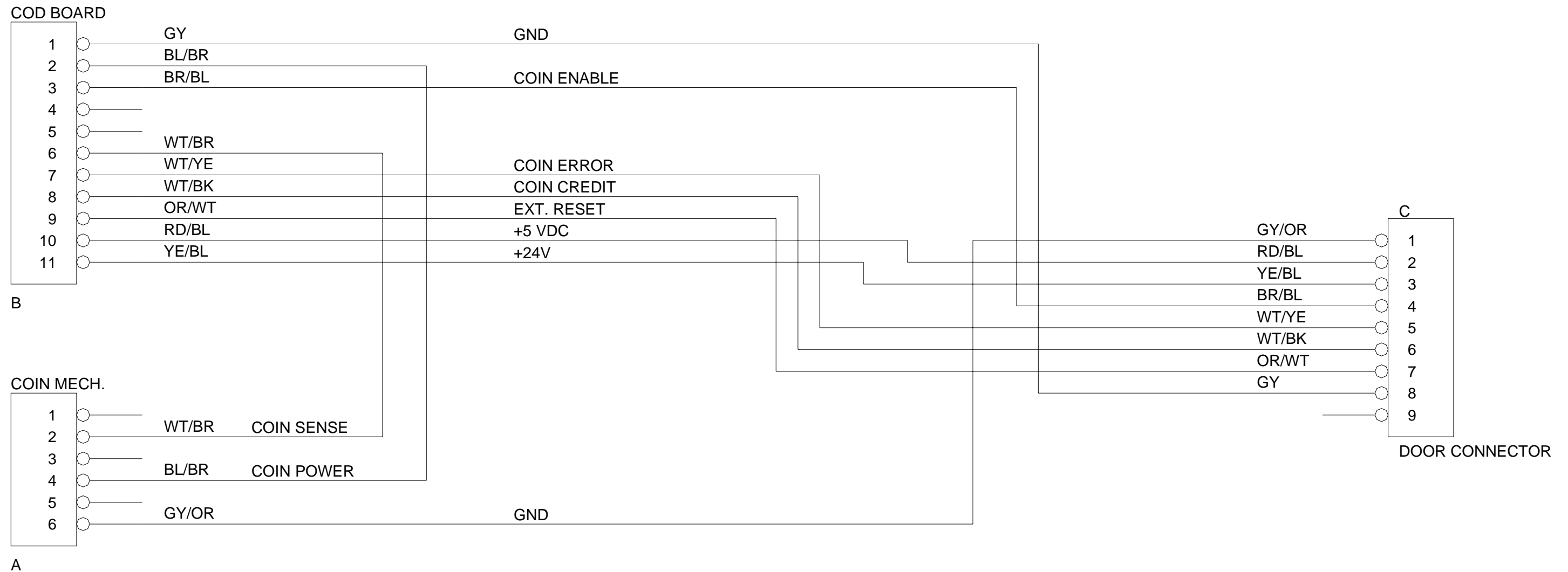
|| Coin I/O CBL-30472-0001

☑ Slant



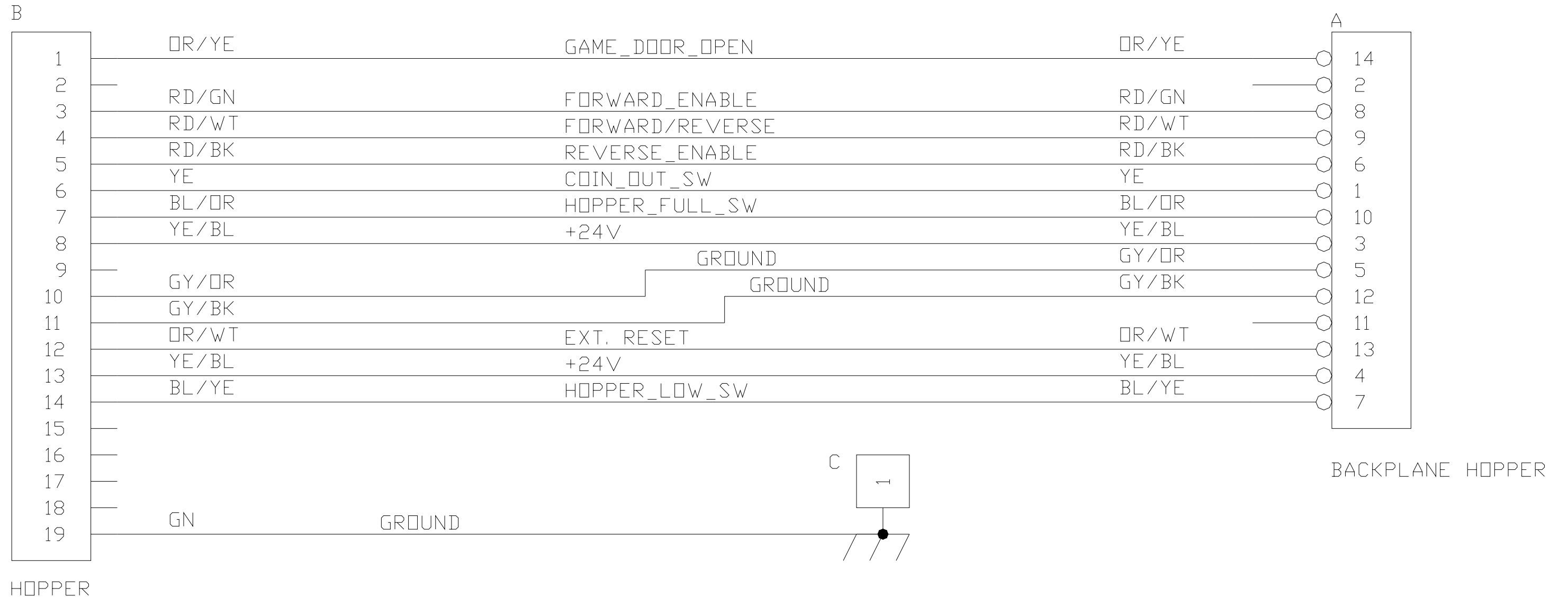
Coin Acceptor

|| Coin I/O, COD/IDX/Condor
 CBL-30471-0002 Upright



Hopper

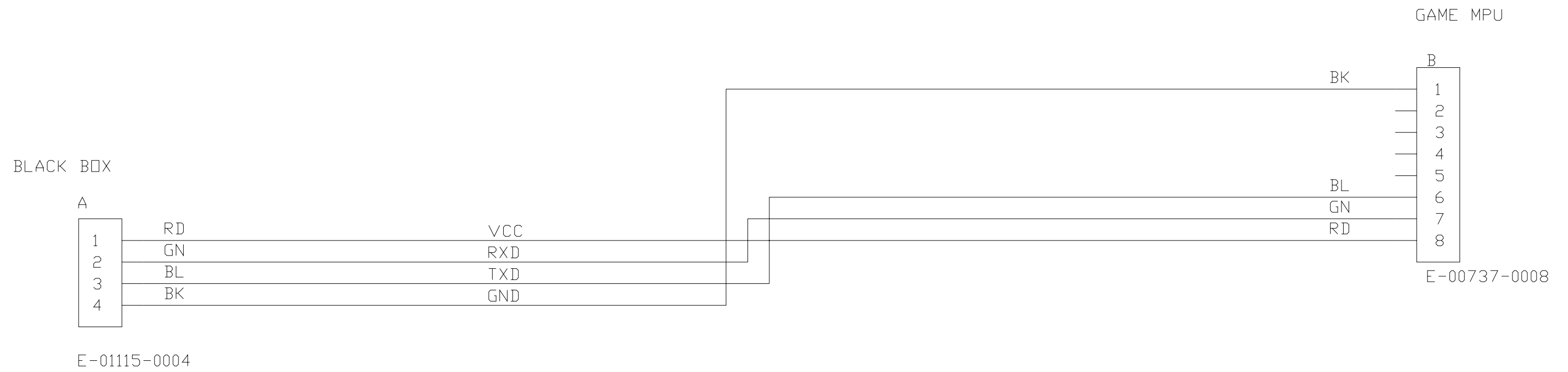
- || Hopper CBL-30473-0001 Upright
- || Hopper CBL-30476-0002 Slant



Logic

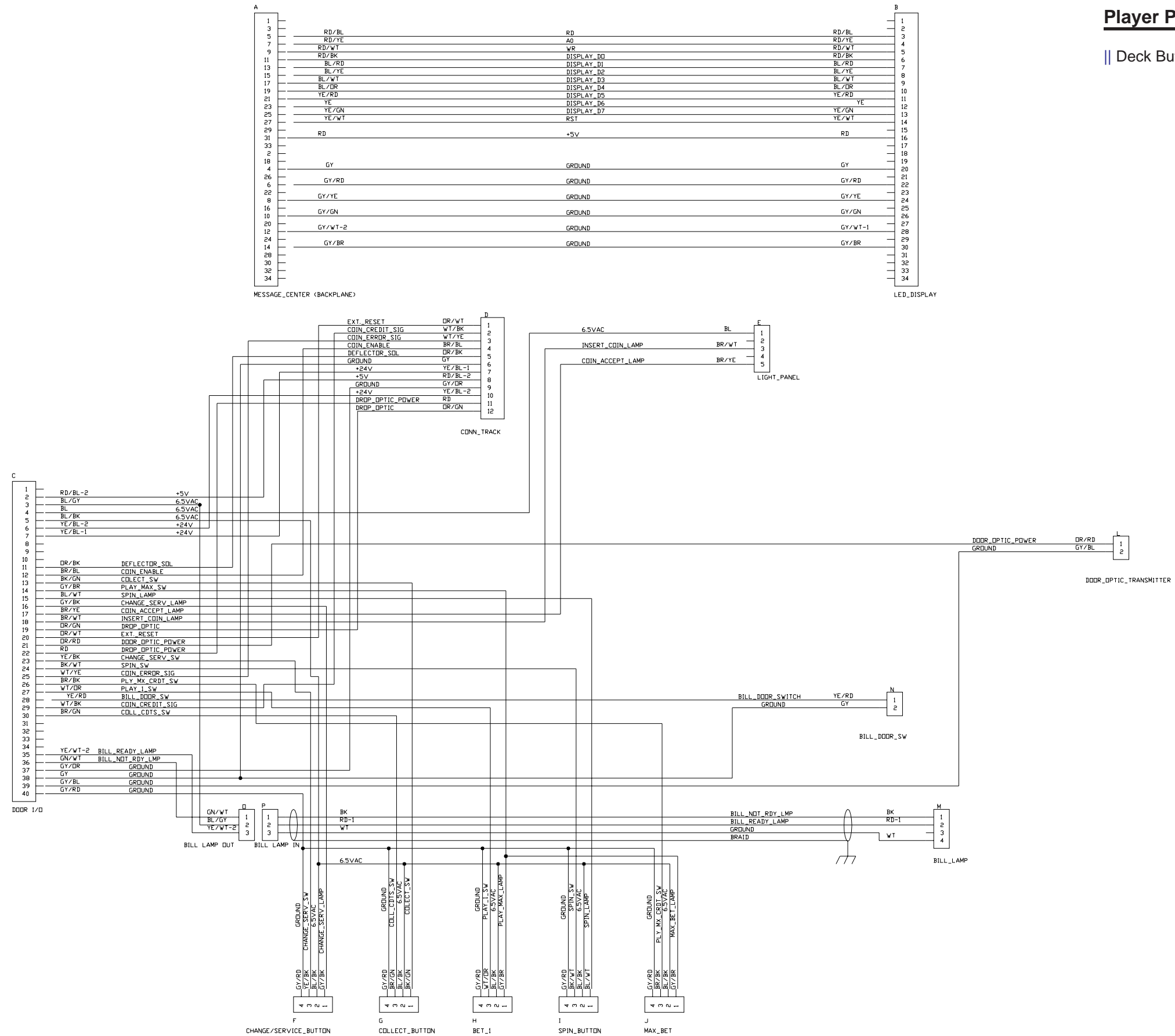
Data Vault™ (France) CBL-20277-0001

Upright Slant



Player Panel

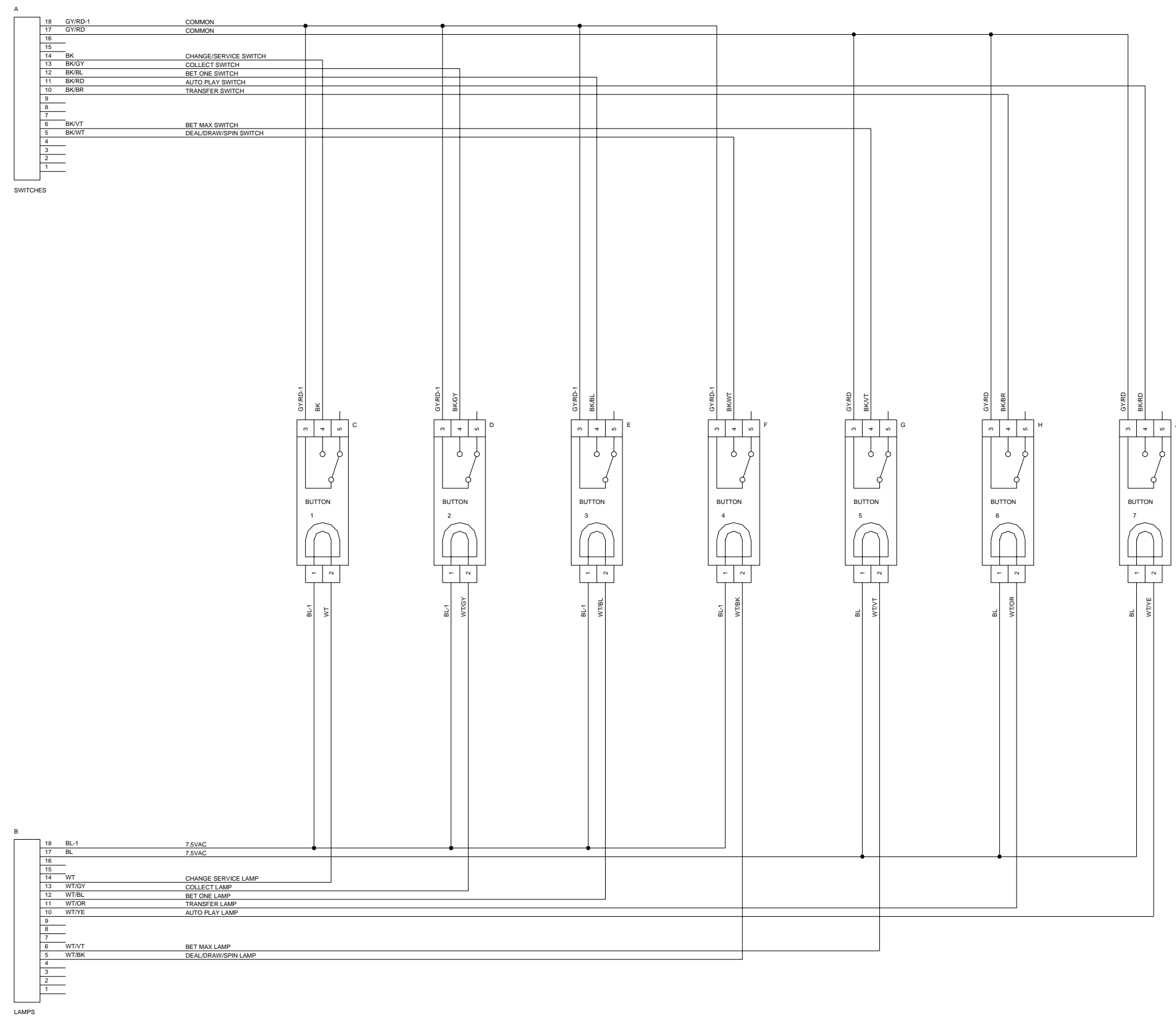
|| Deck Button CBL-30473-0001 Slant



Player Panel

|| 7-Button Deck (United Kingdom)

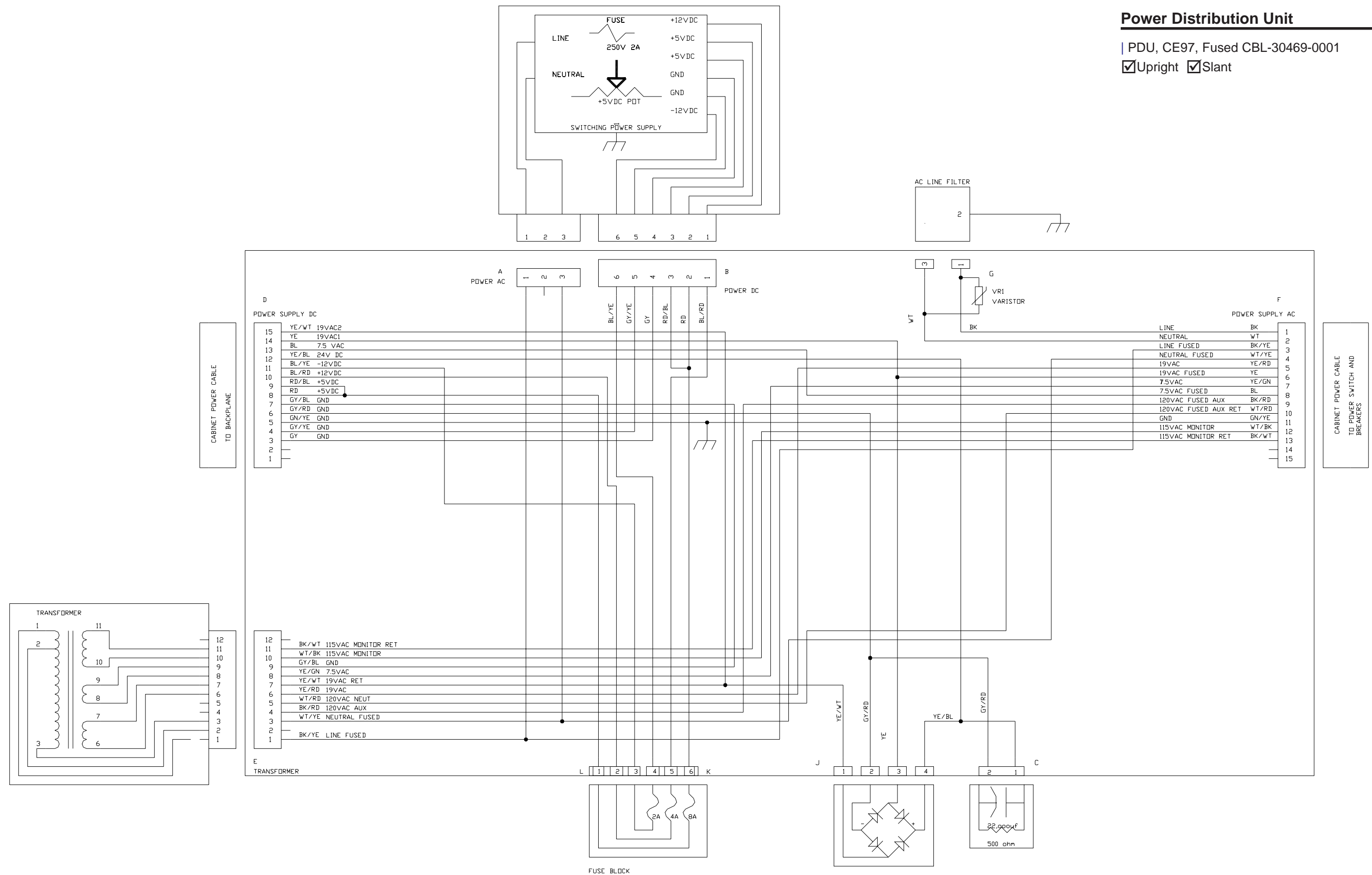
CBL-30681-0001 Upright



Power Distribution Unit

| PDU, CE97, Fused CBL-30469-0001

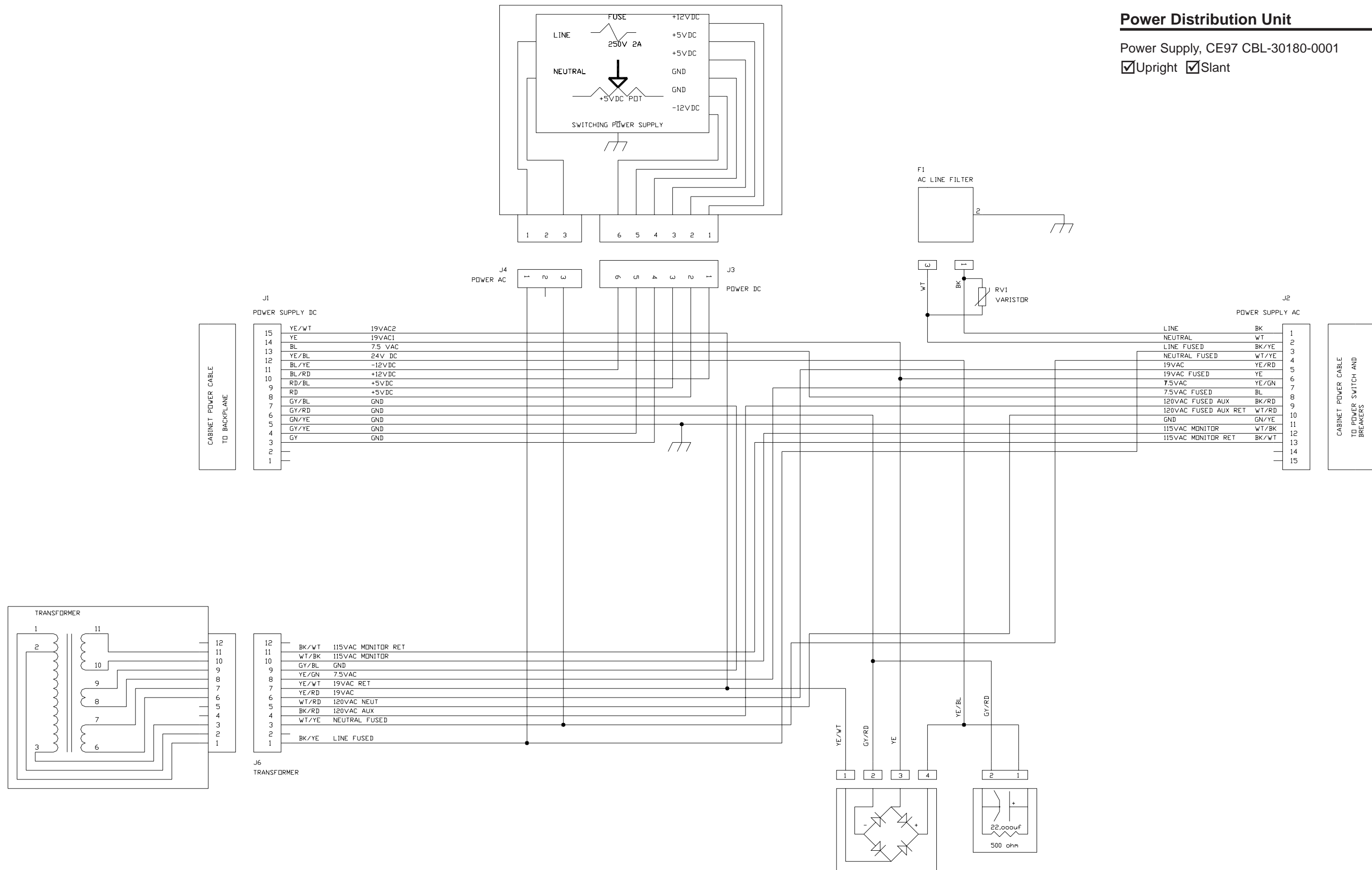
Upright Slant



Power Distribution Unit

Power Supply, CE97 CBL-30180-0001

Upright Slant



J1
POWER SUPPLY DC

15	YE/WT	19VAC2
14	YE	19VAC1
13	BL	7.5 VAC
12	YE/BL	24V DC
11	BL/YE	-12VDC
10	RD/BL	+12VDC
9	RD	+5VDC
8	RD	+5VDC
7	GY/BL	GND
6	GY/RD	GND
5	GN/YE	GND
4	GY/YE	GND
3	GY	GND
2		
1		

J2
POWER SUPPLY AC

1	LINE	BK
2	NEUTRAL	WT
3	LINE FUSED	BK/YE
4	NEUTRAL FUSED	WT/YE
5	19VAC	YE/RD
6	19VAC FUSED	YE
7	7.5VAC	YE/GN
8	7.5VAC FUSED	BL
9	120VAC FUSED AUX	BK/RD
10	120VAC FUSED AUX RET	WT/RD
11	GND	GN/YE
12	115VAC MONITOR	WT/BK
13	115VAC MONITOR RET	BK/WT
14		
15		

J6
TRANSFORMER

12	BK/WT	115VAC MONITOR RET
11	WT/BK	115VAC MONITOR
10	GY/BL	GND
9	YE/GN	7.5VAC
8	YE/WT	19VAC RET
7	YE/RD	19VAC
6	WT/RD	120VAC NEUT
5	BK/RD	120VAC AUX
4	WT/YE	NEUTRAL FUSED
3		
2	BK/YE	LINE FUSED
1		

Printer

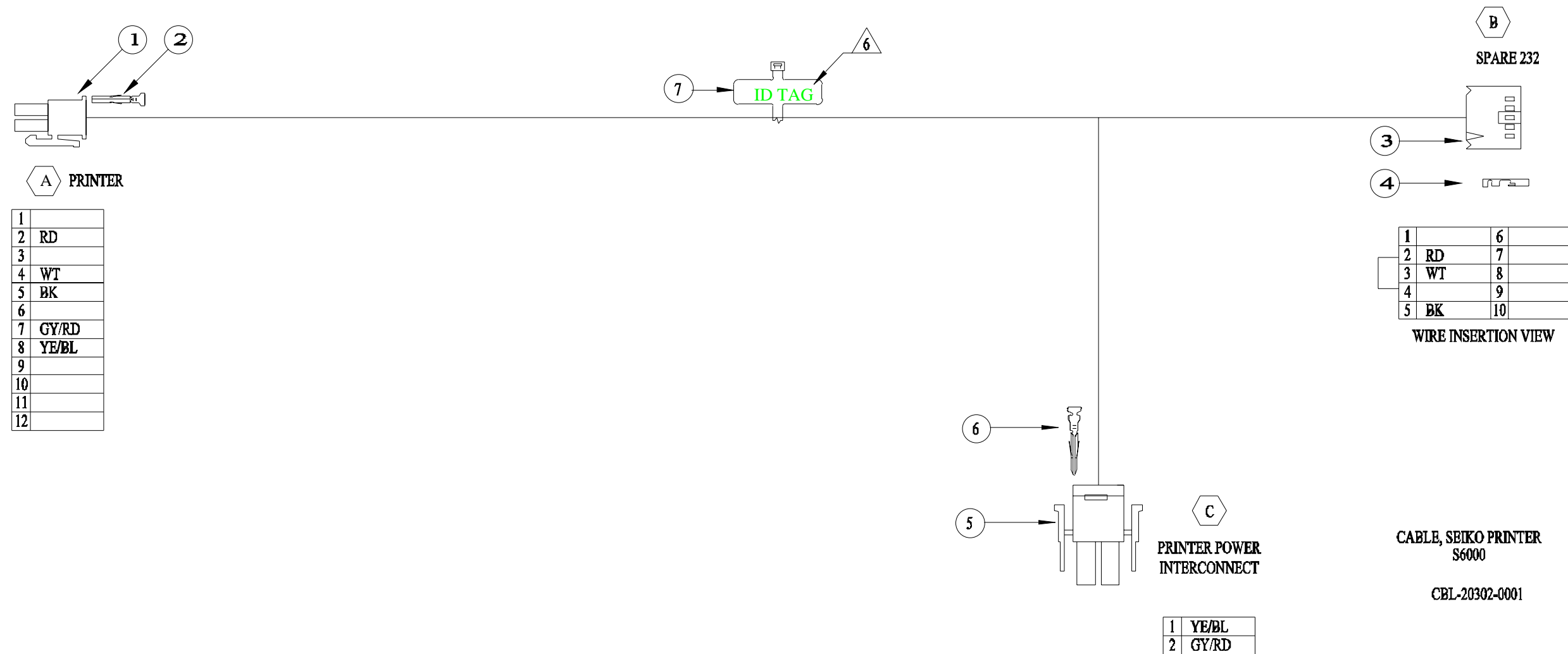
|| Seiko Printer CBL-20302-0001 Upright

WIRE RUNNING LIST

SEQ.	COLOR	FROM	TO	LENGTH	AWG	WRAP
1	YE/BL	A-8	C-1	16.00"	18	
2	GY/RD	A-7	C-2	16.00"	18	
3	BK	A-5	B-5	16.00"	22	
4	RD	A-2	B-2	16.00"	22	
5	WT	A-4	B-3	16.00"	22	

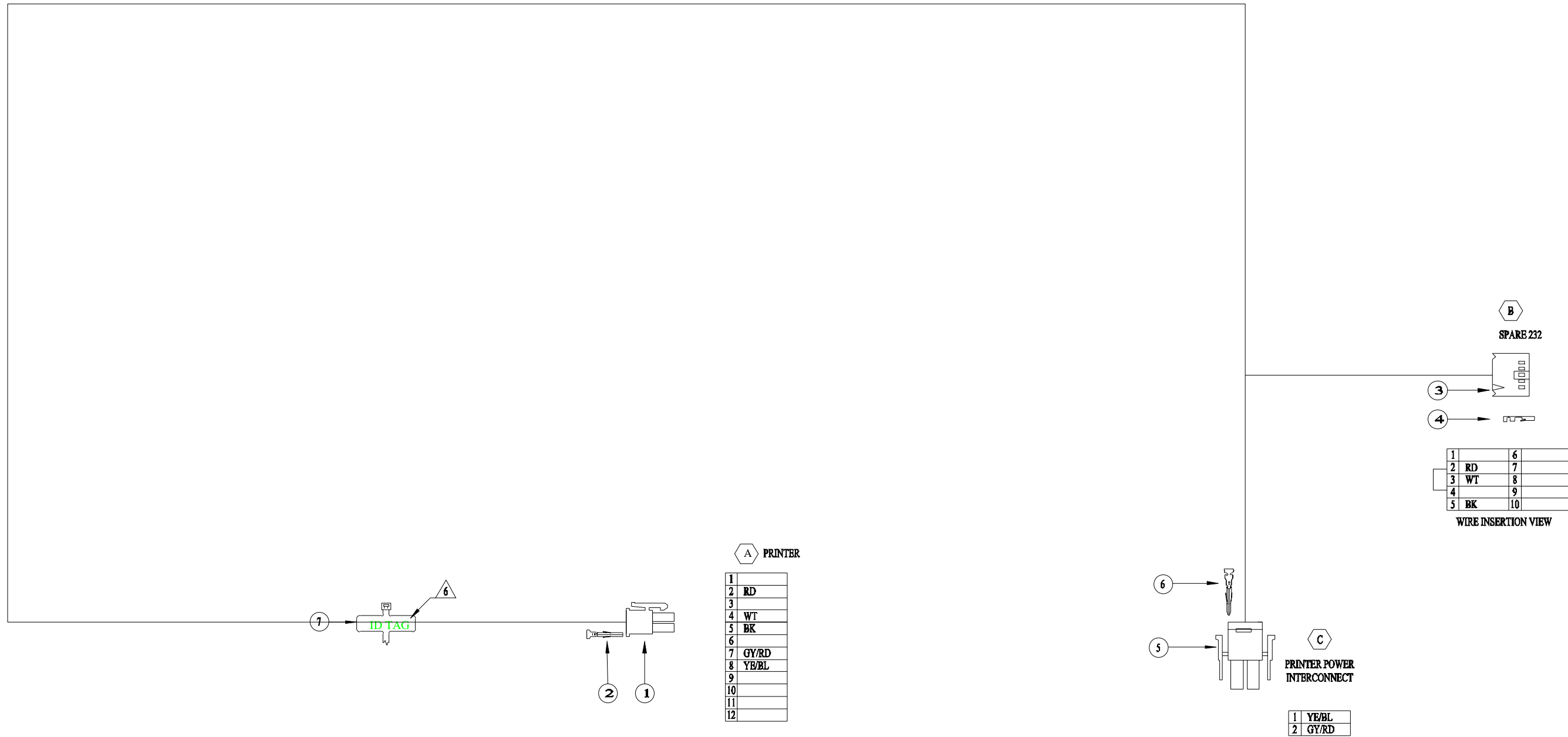
MATERIALS LIST

REF.	PART NUMBER	DESCRIPTION	QTY.
1	E-00778-0212	CONN, RECEPTACLE, MINI-FIT, JR., 12 CIR, D/R	1
2	E-00778-0100	TERMINAL, SOCKET, MINI-FIT, 18-24 AWG.	5
3	E-01011-0110	CONN, DUAL ROW, 10 PIN	1
4	E-00671-0003	TERMINAL, MOD IV, STANDARD PRESSURE	3
5	E-00808-0002	CONN, HOUSING PLUG, 2 CIRCUIT	1
6	E-00807-0006	CONTACT, AMP PIN, 24-18 AWG.	2
7	E-00647-0020	MARKER TIE	1
8	E-00647-0004	CABLE TIE, 3/32" X 3 7/8"	-



Printer

||| Seiko Printer CBL-20398-0001 S6E



A PRINTER

1	
2	RD
3	
4	WT
5	BK
6	
7	GY/RD
8	YE/BL
9	
10	
11	
12	

WIRE RUNNING LIST

SEQ.	COLOR	FROM	TO	LENGTH	AWG	WRAP
1	YE/BL	A-8	C-1	55.00"	18	
2	GY/RD	A-7	C-2	55.00"	18	
3	BK	A-5	B-5	55.00"	22	
4	RD	A-2	B-2	55.00"	22	
5	WT	A-4	B-3	55.00"	22	

MATERIALS LIST

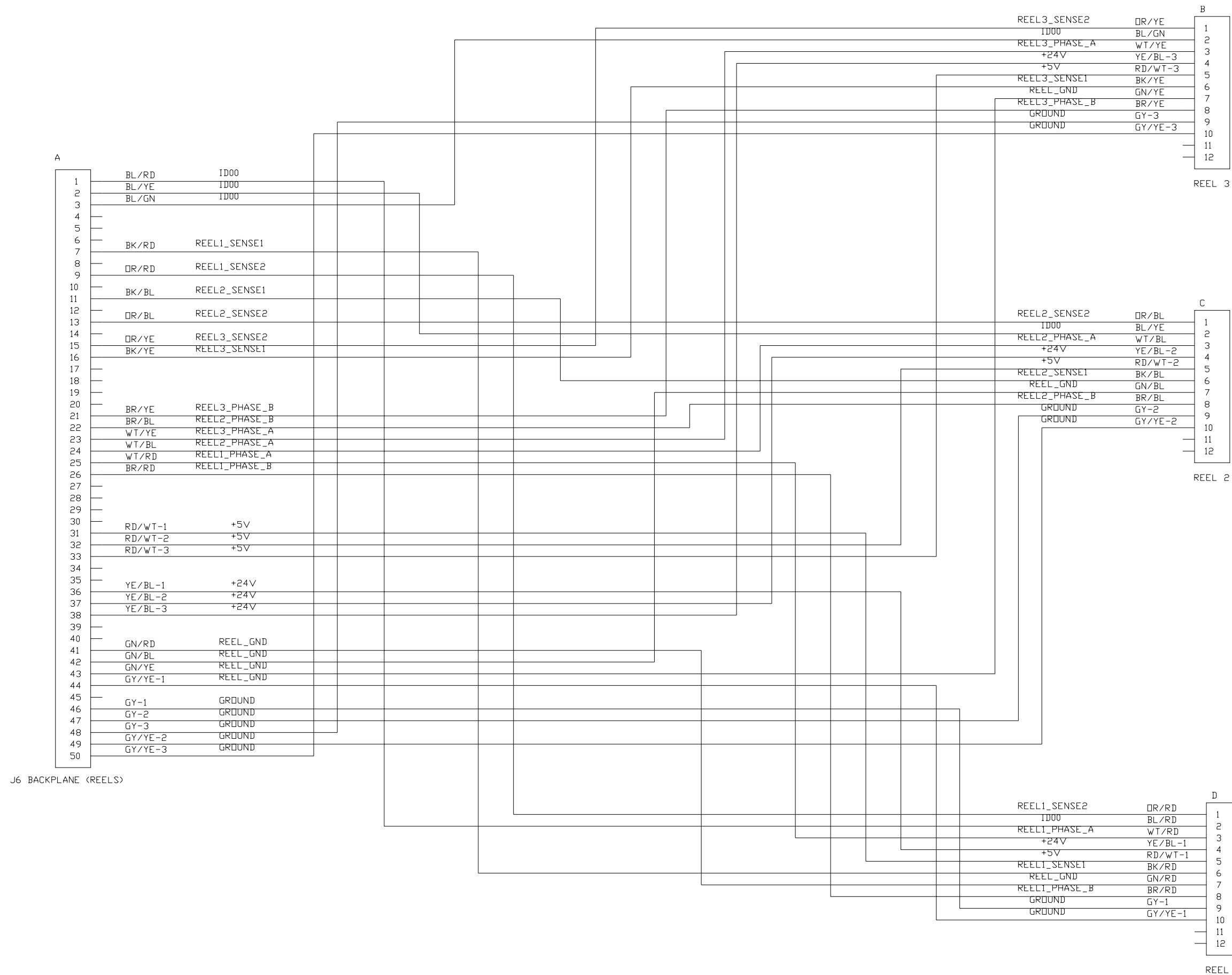
REF.	PART NUMBER	DESCRIPTION	QTY.
1	E-00778-0212	CONN, RECEPTACLE, MINI-FIT, JR., 12 CIR, D/R	1
2	B-00778-0100	TERMINAL, SOCKET, MINI-FIT, 18-24 AWG.	5
3	E-01011-0110	CONN, DUAL ROW, 10 PIN	1
4	E-00671-0003	TERMINAL, MOD IV, STANDARD PRESSURE	3
5	E-00808-0002	CONN, HOUSING PLUG, 2 CIRCUIT	1
6	E-00807-0006	CONTACT, AMP PIN, 24-18 AWG.	2
7	E-00647-0020	MARKER TIE	1
8	E-00647-0004	CABLE TIE, 3/32" X 3 7/8"	-

CABLE, SEIKO PRINTER
S6E SLANT
CBL-20398-0001

Reel Mechanism

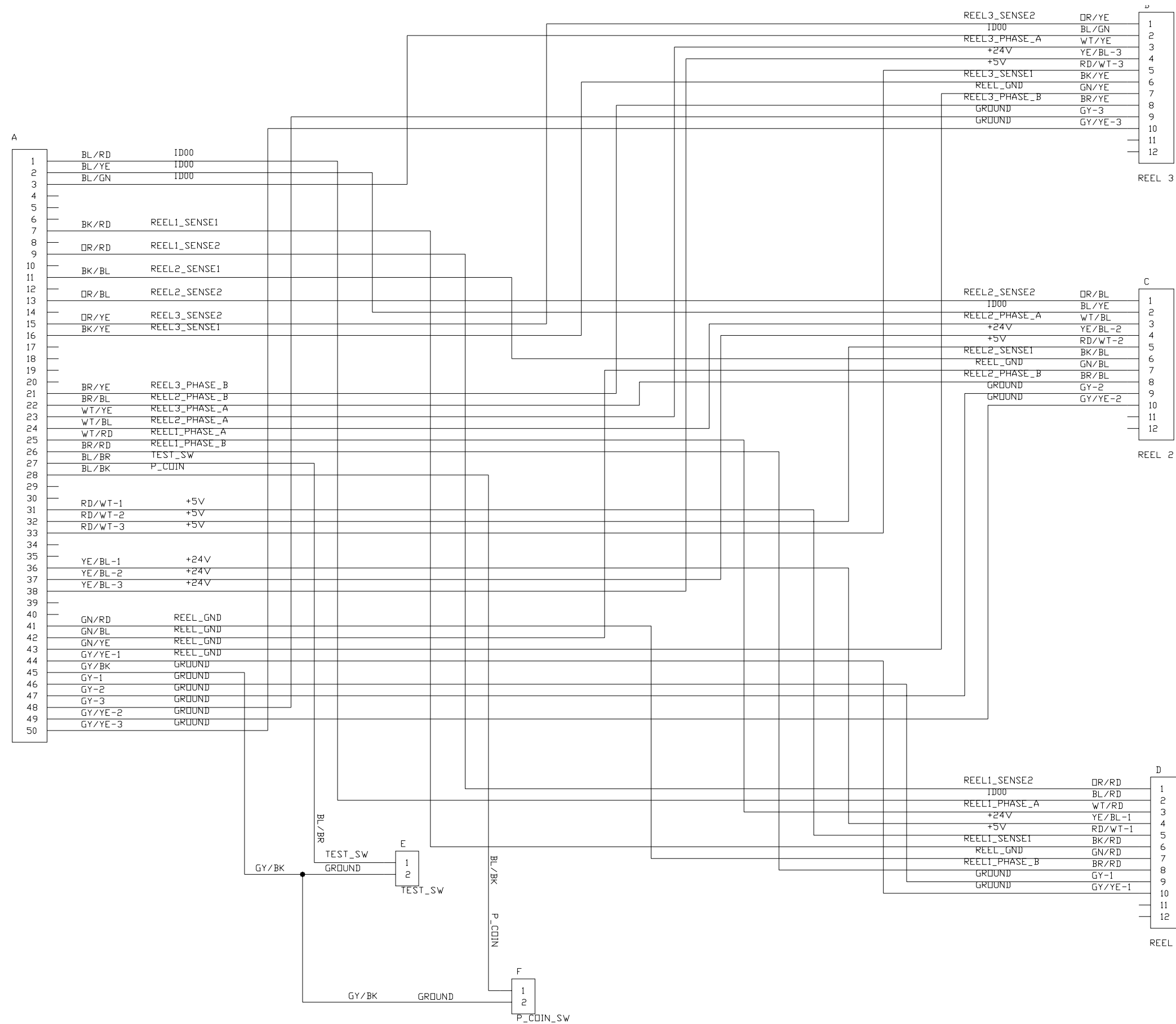
|| 3-Reel CBL-30201-0001

Upright



Reel Mechanism

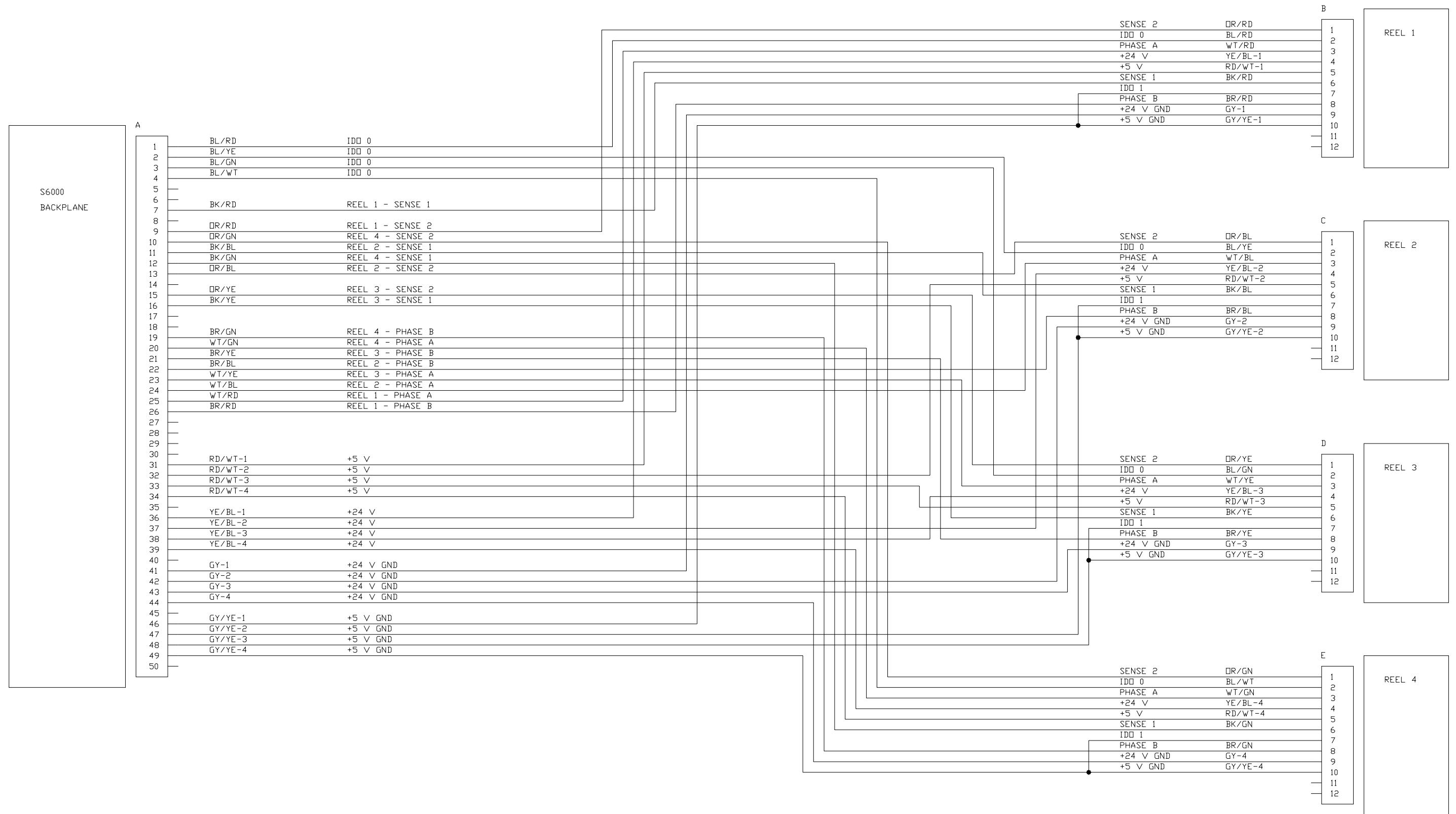
|| 3-Reel CBL-30253-0001 Slant



Reel Mechanism

|| 4-Reel CBL-30202-0001 Upright

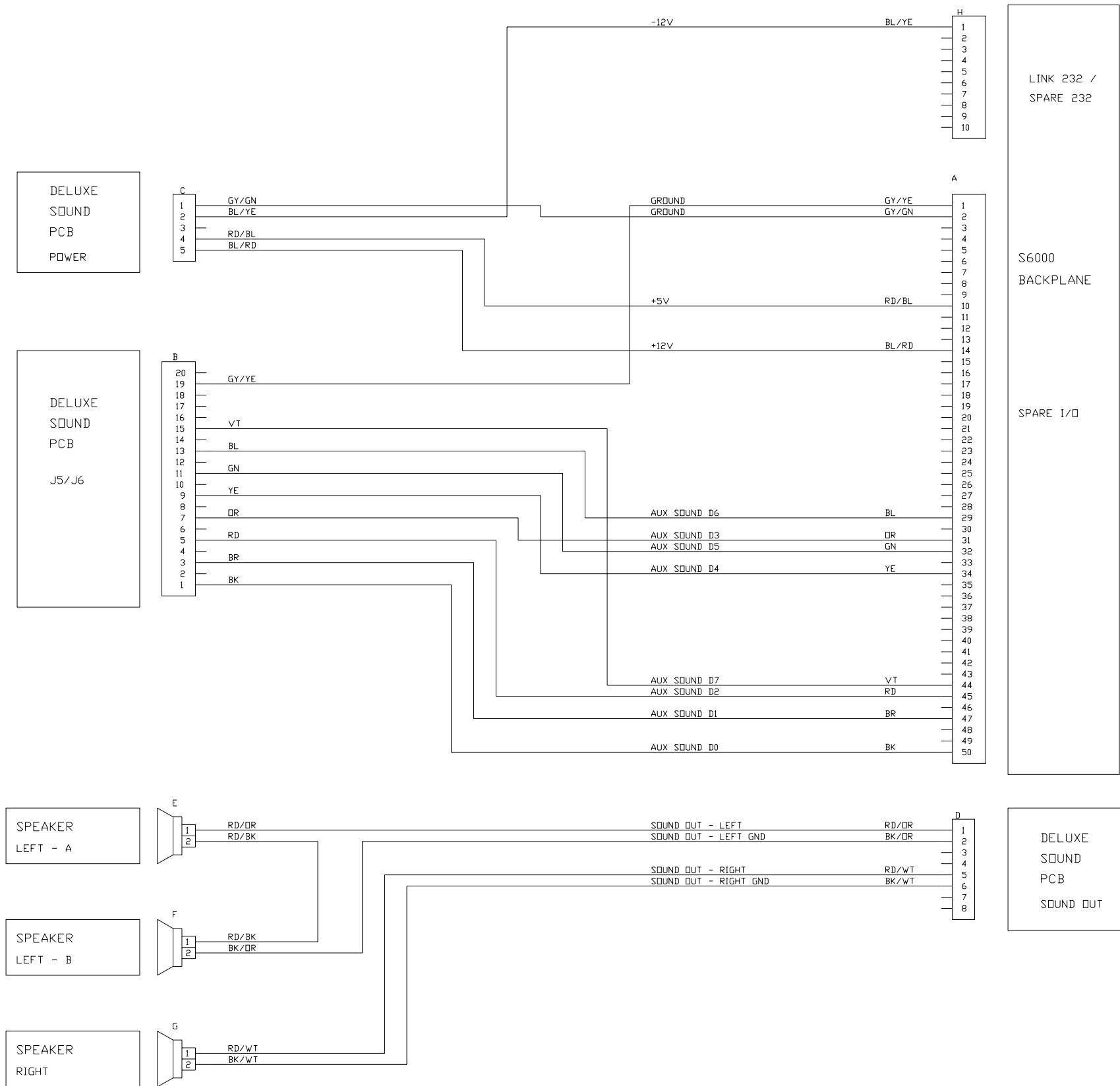
DOUBLE CRIMP LOGIC GROUND, PIN 10



Sound Board

Deluxe Pro Sound 2 CBL-30531-0001

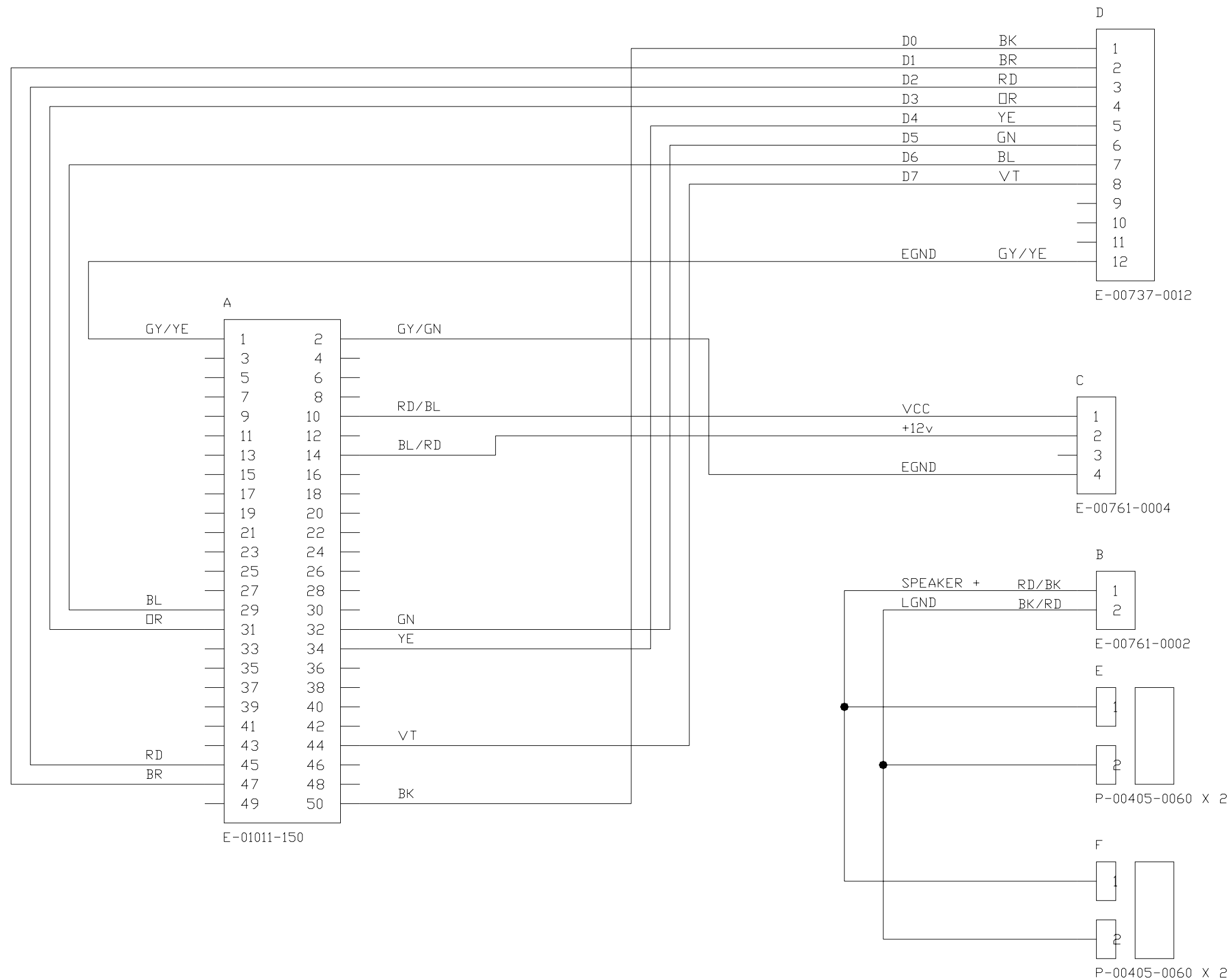
Upright / Slant



Sound Board

|| Sound Board, Feature, Round CBL-30375-0001

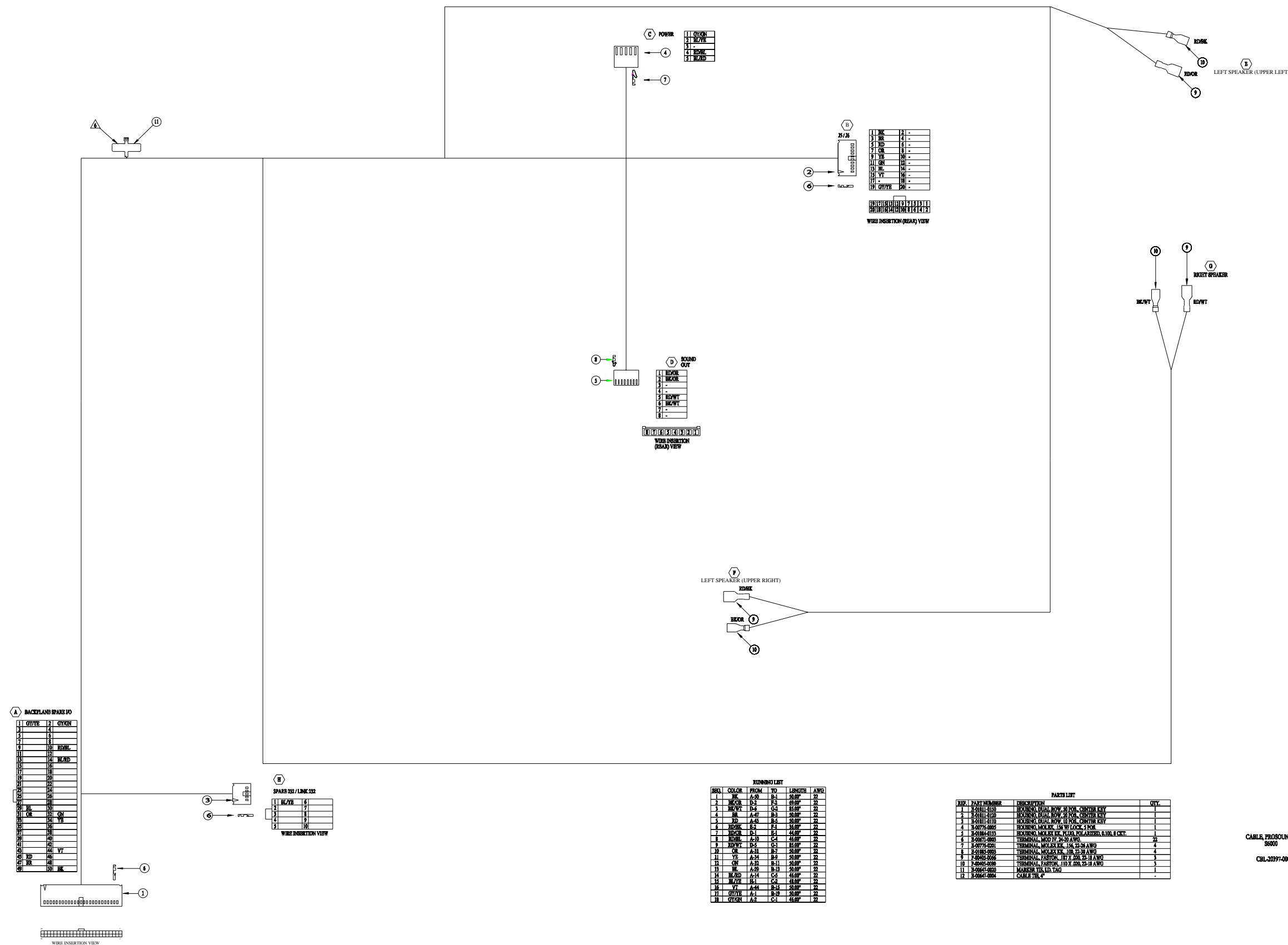
Slant



Sound Board

|| Pro Sound 2 CBL-20397-0001

☑ S6E



A) BACKPLANE SPARE I/O

1	1	CY/TE	2	CY/GR
2	2		3	
3	3		4	
4	4		5	
5	5		6	
6	6		7	
7	7		8	
8	8		9	
9	9		10	
10	10		11	
11	11		12	
12	12		13	
13	13		14	
14	14		15	
15	15		16	
16	16		17	
17	17		18	
18	18		19	
19	19		20	
20	20		21	
21	21		22	
22	22		23	
23	23		24	
24	24		25	
25	25		26	
26	26		27	
27	27		28	
28	28		29	
29	29		30	
30	30		31	
31	31		32	
32	32		33	
33	33		34	
34	34		35	
35	35		36	
36	36		37	
37	37		38	
38	38		39	
39	39		40	
40	40		41	
41	41		42	
42	42		43	
43	43		44	
44	44		45	
45	45		46	
46	46		47	
47	47		48	
48	48		49	
49	49		50	

RUNNING LIST

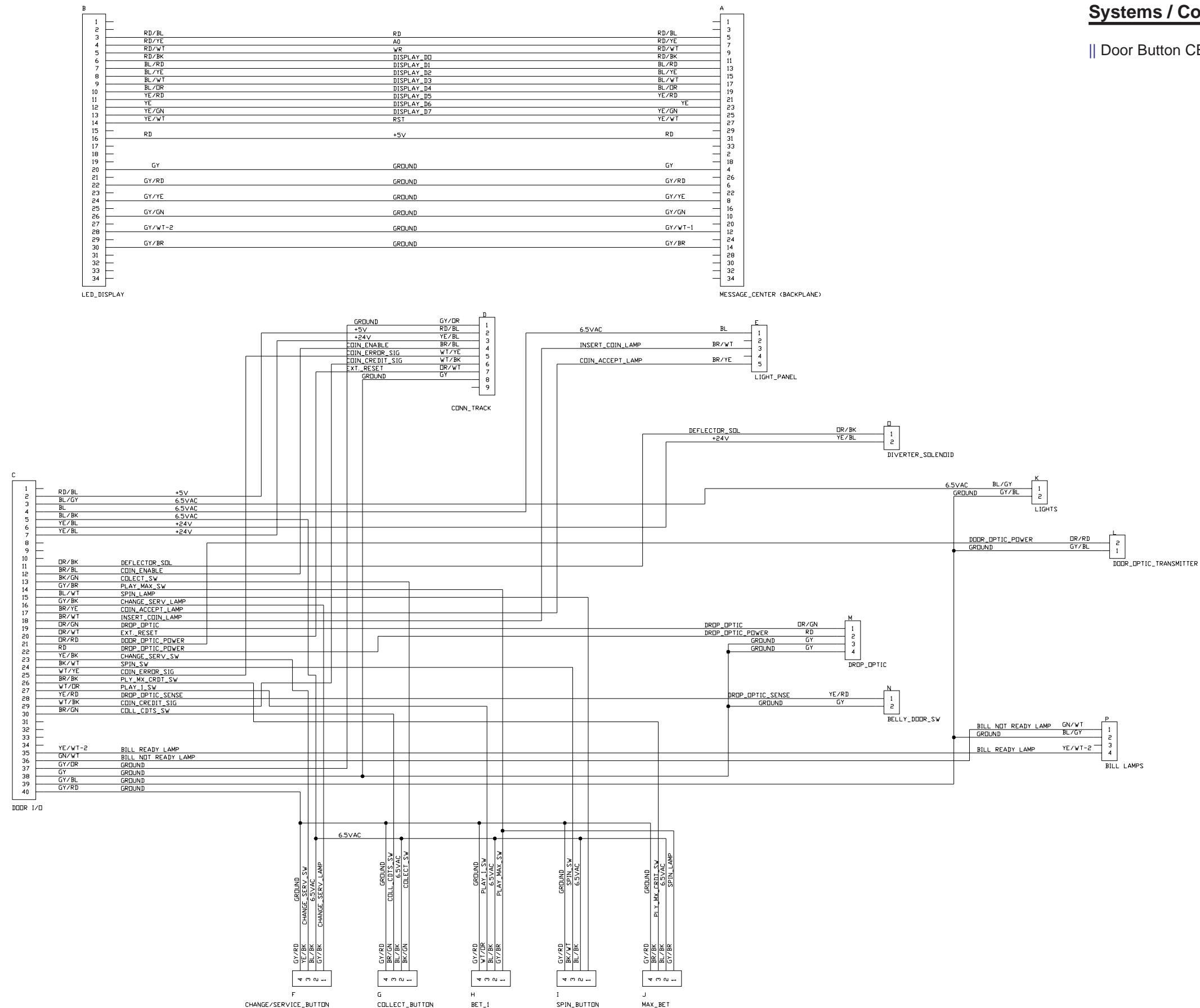
BRD	COLOR	FROM	TO	LENGTH	AWG
1	BK	A-50	B-1	50.00"	22
2	BK/GR	B-2	C-1	49.00"	22
3	BK/WT	B-4	G-2	85.00"	22
4	BL	A-47	B-3	50.00"	22
5	RD	A-45	B-5	50.00"	22
6	BK/BL	B-2	E-1	34.00"	22
7	BK/GR	B-1	E-1	44.00"	22
8	BK/BL	A-30	C-4	44.00"	22
9	BK/WT	B-5	G-1	85.00"	22
10	GR	A-31	B-2	50.00"	22
11	YE	A-24	B-5	50.00"	22
12	GR	A-32	B-1	50.00"	22
13	BL	A-29	B-3	50.00"	22
14	BL/GR	A-14	C-5	44.00"	22
15	BL/YE	B-1	C-5	44.00"	22
16	VT	A-4	B-3	50.00"	22
17	GR/YE	A-1	B-3	50.00"	22
18	GR/GR	A-2	C-1	44.00"	22

PARTS LIST

QTY	PART NUMBER	DESCRIPTION	QTY
1	P-2011-1110	ROUND, DUAL ROW, 50 POS, CENTER KEY	1
2	P-2011-1112	ROUND, DUAL ROW, 50 POS, CENTER KEY	1
3	P-2011-1113	ROUND, DUAL ROW, 50 POS, CENTER KEY	1
4	P-2075-2005	ROUND, MOL EX, 156 W/ LOCK, 5 POS	1
2	P-20164-4135	ROUND, MOL EX, 156 W/ LOCK, 5 POS, 2 CTY	1
4	P-2007-2003	TERMINAL, MOL EX, 156, 22-26 AWG	4
7	P-2075-2001	TERMINAL, MOL EX, 156, 22-26 AWG	7
4	P-20165-2005	TERMINAL, MOL EX, 100, 22-26 AWG	4
3	P-2005-2006	TERMINAL, PASTON, 110 X 20, 22-26 AWG	3
10	P-2005-2008	TERMINAL, PASTON, 110 X 20, 22-26 AWG	10
11	P-20047-0003	MARKER TIE, 10 TAG	1
12	P-20047-0004	CABLE TIE, 4"	1

CABLE, PROSOUND 2
S6000

CBL-20397-0001



Systems / Communication

|| UIB Communication CBL-30267-0001

Upright

