



## The logo for ProSlot 6000 Plus. It features a stylized graphic of horizontal lines on the left, transitioning into the word "ProSlot" in a large, bold, yellow-to-black gradient font. Below "ProSlot" are the numbers "6000" in a bold, black font with a yellow outline, and the word "Plus" in a yellow, italicized font with a black outline. A trademark symbol (™) is located to the right of "ProSlot".

## MODULE 6B

MK6B-S6MOD-0001  
SLIMLINE-S6000

Bally Gaming & Systems

For Customer Service and Information:  
+1-702-896-7772 outside the U.S.  
1-877-GO BALLY (877) 462-2559 in the U.S. and Canada  
896-7772 in Las Vegas  
FAX +1-702-896-7710  
or visit our website at <http://www.ballygaming.com>



# Module 6B

## Slimline-S6000 Table of Contents

---

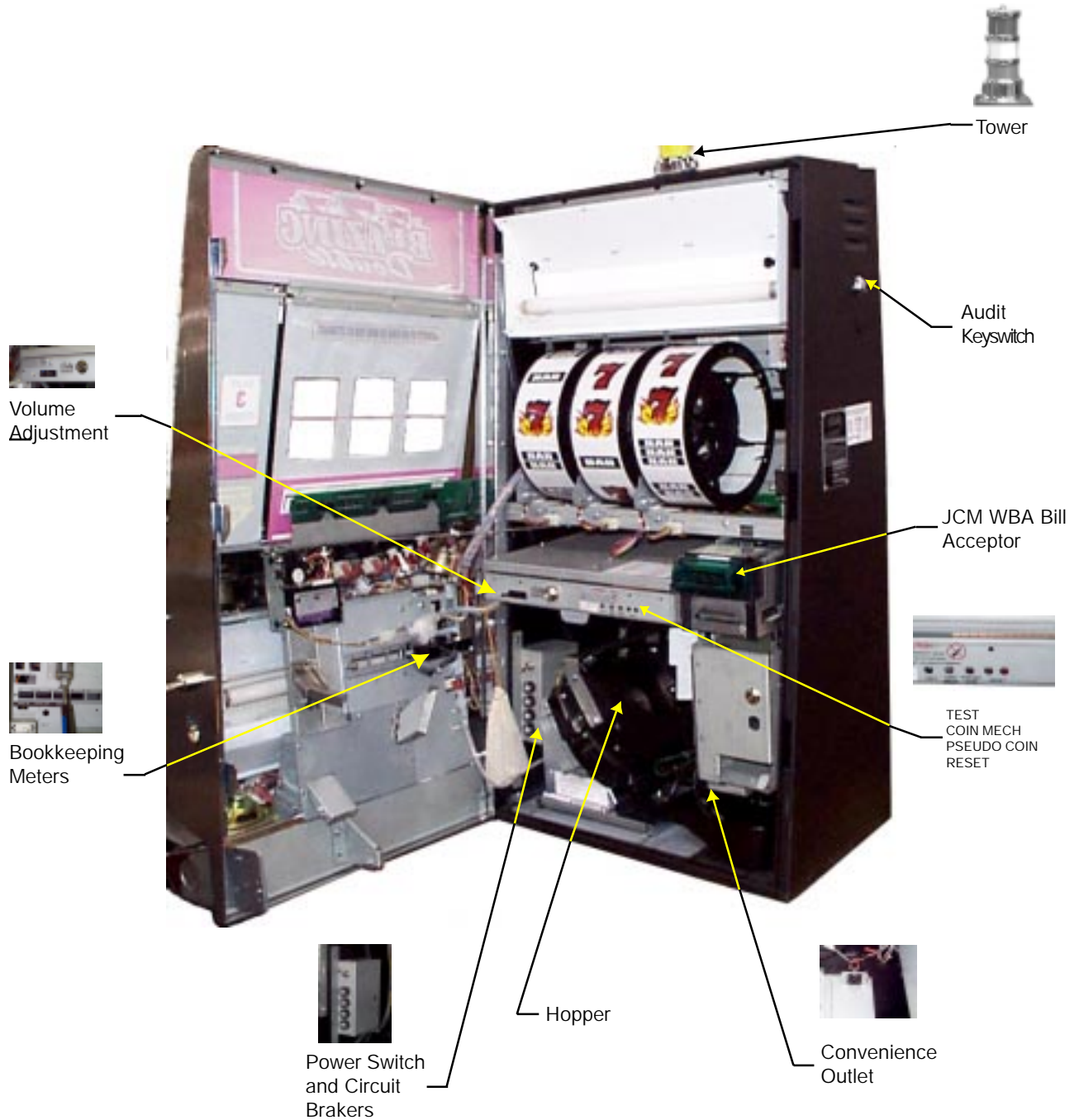
Components .....	5
Overview .....	6
Specifications .....	6
Locks and Cams .....	6
Installation .....	7
ProSlot 6000 Plus® Assemblies, Parts, and Hardware .....	8
Circuit Boards .....	8
Programmable Devices and Batteries .....	8
Illumination .....	8
Tower Lens Covers .....	8
Cables .....	8
Denomination Change Kits .....	9
Coin Acceptor Selections .....	9
Cabinet Assembly .....	10
Power Supply AS-04238-0065 .....	12
Transformer 120VAC 50/60Hz E-00122-0217 .....	12
Transformer 220VAC 50/60 Hz. E-00122-0218 .....	13
Starter/Ballast Assembly, 120VAC 60Hz. AS-03335-0403 .....	13
Starter/Ballast Assembly, 220VAC 50Hz. AS-03335-0402 .....	14
Bell & Receptacle E-00664-0466 .....	14
Card Rack Door/MPU Board AS-06605-0001 .....	15
Reel Mechanism AS-04716-0004 .....	15
Tower Selections .....	16
Door Assembly .....	18
Meter Panel Assembly AS-2900-04-352K-001 .....	18
Bill Acceptor .....	19



# Module 6

## Slimline-S6000

### Components



# Module 6

## ProSlot 6000 Plus®

### Overview

This module describes specifications, installation, configuration, and operation of ProSlot 6000 Plus® machines. Additional information is available in Module 9 Overall Wiring Diagrams.

### Specifications

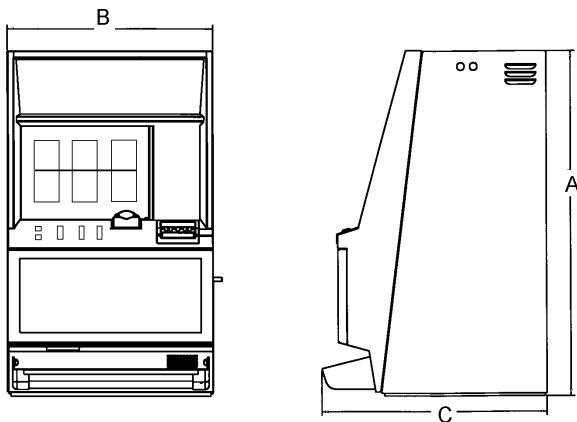
Electrical Specifications				
Line Voltage	100/240 VAC 50/60 Hz			
Power Supply Output	+5, +12, -12, +24 VDC			
Machine State	Idle	Play	Payout	Maximum Theoretical Draw
Current @ 110VAC	1.1 Amp	1.2 Amp	1.7 Amp	2.35 Amp
Current @ 220VAC	.55 Amp	.6 Amp	.85 Amp	1.18 Amp
Power	121W	132W	187W	259W

### Ambient Temperature:

Max: 100° F (38° C) Min: 40° F (4° C)

Maximum Relative Humidity: 90%

Average Heat From Machine: 500 BTU/Hr.



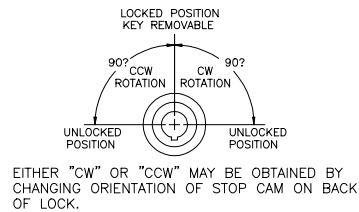
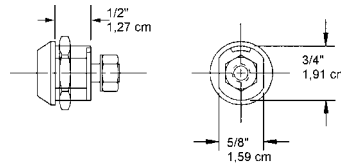
Dimensions and Weight			
A	Height	37"	93.98 cm
B	Width	20 1/2"	52.07 cm
C	Depth	18"	45.72 cm
Weight		219 lb	99.34 Kg

### Locks and Cams

Keyswitches and MPU locks have been installed at the factory. Cams are provided for the other locks that the Operator must purchase.

All lock openings are  $5/8"$  (1.59cm) by  $3/4"$  (1.91cm). The locks are 90 degree rotation. The keys should be removable only in the locked position.

Locks  $1 1/8"$  (2.86cm) long can be used with spacers to maintain the  $1/2"$  (1.27cm) lock length.



### Slimline-S6000 2<sup>nd</sup> Keyswitch and Shipping Locks

Part #	Description	Where Used
304-0037	Switch, Locking reset, 1-1/8" #6120	Audit Keyswitch
04-60010	Shipping Lock	Stand

### Slimline-S6000 Lock Requirements

Location	Hardware
Main Door	Lock Cam 7000-13-032
Belly Door	Lock cam 6600-17-068 PI
Bill Acceptor Security Door	Lock cam 6600-17-0049
Bill Acceptor Stacker	Two cams provided by JCM: #0943PT0504
MPU Door (Factory Installed)	Lock M-00281-162A, Key 52593 Cam P-00758-0094
Audit Keyswitch (Factory Installed)	304-0037
Data Tracking System (Factory Installed)	Lock M-00281-162A, Key 52593 Cam P-06434-0007
Top Box (Factory Installed)	Lock M-00281-162A, Key 52593 Cam 6000-19-260
Slot Stand	Lock Cam 04-60010

## Installation

Please refer to the current Module 2, Set Up and Operation for installation procedures. A SafeRAM™ Clear is essential before the first use, when Main program EPROMs are replaced, or if game memory becomes corrupted.



Note: SafeRAM™ Clear Eproms S6S1000CLE04-03 may be required.



Warning: To avoid injury from toppling machines, mount only to Bally Gaming and Systems stand #6000-18-061-0001.



# SlimLine-S6000 Assemblies, Parts, and Hardware

## SlimLine-S6000 Circuit Boards

SlimLine-S6000 Circuit Boards	
Part #	Description
AS-03356-0424	MPU Board Assembly
AS-03356-0439	MPU Board Assembly, (with Smart Sockets)
AS-03356-0445	Backplane Board Assembly
AS-03356-0431	Bill Acceptor LED Board, JCM WBA
AS-205101	4-Pole Lockout PCB Assembly
AS-03356-0427	Door Optic Emitter Board
AS-03356-0428	Door Optic Detector Board
AS-03356-0362	Deluxe Sound Board Assembly
AS-03356-0368	Hopper Control Board, FET, Dual Optic
AS-03356-0426	Display Board

## SlimLine-S6000 Tower Lens Covers

Tower Lens Covers				
Color	Tower Lens Cover, Small		Tower Lens Cover, Large	
	Top Part #	Bottom Part #	Top Part #	Bottom Part #
White	M-02100-0301	M-02100-0401	M-02100-0101	M-02100-0201
Red	M-02100-0302	M-02100-0402	M-02100-0102	M-02100-0202
Blue	M-02100-0303	M-02100-0403	M-02100-0103	M-02100-0203
Yellow	M-02100-0304	M-02100-0404	M-02100-0104	M-02100-0204
Green	M-02100-0305	M-02100-0405	M-02100-0105	M-02100-0205
Coral	M-02100-0306	M-02100-0406	M-02100-0106	M-02100-0206
Purple	M-02100-0307	M-02100-0407	M-02100-0107	M-02100-0207
Orange	M-02100-0308	M-02100-0408	M-02100-0108	M-02100-0208
Blue	M-02100-0309	M-02100-0409	M-02100-0109	M-02100-0209
Teal	M-02100-0310	M-02100-0410	M-02100-0110	M-02100-0210
Powder Blue	M-02100-0311	M-02100-0411	M-02100-0111	M-02100-0211
Pink	M-02100-0312	M-02100-0412	M-02100-0112	M-02100-0212
Amber	M-02100-0313	M-02100-0413	M-02100-0113	M-02100-0213

## SlimLine-S6000 Programmable Devices and Batteries

SlimLine-S6000 Programmable Devices and Batteries		
Part #	Description	Where Used
E-00867-0037	(Blank) EPROM, IC, 1MEG, 128K X 8, 80NS	JCM WBA Bill Acceptor
E-00867-0035	(Blank) EPROM, IC, 256K, 32K X 8, 120NS	Personality (U18, U20)
E-00867-0039	(Blank) EPROM, IC, 2MEG, 256K X 8, 120NS	Main (U28, U43)
E-00867-0042	(Blank) EPROM, CMOS, (512K) 64K X 8	Personality (P1-P10)
E-00867-0046	(Blank) EPROM, IC, 8MEG, 1M X 8, 120NS	AS-03356-0362 Deluxe Sound Board
S6S1000CLEO403	ProSlot 6000 Plus® SafeRAM™ Clear	U28, U43
E-01056-0018	Programmed Controller, 16F84, FET-003	AS-03356-0368 Hopper Control Board
E-00628-0023	Battery, Lithium (3.6V @ 1800MAH)	B1
E-00882	Jumper	JWxx
E-00620-0673	IC, Dallas Smart Socket DS1213D	U30, U45

## SlimLine-S6000 Cables

SlimLine-S6000 Cables	
Part #	Description
CBL-30201-0001	3 Reel, 501-0214
CBL-20214-0001	Bill Acceptor Door, 501-0212
CBL-30456-0001	Cabinet Power, 501-0203
CBL-30234-0002	Cabinet Signals, 501-0202
CBL-20295-0001	Coin Acceptor Interface, MC-16
CBL-30347-0001	Deluxe Sound
CBL-30468-0001	Door Button, 501-0204
CBL-30227-0002	Hopper, 501-0206 Rev A
CBL-20227-0001	Knock-Down
CBL-20189-0001	Reel Control Board
E-00537-7623	Super Hopper
CBL-20234-0001	System Interface
CBL-20300-0001	Top Box Power
CBL-20095-0001	Tower Extension
CBL-30235-0001	WBA-10/20, 501-0213
CBL-30100-0001	XS1200 Super/Standard Hopper

## SlimLine-S6000 Illumination

SlimLine-S6000 Illumination	
Part #	Description
E-00412-0013	Lamp, Fluorescent, F15T8/CW
E-00412-0014	Lamp, Fluorescent, F14T8/CW
E-00411-0007	Fluorescent Starter FS-5
E-00411-0010	Fluorescent Starter FS-2 CE97
E-00125-0005	Lamp, #55 (6-8V .4A Tower)
E-00125-0084	Lamp, #86, 6.3V, T1-3/4, Wedge Base (Insert Coin)
E-00125-0095	Lamp, #86, 6.3V Incandescent (Button Lamp)
E-00125-0096	Lamp, #555, 6.3V, Wedge Base, (SPIN, BET MAX)
E-00125-0099	Lamp, #74, 4.14V, T1-3/4, Wedge Base (Denomination)
E-00120-0264	Socket, Lamp, Wedge Base, T-1 3/4




**WARNING:** Attempting to re-charge Lithium batteries can cause them to explode. Replace failed batteries with Bally Gaming part E-00628-0023 or its equivalent.



## Denomination Change Kits for SlimLine-S6000

Parts needed to change the coin denomination accepted by the SlimLine-S6000 are available in kits. Each kit contains the necessary coin entry and hopper parts. Refer to the following matrix for part numbers:

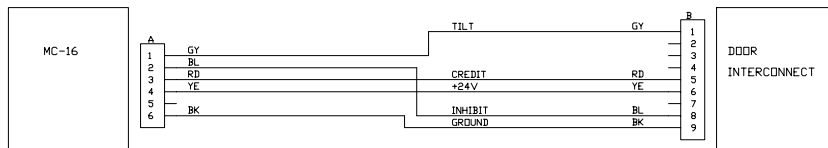


Note: Parts indicated as  "Express" are in stock and available for shipment within 24 hours after receiving an order.

## Coin Acceptor Selections

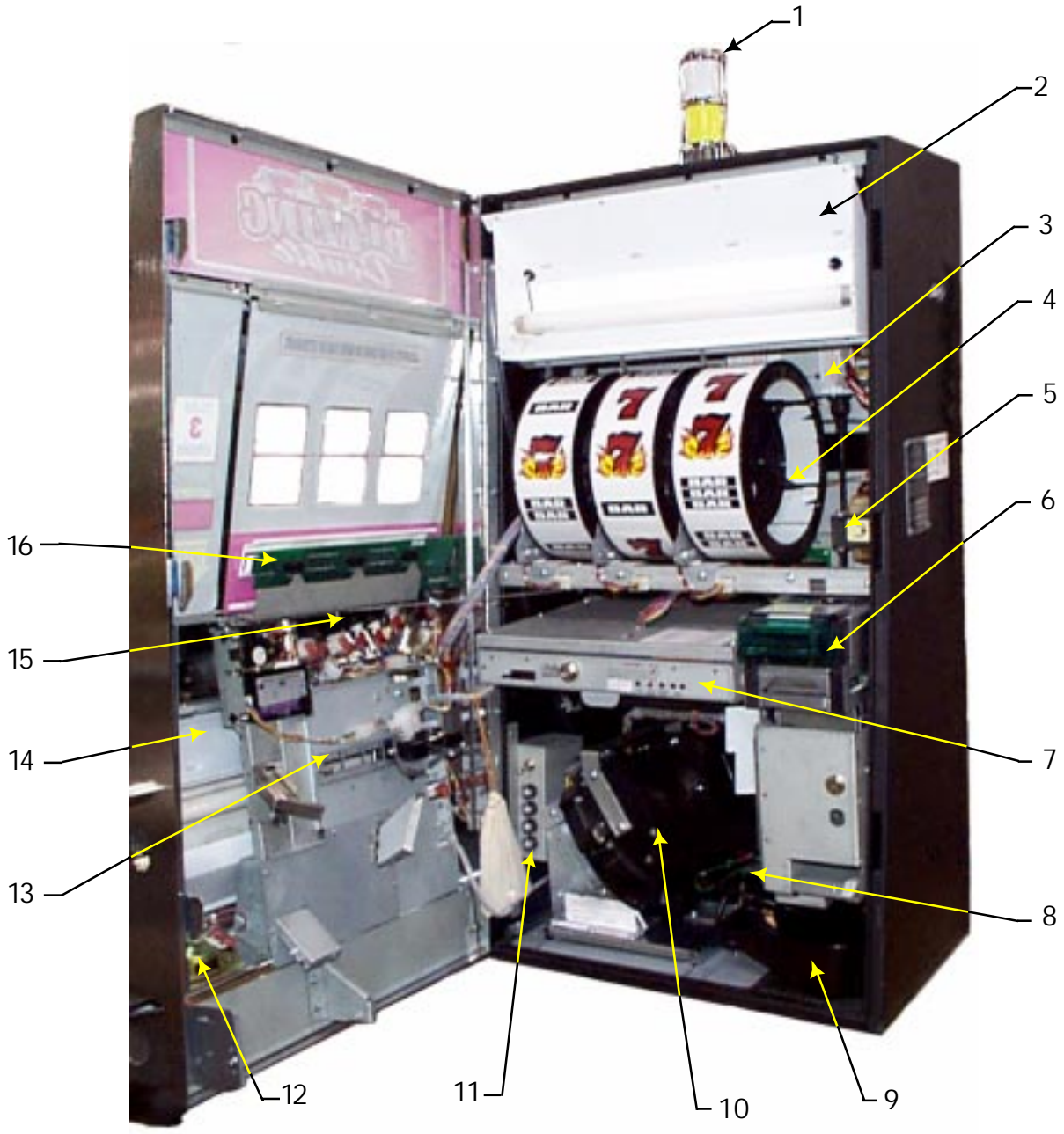
### Coin Mechanisms, Inc. MC-16

BALLY PART NO.	Coin Mechanisms PART NO.	DAMPER WEIGHT	DEMONINATION	PART DESCRIPTION
E-00887-5001	66460151	.7 gram	1c PENNY	MC-160E,24VDC,INH HI,PR15, 0.7G 6 PIN Penny
E-00887-5002	66460152	2.6 gram	5c NICKEL	MC-160E,24VDC,INH HI,PR15, 2.6G 6 PIN
E-00887-5003	66460153	.7 gram	10c DIME	MC-160E,24VDC,INH HI,PR15, 0.7G 6 PIN
E-00887-5004	66460069	6.0 gram	25c QUARTER	MC-160E,24VDC,INH HI,PR15, 6.0G 6 PIN
E-00887-5005	66460154	14.2 gram	50c & DOLLAR TOKEN	MC-160E,24VDC,INH HI,PR15,14.2G 6 PIN
E-00887-5006	66460155	14.2 gram	\$5 WIDE BODY 1 PIECE TOKEN	MC-160EWB,24VDC,INH HI,PR15,14.2G 6 PIN
E-00887-5007	66460156	14.2 gram	\$5 WIDE BODY BI-METAL TOKEN	MC-160EWB,24VDC,INH HI,PR15,14.2G 6 PIN DEEPSEAT



# ProSlot 6000 Plus® Parts and Assemblies

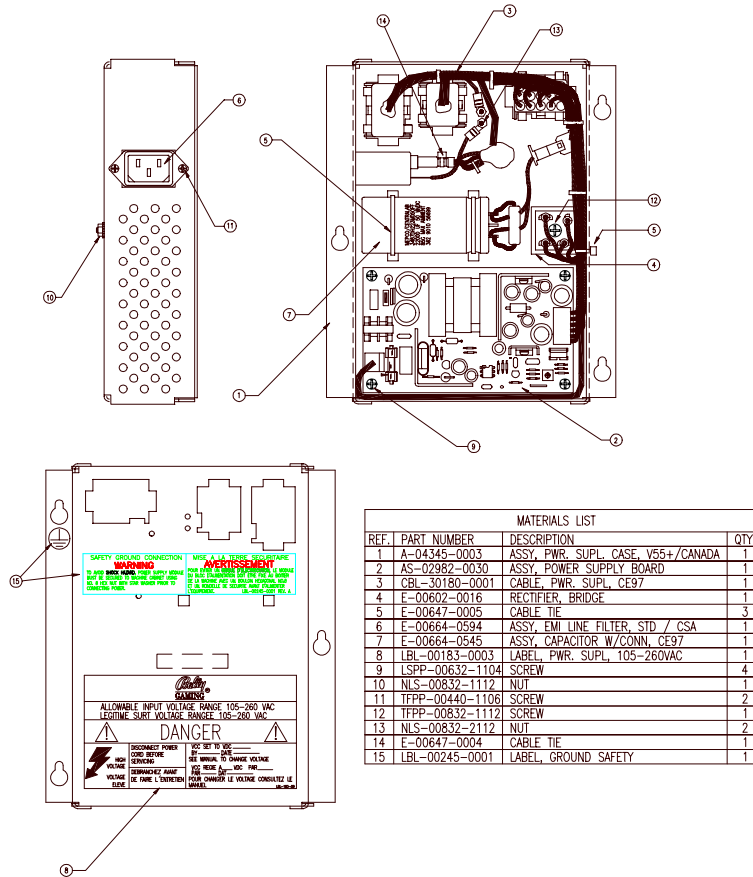
## Cabinet Assembly



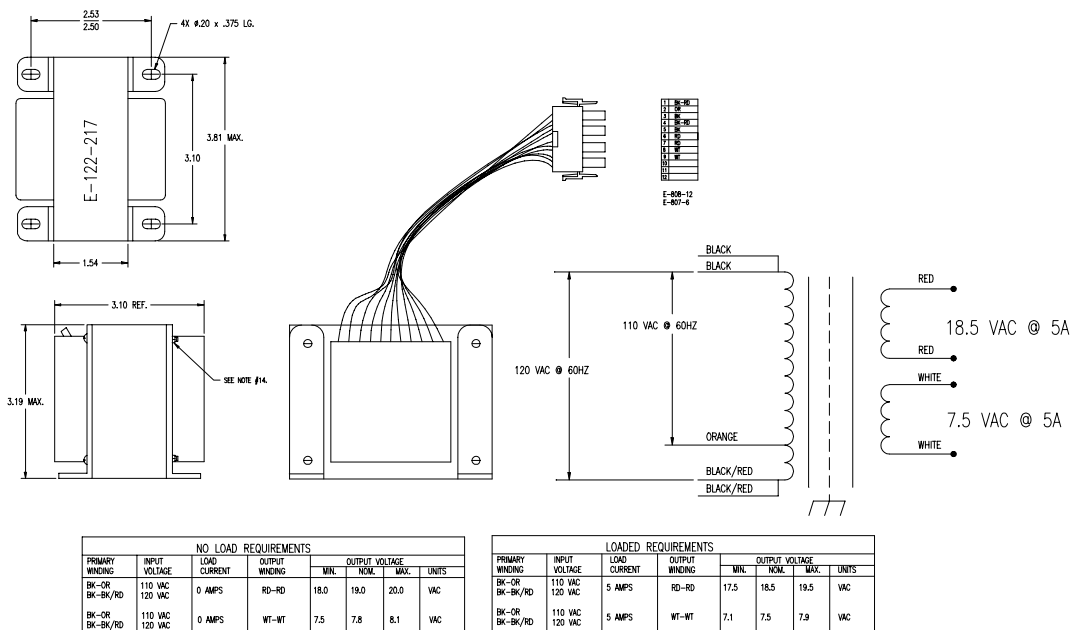


ProSlot 6000 Plus® Cabinet Assembly		
Item	Part #	Description
1	TWR (series)	Tower See page
2	AS-5000-18-107K-001	Upper Light Assembly
3	AS-04238-0065	PDU Standard (Power Supply) See page
4	AS-04716-0004	Reel Mechanism, 3 Wide Reels
5	E-00122-0217	Transformer, 120VAC 50/60 Hz. See page
	E-00122-0234	Transformer, 220VAC 50/60 Hz. See page
6	E-01100-(series)	JCM Bill Acceptor
7	AS-06605-0001	Card Rack Door/MPU Board
8	AS-03268-0003	Convenience Outlet, IT
	AS-03268-0004	Convenience Outlet, US
	AS-03268-0008	Convenience Outlet, UK
	E-00664-447A	Convenience Outlet, EUROPE
9	6100-16-050	Cup, Drop Chute
10	AS.6000-18-027K-001	S/L Hopper Assembly
11	AS-6000-18-118K-001	Fuse Box Assembly
12	E-00281-0019	Speaker, 3X5 Oval, Quam
13	AS-2900-04-352K-001	Meter Panel Assembly
14	AS-2900-04-104K-001	Belly Light Assembly
15	5000-18-028	5 Hole Button Panel, Chrome
16	707-0030	Display Board
Not Shown	E-00126-0120	Line Cord, Modular, 8ft. (Italy)
	E-00126-0121	Line Cord, Modular, 8ft. Domestic
	E-00126-0122	Line Cord, Modular 2.5 meters, Europe
	E-00126-0123	Line Cord, Modular, 8.167 ft. (UK)
	E-00126-0132	Cord Set, Nema 6-15p, 8ft. Domestic
	E-00126-0143	Cord Set, Modular (AS)
	E-00126-0157	Cord Set, 8.2ft., BS546/IEC320 (South Africa)
	E-00126-0167	Line Cord, IRAM 2073, 8Ft. (AM,AR)
	AS-03335-0403	Starter/Ballast Assembly, 120VAC 50/60 Hz. See page 6-14
	AS-03335-0402	Starter/Ballast Assembly, 220VAC 50/60 Hz. See page 6-15
E-00664-0466	Bell and Receptacle See page 6-14	

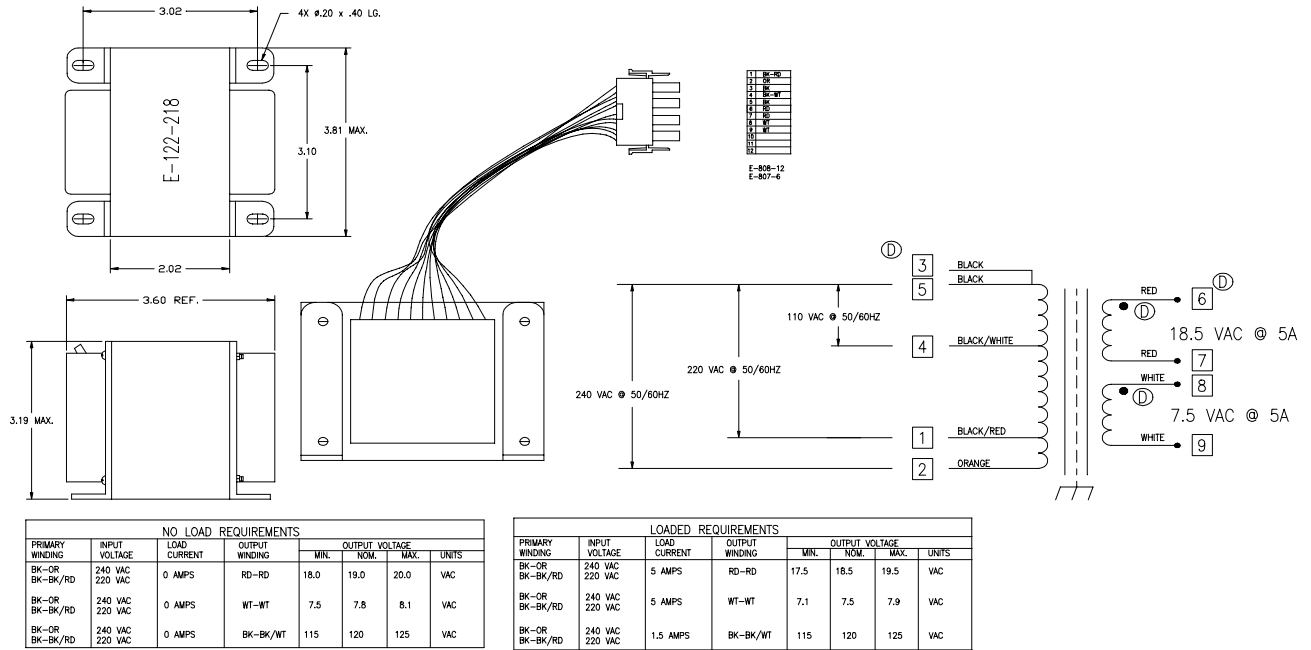
# Power Supply AS-04238-0065



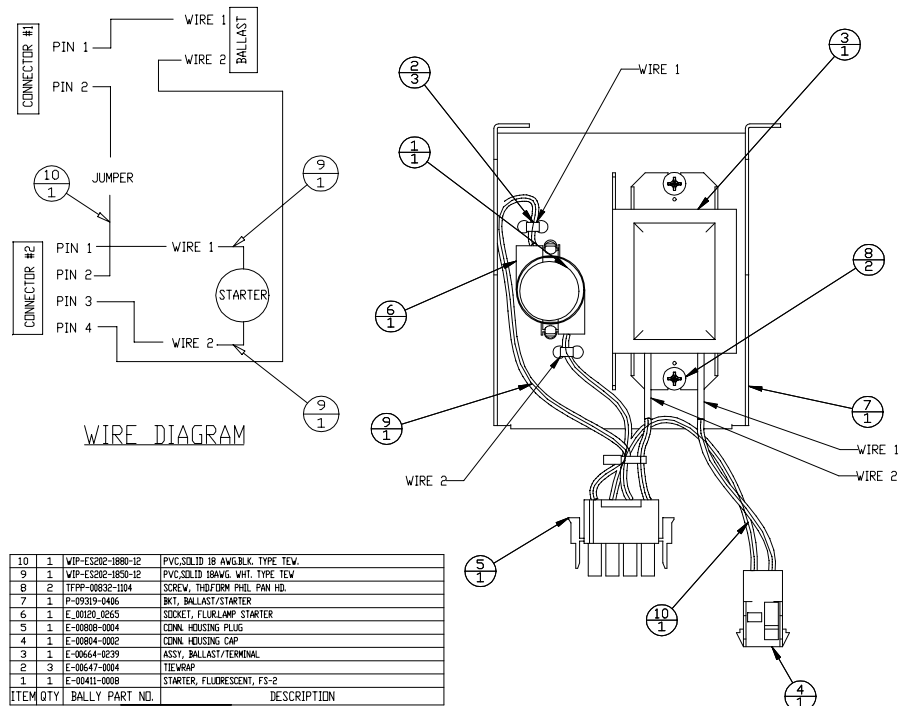
# Transformer, 120VAC 50/60 Hz. E-00122-0217



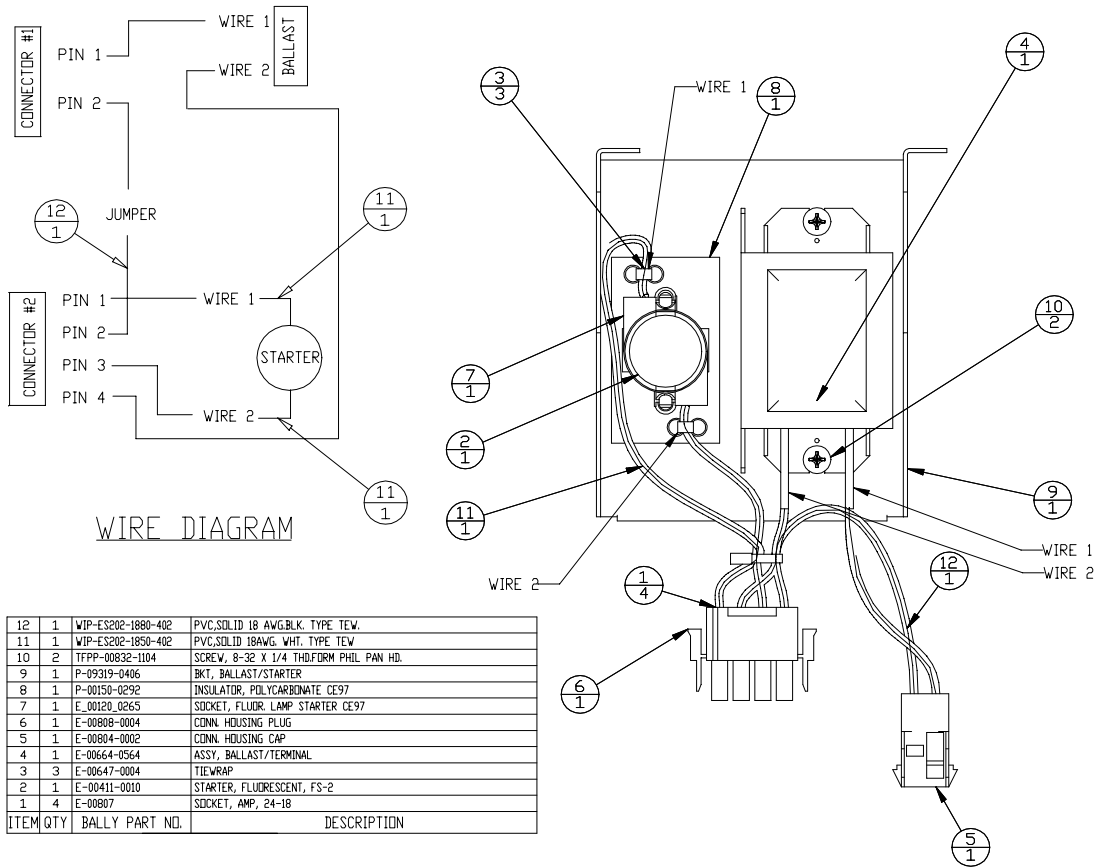
Transformer, 220VAC 50/60 Hz.  
E-00122-0218



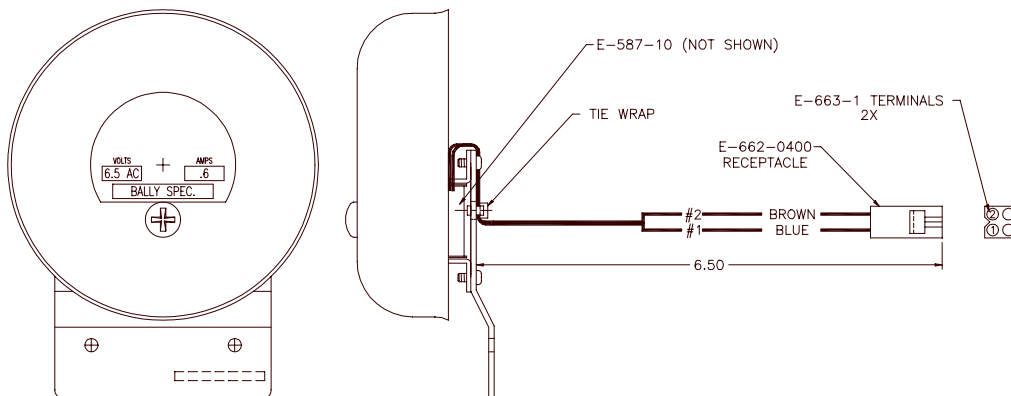
Starter/Ballast Assembly, 120VAC 60 Hz.  
AS-03335-0403



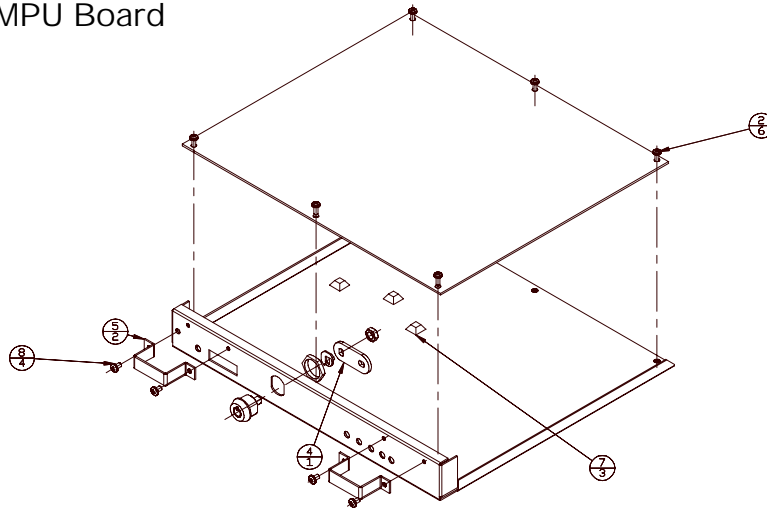
Starter/Ballast Assembly, 220VAC 50 Hz.  
AS-03335-0402



Bell & Receptacle  
E-00664-0466

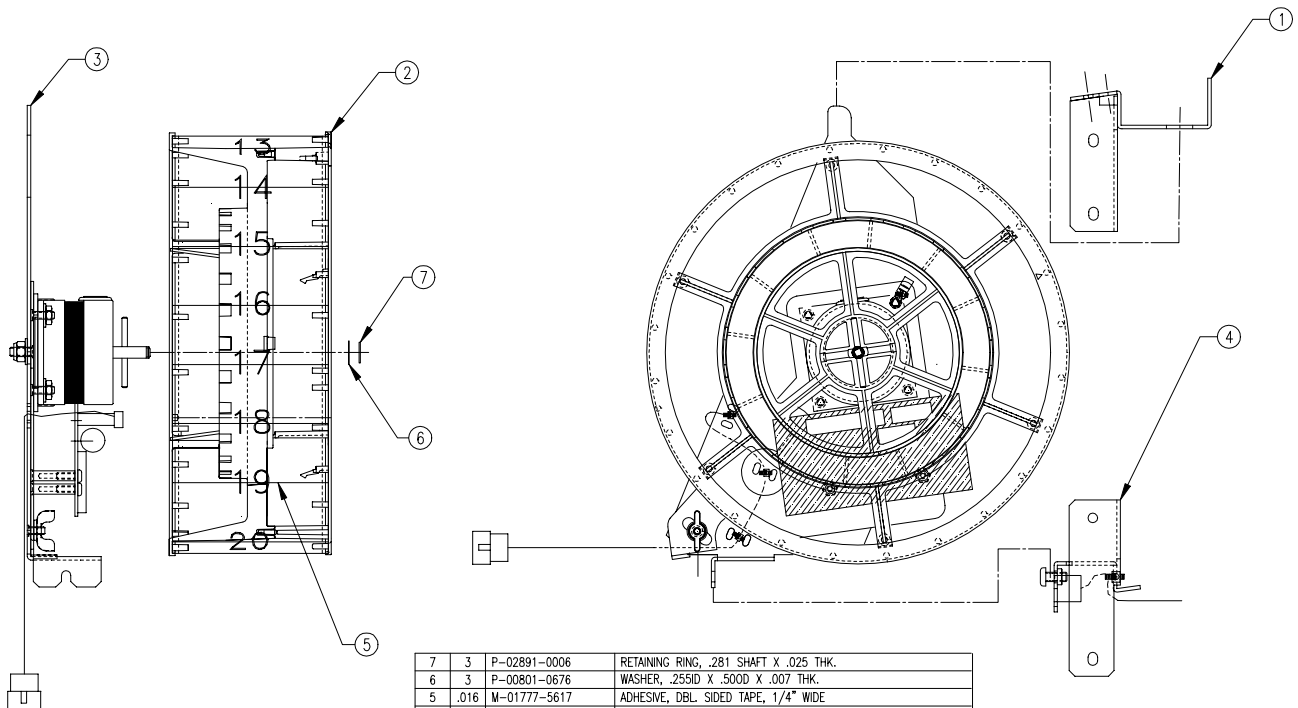


Card Rack Door/MPU Board  
AS-06605-0001



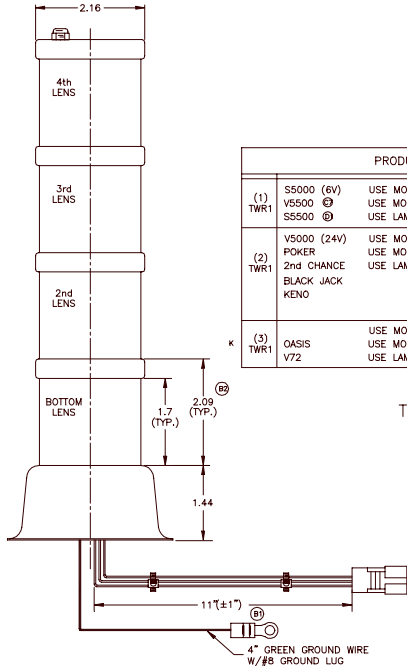
8	4	TFPP-00832-1104	SCREW, 8-32 X 1/4 THD FORM PHIL PAN HD.
7	3	R-00409	BUMPER
6	1	P-06892-0001	TRAY, MPU BD.
5	2	P-06254-0332	HANDLE, CARD BACK DOOR
4	1	P-00758-0094	CAM, BILLAC, STACKER, M0281-132
3	1	M-00281-162A	LOCK, NO CAM, DOOR/BILLACC.
2	6	LSP-00632-1106	SCREW, MACH W/LOCK PHIL PAN HD.
1	1	AS-02356-0424	ASSEMBLY, MPU BD.
ITEM QTY	BALLY PART NO.		DESCRIPTION

Reel Mechanism  
AS-04716-0004



7	3	P-02891-0006	RETAINING RING, .281 SHAFT X .025 THK.
6	3	P-00801-0676	WASHER, .255ID X .500D X .007 THK.
5	.016	M-01777-5617	ADHESIVE, DBL SIDED TAPE, 1/4" WIDE
4	1	AS-04703-0003	ASSEMBLY, 3W RL SUPPORT LWR
3	3	AS-04235-0009	ASSEMBLY, REEL DRIVE 9"
2	3	AS-04234-0004	ASSEMBLY, REEL 9"
1	1	A-04703-0006	BRACKET, 3W RL SUPPORT, UPR
ITEM QTY	PART NUMBER		DESCRIPTION

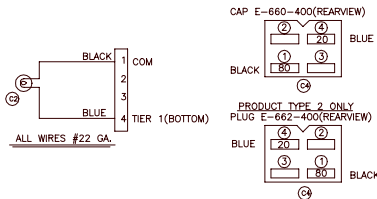
# Tower Selections



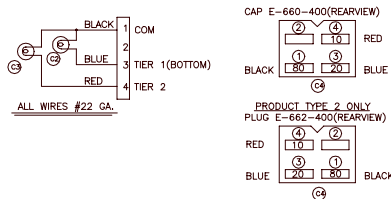
	PRODUCT TYPE	BALLY PART #	MTG. BASE	FINISH	LENS COLOR
(1) TWR1	S5000 (6V) USE MOLEX CAP NO. 03-09-2049	E-660-400	0-NO BASE	1-CHROME	0-NO LENS
	V5500 Ⓜ USE MOLEX PIN NO. 02-09-2101	E-661-1Ⓜ	FLAT TOP	2-BRASS	1-WHITE
	S5500 Ⓜ USE LAMP NO.55 (6-8V) 0.4 AMP				2-RED
(2) TWR1	V5000 (24V) USE MOLEX PLUG NO. 03-09-1049	E-662-400	1-WITH BASE		3-BLUE
	POKER USE MOLEX PIN NO. 02-09-1102	E-663-1Ⓜ	ANGLED TOP		4-YELLOW
	2nd CHANCE BLACK JACK KENO				5-GREEN
(3) TWR1	OASIS USE MOLEX CAP NO. 03-09-2049	E-660-400	*-ROUND TOP		6-CORAL
	V72 USE MOLEX PIN NO. 02-09-2101	E-661-1	SEE CAB. ASSY		7-PURPLE
					8-ORANGE
					9-SAPPHIRE BLUE #383Ⓜ

TWR1-01213-6470

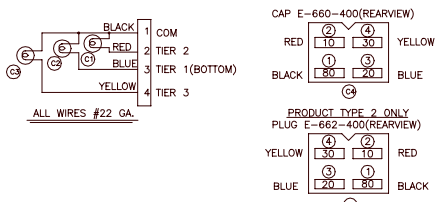
- 4t LENS COLOR UP (SEE CHART) Ⓜ
- 3d LENS COLOR UP (SEE CHART)
- 2d LENS COLOR UP (SEE CHART)
- BOTTOM LENS COLOR (SEE CHART)
- NO.OF TIERS
- FINISH (SEE CHART)
- MOUNTING BASE (SEE CHART)
- PRODUCT TYPE (SEE CHART)



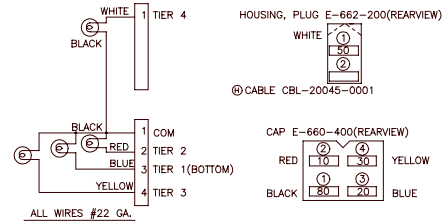
1-TIER TOWER Ⓜ



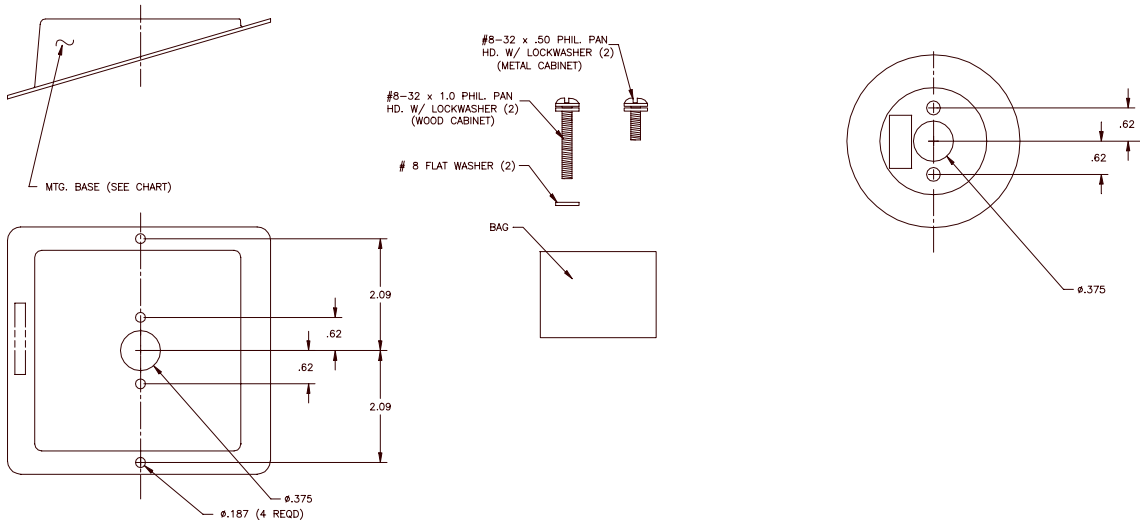
2-TIER TOWER Ⓜ



3-TIER TOWER Ⓜ

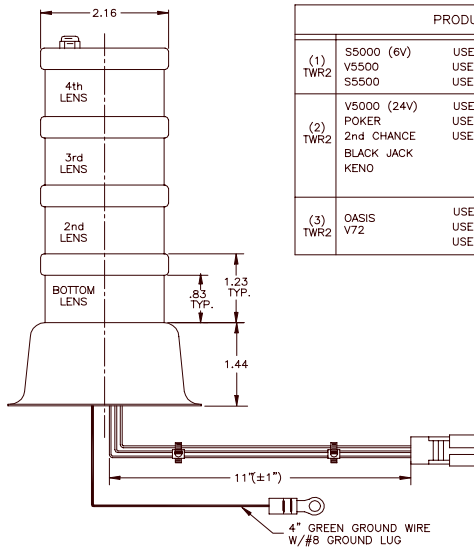


4-TIER TOWER





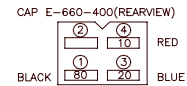
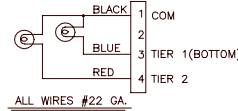
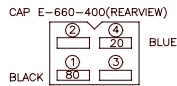
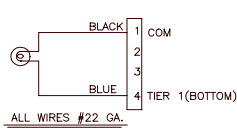
# Tower Selections (cont.)



	PRODUCT TYPE		BALLY PART #	MTG. BASE	FINISH	LENS COLOR
(1) TWR2	S5000 (6V)	USE MOLEX CAP NO. 03-09-2049	E-660-400	0-NO BASE FLAT TOP	1-CHROME 2-BRASS	0-NO LENS 1-WHITE 2-RED 3-BLUE 4-YELLOW 5-GREEN 6-ORANGE (CORAL) ⊕ 7-PURPLE 8-ORANGE (OBSOLETE SEE -6) ⊕ 9-SAPPHIRE BLUE #383 ⊕⊕
	V5500	USE MOLEX PIN NO. 02-09-2101	E-661-1			
	S5500	USE LAMP NO.55 (6-8V) 0.4 AMP				
(2) TWR2	V5000 (24V)	USE MOLEX PLUG NO. 03-09-1049	E-662-400	1-WITH BASE ANGLED TOP	* -ROUND TOP SEE CAB. ASSY	
	POKER	USE MOLEX PIN NO. 02-09-1102	E-663-1			
	2nd CHANCE BLACK JACK KENO	USE LAMP NO. 313(28V) .17 AMP				
(3) TWR2	OASIS V72	USE MOLEX CAP NO. 03-09-2049 USE MOLEX PIN NO. 02-09-2101 USE LAMP NO.57 (14V) OR EQUIV.	E-660-400 E-661-1			

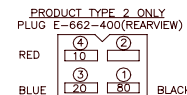
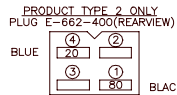
TWR2-01213-6470

- 4t LENS COLOR UP (SEE CHART)
- 3d LENS COLOR UP (SEE CHART)
- 2d LENS COLOR UP (SEE CHART)
- BOTTOM LENS COLOR (SEE CHART)
- NO.OF TIERS
- FINISH (SEE CHART)
- MOUNTING BASE (SEE CHART)
- PRODUCT TYPE (SEE CHART)



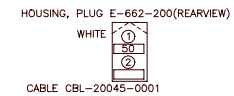
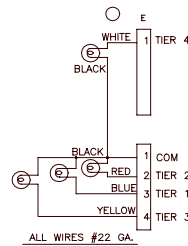
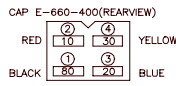
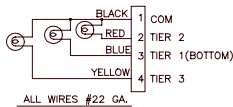
ALL WIRES #22 GA.

ALL WIRES #22 GA.



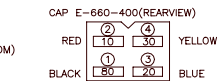
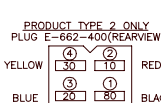
## 1-TIER TOWER

## 2-TIER TOWER



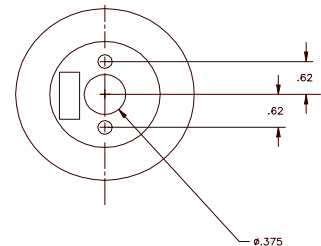
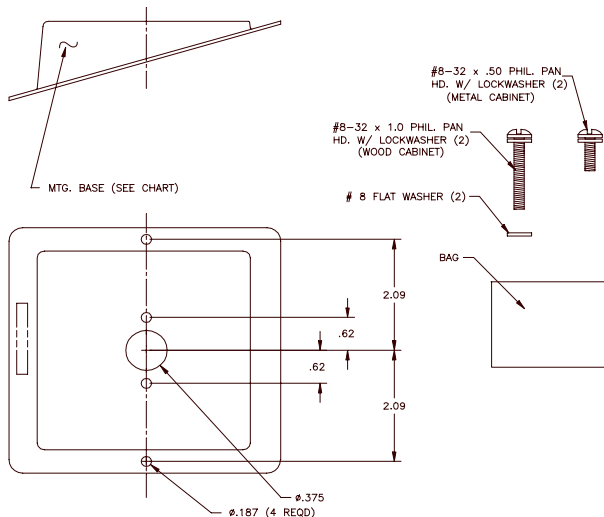
ALL WIRES #22 GA.

ALL WIRES #22 GA.

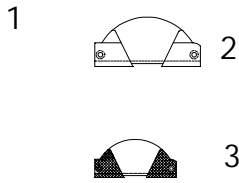
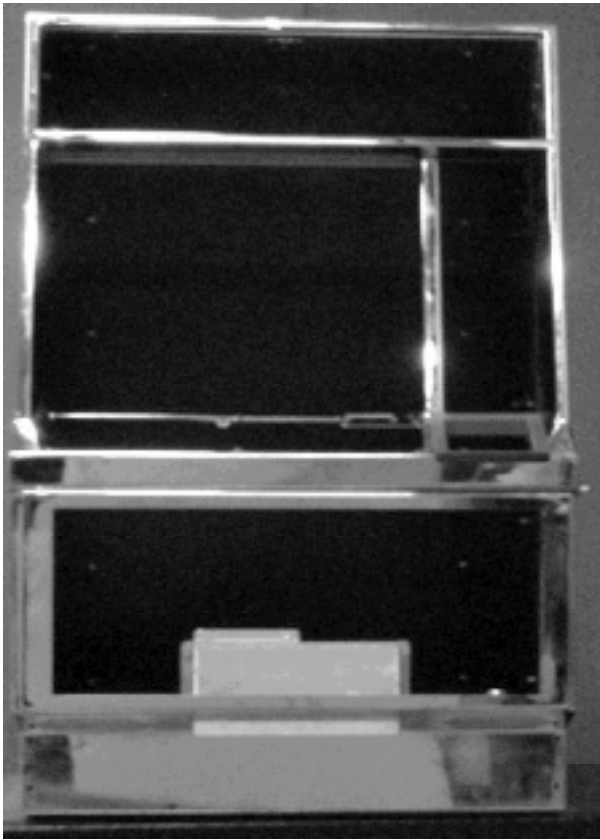


## 3-TIER TOWER

## 4-TIER TOWER

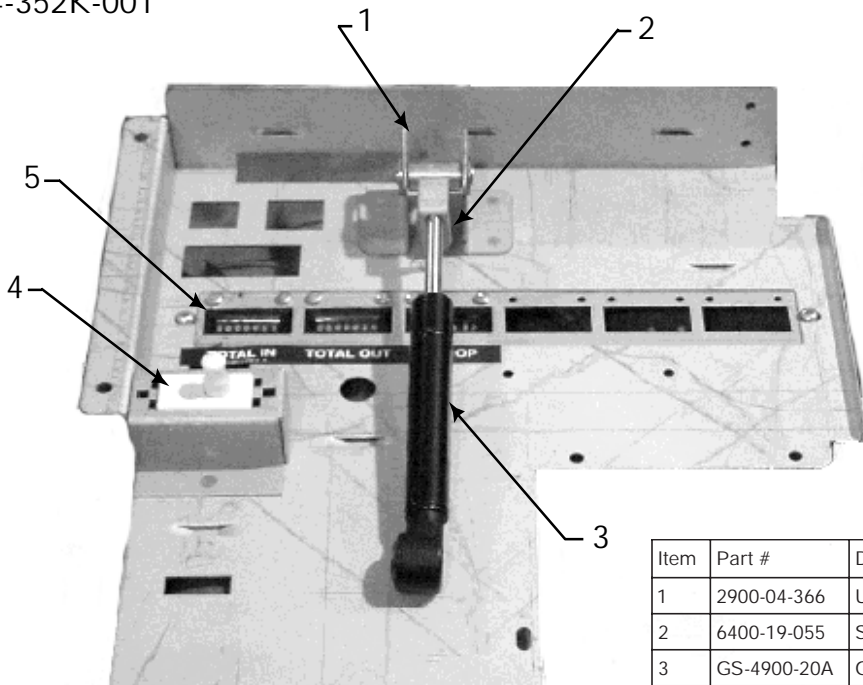


### Door Assembly



Door Assembly		
Item	Part #	Description
1	2900-04-311/190/235	Door Weldment
2	C-04713-0001	Base, Coin Head, Polished Chrome, 5000-19-041C
3	K-00604-5001	Entry, Chrome, 5¢, AS-5000-19-041K-005
	C-04300-1002	Back Plate, Chrome, 25¢ 5000-19-041Q
	C-04110-1016	Back Plate, Chrome, \$1 5000-19-041D

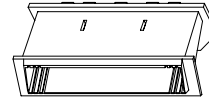
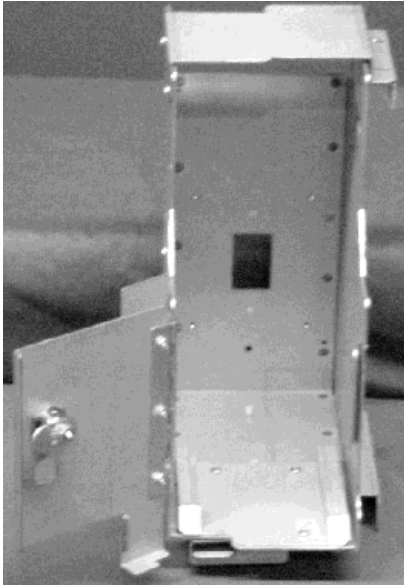
### Meter Panel Assembly AS-2900-04-352K-001



Item	Part #	Description
1	2900-04-366	Upper Gas Shock Bracket
2	6400-19-055	Spring Bracket Gas Shock
3	GS-4900-20A	Gas Spring, 7.5", 20#
4	704-767-0001	Safety Cherry Switch
5	E-00664-0491	7-Digit Meter Assembly

Bill Acceptor Housing  
6600-17-046

Bezel, JCM S/T & T-Bird M.C. (Green)  
5400-16-160

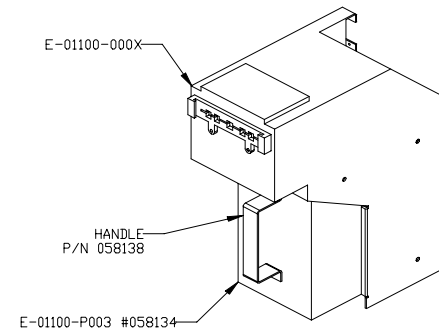


Bill Acceptor Weldment  
2900-04-065



JCM Bill Acceptor  
E-01100-(series)

PART NUMBER	DESCRIPTION	BALLY GUIDE P/N JCM GUIDE P/N	JCM HANDLE P/N	BALLY BILL BOX P/N JCM BILL BOX P/N
E-01100-0001	BA, JCM WBA-10-SS/XXX-501-03	GJ-04000-0001 052519	058138	E-01100-P003 058134
E-01100-0002	BA, JCM WBA-11-SS/XXX-501-03	GJ-04000-0001 052519	058138	E-01100-P003 058134
E-01100-0003	BA, JCM WBA-20-SS/XXX-502-03	GJ-04000-0002 054625	058138	E-01100-P003 058134
E-01100-0004	BA, JCM WBA-21-SS/XXX-502-03	GJ-04000-0002 054625	058138	E-01100-P003 058134
E-01100-0005	BA, JCM WBA-12-SS/XXX-501-03	GJ-04000-0001 052519	058138	E-01100-P003 058134
E-01100-0006	BA, JCM WBA-13-SS/XXX-501-03	GJ-04000-0001 052519	058138	E-01100-P003 058134



BILL ACCEPTOR TO BE SHIPPED WITH 1 EXTRA  
BILL BOX PART NO. E-01100-P003 #058134 TOTAL OF 2

