



MODULE 3

MK3-V7MOD-0001

ASSEMBLIES, PARTS & HARDWARE

©2000 BALLY GAMING AND SYSTEMS ALL RIGHTS RESERVED

Bally Gaming & Systems

6601 South Bermuda Road, Las Vegas, NV 89119

**For Customer Service and Information:
+1-702-896-7772 outside the U.S.
1-877-GO BALLY (877) 462-2559 in the U.S. and Canada
896-7772 in Las Vegas
FAX +1-702-896-7710
or visit our website at <http://www.ballygaming.com>**



Module 3

Assemblies, Parts, & Hardware Table of Contents

Locks and Cams	7
2 ND Keypad and Shipping	7
Game Maker-7200®, 7217, and 7219 Lock Requirements	8
Game Maker Slant-7200® Lock Requirements	8
Upright and Casino Lock Requirements	9
Slant Lock Requirements	9
Bar Lock Requirements	10
Game Maker® Monitors	10
Game Maker® Circuit Boards	11
Game Maker® Programmable Devices and Batteries	12
Game Maker® Illumination	12
Game Maker® Cables	13
Denomination Change Kits for Game Maker® Machines With XS1200 Or Asahi Seiko Hoppers	17
Game Maker® Tower Lens Selection	17
Coin Acceptor Selections	18
Coin Mechanisms, Inc. RFI CC-16,	18
Coin Mechanisms, Inc. IC-16	19
Coin Mechanisms, Inc. CC-62	20
Coin Mechanisms, Inc. IC-62	21
Coin Mechanisms, Inc. MC-62	21
Coin Controls, Inc. Condor	22
IDX Coin Acceptors	23
NRI Coin Acceptors	24
V72xx Parts	25
V72xx Cabinet Assembly	25
Cabinet Power Cable Assembly	27
Hopper Cable Assembly	28
Starter/Ballast Assembly, 120VAC 60 Hz.	29
Starter/Ballast Assembly, 220VAC 50 Hz.	30
Card Rack/Backplane Assembly	31
MPU Board/Tray Assembly	32
Power Supply AS-04238-0065	33
Transformer, 120VAC 50/60 Hz. E-00122-0223	33
Transformer, 220VAC 50/60 Hz. E-00122-0224	34
Bell & Receptacle E-00664-0466	34
Tower Selections	35



Assemblies, Parts, & Hardware Table of Contents (cont.)

Three Meter Assembly	37
Bill Acceptor Housing JCM/Mars/Ardac AS-06602-0003	39
JCM Bill Acceptor E-01100-(series)	39
Mars Bill Acceptor E-01124-(series)	40
Game Maker-7200™ With XS1200 Hopper Coin-Specific Parts	40
V7200 Door AS-07512-SERIES	42
V7219 Door AS-07210-SERIES	43
Display Glass Light Assembly	44
Coin Panel Assembly	45
Game Maker® Upright Parts	48
V7000 Cabinet Assembly	48
Backplane/MPU Board AS-04741-0014	51
Tamper-Proof Meter Assemblies AS-04733-series	52
Bill Acceptor AS-14560-series	53
V7000 Door Assembly AS-04911-Series	57
Coin Panel Assembly AS-03210-0099	64
Coin Panel Assembly, Wide AS-03210-0061	65
Game Maker-7000™ With SX1200 Hopper Coin-Specific Parts	66
Game Maker® Casino Parts	67
Casino Cabinet Assembly	69
Cabinet Cable Assembly AS-03025-0018	70
Hopper Cable Assembly AS-03025-0016	70
Starter/Ballast, 60Hz. AS-02335-0070	71
Meter Assembly AS-04225-(series)	71
V7000 Casino Door Assembly AS-05211-SERIES	72
Coin Panel AS-03210-0071	74
Game Maker® Casino With SX1200 Hopper Coin-Specific Parts	74
V7000 With 20-Inch Monitor and Top Box	75
V7000 With 20-Inch Monitor and Top Box Cabinet Assembly	75
Cabinet Cable/Switch/Power Assembly AS-03025-0064	77
Door Assembly AS-04907-(series)	78
Light Panel Assembly AS-03210-0079	82
Game Maker-7000™ JCM DBV, CBA, SRA, IBA Bill Acceptors	83
Bill Acceptor AS-14560-SERIES	84
Bill Acceptor Face Plate	86
Game Maker Slant-7200™ Parts	87
Game Maker Slant-7200™ Cabinet Assembly	87
Card Rack/Backplane Assembly AS-06604-0003	89
Cabinet Power Cable Assembly AS-03025-0136	89
MPU Board/Tray Assembly AS-06605-1001	90
Deck Assembly A-07924-SERIES	90



Assemblies, Parts, & Hardware Table of Contents (cont.)

Deck Hatch Assembly AS-07921-SERIES	91
Coin Acceptor Assembly AS-05035-series	92
Game Maker Slant-7200™ With Asahi Seiko Hopper Coin-Specific Parts	95
Housing/Frame, Bill Acceptor, JCM, Mars, ARDAC AS-06603-0001, AS-06603-0009 (OLC)	95
Game Maker® Slant Top Parts	96
V7000 Slant Cabinet Assembly	96
Cabinet with Touchscreen Monitor AS-04222-0261	98
Meter Assembly AS-05031-SERIES	100
Coin Acceptor Assembly AS-05035-series	102
Game Maker® Slant Top With Asahi Seiko Hopper Coin-Specific Parts	105
MPU Card Rack/Door AS-04231-0111	105
Starter/Ballast, 60Hz. AS-02335-0069	106
Starter/Ballast, 50Hz. AS-02335-0071	106
Deck AS-05150-(series)	107
Feature Display AS-02471-SERIES	108
Game Make Slant Top JCM, DBV, CBA, SRA, IRA Bill Acceptor Parts	109
Bill Acceptor AS-04560-0800	109
Lighted Face Plate	112
Game Maker® Bartop Parts	113
Bartop Main Assembly with Monitor	115
MPU and Backplane Assembly AS-04173-0122	117
Bartop Power Supply AS-04238-0041	118
Bartop Acceptor and Coin Entry	119
Speaker Panel AS-04602-0002	121
Deck Assembly	123
Bartop Asahi Seiko Hopper	125
Game Maker® Bar Top Bill Acceptor	127
Part Number Structure	130
Video Model Number	131



Assemblies, Parts, & Hardware Table of Contents (cont.)

This page unintentionally left blank.

Module 3

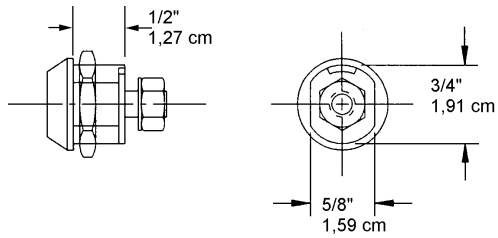
Assemblies, Parts, & Hardware

Locks and Cams

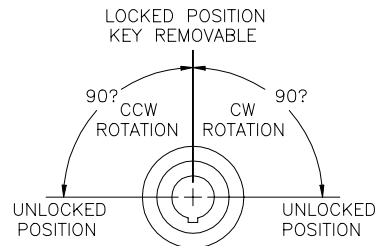
Keyswitches, MPU, and Feature (slant) locks have been installed at the factory. Cams are provided for the other locks that the Operator must purchase. Single or Dual lock configurations are possible.

All lock openings are $\frac{5}{8}$ " (1.59cm) by $\frac{3}{4}$ " (1.91cm). The locks are 90 degree rotation. The keys should be removable only in the locked position.

Locks $1\frac{1}{8}$ " (2.86cm) long can be used with spacers to maintain the $\frac{1}{2}$ " (1.27cm) lock length.




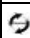


Parts indicated as "Express"  are in stock and available for shipment within 24 hours after receiving an order.



EITHER "CW" OR "CCW" MAY BE OBTAINED BY CHANGING ORIENTATION OF STOP CAM ON BACK OF LOCK.

Game Maker® 2nd Keyswitch and Shipping Locks

Game Maker® 2 nd Keyswitch and Shipping Locks		
Part #	Description	Where Used
 M-00281-158C	Switch, Locking reset (Key X000001)	Audit Keyswitch
 M-00281-0172	Switch, Locking reset (Key X000010)	Second Keyswitch, Tournament, Knockoff
 M-00281-0167	Lock, No Cam, (.63" 16 mm Barrel Length, Key 52593)	Shipping Lock
 M-00281-0170	Lock, No Cam, (11/8" 28.58 mm Barrel Length, Key 52593)	Shipping Lock



Illustrations of cams are provided in Appendix A.



Locks and Cams (cont.)

Game Maker-7200™, V7217, and V7219 Lock Requirements

V72xx Locks and Cams		
Location	Hardware	Part #
Main Door	Single Lock cam	P-00758-0093
	Dual Locks add	P-00758-0173 Best® P-00758-0165
Belly Door	Single Lock cam	P-00758-0151
	Dual Locks add	P-00758-0162 Best® P-00758-0166
Stacker Access Door	Single Lock cam	P-00758-0155
	Dual Locks (qty. 2)	
Bill Acceptor Stacker	Two cams provided by JCM: #0943PT0504	P-00758-0163 Best®
MPU (Factory Installed)	Lock, Key 52593	M-00281-162A
	Cam	P-00758-0094
Audit Keyswitch (Jackpot) (Factory Installed)	Keyswitch, Key X000001	M-00281-158C
	or Keyswitch, Key H2341	M-00281-0171
Data Tracking System (Factory Installed)	Lock, Key 52593	M-00281-162A
	Cam	P-06434-0007
Top Box Door (Factory Installed)	Lock, Key 52593	M-00281-162A
	Cam	P-00758-0185

Game Maker Slant-7200™ Lock Requirements

V7200 Slant Locks and Cams		
Location	Hardware	Part #
Deck Door	Single Lock cam	P-00758-0117
	Dual Locks add	P-00758-0118
Bill Door	Cam	P-00758-0189
Bill Acceptor Stacker	Two cams provided by JCM: #0943PT0504	
Stacker Access Bar	Single Lock cam	P-00758-0180
	Dual Locks (qty. 2)	
Lower Doors	Single lock cam (qty. 2)	P-00758-0181
	Dual Locks (qty. 3)	
MPU (Factory Installed)	Lock, Key 52593	M-00281-162A
	Cam	P-00758-0168
Audit Keyswitch (Factory Installed)	Keyswitch, Key X000001	M-00281-158C
	or Keyswitch, Key H2341	M-00281-0171
Feature (Factory Installed)	Lock, Key 52593	M-00281-162A
	Cam	P-00758-0101
	Cam, Radial Top Inner	P-00758-0143
	Cam, Radial Top Outer	P-00758-0144
Data Tracking System (Factory Installed)	Lock, Key 52593	M-00281-152A
	Cam	P-00758-0137



Locks and Cams (cont.)

Upright and Casino Lock Requirements

V7000, V7020, and Casino Locks and Cams		
Location	Hardware	Part #
Main Door	Kit of cams and spacers to match finish (chrome, brass, or gold).	K-00694-(series)
	Single Lock cam	P-00758-0093
		P-00758-0110 Best®
Dual Locks (qty 2)		
Bill Door	Single lock cam	P-00758-081A
		P-00758-0126 Best®
	Dual lock cams	P-00758-0098
P-00758-0099		
Stacker Cover	Cam	P-00758-0109
		P-00758-0127 Best®
Bill Cover (Extractor)	Single Lock cam	P-00758-0096
		P-00758-0128 Best®
	Dual Locks add	P-00758-0095
MPU (Factory Installed)	Lock, Key 52593	M-00281-162A
	Cam	P-00758-0094
Audit Keypad (Factory Installed)	Keypad, Key X000001	M-00281-158C
Data Tracking System (Factory Installed)	Lock, Key 52593	M-00281-162A
	Cam	P-06434-0007
Top Box Door	Cam	P-00758-0160

Slant Lock Requirements

V7000 Slant Locks and Cams		
Location	Hardware	Part #
Deck Door	Single Lock	P-00758-0117
	Dual Locks add	P-00758-0124 Best®
		P-00758-0118
Bill Door	Cam	P-00758-0103
		P-00758-0129 Best®
Stacker Cover	Cam	P-00758-0109
		P-00758-0127 Best®
Bill Acceptor Door	Single Lock cam	P-00758-0120
		P-00758-0132 Best®
	Dual Locks add	P-00758-0106
Bill Cover (Extractor)	Single Lock	P-00758-0096
	Dual Lock add	P-00758-0128 Best®
		P-00758-0095
Lower Doors	Single Lock (qty. 2)	P-00758-0108
		P-00758-0131 Best®
	Dual Lock (qty. 3)	
Feature (Factory Installed)	Lock, Key 52593	M-00281-162A
	Cam	P-00758-0101
		P-00758-0130 Best®
MPU (Factory Installed)	Lock, Key 52593	M-00281-162A
	Cam	P-00758-083A
Audit Keypad (Factory Installed)	Keypad, Key X000001	M-00281-158C
	or Keypad, Key H2341	M-00281-0171
Data Tracking System (Factory Installed)	Lock, Key 52593	M-00281-162A
	Cam	P-06434-0007



Locks and Cams (cont.)

Bar Lock Requirements

Bartop Locks and Cams		
Location	Hardware	Part #
Deck Door	Single Lock cam	P-00758-0115
		P-00758-0124 Best®
	Dual Locks	P-0464-00003 (left)
P-04644-0004 (right)		
Bill Door	Single Lock cam	P-00758-0115
		P-00758-0177 Best®
	Dual Locks	P-0464-0003 (left)
P-04644-0004 (right)		
Stacker Cover	Cam	P-00758-0096
		P-00758-0178 Best®
Stacker Lock	Cam, Stacker Lock Front	P-04644-0001
	Cam, Stacker Lock Rear	P-04644-0002
Bill Cover (extracter)	Single Lock	P-00758-0096
	Dual Lock add	P-00758-0095
MPU (factory installed)	Lock, Key 52593	M-00281-0162A
	Spacer	S-00231-1017
	Cam	P-0758-0101
Audit Keypad (factory installed)	Keypad, Key X000001	M-00281-158C
	or Keypad, Key H2341	M-00281-0171

Game Maker® Monitors

Game Maker® Monitors				
Part #	Description	Manufacturer	Model #	Machine
E-00832-0065	VGA With Touch Screen	Tatung	VS-14428BM12	V7000
			VS-14428TM22LD	
		Wells-Gardner	14K3002	
		Segai	SE-M23V14	
		Kristel	C72113	
E-00832-0066	VGA Without Touch Screen	Same as ...65		V7000
E-00832-0067	20" With Frame, Touch Screen	Tatung	VS-2475B	V7 20"
		Wells-Gardner	19K3001	
		Segai	SE-M23V19	
E-00832-0068	20" Without Touch Screen	Same as ...67		V7 20"
E-00832-0073	V7K Bartop	Tatung	VS-14428TF	V7 Bar
E-00832-0074	VGA 14" Air Force	Tatung	VS-14428BM12	V7000
			VS-14428TM22LD	
E-00832-0076	14" With Touch Screen, Plug	Tatung	VS-14428TM22LD	V7 Slant
E-00832-0077	14" With Touch Screen, Plug	Tatung	VS-14428TM12LI	V7 Casino
E-00832-0078	20" With Touch Screen, Tatung, ARMP	Wells-Gardner	19K3001	V7 20"
E-00832-0079	14" VGA With Touch Screen, ARMP	Wells-Gardner	WGT1430	V7000
E-00832-0080	With Touch Screen,	Tatung	VS-14428TM22LP	V7 Bar
E-00832-0082	14" With Touch Screen, CE97	Telco	KT1403V-T0A28B03	V7000
E-00832-0083	14" Without Touch Screen, CE97	Telco	KT1403V-T0A28B01	V7000
E-00832-0084	Adjustable, With Touch Screen	Tatung		V7 Bar
E-00832-0085	14" Adjustable, With Touch Screen	Tatung	VS-14428TM22AY	V7200
E-00832-0089	14" Without Touch Screen	Tatung	VS-1428TY	V7200
E-00832-0090	17" V72 Slant Top	Tatung	VS-17442TM22LE	V72 Slant
E-00832-0091	14" Without Touch Screen	Tatung	VS-14428TH	V7 Slant
E-00832-0099	Adjustable, With Touch Screen	Kortek	KT1948	V7219
		Tatung	VT-198265M21LB	
E-00832-0101	Adjustable, With Touch Screen	Kortek	KT1748	V7217



Game Maker® Circuit Boards

Game Maker® Circuit Boards

MPU

- AS-03356-0246 MPU Board Assembly, Upright
- AS-03356-0308 MPU Board Assembly, Bartop
- AS-03356-0350 MPU Board Assembly, MGM
- AS-03356-0446 MPU Board, EUR/FCC Class B
- AS-03356-0455 MPU Board, FCC, "B", ARMP, FN
- AS-03356-0473 MPU Board Assembly, MGM Bartop
- AS-03356-0477 MPU Board Assembly, Data Vault™
- AS-03356-0489 MPU Board (DEUS/NMUS)

Backplane

- AS-03356-0243 Backplane Board Assembly, Bartop
- AS-03356-0247 Backplane Board Assembly, Upright
- AS-03356-0331 Backplane Board Assembly, Slant top
- AS-03356-0353 Backplane Board Assembly, (JDPROG) CSA
- AS-03356-0422 Backplane Board Assembly, V7200 Slant Top
- AS-03356-0432 Backplane Board Assembly, V7200
- AS-03356-0499 Backplane Board Assembly, V7219

Hopper Control

- AS-03356-0339 Hopper Control Board Assembly, Dual Optic
- AS-03356-0368 Hopper Control Board, FET, Dual Optic
- AS-03356-0384 Hopper Control Board Assembly, Bergmann

Bill Acceptor

- AS-03356-0241 Bill Bezel Lamp Board
- AS-03356-0242 Bill Bezel Lamp Board
- AS-03356-0454 Bill Exit Light Board
- AS-03356-0305 Bill Interface Board Assembly, Bartop
- AS-03356-0202 JCM Bill Acceptor Distribution Board Assembly
- AS-03356-0431 LED Board, JCM WBA
- AS-03356-0447 TTL Board (Inline) Bill Acceptor
- AS-03356-0430 TTL Interface, JCM WBA #841070

Systems and Communication

- AS-03356-0185 LSAMS Fiber Optic Board Assembly
- AS-03356-0197 EPROM UIB With Piggyback Board, MGM
- AS-03356-0337 RX/TX Board Assembly, ARMP
- AS-03356-0356 RS-485/TTL Communication Board Assembly
- AS-03356-0375 RS-232 Interface Board Assembly
- AS-03356-0463 Flash UIB With Piggyback Board, MGM
- AS-03356-0500 Serial Printer Interface Board
- AS-205101 4-Pole Lockout PCB Assembly

Other

- AS-03356-0303 Coin Optic Decoder Board
- AS-03356-0357 Progressive Expansion Board
- AS-03356-0362 Deluxe Sound Board Assembly
- AS-03356-0427 Door Optic Emitter Board
- AS-03356-0428 Door Optic Detector Board
- AS-03356-0465 Message Center VFD, 16-Digit, 4", MGM
- AS-03356-0466 Data Vault™ Memory Board (FN)
- AS-03356-0479 Power Switch Board, C/C

Game Maker® Programmable Devices and Batteries

Game Maker® Programmable Devices and Batteries		
Part #	Description	Where Used
E-00867-0037	(Blank) EPROM, IC, 1MEG, 128K X 8, 80NS	JCM WBA Bill Acceptor
E-00867-0038	(Blank) EPROM, IC, 1MEG, 128K X 8, 120NS	Graphics (Ver. -05) Personality (P1-P10)
E-00867-0039	(Blank) EPROM, IC, 2MEG, 256K X 8, 120NS	Graphics (Ver. -07 & -08)
E-00867-0042	(Blank) EPROM, CMOS, (512K) 64K X 8	Personality (P1-P10)
E-00867-0045	(Blank) EPROM, IC, 4MEG, 512K X 8, 120NS	Mains (M0, M1)
E-00867-0046	(Blank) EPROM, IC, 8MEG, 1M X 8, 120NS	AS-03356-0362 Deluxe Sound Board
V7000CLEAR-02	Game Maker® SafeRAM™ Clear	P10
E-01056-0007	Programmed Controller, PIC16C84	AS-03356-0244 Hopper Control Board (Obsolete)
E-01056-0017	Programmed Controller, 16C84, DBL-022	AS-03356-0339 Hopper Control Board (Obsolete)
E-01056-0018	Programmed Controller, 16F84, FET-003	AS-03356-0368 Hopper Control Board
E-01056-0015	Programmed Controller, 16F84, PRF-001	AS-03356-0368 Hopper Control Board
E-01091-0002	Programmed COD Micro-controller VER.2.8	AS-03356-0172 COD Board
E-01091-0004	PROGRAMMED COD Micro-controller, PIC16C54, V5.1	AS-03356-0303 COD Board
E-00620-0652	IC, NMC93C56, 8-Pin (E2)	U3
E-00628-0023	Battery, Lithium (3.6V @ 1800MAH)	B1
E-00882	Jumper	Wxx
E-00620-0673	IC, Dallas Smart Socket DS1213D	U45 and U65



WARNING: Attempting to recharge Lithium batteries can cause them to explode. Replace failed batteries with Bally Gaming part E-00628-0023 or its equivalent.

Game Maker® Illumination

Part #	Description
E-00412-0013	Lamp, Fluorescent, F15T8/CW (Belly)
E-00412-0014	Lamp, Fluorescent, F14T8/CW (Upright Feature)
E-00411-0008	Fluorescent Starter FS-2
E-00411-0007	Fluorescent Starter FS-5
E-00411-0010	Fluorescent Starter FS-2 CE97
E-00412-0019	Lamp, Fluorescent, 24" Soft White Appliance (Slant Top)
E-00125-0101	Lamp, T-1, 5V, #7152 (Bill Bezel)
E-00125-0104	Lamp, #194, T3-1/4, 14V, Wedge Base (Denomination)
E-00412-0025	Lamp, Fluorescent, F4T5-CW (V72 Door)
E-00125-0005	Lamp, #55 (Tower)
E-00125-0089	Lamp, #159, Incandescent
E-00125-0095	Lamp, #86, 6.3V Incandescent (Button Lamp)



Game Maker® Cables

Part Number	Description	V7214	V7217	V7219	V72 SLNT	V7	V7 CAS	V7 20	V7 SLNT	BAR
CBL-906616	4 Pole Lockout Assembly, J1	X			X					
CBL-20153-0001	4 Tier Tower Interface	X	X	X	X					
CBL-20109-0005	5', \$20 External Button									X
CBL-20173-0001	5TH Meter Assembly, Bill								X	
CBL-20166-0001	5TH Meter Games Played, CSA					X				
CBL-30107-0001	AC								X	
CBL-20248-0001	Back Light Extender				X					
CBL-20249-0001	Backplane Interconnect	X	X	X	X					
CBL-30106-0001	Bill Acceptor								X	
CBL-20100-0001	Bill Acceptor Door									X
CBL-20214-0001	Bill Acceptor Door	X	X	X						
E-00537-7765	Bill Acceptor Door Distribution Switch							X		
CBL-30244-0001	Bill Acceptor Door Switch				X					
CBL-30349-0001	Bill Acceptor Switches, GPT				X					
CBL-30148-0001	Bill Acceptor, CSA								X	
CBL-20188-0001	Bill Acceptor, GPT	X	X	X	X					
CBL-30351-0001	Bill Acceptor, GPT				X					
CBL-30411-0001	Bill Acceptor, GPT				X					
CBL-30079-0001	Bill Acceptor, JCM									X
CBL-20279-0001	Bill Acceptor, WBA 10/11/20/21	X								
CBL-20216-0001	Bill Acceptor, WBA 10/20	X								
CBL-30243-0001	Bill Acceptor, WBA 10/20				X					
CBL-30361-0001	Bill Acceptor, WBA 12/13	X								
CBL-30362-0001	Bill Acceptor, WBA 12/13				X					
CBL-20280-0001	Bill Acceptor, WBA 12/13/23				X					
CBL-30018-0001	Cabinet							X		
CBL-30155-0001	Cabinet						X			
CBL-30075-0001	Cabinet									X
CBL-30075-0002	Cabinet									X
CBL-30144-0001	Cabinet CE97					X				
CBL-30479-0001	Cabinet Power			X						
CBL-30490-0001	Cabinet Power		X							
CBL-30242-0001	Cabinet Power				X					
CBL-30257-0001	Cabinet Power	X								
CBL-30258-0001	Cabinet Power	X								
CBL-30484-0001	Cabinet Power, Seiko Printer	X								
CBL-30506-0001	Cabinet Power, Seiko Printer			X						
CBL-30480-0001	Cabinet Signal			X						
CBL-30480-0002	Cabinet Signal		X							
CBL-30240-0001	Cabinet Signal				X					
CBL-30041-0001	Cabinet With AC Isolation Transformer					X				
CBL-30080-0001	Cabinet With AC Isolation Transformer					X				
CBL-30104-0001	Cabinet, Low Voltage								X	
CBL-20052-0001	Cash Box						X			
CBL-30229-0001	CC-16/COD		X	X						



Game Maker® Cables (cont.)

Part Number	Description	V7214	V7217	V7219	V72 SLNT	V7	V7 CAS	V7 20	V7 SLNT	BAR
CBL-20086-0003	CC62 Interface, 14					X				
CBL-20086-0004	CC62 Interface, 19							X		
CBL-30229-0002	COD/Condor		X	X						
CBL-20215-0001	Coin Acceptor CC-46/IDX	X								
CBL-20211-0001	Coin Acceptor, Condor				X				X	X
CBL-20223-0001	Cable, Coin Acceptor, Condor	X								
CBL-20197-0001	Coin Comparitor, NRI								X	X
CBL-30472-0001	Coin I/O				X					
E-00537-7747	Coin I/O								X	X
E-00537-7766	Coin Switch, Seiko Hopper				X				X	
CBL-20210-0001	Condor Coin Mech. Interface							X		
CBL-20116-0001	Convenience Outlet							X		
CBL-20178-0001	Data Communication, ABS					X				
CBL-20276-0001	Data Vault	X			X					
CBL-30048-0001	Deck Button									X
CBL-30246-0001	Deck Button, Video				X					
CBL-20074-0001	Deck Switch Extension					X		X		
CBL-30157-0001	Deck With 1 Button and Touch Screen									X
CBL-30105-0001	Deck								X	
CBL-30317-0001	Deck, 12-Button				X					
CBL-30111-0001	Deck with Door Optic (France)					X				
CBL-30013-0001	Deck With Hold Button, CC62					X				
CBL-30425-0004	Deck, 10-Button		X	X						
CBL-30426-0004	Deck, 12-Button		X	X						
CBL-30322-0001	Cable, Deluxe Sound Board Interface	X	X	X	X					
CBL-30405-0001	Diode Isolation Bill Acceptor Doors, GPT				X					
CBL-30420-0001	Diode Isolation Bill Acceptor Doors	X								
CBL-30481-0001	Door			X						
CBL-30481-0002	Door		X							
CBL-30140-0001	Door						X			
CBL-20098-0001	Door Bell					X				
CBL-30245-0001	Door Button	X								
CBL-30228-0001	Door Deck, 12 Button							X		
CBL-20236-0001	Door Open Meter (RQ)	X								
CBL-20077-0001	Door Open Meter (RQ)						X			
CBL-20240-0001	Door Open Meter (RQ)							X		
CBL-20241-0001	Door Open Meter (RQ)					X				
CBL-30161-0001	Door Optic								X	
CBL-20088-0001	Cable, Door Optic Emitter					X		X		
CBL-20031-0001	Cable, Door Optic Receiver								X	
CBL-20089-0001	Cable, Door Optic Receiver							X		
CBL-20225-0001	Door Panel, A/C Power	X								
CBL-30076-0001	Door, 14", All Buttons					X				
CBL-30076-0002	Door, 14", Two Buttons					X				
CBL-30081-0001	Door, All Buttons							X		
CBL-20118-0001	Extension Fluorescent Lamp Assembly							X		



Game Maker® Cables (cont.)

Part Number	Description	V7214	V7217	V7219	V72 SLNT	V7	V7 CAS	V7 20	V7 SLNT	BAR
CBL-30393-0001	Extension, Top 2 Light			X						
CBL-30108-0001	Feature Box								X	
CBL-30312-0001	Feature Box			X	X					
CBL-30379-0001	Feature Glass			X						
CBL-30309-0001	Feature Housing Light				X					
CBL-30378-0001	Feature Light									
CBL-20187-0001	GPT Bill Acceptor		X	X						
CBL-30491-0001	GPT Bill Acceptor		X	X						
CBL-205516	Harness, Game Reserve				X					
CBL-30227-0003	Hopper			X						
CBL-30227-0004	Hopper		X							
CBL-30141-0001	Hopper						X			
CBL-30241-0001	Hopper				X					
CBL-30241-0002	Hopper				X					
CBL-30227-0001	Hopper	X								
CBL-30100-0001	Hopper XS1200 Sup/Std	X					X			
AS-03025-0074	Hopper, Beau Plug Assembly							X		
CBL-20065-0001	Hopper, Dual Probe	X		X	X					
UC-5088304	Host Communication, Bally									
CBL-20227-0001	Knock-Down	X			X					
CBL-30377-0001	Light Panel, Feature, Round				X					
CBL-20255-0001	Light, Door Panel (Cash Cage™)	X								
CBL-20257-0001	Light, Door Panel (Cash Cage™)				X					
CBL-30294-0001	Lighting Feature Housing								X	
CBL-30344-0001	Logic Interface (Cash Cage™)				X					
CBL-30343-0001	Logic Interface (Cash Cage™)	X								
CBL-205520	Loss Limit	X			X					
CBL-20284-0046	LSAMS Power	X			X					
CBL-20050-0037	LSAMS, 37 Inch					X				
CBL-20050-0046	LSAMS, 46 Inch	X			X			X		
CBL-20283-0046	LSAMS, 46 Inch	X			X					
CBL-30313-0001	Mars Bill Acceptor Interface	X			X					
CBL-20219-0001	Meter	X								
CBL-20047-0001	Meter Detect Jumper (France)	X			X				X	
CBL-20275-0002	MPU Door Switch	X								
CBL-20086-0001	NRI* Interface, 14"					X				
CBL-20086-0002	NRI* Interface, 19"							X		
CBL-20028-0001	Optic Receiver								X	
CBL-30469-0001	PDU, CE97, Fused	X	X	X	X					
CBL-30070-0001	Power Supply						X			X



Game Maker® Cables (cont.)

Part Number	Description	V7214	V7217	V7219	V72 SLNT	V7	V7 CAS	V7 20	V7 SLNT	BAR
CBL-30097-0001	Power Supply							X		
E-00537-7570	Power Supply					X		X		
CBL-30180-0001	Power Supply CE97	X	X	X	X	X				
CBL-30127-0001	Power Supply, CSA									X
CBL-30414-0001	Power Switch Board	X			X					
CBL-30415-0001	Power Switch Board, Cash Cage	X								
AS-02988-0225	Printer, ABS					X		X		
E-00537-7735	Printer, Ithaca							X		
CBL-30154-0001	Retro UIB			X						
CBL-00426-0060	Ribbon assembly, 26 Circuit, 60"	X		X						
CBL-20051-0001	RS-422 Bi-directional					X				
CBL-20051-0002	RS-422 Bi-directional						X			
CBL-20286-0001	RS-485				X					
CBL-20146-0001	RS-485 Communication Board Interface					X	X			
CBL-20145-0001	RS-485 Communication Board Power					X	X			
CBL-20174-0001	RS-485/TTL Communication Board							X		
CBL-30019-0001	Seiko Hopper				X				X	X
CBL-30483-0001	Seiko Printer Interface	X								
CBL-30483-0002	Seiko Printer Interface			X						
CBL-20271-0001	Cable, Serial Link	X		X	X					
CBL-30311-0001	Signal Feature Housing				X					
CBL-20007-0001	Spare Switch Panel					X		X		
E-00537-7623	Super Hopper	X	X	X		X		X		
CBL-0244-0001	Super Hopper Grounding		X	X						
CBL-20238-0001	System Interface	X								
UC-5088302	Telebyte To Link board	X								
CBL-30226-0001	Top Fluorescent Extension	X					X			
CBL-20020-0001	Tower Extension				X				X	
CBL-20095-0001	Tower Extension	X		X	X			X		
CBL-20221-0001	Tower Extension, Dice				X					
CBL-20127-0001	Tower Lamp									X
CBL-20151-0001	Tower Lamp Interface	X	X	X	X					
CBL-20152-0001	Tower Lamp Selector	X	X	X	X					
CBL-20124-0001	Tower Lamp, 4-tier	X				X				
CBL-20045-0001	Tower, 4-Tier						X			
E-00664-0563	TTL Board, Bill Acceptor Assembly	X			X					
CBL-30268-0001	UIB Communication	X								
CBL-30269-0001	UIB Communication			X						
CBL-30386-0001	UIB Communication				X					
CBL-30406-0001	Universal Signals	X								
CBL-30431-0001	Universal Signals				X					
CBL-20279-0001	WBA-10/11/20/21	X	X	X						
CBL-20280-0001	WBA-12/13/23				X					
CBL-30361-0001	WBA-12/13/23	X								
CBL-30100-0001	XS1200 Hopper	X	X	X						



Denomination Change Kits for Game Maker® Machines With XS1200 Or Asahi Seiko Hoppers



Denomination Change

Parts needed to change the coin denomination accepted by Game Maker® are available in kits. Each kit contains the necessary coin entry and hopper parts for the XS1200 hopper. Kits for slant and bar top machines using the Asahi Seiko hopper include a replacement hopper configured for the conversion coin. Refer to the following matrices for kit numbers:

Game Maker-7200™, 7217, 7219

		To		
		5¢	25¢	\$1
From	5¢		K-00811-0061	K-00811-0063
	25¢	K-00811-0062		K-00811-0063
	\$1	K-00811-0066	K-00811-0064	

Game Maker® Upright, Game Maker® 20"

		To		
		5¢	25¢	\$1
From	5¢		K-00811-0021	K-00811-0023
	25¢	K-00811-0022		K-00811-0023
	\$1	K-00811-0026	K-00811-0024	

Game Maker® Casino

		To		
		5¢	25¢	\$1
From	5¢		K-00811-0001	K-00811-0003
	25¢	K-00811-0002		K-00811-0003
	\$1	K-00811-0006	K-00811-0004	

Game Maker Slant-7200™

		To		
		5¢	25¢	\$1
From	5¢		K-00811-0141	K-00811-0143
	25¢	K-00811-0142		K-00811-0143
	\$1	K-00811-0146	K-00811-0144	

Game Maker® Slant Top

		To		
		5¢	25¢	\$1
From	5¢		K-00811-0101	K-00811-0103
	25¢	K-00811-0102		K-00811-0103
	\$1	K-00811-0126	K-00811-0104	

Game Maker® Bar Top

		To		
		5¢	25¢	\$1
From	5¢		K-00811-0121	K-00811-0123
	25¢	K-00811-0122		K-00811-0123
	\$1	K-00811-0126	K-00811-0124	



Note: Parts indicated as "Express" are in stock and available for shipment within 24 hours after receiving an order.

Game Maker® Tower Lens Selection

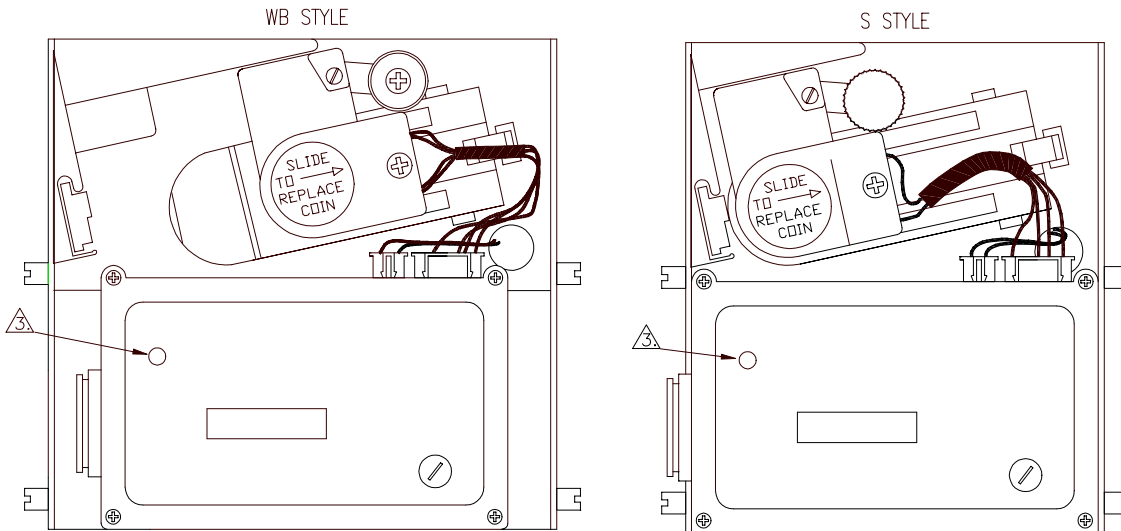
Color	Tower Lens Covers			
	Tower Lens Cover, Small		Tower Lens Cover, Large	
	Top Part #	Bottom Part #	Top Part #	Bottom Part #
White	M-02100-0301	M-02100-0401	M-02100-0101	M-02100-0201
Red	M-02100-0302	M-02100-0402	M-02100-0102	M-02100-0202
Blue	M-02100-0303	M-02100-0403	M-02100-0103	M-02100-0203
Yellow	M-02100-0304	M-02100-0404	M-02100-0104	M-02100-0204
Green	M-02100-0305	M-02100-0405	M-02100-0105	M-02100-0205
Coral	M-02100-0306	M-02100-0406	M-02100-0106	M-02100-0206
Purple	M-02100-0307	M-02100-0407	M-02100-0107	M-02100-0207
Orange	M-02100-0308	M-02100-0408	M-02100-0108	M-02100-0208
Blue	M-02100-0309	M-02100-0409	M-02100-0109	M-02100-0209
Teal	M-02100-0310	M-02100-0410	M-02100-0110	M-02100-0210
Powder Blue	M-02100-0311	M-02100-0411	M-02100-0111	M-02100-0211
Pink	M-02100-0312	M-02100-0412	M-02100-0112	M-02100-0212
Amber	M-02100-0313	M-02100-0413	M-02100-0113	M-02100-0213

Coin Acceptor Selections

Coin Mechanisms, Inc. RFI CC-16,

BALLY PART#	COIN MECH. P/N	COMMON COINS USED	STYLE	COIN WEIGHT IN GRAMS	COIN DIAMETER IN INCHES	COIN THICKNESS IN INCHES
E-00887-0201	66160047	\$.05 & \$.25 US	S	4.4 TO 6.8	.700 TO 1.250	.085 MAX
E-00887-0202	66160055	\$5.00 & \$25.00 TOKEN	WB	19.7 & UP	1.550 TO 1.950	.130 MAX
E-00887-0203	66160056	\$1.00 US	S	19.7 & UP	.700 TO 1.550	.115 MAX
E-00887-0204	66160084	\$10.00 TOKEN	WB	19.7 & UP	1.550 TO 1.950	.140 MAX
E-00887-0205	66160085	\$.50 US & 5FF	S	4.4 TO 6.8	.770 TO 1.550	.085 MAX
E-00887-0206	66160078		S	6.9 TO 19.6	.770 TO 1.550	.130 MAX
E-00887-0207	66160093	\$4.00 TOKEN	S	---	---	---
E-00887-0208	66160099	\$100.00 TOKEN	WB	19.7 & UP		.130 MAX
E-00887-0209	66160104	\$.10 US	S	---	---	---
E-00887-0210	66160150	\$.50 ESC TOKEN	S	5.5 TO 7.4	.700 TO 1.250	.140 MAX

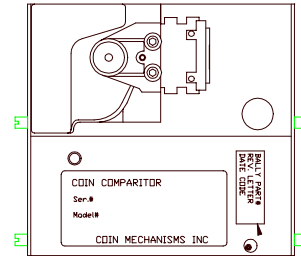
GREEN LED INDICATES RFI COIN MECH.



Coin Mechanisms, Inc. IC-16

LEGEND

ASSEMBLY NUMBER	DESCRIPTION	PART NO.
E-00887-1001	COIN COMP. IC-16 SM. WB. 24DC 1.750 X .1200 D, \$5.00 S55	65160009
E-00887-1002	COIN COMP. IC-16 SM. WB. 24DC 1.700 X .1200 R, \$20.00 S55	65160019
E-00887-1003	COIN COMP. IC-16 SM. WB. 24DC 1.750 X .1200 R, \$100.00 S55	65160020
E-00887-1004	COIN COMP. IC-16 SM. WB. 24DC 1.700 X .1200 R, \$10.00 S55	65160023
E-00887-1005	COIN COMP. IC-16 SM. WB. 24DC 1.700 X .1200 D, \$10.00 S55	65160025
E-00887-1006	COIN COMP. IC-16 SM. WB. 24DC 1.650 X .1200 D, \$20.00 S55	65160031
E-00887-1007	COIN COMP. IC-16 SM. WB. 24DC 1.700 X .1200 R, \$10.00 S55	65160032
E-00887-1008	COIN COMP. IC-16 SM. WB. 24DC 1.750 X .1200 D, \$5.00 S55	65160033
E-00887-1009	COIN COMP. IC-16 SM. WB. 24DC 1.650 X .1200 D, \$20.00 S55	65160041
E-00887-1010	COIN COMP. IC-16 SM. WB. 24DC 1.875 X .1000 R, \$25.00 S55	65160044
E-00887-1011	COIN COMP. IC-16 SM. WB. 24DC 1.600 X .8500 D, \$100.00 S55	65160045
E-00887-1012	COIN COMP. IC-16 SM. WB. 24DC 1.700 X .1200 R, \$10.00 S55	65160049
E-00887-1013	COIN COMP. IC-16 SM. WB. 24DC 1.650 X .1200 D, \$20.00 S55	65160051
E-00887-1014	COIN COMP. IC-16 SM. WB. 24DC 1.650 X .1200 D, \$20.00 S55	65160052
E-00887-1015	COIN COMP. IC-16 SM. WB. 24DC 1.812 X .1150 D, \$50.00 S55	65160053
E-00887-1016	COIN COMP. IC-16 SM. WB. 24DC 1.750 X .1200 D, \$5.00 S55	65161028
E-00887-1017	COIN COMP. IC-16 SM. WB. 24DC 1.750 X .1200 D, \$5.00 S6K	65161042
E-00887-1018	COIN COMP. IC-16 SM. WB. 24DC 1.700 X .1350 R, \$10.00 S6K	65161043
E-00887-1019	COIN COMP. IC-16 SM. WB. 24DC 1.654 X .0960 R, \$20.00 S6K	65161044
E-00887-1020	COIN COMP. IC-16 SM. WB. 24DC 1.600 X .0800 R, \$100.00 S6K	65161045
E-00887-1021	COIN COMP. IC-16 SM. WB. 24DC 1.750 X .1200 R, \$5.00 S6K	65161051
E-00887-1022	COIN COMP. IC-16 SM. WB. 24DC 1.700 X .1350 R, \$10.00 S6K	65161052
E-00887-1023	COIN COMP. IC-16 SM. WB. 24DC 1.850 X .1050 R, \$25.00 S6K	65161053
E-00887-1024	COIN COMP. IC-16 SM. WB. 24DC 1.600 X .0800 R, \$100.00 S6K	65161054
E-00887-1025	COIN COMP. IC-16 SM. WB. 24DC 1.549 X .0900 R, \$500.00 S6K	65161055
E-00887-1026	COIN COMP. IC-16 SM. WB. 24DC 1.850 X .1080 R, \$1K S6K	65161056
E-00887-1027	COIN COMP. IC-16 SM. WB. 24DC 1.750 X .1200 R, \$5.00 S6K	65161031



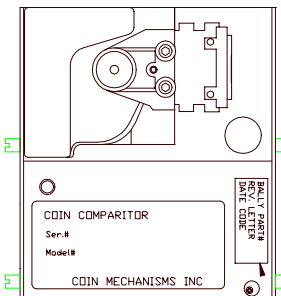
COIN COMPARITOR DESCRIPTION LEGEND

MODEL NUMBER I.C.-16 OR I.C.-62
 SENSOR OPTION SM.=SMARTMARK(BARCODE)
 NM.=NO MARK(NO SENSOR)
 BODY SIZE WB=WIDE BODY, NB=NARROW BODY
 OPERATING VOLTAGE 24DC OR 12DC
 COIN DIM. (DIAMETER X THICKNESS)
 COIL TYPE R=REGULAR SEAT (SINGLE ALLOY TOKEN)
 D=DEAP SEAT (TWO PIECE TOKEN)
 CASINO= WINDSOR
 DENOMINATION-\$2.00 TOKEN

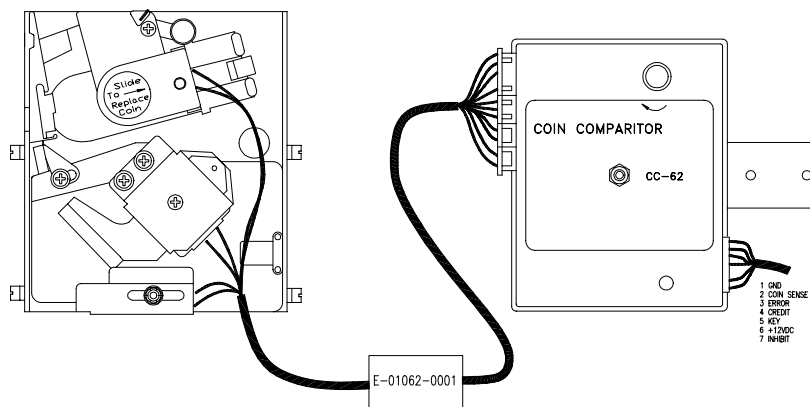
Coin Mechanisms, Inc. IC-16 (cont.)

LEGEND

ASSEMBLY NUMBER	DESCRIPTION	PART NO.
E-00887-1051	COIN COMP. IC-16 SM. NB. 24DC .9860 X .0700 R, 25c	S55 65160003
E-00887-1052	COIN COMP. IC-16 SM. NB. 24DC 1.340 X .1000 R, \$1.00	S55 65160006
E-00887-1053	COIN COMP. IC-16 SM. NB. 24DC 1.340 X .1000 R, \$2.00	S55 65160014
E-00887-1054	COIN COMP. IC-16 SM. NB. 24DC 1.470 X .1010 R, \$5.00	S55 65160015
E-00887-1055	COIN COMP. IC-16 SM. NB. 24DC 1.470 X .1010 R, \$1.00	S55 65160034
E-00887-1056	COIN COMP. IC-16 SM. NB. 24DC 1.240 X .0750 R, 50c	S55 65160035
E-00887-1057	COIN COMP. IC-16 SM. NB. 24DC 1.340 X .1000 R, \$2.00	S55 65160042
E-00887-1058	COIN COMP. IC-16 SM. NB. 24DC 1.340 X .1000 R, \$2.00	S55 65160047
E-00887-1059	COIN COMP. IC-16 SM. NB. 24DC 1.470 X .1010 R, \$1.00	S55 65160056
E-00887-1060	COIN COMP. IC-16 VS. NS. 24DC 1.470 X .1010 R, \$1.00	S55 65161005
E-00887-1061	COIN COMP. IC-16 SM. NB. 24DC 1.470 X .1010 R, \$1.00	S55 65161026
E-00887-1062	COIN COMP. IC-16 SM. NB. 24DC 1.340 X .1000 R, \$2.00	S55 65161027
E-00887-1063	COIN COMP. IC-16 SM. NB. 24DC 1.470 X .1010 R, \$1.00	S55 65161034
E-00887-1064	COIN COMP. IC-16 SM. NB. 24DC 1.469 X .1010 R, \$1.00	S6K 65161040
E-00887-1065	COIN COMP. IC-16 SM. NB. 24DC 1.340 X .1000 R, \$2.00	S6K 65161041
E-00887-1066	COIN COMP. IC-16 SM. NB. 24DC 1.469 X .1010 R, \$1.00	S6K 65161049
E-00887-1067	COIN COMP. IC-16 SM. NB. 24DC 1.340 X .1000 R, \$2.00	S6K 65161050
E-00887-1068	COIN COMP. IC-16 SM. NB. 24DC 1.469 X .1010 R, \$1.00	S6K 65161080
E-00887-1069	COIN COMP. IC-16 SM. NB. 24DC 1.340 X .1000 R, \$2.00	S6K 65161083



Coin Mechanisms, Inc. CC-62





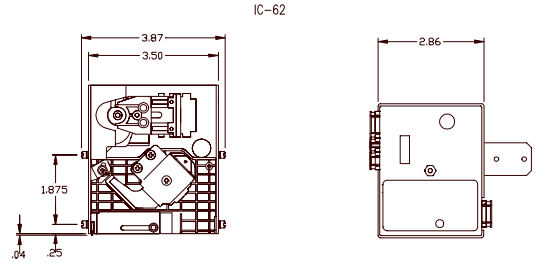
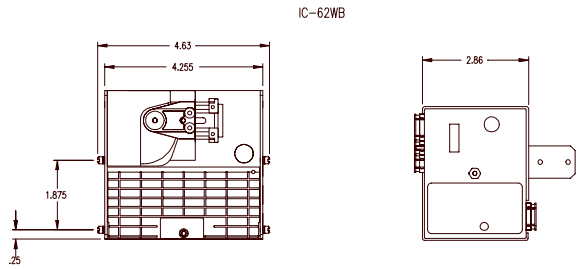
Coin Mechanisms, Inc. IC-62

COIN ACCEPTOR DESCRIPTION LEGEND

MODEL NUMBER I.C.-16 OR I.C.-62
 SENSOR OPTION SM.=SMARTMARK(BARCODE)
 NM.=NO. MARK(NO SENSOR)
 BODY SIZE WB=WIDE BODY, NB=NARROW BODY
 OPERATING VOLTAGE 24DC OR 12DC
 COIN DIM. (DIAMETER X THICKNESS)
 COIL TYPE R=REGULAR SEAT (SINGLE ALLOY TOKEN)
 D=DEAP SEAT (TWO PIECE TOKEN)
 CASINO= WINDSOR
 DENOMINATION-\$2.00 TOKEN

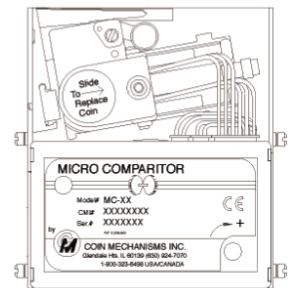
LEGEND

ASSEMBLY NUMBER	DESCRIPTION	PART NO.
E-00887-1076	COIN COMP. IC-62 SM. NB. 12DC .9860 X .0700 R, 25c	65620002
E-00887-1077	COIN COMP. IC-62 SM. NB. 12DC 1.340 X .1000 R, \$1.00	65620003
E-00887-1078	COIN COMP. IC-62 SM. WB. 12DC 1.750 X .1200 D, \$5.00	65620001
E-00887-1079	COIN COMP. IC-62 SM. WB. 12DC 1.600 X .8500 D, \$100.00	65620006
E-00887-1080	COIN COMP. IC-62 SM. WB. 12DC 1.875 X .1000 R, \$25.00	65620007
E-00887-1081	COIN COMP. IC-62 NM. WB. 12DC 1.750 X .1200 D, \$5.00	65620009
E-00887-1082	COIN COMP. IC-62 SM. NB. 12DC 1.470 X .1010 R, \$1.00	65620010
E-00887-1083	COIN COMP. IC-62 SM. NB. 12DC 1.470 X .1010 R, \$1.00	65620012
E-00887-1084	COIN COMP. IC-62 SM. WB. 12DC 1.700 X .1350 R, \$10.00	65621001
E-00887-1085	COIN COMP. IC-62 SM. WB. 12DC 1.654 X .0960 R, \$20.00	65621002



Coin Mechanisms, Inc. MC-62

BALLY PART NO.	COIN MECHANISMS PART NO.	DAMPER WEIGHT	DEMONINATION
E-00887-4601	66460011	6 gram	.25¢ QUARTER
E-00887-4602	66460037	.7 gram	.10¢ DIME
E-00887-4603	66460039	.7 gram	.01¢ PENNY
E-00887-4604	66460063	14.2 gram	\$5 WIDE BODY TOKEN
E-00887-4605	66460064	14.2 gram	50¢ & DOLLAR TOKEN
E-00887-4606	66460065	2.6 gram	5¢ NICKEL
E-00887-4607	66460097	6 gram	RUSSIAN ROUBLE
E-00887-4608	66460111	14.0 gram	50 ESCOBAR



Coin Controls, Inc. Condor

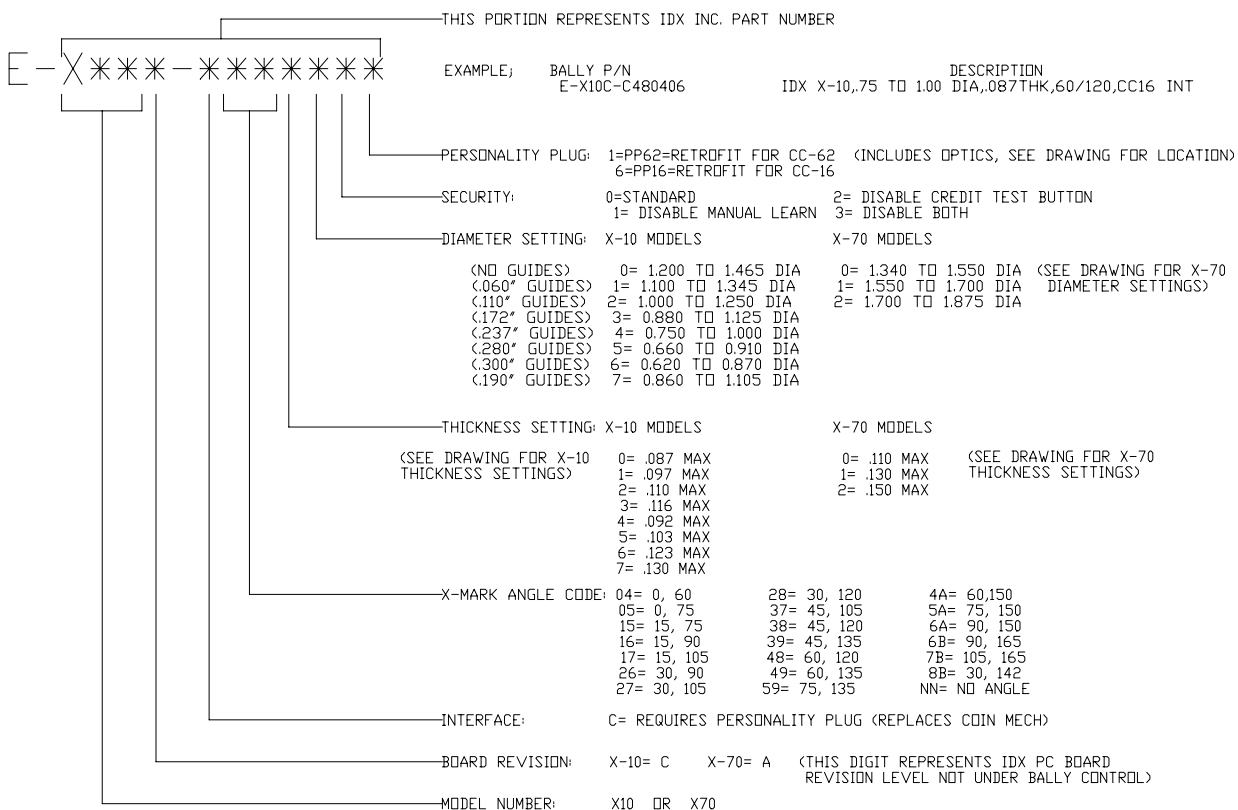


BALLY PART NO.	COIN CONTROL PART NO.	MODEL NUMBER	DEMONINATION	COIN SIZE	COMPATIBILITY	PROGRAM	COUNTRY
E-00887-2001	54-1000-32	CN101ZA-17	.50c TOKEN	22 X 2.0 MM	CC16	FIXED	SOUTH AFRICA
E-00887-2002	54-1000-30	CN101ZA-17	.25c	20 X 1.7 MM	CC16	FIXED	SOUTH AFRICA
E-00887-2003	54-1000-31	CN101ZA-17	.50c TOKEN	22 X 1.87 MM	CC16	FIXED	SOUTH AFRICA
E-00887-2004	54-1000-33	CN101ZA-17	1 RAND TOKEN	27.84 X 2.27 MM	CC16	FIXED	SOUTH AFRICA
E-00887-2005	54-1000-34	CN101ZA-17	1 RAND	24 X 2.0 MM	CC16	FIXED	SOUTH AFRICA
E-00887-2006	54-1000-35	CN101ZA-17	2 RAND	23 X 2.6 MM	CC16	FIXED	SOUTH AFRICA
E-00887-2007	54-2001-29	CN103-1	ANY	UP TO 32 X 2.8 MM	CC16	PROGRAMMABLE	ANY
E-00887-2008	54-3001-13	CN133-13	ANY	UP TO 32 X 2.8 MM	CC62	PROGRAMMABLE	ANY
E-00887-2009	54-3001-14	CN133-14	ANY	UP TO 38 X 2.8 MM	CC62	PROGRAMMABLE	ANY
E-00887-2010	54-2000-47	CN101ZA-17	5 RAND TOKEN	26 X 1.8 MM	CC16	FIXED	SOUTH AFRICA
E-00887-2011	54-1000-17	CN133A-33	\$1 AUD	25 X 2.7 MM	CC16	FIXED	AUSTRALIA
E-00887-2012	54-2001-04	CN101-2	ANY	UP TO 38 X 2.8 MM	CC16	PROGRAMMABLE	ANY
E-00887-2013	54-1001-02	CN103ZA-17	"MONTE CARLO" 50c	22 X 1.85 MM	CC16	FIXED	SOUTH AFRICA
E-00887-2014	54-1001-03	CN103ZA-17	"MONTE CARLO" 1 RAND	24 X 2.0 MM	CC16	FIXED	SOUTH AFRICA
E-00887-2015	54-1001-04	CN103ZA-17	"MONTE CARLO" 2 RAND	23 X 2.6 MM	CC16	FIXED	SOUTH AFRICA
E-00887-2016	54-1001-05	CN103ZA-17	"MONTE CARLO" 5 RAND	26 X 2.4 MM	CC16	FIXED	SOUTH AFRICA
E-00887-2017	54-1001-06	CN103ZA-17	"MONTE CARLO" 10 RAND	28.5 X 2.4 MM	CC16	FIXED	SOUTH AFRICA
E-00887-2018	54-1000-685	CN133ZA-29	"MONTE CARLO" 50c	22 X 1.85 MM	CC62	FIXED	SOUTH AFRICA
E-00887-2019	54-1000-741	CN133ZA-29	"MONTE CARLO" 1 RAND	24 X 2.0 MM	CC62	FIXED	SOUTH AFRICA
E-00887-2020	54-1000-751	CN133ZA-29	"MONTE CARLO" 2 RAND	23 X 2.6 MM	CC62	FIXED	SOUTH AFRICA
E-00887-2021	54-1000-761	CN133ZA-29	"MONTE CARLO" 5 RAND	26 X 2.4 MM	CC62	FIXED	SOUTH AFRICA
E-00887-2022	54-1000-771	CN133ZA-29	"MONTE CARLO" 10 RAND	28.5 X 2.4 MM	CC62	FIXED	SOUTH AFRICA

IDX Coin Acceptors



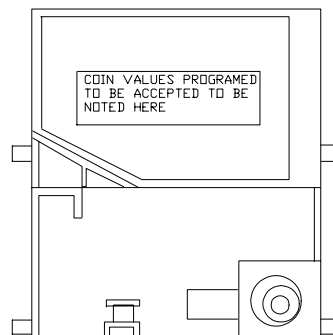
PART NUMBERING STRUCTURE



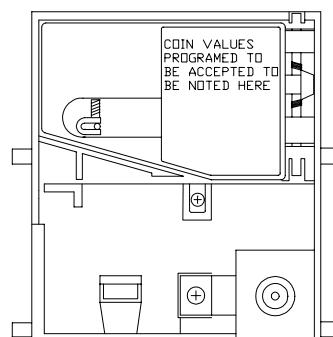
NRI Coin Acceptors

Bally Part #	CH1	CH2	CH3	CH4	CH5	CH6
E-00887-0041					5¢ US	
E-00887-0042						10¢ US
E-00887-0043	25¢ US					
E-00887-0044	25¢ US	25¢ CA	\$1 US	1\$ CA	5¢ US	50¢ US
E-00887-0045			\$1 US			
E-00887-0046						5¢ CA
E-00887-0047		25¢ CA				
E-00887-0048				1\$ CA		
E-00887-0049	25¢ US	25¢ CA	\$1 US	1\$ CA	5¢ US	5¢ CA
E-00887-0050	25¢ US	25¢ CA	\$1 US	1\$ CA		
E-00887-0051	25¢ US	25¢ CA	\$1 US	1\$ CA	5¢ US	
E-00887-0052	25¢ US	25¢ CA	\$1 US	1\$ CA	5¢ US	10¢ US
E-00887-0054		25¢ CA		1\$ CA		5¢ CA
E-00887-0055		25¢ CA		1\$ CA		
E-00887-0058	1 KR	5 KR	10 KR			
E-00887-0065	1 DM	2 DM	5 DM	2 FF	5FF	10 FF
E-00887-0066			1 FF	2 FF	5FF	10 FF
E-00887-0067	1 KR	.25 G	1 G	1 mk	1 KR	
E-00887-0068	2 p	1 F	2F			
E-00887-0069	1 \$U	3 \$U				
E-00887-0070	5 mk					
E-00887-0082	1 mk					

NRI

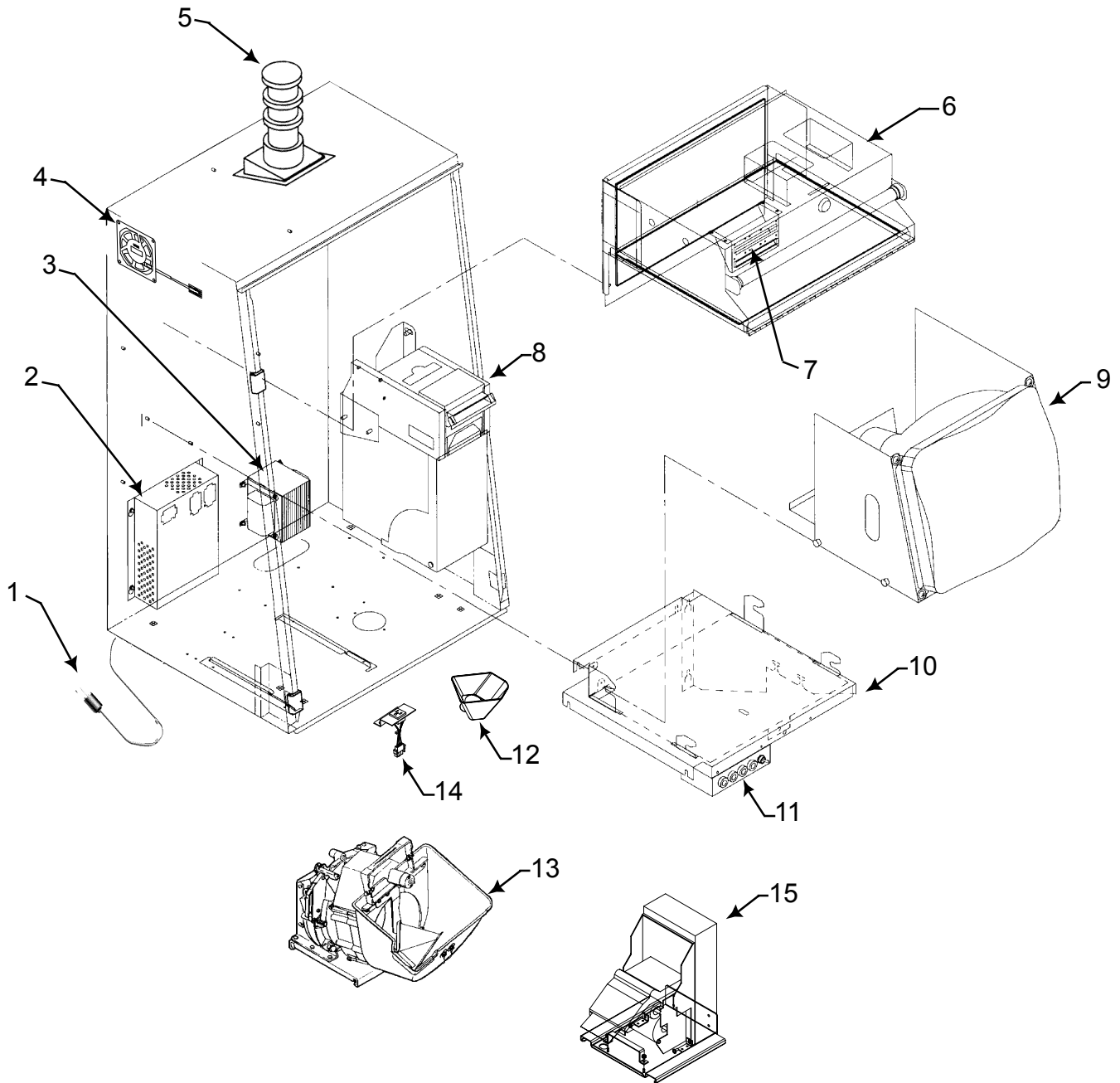


C120



V72xx Parts

V72xx Cabinet Assembly



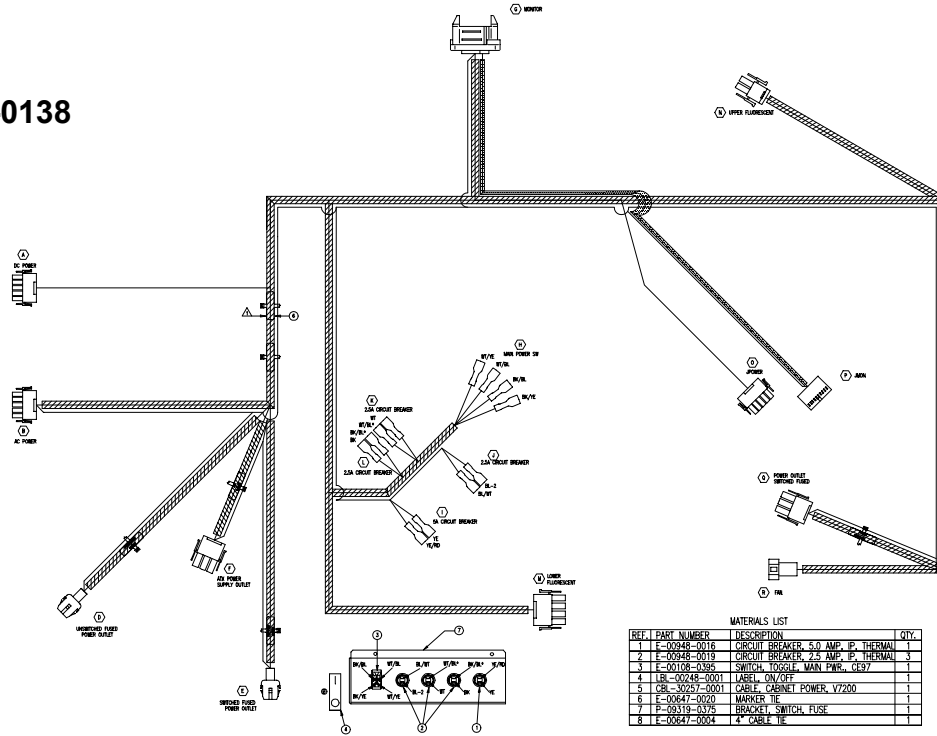


V72xx Cabinet Assembly (cont.)

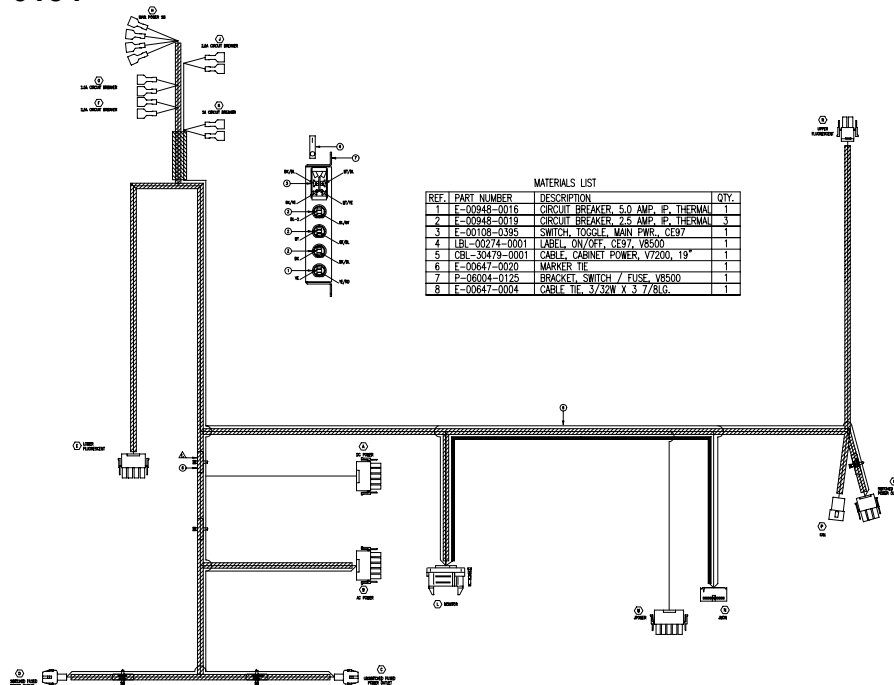
V72xx Cabinet Assembly		
Item	Part #	Description
1	E-00126-0120	Line Cord, Modular, 8ft. (Italy)
	E-00126-0121	Line Cord, Modular, 8ft. Domestic
	E-00126-0122	Line Cord, Modular 2.5 meters, Europe
	E-00126-0123	Line Cord, Modular, 8.167 ft. (UK)
	E-00126-0132	Cord Set, Nema 6-15p, 8ft. Domestic
	E-00126-0157	Cord Set, 8.2ft., BS546/IEC320 (South Africa)
2	AS-04238-0065	PDU Standard (Power Supply), See page 31
3	E-00122-0223	Transformer, 120VAC 50/60 Hz. See page 31
	E-00122-0224	Transformer, 220/240 VAC 50/60 Hz. See page 32
4	E-00664-0499	Fan, Box Type
5	TWR (series)	Tower See page 33
6	AS-04173-0217	Card Rack/Backplane Assembly, V7200. See page 29
	AS-04173-0226	Card Rack/Backplane Assembly, V7217, V7219. See page 29
7	AS-04225-0067	Three Meter Assembly, V7200. See page 35
	AS-04225-0080	Three Meter Assembly, V7217. See page 35
	AS-04225-0081	Three Meter Assembly, V7219. See page 36
8	E-01100-(series)	JCM Bill Acceptor. See page 37
9	E-00832-0085	Monitor, 14" Adjustable, Touch Screen
	E-00832-0089	Monitor, 14", Without Touch Screen
	E-00832-0099	Monitor, 19" Adjustable, Touch Screen
	E-00832-0101	Monitor, 17" Adjustable, Touch Screen
10	AS-04726-0006	Monitor Shelf, V7200
11	AS-03025-0138	Cabinet Power Cable Assembly, V7200. See page 25
	AS-03025-0159	Cabinet Power Cable Assembly, V7217. See page 25
	AS-03025-0154	Cabinet Power Cable Assembly, V7219. See page 26
12	M-03110-0001	Cup, Drop Chute
13	AS-06793-2015	Hopper (0.658/0.747D)
	AS-06793-2008	Hopper (0.748/0.835D)
	AS-06793-2004	Hopper (0.836/0.902D)
	AS-06793-2001	Hopper (0.903/1.011D)
	AS-06793-2003	Hopper (1.012/1.131D)
	AS-06793-2005	Hopper (1.132/1.231D)
	AS-06793-2009	Hopper (1.232/1.303D)
	AS-06793-2012	Hopper (1.304/1.348D)
	AS-06793-2014	Hopper (1.349/1.397D)
	AS-06793-2002	Hopper (1.398/1.500D)
	AS-06793-2011	Hopper (1.501/1.580D)
	AS-06793-2010	Hopper (1.581/1.648D)
	AS-06793-2013	Hopper (1.649/1.685D)
	AS-06793-2006	Hopper (1.686/1.783D)
14	AS-03268-0003	Convenience Outlet, IT
	AS-03268-0004	Convenience Outlet, US
	AS-03268-0008	Convenience Outlet, UK
	E-00664-447A	Convenience Outlet, EUROPE
15	AS-04185-0017	Ithaca Printer with Presenter
Not Shown	R-00409-0005	Bumper, Door Stop
	S-00601-0001	Bushing, Door Latch
	S-00602-0001	Mount, Door Latch Bushing
	AS-03335-0403	Starter/Ballast Assembly, 120VAC 60 Hz. V7200. See page 27
	AS-03335-0402	Starter/Ballast Assembly, 220VAC 50/60 Hz. V7200. See page 28
	AS-03335-0404	Starter/Ballast Assembly, 120VAC 60 Hz. V7219. See page 27
	AS-03335-0405	Starter/Ballast Assembly, 220VAC 50/60 Hz. V7219. See page 28
	E-00664-0466	Bell and Receptacle See page 32
	AS-04231-0119	MPUBoard/Tray Assembly, V7200 See Page 30

Cabinet Power Cable Assembly

V7200
AS-03025-0138

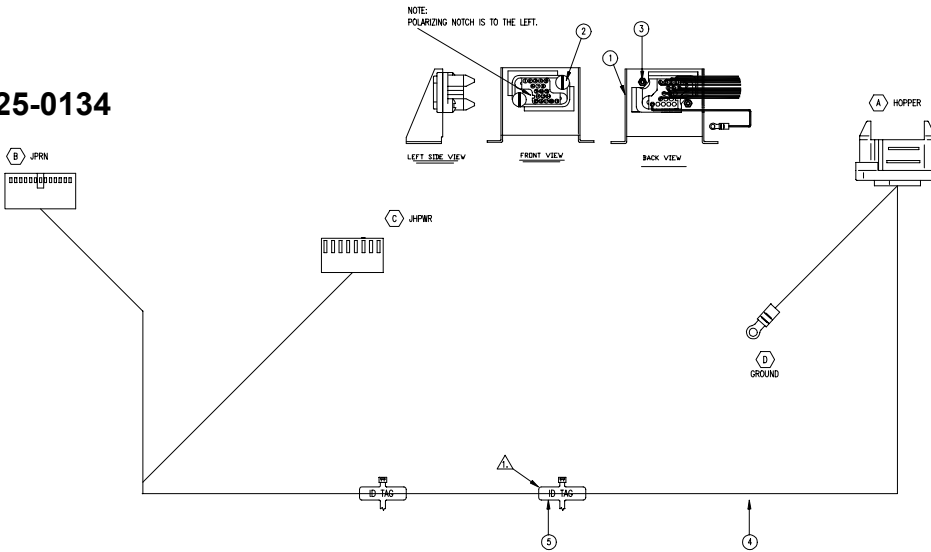


V7219
AS-03025-0154



Hopper Cable Assembly

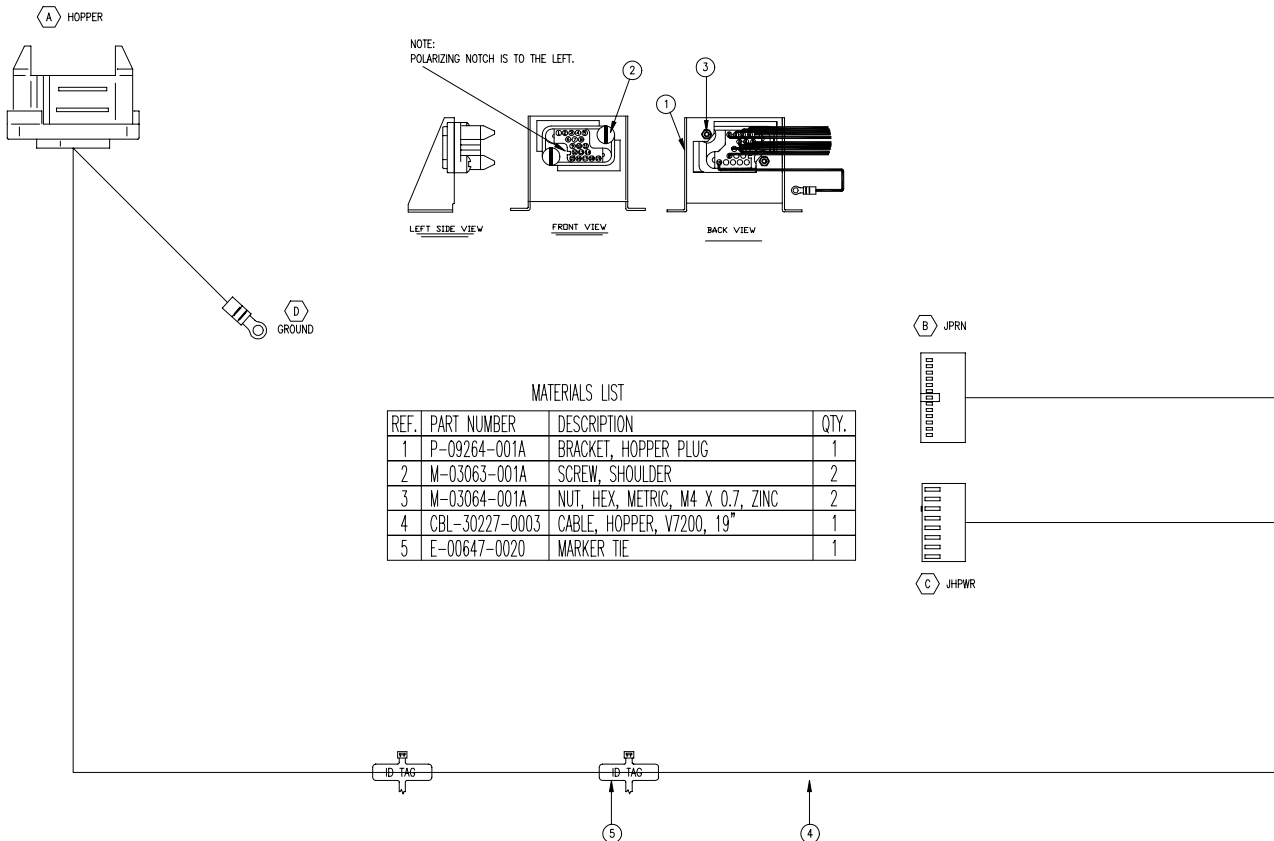
V7200
S-03025-0134



MATERIALS LIST

REF.	PART NUMBER	DESCRIPTION	QTY.
1	P-09264-001A	BRACKET, HOPPER PLUG	1
2	M-03063-001A	SCREW, SHOULDER	2
3	M-03064-001A	NUT, HEX, METRIC, M4 X 0.7, ZINC	2
4	CBL-30227-0001	CABLE, HOPPER	1
5	E-00647-0020	MARKER TIE	1

V7219
AS-03025-0155



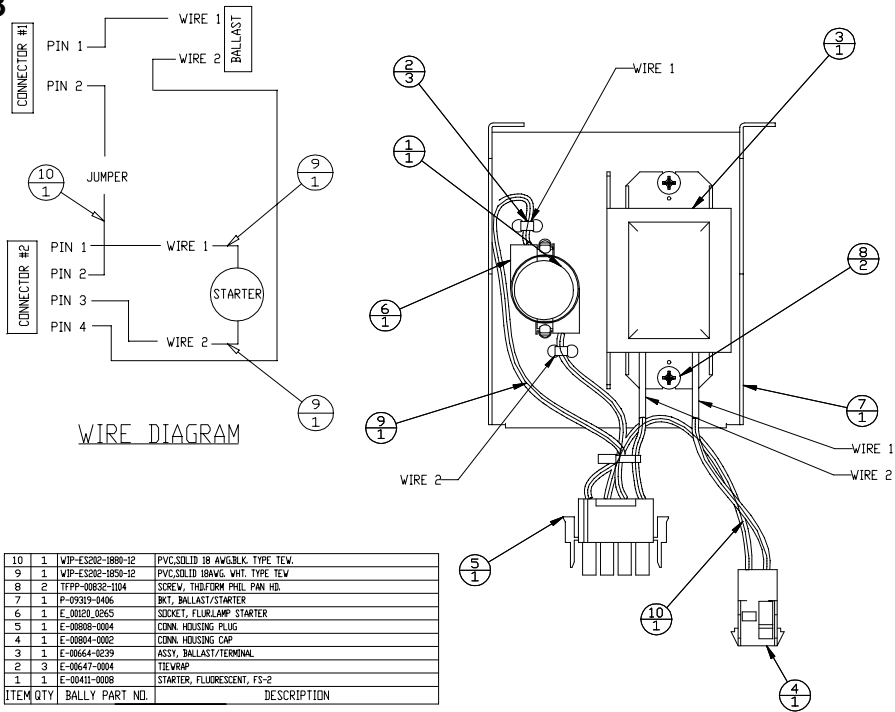
MATERIALS LIST

REF.	PART NUMBER	DESCRIPTION	QTY.
1	P-09264-001A	BRACKET, HOPPER PLUG	1
2	M-03063-001A	SCREW, SHOULDER	2
3	M-03064-001A	NUT, HEX, METRIC, M4 X 0.7, ZINC	2
4	CBL-30227-0003	CABLE, HOPPER, V7200, 19"	1
5	E-00647-0020	MARKER TIE	1

Starter/Ballast Assembly, 120VAC 60 Hz.

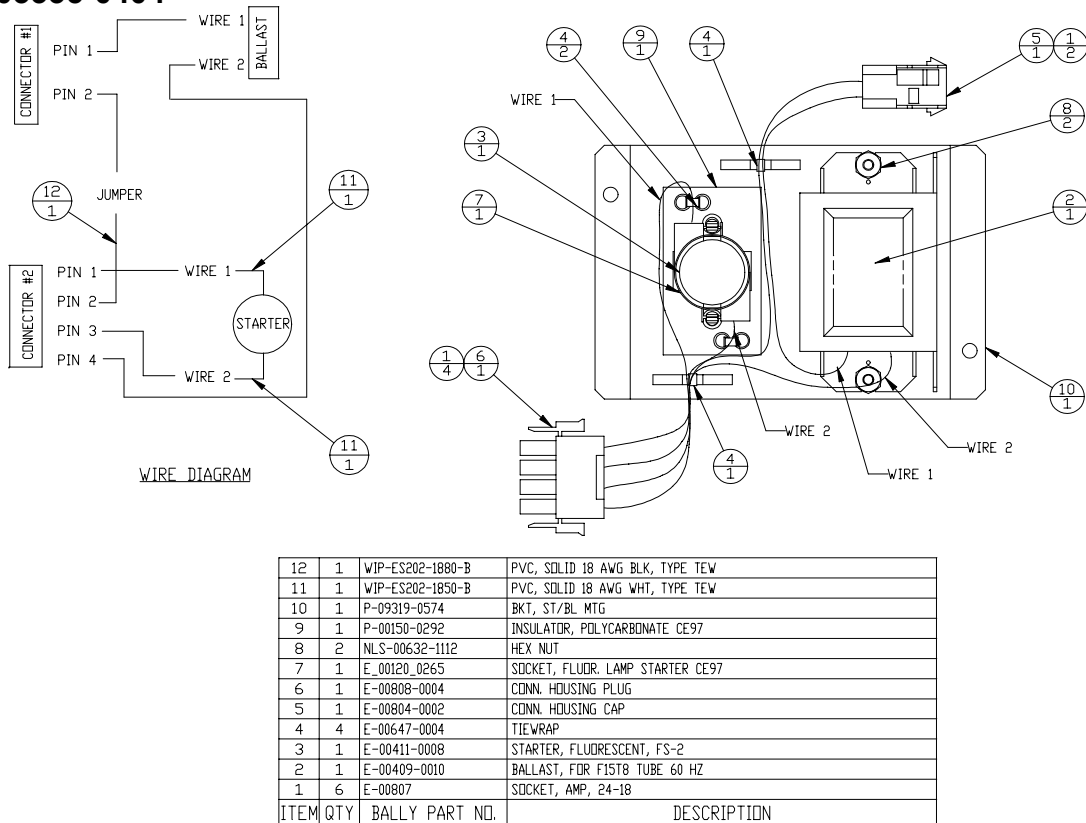
V7200

AS-03335-0403



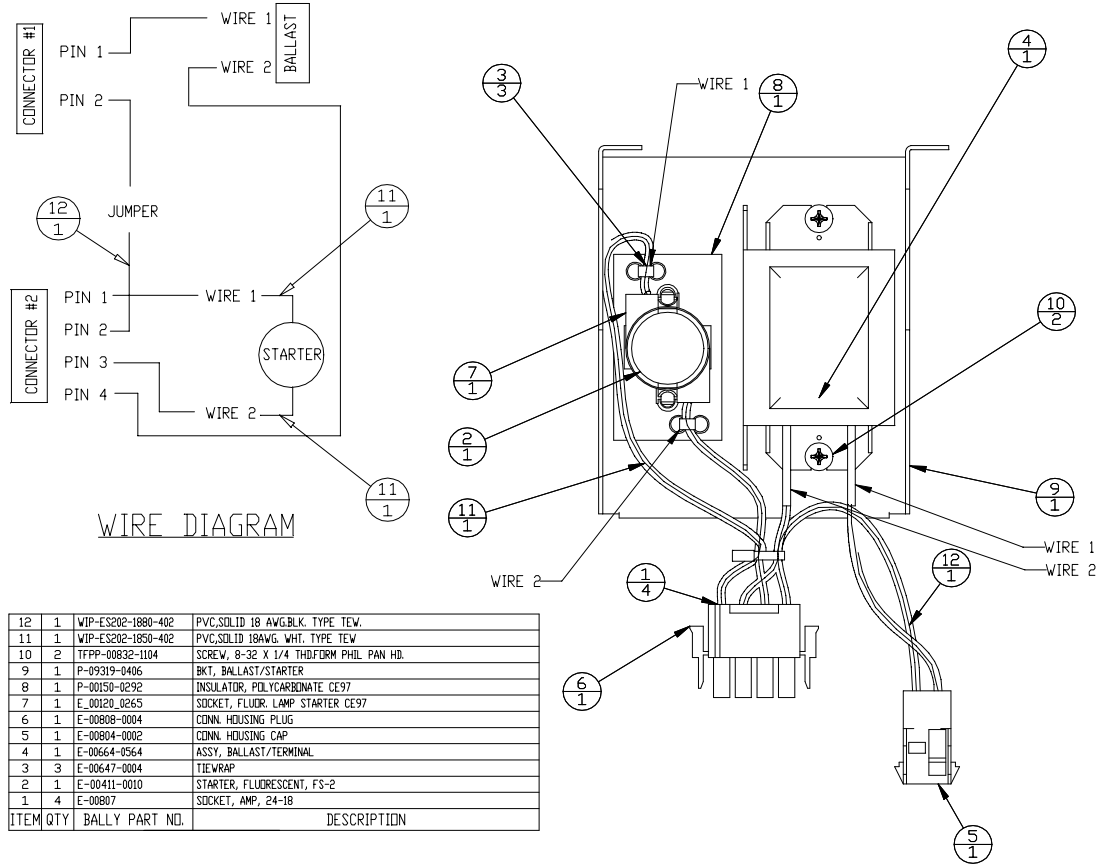
V7219

AS-03335-0404

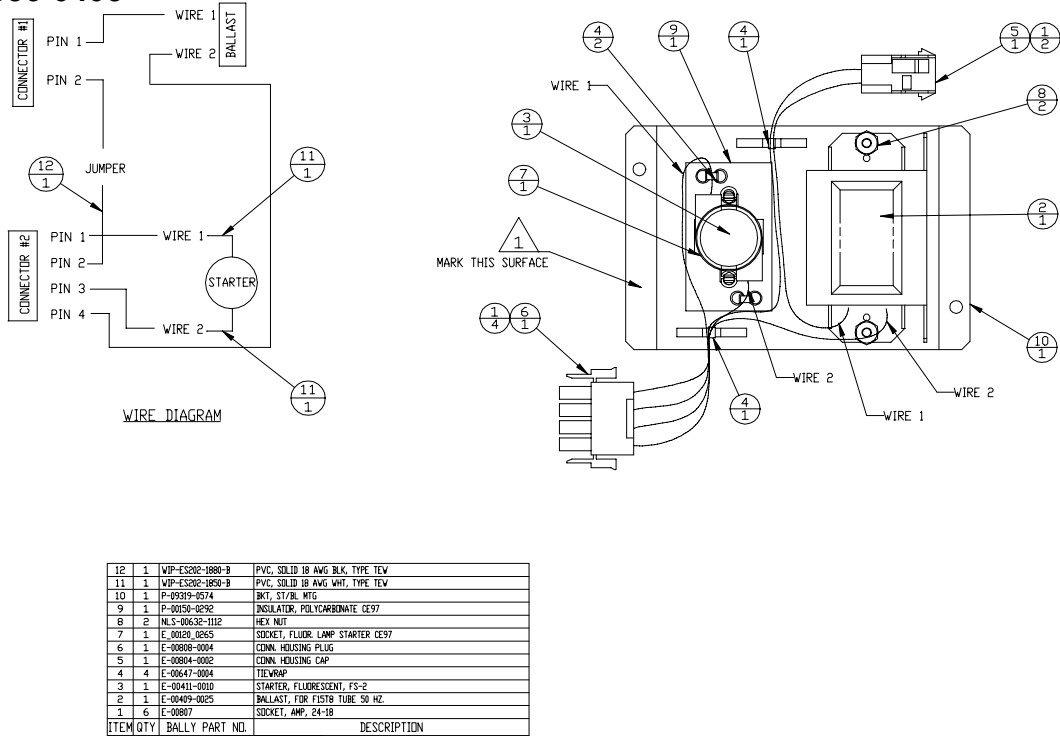


Starter/Ballast Assembly, 220VAC 50 Hz.

**V7200
AS-03335-0402**



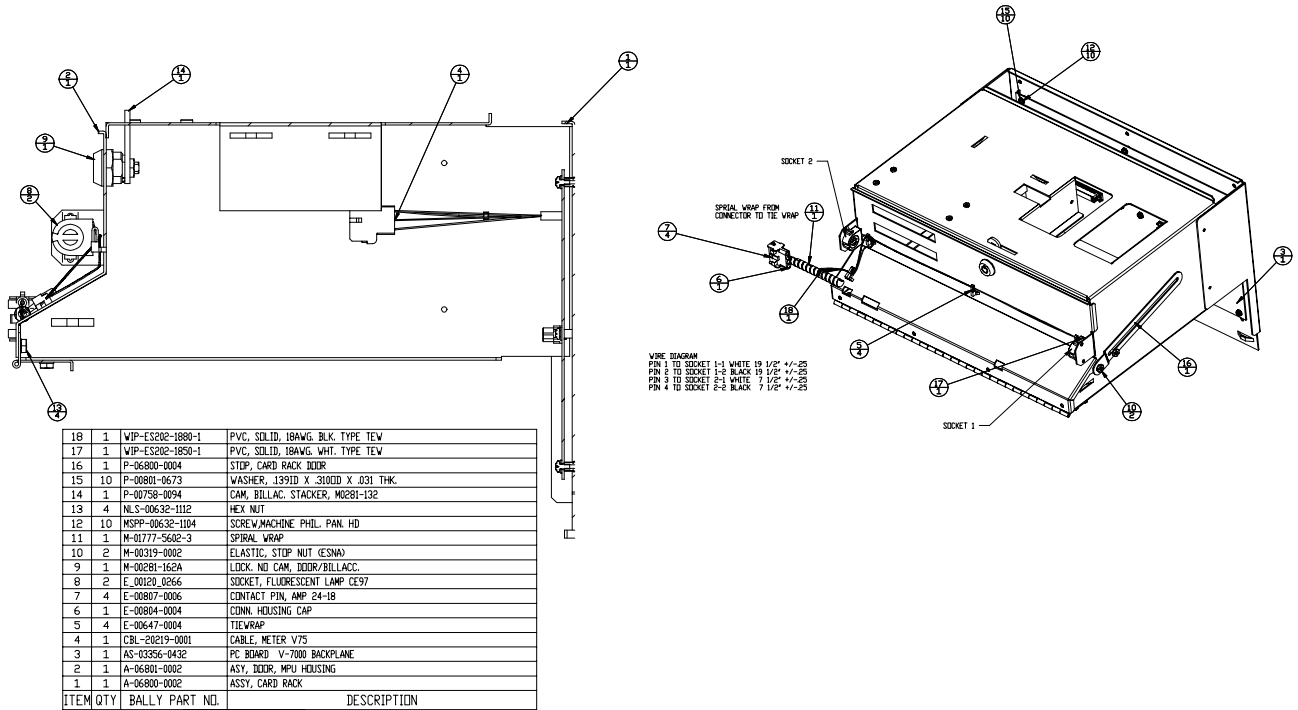
**V7219
AS-03356-0405**



Card Rack/Backplane Assembly

V7200

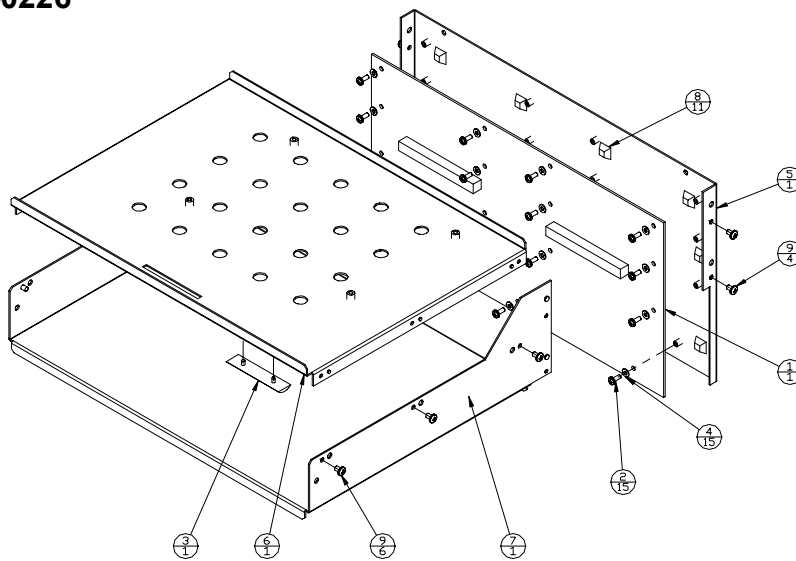
AS-04173-0217



ITEM QTY	BALLY PART NO.	DESCRIPTION
18	1	WIP-E3202-1880-1 PVC, SOLID, 18AWG, BLK. TYPE TEW
17	1	WIP-E3202-1850-1 PVC, SOLID, 18AWG, WHI. TYPE TEW
16	1	P-06800-0004 STOP, CARD RACK DOOR
15	10	P-00801-0673 WASHER, 1391D X .310DD X .031 THK.
14	1	P-00730-0094 CAM, BILLAC. STACKER, M0281-132
13	4	NLS-00632-1112 HEX NUT
12	10	MSPP-00632-1104 SCREW,MACHINE PHIL. PAN. HD
11	1	M-01777-5602-3 SPIRAL WRAP
10	2	M-00319-0002 ELASTIC, STOP NUT (ESNA)
9	1	M-00281-162A LOCK, NO CAM, DOOR/BILLACC.
8	2	E_00120_0266 SOCKET, FLUORESCENT LAMP CE97
7	4	E-00807-0006 CONTACT PIN, AMP 24-18
6	1	E-00804-0004 CONN. HOUSING CAP
5	4	E-00647-0004 TIEWRAP
4	1	CBL-20219-0001 CABLE, METER V73
3	1	AS-03356-0432 PC BOARD V-7000 BACKPLANE
2	1	A-06801-0002 ASSY, DOOR, MPU HOUSING
1	1	A-06800-0002 ASSY, CARD RACK

V7217 & V7219

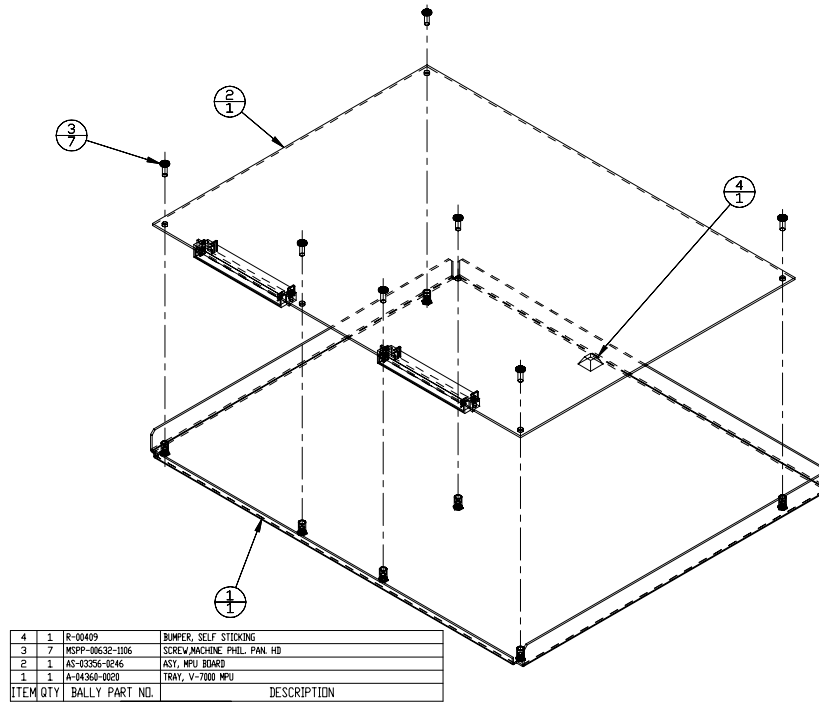
AS-04173-0226



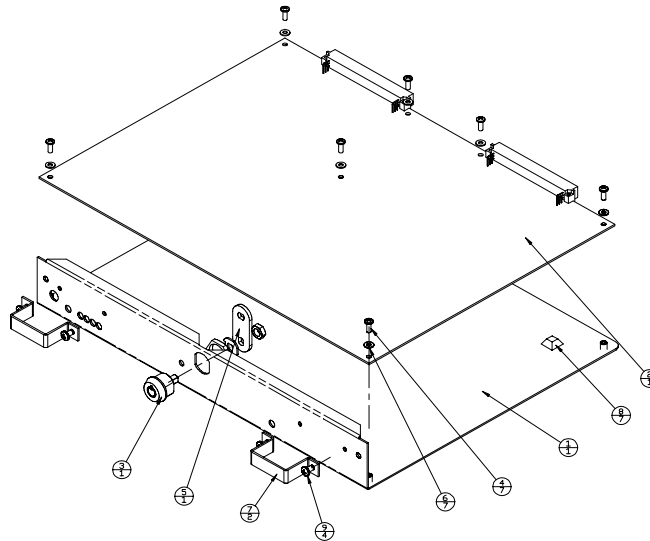
ITEM QTY	BALLY PART NO.	DESCRIPTION
9	10	Tfpp-00832-1104 SCREW, 8-32 X 1/4 THD,FORM PHIL. PAN. HD.
8	11	R-00409 BUMPER
7	1	P-06901-0009 BKT., MTG., SHELF
6	1	P-06901-0008 COVER, MPU
5	1	P-06901-0007 BKT, BACKPLANE MTG.
4	15	P-00801-0673 WASHER, 1391D X .310DD X .031 THK.
3	1	M-03001 STRIP, GROUNDING
2	15	LSPP-00632-1106 SCREW, MACH W/LOCK PHIL. PAN. HD.
1	1	AS-03356-0499 ASSY, BKPLN PCB

MPU Board/Tray Assembly

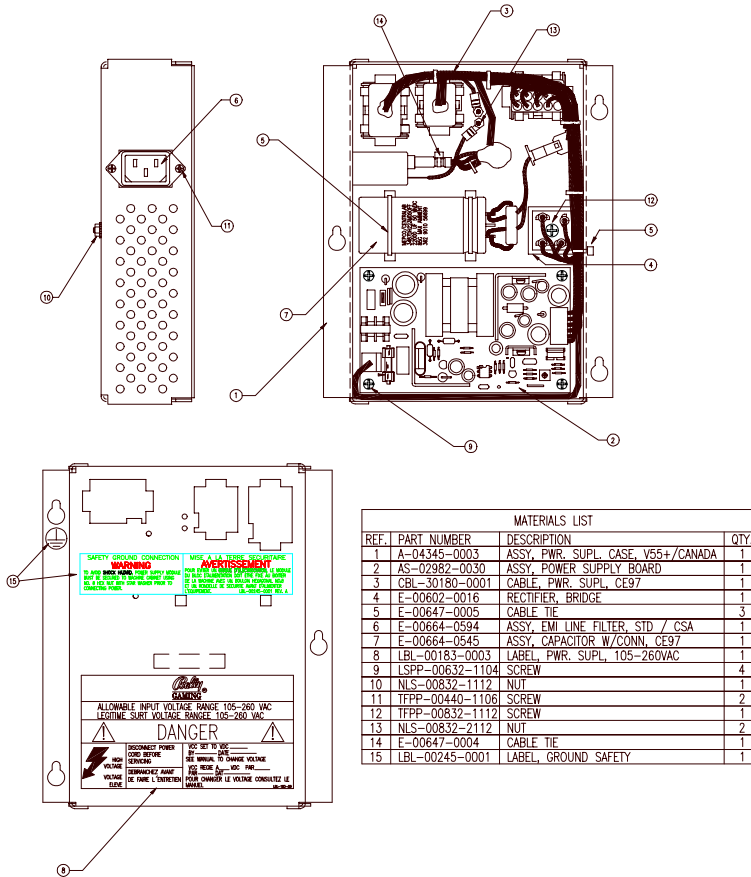
V7200
AS-04231-0119



V7217 & V7219
AS-06902-0007

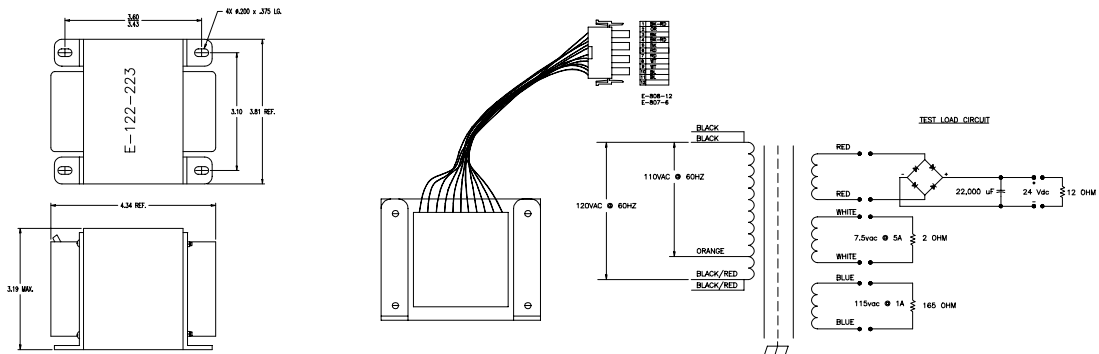


Power Supply AS-04238-0065



MATERIALS LIST			
REF.	PART NUMBER	DESCRIPTION	QTY.
1	A-04345-0003	ASSY. PWR. SUPL. CASE, V55+/CANADA	1
2	AS-02982-0030	ASSY. POWER SUPPLY BOARD	1
3	CBL-30180-0001	CABLE, PWR. SUPL. CE97	1
4	E-00602-0016	RECTIFIER, BRIDGE	1
5	E-00647-0005	CABLE TIE	3
6	E-00664-0594	ASSY. EMI LINE FILTER, STD / CSA	1
7	E-00664-0545	ASSY. CAPACITOR W/CONN. CE97	1
8	LBL-00183-0003	LABEL, PWR. SUPL. 105-260VAC	1
9	LSPP-00632-1104	SCREW	4
10	NLS-00832-1112	NUT	1
11	TFPP-00440-1106	SCREW	2
12	TFPP-00832-1112	SCREW	1
13	NLS-00832-2112	NUT	2
14	E-00647-0004	CABLE TIE	1
15	LBL-00245-0001	LABEL, GROUND SAFETY	1

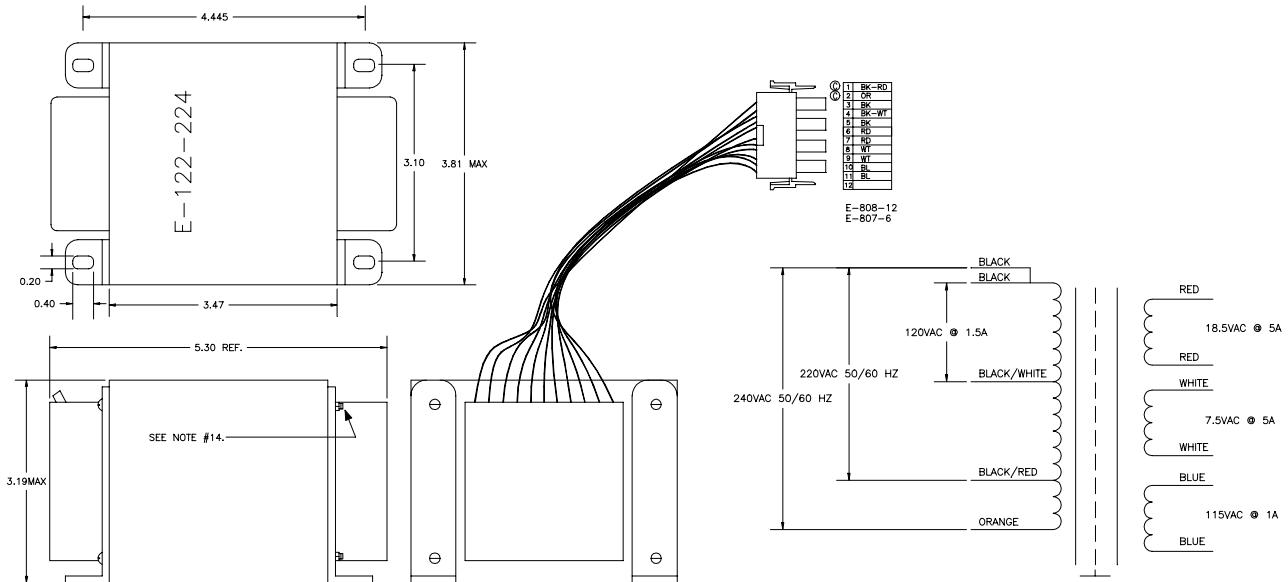
Transformer, 120VAC 50/60 Hz. E-00122-0223



TEST REQUIREMENTS				
PRIMARY AC INPUT	PRIMARY OUTPUT VOLTS	SECONDARY LOAD CURRENT MAX.	SECONDARY VOLTAGE MINIMUM	SECONDARY VOLTAGE MAXIMUM
120 VAC		2 AMPS	23.0 VDC	24.0 VDC
120 VAC		4 AMPS	7.1 VAC	7.9 VAC
120 VAC		0.7 AMPS	109.3 VAC	120.7 VAC

DESIGN REQUIREMENTS				
PRIMARY AC INPUT	PRIMARY OUTPUT VOLTS	SECONDARY LOAD CURRENT MAX.	SECONDARY VOLTAGE	TOLERANCE
110 VAC		2 AMPS	23.5 VDC	±2%
120 VAC		5 AMPS	21.5 VDC	±2%
110 VAC		5 AMPS	7.5 VAC	±0.4 VAC
110 VAC		1 AMPS	115 VAC	±5.7 VAC

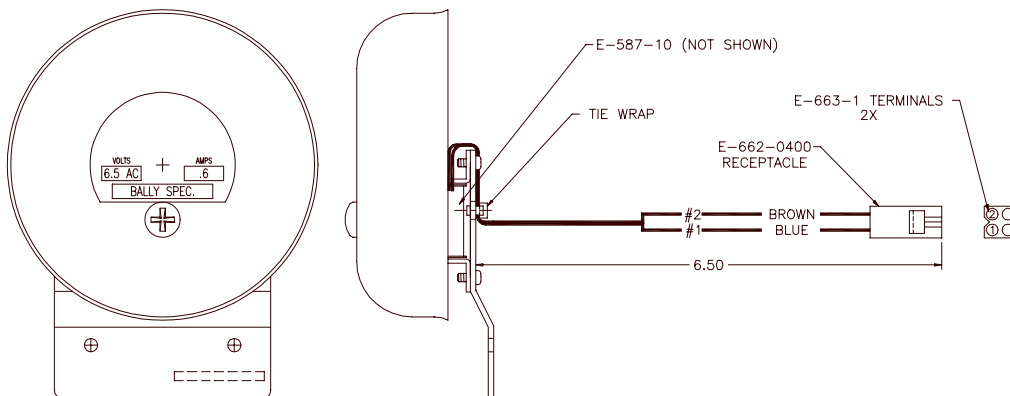
**Transformer, 220VAC 50/60 Hz.
E-00122-0224**



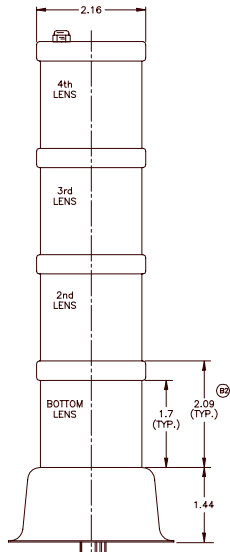
NO LOAD REQUIREMENTS							
PRIMARY	INPUT VOLTAGE	CURRENT LOAD	OUTPUT	OUTPUT VOLTAGE			
				MIN.	NOM.	MAX.	UNITS
BK-BK/RD	220 VAC	0 AMPS	RD-RD	18.0	19.0	20.0	VAC
BK-OR	240 VAC	0 AMPS	WT-WT	7.5	7.8	8.1	VAC
BK-BK/RD	220 VAC	0 AMPS	BL-BL	115	117	118	VAC
BK-OR	240 VAC	0 AMPS	BK-BK/WT	115	120	125	VAC

LOAD REQUIREMENTS							
PRIMARY	INPUT VOLTAGE	CURRENT LOAD	OUTPUT	OUTPUT VOLTAGE			
				MIN.	NOM.	MAX.	UNITS
BK-BK/RD	220 VAC	5 AMPS	RD-RD	17.5	18.5	19.5	VAC
BK-OR	240 VAC	5 AMPS	WT-WT	7.1	7.5	7.9	VAC
BK-BK/RD	220 VAC	1 AMP	BL-BL	109.3	115	120.7	VAC
BK-OR	240 VAC	1.5 AMP	BK-BK/WT	115	120	125	VAC

**Bell & Receptacle
E-00664-0466**



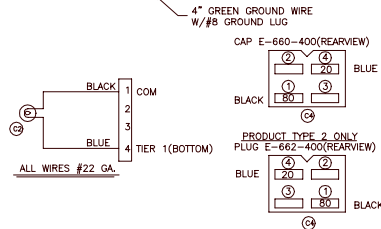
Tower Selections



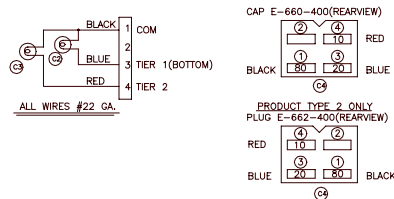
	PRODUCT TYPE		BALLY PART #	MTG. BASE ②	FINISH	LENS COLOR
(1) TWR1	S5000 (6V) V5500 ③ S5500 ④	USE MOLEX CAP NO. 03-09-2049 USE MOLEX PIN NO. 02-09-2101 USE LAMP NO.55 (6-8V) 0.4 AMP	E-660-400 E-661-1③	0-NO BASE FLAT TOP	1-CHROME 2-BRASS	0-NO LENS 1-WHITE 2-RED 3-BLUE 4-YELLOW 5-GREEN 6-CORAL 7-PURPLE 8-ORANGE ⑤ 9-SAPPHIRE BLUE #383⑥
(2) TWR1	V5000 (24V) POKER 2nd CHANCE BLACK JACK KENO	USE MOLEX PLUG NO. 03-09-1049 USE MOLEX PIN NO. 02-09-1102 USE LAMP NO. 313(28V) .17 AMP	E-662-400 E-663-1③	1-WITH BASE ANGLED TOP		
(3) TWR1	OASIS V72	USE MOLEX CAP NO. 03-09-2049 USE MOLEX PIN NO. 02-09-2101 USE LAMP NO.57 (14V) OR ELEC. EQUIV.	E-660-400 E-661-1	*-ROUND TOP SEE CAB. ASSY		

TWR1-01213-6470

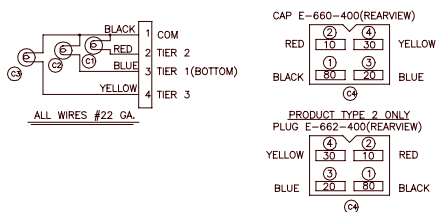
- 4t LENS COLOR UP (SEE CHART) ②
- 3d LENS COLOR UP (SEE CHART)
- 2d LENS COLOR UP (SEE CHART)
- BOTTOM LENS COLOR (SEE CHART)
- NO. OF TIERS
- FINISH (SEE CHART)
- MOUNTING BASE (SEE CHART)
- PRODUCT TYPE (SEE CHART)



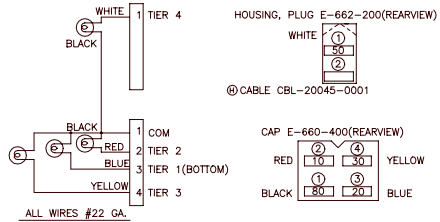
1-TIER TOWER ②



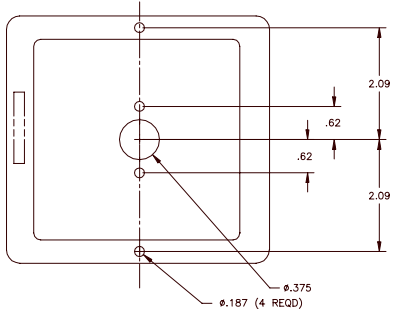
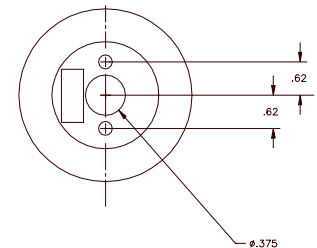
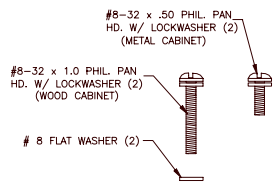
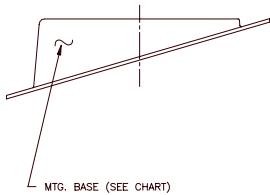
2-TIER TOWER ②



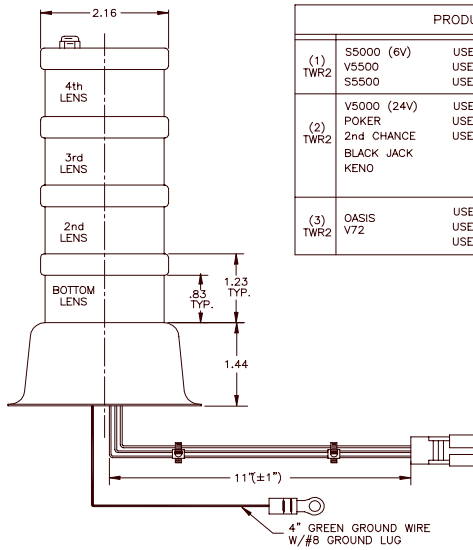
3-TIER TOWER ②



4-TIER TOWER



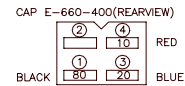
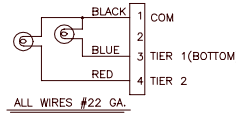
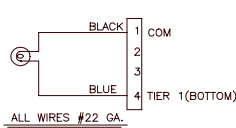
Tower Selections (cont.)



	PRODUCT TYPE	BALLY PART #	MTG. BASE	FINISH	LENS COLOR	
(1) TWR2	S5000 (6V) V5500 S5500	USE MOLEX CAP NO. 03-09-2049 USE MOLEX PIN NO. 02-09-2101 USE LAMP NO.55 (6-8V) 0.4 AMP	E-660-400 E-661-1	0-NO BASE FLAT TOP	1-CHROME 2-BRASS	0-NO LENS 1-WHITE 2-RED 3-BLUE 4-YELLOW 5-GREEN 6-ORANGE (CORAL) ⊕ 7-PURPLE 8-ORANGE (OBSOLETE SEE -6) ⊕ 9-SAPPHIRE BLUE #383 ⊕⊕
(2) TWR2	V5000 (24V) POKER 2nd CHANCE BLACK JACK KENO	USE MOLEX PLUG NO. 03-09-1049 USE MOLEX PIN NO. 02-09-1102 USE LAMP NO. 313(28V) .17 AMP	E-662-400 E-663-1	1-WITH BASE ANGLED TOP	*-ROUND TOP SEE CAB. ASSY	
(3) TWR2	OASIS V72	USE MOLEX CAP NO. 03-09-2049 USE MOLEX PIN NO. 02-09-2101 USE LAMP NO.57 (14V) OR EQUIV.	E-660-400 E-661-1			

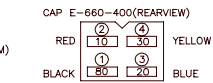
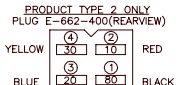
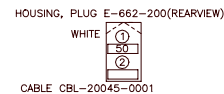
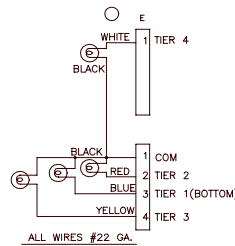
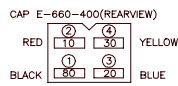
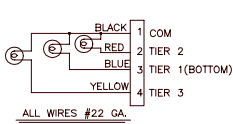
TWR2-01213-6470

- 4t LENS COLOR UP (SEE CHART)
- 3d LENS COLOR UP (SEE CHART)
- 2d LENS COLOR UP (SEE CHART)
- BOTTOM LENS COLOR (SEE CHART)
- NO.OF TIERS
- FINISH (SEE CHART)
- MOUNTING BASE (SEE CHART)
- PRODUCT TYPE (SEE CHART)



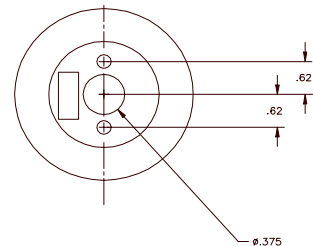
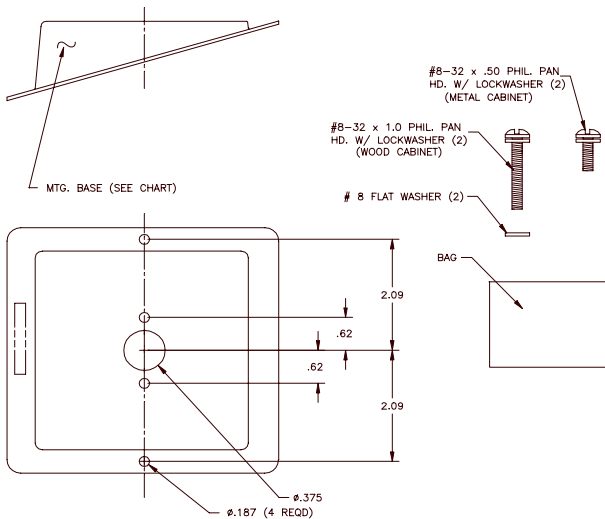
1-TIER TOWER

2-TIER TOWER



3-TIER TOWER

4-TIER TOWER



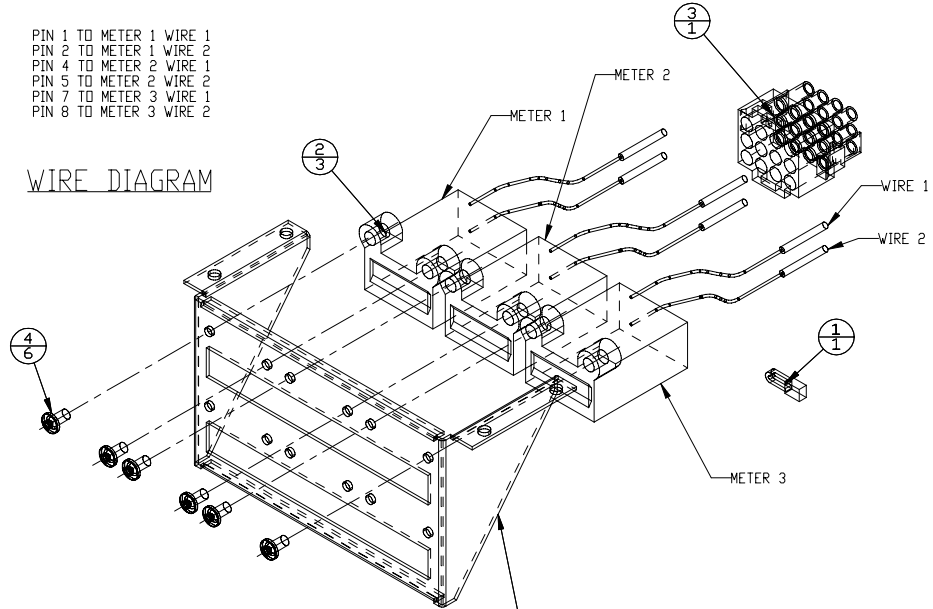
Three Meter Assembly

V7200

AS-04225-0067

PIN 1 TO METER 1 WIRE 1
 PIN 2 TO METER 1 WIRE 2
 PIN 4 TO METER 2 WIRE 1
 PIN 5 TO METER 2 WIRE 2
 PIN 7 TO METER 3 WIRE 1
 PIN 8 TO METER 3 WIRE 2

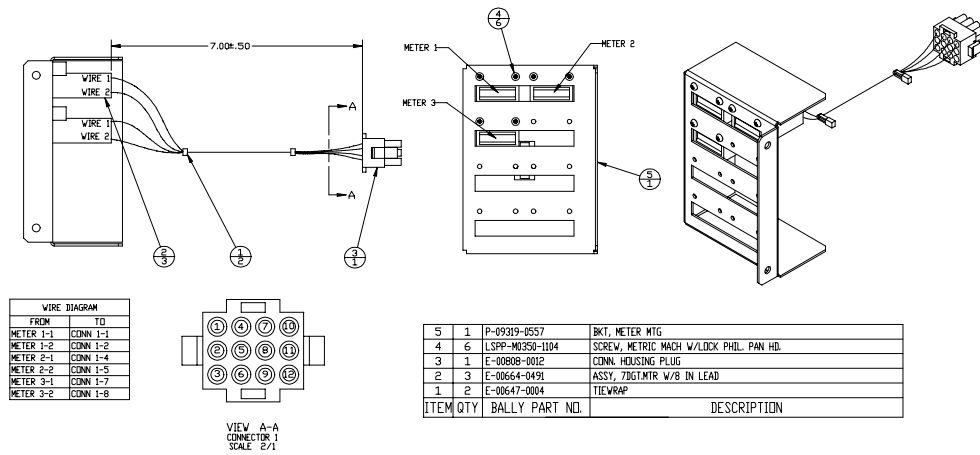
WIRE DIAGRAM



ITEM QTY	BALLY PART NO.	DESCRIPTION
5 1	P-06004-0027	BKT, METER MOUNTING
4 6	LSP-P-M0250-1104	SCREW, METRIC MACH W/LOCK PHIL PAN HD.
3 1	E-00808-0012	CONN. HOUSING PLUG
2 3	E-00664-0491	ASSY, 7 DGT. MTR W/8 IN LEAD
1 1	E-00647-0004	TIEWRAP

V7217

AS-04225-0080



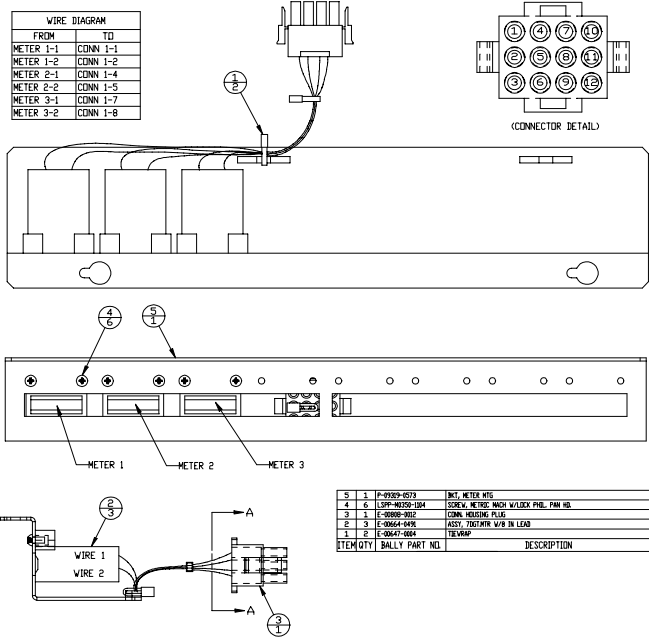
WIRE DIAGRAM	
FROM	TO
METER 1-1	CONN 1-1
METER 1-2	CONN 1-2
METER 2-1	CONN 1-4
METER 2-2	CONN 1-5
METER 3-1	CONN 1-7
METER 3-2	CONN 1-8

VIEW A-A
 CONNECTOR 1
 SCALE 2/1

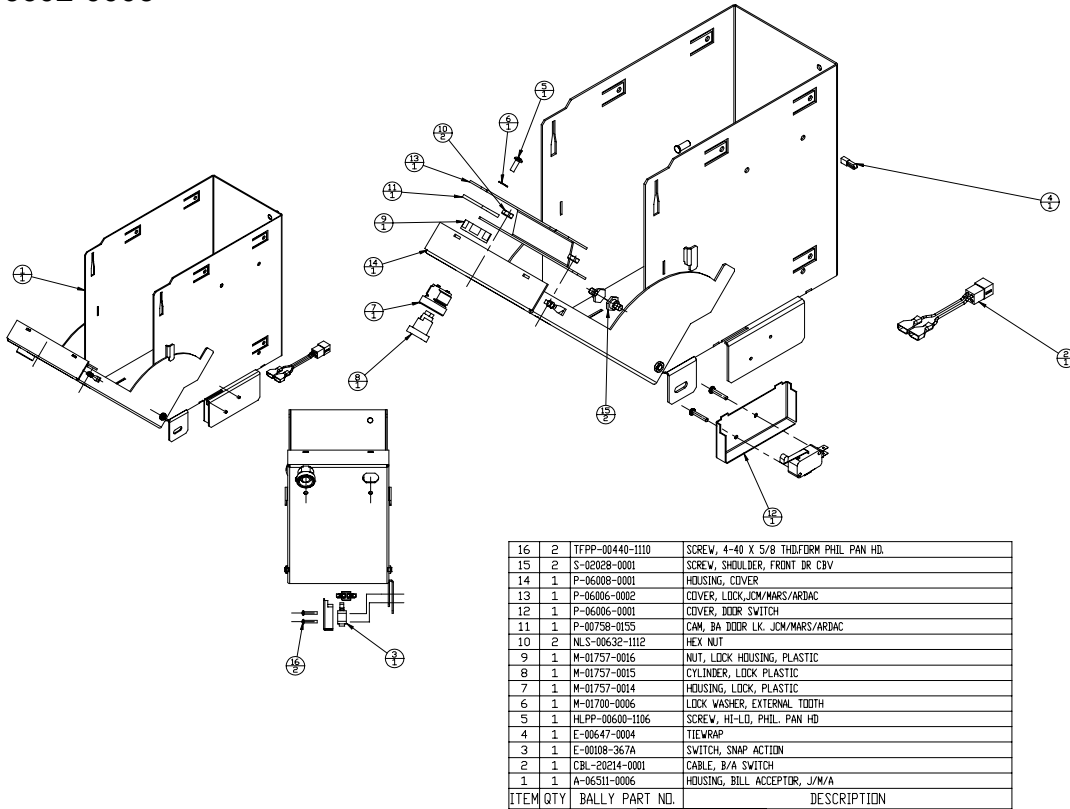
ITEM QTY	BALLY PART NO.	DESCRIPTION
5 1	P-09319-0557	BKT, METER MTG
4 6	LSP-P-M0250-1104	SCREW, METRIC MACH W/LOCK PHIL. PAN HD.
3 1	E-00808-0012	CONN. HOUSING PLUG
2 3	E-00664-0491	ASSY, 7DGT.MTR W/8 IN LEAD
1 2	E-00647-0004	TIEWRAP

Three Meter Assembly (cont.)

V7219
AS-04225

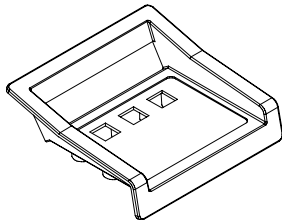


Bill Acceptor Housing JCM/Mars/Ardac AS-06602-0003



JCM Bill Acceptor E-01100-(series)

PART NUMBER	DESCRIPTION	BALLY GUIDE P/N JCM GUIDE P/N	JCM HANDLE P/N	BALLY BILL BOX P/N JCM BILL BOX P/N
E-01100-0001	BA, JCM WBA-10-SS/XXX-501-03	GJ-04000-0001 052519	058138	E-01100-P003 058134
E-01100-0002	BA, JCM WBA-11-SS/XXX-501-03	GJ-04000-0001 052519	058138	E-01100-P003 058134
E-01100-0003	BA, JCM WBA-20-SS/XXX-502-03	GJ-04000-0002 054625	058138	E-01100-P003 058134
E-01100-0004	BA, JCM WBA-21-SS/XXX-502-03	GJ-04000-0002 054625	058138	E-01100-P003 058134
E-01100-0005	BA, JCM WBA-12-SS/XXX-501-03	GJ-04000-0001 052519	058138	E-01100-P003 058134
E-01100-0006	BA, JCM WBA-13-SS/XXX-501-03	GJ-04000-0001 052519	058138	E-01100-P003 058134



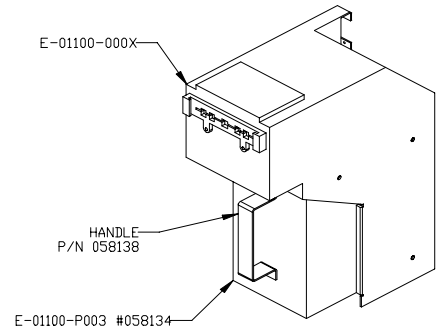
Bezel

MB-J4000-7001



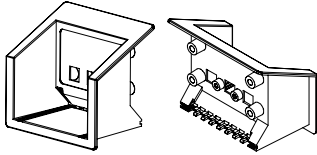
Chute

MC-J4000-7001



BILL ACCEPTOR TO BE SHIPPED WITH 1 EXTRA
BILL BOX PART NO. E-01100-P003 #058134 TOTAL OF 2

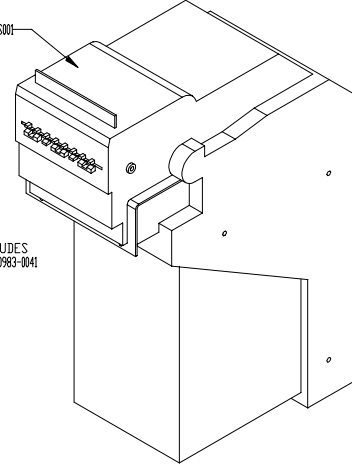
Mars Bill Acceptor E-01124-(series)



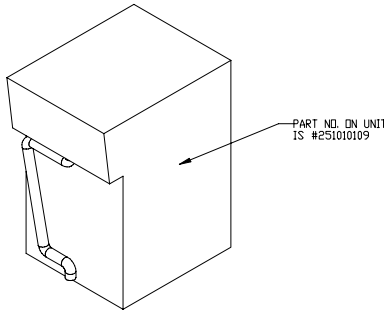
Mars Bill Acceptor Bezel
MB-M4000-6001

PART NUMBER	DESCRIPTION	MARS PART NUMBER ON CARTON
E-21100-0001	BA, MARS, ZT110S-US 67-71MM	251008053

Mars Bill Head #25101316 E-21000-5001



BILL ACCEPTOR INCLUDES
1 CASH BOX #251001048 E-00983-0041

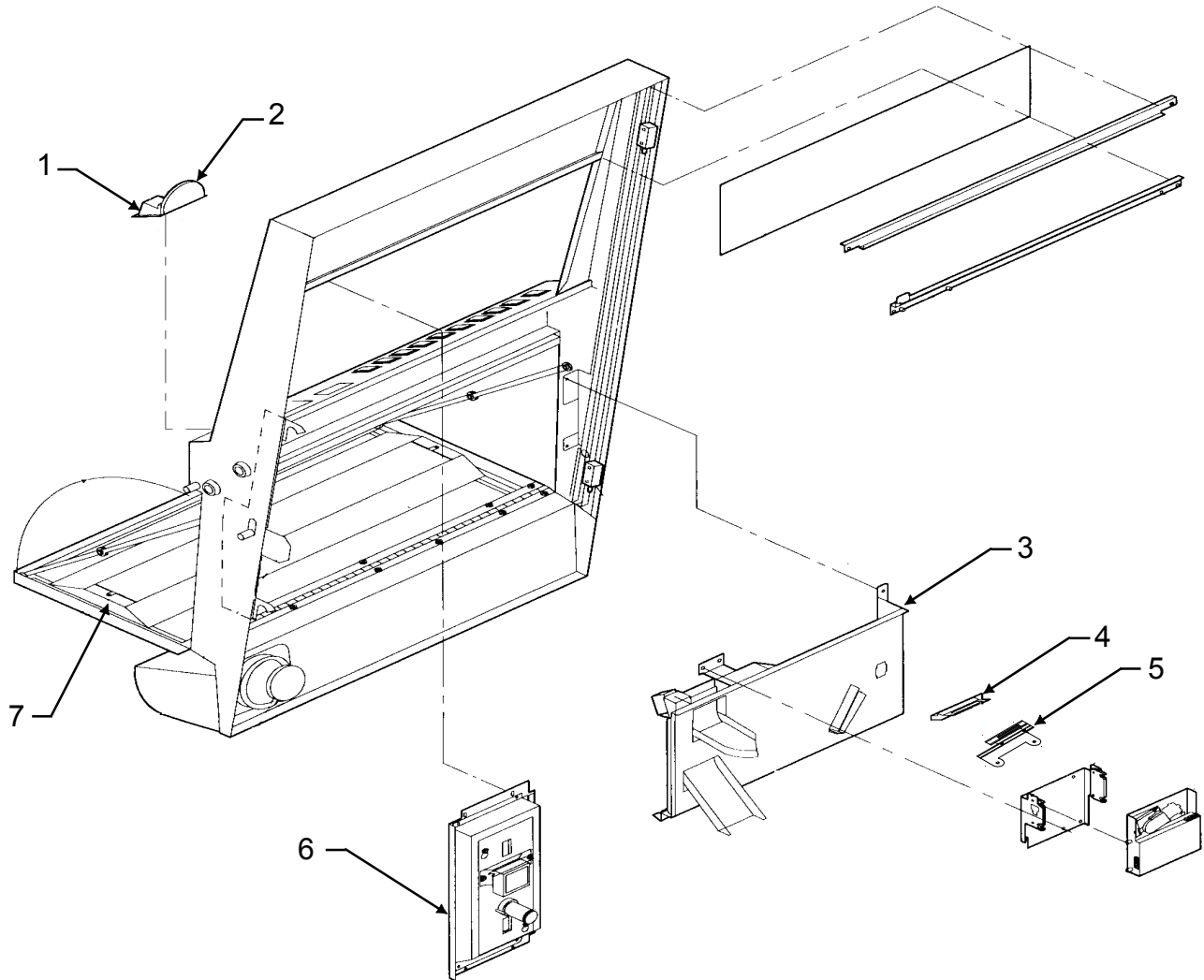


Cash Box #251001048
E-00983-0041

Game Maker-7200™ With XS1200 Hopper Coin-Specific Parts

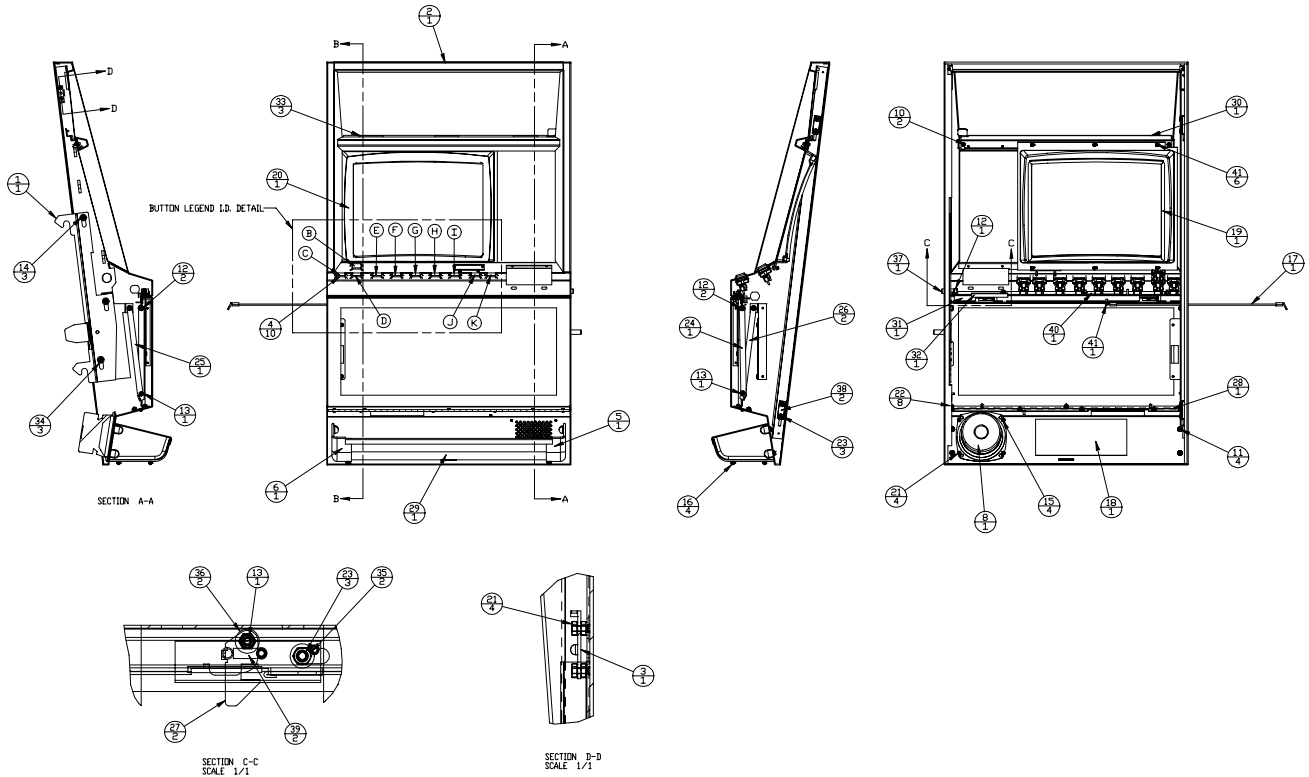
Dimentions			Denomination Decal	Back Plate	Bracket, Coin Head Clamp	Coin Guide	Coin Acceptor	Mounting Bracket	Tower Lens	Tower Color
Coin	Diameter	Thickness								
Dime	0.705" (17.90 mm)	0.053" (1.35 mm)	D100-10C++-BERM	C-04110-1001	P-09319-0299	P-09319-0200	E-00887-4602	P-06004-0031	M-02100-0105	Green
Penny	0.750" (19.05 mm)	0.062" (1.57 mm)	D100-1CENT-BERM	C-04110-1003	P-09319-0299	P-09319-0200	E-00887-4603	P-06004-0031	M-02100-0102	Red
Nickel	0.825" (20.96 mm)	0.078" (1.98 mm)	D100-.05+-BERM	C-04110-1005	P-09319-0299	P-09319-0200	E-00887-4606	P-06004-0031	M-02100-0102	Red
Token .25	0.865" (21.97 mm)	0.067" (1.70 mm)	D100-TOK25-BERM	C-04110-1005	P-09319-0299	P-09319-0200	E-00887-4601	P-06004-0031	M-02100-0104	Yellow
Quarter	0.955" (24.26 mm)	0.067" (1.70 mm)	D100-.25+-BERM	C-04110-1008	P-09319-0299	P-09319-0200	E-00887-4601	P-06004-0031	M-02100-0104	Yellow
Half	1.205" (30.61 mm)	0.086" (2.18 mm)	D100-50C+-BERM	C-04110-1016	P-09319-0300	P-09322-0211	E-00887-4605	P-06004-0031	M-02100-0106	Coral
Dollar	1.500" (38.10 mm)	0.100" (2.54 mm)	D100-\$1+++BERM	C-04111-1006	P-09319-0300	P-09322-0211	E-00887-4605	P-06004-0031	M-02100-0103	Blue
\$100	1.595" (40.51 mm)	0.090" (2.29 mm)	D100-\$100+-BERM	C-04111-1008	P-09319-0300	P-09322-0211	E-00887-4604	P-06004-0032	M-02100-0101	White
\$10	1.740" (44.20 mm)	0.125" (3.18 mm)	D100-\$10+-BERM	C-04111-1011	P-09319-0300	P-09322-0211	E-00887-4604	P-06004-0032	M-02100-0107	Purple
\$5	1.750" (44.45 mm)	0.125" (3.18 mm)	D100-\$5+++BERM	C-04111-1011	P-09319-0300	P-09322-0211	E-00887-4604	P-06004-0032	M-02100-0107	Purple
\$25	1.875" (47.625 mm)	0.125" (3.18 mm)	D100-\$25+-BERM	C-04111-1012	P-09319-0300	P-09322-0211	E-00887-4604	P-06004-0032	M-02100-0107	Purple
Coin	Coin Knife	Pin Wheel	Shelf Wheel	Shelf Wheel Spacer	Cover Cn. Outlet	Coin Deflector	Agitator	Hopper (complete)		
Dime	M-03068-0006	P-00842-009B	P-00847-0001	None	P-00838-0011	P-00839	R-00526-0003	None		
Penny	M-03068-0006	P-00842-009B	P-00847-0001	None	P-00838-0011	P-00839	R-00526-0003	None		
Nickel	M-03068-0006	P-00842-009B	P-00847-0028	None	P-00838-0011	P-00839	R-00526-0003	AS-06793-2008		
Token .25	M-03068-0006	P-00842-010B	P-00847	None	P-00838-0011	P-00839	R-00526-0003	AS-06793-2004		
Quarter	M-03068-0006	P-00842-010B	P-00847-0002	None	P-00838-0011	P-00839	R-00526-0003	AS-06793-2001		
Half	M-03068-0006	P-00842-010B	P-00847-0003	None	P-00838-0011	P-00839	R-00526-0003	AS-06793-2005		
Dollar	M-03068-0006	P-00842-011B	P-00847-0006	None	P-00838-0011	P-00839	R-00526-0003	AS-06793-2011		
\$100	M-03068-0006	P-00842-013A	P-00847-0014	None	P-00838-0012	P-00839	R-00526-0001	AS-06793-2010		
\$10	M-03068-0007	A-04308-001A	P-00847-0025	P-00847-0024	P-00838-0012	P-00839-0004	R-00526-0001	AS-06793-2006		
\$5	M-03068-0007	A-04308-001A	P-00847-0023	P-00847-0024	P-00838-0012	P-00839-0004	R-00526-0001	AS-06793-2006		
\$25	M-03068-0007	A-04308-001A	P-00847-0016	P-00847-0022	P-00838-0012	P-00839-0004	R-00526-0001	AS-06793-2007		

V72xx Door Assembly



V72xx Door Assembly		
Item	Part #	Description
1	C-04711-002A	Base, Coin Head, Polished Chrome
	C-04711-003A	Base, Coin Head, Polished Brass
	C-04711-004A	Base, Coin Head, Gold
2	C-04110-1005	Back Plate, Chrome .86 Width /.09 Depth
	C-04110-1008	Back Plate, Chrome .98 Width /.09 Depth
	C-04110-1016	Back Plate, Chrome 1.24 Width /.09 Depth
	C-04110-1006	Back Plate, Chrome 1.53 Width /.16 Depth
	C-04111-1011	Back Plate, Chrome 1.79 Width /.16 Depth
	C-04111-1012	Back Plate, Chrome 1.90 Width /.16 Depth
	C-04111-1007	Back Plate, Chrome 1.90 Width /.16 Depth
3	AS-03210-(series)	Coin Panel, See page 3-39
4	P-09319-0200	Guide, Coin, .7 Through 1.3
	P-09322-0211	Guide, Coin, 1.25 Through 2.0
5	P-09319-0299	Bracket, Coin Head Clamp, .7 -1.25
	P-09319-0300	Bracket, Coin Head Clamp, 1.25-2.0
6	AS-03363-2007	Door Panel, Black (V7200 only)
7	AS-03361-(series)	Display Glass Light, See page 3-38

**V7200 Door
AS-07512-SERIES**

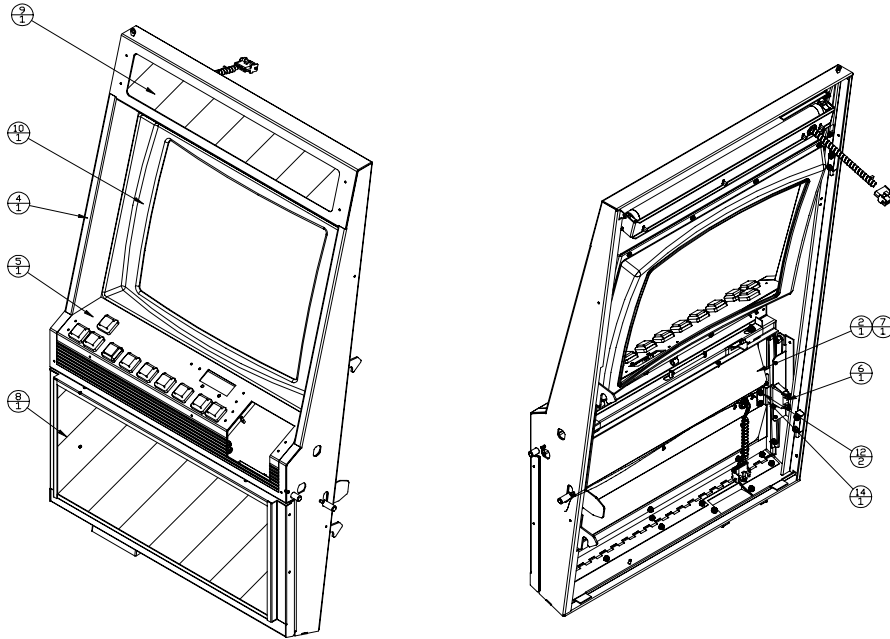


PART NUMBER LEGEND	
AS-07512-	X X XX
SIDE FINISH:	
0 = BRUSHED	
1 = POLISHED	
2 = PLAIN	
3 = POWDER COAT	
LOCK OPTION:	
1 = SINGLE LOCK (1 BELLY/1 MAIN)	
2 = DUAL LOCK (2 BELLY/2 MAIN)	
3 = THREE LOCK (1 BELLY/2 MAIN)	
FINISH:	
PLATED, SEE MET-SPEC-0002	
POWDER COAT, SEE PC-SPEC-0001	

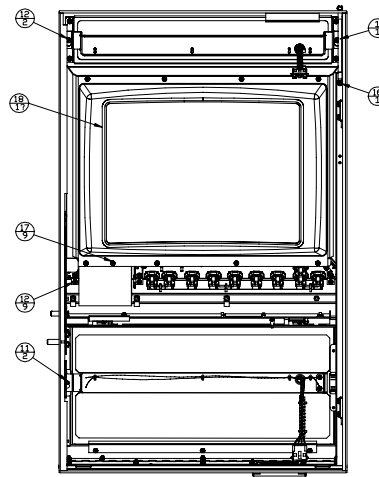
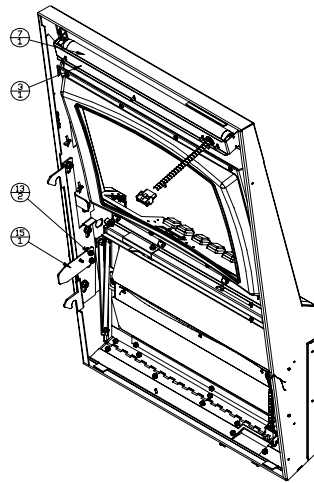
DOOR/COIN TRAY LEGEND				
PART NUMBER	DESCRIPTION	ITEM 2 DOOR	ITEM 5 END CAP RIGHT COIN TRAY	ITEM 6 END CAP LEFT COIN TRAY
AS-07512-0101	DR. BCH 1 LK.	A-07511-01P1	C-04710-0101	C-04710-0102
AS-07512-0201	DR. BCH 2 LK.	A-07511-02P1	C-04710-0101	C-04710-0102
AS-07512-0104	DR. GLD. 1 LK.	A-07511-01P4	C-04710-0109	C-04710-0110
AS-07512-0204	DR. GLD. 2 LK.	A-07511-02P4	C-04710-0109	C-04710-0110
AS-07512-0301	DR. BCH 3 LK.	A-07511-03P1	C-04710-0101	C-04710-0102

41	7	TFPP-00632-1106	SCREW, 6-32 X 3/8 THD.FORM PHIL PAN HD.
40	1	SP-00100-0412	SPRING (RELAY)
39	2	SP-00100-0411	SPRING (RELAY)
38	2	S-00700-0001	HINGE, BKT, DOOR SIDE
37	1	S-00458-0044	PIN, THREADED, BELLY DR.
36	2	S-00231-1034	SHOULDER WASHER
35	2	S-00231-1033	SHOULDER WASHER
34	3	S-00231-1022	SHOULDER WASHER
33	3	R-00553-0011	GASKET, 1/8 X 1/4 X 2 INCHES 2 SIDED
32	1	P-09401-0002	COVER, BELLY DOOR HOOK
31	1	P-09319-0405	BKT, SLIDE LATCH
30	1	P-09319-0402	BKT, LDWER, FEATURE GLASS
29	1	P-09319-0401	TRAY, COIN
28	1	P-07511-0002	HINGE, MAIN/BELLY DOOR
27	2	P-06009-0002	LATCH HOOK, BELLY DOOR
26	2	P-06004-0030	BKT, DOOR PROP 'B'
25	1	P-06004-0029	BKT, DOOR PROP 'A', LEFT
24	1	P-06004-0028	BKT, DOOR PROP 'A', RIGHT
23	6	NLS-00832-1112	HEX NUT
22	8	NLS-00632-1112	HEX NUT
21	8	NLS-00440-1112	HEX NUT
20	1	M-02031-0021	BEZEL, MONITOR
19	1	M-01777-5651	GASKET, BEZEL, TS, ADHESIVE 1 SIDE
18	1	M-01777-5415	ENVELOPE, PLASTIC, 7.5 X 3.0
17	1	M-01777-5410	CABLE, DOOR STOP
16	4	M-01757-0010	NUT, ACDRN 8-32
15	4	M-01514-0049	SPACER .250 OD X .120 ID X .090 LG
14	3	M-00319-0015	ELASTIC, STOP NUT (ESNA)
13	3	M-00319-0006	ELASTIC, STOP NUT (ESNA)
12	5	M-00319-0001	ELASTIC, STOP NUT (ESNA)
11	4	LSPP-01032-1106	SCREW, MACH W/LOCK PHIL PAN. HD.
10	2	LSPP-00632-1106	SCREW, MACH W/LOCK PHIL PAN. HD.
9	3	E-00647-0004	CABLE TIE, .090W X 3.870L (NOT SHOWN)
8	1	E-00281-0027	SPEAKER, 4 IN. RND.
7	1	CBL-30245-0001	CABLE, DOOR BUTTON
6	1	C-04710-0102	END CAP, COIN CUP, LEFT < SEE LEGEND>
5	1	C-04710-0101	END CAP, COIN CUP, RIGHT < SEE LEGEND>
4	10	BH-04738-0001	SWITCH, HAPP, SQ.BLK
3	1	AS-03356-0427	ASY, DOOR OPTIC EMITTER
2	1	A-07511-SERIES	ASSY, MAIN/BELLY DOOR < SEE LEGEND >
1	1	A-06506-0001	ASSY, DOOR LATCH
ITEM QTY	BALLY PART NO.	DESCRIPTION	

V7219 Door AS-07210-SERIES



ASSEMBLY LEGEND				
PART NUMBER	DESCRIPTION	ITEM 4, CM DOOR	ITEM 5, BTN DECK	
AS-07210-01P1	DOOR ASSY,1 LK,10 BTN DECK,CHR	AS-07201-01P1	AS-07810-00P1	
AS-07210-02P1	DOOR ASSY,2 LK,10 BTN DECK,CHR	AS-07201-02P1	AS-07810-00P1	
AS-07210-11P1	DOOR ASSY,1 LK,12 BTN DECK,CHR	AS-07201-01P1	AS-07812-00P1	
AS-07210-12P1	DOOR ASSY,2 LK,12 BTN DECK,CHR	AS-07201-02P1	AS-07812-00P1	
AS-07210-21P1	DOOR ASSY,1 LK,14 BTN DECK,CHR	AS-07201-01P1	AS-07814-00P1	
AS-07210-22P1	DOOR ASSY,2 LK,14 BTN DECK,CHR	AS-07201-02P1	AS-07814-00P1	

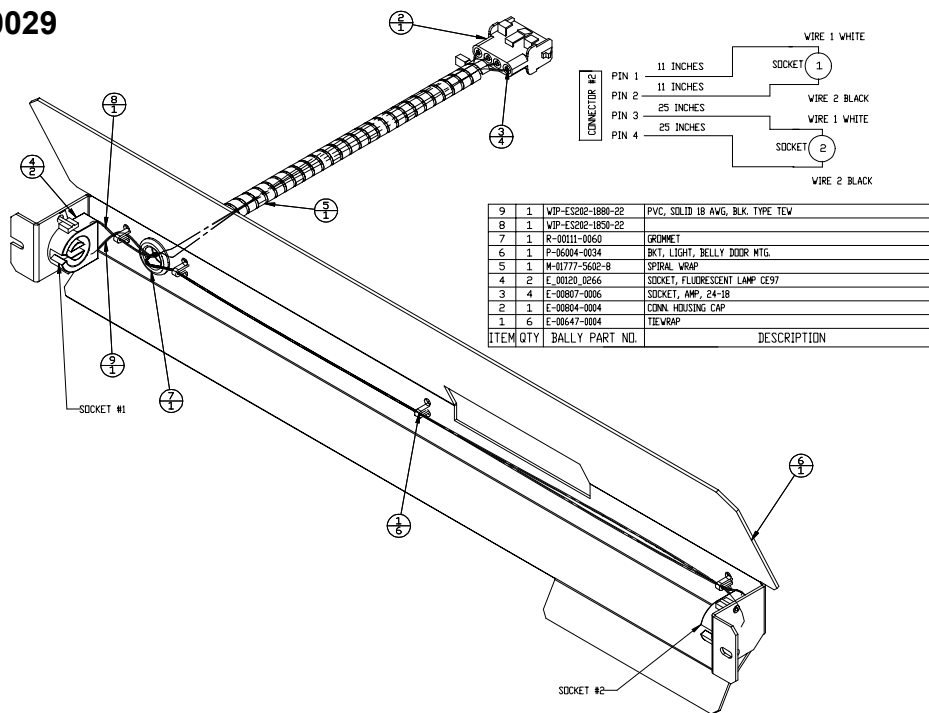


PART NUMBER LEGEND	
	AS-07201- X X XX
BUTTON DECK OPTION:	
0=	10 BUTTON DECK
1=	12 BUTTON DECK
2=	14 BUTTON DECK
LOCK OPTION:	
1=	SINGLE LOCK (LOCK HOLES 1 & 2)
2=	DUAL LOCKS (LOCK HOLES 1,2,3, & 4)
FINISH OPTION:	
P1 THRU P5	OPTION 2: POLISHED & PLATED ASSY (PER BALLY DWG MET-SPEC-0002)
P6	OPTION 3: POLISHED STAINLESS STEEL ASSY
B1 THRU B5	OPTION 4: BRUSHED & PLATED ASSY (PER BALLY DWG MET-SPEC-0002)
B6	OPTION 5: BRUSHED STAINLESS STEEL ASSY

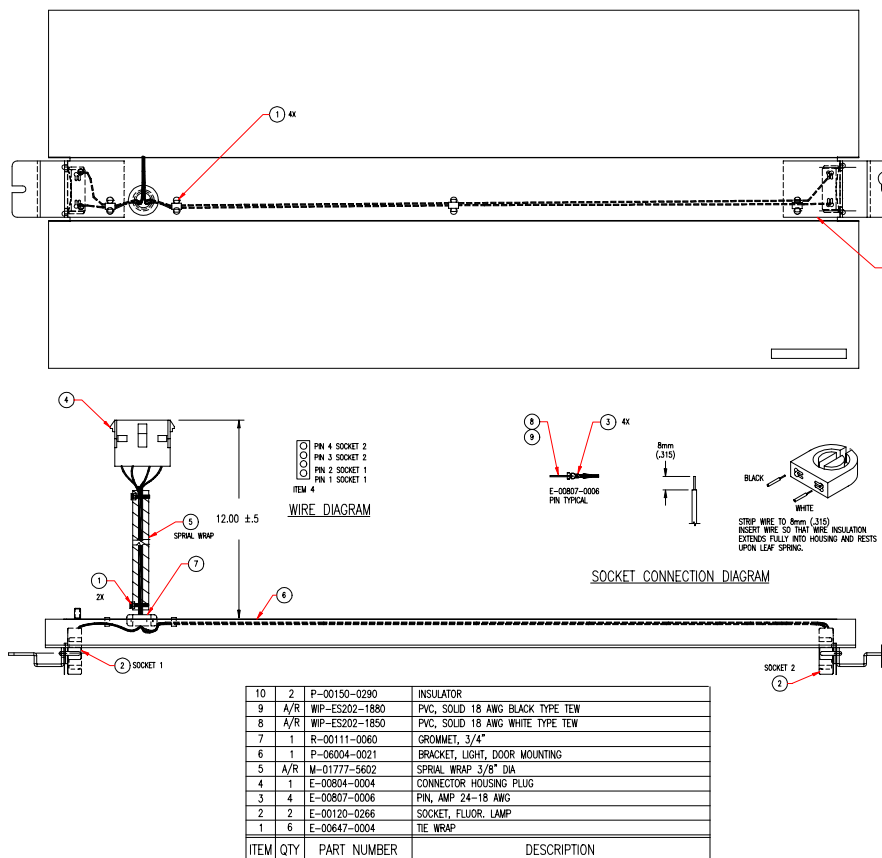
ITEM	QTY	BALLY PART NO.	DESCRIPTION
18	1	M-01777-5676	GASKET, MONITOR BEZEL
17	9	TFFPP-00832-1104	SCREW, 8-32 X 1/4 THIDFORM PHIL PAN HD.
16	1	TFFPP-00632-1104	SCREW, 6-32 X 1/4 THIDFORM PHIL PAN HD.
15	1	P-96004-0105	GUIDE, DOOR
14	1	P-96004-0020	BKT., BELLY DOOR OPEN
13	2	NLS-00832-1112	HEX NUT
12	13	NLS-00632-1112	HEX NUT
11	2	MSPP-00632-1104	SCREW,MACHINE PHIL. PAN. HD.
10	1	M-92031-0029	BEZEL, MONITOR
9	1	E-R0723	GLASS, UPR DOOR
8	1	E-R0959	GLASS, BELLY
7	2	E-01412-0013	LAMP, FLUORESCENT F15T8/CV
6	1	E-00108-0385	SWITCH, DOOR PUSH
5	1	AS-07810-SERIES(REF)	ASSY, 10 BUTTON DECK (SEE LEGEND)
4	1	AS-07201-SERIES(REF)	ASSY, DOOR COMMON (SEE LEGEND)
3	1	AS-03361-0036	ASSY, UPR DR LIGHT
2	1	AS-03361-0026	ASSY, BELLY GLASS LIGHT
1	1	AS-03106-0010	ASY, GROUND STRAP, 4 INCH

Display Glass Light Assembly

V7200
AS-03361-0029



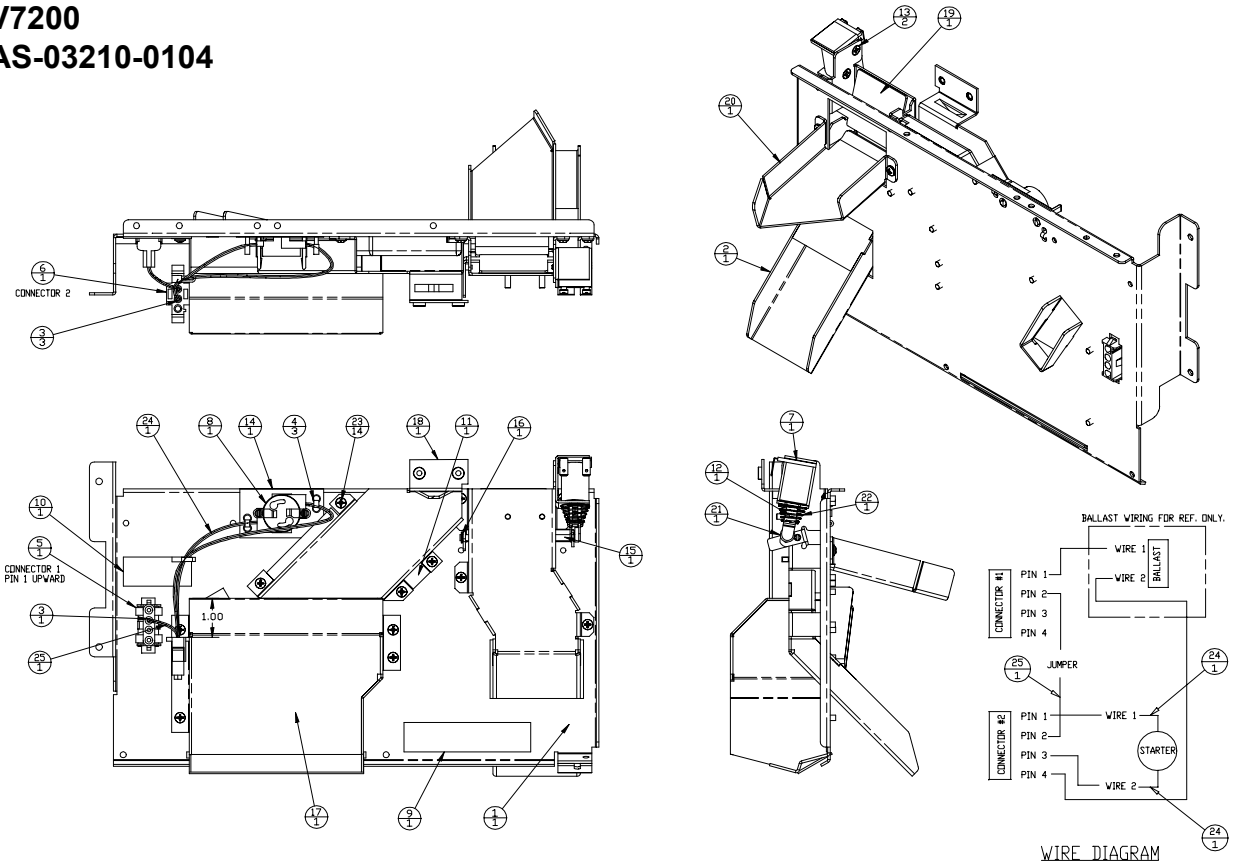
V7217 & V7219
AS-03361-0026



Coin Panel Assembly

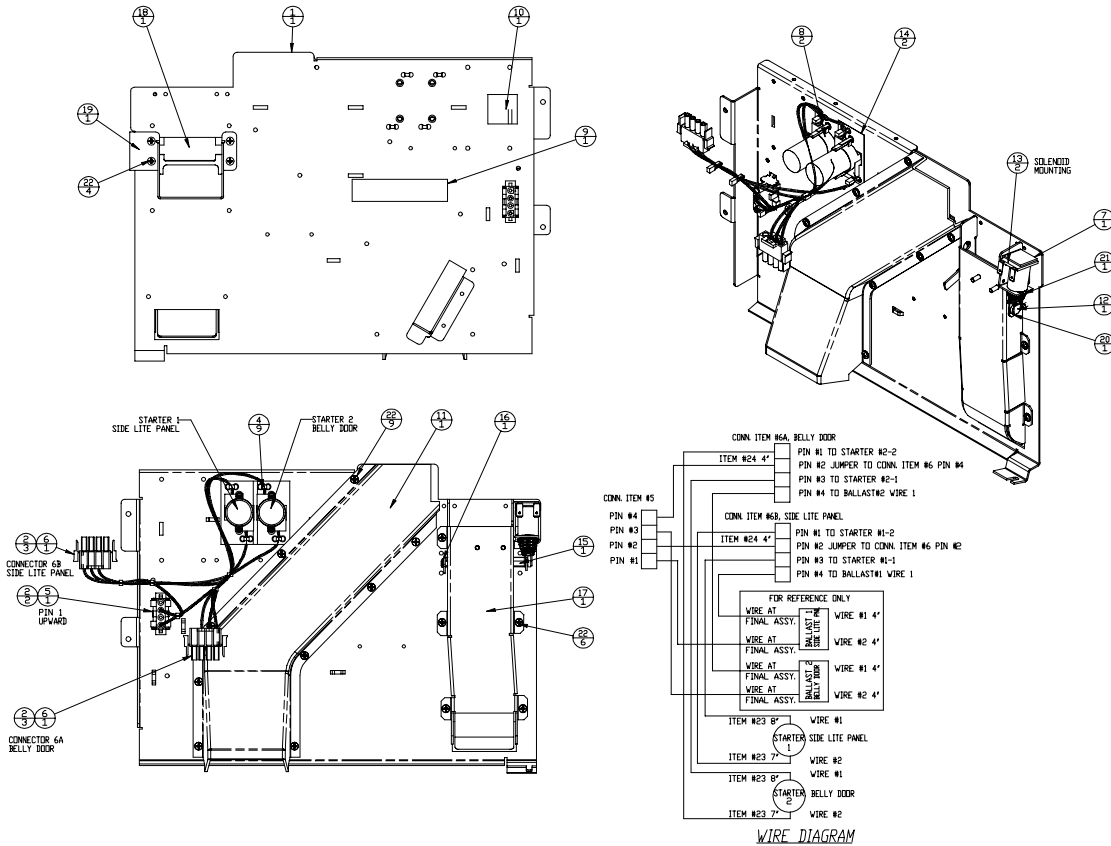
V7200

AS-03210-0104



25	1	WIP-ES202-1880-93	PVC, SOLID 18 AWG BLK, TYPE TEW
24	1	WIP-ES202-1850-93	PVC, SOLID 18 AWG WHT, TYPE TEW
23	14	TFPP-00632-1104	SCREW, 6-32 X 1/4 THD.FORM PHIL PAN HD.
22	1	SP-00200-0246	SPRING, COMPRESSION
21	1	S-00231-1031	SPACER, PLASTIC, DIVERTER LINK
20	1	P-09319-0520	RAMP, COIN HOPPER
19	1	P-09319-0519	DIVERTER, COIN
18	1	P-09319-0399	CHUTE, COIN REJECT
17	1	P-04380-0012	CHUTE, COIN RETURN
16	1	P-02891-0004	RETAINING RING .156 SHAFT X .025 THK
15	1	P-01638-0003	PIN, PIVOT
14	1	P-00150-0292	INSULATOR, POLYCARBONATE CE97
13	2	MSPX-00632-1102	SCREW, MACHINE PHIL. FLAT HD. 82 DEG
12	1	M-03104-0001	LINK, PLASTIC, CN. DIVERTER
11	1	M-03017-0009	LINER, CHUTE, W/ LOCATING TABS
10	1	LBL-00253-0001	LABEL, HIGH VOLTAGE
9	1	LBL-00109-001A	LABEL, POWER OFF
8	1	E_00120_0265	SOCKET, FLUOR. LAMP STARTER CE97
7	1	E-00947-0019	COIL, DIVERTER
6	1	E-00808-0004	CONN. HOUSING PLUG
5	1	E-00804-0004	CONN. HOUSING CAP
4	3	E-00647-0004	TIEWRAP
3	4	E-00807	SOCKET, AMP, 24-18
2	1	A-06804-0001	ASSY, COIN CHUTE
1	1	A-06505-0011	ASSY, COIN PANEL
ITEM	QTY	BALLY PART NO.	DESCRIPTION

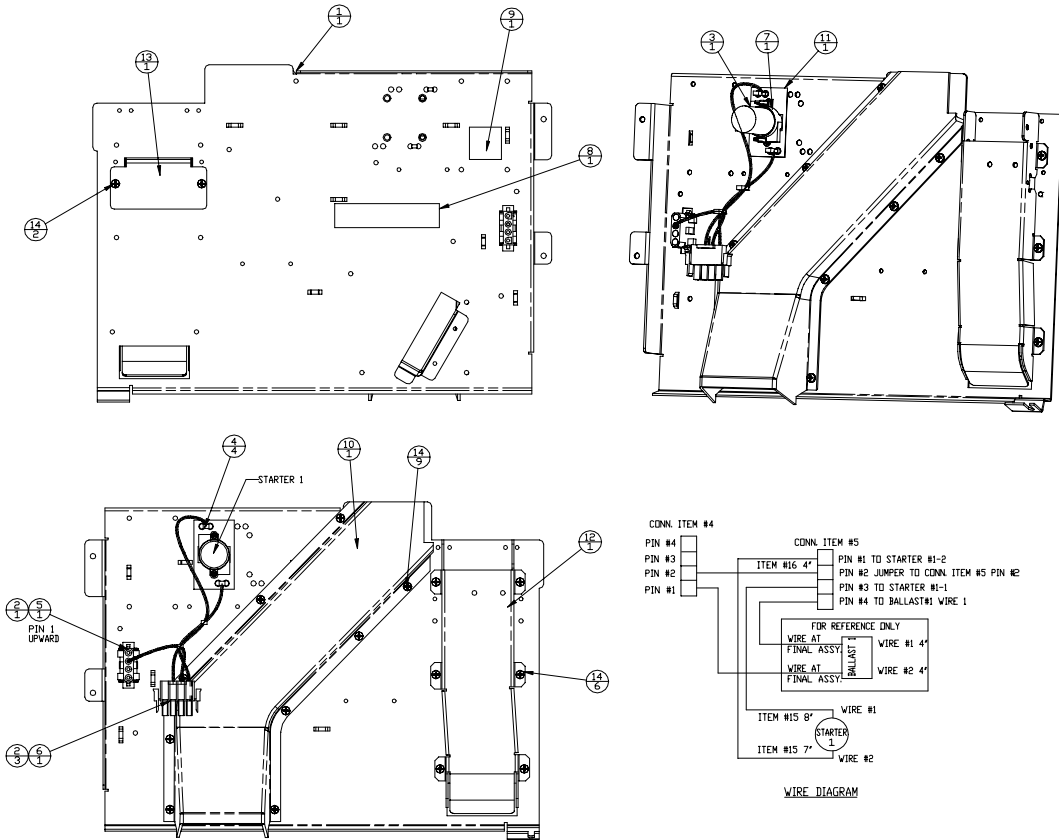
**Coin Panel Assembly (Hopper) V7217 & V7219
AS-03210-0094**



24	1	WIP-ES202-1880-0094	PVC, SOLID 18 AWG BLACK TYPE TEW
23	1	WIP-ES202-1850-0094	PVC, SOLID 18 AWG WHITE TYPE TEW
22	19	TFPP-00632-1104	SCREW, 6-32 X 1/4 THD.FORM PHIL PAN HD.
21	1	SP-00200-0246	SPRING, COMPRESSION
20	1	S-00231-1031	SPACER, PLASTIC, DIVERTER LINK
19	1	P-09319-0527	RAMP, COIN HOPPER
18	1	P-09319-0519	DIVERTER, COIN
17	1	P-06804-0004	CHUTE, COIN DIVERTER
16	1	P-02891-0004	RETAINING RING .156 SHAFT X .025 THK
15	1	P-01638-0003	PIN, PIVOT
14	2	P-00150-0292	INSULATOR, POLYCARBONATE CE97
13	2	MSPX-00632-1102	SCREW, MACHINE PHIL. FLAT HD. 82 DEG
12	1	M-03104-0001	LINK, PLASTIC, CN. DIVERTER
11	1	M-03093-0022	CHUTE, COIN REJECT
10	1	LBL-00113-001A	LABEL, HIGH VOLTAGE
9	1	LBL-00109-001A	LABEL, POWER OFF
8	2	E_00120_0265	SOCKET, FLUOR. LAMP STARTER CE97
7	1	E-00947-0019	COIL, DIVERTER
6	2	E-00808-0004	CONN. HOUSING PLUG
5	1	E-00804-0004	CONN. HOUSING CAP
4	9	E-00647-0004	TIEWRAP
3	2	E-00411-0010	STARTER, FLUORESCENT, FS-2
2	8	E-00807	SOCKET, AMP, 24-18
1	1	A-06505-0008	ASSY, COIN PANEL, BL/ST
ITEM	QTY	BALLY PART NO.	DESCRIPTION

Coin Panel Assembly (Printer) V7217 & V7219

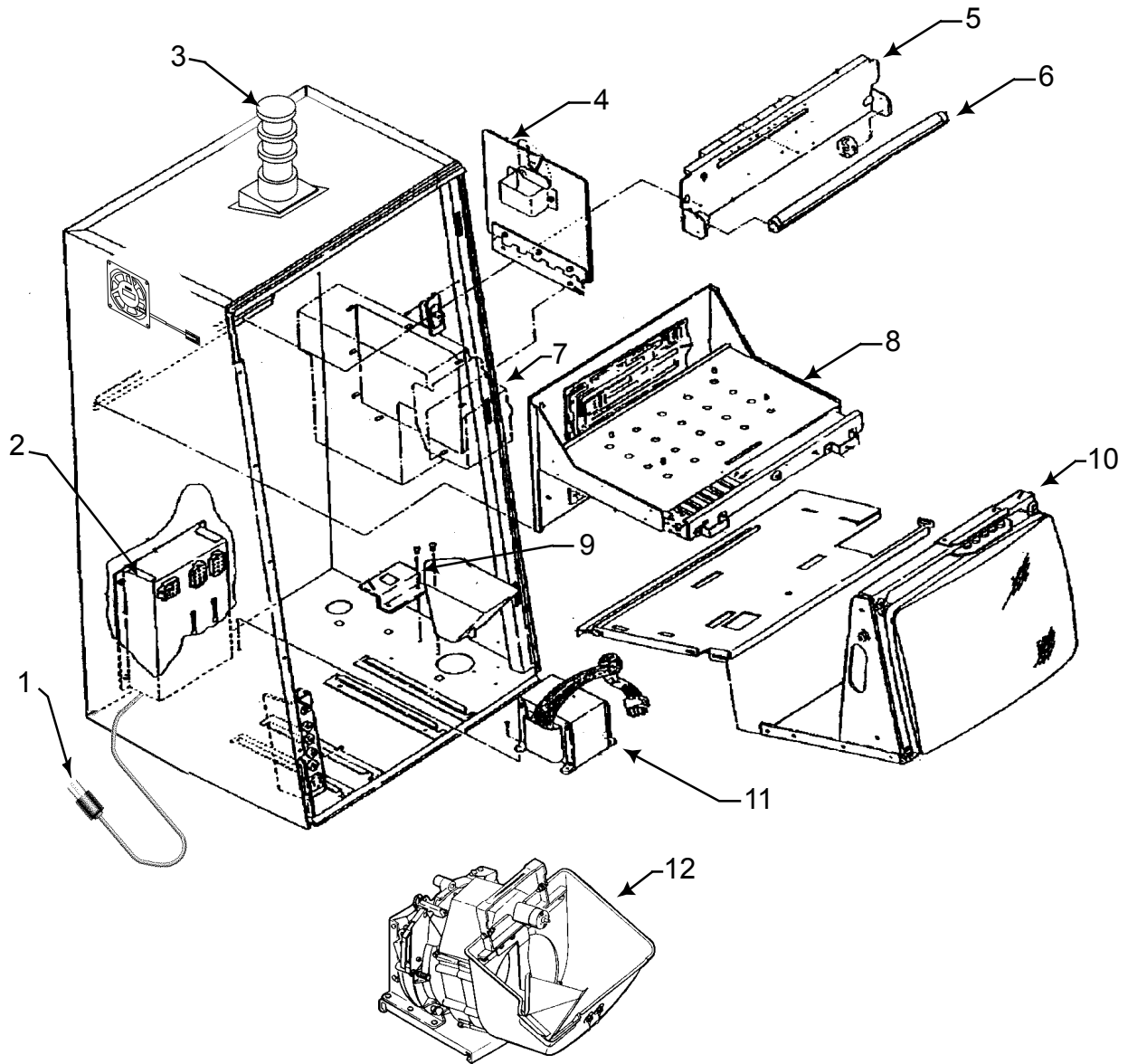
AS-03210-0103



16	1	WIP-ES202-1880-0095	PVC, SOLID 18 AWG BLACK TYPE TEW
15	1	WIP-ES202-1850-0095	PVC, SOLID 18 AWG WHITE TYPE TEW
14	17	TFPP-00632-1104	SCREW, 6-32 X 1/4 THD.FORM PHIL PAN HD.
13	1	P-09327-0001	GLIDE, COIN
12	1	P-06804-0004	CHUTE, COIN DIVERTER
11	1	P-00150-0292	INSULATOR, POLYCARBONATE CE97
10	1	M-03093-0022	CHUTE, COIN REJECT
9	1	LBL-00113-001A	LABEL, HIGH VOLTAGE
8	1	LBL-00109-001A	LABEL, POWER OFF
7	1	E_00120_0265	SOCKET, FLUOR. LAMP STARTER CE97
6	1	E-00808-0004	CONN. HOUSING PLUG
5	1	E-00804-0004	CONN. HOUSING CAP
4	4	E-00647-0004	TIEWRAP
3	1	E-00411-0008	STARTER, FLUORESCENT, FS-2
2	4	E-00807	SOCKET, AMP, 24-18
1	1	A-06505-0008	ASSY, COIN PANEL, BL/ST
ITEM	QTY	BALLY PART NO.	DESCRIPTION

Game Maker® Upright Parts

V7000 Cabinet Assembly

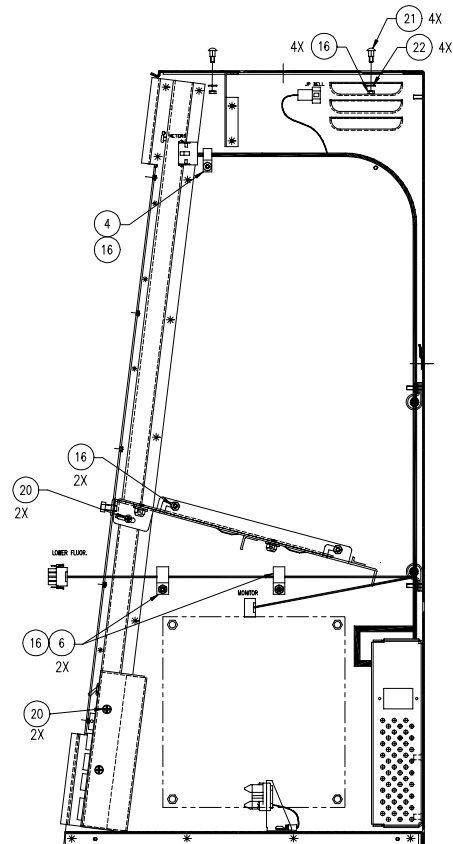
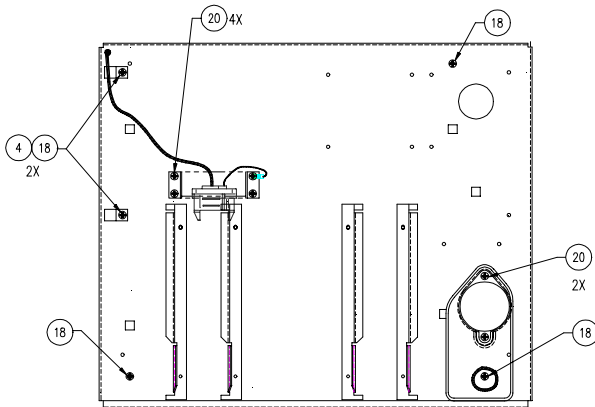
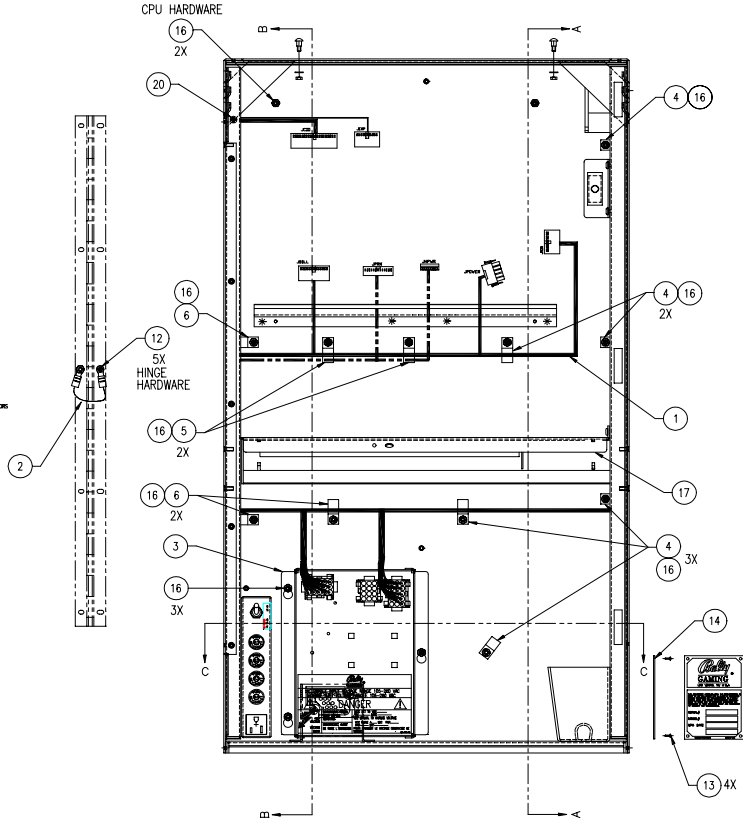
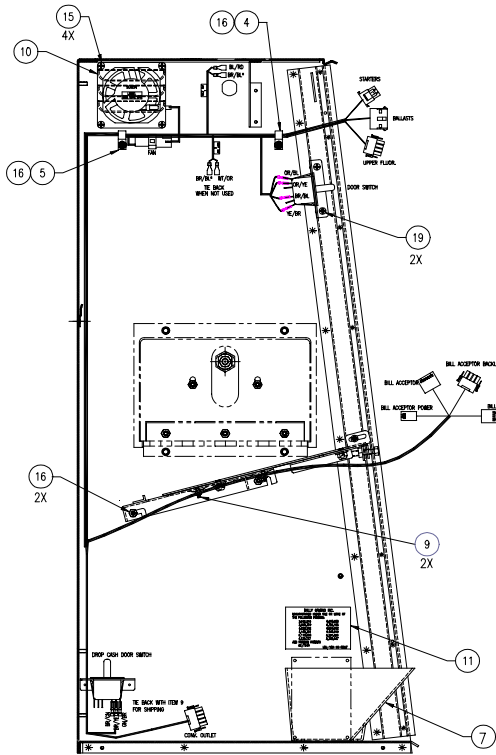




V7000 Cabinet Assembly (cont.)

Game Maker® V7000 Cabinet Assembly		
Item	Part #	Description
1	E-00126-0120	Line Cord, Modular, 8ft. (Italy)
	E-00126-0121	Line Cord, Modular, 8ft. Domestic
	E-00126-0122	Line Cord, Modular 2.5 meters, Europe
	E-00126-0123	Line Cord, Modular, 8.167 ft. (UK)
	E-00126-0132	Cord Set, Nema 6-15p, 8ft. Domestic
	E-00126-0157	Cord Set, 8.2ft., BS546/IEC320 (South Africa)
2	AS-04238-0065	PDU Standard (Power Supply) See page 31
3	TWR (series)	Tower See page 33
4	A-055 series	Cabinet Feature, See page 48
5	AS-04733-SERIES	Tamper-Proof Meter Assemblies, See page 50
6	E-00412-0013	Lamp, Fluorescent, F15T8/CW
7	AS-04560-0400	Bill Acceptor, 1-Lock, Lighted, Black
	AS-04560-0401	Bill Acceptor, 1-Lock, Lighted, Chrome
	AS-04560-0410	Bill Acceptor, 2-Lock, Lighted, Black
	AS-04560-0411	Bill Acceptor, 2-Lock, Lighted, Chrome
	AS-04560-0420	Bill Acceptor, 1-Lock, Black, DBV-200
	AS-04560-0430	Bill Acceptor, 2-Lock, Black DBV-200
	AS-04560-3600	Bill Acceptor, 1-Lock, Lighted, Black, Barcode
	AS-04560-3601	Bill Acceptor, 1-Lock, Lighted, Chrome, Barcode
	AS-04560-3610	Bill Acceptor, 2-Lock, Lighted, Black, Barcode
	AS-04560-3611	Bill Acceptor, 2-Lock, Lighted, Chrome, Barcode
8	AS-04741-series	Backplane/MPU Board Assembly, See page 49
9	E-00664-0313	Convenience Outlet/Plug
10	E-00832-0065	Monitor, VGA With Touchscreen
	E-00832-0066	Monitor, VGA Without Touchscreen
	E-00832-0082	Monitor, 14" With Touchscreen
	E-00832-0083	Monitor, 14" Without Touchscreen
11	E-00122-0223	Transformer, 120VAC 50/60 Hz. See page 31
	E-00122-0224	Transformer, 220/240 VAC 50/60 Hz. See page 32
12	AS-04790-4S11	Standard Hopper (0.836/0.902D)
	AS-04790-4001	Standard Hopper (0.748/0.835D)
	AS-04790-4002	Standard Hopper (0.903/1.011D)
	AS-04790-4003	Standard Hopper (1.132/1.231D)
	AS-04790-4004	Standard Hopper (1.398/1.500D)
	AS-04790-4005	Standard Hopper (1.686/1.783D)
	AS-04790-4006	Standard Hopper (1.784/1.875D)
	AS-04790-4007	Standard Hopper (0.658/0.747D)
	AS-04790-4010	Standard Hopper (1.012/1.131D)
	AS-04790-4011	Standard Hopper (0.836/0.902D)
	AS-04790-4020	Standard Hopper (1.581/1.648D)
	AS-04790-4021	Standard Hopper (1.649/1.685D)
Not Shown	E-00664-0466	Bell and Receptacle, See page 32

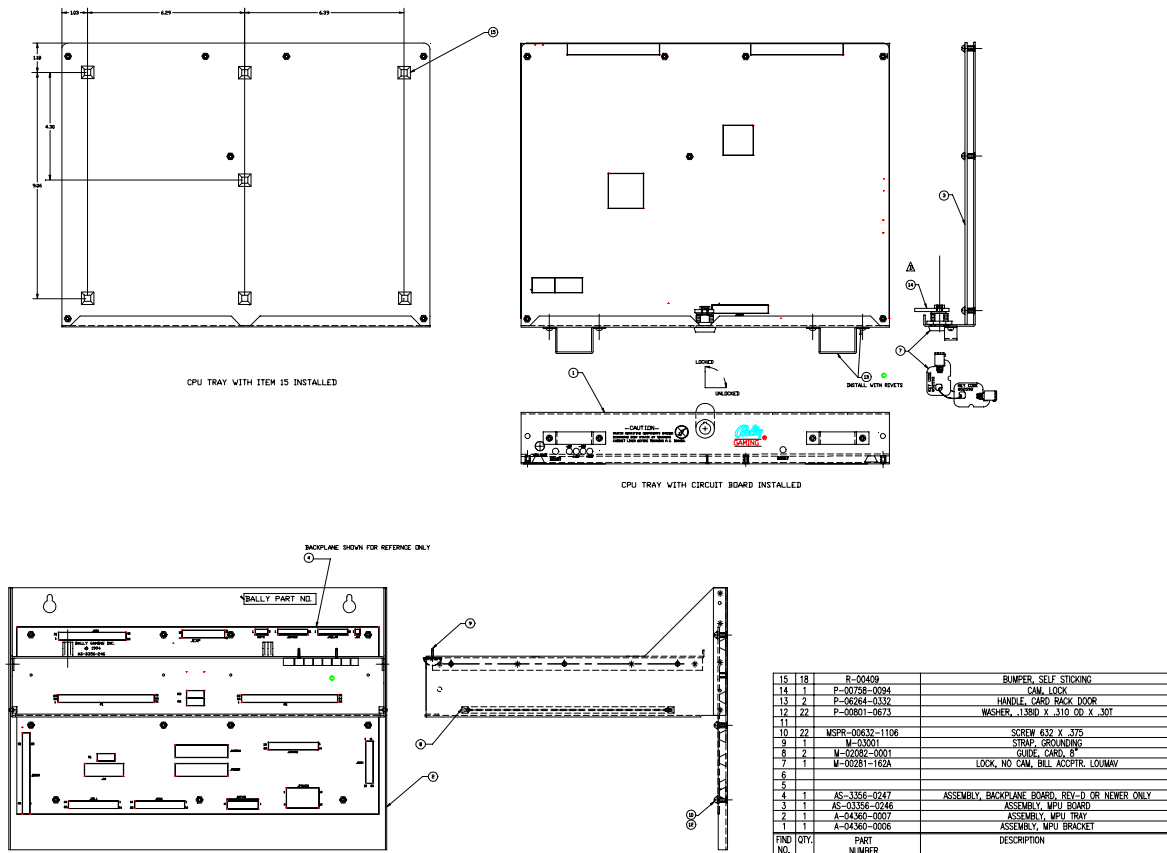
**Cabinet
AS-04222-series**



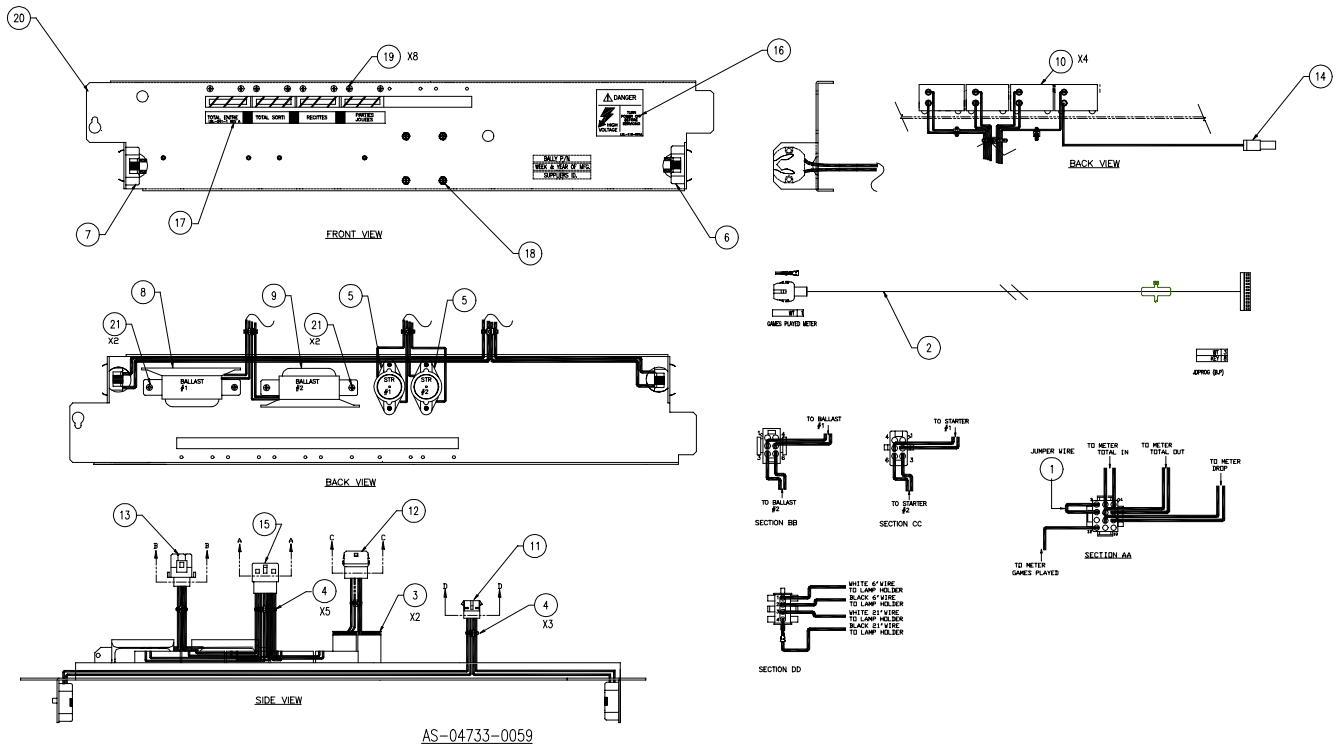
Cabinet AS-04222-series (cont.)

22	4	PW-00250-0012	WASHER
21	4	CBOR-00832-1808	CARRIAGE BOLT
20	11	TFPP-00832-1106	SCREW, 8-32 X 3/8 THD FORM PHIL PAN HD.
19	2	TFPP-00832-1104	SCREW, 8-32 X 1/4 THD FORM PHIL PAN HD.
18	5	SAPP-00800-1110	SCREW, #8 X 5/8 SHT.METAL PHIL PAN HD.
17	1	AS-04726-0003	ASSY, SHELF, MONITOR
16	30	NLS-00832-1112	NUT, 8-32 KEPS
15	4	MSPP-00832-1128	SCREW, 8-32 X 2" MACH PHIL PAN HD.
14	1	M-00819-0102	PLATE, IDENTIFICATION
13	4	M-00180-179A	RIVET, POP 1/8 X .232 DOMED HEAD
12	5	LSPP-00832-1106	SCREW, 8-32 X 3/8 MACH SCREW W/LOCK PHIL ROUND HD.
11	1	LBL-00185-001C	LABEL, GAME PATENT
10	1	E-00664-0499	ASSEMBLY, MOLEX FAN, BOX TYPE
9	3	E-00647-0004	TIE WRAP
8			
7	1	C-04700-002A	CHUTE, COIN
6	5	C-00271-0012	CLIP, 3/4DX1/2X11/64
5	3	C-00271-0009	CLIP, 9/16DX1/2X13/64
4	10	C-00271-0006	CLIP, 3/8DX3/8X11/64
3	1	AS-04238-0065	ASSEMBLY, PDU
2	1	AS-03106-0010	ASSEMBLY, GROUND STRAP, 4"
1	1	AS-03025-0087	ASSEMBLY, CABINET CABLE/SW/PWR.
ITEM	QTY	PART NUMBER	DESCRIPTION

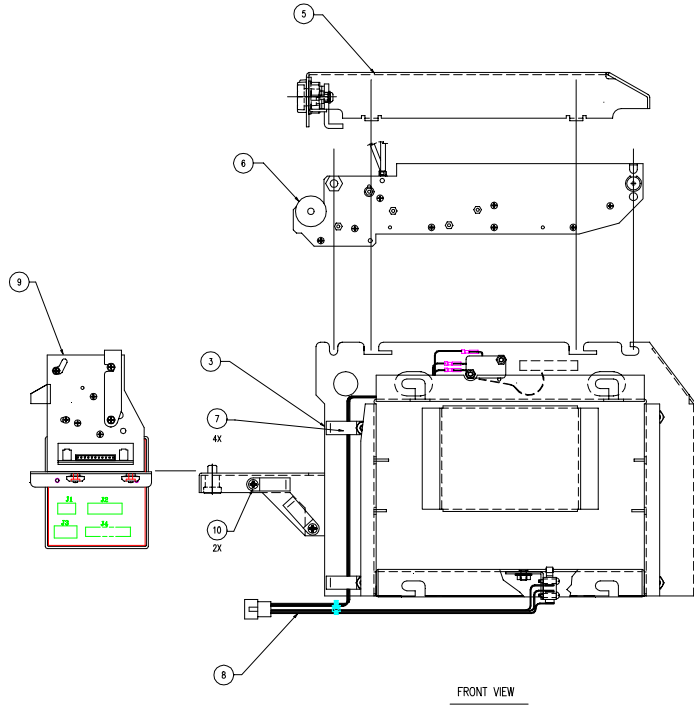
Backplane/MPU Board AS-04741-0014



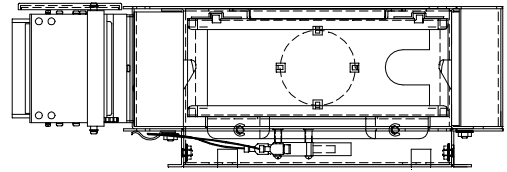
Tamper-Proof Meter Assemblies AS-04733-series



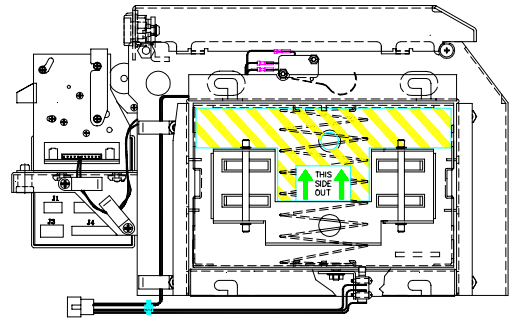
Bill Acceptor AS-14560-series



FRONT VIEW

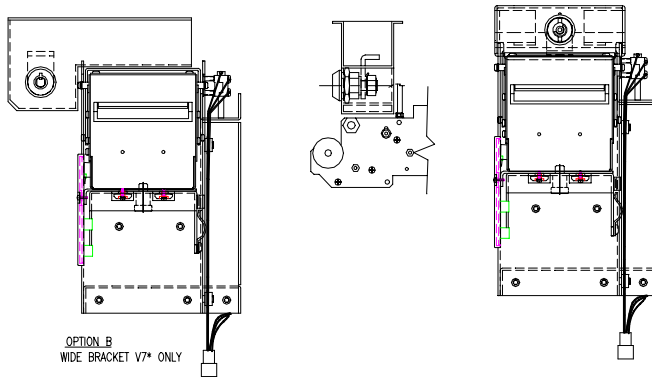


TOP VIEW
WIDE BRACKET



FRONT VIEW

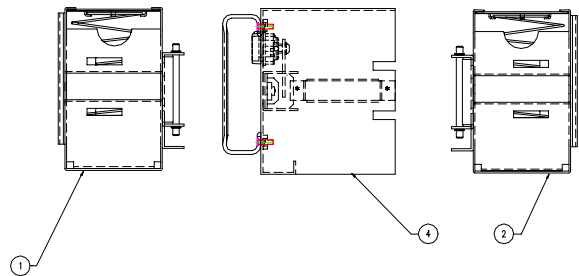
AS-14560-0047 SHOWN FOR REFERENCE



OPTION B
WIDE BRACKET V7* ONLY

OPTION A
WIDE BRACKET

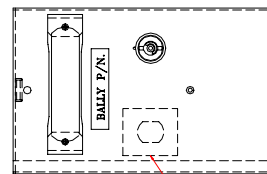
ITEM	QTY	PART NUMBER	DESCRIPTION
10	2	TFPP-00632-1104	SCREW, 6-32 X 1/4 THD FORM PHIL PAN HD.
9	1	SEE LEGEND	KIT, BILL ACCEPTOR BILL BOX
8	1	E-00571-7785	CABLE, BILL ACCEPTOR, DOOR SWITCH
7	4	C-00760	CLIP, WIRE HOLDER
6	1	AS-04806-0014	ASSEMBLY, BILL STACKER
5	1	SEE LEGEND	ASSEMBLY, OUTSIDE COVER,
4	1	SEE LEGEND	ASSEMBLY, BILL COVER,
3	1	AS-04802-0005	ASSEMBLY, STACKER MOUNTING BRACKET
2	1	AS-04217-0113	ASSEMBLY, BILL BOX BLK ZINC
1	1	AS-04217-0112	ASSEMBLY, BILL BOX YEL ZINC



EXPLODED ASSEMBLY
AS-14560-0047 SHOWN FOR REFERENCE

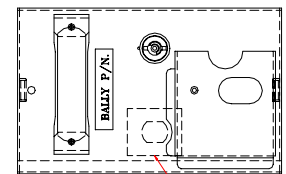
LEGEND V55/V7K/V7* UPRIGHT

PART NUMBER	DESCRIPTION	ITEM 4 BILL COVER	ITEM 5 OUTSIDE COVER	ITEM 8 B/A KIT
AS-14560-0032	ASSY, 400 STACKER, 1LK C/R BARC 55*	AS-14804-0003	AS-04805-0005	K-00723-0026
AS-14560-0033	ASSY, 400 STACKER, 2LK C/R BARC 55*	AS-14804-0002	AS-04805-0005	K-00723-0026
AS-14560-0047	ASSY, 400 STACKER, 1LK C/R V7K	AS-14804-0003	AS-04805-0005	K-00723-0034
AS-14560-0048	ASSY, 400 STACKER, 2LK C/R V7K	AS-14804-0002	AS-04805-0005	K-00723-0034
AS-14560-0051	ASSY, 400 STACKER, 1LK C/R V7*	AS-14804-0003	AS-04805-0004	K-00723-0034
AS-14560-0052	ASSY, 400 STACKER, 2LK C/R V7*	AS-14804-0002	AS-04805-0004	K-00723-0034
AS-14560-0063	ASSY, 400 STACKER, 1LK C/R BARC 55* MGM	AS-14804-0004	AS-04805-0005	K-00723-0026
AS-14560-0065	ASSY, 400 STACKER, NO LATCH	AS-14804-0003	AS-04805-0004	K-00723-0026
AS-14560-0066	ASSY, 400 STACKER, 1LK C/R BARC V7*	AS-14804-0003	AS-04805-0004	K-00723-0026
AS-14560-0067	ASSY, 400 STACKER, 2LK C/R BARC V7*	AS-14804-0002	AS-04805-0004	K-00723-0026



OPTION A

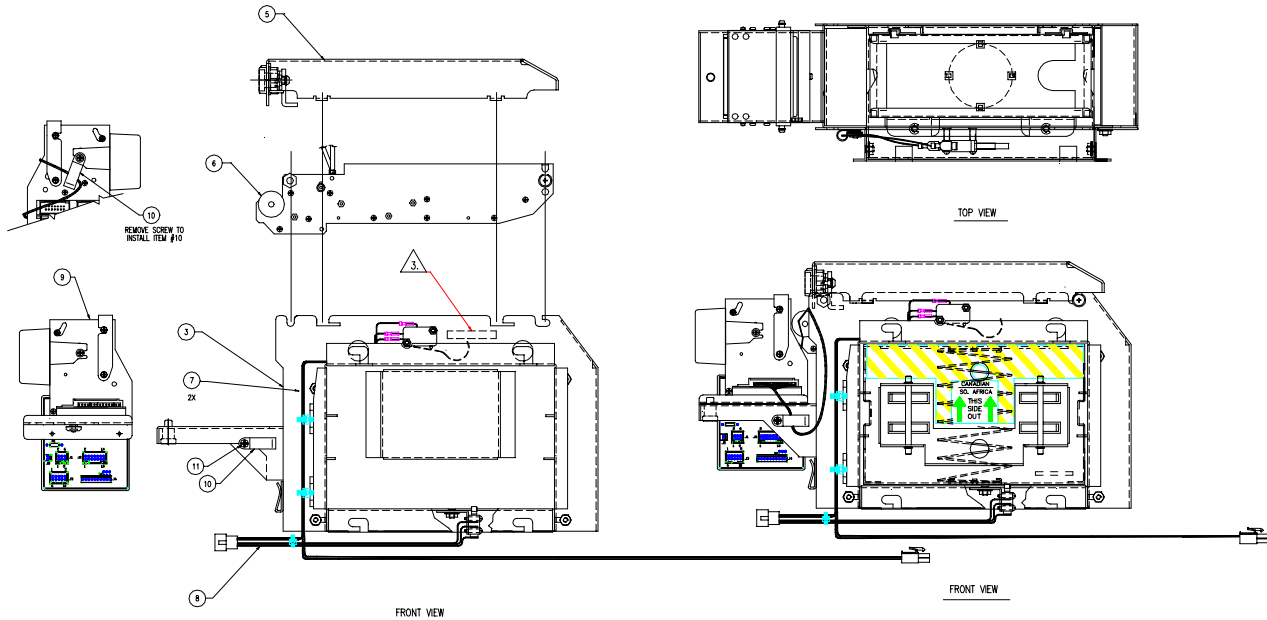
AS-14804-0003 1LK
AS-14804-0002 2LK



OPTION B

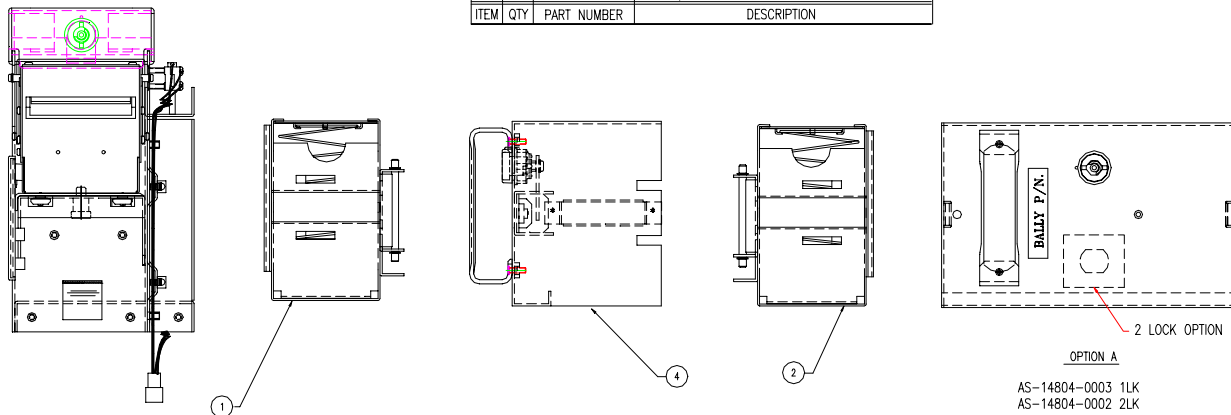
AS-14804-0004 1LK
AS-14804-0005 2LK

**Bill Acceptor
AS-14560-series (cont.)**



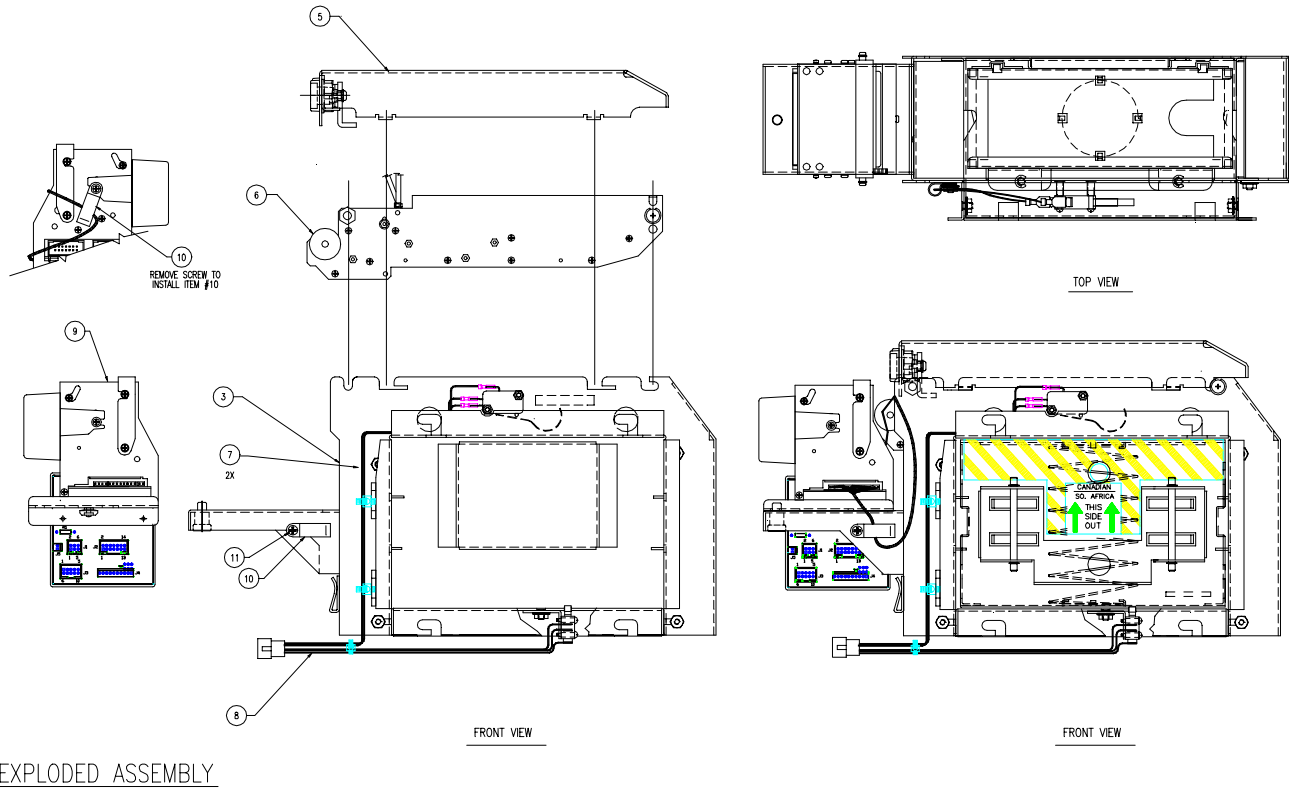
EXPLODED ASSEMBLY

11	1	TTPP-00632-1104	SCREW, 6-32 X 1/4 THD. FORM PHIL PAN HD.
10	2	C-00760	CLIP, CABLE CLAMP
9	1	SEE LEGEND	KIT, BILL ACCEPTOR BILL BOX
8	1	QBL-30433-0001	CABLE, B/A W/DKODE (SF) V7*
7	2	E-00647-0004	CABLE, I/E
6	1	AS-04806-0002	ASSEMBLY, BILL STACKER
5	1	AS-04805-0004	ASSEMBLY, LOCKING COVER, 1 LOCK
4	1	SEE LEGEND	ASSEMBLY, BILL COVER
3	1	AS-04802-0012	ASSEMBLY, STACKER MOUNTING BRACKET
2	1	AS-04217-0115	ASSEMBLY, BILL BOX BLK
1	1	AS-04217-0114	ASSEMBLY, BILL BOX YEL
ITEM	QTY	PART NUMBER	DESCRIPTION

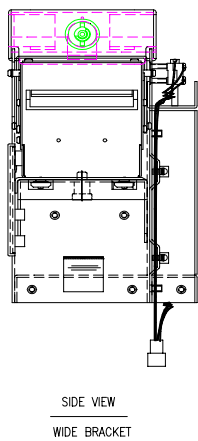


PART NUMBER	DESCRIPTION	ITEM 4 LOCK COVER	ITEM 9 B/A KIT
AS-14560-0055	ASSY, 400 STACKER, 1LK CWR WIDE SA/FRICA	AS-14804-0003	K-00723-0036

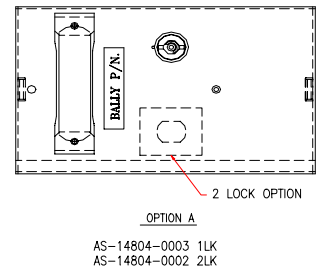
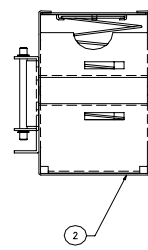
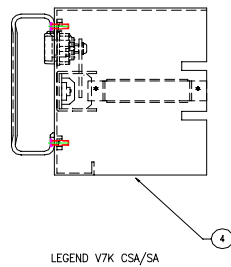
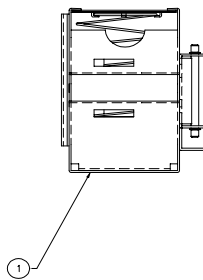
Bill Acceptor AS-14560-series (cont.)



EXPLODED ASSEMBLY

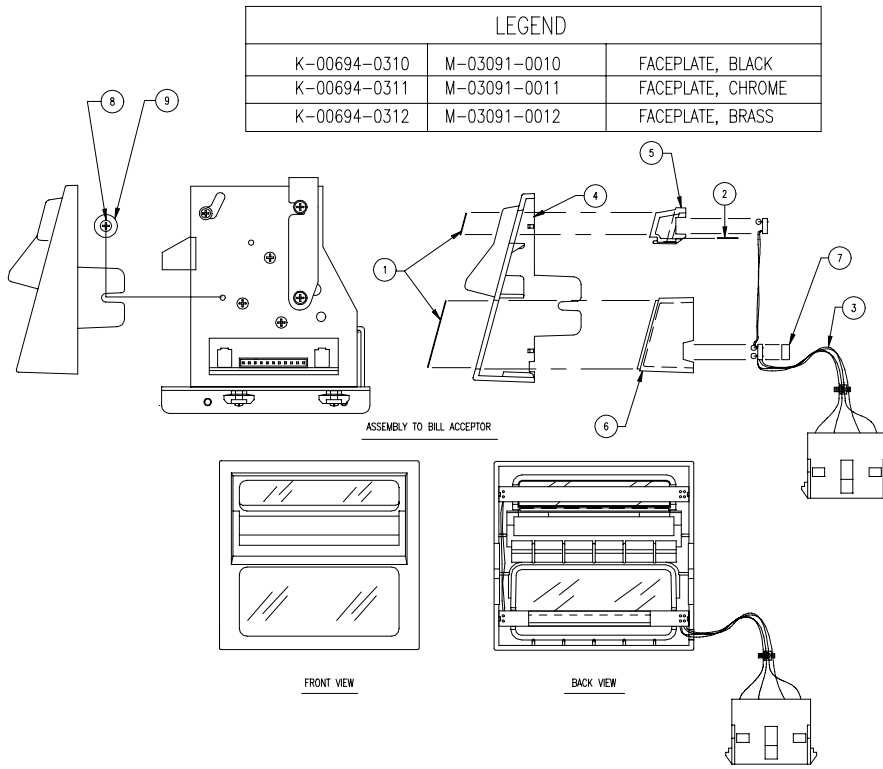


11	1	TFPP-00632-1104	SCREW, 6-32 X 1/4 THD. FORM PHIL PAN HD.
10	2	C-00760	CLIP, CABLE CLAMP
9	1	SEE LEGEND	KIT, BILL ACCEPTOR BILL BOX
8	1	E-00537-7785	CABLE, BILL ACCEPTOR, DOOR SWITCH
7	2	E-00847-0004	CABLE, TIE
6	1	AS-04806-0002	ASSEMBLY, BILL STACKER
5	1	AS-04805-0004	ASSEMBLY, LOCKING COVER, 1 LOCK
4	1	SEE LEGEND	ASSEMBLY, BILL COVER
3	1	AS-04802-0012	ASSEMBLY, STACKER MOUNTING BRACKET
2	1	AS-04217-0115	ASSEMBLY, BILL BOX BLK
1	1	AS-04217-0114	ASSEMBLY, BILL BOX YEL
ITEM	QTY	PART NUMBER	DESCRIPTION



PART NUMBER	DESCRIPTION	ITEM 4 LOCK COVER (C)	ITEM 5 B/A KIT
AS-14560-0053	ASSY, 400 STACKER, 1LK CVR WIDE C.S.A.	AS-14804-0003	K-00723-0035
AS-14560-0060	ASSY, 400 STACKER, 1LK CVR WIDE ITALY	AS-14804-0003	K-00723-0050
AS-14560-0071	ASSY, 400 STACKER, 2LK CVR WIDE ITALY	AS-14804-0002	K-00723-0050

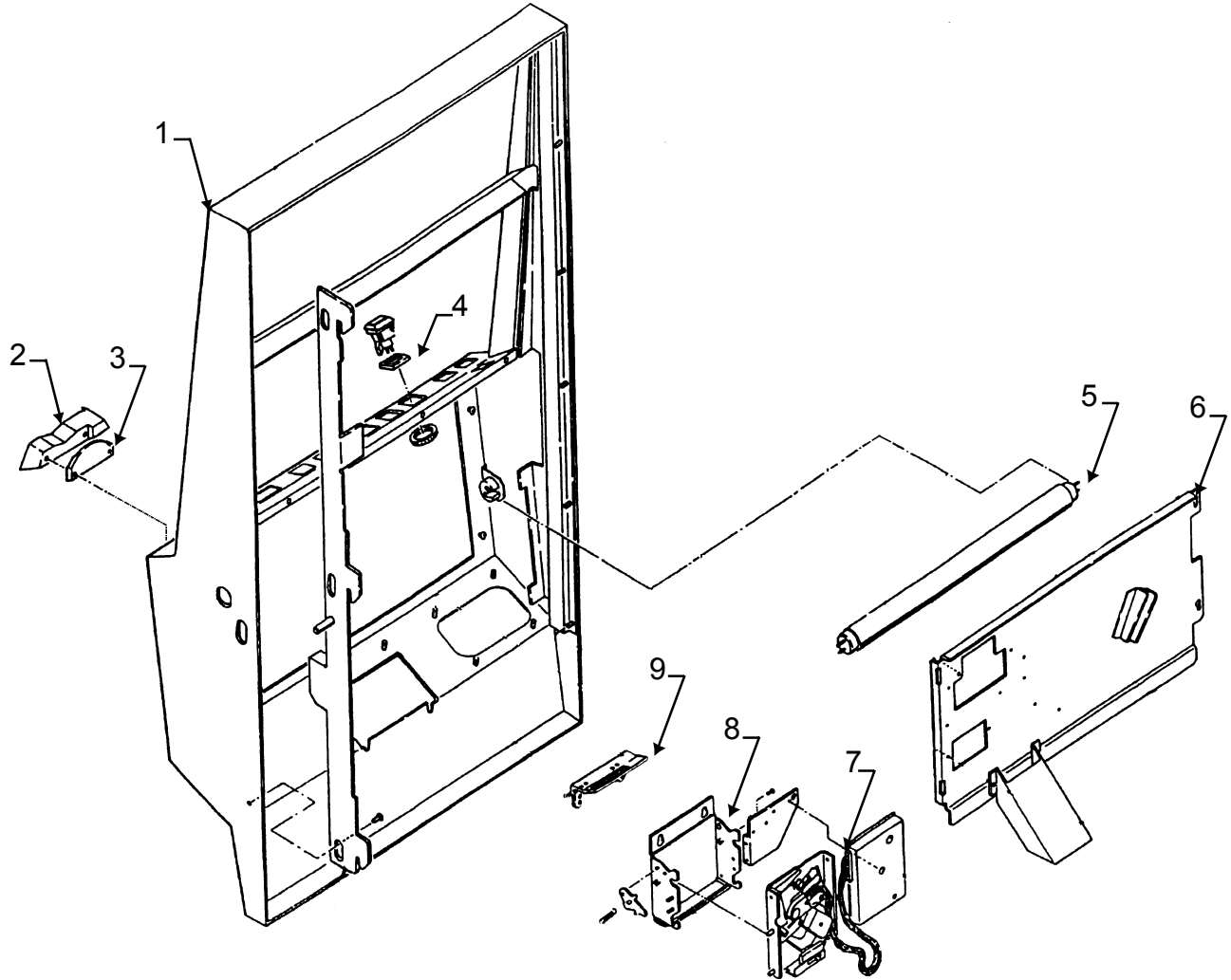
**Bill Acceptor
AS-14560-series (cont.)**



LEGEND		
K-00694-0310	M-03091-0010	FACEPLATE, BLACK
K-00694-0311	M-03091-0011	FACEPLATE, CHROME
K-00694-0312	M-03091-0012	FACEPLATE, BRASS

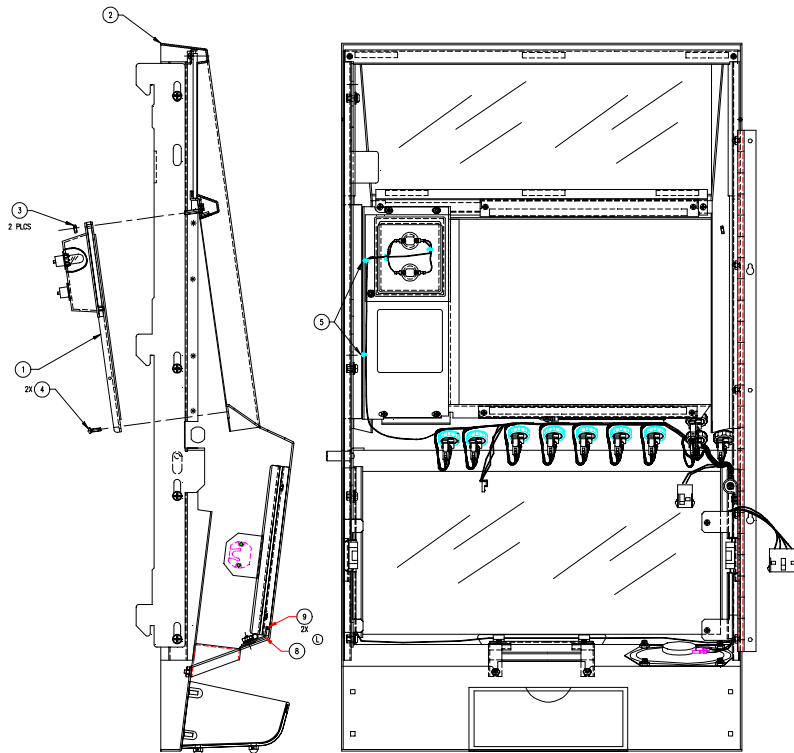
9	2	PW-00004-0012	#4 WASHER
8	2	LSPP-M0350-1206	SCREW, 3.5MM X 9MM, ZINC GOLD
7	1	R-00553-0011	GASKET, 1/8 X 1/4 X 2"
6	1	M-03091-0031	WINDOW, LOWER
5	1	M-03091-0030	WINDOW, UPPER
4	1	SEE LEGEND	FACEPLATE,
3	1	E-00664-0496	LITE, BOARD
2	1	D150-00022-GRN+	DECAL, GREEN FILTER
1	REF.	M-03090-0010	DECAL, RAW
ITEM	QTY	PART NUMBER	DESCRIPTION

V7000 Door Assembly



Door Assembly		
Item	Part #	Description
1	AS-04911-(series)	Door Assembly
2	C-04711-002A	Base, Coin Head, Polished Chrome
	C-04711-003A	Base, Coin Head, Polished Brass
	C-04711-004A	Base, Coin Head, Gold
3	C-04102-(series)	See table of coin-specific parts on page
4	BH-04738-0001	Switch, (HAPP) Retangle, Black, Without Legend
5	E-00412-0013	Lamp, Fluorescent, F15T8/CW
6	AS-03210-0099	Coin Panel Assembly
	AS-03210-0061	Coin Panel Assembly, Wide
7	AS-05001-0100	Coin Acceptor, CC-62 With Ferrite, 5¢-25¢
	AS-05001-0101	Coin Acceptor, CC-62 With Ferrite, \$5-\$25
8	A-01388-077B	Coin Acceptor Mounting Bracket, Narrow
	A-01388-077C	Coin Acceptor Mounting Bracket, Wide
9	P-09319-0297	Bracket, Coin Head Clamp, .7-1.25"
	P-09319-0295	Bracket, Coin Head Clamp, 1.25-2.0"

V7000 Door Assembly AS-04911-Series



9	2	R-00553-0011	GASKET, 1/8 X 1/4 X 2.0 2 SIDED
8	1	P-09319-0359	BKT, GLASS RETAINER, LWR. 55*/V7K
7	A/R	SEE NOTE 3.	SCREW, 6-32 X 1 THD.FORM PHIL PAN HD.
6	A/R	SEE LEGEND	ASSY, JUMPER, B/A DISABLE
5	2	E-00647-0004	TIEWRAP
4	2	TFPP-00632-1105	SCREW, 6-32 X 5/16 THD FORM PHIL PAN HD.
3	2	NLS-00632-1112	NUT, 6-32 KEPS
2	1	SEE LEGEND	DOOR COMMON
1	1	SEE LEGEND	ASSEMBLY FACEPLATE

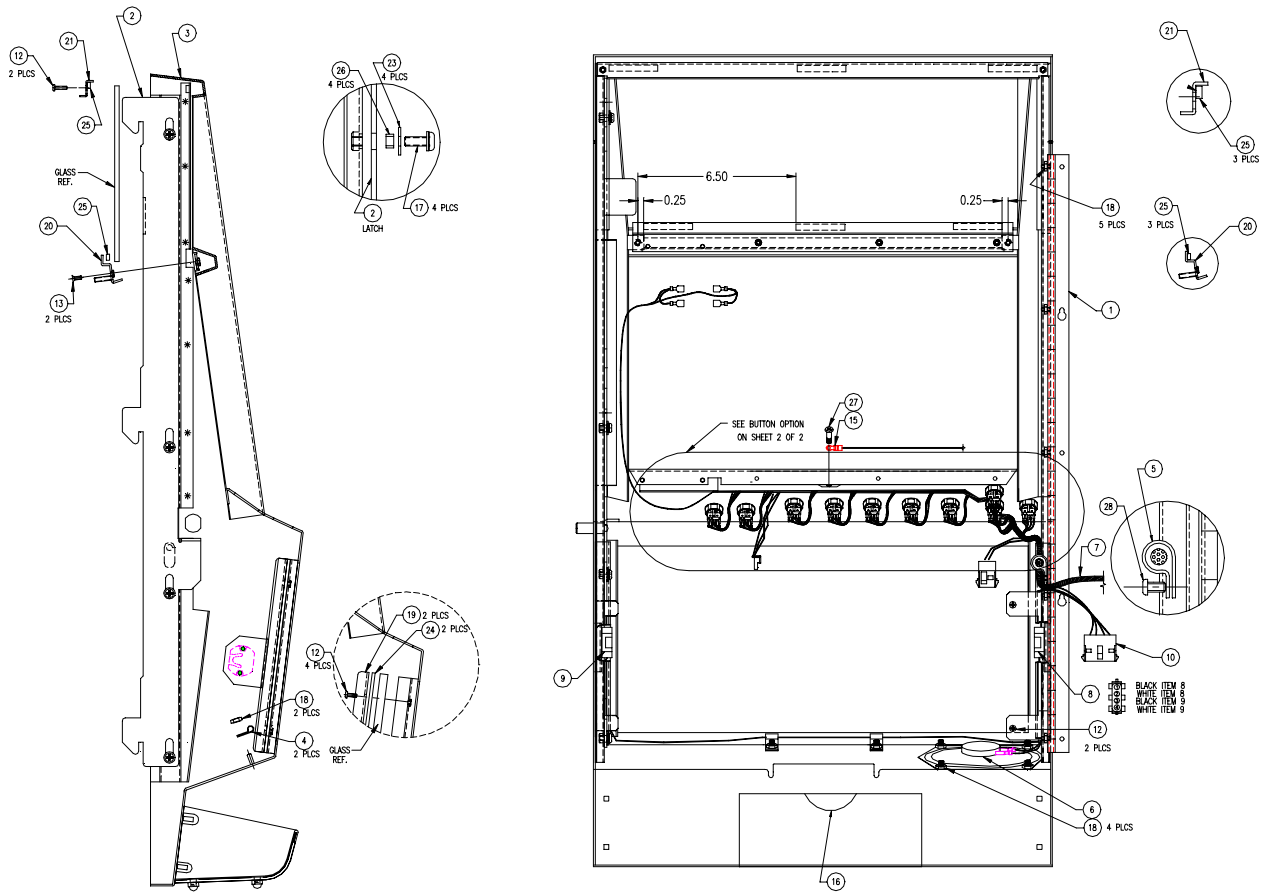
ITEM	QTY	PART NUMBER	DESCRIPTION
------	-----	-------------	-------------

LEGEND

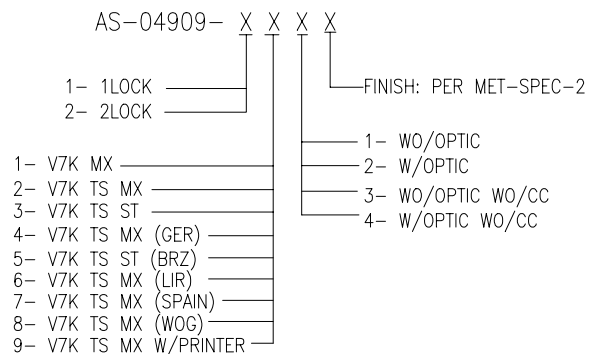
ASSEMBLY NUMBER	DESCRIPTION	ITEM #1 ASSEMBLY FACEPLATE	ITEM #2 DOOR COMMON	ITEM #6 JUMPER, B/A DISABLE
AS-04911-0001	REPLACED BY AS-04911-0003	AS-03365-0101	AS-04909-1111	NOT REQUIRED
AS-04911-0002	DR. CH. 1LK/C/ST/BIL./TS	AS-03365-0101	AS-04909-1311	NOT REQUIRED
AS-04911-0003	DR. CH. 1LK/C/MX/BIL./TS	AS-03365-0101	AS-04909-1211	NOT REQUIRED
AS-04911-0004	REPLACED BY AS-04911-0006	AS-03365-0201	AS-04909-1111	E-00664-0500
AS-04911-0005	DR. CH. 1LK/C/ST/**/TS	AS-03365-0201	AS-04909-1311	E-00664-0500
AS-04911-0006	DR. CH. 1LK/C/MX/**/TS	AS-03365-0201	AS-04909-1211	E-00664-0500
AS-04911-0007	REPLACED BY AS-04911-0008	AS-03365-0102	AS-04909-1112	NOT REQUIRED
AS-04911-0008	DR. BR. 1LK/C/MX/BIL./TS	AS-03365-0102	AS-04909-1212	NOT REQUIRED
AS-04911-0009	REPLACED BY AS-04911-0011	AS-03365-0101	AS-04909-2111	NOT REQUIRED
AS-04911-0010	DR. CH. 2LK/C/ST/BIL./TS	AS-03365-0101	AS-04909-2311	NOT REQUIRED
AS-04911-0011	DR. CH. 2LK/C/MX/BIL./TS	AS-03365-0101	AS-04909-2211	NOT REQUIRED
AS-04911-0012	REPLACED BY AS-04911-0014	AS-03365-0201	AS-04909-2111	E-00664-0500
AS-04911-0013	DR. CH. 2LK/C/ST/**/TS	AS-03365-0201	AS-04909-2311	E-00664-0500
AS-04911-0014	DR. CH. 2LK/C/MX/**/TS	AS-03365-0201	AS-04909-2211	E-00664-0500
AS-04911-0015	REPLACED BY AS-04911-0016	AS-03365-0102	AS-04909-2112	NOT REQUIRED
AS-04911-0016	DR. BR. 2LK/C/MX/BIL./TS	AS-03365-0102	AS-04909-2212	NOT REQUIRED
AS-04911-0017	REPLACED BY AS-04911-0021	AS-03365-0101	AS-04909-1121	NOT REQUIRED
AS-04911-0018	DR. CH. 1LK/C/ST/**/OPTO/TS	AS-03365-0201	AS-04909-1321	E-00664-0500
AS-04911-0019	DR. CH. 1LK/C/ST/BIL./OPTO/TS	AS-03365-0101	AS-04909-1321	NOT REQUIRED
AS-04911-0020	DR. CH. 1LK/C/MX/**/OPTO/TS	AS-03365-0201	AS-04909-1221	E-00664-0500
AS-04911-0021	DR. CH. 1LK/C/MX/BIL./OPTO/TS	AS-03365-0101	AS-04909-1221	NOT REQUIRED
AS-04911-0022	REPLACED BY AS-04911-0024	AS-03365-0104	AS-04909-1114	NOT REQUIRED
AS-04911-0023	DR. GL. 1LK/C/ST/BIL./TS	AS-03365-0104	AS-04909-1314	NOT REQUIRED
AS-04911-0024	DR. GL. 1LK/C/MX/BIL./TS	AS-03365-0104	AS-04909-1214	NOT REQUIRED
AS-04911-0025	DR. BR. 2LK/C/MX/**/TS	AS-03365-0202	AS-04909-2212	E-00664-0500
AS-04911-0026	REPLACED BY AS-04911-0028	AS-03365-0101	AS-04909-1131	NOT REQUIRED
AS-04911-0027	DR. CH. 1LK/**/ST/BIL./TS	AS-03365-0101	AS-04909-1331	NOT REQUIRED
AS-04911-0028	DR. CH. 1LK/**/MX/BIL./TS	AS-03365-0101	AS-04909-1231	NOT REQUIRED
AS-04911-0029	REPLACED BY AS-04911-0031	AS-03365-0201	AS-04909-1131	E-00664-0500
AS-04911-0030	DR. CH. 1LK/**/ST/**/TS	AS-03365-0201	AS-04909-1331	E-00664-0500

ASSEMBLY NUMBER	DESCRIPTION	ITEM #1 ASSEMBLY FACEPLATE	ITEM #2 DOOR COMMON	ITEM #6 JUMPER, B/A DISABLE
AS-04911-0031	DR. CH. 1LK/**/MX/**/TS	AS-03365-0201	AS-04909-1231	E-00664-0500
AS-04911-0032	REPLACED BY AS-04911-0033	AS-03365-0102	AS-04909-1132	NOT REQUIRED
AS-04911-0033	DR. BR. 1LK/**/MX/BIL./TS	AS-03365-0102	AS-04909-1232	NOT REQUIRED
AS-04911-0034	REPLACED BY AS-04911-0036	AS-03365-0101	AS-04909-2131	NOT REQUIRED
AS-04911-0035	DR. CH. 2LK/**/ST/BIL./TS	AS-03365-0101	AS-04909-2331	NOT REQUIRED
AS-04911-0036	DR. CH. 2LK/**/MX/BIL./TS	AS-03365-0101	AS-04909-2231	NOT REQUIRED
AS-04911-0037	REPLACED BY AS-04911-0039	AS-03365-0201	AS-04909-2131	E-00664-0500
AS-04911-0038	DR. CH. 2LK/**/ST/**/TS	AS-03365-0201	AS-04909-2331	E-00664-0500
AS-04911-0039	DR. CH. 2LK/**/MX/**/TS	AS-03365-0201	AS-04909-2231	E-00664-0500
AS-04911-0040	REPLACED BY AS-04911-0041	AS-03365-0102	AS-04909-2132	NOT REQUIRED
AS-04911-0041	DR. BR. 2LK/**/MX/BIL./TS	AS-03365-0102	AS-04909-2232	NOT REQUIRED
AS-04911-0042	REPLACED BY AS-04911-0043	AS-03365-0202	AS-04909-1132	E-00664-0500
AS-04911-0043	DR. BR. 1LK/C/MX/**/TS	AS-03365-0202	AS-04909-1212	E-00664-0500
AS-04911-0044	REPLACED BY AS-04911-0025	AS-03365-0202	AS-04909-2112	E-00664-0500
AS-04911-0045	REPLACED BY AS-04911-0046	AS-03365-0202	AS-04909-1132	E-00664-0500
AS-04911-0046	DR. BR. 1LK/**/MX/**/TS	AS-03365-0202	AS-04909-1232	E-00664-0500
AS-04911-0047	REPLACED BY AS-04911-0048	AS-03365-0202	AS-04909-2132	E-00664-0500
AS-04911-0048	DR. BR. 2LK/**/MX/**/TS	AS-03365-0202	AS-04909-2232	E-00664-0500
AS-04911-0049	DR. GL. 1LK/C/ST/**/TS	AS-03365-0204	AS-04909-1314	E-00664-0500
AS-04911-0050	DR. GL. 1LK/C/MX/**/TS	AS-03365-0204	AS-04909-1214	E-00664-0500
AS-04911-0051	DR. CH. 2LK/C/MX/**/TS GERM.	AS-03365-0201	AS-04909-2411	E-00664-0500
AS-04911-0052	DR. CH. 1LK/C/PLMX/**/TS/BRZ	AS-03365-0201	AS-04909-1511	E-00664-0500
AS-04911-0053	SEE SEPARATE DRAWING			
AS-04911-0054	DR. CH. 1LK/C/MX/BIL./TS/LIR	AS-03365-0101	AS-04909-1611	NOT REQUIRED
AS-04911-0055	DR. CH. 1LK/C/MX/**/TS/SPAN	AS-03365-0201	AS-04909-1711	E-00664-0500
AS-04911-0056	DR. CH. 1LK/C/MX/ANCHOR/WOG	AS-03365-0101	AS-04909-1811	NOT REQUIRED
AS-04911-0057	DR. GL. 1LK/C/MX/ANCHOR/WOG	AS-03365-0104	AS-04909-1814	NOT REQUIRED
AS-04911-0058	DR. CH. 1LK/C/MX/TS, SPAIN	AS-03365-0101	AS-04909-1711	NOT REQUIRED
AS-04911-0059	DR. CH. 1LK/C/MX/BIL./TS/PTR	AS-03365-0101	AS-04909-1911	NOT REQUIRED

V7000 Door Assembly (cont.)



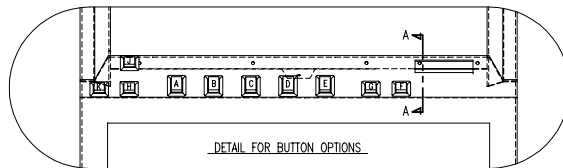
28	1	TFPP-00832-1106	SCREW, 8-32 X 3/8 THD FORM PHIL PAN HD.
27	1	TFPP-00632-1104	SCREW, 6-32 X 1/4 THD FORM PHIL PAN HD.
26	4	S-00231-0942	BUSHING
25	6	R-00553-0011	GASKET, 1/8X1/4X2.0, 2 SIDED
24	2	R-00553-0002	GASKET, 1/8X5/16X8.0, 2 SIDED
23	4	PW-00010-0012	WASHER, PLAIN
22			
21	1	P-09319-054A	BRACKET, FEATURE GLASS RETAINER UPPER
20	1	P-09319-053A	BRACKET, FEATURE GLASS RETAINER LOWER
19	2	P-09319-039A	BRACKET BELLY GLASS RETAINER
18	11	NLS-00832-1112	NUT, 8-32 KEPS
17	4	NLPP-01032-1108	SCREW, 10-32 X 1/2 NYLOK MACH
16	1	M-01777-5415	ENVELOPE, PLASTIC, 7.5 X 3.0
15	1	M-01777-5410	CABLE, DOOR STOP, 14.75 LG.
14			
13	2	MSPF-00632-1106	SCREW, 6-32 X 3/8 MACH PHIL FLAT
12	8	LSPP-00632-1106	SCREW, 6-32 X 3/8 MACH W/LOCK PHIL PAN HD.
11	REF	FO-00484-7625	PLUGGING INFORMATION DOOR/DECK
10	1	E-00804-0004	CONN. HOUSING
9	1	E-00664-0455	ASSEMBLY, LAMP HOLDER, 28"
8	1	E-00664-0248	ASSEMBLY, LAMP HOLDER, 6"
7	1	SEE LEGEND	CABLE, DOOR BUTTON
6	1	E-00281-0019	SPEAKER, 3X5 OVAL QUAM
5	1	C-00271-0009	CLIP, 9/16DX3/8X11/64
4	2	C-00271-0004	CLIP, 1/4DX3/8X11/64
3	1	SEE PLATING OPTION	ASSEMBLY, DOOR FRAME, W
2	1	A-04361-0031	ASSEMBLY, DOOR LATCH
1	1	SEE PLATING OPTION	ASSEMBLY, CABINET HINGE
ITEM	QTY	PART NUMBER	DESCRIPTION



V7000 Door Assembly (cont.)

Legend

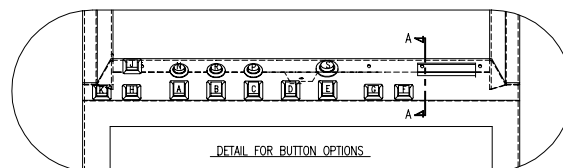
ASSEMBLY NUMBER	DESCRIPTION	OPTIONS	ITEM #10 BUTTON CABLE
AS-04909-1211	DR. CH. 1LK/C/MX/POK/TS	1A,3A,5A,8	CBL-30076-0001
AS-04909-1212	DR. BR. 1LK/C/MX/POK/TS	1A,3B,5B,8	CBL-30076-0001
AS-04909-1214	DR. GL. 1LK/C/MX/POK/TS	1A,3C,5C,8	CBL-30076-0001
AS-04909-1221	DR. CH. 1LK/C/MX/POK/OPTO/TS	1A,3D,5A,7,8	CBL-30111-0001
AS-04909-1231	DR. CH. 1LK/*/MX/POK/TS	1A,3A,6A,8	CBL-30076-0001
AS-04909-1232	DR. BR. 1LK/*/MX/POK/TS	1A,3B,6B,8	CBL-30076-0001
AS-04909-1311	DR. CH. 1LK/C/ST/POK/TS	2A,3A,5A,8	CBL-30076-0002
AS-04909-1314	DR. GL. 1LK/C/ST/POK/TS	2C,3C,5C,8	CBL-30076-0002
AS-04909-1321	DR. CH. 1LK/C/ST/POK/OPTO/TS	2A,3D,5A,7,8	CBL-30111-0002
AS-04909-1331	DR. CH. 1LK/*/ST/POK/TS	2A,3A,6A,8	CBL-30076-0002
AS-04909-2211	DR. CH. 2LK/C/MX/POK/TS	1A,4A,5A,8	CBL-30076-0001
AS-04909-2212	DR. BR. 2LK/C/MX/POK/TS	1A,4B,5B,8	CBL-30076-0001
AS-04909-2231	DR. CH. 2LK/*/MX/POK/TS	1A,4A,6A,8	CBL-30076-0001
AS-04909-2232	DR. BR. 2LK/*/MX/POK/TS	1A,4B,6B,8	CBL-30076-0001
AS-04909-2311	DR. CH. 2LK/C/ST/POK/TS	2A,4A,5A,8	CBL-30076-0002
AS-04909-2331	DR. CH. 2LK/*/ST/POK/TS	2A,4A,6A,8	CBL-30076-0002
AS-04909-2411	DR. CH. 2LK/C/MX/GERM/TS	1B,4A,5A,8	CBL-30076-0001
AS-04909-1511	DR. CH. 1LK/C/PLMX/BZ/TS	10A,3A,5A,8	CBL-30076-0001
AS-04909-1611	DR. CH. 1LK/C/PLMX/LIR/TS	11A,3A,5A,8	CBL-30076-0001
AS-04909-1711	DR. CH. 1LK/C/PLMX/SPAIN/TS	1C,3A,5A,8	CBL-30076-0001
AS-04909-1811	DR. CH. 1LK/C/PLMX/WOG/TS	12A,3E,5A,8	CBL-30076-0001
AS-04909-1814	DR. GL. 1LK/C/PLMX/WOG/TS	12A,3F,5C,8	CBL-30076-0001
AS-04909-1911	DR. CH. 1LK/C/MX/POK/TS/PTR	1D,3A,5A,8	CBL-30076-0001



ITEM	QTY	PART NUMBER	PART NUMBER	PART NUMBER	PART NUMBER	DESCRIPTION
1-K	1	AS-04738-0015	AS-04738-0039	AS-04738-0063	AS-04738-0024	SWITCH, SQ. BLK. CASH/CREDITS (OR PRINT TICKET)
1-J	1	AS-04738-0007	AS-04738-0038	AS-04738-0062	AS-04738-0092	SWITCH, SQ. BLK. CHANGE RED (OR SERVICE)
1-H	1	AS-04738-0005	AS-04738-0037	AS-04738-0060	AS-04738-0055	SWITCH, SQ. BLK. BET ONE
1-G	1	AS-04738-0004	AS-04738-0040	AS-04738-0059	AS-04738-0004	SWITCH, SQ. BLK. MAX BET \BET 10
1-F	1	AS-04738-0053	AS-04738-0041	AS-04738-0064	AS-04738-0003	SWITCH, SQ. BLK. DEAL/DRAW
1-A/E	5	AS-04745-0001	AS-04745-0022	AS-04745-0036	AS-04745-0001	SWITCH, RECT. BLK. HOLD/CANCEL

ENGLISH POKER GERMAN POKER SPANISH POKER ENGLISH POKER W/PRINTER

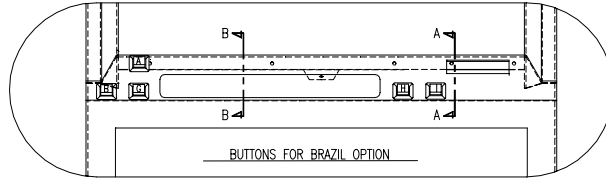
OPTION 1A OPTION 1B OPTION 1C OPTION 1D



ITEM	QTY	PART NUMBER	DESCRIPTION
1-S	1	AS-04794-0002	SWITCH, MED RND. BLK. SPIN THE WHEEL
1-R	1	AS-04792-0004	SWITCH, SM. RND. COLL. WHEEL WIN
1-P	1	AS-04792-0003	SWITCH, SM. RND. DOUBLE UP, BLK
1-N	1	AS-04792-0002	SWITCH, SM. RND. DOUBLE UP, RED
1-K	1	AS-04738-0015	SWITCH, SQ. BLK. CASH/CREDITS
1-J	1	AS-04738-0007	SWITCH, SQ. BLK. CHANGE RED
1-H	1	AS-04738-0005	SWITCH, SQ. BLK. BET ONE
1-G	1	AS-04738-0004	SWITCH, SQ. BLK. MAX BET \BET 10
1-F	1	AS-04738-0053	SWITCH, SQ. BLK. DEAL/DRAW
1-A/E	5	AS-04745-0001	SWITCH, RECT. BLK. HOLD/CANCEL

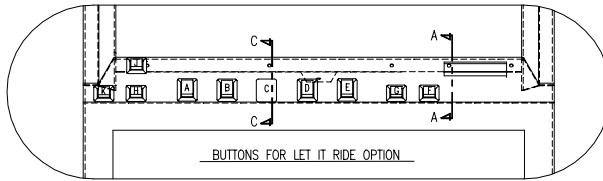
WHEEL OF GOLD ANCHOR
OPTION 12A

V7000 Door Assembly (cont.)



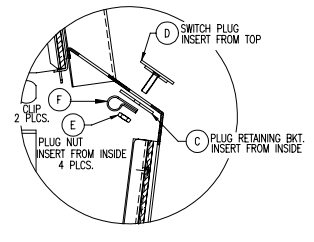
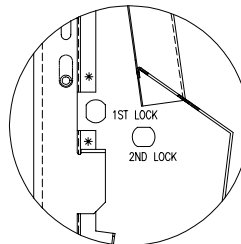
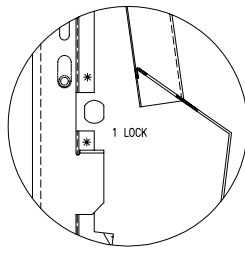
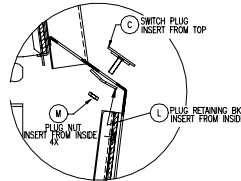
10-F	2	C-00271-0004	C-00271-0004	C-00271-0004	CLIP, 1/4 X 3/8 X 11/64
10-E	4	NLS-00832-1112	NLS-00832-1112	NLS-00832-1112	NUT, 8-32 KEPS
10-D	1	P-09376-0001	P-09376-0002	P-09376-0004	PLATE, TOUCH SCREEN
10-C	1	P-09322-0237	P-09322-0237	P-09322-0237	BRACKET, I.S. STRIP DISCREET HOLE
10-I	1	AS-04738-0058	AS-04738-0058	AS-04738-0058	SWITCH, SQ. BLK. INCIAR (START)
10-H	1	AS-04738-0057	AS-04738-0057	AS-04738-0057	SWITCH, SQ. BLK. APOSTA MAX (BET MAX)
10-G	1	AS-04738-0056	AS-04738-0056	AS-04738-0056	SWITCH, SQ. BLK. APOSTA UM (BET ONE)
10-B	1	AS-04738-0055	AS-04738-0055	AS-04738-0055	SWITCH, SQ. BLK. RECEIVER (CASH/CREDIT)
10-A	1	AS-04738-0054	AS-04738-0054	AS-04738-0054	SWITCH, SQ. BLK. SERVICIO (CHANGE RED)
ITEM	QTY	PART NUMBER	PART NUMBER	PART NUMBER	DESCRIPTION

CHROME BRASS GOLD
 OPTION 10A OPTION 10B OPTION 10C



4-M	4	NLS-01024-1112	NUT, 10-24 KEPS
4-L	1	P-09350-0034	PLATE, BUTTON PLUG MOUNTING
4-K	1	AS-04738-0048	SWITCH, SQ. BLK. BET
4-J	1	AS-04738-0007	SWITCH, SQ. BLK. CHANGE RED
4-H	1	AS-04738-0050	SWITCH, SQ. BLK. COLLECT
4-G	1	AS-04738-0004	SWITCH, SQ. BLK. MAX BET
4-F	1	AS-04738-0049	SWITCH, SQ. BLK. DEAL
4-E	1	AS-04745-0035	SWITCH, RECT. BLK. NO
4-D	1	AS-04745-0034	SWITCH, RECT. BLK. YES
4-C	1	P-09336-0038	PLUG, DECK BUTTON, CHR.
4-B	1	AS-04745-0037	SWITCH, RECT. BLK. TOUR/BONUS
4-A	1	AS-04745-0032	SWITCH, RECT. BLK. HELP
ITEM	QTY	PART NUMBER	DESCRIPTION

LET IT RIDE
 POKER BONUS
 OPTION 11A



3-C	1	A-04382-001B	A-04382-002B	A-04382-004B	A-04382-001B	A-04391-0001	A-04391-0004	ASSEMBLY, DOOR FRAME, W 1LK
3-B								
3-A	1	A-04270-007A	A-04270-0017	A-04270-0017	A-04270-007A	A-04270-007A	A-04270-0017	ASSEMBLY, CABINET HINGE
ITEM	QTY	PART NUMBER	PART NUMBER	PART NUMBER	PART NUMBER	PART NUMBER	PART NUMBER	DESCRIPTION

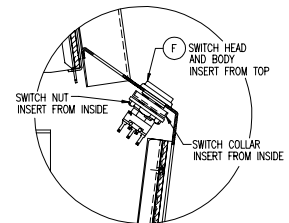
CHROME BRASS GOLD CHROME WITH OPTIC WHEEL OF GOLD CHROME WHEEL OF GOLD GOLD
 OPTION 3A OPTION 3B OPTION 3C OPTION 3D OPTION 3E OPTION 3F

PLATED OPTIONS 1LK

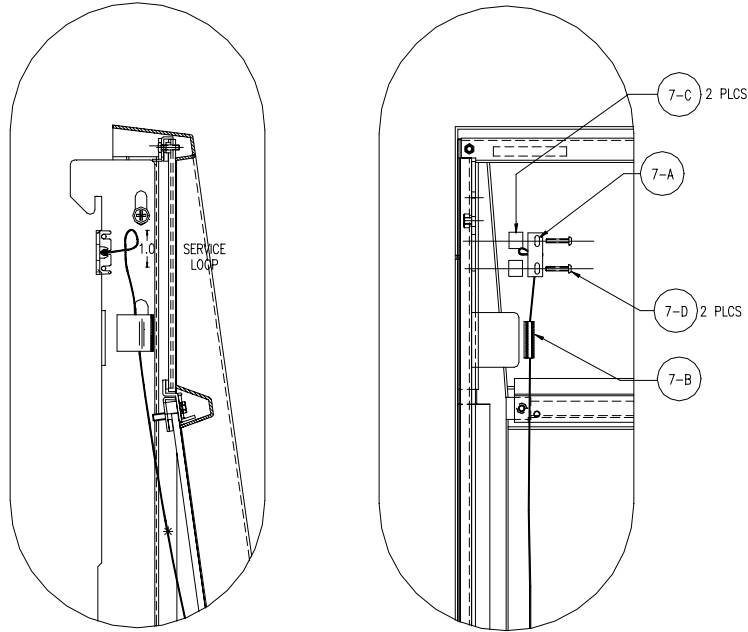
4-C	1	A-04382-101B	A-04382-102B	ASSEMBLY, DOOR FRAME, W 2LK
4-B				
4-A	1	A-04270-007A	A-04270-0017	ASSEMBLY, CABINET HINGE
ITEM	QTY	PART NUMBER	PART NUMBER	DESCRIPTION

CHROME BRASS
 OPTION 4A OPTION 4B

PLATED OPTIONS 2LK



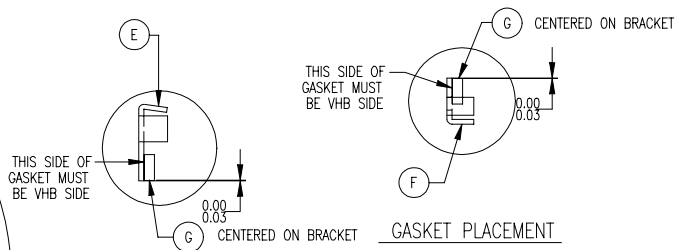
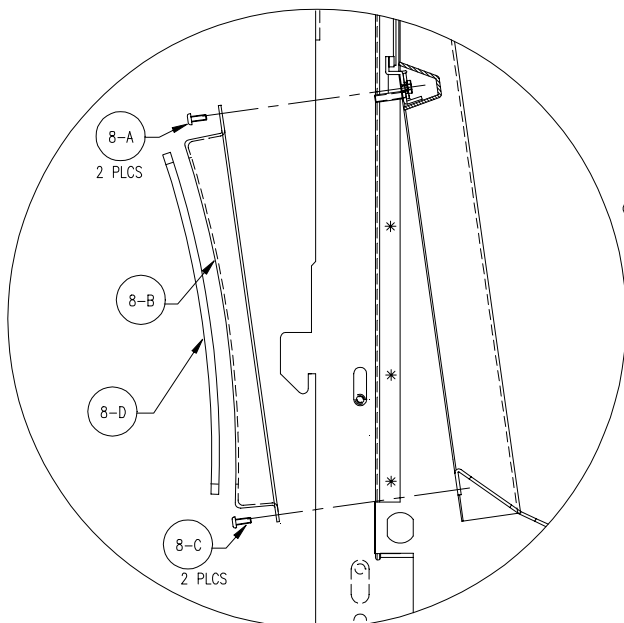
V7000 Door Assembly (cont.)



DETAIL OPTIC EMITTER

7-D	2	TFPP-00440-1110	SCREW, 4-40 X 5/8 THD FORM PHIL PAN HD
7-C	2	M-01514-0044	SPACER, PLASTIC 3/16IDX3/8LG
7-B	1	E-00718	CABLE, HOLDER FLAT
7-A	1	E-00664-0508	ASSEMBLY, DOOR OPTIC EMITTER
ITEM	QTY	PART NUMBER	DESCRIPTION

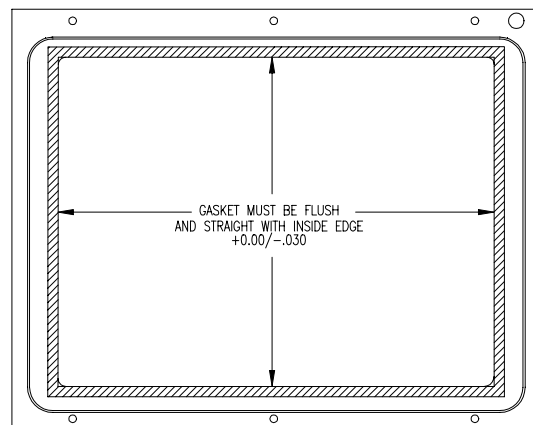
OPTION 7



GASKET PLACEMENT

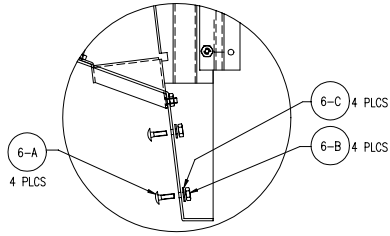
8-D	1	M-01777-5443	GASKET, BEZEL MONITOR
8-C	3	TFPP-00632-1106	SCREW, 6-32 X 3/8 THD FORM PHIL PAN HD.
8-B	1	M-02031-0011	BEZEL, MONITOR, TOUCH SCREEN V7K
8-A	3	LSPP-00632-1106	SCREW, 6-32 X 3/8 MACH W/LOCK PHIL PAN HD.
ITEM	QTY	PART NUMBER	DESCRIPTION

OPTION 8



MONITOR BEZEL
GASKET PLACEMENT

V7000 Door Assembly (cont.)



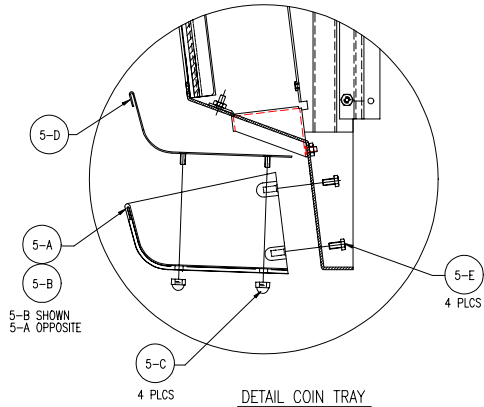
DETAIL NO COIN TRAY

6-C	4	P-00800-0002	P-00800-0002	WASHER
6-B	4	NLS-01024-1112	NLS-01024-1112	NUT, 10-24 KEPS
6-A	4	CBOR-01024-1408	M-01348-0040	CARRAGE BOLT 10-24 X 1/2
ITEM	QTY	PART NUMBER	PART NUMBER	DESCRIPTION

CHROME
OPTION 6A

BRASS
OPTION 6B

COIN TRAY OPTIONS



DETAIL COIN TRAY

5-E	4	TFPP-01032-1106	TFPP-01032-1106	TFPP-01032-1106	SCREW, 10-32 X 3/8 THD FORM PHIL PAN HD.
5-D	1	P-09319-051A	P-09319-051A	P-09319-051A	COIN TRAY, DOOR ASSEMBLY
5-C	4	M-01757-0010	M-01757-0010	M-01757-0010	NUT, ACORN 8-32,
5-B	1	C-04710-0102	C-04710-0104	C-04710-0110	END CAP, COIN CUP LEFT
5-A	1	C-04710-0101	C-04710-0103	C-04710-0109	END CAP, COIN CUP RIGHT
ITEM	QTY	PART NUMBER	PART NUMBER	PART NUMBER	DESCRIPTION

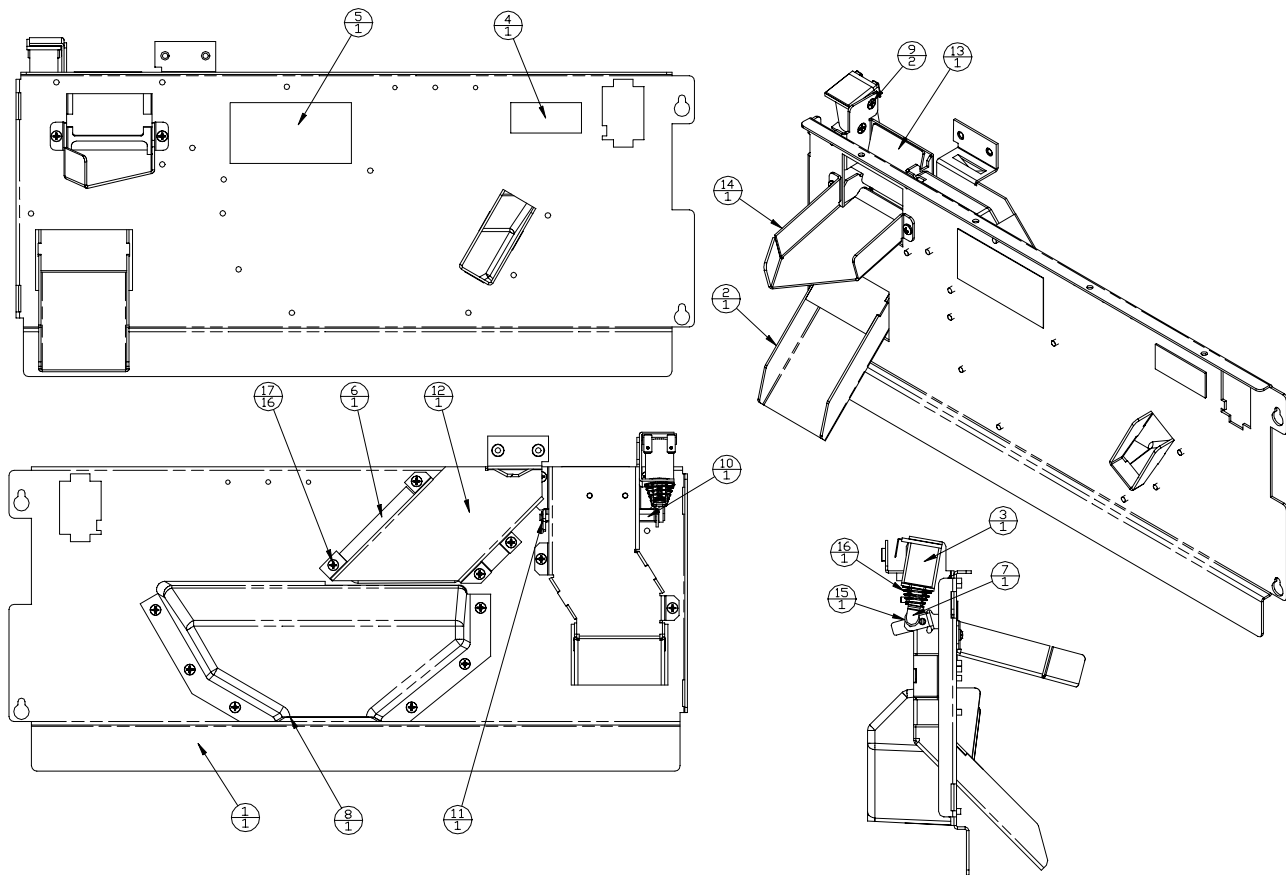
CHROME
OPTION 5A

BRASS
OPTION 5B

GOLD
OPTION 5C

Coin Panel Assembly

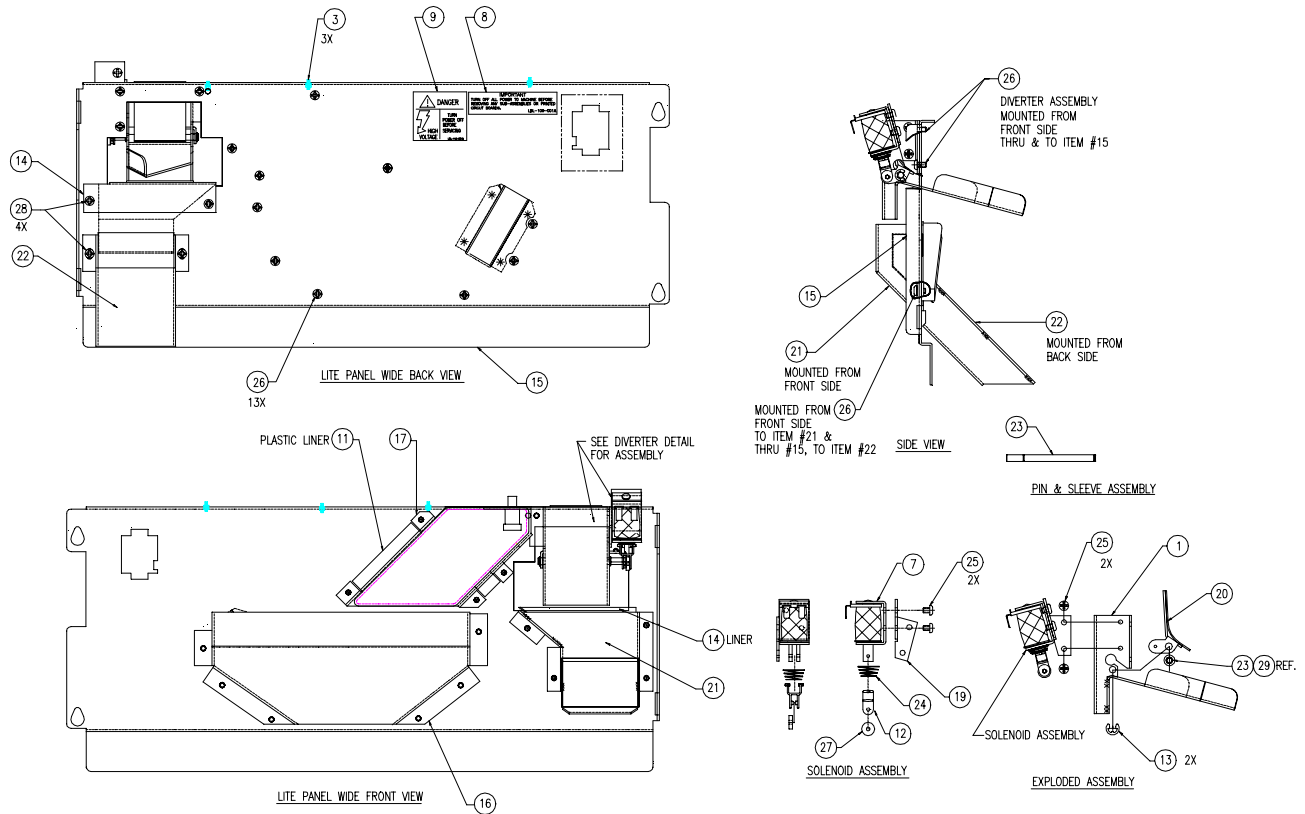
AS-03210-0099



17	16	TFPP-00632-1104	SCREW, 6-32 X 1/4 THD.FORM PHIL PAN HD.
16	1	SP-00200-0246	SPRING, COMPRESSION
15	1	S-00231-1031	SPACER, PLASTIC, DIVERTER LINK
14	1	P-09319-0520	RAMP, COIN HOPPER
13	1	P-09319-0519	DIVERTER, COIN
12	1	P-09319-0399	CHUTE, COIN REJECT
11	1	P-02891-0004	RETAINING RING .156 SHAFT X .025 THK
10	1	P-01638-0003	PIN, PIVOT
9	2	MSPX-00632-1102	SCREW, MACHINE PHIL. FLAT HD. 82 DEG
8	1	M-03112-0001	CHUTE, COIN EXIT
7	1	M-03104-0001	LINK, PLASTIC, CN. DIVERTER
6	1	M-03017-0009	LINER, CHUTE, W/ LOCATING TABS
5	1	LBL-00254-0001	LABEL, POWER OFF
4	1	LBL-00253-0001	LABEL, HIGH VOLTAGE
3	1	E-00947-0019	COIL, DIVERTER
2	1	A-06804-0001	ASSY, COIN CHUTE
1	1	A-06505-0010	ASSY, COIN PANEL
ITEM	QTY	BALLY PART NO.	DESCRIPTION

Coin Panel Assembly, Wide

AS-03210-0061



28	4	TFPP-00632-1106	SCREW, 6-32 X 3/8 THD FORM PHIL PAN HD.
27	1	S-00231-1031	SPACER
26	13	TFPP-00632-1104	SCREW, 6-32 X 1/4 THD FORM PHIL PAN HD.
25	4	TFPP-00632-1103	SCREW, 6-32 X 3/16 THD FORM PHIL PAN HD.
24	1	SP-00200-0246	SPRING, COMPRESSION, CONICAL
23	1	S-00236-0301	Pin, Pivot, Wide, Diverter
22	1	P-09319-012B	DROP CHUTE, LOWER
21	1	P-09319-011B	DROP CHUTE, UPPER
20	1	P-09319-0250	Diverter, Coin, Wide
19	1	P-09319-0249	Bracket, Diverter Solenoid
18			
17	1	P-09319-007B	CHUTE, COIN RETURN
16	1	P-09319-0099	CHUTE, COIN EXIT
15	1	P-09319-0270	Panel, Coin Diverter, Lower
14	1	P-06441-0041	LINER, LITE PANEL DROP CHUTE
13	2	P-02891-0005	RETAINING RING
12	1	M-03104-0001	DIVERTER LINK
11	1	M-03017-0009	CHUTE,LINER, PLASTIC
10			
9	1	LBL-00113-001A	LABEL, HIGH VOLTAGE
8	1	LBL-00154-001A	LABEL, POWER OFF
7	1	E-00947-0018	Coil, Diverter
6			
5			
4			
3	3	E-00647-0004	CABLE TIE
2			
1	1	A-04362-0005	Assembly, Diverter Bracket, Wide
ITEM	QTY	PART NUMBER	DESCRIPTION



Game Maker-7000™ With SX1200 Hopper Coin-Specific Parts

Coin	Dimensions		Denomination Decal	Back Plate	Bracket, Coin Head Clamp	Coin Acceptor	Mounting Bracket	Tower Lens	Tower Color
	Diameter	Thickness							
Dime	0.705" (17.90 mm)	0.053" (1.35 mm)	D100-10C++-BERM	C-04102-003A	P-09319-0297	AS-05001-0105	A-01388-077B	M-02100-0105	Green
Penny	0.750" (19.05 mm)	0.062" (1.57 mm)	D100-1CENT-BERM	C-04102-014A	P-09319-0297	AS-05001-0104	A-01388-077B	M-02100-0102	Red
Nickel	0.825" (20.96 mm)	0.078" (1.98 mm)	D100-.05+-BERM	C-04102-002A	P-09319-0297	AS-05001-0100	A-01388-077B	M-02100-0102	Red
Token .25	0.865" (21.97 mm)	0.067" (1.70 mm)	D100-TOK25-BERM	C-04102-008A	P-09319-0297	AS-05001-0100	A-01388-077B	M-02100-0104	Yellow
Quarter	0.955" (24.26 mm)	0.067" (1.70 mm)	D100-.25+-BERM	C-04102-004A	P-09319-0297	AS-05001-0100	A-01388-077B	M-02100-0104	Yellow
Half	1.205" (30.61 mm)	0.086" (2.18 mm)	D100-50C++-BERM	C-04102-005A	P-09319-0295	AS-05001-0100	A-01388-077B	M-02100-0106	Coral
Dollar	1.500" (38.10 mm)	0.100" (2.54 mm)	D100-\$1+++BERM	C-04103-002A	P-09319-0295	AS-05001-0100	A-01388-077B	M-02100-0103	Blue
\$100	1.595" (40.51 mm)	0.090" (2.29 mm)	D100-\$100+BERM	C-04102-004A	P-09319-0295	AS-05001-0101	A-01388-078C	M-02100-0101	White
\$10	1.740" (44.20 mm)	0.125" (3.18 mm)	D100-\$10+++BERM	C-04103-009A	P-09319-0295	AS-05001-0101	A-01388-078C	M-02100-0107	Purple
\$5	1.750" (44.45 mm)	0.125" (3.18 mm)	D100-\$5+++BERM	C-04103-003A	P-09319-0295	AS-05001-0101	A-01388-078C	M-02100-0107	Purple
\$25	1.875" (47.625 mm)	0.125" (3.18 mm)	D100-\$25+++BERM	C-04102-005A	P-09319-0295	AS-05001-0101	A-01388-078C	M-02100-0107	Purple
Coin	Coin Knife	Pin Wheel	Shelf Wheel	Shelf Wheel Spacer	Cover Cn. Outlet	Coin Deflector	Agitator	Hopper Bowl Spacer	
Dime	M-03068-0006	P-00842-009B	P-00847-0001	None	P-00838-0011	P-00839	R-00526-0003	S-00231-1028	
Penny	M-03068-0006	P-00842-009B	P-00847-0001	None	P-00838-0011	P-00839	R-00526-0003	S-00231-1028	
Nickel	M-03068-0006	P-00842-009B	P-00847-0028	None	P-00838-0011	P-00839	R-00526-0003	None	
Token .25	M-03068-0006	P-00842-010B	P-00847-0002	None	P-00838-0011	P-00839	R-00526-0003	None	
Quarter	M-03068-0006	P-00842-010B	P-00847-0002	None	P-00838-0011	P-00839	R-00526-0003	None	
Half	M-03068-0006	P-00842-010B	P-00847-0003	None	P-00838-0011	P-00839	R-00526-0003	None	
Dollar	M-03068-0006	P-00842-011B	P-00847-0006	None	P-00838-0011	P-00839	R-00526-0003	None	
\$100	M-03068-0006	P-00842-013A	P-00847-0014	None	P-00838-0012	P-00839	R-00526-0001	None	
\$10	M-03068-0007	A-04308-001A	P-00847-0025	P-00847-0024	P-00838-0012	P-00839-0004	R-00526-0001	None	
\$5	M-03068-0007	A-04308-001A	P-00847-0023	P-00847-0024	P-00838-0012	P-00839-0004	R-00526-0001	None	
\$25	M-03068-0007	A-04308-001A	P-00847-0016	P-00847-0022	P-00838-0012	P-00839-0004	R-00526-0001	None	

Game Maker® Casino Parts

Casino Cabinet Assembly



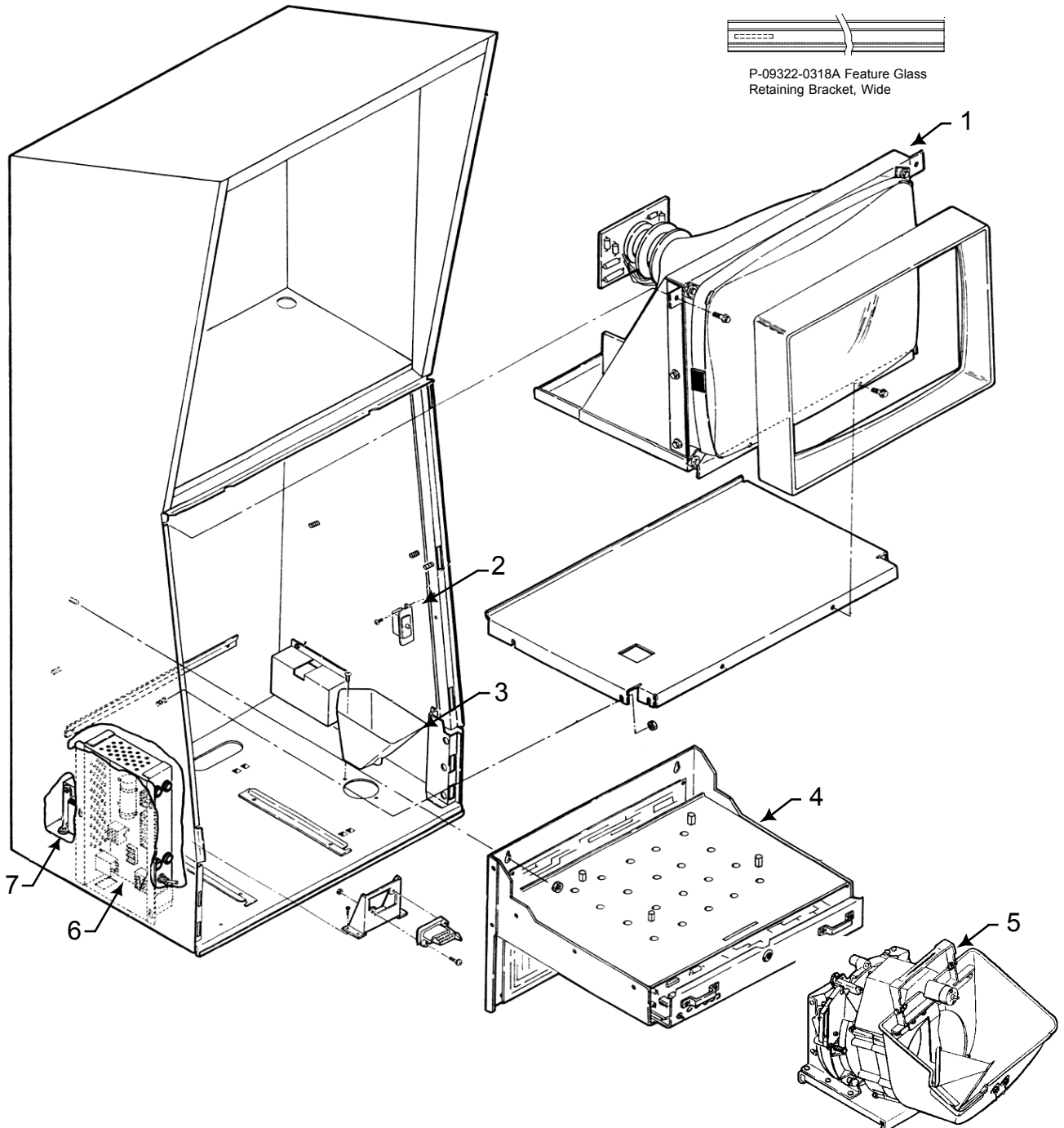
For Feature Glass selections, see Module 3A, Glass and Decals.

For more bracket selections, see Module 10, SDS Parts Reference

Feature Glass Channel				
Part #	Dimension A	Finish	Where Used	Material
M-03100-0001	14 ¹¹ / ₁₆ "	Chrome	W6 & W6E	Extruded Plastic ABS Mylar
M-03100-0002	9 ³ / ₁₆ "		C6 & C6E	
M-03100-0007	14 ¹¹ / ₁₆ "	Brass	W6 & W6E	
M-03100-0008	9 ³ / ₁₆ "		C6 & C6E	



P-09322-0318A Feature Glass Retaining Bracket, Wide

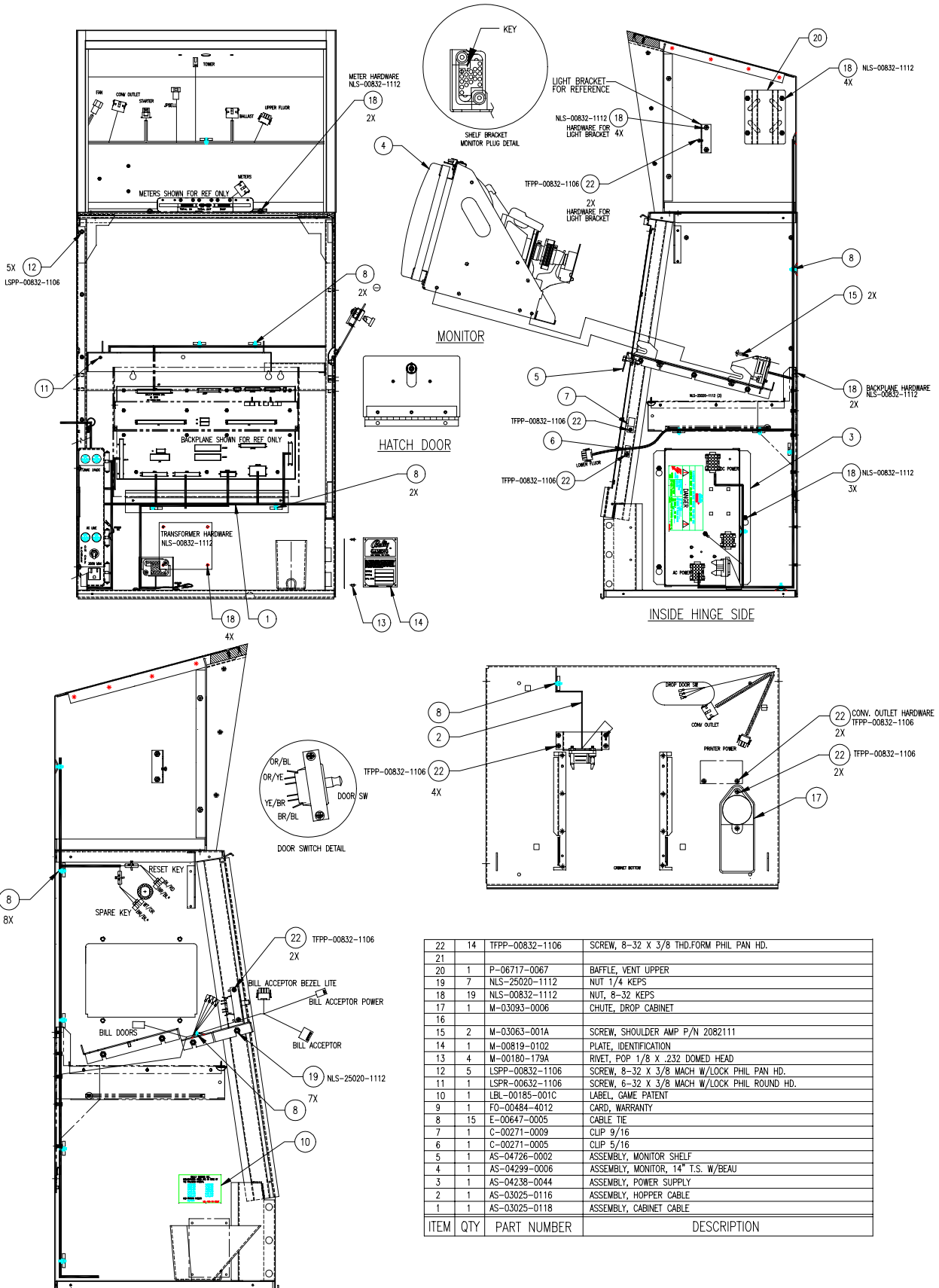




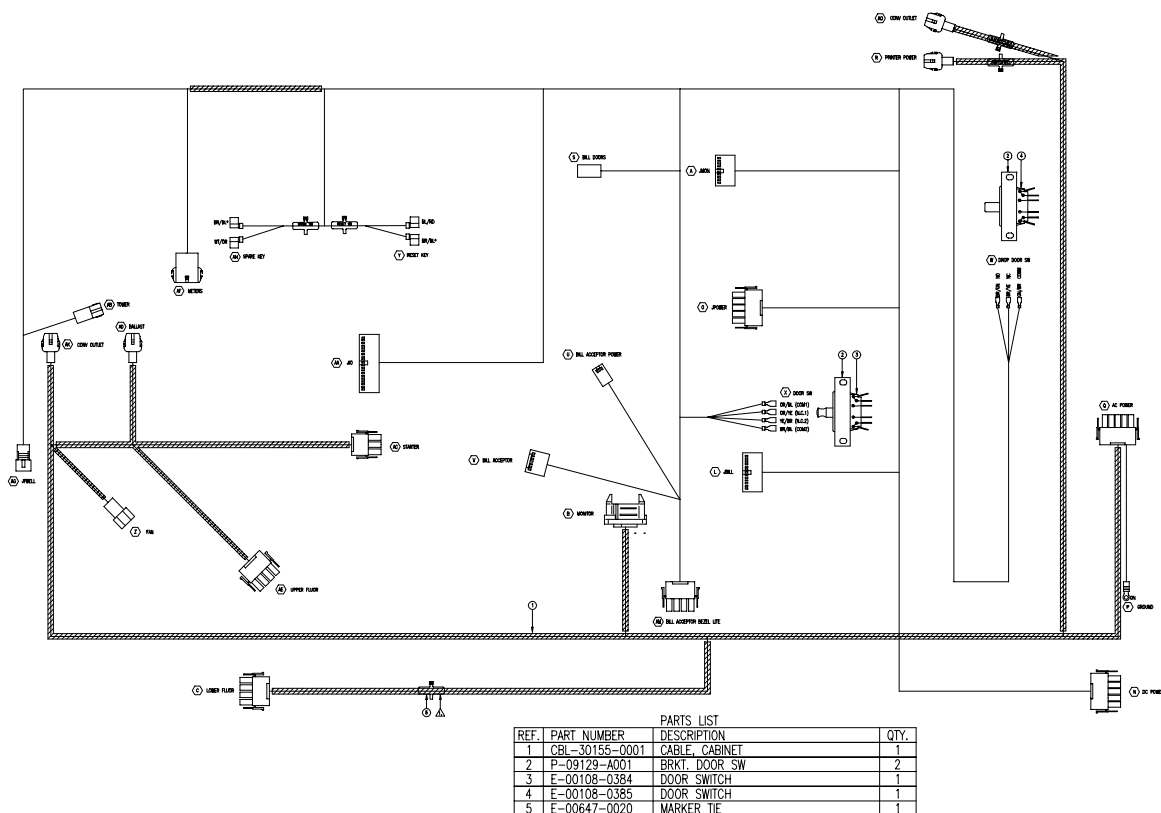
Casino Cabinet Assembly (cont.)

V7000 Casino Cabinet Assembly		
Item	Part#	Description
1	E-00832-0077	Monitor, 14" With Touch Screen
2	E-00108-0384	Switch, Door, Push/Pull
3	M-03093-0006	Chute, Drop
4	AS-04741-0018	Backplane/MPU Board Assembly
5	AS-04790-1001	Hopper, 0.748/0.835D nickel
	AS-04790-1002	Hopper, 0.9033/1.011D quarter
	AS-04790-1003	Hopper, 1.132/1.231D half
	AS-04790-1004	Hopper, 1.398/1.50D dollar
6	AS-04238-0065	Power Supply See page 31.
7	E-00122-0223	Transformer, 120VAC 50/60 Hz. See page 31.
	E-00122-0224	Transformer, 220/240VAC 50/60 Hz. See page 32.
Not Shown	E-00126-series	Line Cord. See selections on page 24.
	E-00664-0499	Fan, Box Type
	TWR (series)	Tower, See page 33
	AS-04225-0031	6-Meter Assembly
	E-00664-0466	Bell and Receptacle. See page 32
	AS-05998-0101	Coin Tray, Chrome and Stainless Steel Plate

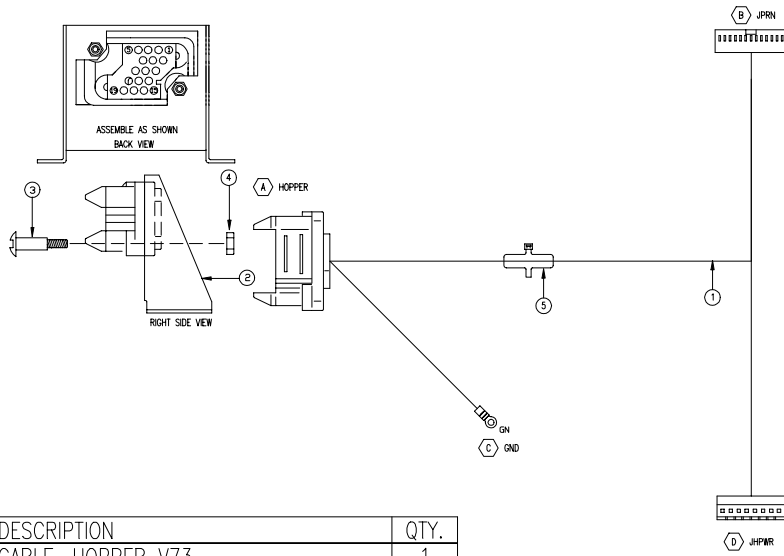
Cabinet Assembly AS-04222-0264



Cabinet Cable Assembly AS-03025-0018

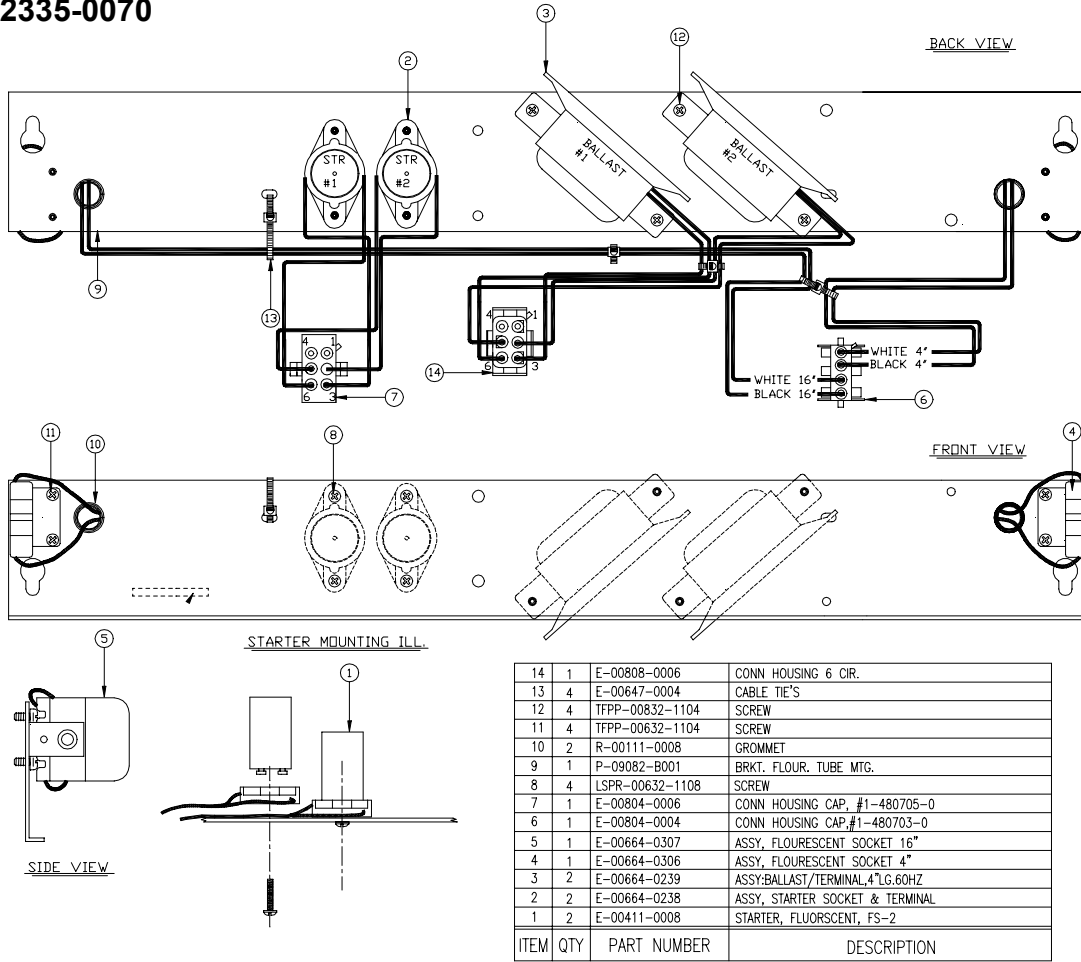


Hopper Cable Assembly AS-03025-0016

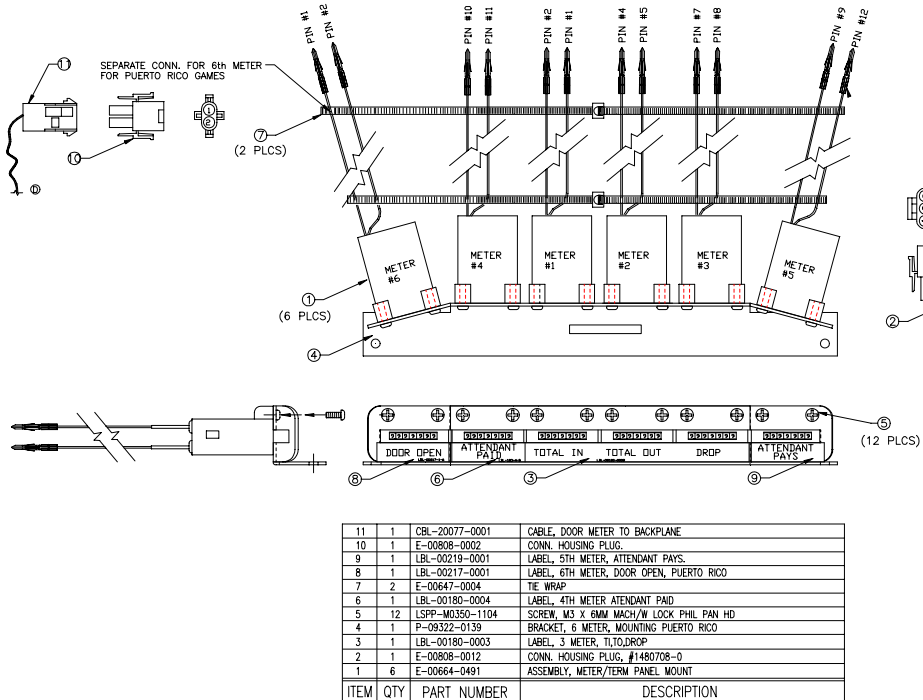


REF.	PART NUMBER	DESCRIPTION	QTY.
1	CBL-30141-0001	CABLE, HOPPER V73	1
2	P-09264-001A	BKT, HOPPER PLUG	1
3	M-03063-001A	SHOULDER SCREW	2
4	M-3064-001A	NUT	2
5	E-00647-0020	MARKER TIE	1

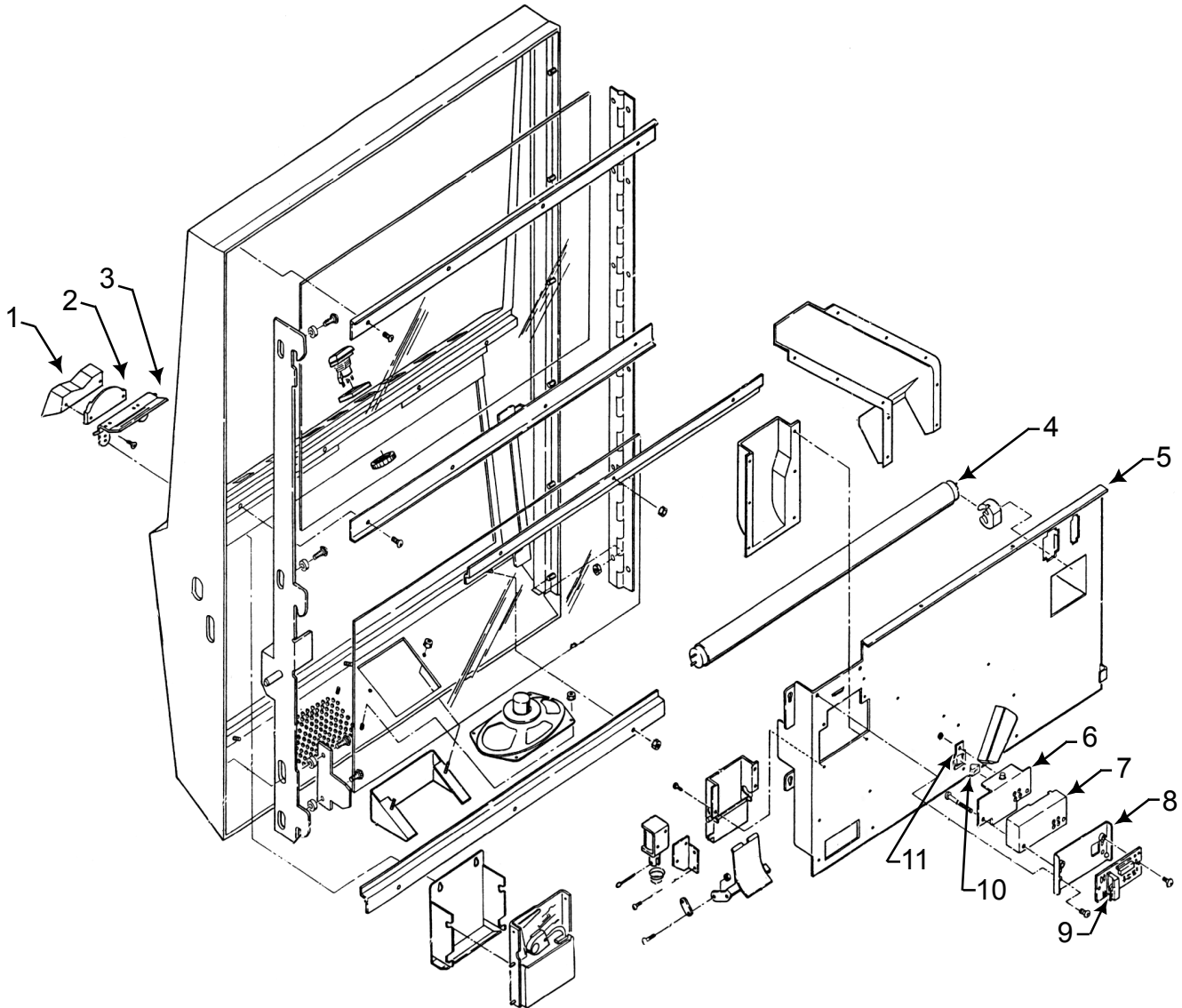
Starter/Ballast, 60Hz. AS-02335-0070



Meter Assembly AS-04225-(series)

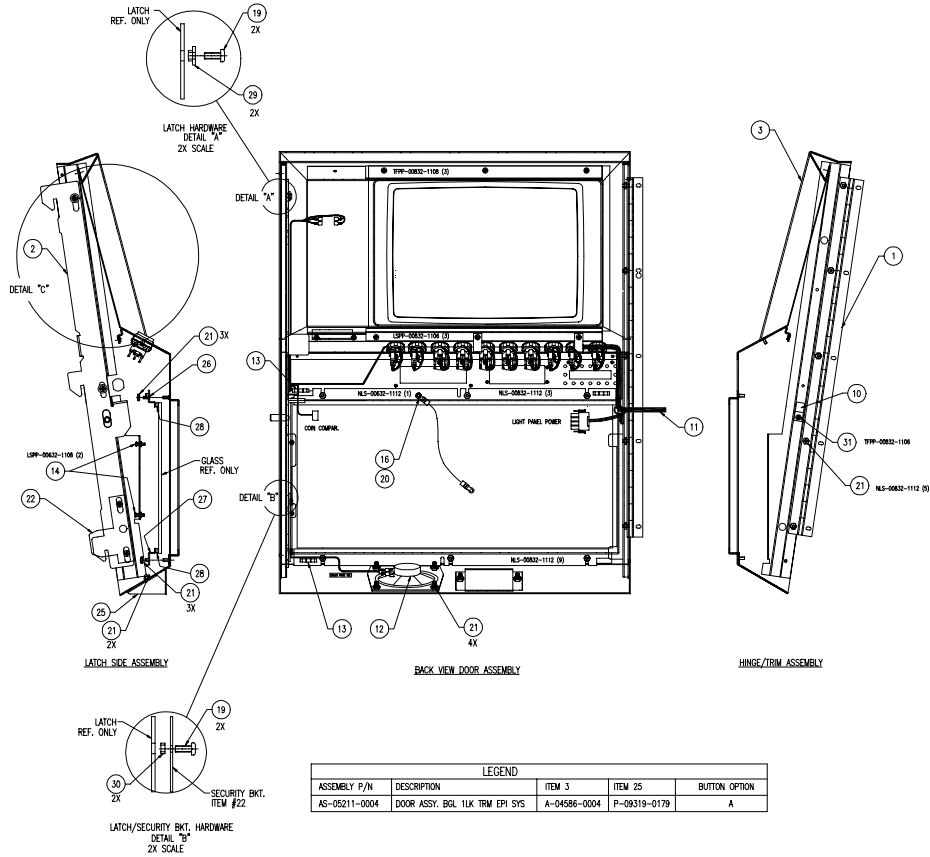


V7000 Casino Door Assembly

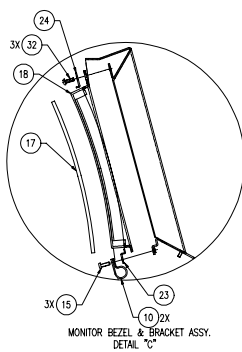
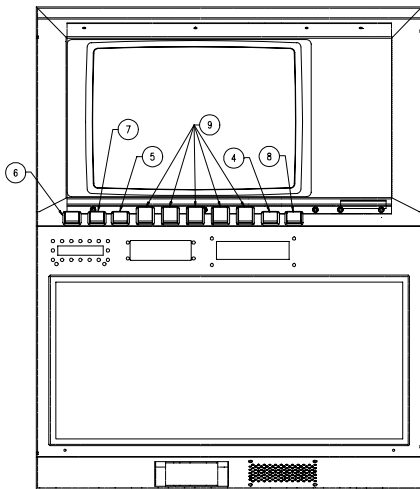


V7000 Casino Door Assembly		
Item	Part #	Description
1	C-04711-002A	Base, Coin Head, Polished Chrome
2	C-04102-(series)	Back Plate. See Table on page 71.
3	P-09319-0200	Guide, Coin, .7 Through 1.3
4	E-00412-0013	Lamp, Fluorescent, F15T8/CW
5	AS-03210-0071	Assembly, Light Panel, Door, Wide
6	P-09319-0267	Plate, Optic Block, Rear
7	M-01755-(series)	Block, Optic Board Mounting. See Table on page 71.
8	P-09319-0269	Plate, Optic Block, Front
9	AS-03356-0303	Assembly, Coin Optic Decoder 2
10	M-01755-0942	Prism, Coin Optic
11	P-09322-0196	Bracket, Prism Mounting

Door Assembly AS-05211-SERIES



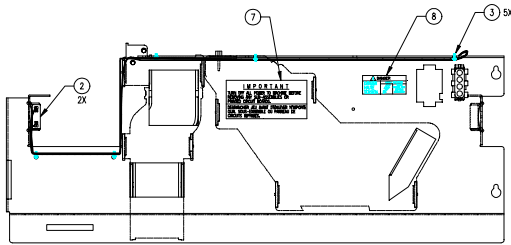
LEGEND				
ASSEMBLY P/N	DESCRIPTION	ITEM 3	ITEM 25	BUTTON OPTION
AS-05211-0004	DOOR ASSY. BGL. 1LK TRM EPI SYS	A-04586-0004	P-09319-0179	A



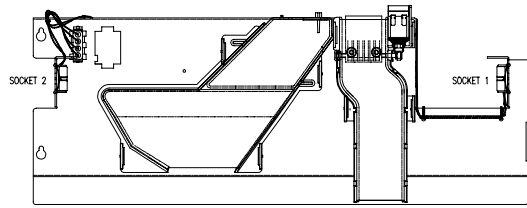
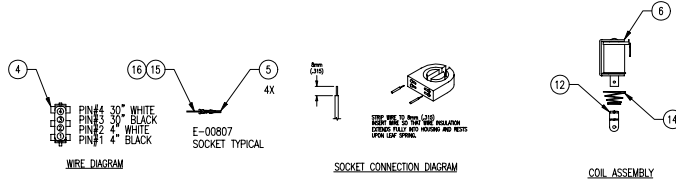
BUTTON OPTION A- ENGLISH		
ITEM #	ASSEMBLY P/N	DESCRIPTION
4	AS-04738-0071	SW. SO. BLK. MAX BET
5	AS-04738-0072	SW. SO. BLK. BET ONE
6	AS-04738-0073	SW. SO. BLK. CHANGE, RED
7	AS-04738-0074	SW. SO. BLK. CASH/CREDIT
8	AS-04738-0075	SW. SO. BLK. DEAL/DRAW/START
9	AS-04738-0070	SW. REST. BLK. HOLD/CANCEL

32	3	TFPP-00832-1108	SCREW, 8-32 X 1/2 THD.FORM PHIL PAN HD.
31	1	TFPP-00832-1106	SCREW, 8-32 X 3/8 THD.FORM PHIL PAN HD.
30	2	S-00231-1023	BUSHING, DOOR LATCH
29	2	S-00231-1022	BUSHING, SHOULDER. DR LATCH
28	2	R-00563-0034	GASKET, 1/16 X 1/4 19.4" 2 SIDED
27	1	P-09322-037A	BRACKET, BELLY GLS. RET. W. LOWER
26	1	P-09322-036A	BRACKET, BELLY GLS. RET. W. UPPER
25	1	SEE LEGEND	CHUTE, COIN EXIT,
24	1	P-09319-0314	BRACKET, UPPER BEZEL MTG.
23	1	P-09319-0313	BRACKET, LOWER BEZEL MTG.
22	1	P-09319-0231	BRACKET, SECURITY, DOOR
21	17	NLS-00832-1112	NUT, 8-32 KEPS
20	1	NLS-00832-1112	NUT, 6-32 KEPS
19	4	NLPP-01032-1108	SCREW, 10-32 X 1/2 NYLOC PHIL PAN HD.
18	1	M-02031-0019	BEZEL, 14" TOUCH SCREEN
17	1	M-01777-5648	GASKET, W/ADHESIVE 1 SIDED
16	1	M-01777-5410	CABLE, DOOR STOP
15	3	LSPP-00832-1106	SCREW, 8-32 X 3/8 MACH W/LOCK PHIL PAN HD.
14	2	LSPP-00632-1108	SCREW, 6-32 X 1/2 MACH W/LOCK PHIL PAN HD.
13	2	E-00647-0004	CABLE TIE,
12	1	E-00281-0019	SPEAKER, 3 X 5 OVAL GUAM
11	1	CBL-30140-0001	CABLE, DOOR
10	3	C-00271-0009	CLIP, 9/16
9	5	SEE LEGEND	SEE LEGEND
8	1	SEE LEGEND	SEE LEGEND
7	1	SEE LEGEND	SEE LEGEND
6	1	SEE LEGEND	SEE LEGEND
5	1	SEE LEGEND	SEE LEGEND
4	1	SEE LEGEND	SEE LEGEND
3	1	SEE LEGEND	ASSY, DOOR. WIDE
2	1	A-04361-0057	ASSY, DOOR LATCH,
1	1	A-04270-0029	HINGE, DOOR, CHR
ITEM	QTY	PART NUMBER	DESCRIPTION

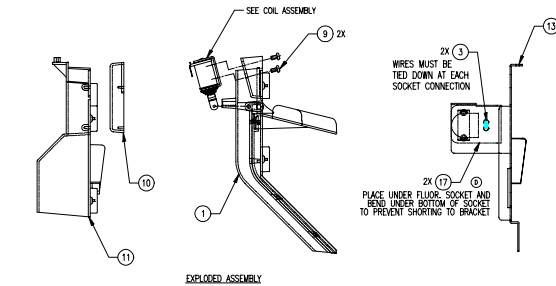
Coin Panel AS-03210-0071



FRONT VIEW ASSEMBLY



BACK VIEW ASSEMBLY



EXPLODED ASSEMBLY

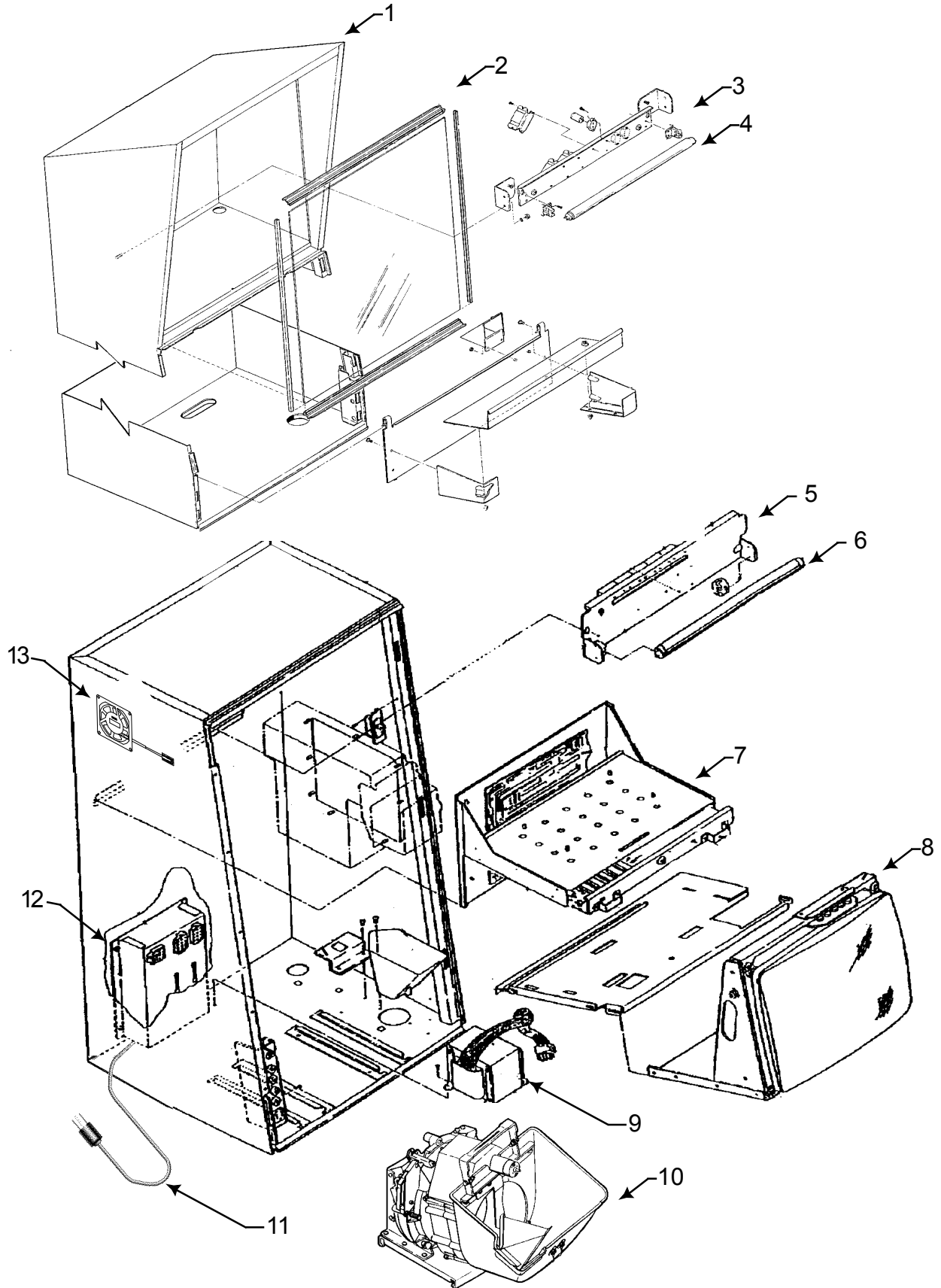
ITEM	QTY	PART NUMBER	DESCRIPTION
17	2	P-00150-0299	INSULATOR, POLYCARBONATE CE97
16	3	WIP-ES202-1880	PVC, SOLID 18 AWG BLACK TYPE TEW
15	3	WIP-ES202-1850	PVC, SOLID 18 AWG WHITE TYPE TEW
14	1	SP-00200-0246	SPRING, COMPRESSION
13	1	P-09319-0366	PANEL, LOWER HOPPER (PLASTIC CHUTE)
12	1	M-03104-0001	LINK, PLASTIC, COIN. DIVERTER
11	1	M-03096-0003	CHUTE, COIN, PLASTIC
10	1	M-03096-0002	LINER, COIN RETURN, PLASTIC
9	2	LSP-00632-1104	SCREW, 6-32 X 1/4 MACH W/LOCK PHIL PAN HD.
8	1	LBL-00254-0001	LABEL, HIGH VOLTAGE
7	1	LBL-00253-0001	LABEL, POWER OFF
6	1	E-00947-0018	COIL, DIVERTER
5	4	E-00807	SOCKET, AMP 24-18 AWG
4	1	E-00804-0004	CONN. HOUSING
3	9	E-00647-0004	CABLE TIE
2	2	E-00120-0266	SOCKET, FLUORESCENT LAMP CE97
1	1	AS-03367-0001	ASSEMBLY, DIVERTER, PLASTIC

Game Maker® Casino With SX1200 Hopper Coin-Specific Parts

Coin	Dimension		Denomination Decal	Back Plate	Bracket, Coin Head Clamp	Coin Guide	Optic Board Mounting Block	Coin Acceptor	Mounting Bracket	Tower Lens	Tower Color
	Dia.	Thick.									
Dime	0.705" (17.90 mm)	0.053" (1.35 mm)	D100-10C++-BERM	C-04102-003A	P-09319-0299	P-09319-0200	M-01755-0965	E-00887-0209	A-01388-0082	M-02100-0205	Green
Penny	0.750" (19.05 mm)	0.062" (1.57 mm)	D100-1CENT-BERM	C-04102-014A	P-09319-0299	P-09319-0200	M-01755-0965	E-00887-0209	A-01388-0082	M-02100-0202	Red
Nickel	0.825" (20.96 mm)	0.078" (1.98 mm)	D100-.05+-BERM	C-04102-002A	P-09319-0299	P-09319-0200	M-01755-0946	E-00887-0201	A-01388-0082	M-02100-0202	Red
Token .25	0.865" (21.97 mm)	0.067" (1.70 mm)	D100-TOK25-BERM	C-04102-008A	P-09319-0299	P-09319-0200	M-01755-0945	E-00887-0201	A-01388-0082	M-02100-0204	Yellow
Quarter	0.955" (24.26 mm)	0.067" (1.70 mm)	D100-.25+-BERM	C-04102-004A	P-09319-0299	P-09319-0200	M-01755-0945	E-00887-0201	A-01388-0082	M-02100-0204	Yellow
Half	1.205" (30.61 mm)	0.086" (2.18 mm)	D100-50C+-BERM	C-04102-005A	P-09319-0299	P-09322-0211	M-01755-0947	E-00887-0205	A-01388-0082	M-02100-0206	Coral
Dollar	1.500" (38.10 mm)	0.100" (2.54 mm)	D100-\$1+-BERM	C-04103-002A	P-09319-0300	P-09322-0211	M-01755-0943	E-00887-0203	A-01388-0082	M-02100-0203	Blue
\$100	1.595" (40.51 mm)	0.090" (2.29 mm)	D100-\$100+-BERM	C-04102-004A	P-09319-0300	P-09322-0211	M-01755-0944	E-00887-0208	A-01388-0082	M-02100-0201	White
\$10	1.740" (44.20 mm)	0.125" (3.18 mm)	D100-\$10+-BERM	C-04103-009A	P-09319-0300	P-09322-0211	M-01755-0944	E-00887-0204	A-01388-0083	M-02100-0207	Purple
\$5	1.750" (44.45 mm)	0.125" (3.18 mm)	D100-\$5+-BERM	C-04103-003A	P-09319-0300	P-09322-0211	M-01755-0944	E-00887-0202	A-01388-0083	M-02100-0207	Purple
\$25	1.875" (47.625 mm)	0.125" (3.18 mm)	D100-\$25+-BERM	C-04102-005A	P-09319-0300	P-09322-0211	M-01755-0948	E-00887-0202	A-01388-0083	M-02100-0207	Purple
Coin	Coin Knife	Pin Wheel	Shelf Wheel	Shelf Wheel Spacer	Cover Cn. Outlet	Coin Deflector	Agitator	Hopper Bowl Spacer	Hopper (Complete)	Hopper With Mixer (Complete)	
Dime	M-03068-0006	P-00842-009B	P-00847-0001	None	P-00838-0011	P-00839	R-00526-0003	S-00231-1028	AS-04790-0007	AS-04790-1007	
Penny	M-03068-0006	P-00842-009B	P-00847-0001	None	P-00838-0011	P-00839	R-00526-0003	S-00231-1028	AS-04790-0001	AS-04790-1001	
Nickel	M-03068-0006	P-00842-009B	P-00847-0028	None	P-00838-0011	P-00839	R-00526-0003	None	AS-04790-0011	AS-04790-1011	
Token .25	M-03068-0006	P-00842-010B	P-00847	None	P-00838-0011	P-00839	R-00526-0003	None	AS-04790-0024	AS-04790-1024	
Quarter	M-03068-0006	P-00842-010B	P-00847-0002	None	P-00838-0011	P-00839	R-00526-0003	None	AS-04790-0002	AS-04790-1002	
Half	M-03068-0006	P-00842-010B	P-00847-0003	None	P-00838-0011	P-00839	R-00526-0003	None	AS-04790-0012	AS-04790-1012	
Dollar	M-03068-0006	P-00842-011B	P-00847-0006	None	P-00838-0011	P-00839	R-00526-0003	None	AS-04790-0017	AS-04790-1017	
\$100	M-03068-0006	P-00842-013A	P-00847-0014	None	P-00838-0012	P-00839	R-00526-0001	None	AS-04790-0020	AS-04790-1020	
\$10	M-03068-0007	A-04308-001A	P-00847-0025	P-00847-0024	P-00838-0012	P-00839-0004	R-00526-0001	None	AS-04790-0005	AS-04790-1005	
\$5	M-03068-0007	A-04308-001A	P-00847-0023	P-00847-0024	P-00838-0012	P-00839-0004	R-00526-0001	None	AS-04790-0006	AS-04790-1006	
\$25	M-03068-0007	A-04308-001A	P-00847-0016	P-00847-0022	P-00838-0012	P-00839-0004	R-00526-0001	None	AS-04790-0006	AS-04790-1006	

V7000 With 20-Inch Monitor and Top Box

V7000 With 20-Inch Monitor and Top Box Cabinet Assembly

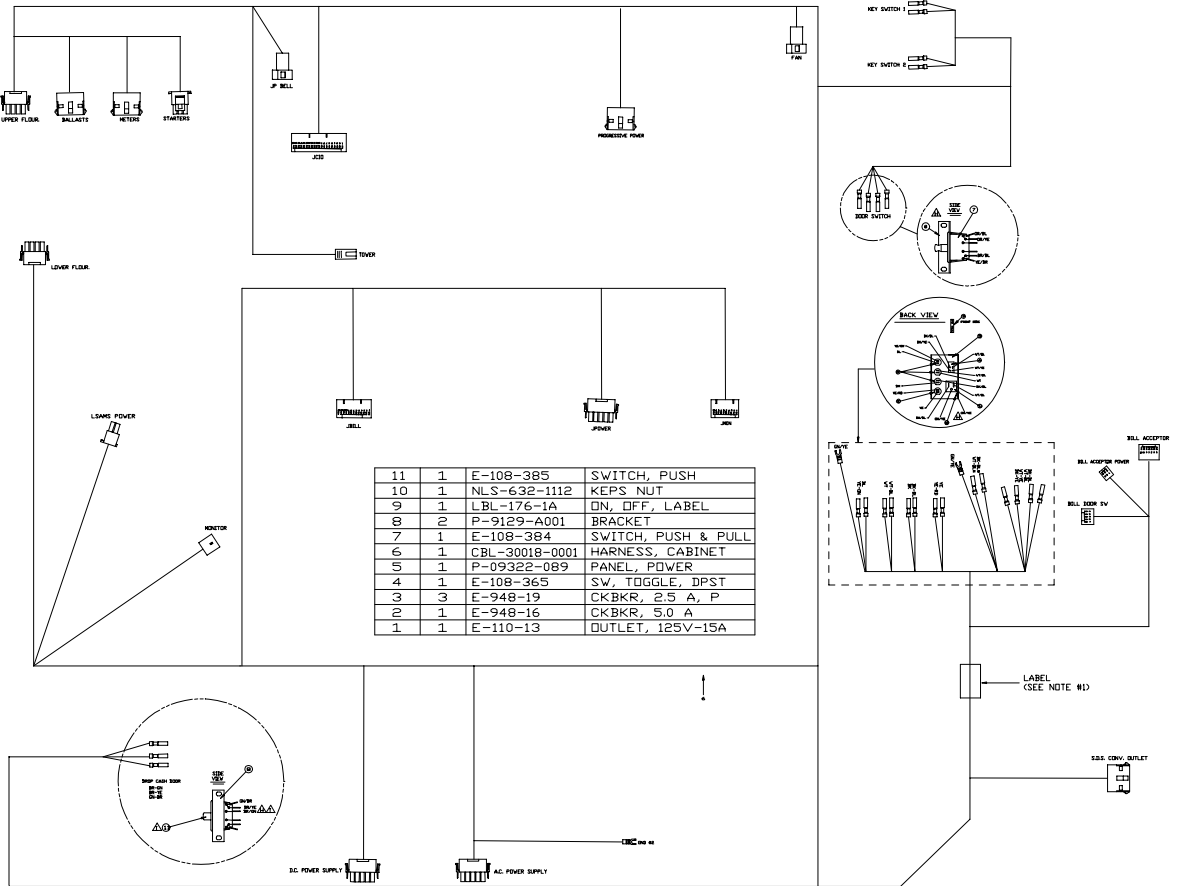




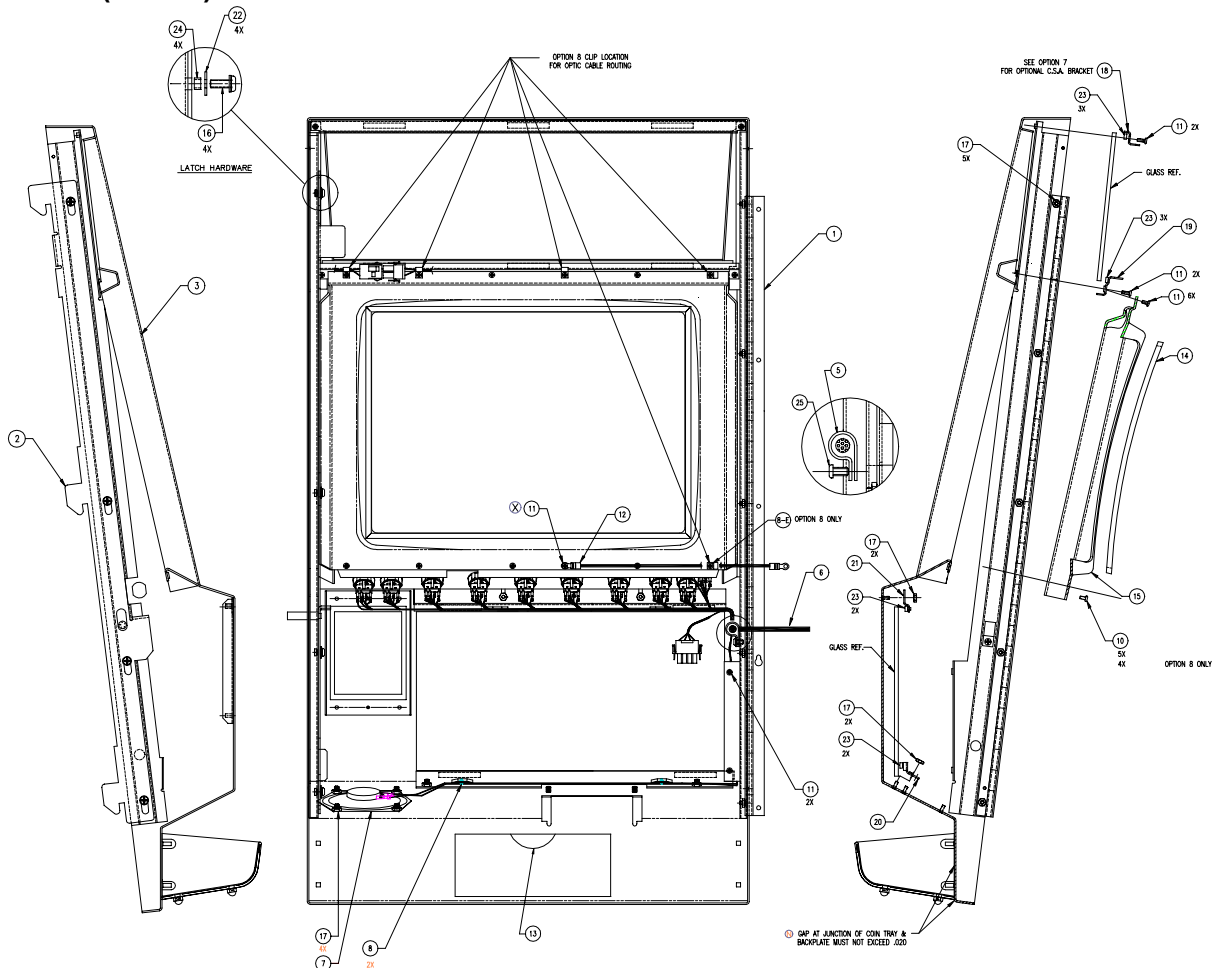
V7000 With 20-Inch Monitor and Top Box Cabinet Assembly (cont.)

V7000 With 20-Inch Monitor and Top Box		
Item	Part #	Description
1	A-07100-0030	Housing, Top Box, Black
2	A-07200-00P1	Door, Top Box, Chrome
3	AS-02335-0080	Starter/Ballast, 60Hz.
	AS-03335-0012	Starter/Ballast, 50Hz.
4	E-00412-0014	Lamp, Fluorescent, F14T8/CW
5	AS-04733-0045	3-Meter Assembly, 60Hz.
	AS-04733-0042	4-Meter Assembly, 50Hz.
6	E-00412-0013	Lamp, Fluorescent, F15T8/CW
7	AS-04741-0014	Backplane/MPU Board Assembly
8	E-00832-0067	Monitor, 20-Inch with Frame
9	E-00122-0223	Transformer, 120V 50/60Hz.
	E-00122-0235	Transformer, 220V 50Hz.
10	AS-04790-1002	Assembly, Hopper 0.903/1.011D (quarter)
	AS-04790-1004	Assembly, Hopper 1.398/1.500D (dollar)
	AS-04790-1003	Assembly, Hopper 1.132/1.231D (half)
	AS-04790-1005	Assembly, Hopper 1.686/1.783D (\$5)
	AS-04790-1006	Assembly, Hopper 1.784/1.875D (\$25)
	AS-04790-1001	Assembly, Hopper 0.748/0.835D (nickel)
	AS-04790-1020	Assembly, Hopper 1.581/1.648D (\$100)
11	E-00126-0120	Line Cord, Modular, 8ft. (Italy)
	E-00126-0121	Line Cord, Modular, 8ft. Domestic
	E-00126-0122	Line Cord, Modular 2.5 meters, Europe
	E-00126-0123	Line Cord, Modular, 8.167 ft. (UK)
	E-00126-0132	Cord Set, Nema 6-15p, 8ft. Domestic
	E-00126-0157	Cord Set, 8.2ft., BS546/IEC320 (South Africa)
12	AS-04238-0053	Assembly, Power Supply CE97
13	E-0064-0499	Fan, Box Type, Molex Assembly

Cabinet Cable/Switch/Power Assembly AS-03025-0064

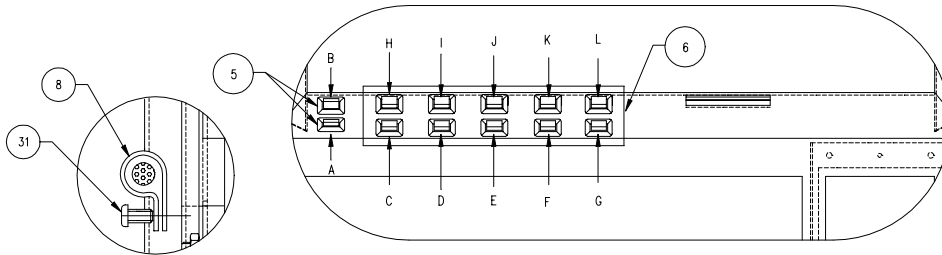
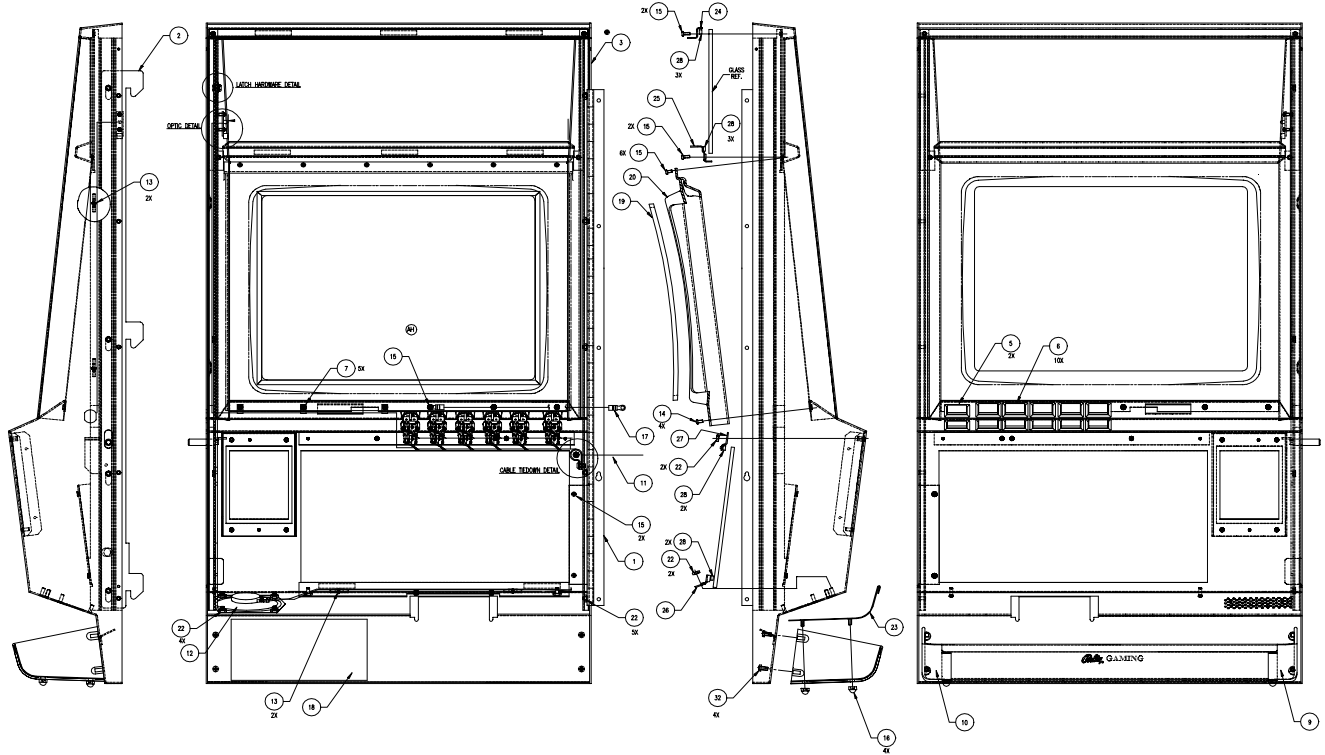


**Door Assembly
AS-04907-(series)**

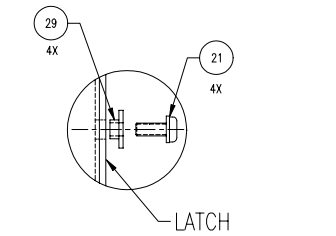


25	1	TFPP-00832-1106	SCREW, 8-32 X 3/8 THD FORM PHIL PAN HD.
24	4	S-00231-0942	BUSHING, LATCH
23	10	R-00553-0011	GASKET, 1/8 X 1/4 X 2.0, 2 SIDED
22	4	PW-00010-0012	WASHER, PLAIN
21	1	P-09350-0089	BRACKET, BELLY GLASS MOUNTING UPPER
20	1	P-09322-0201	BRACKET, BELLY GLASS MOUNTING LOWER
19	1	P-09319-0182	RETAINER, FEATURE GLASS LOWER
18	1	SEE LEGEND	RETAINER, FEATURE GLASS UPPER
17	A/R	SEE LEGEND	NUT, 8-32 KEPS
16	4	NLPP-01032-1108	SCREW, 10-32 X 1/2 NYLOX PHIL PAN HD.
15	1	M-02031-0012	BEZEL, MONITOR, TOUCH
14	1	M-01777-5619	GASKET, 19" BEZEL, BLACK
13	1	M-01777-5415	ENVELOPE, PLASTIC, 7.5 X 3.0
12	1	M-01777-5410	CABLE, DOOR STOP, 14.75 LG.
11	13	LSPP-00632-1106	SCREW, 6-32 X 3/8 MACH W/LOCK PHIL PAN HD.
10	A/R	LSPP-00632-1104	SCREW, 6-32 X 1/4 MACH W/LOCK PHIL PAN HD.
9	REF.	FO-00484-7625	PLUGGING INFO. DOOR/DECK
8	2	E-00647-0004	CABLE TIE
7	1	E-00281-0019	SPEAKER, 3 X 5 OVAL QUAM
6	1	SEE LEGEND	CABLE, DOOR, 19"
5	1	C-00271-0009	CLIP, 9/16D X 3/8 X 11/64
4			
3	1	SEE LEGEND	ASSEMBLY, DOOR, W. 1LK
2	1	SEE LEGEND	ASSEMBLY, DOOR LATCH
1	1	SEE LEGEND	HINGE, DOOR
ITEM	QTY	PART NUMBER	DESCRIPTION

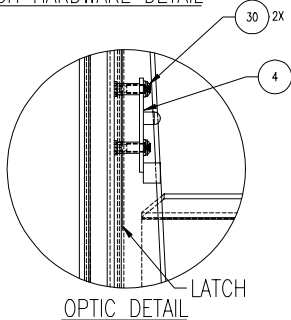
Door Assembly (cont.) AS-04907-(series)



CABLE TIEDOWN DETAIL



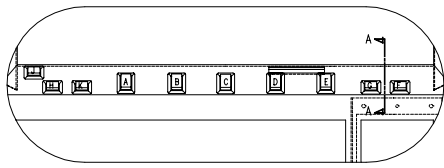
LATCH HARDWARE DETAIL



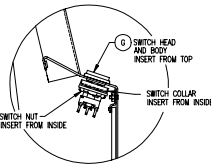
OPTIC DETAIL

ITEM	QTY	PART NUMBER	DESCRIPTION
32	4	TFPP-01032-1106	SCREW, 10-32 X 3/8 THD FORM PHIL PAN HD.
31	1	TFPP-00832-1106	SCREW, 8-32 X 3/8 THD FORM PHIL PAN HD.
30	2	TFPP-00440-1108	SCREW, 4-40 X 1/2 THD FORM PHIL PAN HD.
29	4	S-00231-1022	BUSHING, LATCH
28	10	R-00553-0011	GASKET, 1/8 X 1/4 X 2.0, 2 SIDED
27	1	P-09350-0089	BRACKET, BELLY GLASS MOUNTING UPPER
26	1	P-09322-0201	BRACKET, BELLY GLASS MOUNTING LOWER
25	1	P-09319-0182	RETAINER, FEATURE GLASS LOWER
24	1	P-09319-0181	RETAINER, FEATURE GLASS UPPER
23	1	P-09319-0180	TRAY, COIN, S.S.
22	13	NLS-00832-1112	NUT, 8-32 KEPS
21	4	NLPP-01032-1108	SCREW, 10-32 X 1/2 NYLOX PHIL PAN HD.
20	1	M-02031-0012	BEZEL, MONITOR, TOUCH
19	1	M-01777-5619	GASKET, 19" BEZEL, BLACK
18	1	M-01777-5415	ENVELOPE, PLASTIC, 7.5 X 3.0
17	1	M-01777-5410	CABLE, DOOR STOP, 14.75 LG.
16	4	M-01757-0010	NUT, ACORN 8-32 CHR.
15	15	LSPP-00632-1106	SCREW, 6-32 X 3/8 MACH W/LOCK PHIL PAN HD.
14	4	LSPP-00632-1104	SCREW, 6-32 X 1/4 MACH W/LOCK PHIL PAN HD.
13	2	E-00647-0004	CABLE TIE
12	1	E-00281-0019	SPEAKER, 3 X 5 OVAL QUAM
11	1	CBL-30319-0001	CABLE, DOOR, 19"
10	1	C-04710-0102	CN.TRAY, LEFT CHR. W/HELI-COIL
9	1	C-04710-0101	CN.TRAY, RIGHT CHR. W/HELI-COIL
8	1	C-00271-0009	CLIP, 9/16D X 3/8 X 11/64
7	5	C-00271-0004	CLIP, 1/4D X 3/8 X 11/64
6	10	BH-04745-0001	SWITCH, HAPP, RECT. BLK. WO/LEGEND
5	2	BH-04738-0001	SWITCH, HAPP, SQ. BLK. WO/LEGEND
4	1	AS-03356-0427	ASY, DOOR OPTIC EMITTER BD.
3	1	A-14467-SERIES	ASSEMBLY, DOOR, W. 1LK
2	1	A-04361-0075	ASSEMBLY, DOOR LATCH
1	1	A-04270-0022	HINGE, DOOR

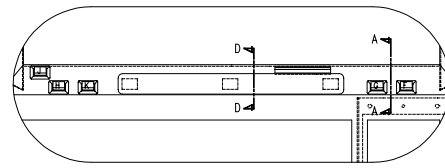
Door Assembly (cont.) AS-04907-(series)



BUTTONS FOR POKER OPTION



SECTION A-A
BUTTONS MUST BE SQUARE WITH DOOR FRAME AND TORQUED TO 12 IN. LB.



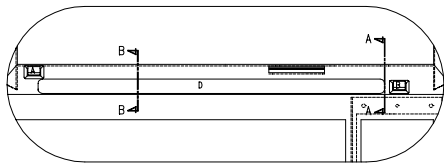
BUTTONS FOR VLT POKER OPTION

ITEM	QTY	PART NUMBER	PART NUMBER	PART NUMBER	PART NUMBER	PART NUMBER	PART NUMBER	DESCRIPTION
1-K	1	AS-04738-0005	AS-04738-0037	AS-04738-0029	AS-04738-0005	AS-04738-0067	AS-04738-0060	SWITCH, SQ. BLK. BET ONE
1-J	1	AS-04738-0007	AS-04738-0038	AS-04738-0030	AS-04738-0019	AS-04738-0065	AS-04738-0062	SWITCH, SQ. BLK. CHANGE RED/OR SERVICE
1-H	1	AS-04738-0015	AS-04738-0039	AS-04738-0031	AS-04738-0015	AS-04738-0066	AS-04738-0063	SWITCH, SQ. BLK. CASH/CREDIT
1-G	1	AS-04738-0004	AS-04738-0040	AS-04738-0032	AS-04738-0004	AS-04738-0068	AS-04738-0069	SWITCH, SQ. BLK. MAX BET
1-F	1	AS-04738-0053	AS-04738-0041	AS-04738-0034	AS-04738-0053	AS-04738-0069	AS-04738-0064	SWITCH, SQ. BLK. DEAL/BRAWL/START
1-E	5	AS-04745-0001	AS-04745-0022	AS-04745-0016	AS-04745-0001	AS-04745-0038	AS-04745-0036	SWITCH, RECT. BLK. HOLD/CANCEL

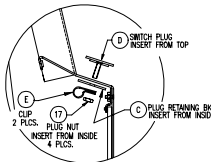
ITEM	QTY	PART NUMBER	DESCRIPTION
10-N	1	P-09378-0005	PLATE, BTN. COVER
10-M	1	P-09352-0050	CLIP, RETAINING 0.5.0.
10-L	3	C-00271-0006	CLIP
10-K	1	AS-04738-0056	SWITCH, SQ. BLK. BET ONE
10-J	1	AS-04738-0054	SWITCH, SQ. BLK. SERVICE
10-H	1	AS-04738-0055	SWITCH, SQ. BLK. CASH/CREDIT
10-G	1	AS-04738-0057	SWITCH, SQ. BLK. MAX BET
10-F	1	AS-04738-0058	SWITCH, SQ. BLK. START

ENGLISH POKER OPTION 1A
GERMAN POKER OPTION 1B
FRENCH/ENG. POKER OPTION 1C
ENGLISH POKER AUSTRALIA OPTION 1D
PORTUGUESE POKER OPTION 1E
SPANISH POKER OPTION 1F

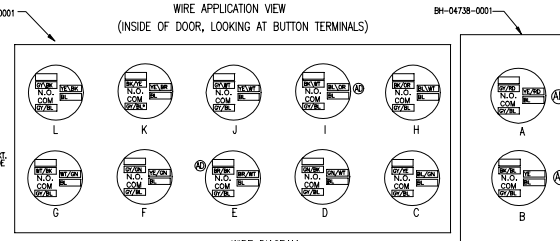
BRAZIL POKER OPTION 10A



BUTTONS FOR TOUCH SCREEN OPTION



SECTION B-B



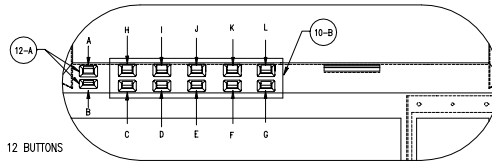
WIRE DIAGRAM

ITEM	QTY	PART NUMBER	PART NUMBER	PART NUMBER	DESCRIPTION
2-E	2	C-00271-0007	C-00271-0007	C-00271-0007	CLIP, 7/16 X 3/8 X 11/64
2-D	1	P-09367-0001	P-09367-0002	P-09367-0004	PLATE, TOUCH SCREEN
2-C	1	P-09350-0088	P-09350-0088	P-09350-0088	BRACKET, T.S. STRT DISCREET HOLE

CHROME POKER OPTION 2A
BRASS POKER OPTION 2B
GOLD POKER OPTION 2C

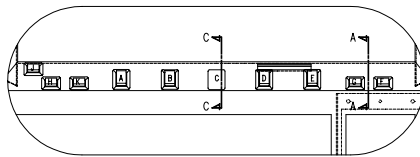
ITEM	QTY	PART NUMBER	PART NUMBER	PART NUMBER	DESCRIPTION
3-B	1	AS-04738-0028	AS-04738-0047	AS-04738-0045	SWITCH, SQ. BLK. START
3-A	1	AS-04738-0007	AS-04738-0030	AS-04738-0019	SWITCH, SQ. BLK. CHANGE RED

ENGLISH POKER OPTION 3A
FRENCH ENGLISH POKER OPTION 3B
FRENCH POKER OPTION 3C

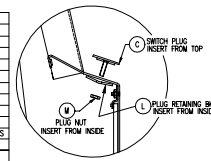


12 BUTTONS OPTION 12A

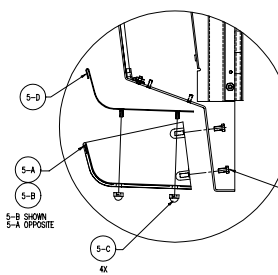
ITEM	QTY	PART NUMBER	DESCRIPTION
12-B	10	BH-04745-0001	SWITCH, RECT. BLK. WO/LEGEND
12-A	2	BH-04738-0001	SWITCH, HARP. SQ/ BLK. WO/LEGEND



BUTTONS FOR LET IT RIDE OPTION



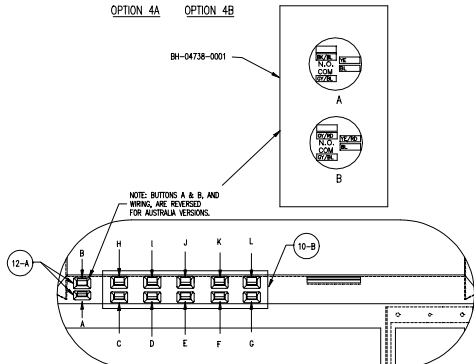
SECTION C-C



DETAIL COIN TRAY

ITEM	QTY	PART NUMBER	PART NUMBER	PART NUMBER	DESCRIPTION
4-M	1	NLS-01032-1112	NLS-01032-1112	NLS-01032-1112	NUT, 10-32 KEPS
4-L	1	P-09350-0034	P-09350-0034	P-09350-0034	PLATE, BUTTON PLUG MOUNTING
4-K	1	AS-04738-0048	AS-04738-0048	AS-04738-0048	SWITCH, SQ. BLK. BET
4-J	1	AS-04738-0007	AS-04738-0007	AS-04738-0007	SWITCH, SQ. BLK. CHANGE RED
4-H	1	AS-04738-0050	AS-04738-0050	AS-04738-0050	SWITCH, SQ. BLK. COLLECT
4-G	1	AS-04738-0004	AS-04738-0004	AS-04738-0004	SWITCH, SQ. BLK. MAX BET
4-F	1	AS-04738-0049	AS-04738-0049	AS-04738-0049	SWITCH, SQ. BLK. DEAL
4-E	1	AS-04745-0035	AS-04745-0035	AS-04745-0035	SWITCH, RECT. BLK. NO
4-D	1	AS-04745-0034	AS-04745-0034	AS-04745-0034	SWITCH, RECT. BLK. YES
4-C	1	P-09336-0038	P-09336-0038	P-09336-0038	PLUS, DECK BUTTON CHR.
4-B	1	AS-04745-0037	AS-04745-0037	AS-04745-0037	SWITCH, RECT. BLK. TOUR/BONUS
4-A	1	AS-04745-0032	AS-04745-0032	AS-04745-0032	SWITCH, RECT. BLK. HELP

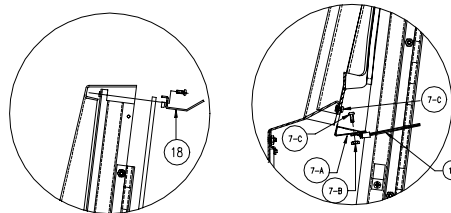
LET IT RIDE POKER TOUR OPTION 4A
LET IT RIDE POKER BONUS OPTION 4B



12 BUTTONS AUSTRALIA OPTION 12B

ITEM	QTY	PART NUMBER	PART NUMBER	PART NUMBER	DESCRIPTION
5-E	4	TFPP-01032-1106	TFPP-01032-1106	TFPP-01032-1106	SCREW, 10-32 X 3/8 THD. FORM. PHIL. PAN. HD.
5-D	1	P-09319-0180	P-09319-0180	P-09319-0180	COIN TRAY, DOOR ASSEMBLY
5-C	4	M-01757-0010	M-01757-0010	M-01757-0010	NUT, ASSEM. 8-32
5-B	1	C-04710-0102	C-04710-0104	C-04710-0110	END CAP, COIN CLIP LEFT
5-A	1	C-04710-0101	C-04710-0103	C-04710-0109	END CAP, COIN CLIP RIGHT

CHROME POKER OPTION 5A
BRASS POKER OPTION 5B
GOLD POKER OPTION 5C

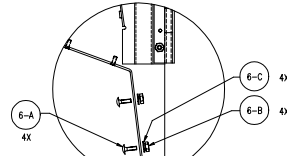
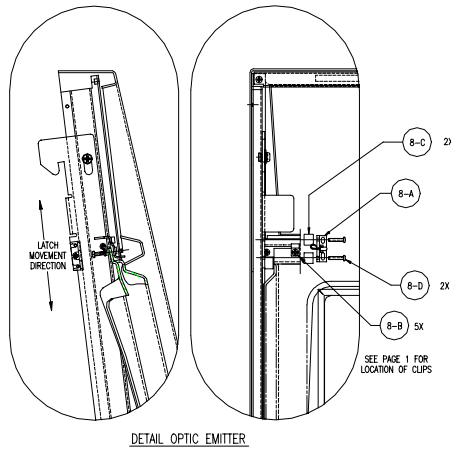


C.S.A. DRAIN CHANNEL

ITEM	QTY	PART NUMBER	DESCRIPTION
7-C	1	LSPP-09632-1106	SCREW, 6-32 X 3/8 MACH W/LOCK PHIL. PAN. HD
7-B	1	NLS-00632-1112	NUT, 6-32 KEPS
7-A	1	P-09319-0273	BRACKET, DRAIN CHANNEL

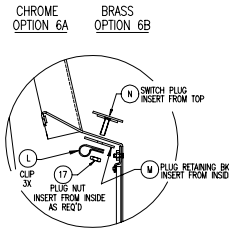
OPTION 7

Door Assembly (cont.) AS-04907-(series)



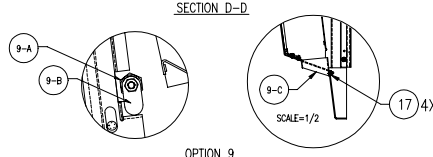
DETAIL NO COIN TRAY

6-C	4	P-02800-0002	P-02800-0002	WASHER
6-B	4	NLS-01024-1112	NLS-01024-1112	NUT, 10-24 KEPS
6-A	4	CBOR-01024-1408	M-01348-0040	CARRIAGE BOLT 10-24 X 1/2
ITEM	QTY	PART NUMBER	PART NUMBER	DESCRIPTION



8-E	1	LSP-00632-1106	LSP-00632-1106	SCREW, 6-32 X 3/8 MACH W/LOCK PHIL PAN HD (SEE PG. 1)
8-D	2	TFPP-00440-1110	TFPP-00440-1110	SCREW, 4-40 X 5/8 THE FORM PHIL PAN HD
8-C	2	M-01514-0044	M-01514-0044	SPACER, PLASTIC 3/16X3/8LG
8-B	5	C-00271-0004	C-00271-0004	CABLE CLIP 1/4
8-A	1	E-00664-0508	AS-03356-0427	ASSEMBLY, DOOR OPTIC EMITTER
ITEM	QTY	PART NUMBER	PART NUMBER	DESCRIPTION

OPTION 8A OPTION 8B



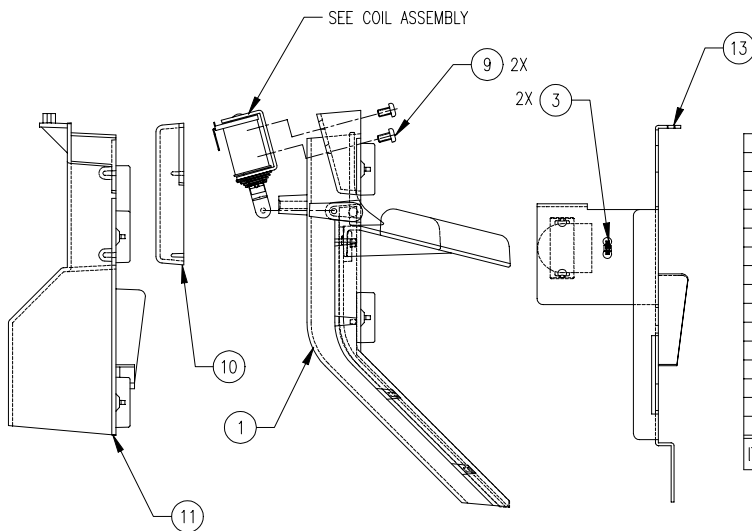
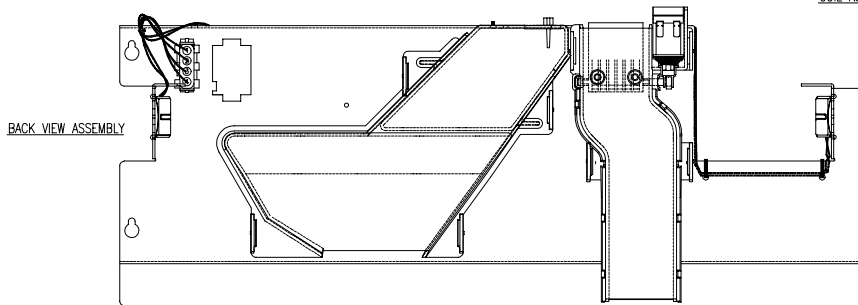
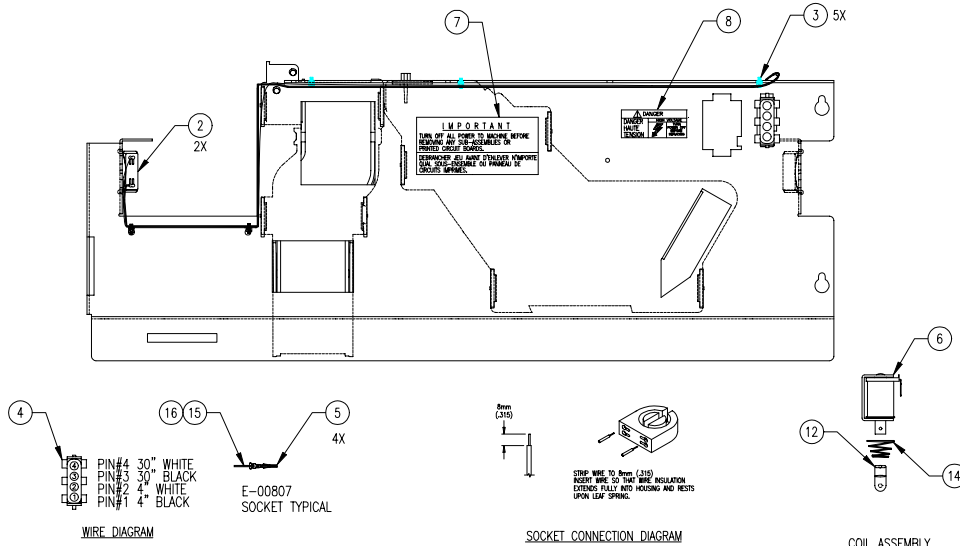
OPTION 9

9-C	1	P-09319-0102	P-09319-0102	COIN CHUTE/TICKET REJECT CHR
9-B	1	P-00758-0093	P-00758-0093	CAM, NO LOCK, 1.5" OAL
9-A	1	M-00281-162A	M-00281-162A	LOCK, NO CAM
ITEM	QTY	PART NUMBER	PART NUMBER	DESCRIPTION

LEGEND

ASSEMBLY NO.	DESCRIPTION	OPTIONS	ITEM #1 HINGE, DOOR	ITEM #2 DOOR LATCH	ITEM #3 DOOR, ASSEMBLY	ITEM #6 BUTTON CABLE	ITEM #10 LSP-00632-1104	ITEM #17 NLS-00832-1112	ITEM #18 FEAT.GLS, RET.
AS-04907-0001	DR. CH 1L/C/MX/**	1A,5A	A-04270-0022	A-04361-0013	A-04467-0001	CBL-30081-0001	QTY. 5	QTY. 13	P-09319-0181
AS-04907-0003	DR. BR 1L/C/MX/**	1A,5B	A-04270-0023		A-04467-0002	CBL-30081-0001	QTY. 5	QTY. 13	P-09319-0181
AS-04907-0004	DR. BR 1L/C/ST/**	2B,3A,5B	A-04270-0023		A-04467-0002	CBL-30081-0002	QTY. 5	QTY. 17	P-09319-0181
AS-04907-0005	DR. CH 1L/C/MX/REJ CSA	1A,5A,7	A-04270-0022		A-04458-0001	CBL-30081-0001	QTY. 0	QTY. 13	P-09319-0214
AS-04907-0006	DR. CH 1L/C/ST/REJ CSA	2A,3A,5A,7	A-04270-0022		A-04458-0001	CBL-30081-0002	QTY. 0	QTY. 17	P-09319-0214
AS-04907-0007	DR. BR 1L/C/MX/REJ CSA	1A,5B,7	A-04270-0023		A-04458-0002	CBL-30081-0001	QTY. 0	QTY. 13	P-09319-0214
AS-04907-0008	DR. BR 1L/C/ST/REJ CSA	2B,3A,5B,7	A-04270-0023		A-04458-0002	CBL-30081-0002	QTY. 0	QTY. 17	P-09319-0214
AS-04907-0009	DR. CH 1L/C/ST/** CSA FR/ENG	2A,3B,5A,7	A-04270-0022		A-04467-0001	CBL-30081-0002	QTY. 0	QTY. 17	P-09319-0214
AS-04907-0010	DR. CH 1L/C/ST/** CSA FR	2A,3C,5A,7	A-04270-0022		A-04467-0001	CBL-30081-0002	QTY. 0	QTY. 17	P-09319-0214
AS-04907-0011	DR. CH 1L/C/ST/** CSA ENG	2A,3A,5A,7	A-04270-0022		A-04467-0001	CBL-30081-0002	QTY. 0	QTY. 17	P-09319-0214
AS-04907-0012	DR. CH 1L/C/MX/LET IT RIDE	4A,5A	A-04270-0022		A-04467-0001	CBL-30081-0001	QTY. 5	QTY. 13	P-09319-0181
AS-04907-0020	DR. CH 1L/C/ST/**	2A,3A,5A	A-04270-0022		A-04467-0001	CBL-30081-0002	QTY. 5	QTY. 17	P-09319-0181
AS-04907-0021	DR. CH 2L/C/MX/**	1A,5A	A-04270-0022		A-04467-1001	CBL-30081-0001	QTY. 5	QTY. 13	P-09319-0181
AS-04907-0022	DR. BR 2L/C/MX/**	1A,5B	A-04270-0023		A-04467-1002	CBL-30081-0001	QTY. 5	QTY. 13	P-09319-0181
AS-04907-0023	DR. BR 2L/C/ST/**	2B,3A,5B	A-04270-0023		A-04467-1002	CBL-30081-0002	QTY. 5	QTY. 17	P-09319-0181
AS-04907-0024	DR. CH 2L/C/ST/**	2A,3A,5A	A-04270-0022		A-04467-1001	CBL-30081-0002	QTY. 5	QTY. 17	P-09319-0181
AS-04907-0025	DR. CH 1L*/MX/**	1A,6A	A-04270-0022		A-04467-0001	CBL-30081-0001	QTY. 5	QTY. 13	P-09319-0181
AS-04907-0026	DR. CH 1L*/ST/**	2A,3A,6A	A-04270-0022		A-04467-0001	CBL-30081-0002	QTY. 5	QTY. 17	P-09319-0181
AS-04907-0027	DR. BR 1L*/MX/**	1A,6B	A-04270-0023		A-04467-0002	CBL-30081-0001	QTY. 5	QTY. 13	P-09319-0181
AS-04907-0028	DR. BR 1L*/ST/**	2B,3A,6B	A-04270-0023		A-04467-0002	CBL-30081-0002	QTY. 5	QTY. 17	P-09319-0181
AS-04907-0029	DR. CH 1L/C/MX/**/CSA	1A,5A,7	A-04270-0022		A-04467-0001	CBL-30081-0001	QTY. 0	QTY. 13	P-09319-0214
AS-04907-0030	DR. PGLD 1L/C/MX/**	1A,5C	A-04270-0023		A-04467-0104	CBL-30081-0001	QTY. 5	QTY. 13	P-09319-0181
AS-04907-0031	DR. PGLD 1L/C/ST/**	2C,3A,5C	A-04270-0023		A-04467-0104	CBL-30081-0002	QTY. 5	QTY. 17	P-09319-0181
AS-04907-0032	DR. CH 2L/C/MX/**/GERMANY	1B,5A	A-04270-0022	A-04361-0013	A-04467-1001	CBL-30081-0001	QTY. 5	QTY. 13	P-09319-0181
AS-04907-0033	REPLACE WITH AS-14907-0002	11A,5A,8A	A-04270-0022	A-04361-0056	A-04467-0001	CBL-30124-0001	QTY. 4	QTY. 14	P-09319-0181
AS-04907-0034	DR. BGLD 1L/C/MX/**	1A,5C	A-04270-0023	A-04361-0013	A-04467-0004	CBL-30081-0001	QTY. 5	QTY. 13	P-09319-0181
AS-04907-0035	DR. BGLD 1L/C/ST/**	2C,3A,5C	A-04270-0023		A-04467-0004	CBL-30081-0002	QTY. 5	QTY. 17	P-09319-0181
AS-04907-0036	DR. CH 1L/C/MX/**/CSA FR/ENG	1C,5A,7	A-04270-0022		A-04467-0001	CBL-30081-0001	QTY. 0	QTY. 13	P-09319-0214
AS-04907-0037	DR. CH 1L/C/**/LOTTERY	5A,7,9	A-04270-0022		A-04481-0001	CBL-20162-0001	QTY. 0	QTY. 17	P-09319-0214
AS-04907-0038	DR. CH 1L/C/MX/L.I.R. BONUS	4B,5A,	A-04270-0022		A-04467-0001	CBL-30081-0001	QTY. 5	QTY. 13	P-09319-0181
AS-04907-0039	DR. CH 1L/C/MX/**/BRAZIL	10A,5A	A-04270-0022	A-04361-0013	A-04467-0001	CBL-30081-0001	QTY. 8	QTY. 13	P-09319-0181
AS-04907-0040	DR. CH 1L/C/MX/**/SINGAPORE		SEE SEPERATE DRAWING						
AS-04907-0041	DR. CH 1L/C/MX/**/PORTUGUESE	1E,5A	A-04270-0022	A-04361-0013	A-04467-0001	CBL-30081-0001	QTY. 5	QTY. 13	P-09319-0181
AS-04907-0042	DR. CH 1L/C/MX/**/SPANISH	1F,5A	A-04270-0022	A-04361-0013	A-04467-0001	CBL-30081-0001	QTY. 5	QTY. 13	P-09319-0181
AS-04907-0043	DR. CH 1L/12 BUTTONS	12A,5A	A-04270-0022	A-04361-0013	A-14467-0001	CBL-30228-0001	QTY. 5	QTY. 13	P-09319-0181
AS-04907-0044	DR. CH 1L/12 BUTTON AUSTRALIA	12B,5A,8A	A-04270-0022	A-04361-0056	A-14467-0001	CBL-30289-0001	QTY. 5	QTY. 13	P-09319-0181
AS-04907-0045	DR. BGLD 1L/12 BUTTON	12A,5C	A-04270-0023	A-04361-0013	A-14467-0004	CBL-30228-0001	QTY. 5	QTY. 13	P-09319-0181
AS-04907-0046	DR. BGLD1L/C/MX/**/PORTUGUESE	1E,5C	A-04270-0023	A-04361-0013	A-04467-0004	CBL-30081-0001	QTY. 5	QTY. 13	P-09319-0181
AS-04907-0047	DR. CH 1L/12 BUTTON AUSTRALIA	SEE SHEET 4							
AS-04907-0048	DR. #81 1L/12 BUTTON AUSTRALIA	12B,5A,8A	A-04270-0022	A-04361-0056	A-14467-0381	CBL-30289-0001	QTY. 5	QTY. 13	P-09319-0181
AS-04907-0049	DR. #81 1L/12 BUTTON AUSTRALIA	SEE SHEET 4							
AS-04907-0050	DR. CH 2L/12 BUTTONS	12A,5A	A-04270-0022	A-04361-0013	A-14467-1001	CBL-30228-0001	QTY. 5	QTY. 13	P-09319-0181

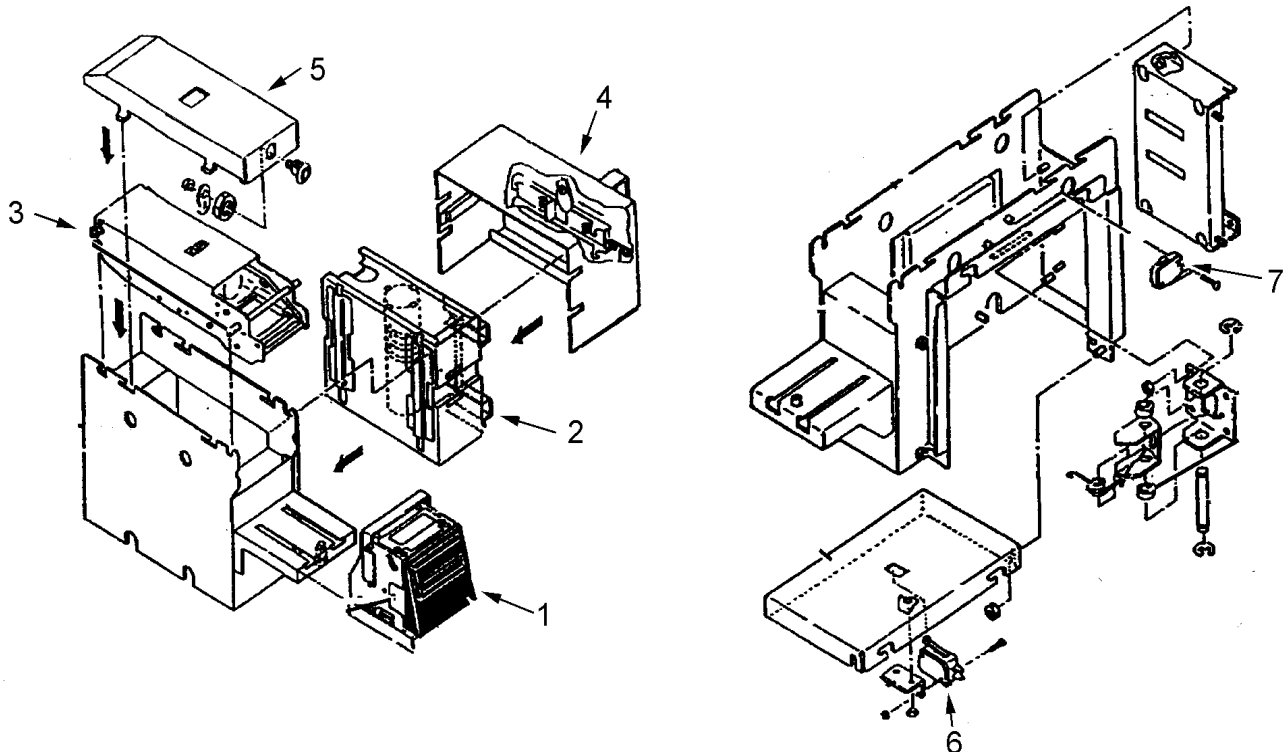
**Light Panel Assembly
AS-03210-0079**



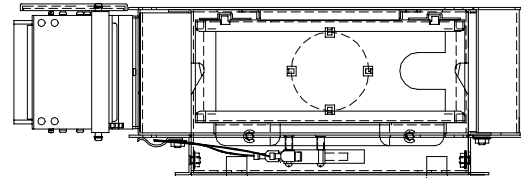
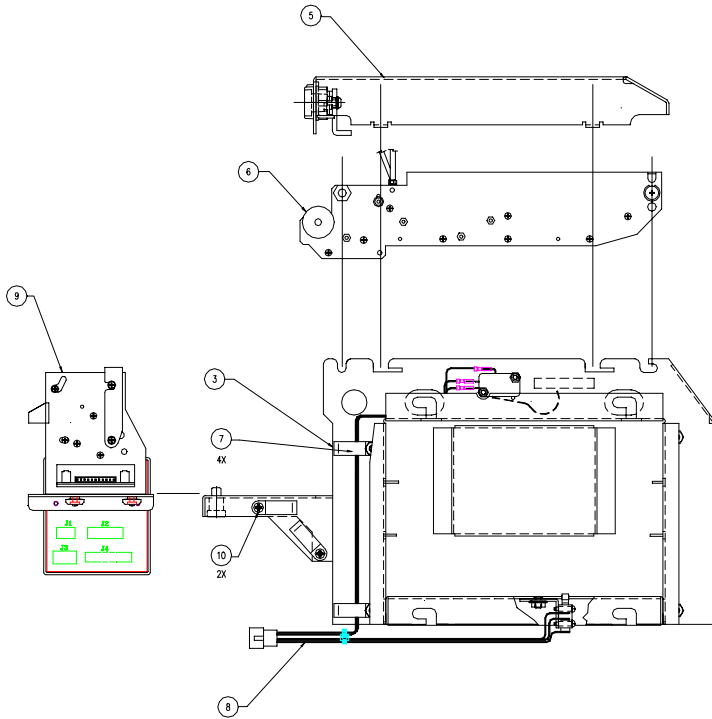
ITEM	QTY	PART NUMBER	DESCRIPTION
16	3	WIP-ES202-1880	PVC, SOLID 18 AWG BLACK TYPE TEW
15	3	WIP-ES202-1850	PVC, SOLID 18 AWG WHITE TYPE TEW
14	1	SP-00200-0246	SPRING, COMPRESSION
13	1	P-09319-0366	PANEL, LOWER HOPPER (PLASTIC CHUTE)
12	1	M-03104-0001	LINK, PLASTIC, COIN. DIVERTER
11	1	M-03096-0003	CHUTE, COIN, PLASTIC
10	1	M-03096-0002	LINER, COIN RETURN, PLASTIC
9	2	LSPP-00632-1104	SCREW, 6-32 X 1/4 MACH W/LOCK PHIL PAN HD.
8	1	LBL-00254-0001	LABEL, HIGH VOLTAGE
7	1	LBL-00253-0001	LABEL, POWER OFF
6	1	E-00947-0018	COIL, DIVERTER
5	4	E-00807	SOCKET, AMP 24-18 AWG
4	1	E-00804-0004	CONN. HOUSING
3	7	E-00647-0004	CABLE TIE
2	2	E-00120-0266	SOCKET, FLUORESCENT LAMP CE97
1	1	AS-03367-0001	ASSEMBLY, DIVERTER, PLASTIC

Game Maker-7000™ JCM DBV, CBA, SRA, IBA Bill Acceptors

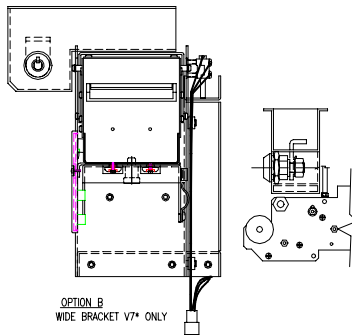
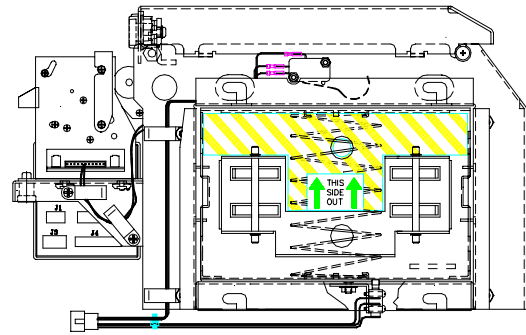
Item	Part #	Description	Item	Part #	Description
	AS-04560-(series)	Bill Acceptor Assembly	2	AS-04217-0112	Bill Box, Yellow (DBV)
	D150-(series)	Bill Acceptor Decal Selection		AS-04217-0113	Bill Box, Black (DBV)
	D150-00022-GRN+	Green Lighted Area		AS-04217-0114	Bill Box, Yellow (CBA, SRA, IBA)
1	E-00983-0028	Bill Acceptor (head), JCM DBV-145		AS-04217-0115	Bill Box, Black (CBA, SRA, IBA)
	E-00983-0029	Bill Acceptor (head), JCM DBV-146	3	AS-04806-001A	Stacker, Bill, DBV
	E-00983-0039	Bill Acceptor (head), JCM CBA-135		AS-04806-0002	Stacker, Bill, CSA, IBA, SRA
	E-00983-0038	Bill Acceptor (head), JCM SRA-135	4	AS-14804-0003	Bill Cover, 1 Lock
	E-00664-0496	Bill Acceptor Light Board Assembly (DBV145, DBV 146)		AS-14804-002	Bill Cover, 2 Lock
	E-00664-0523	Bill Acceptor Light Board Assembly (CBA-135, IBA-135, SRA-135)	5	P-09350-0098	Cover, Outside Locking Stacker
			6	E-00108-367A	Switch, Snap Action
			7	E-00108-0386	Switch, SPDT, Door Interlock, Bill Acceptor



**Bill Acceptor
AS-14560-SERIES**

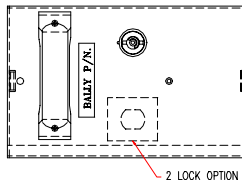
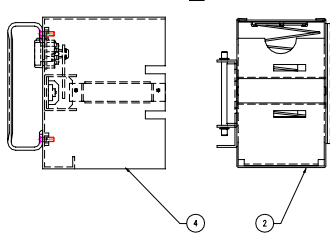


TOP VIEW
WIDE BARCKET



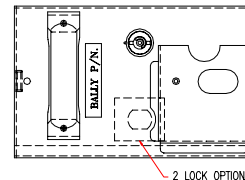
OPTION B
WIDE BRACKET V7* ONLY

10	2	TFFP-00632-1104	SCREW, 6-32 X 1/4 THD FORM PHIL PAN HD.
9	1	SEE LEGEND	KIT, BILL ACCEPTOR BILL BOX
8	1	E-00537-7765	CABLE, BILL ACCEPTOR, DOOR SWITCH
7	4	C-00760	CLIP, WIRE HOLDER
6	1	AS-04806-001A	ASSEMBLY, BILL STACKER
5	1	SEE LEGEND	ASSEMBLY, OUTSIDE COVER,
4	1	SEE LEGEND	ASSEMBLY, BILL COVER,
3	1	AS-04802-0005	ASSEMBLY, STACKER MOUNTING BRACKET
2	1	AS-04217-0113	ASSEMBLY, BILL BOX BLK ZINC
1	1	AS-04217-0112	ASSEMBLY, BILL BOX YEL ZINC
ITEM	QTY	PART NUMBER	DESCRIPTION



OPTION A

AS-14804-0003 1LK
AS-14804-0002 2LK

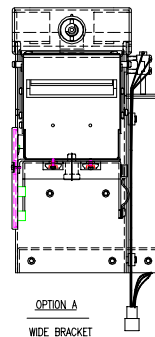


OPTION B

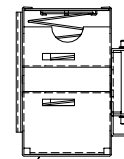
AS-14804-0004 1LK
AS-14804-0005 2LK

LEGEND V55/V7K/V7* UPRIGHT

PART NUMBER	DESCRIPTION	ITEM 4 BILL COVER	ITEM 5 OUTSIDE COVER	ITEM 9 B/A KIT
AS-14560-0032	ASSY, 400 STACKER, 1LK CVR BARC 55*	AS-14804-0003	AS-04805-0005	K-00723-0026
AS-14560-0033	ASSY, 400 STACKER, 2LK CVR BARC 55*	AS-14804-0002	AS-04805-0005	K-00723-0026
AS-14560-0047	ASSY, 400 STACKER, 1LK CVR V7K	AS-14804-0003	AS-04805-0005	K-00723-0034
AS-14560-0048	ASSY, 400 STACKER, 2LK CVR V7K	AS-14804-0002	AS-04805-0005	K-00723-0034
AS-14560-0051	ASSY, 400 STACKER, 1LK CVR V7*	AS-14804-0003	AS-04805-0004	K-00723-0034
AS-14560-0052	ASSY, 400 STACKER, 2LK CVR V7*	AS-14804-0002	AS-04805-0004	K-00723-0034
AS-14560-0063	ASSY, 400 STACKER, 1LK CVR BARC 55* MGM	AS-14804-0004	AS-04805-0005	K-00723-0026
AS-14560-0065	ASSY, 400 STACKER, NO LATCH		NO DRAWINGS (BOM ONLY)	
AS-14560-0066	ASSY, 400 STACKER, 1LK CVR BARC V7*	AS-14804-0003	AS-04805-0004	K-00723-0026
AS-14560-0067	ASSY, 400 STACKER, 2LK CVR BARC V7*	AS-14804-0002	AS-04805-0004	K-00723-0026

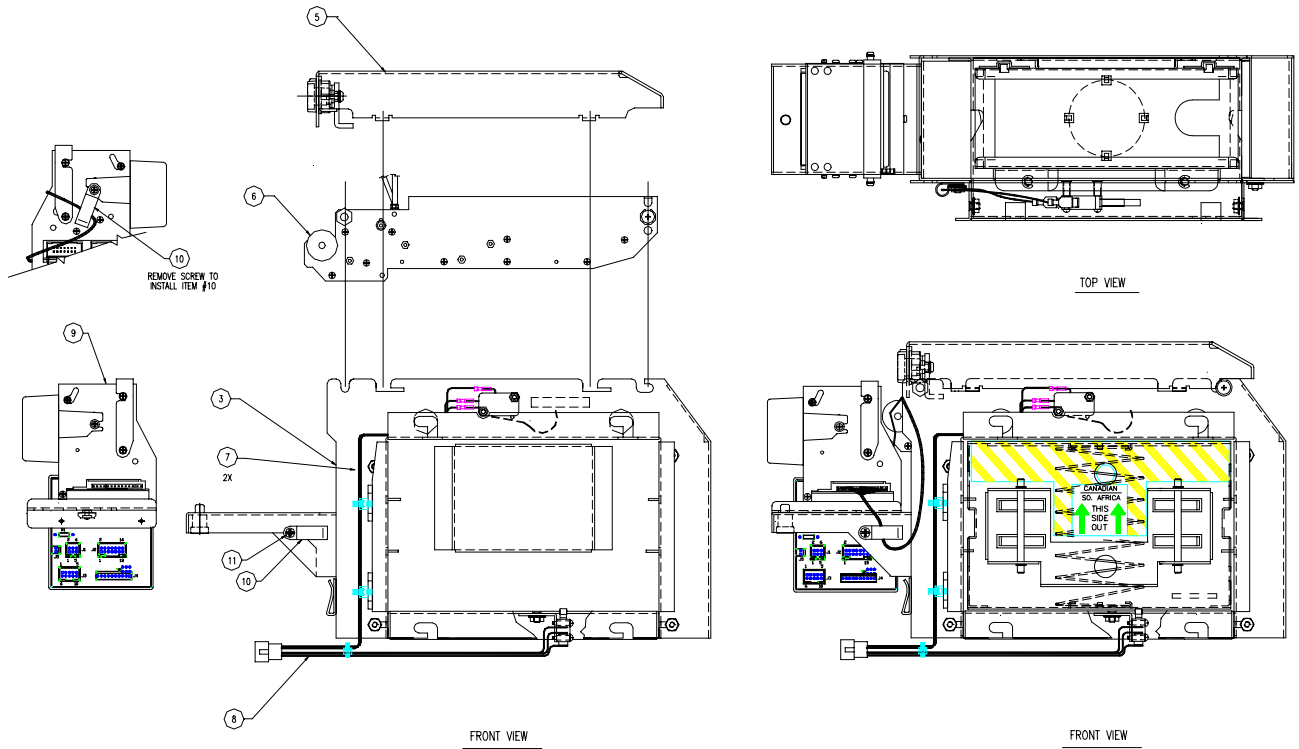


OPTION A
WIDE BRACKET

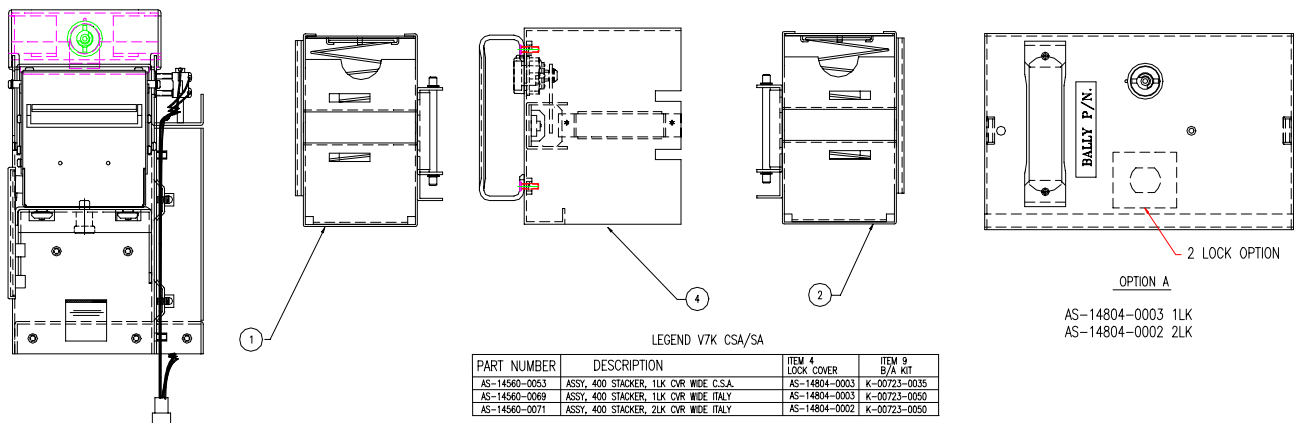


EXPLODED ASSEMBLY
AS-14560-0047 SHOWN FOR REFERENCE

Bill Acceptor (cont.) AS-14560-SERIES

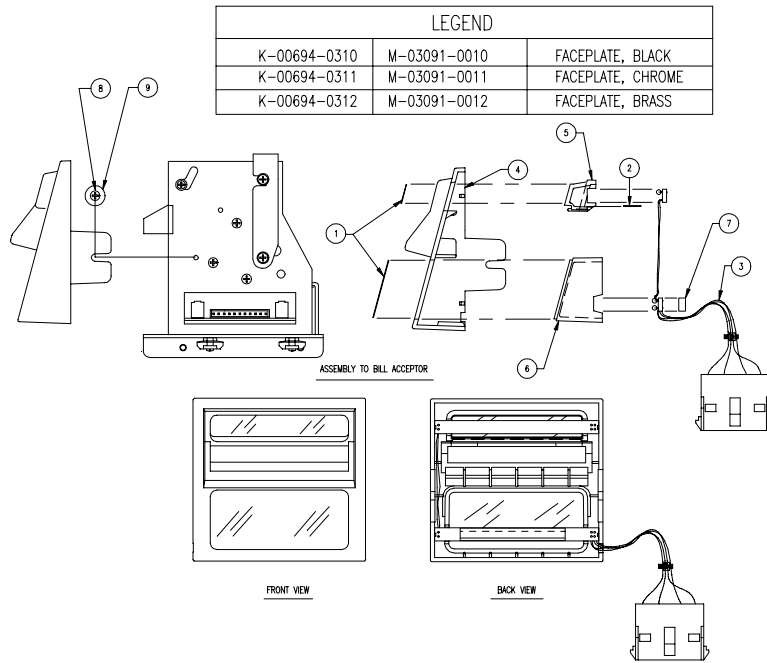


11	1	TFPP-00632-1104	SCREW, 6-32 X 1/4 THD. FORM PHIL PAN HD.
10	2	C-00760	CLIP, CABLE CLAMP
9	1	SEE LEGEND	KIT, BILL ACCEPTOR BILL BOX
8	1	E-00537-7765	CABLE, BILL ACCEPTOR, DOOR SWITCH
7	2	E-00647-0004	CABLE, TIE
6	1	AS-04806-0002	ASSEMBLY, BILL STACKER
5	1	AS-04805-0004	ASSEMBLY, LOCKING COVER, 1 LOCK
4	1	SEE LEGEND	ASSEMBLY, BILL COVER,
3	1	AS-04802-0012	ASSEMBLY, STACKER MOUNTING BRACKET
2	1	AS-04217-0115	ASSEMBLY, BILL BOX BLK
1	1	AS-04217-0114	ASSEMBLY, BILL BOX YEL
ITEM	QTY	PART NUMBER	DESCRIPTION



PART NUMBER	DESCRIPTION	ITEM 4 LOCK COVER	ITEM 9 S/A KIT
AS-14560-0053	ASSY, 400 STACKER, 1LK CVR WIDE C.S.A.	AS-14804-0003	K-00723-0035
AS-14560-0069	ASSY, 400 STACKER, 1LK CVR WIDE ITALY	AS-14804-0003	K-00723-0050
AS-14560-0071	ASSY, 400 STACKER, 2LK CVR WIDE ITALY	AS-14804-0002	K-00723-0050

Bill Acceptor Face Plate

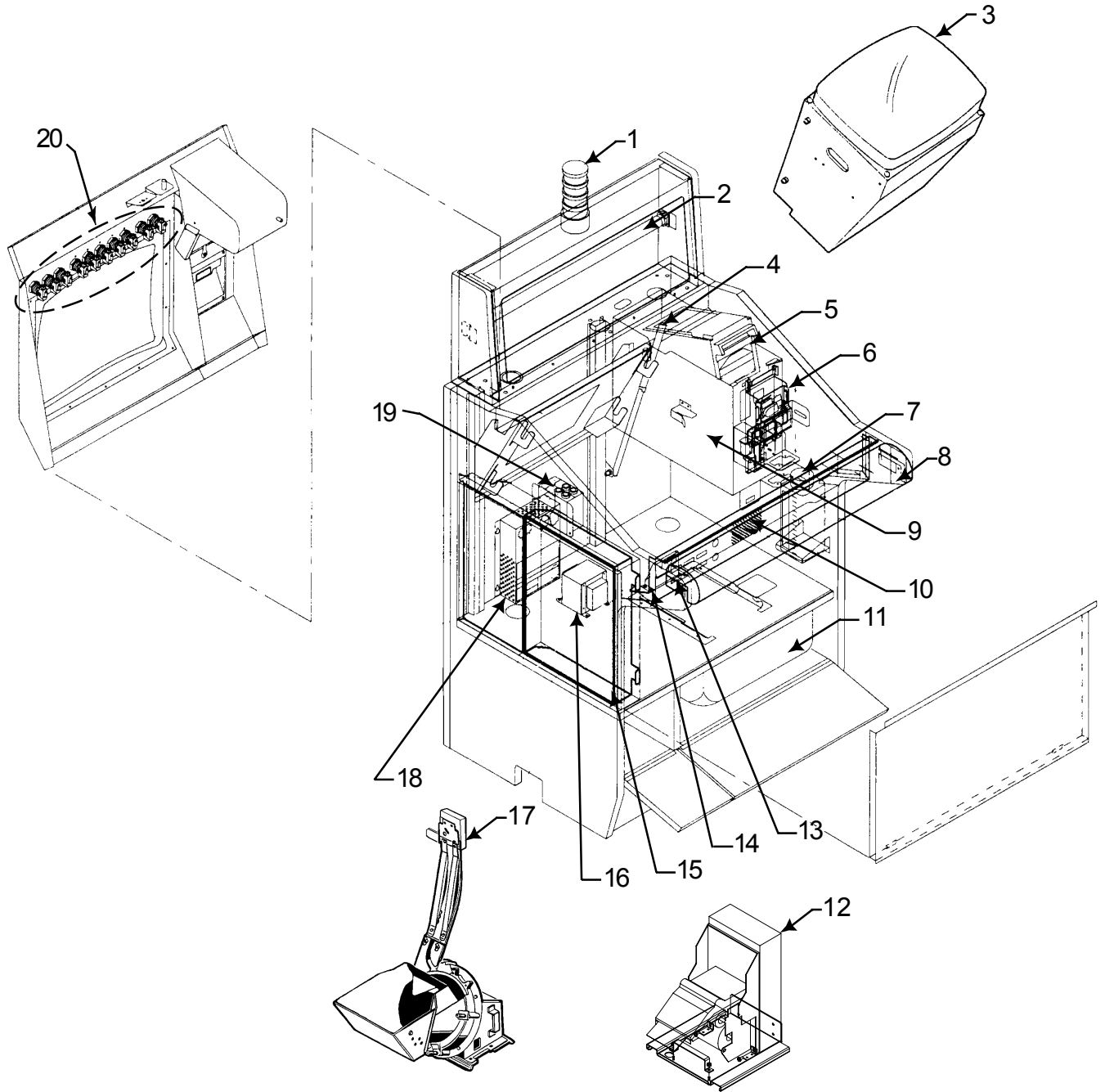


LEGEND		
K-00694-0310	M-03091-0010	FACEPLATE, BLACK
K-00694-0311	M-03091-0011	FACEPLATE, CHROME
K-00694-0312	M-03091-0012	FACEPLATE, BRASS

9	2	PW-00004-0012	#4 WASHER
8	2	LSP-00350-1206	SCREW, 3.5MM X 9MM, ZINC GOLD
7	1	R-00553-0011	GASKET, 1/8 X 1/4 X 2"
6	1	M-03091-0031	WINDOW, LOWER
5	1	M-03091-0030	WINDOW, UPPER
4	1	SEE LEGEND	FACEPLATE,
3	1	E-00664-0496	LITE, BOARD
2	1	D150-00022-GRN+	DECAL, GREEN FILTER
1	REF.	M-03090-0010	DECAL, RAW
ITEM	QTY	PART NUMBER	DESCRIPTION

Game Maker Slant-7200™ Parts

Slant-7200™ Cabinet Assembly

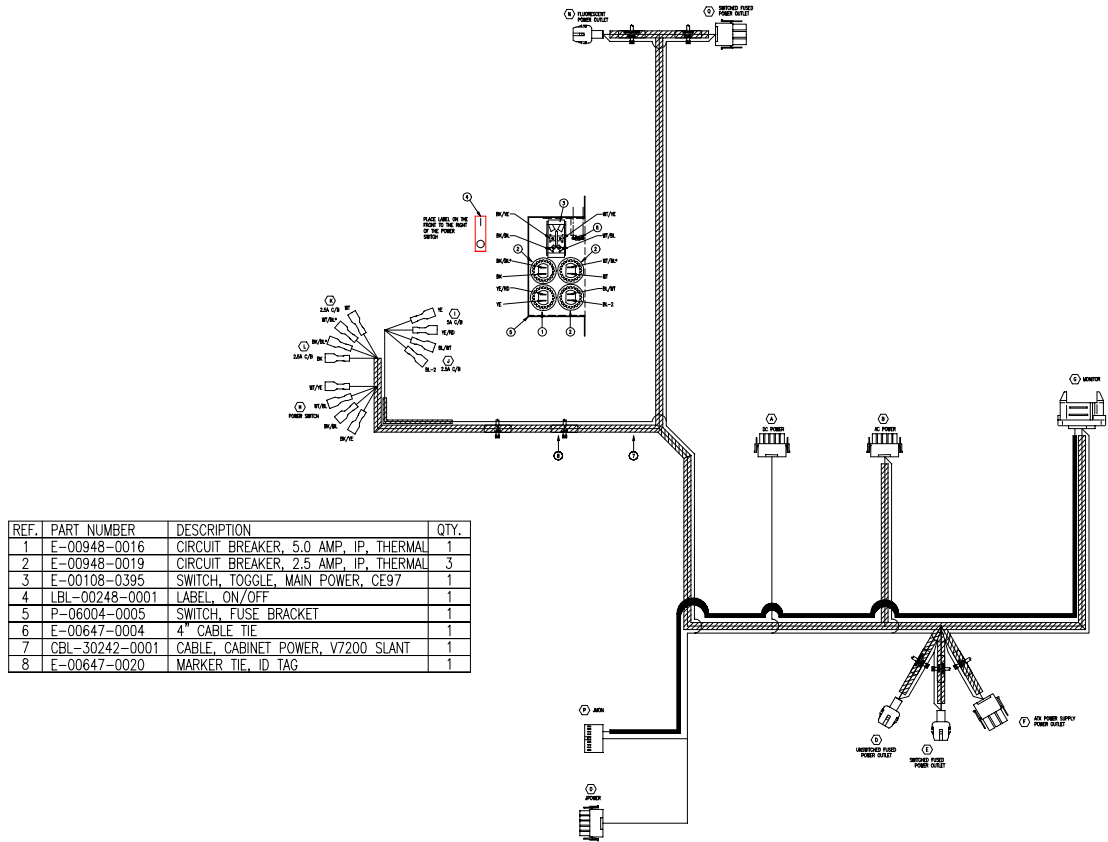




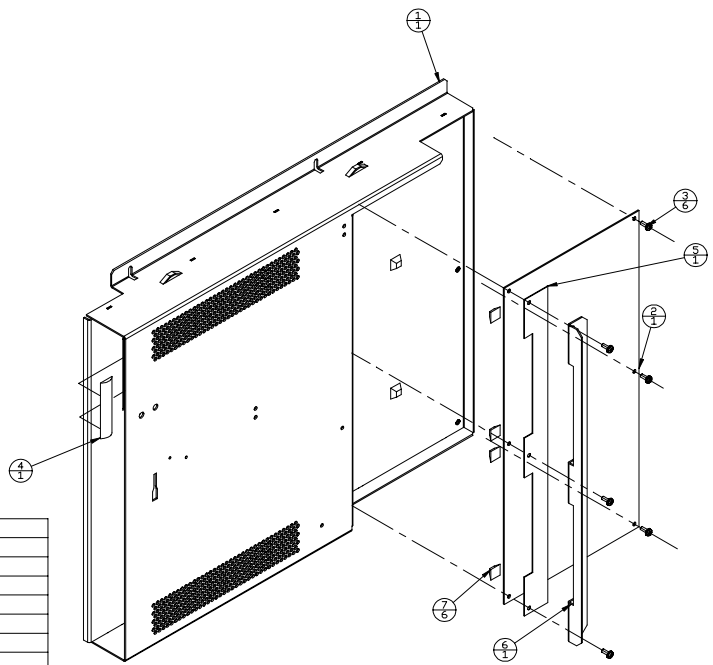
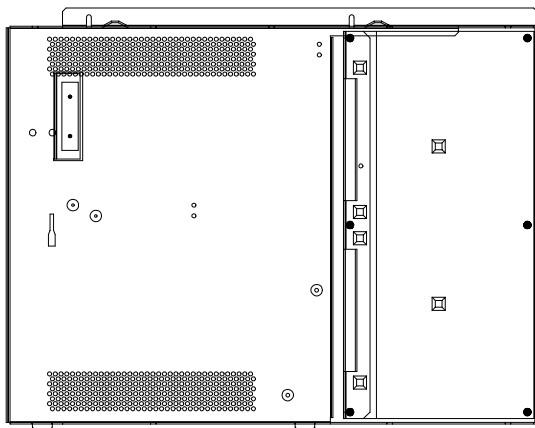
Game Maker Slant-7200™ Cabinet Assembly (cont.)

Game Maker Slant-7200™		
Item	Part #	Description
1	TWR (series)	Tower. See page 33.
2	E-00412-0019	Lamp, Fluorescent, 24" Soft White Appliance
3	E-00832-0090	Monitor, 17"
4	M-01777-5434	Spring, Gas, 63Lbs.
5	E-01100-(series)	JCM Bill Acceptor. See page 37.
6	AS-05035-0030	Coin Acceptor Assembly, Narrow (0.7-1.5)
	AS-05035-0031	Coin Acceptor Assembly, Wide (1.5 - 2.0)
7	M-01777-5439	Drain Bottle #150
8	AS-05034-(series)	Arm Rest Assembly
9	AS-06603-0001	Housing, JCM, Mars, ARDAC
10	E-00281-0025	Speaker, 4" Round Audio Vox, RSP-40
11	M-03107-0001	Bucket, Coin NDC2060
12	AS-04185-0017	Ithaca Printer with Presenter
13	AS-04225-0071	Three Meter Assembly
14	E-00108-0384	Switch, Door, Push/Pull
15	AS-06604-0003	Cardrack/Backplane Assembly
16	E-00122-0223	Transformer, 120VAC 50/60Hz. See page 31.
	E-00122-0224	Transformer, 220/240VAC 50/60Hz. See page 32.
17	AS-03105-(series)	Hopper, Asahi Seiko
18	AS-04238-0065	PDU Standard (Power Supply)
19	AS-03025-0136	Cabinet Power Cable Assembly
20	K-01500-(series)	Kit, Deck Buttons
	AS-04571-0006	Switch, Rectangle, Black, HOLD/CANCEL
	AS-04572-0001	Switch, Square, Black, CHANGE
	AS-04572-0003	Switch, Square, Black, BET ONE
	AS-04572-0004	Switch, Square, Black, BET MAX
	AS-04572-0007	Switch, Square, Black, CASH/CREDIT
	AS-04572-0025	Switch, Square, Black, DEAL/DRAW/START
Not Shown	E-00126-0120	Line Cord, Modular, 8ft. (Italy)
	E-00126-0121	Line Cord, Modular, 8ft. Domestic
	E-00126-0122	Line Cord, Modular 2.5 meters, Europe
	E-00126-0123	Line Cord, Modular, 8.167 ft. (UK)
	E-00126-0132	Cord Set, Nema 6-15p, 8ft. Domestic
	E-00126-0157	Cord Set, 8.2ft., BS546/IEC320 (South Africa)
	AS-02335-0083	Starter/Ballast Assembly, 60Hz.
	AS-03335-0201	Starter/Ballast Assembly, CE97
K-00674-0151	Bell Kit	

Cabinet Power Cable Assembly AS-03025-0136

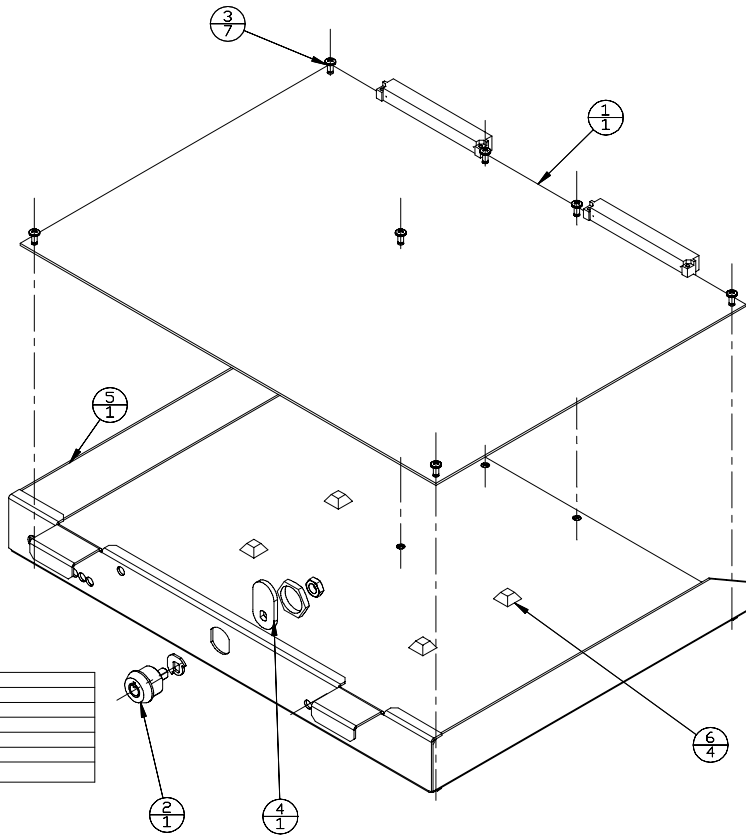


Card Rack/Backplane Assembly AS-06604-0003



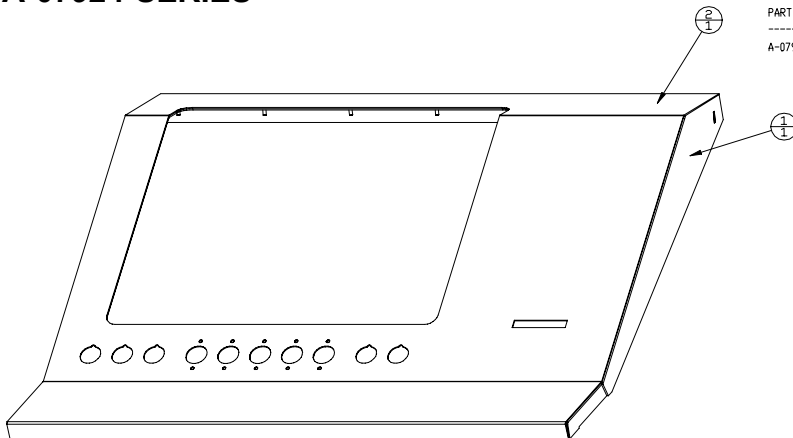
7	6	R-00409	BUMPER
6	1	P-09322-0309	BKT., BACK PLANE SUPPORT
5	1	P-00150-0303	INSULATOR, BACK PLANE
4	1	M-03001-0001	STRIP, GROUNDING
3	6	LSPP-00632-1106	SCREW, MACH W/LOCK PHIL PAN. HD.
2	1	AS-03356-0422	PC BOARD, BACKPLANE, SLOT MPU.
1	1	A-06803-0003	HOUSING, V7200 MPU
ITEM	QTY	BALLY PART NO.	DESCRIPTION

**MPU Board/Tray Assembly
AS-06605-1001**



6	4	R-00409	BUMPER
5	1	P-06802-0003	TRAY, V7200 MPU
4	1	P-00758-0168	CAM, MPU TRAY
3	7	MSPP-00632-1104	SCREW, MACHINE PHIL PAN, HD
2	1	M-00281-162A	LOCK, NO CAM, BDDR/BILLACC
1	1	AS-03336-0246	ASY, MPU BOARD
ITEM QTY	BALLY PART NO.		DESCRIPTION

**Deck Assembly
A-07924-SERIES**



PART NUMBER DESCRIPTION

A-07924- A 0 XX

FINISH OPTION

00 THRU 99
POWDER COATED (PER DWG. PC-SPEC-0001, TABLE "A").
MATERIAL TYPE: CRS PER CURRENT INDUSTRY STANDARDS

P1 THRU P5
POLISHED AND PLATED (PER DWG. MET-SPEC-0002).
MATERIAL TYPE: CRS PER CURRENT INDUSTRY STANDARDS, BRIGHT POLISHED.

P6
POLISHED STAINLESS STEEL
MATERIAL TYPE: CLARK METALS #10 T-304 S.S.

P7
TITANIUM GOLD
MATERIAL TYPE: MIRROR POLISH PVC T304 TITANIUM GOLD, .039 THK.

B1 THRU B5
BRUSHED AND PLATED (PER DWG. MET-SPEC-0002).
MATERIAL TYPE: CRS PER CURRENT INDUSTRY STANDARDS, #4 FINISH.

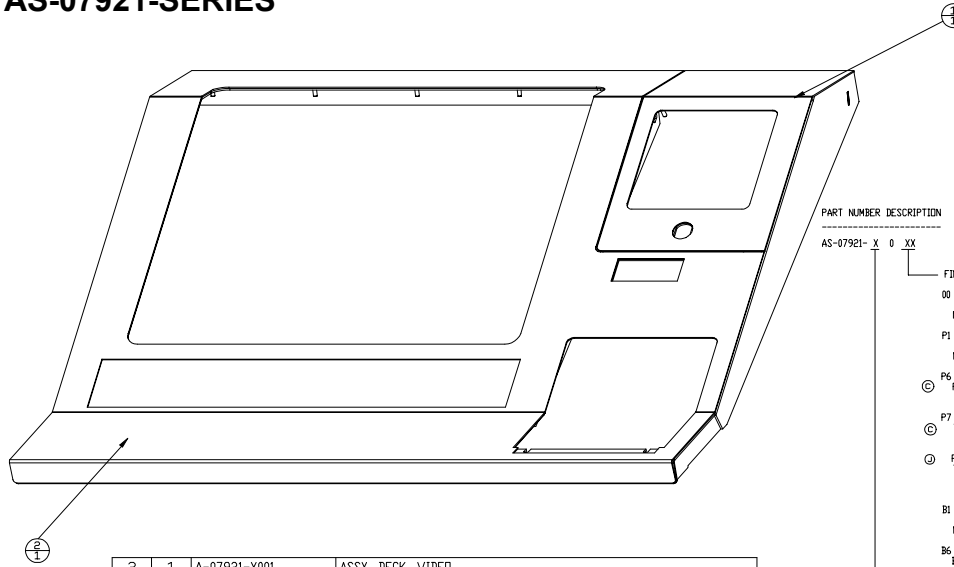
B6
BRUSHED STAINLESS STEEL
MATERIAL TYPE: 304 SS, #4 FINISH.

BUTTON PATTERN

A STANDARD VIDEO

2	1	P-07924-1002	FRAME DECK, SLOT
1	1	A-07921-0003	FRAME BECK, SLOT
ITEM QTY	BALLY PART NO.		DESCRIPTION

Deck Hatch Assembly AS-07921-SERIES



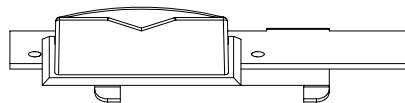
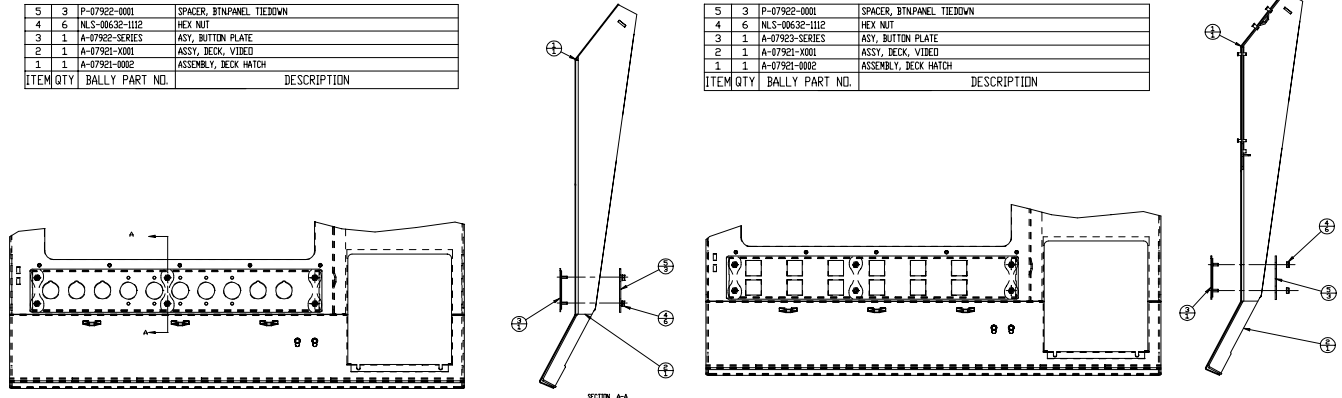
ITEM	QTY	BALLY PART NO.	DESCRIPTION
2	1	A-07921-X001	ASSY, DECK, VIDEO
1	1	A-07921-0002	ASSEMBLY, DECK HATCH

- PART NUMBER DESCRIPTION
AS-07921- X 0 0 XX
- FINISH OPTION (APPLIES TO P-07921-X002 AND P-07921-0009 ONLY) ①
 - P0 THRU P9
POWDER COATED (PER DWG. PC-SPEC-0001, TABLE 'A').
MATERIAL TYPE: CRS PER CURRENT INDUSTRY STANDARDS
 - P1 THRU P5
POLISHED AND PLATED (PER DWG. MET-SPEC-0002).
MATERIAL TYPE: CRS PER CURRENT INDUSTRY STANDARDS, BRIGHT POLISHED.
 - P6
POLISHED STAINLESS STEEL.
MATERIAL TYPE: CLARK METALS #10 T-304 S.S.
 - P7
TITANIUM GOLD.
MATERIAL TYPE: MIRROR POLISH PVC T304 TITANIUM GOLD, .039 THK.
 - P8
TITANIUM BLACK COLORED STAINLESS
MATERIAL TYPE: MIRROR, TYPE T304 BRIGHT ANNEALED
STAINLESS #8 FINISH
 - B1 THRU B5
BRUSHED AND PLATED (PER DWG. MET-SPEC-0002).
MATERIAL TYPE: CRS PER CURRENT INDUSTRY STANDARDS, #4 FINISH.
 - B6
BRUSHED STAINLESS STEEL
MATERIAL TYPE: 304 SS, #4 FINISH.

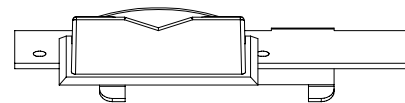
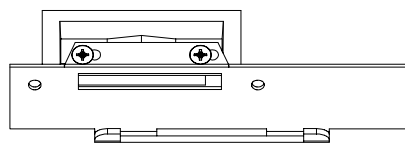
- BUTTON PATTERN
- A STANDARD VIDEO
 - ① B FEATURE FRENZY
 - ② C FEATURE FRENZY WITH LARGE ROUND BUTTON
 - ③ D NO BUTTON OPTION (10 BUTTON)
 - ④ E NO BUTTON OPTION (12 BUTTON FF)

ITEM	QTY	BALLY PART NO.	DESCRIPTION
5	3	P-07922-0001	SPACER, BTNPANEL TIEDOWN
4	6	NLS-00632-1112	HEX NUT
3	1	A-07922-SERIES	ASY. BUTTON PLATE
2	1	A-07921-X001	ASSY, DECK, VIDEO
1	1	A-07921-0002	ASSEMBLY, DECK HATCH

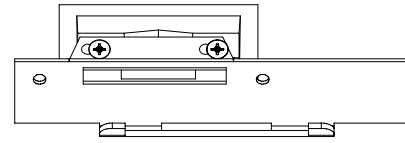
ITEM	QTY	BALLY PART NO.	DESCRIPTION
5	3	P-07922-0001	SPACER, BTNPANEL TIEDOWN
4	6	NLS-00632-1112	HEX NUT
3	1	A-07922-SERIES	ASY. BUTTON PLATE
2	1	A-07921-X001	ASSY, DECK, VIDEO
1	1	A-07921-0002	ASSEMBLY, DECK HATCH



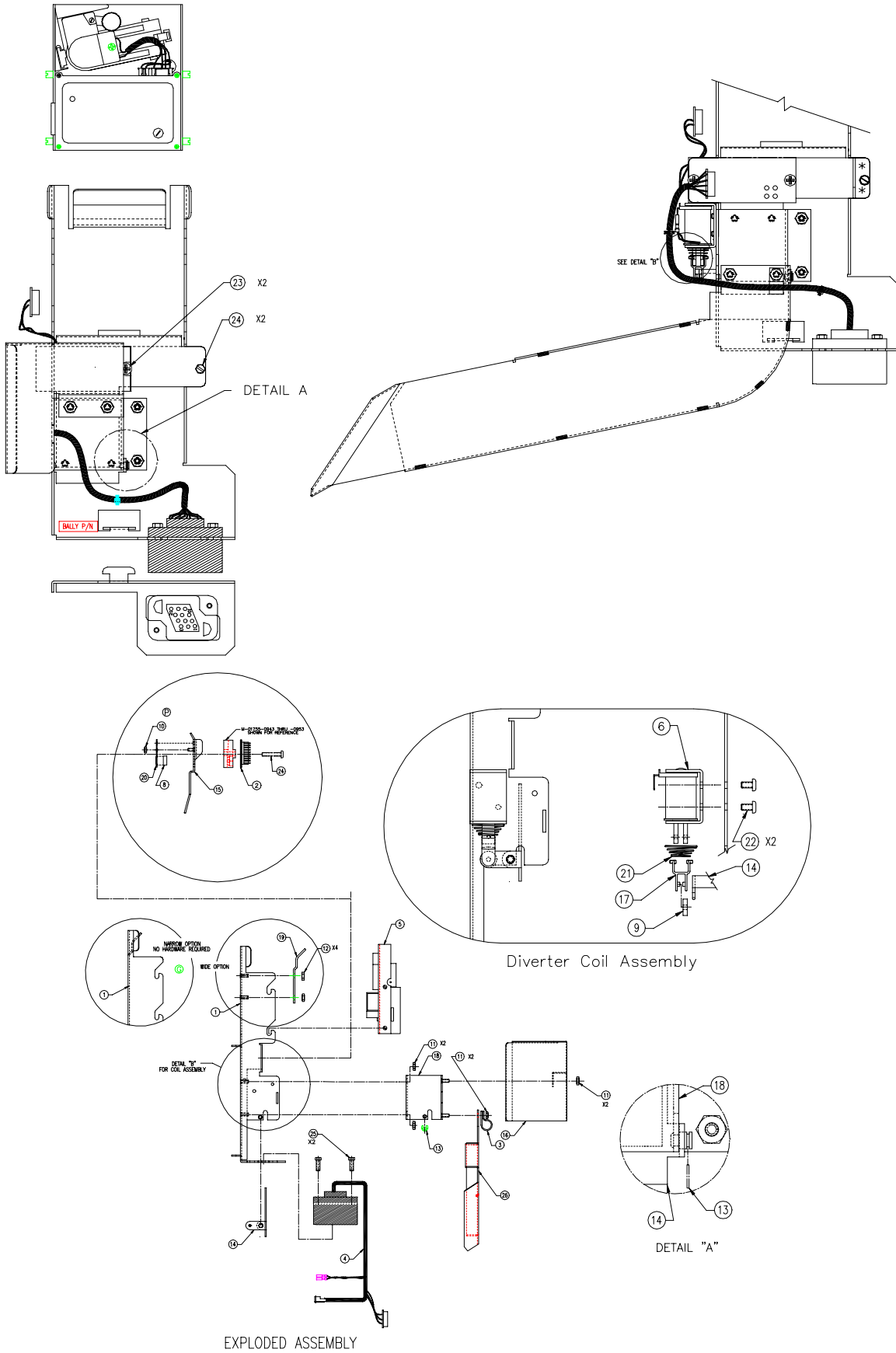
HEAD LOCATION WHEN USING WIDE COIN MECH.
(COINS OVER 1.50" DIA.)



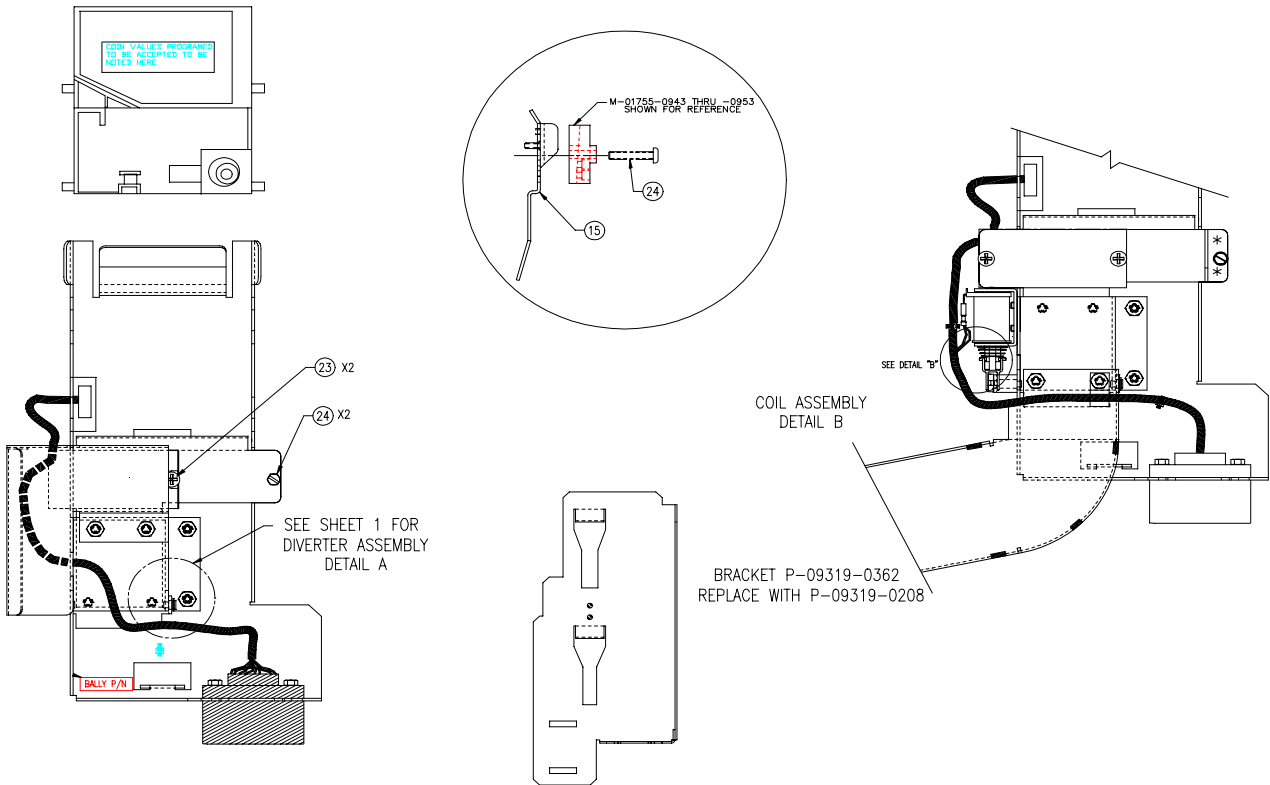
HEAD LOCATION WHEN USING NARROW COIN MECH.
(COINS 1.50" DIA. AND SMALLER)



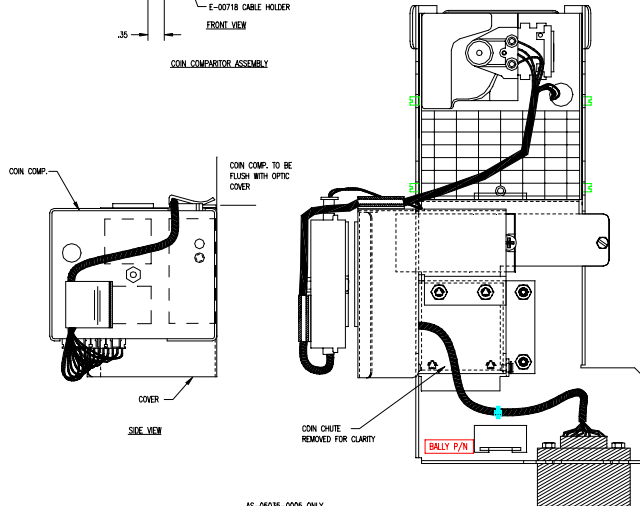
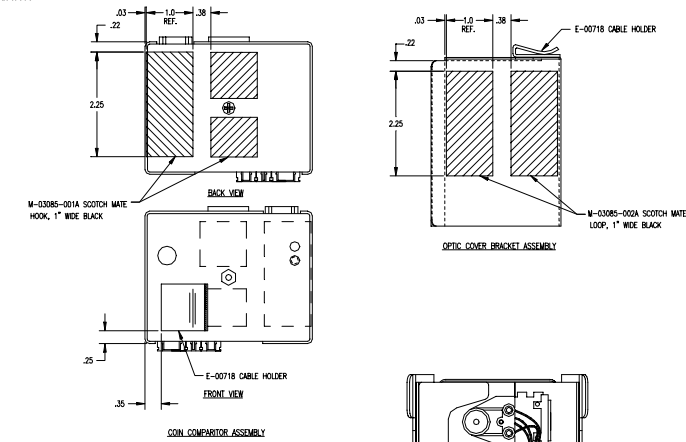
**Coin Acceptor Assembly
AS-05035-series**



Coin Acceptor Assembly (cont.) AS-05035-series



COIN MECH ASSEMBLY NRI NARR



AS-05035-0005 ONLY



**Coin Acceptor Assembly (cont.)
AS-05035-series**

Coin Acceptor Assembly Legend

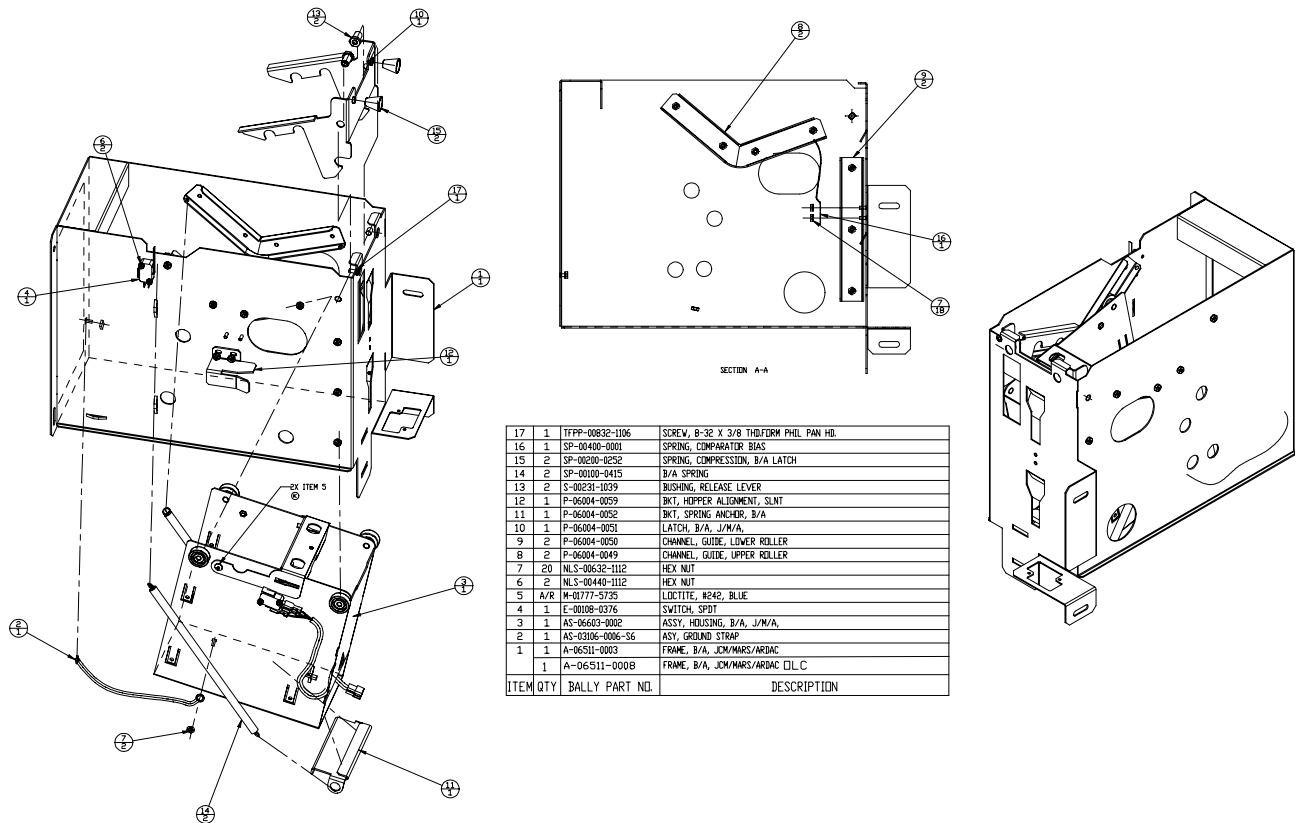
Part #	Description	Item 1 Coin Bracket	Item 4 Cable	Item 14 Diverter	Item 15 Opto Block	Item 18 Side Plate	Item 19 Alignment Plate
AS-05035-0030	Coin Acceptor, Narrow (0.7-1.5)	A-04361-0078	CBL-30489-0001	P-09319-0125	P-09319-0458	P-09322-0209	None
AS-05035-0031	Coin Acceptor, Wide (1.5-2.0)	A-04361-0018	CBL-30489-0001	P-09319-0196	P-09319-0457	P-09322-0210	P-09322-0107
AS-05035-0037	Coin Acceptor, (0.7-1.5) Condor	A-04361-0073	CBL-30489-0002	P-09319-0125	P-09319-0439	P-09322-0209	None
AS-05035-0038	Coin Acceptor, IDX x10	A-04361-0077	CBL-30489-0002	P-09319-0196	P-09319-0505	P-09322-0210	None
AS-05035-0039	Coin Acceptor, IDX x70	A-04361-0077	CBL-30489-0002	P-09319-0196	P-09319-0505	P-09322-0210	None

27	1	E-00620-0670	IC, PIC 16C54XT/P, 18 PIN, STD
26	1	A-04380-0011	HOPPER DROP CHUTE
25	2	TFSS-00832-1108	SCREW, 8-32 X 1/2 SLOTTED SERRATED HEX
24	1	TFSS-00832-1104	SCREW, 8-32 X 1/4 SLOTTED SERRATED HEX
23	2	TFPP-00832-1114	SCREW, 8-32 X 7/8 THD FORM PHIL PAN HD.
22	2	TFPP-00632-1103	SCREW, 6-32 X 3/16 THD FORM PHIL PAN HD.
21	1	SP-00200-0246	SPRING, COMPRESSION
20	1	P-09322-048A	BKT, PRISM MTG. LITE PANEL
19	1	SEE LEGEND	PLATE, COMPARATOR ALIGNMENT
18	1	SEE LEGEND	SIDE PLATE, DIVERTER
17	1	M-03104-0001	LINK, DIVERTER
16	1	P-09319-0170	COVER, OPTO BOARD
15	1	SEE LEGEND	BKT, OPTO BLOCK MTG.
14	1	SEE LEGEND	DIVERTER, COIN COMPARATOR
13	1	P-02891-0005	RETAINING RING .219 SHAFT X .025 THK.
12	4	NLS-00832-1112	NUT, 8-32 KEPS
11	6	NLS-00632-1112	NUT, 6-32 KEPS
10	1	NLS-00440-1112	NUT, 4-40 KEPS
9	1	S-00231-1031	SPACER
8	1	M-01755-0942	PRISM, COIN OPTIC
7			
6	1	E-00947-0018	COIN, DIVERTER
5	1		Coin Acceptor
4	1	SEE LEGEND	CABLE, COIN I/O
3	1	C-00271-0004	CLIP, 1/4D X 3/8 X 11/64
2	1	AS-03356-0303	ASSEMBLY, COIN OPTIC DECODER BD
1	1	SEE LEGEND	ASSEMBLY, COIN COMP. BKT.
ITEM	QTY	PART NUMBER	DESCRIPTION

Game Maker Slant-7200™ With Asahi Seiko Hopper Coin-Specific Parts

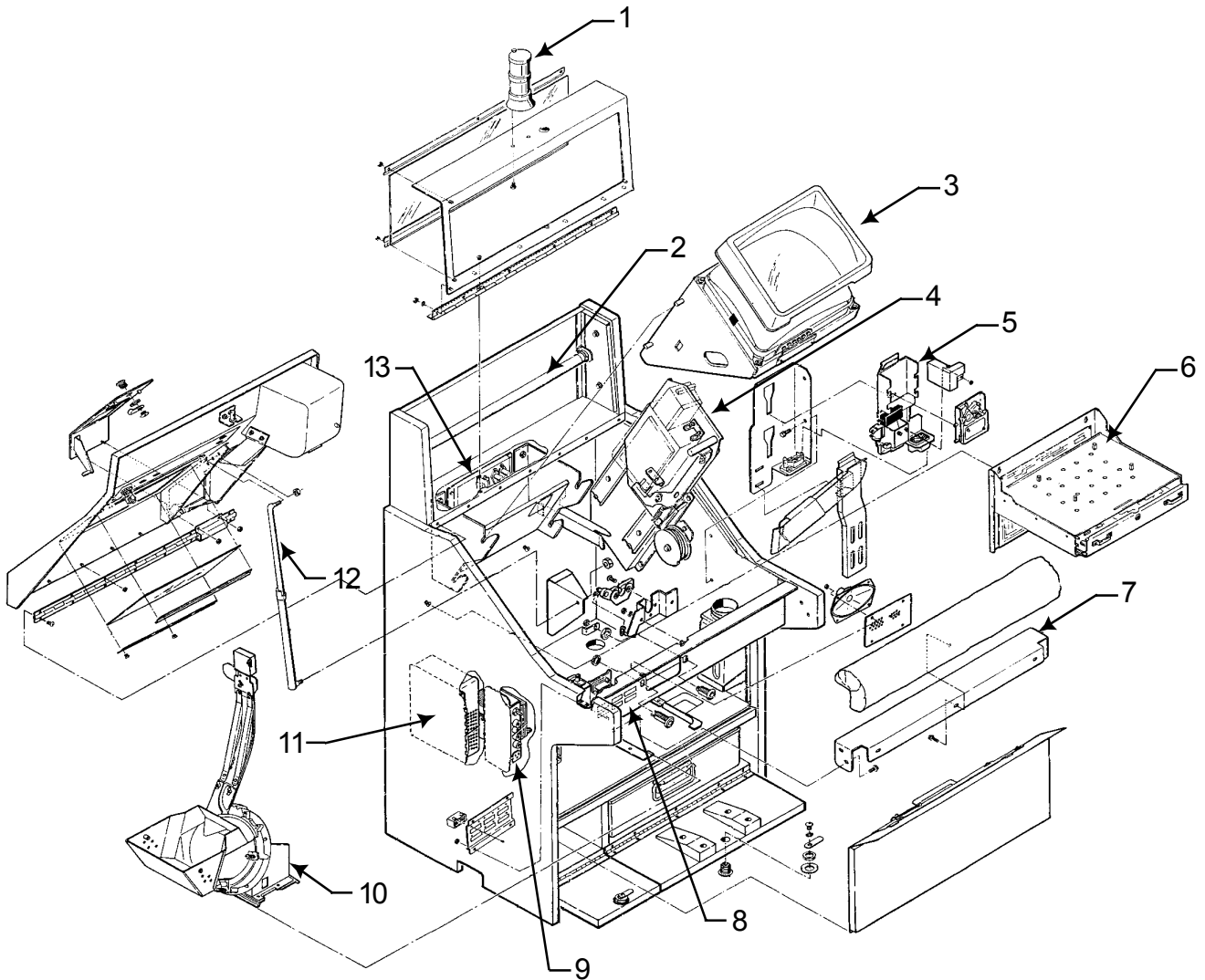
Coin	Dimension		Denomination Decal	Back Plate	Optic Board Mounting Block	Coin Acceptor	Mounting Bracket	Tower Lens	Tower Color	Seiko Hopper
	Diameter	Thickness								
Nickel	0.825" (20.96 mm)	0.078" (1.98 mm)	D100-.05+-BERM	C-04110-1005	M-01755-0952	E-00887-0201	A-04361-0045	M-02100-0202	Red	AS-03105-0339
Token .25	0.865" (21.97 mm)	0.067" (1.70 mm)	D100-TOK25-BERM	C-04110-1005	M-01755-0949	E-00887-0201	A-04361-0045	M-02100-0204	Yellow	AS-03105-0353
Quarter	0.955" (24.26 mm)	0.067" (1.70 mm)	D100-.25+-BERM	C-04110-1008	M-01755-0949	E-00887-0201	A-04361-0045	M-02100-0204	Yellow	AS-03105-0333
Half	1.205" (30.61 mm)	0.086" (2.18 mm)	D100-50C+-BERM	C-04110-1016	M-01755-0950	E-00887-0205	A-04361-0045	M-02100-0206	Coral	AS-03105-0335
Dollar	1.500" (38.10 mm)	0.100" (2.54 mm)	D100-\$1+-BERM	C-04111-1006	M-01755-0951	E-00887-0203	A-04361-0045	M-02100-0203	Blue	AS-03105-0337
\$100	1.595" (40.51 mm)	0.090" (2.29 mm)	D100-\$10+-BERM	C-04111-1008	M-01755-0953	E-00887-0208	A-04361-0018	M-02100-0201	White	AS-03105-0431
\$10	1.740" (44.20 mm)	0.125" (3.18 mm)	D100-\$10+-BERM	C-04111-1011	M-01755-0953	E-00887-0204	A-04361-0018	M-02100-0207	Purple	AS-03105-0429
\$5	1.750" (44.45 mm)	0.125" (3.18 mm)	D100-\$5+-BERM	C-04111-1011	M-01755-0953	E-00887-0202	A-04361-0018	M-02100-0207	Purple	AS-03105-0341
\$25	1.875" (47.625 mm)	0.125" (3.18 mm)	D100-\$25+-BERM	C-04111-1012	M-01755-0954	E-00887-0202	A-04361-0018	M-02100-0207	Purple	AS-03105-0343

Housing/Frame, Bill Acceptor, JCM, Mars, ARDAC AS-06603-0001, AS-06603-0009 (OLC)



Game Maker® Slant Top Parts

V7000 Slant Cabinet Assembly

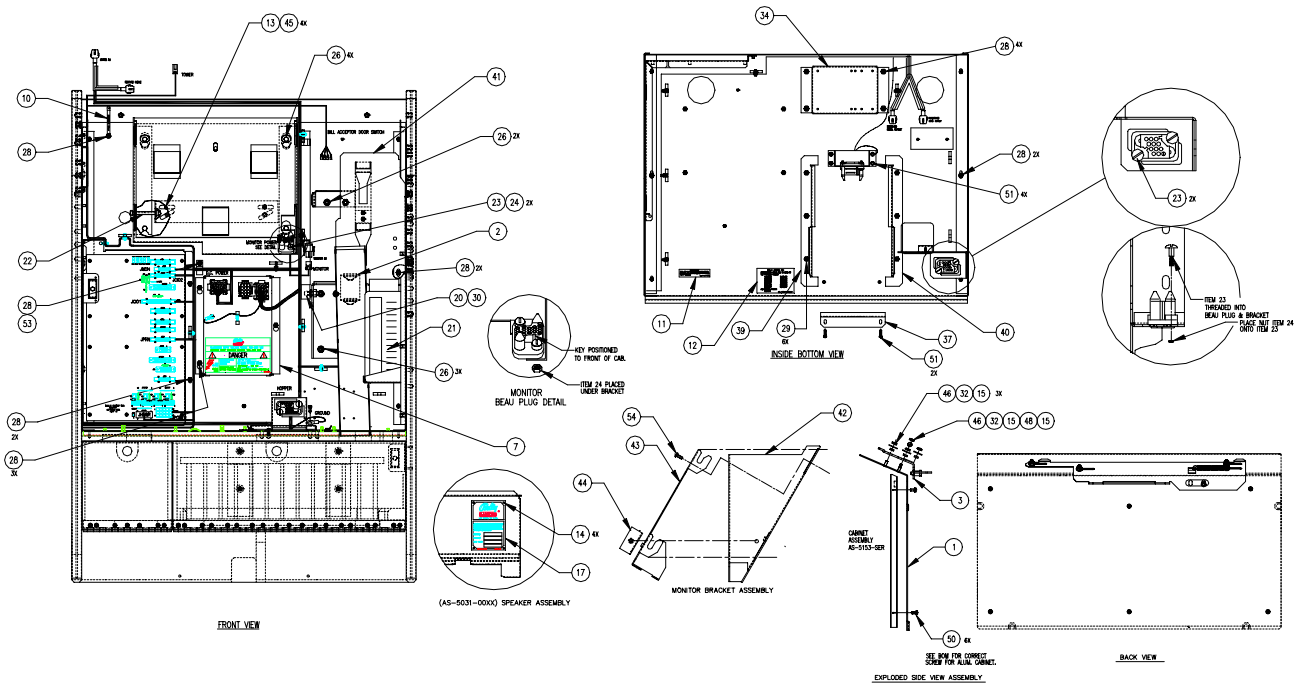
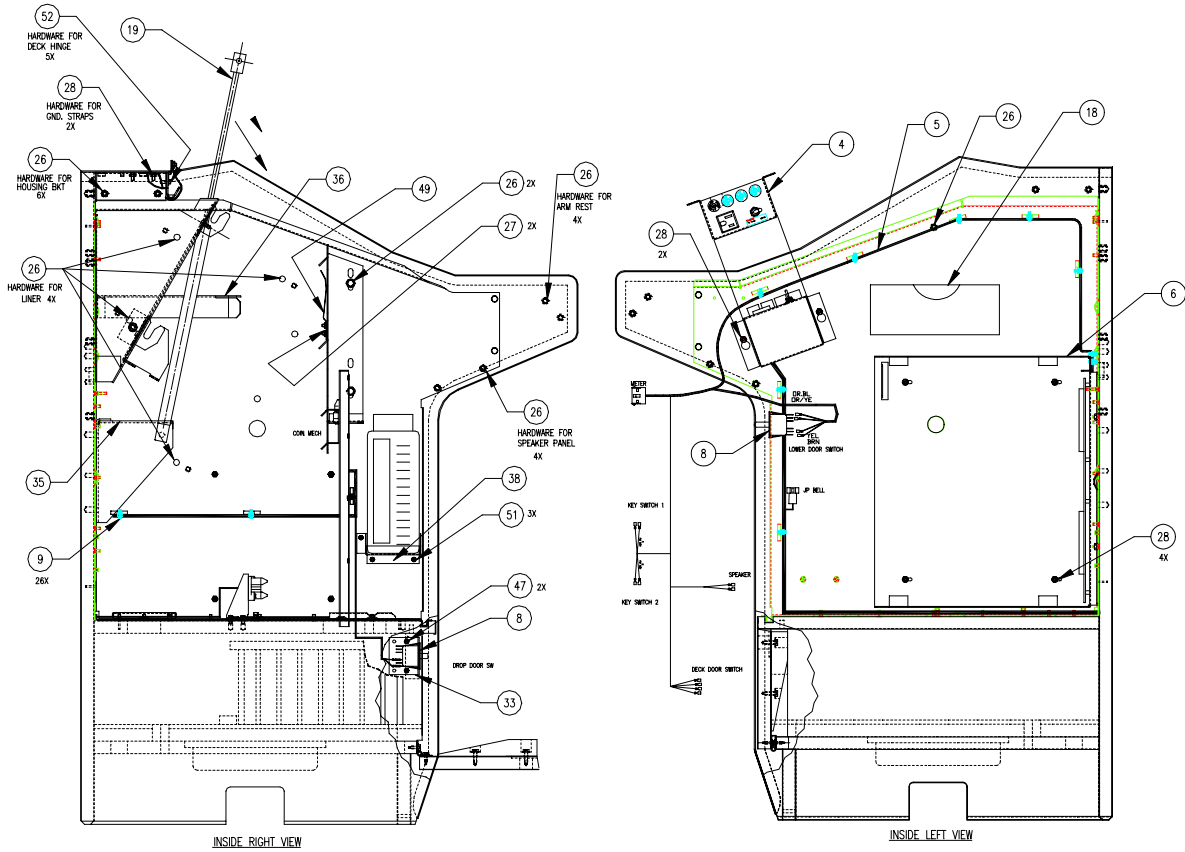




V7000 Slant Cabinet Assembly (cont.)

Game Maker® 7000 Slant		
Item	Part #	Description
1	TWR (series)	Tower. See page 33.
2	E-00412-0019	Lamp, Fluorescent, 24" Soft White Appliance
3	E-00832-0076	Monitor, 14" with Touch Screen
	E-00832-0091	Monitor, 14" without Touch Screen
4	AS-04560-0800	JCM Bill Acceptor. See page
5	AS-05035-0001	Coin Acceptor Assembly, Narrow (0.7-1.5)
	AS-05035-0002	Coin Acceptor Assembly, Wide (1.5 - 2.0)
6	AS-04174-0013	Backplane Assembly
7	AS-05034-(series)	Arm Rest Assembly
8	AS-05031-0001	Three Meter Assembly
9	AS-03025-0105	Cabinet Power Cable Assembly
10	AS-03108-(series)	Hopper, Asahi Seiko
11	AS-04238-0065	PDU Standard (Power Supply)
12	M-01777-5434	Spring, Gas, 63Lbs.
13	AS-02335-0069	Starter/Ballast Assembly, 60Hz.
	AS-02335-0071	Starter/Ballast Assembly, 50Hz.
Not Shown	K-01500-(series)	Kit, Deck Buttons
	AS-04571-0006	Switch, Rectangle, Black, HOLD/CANCEL
	AS-04572-0001	Switch, Square, Black, CHANGE
	AS-04572-0003	Switch, Square, Black, BET ONE
	AS-04572-0004	Switch, Square, Black, BET MAX
	AS-04572-0007	Switch, Square, Black, CASH/CREDIT
	AS-04572-0025	Switch, Square, Black, DEAL/DRAW/START
	E-00126-0120	Line Cord, Modular, 8ft. (Italy)
	E-00126-0121	Line Cord, Modular, 8ft. Domestic
	E-00126-0122	Line Cord, Modular 2.5 meters, Europe
	E-00126-0123	Line Cord, Modular, 8.167 ft. (UK)
	E-00126-0132	Cord Set, Nema 6-15p, 8ft. Domestic
	E-00126-0157	Cord Set, 8.2ft., BS546/IEC320 (South Africa)
	E-00122-0223	Transformer, 120VAC 50/60Hz. See page 31.
E-00122-0224	Transformer, 220/240VAC 50/60Hz. See page 32.	
K-00674-0151	Bell Kit	

Cabinet with Touchscreen Monitor AS-04222-0261

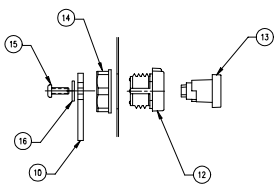
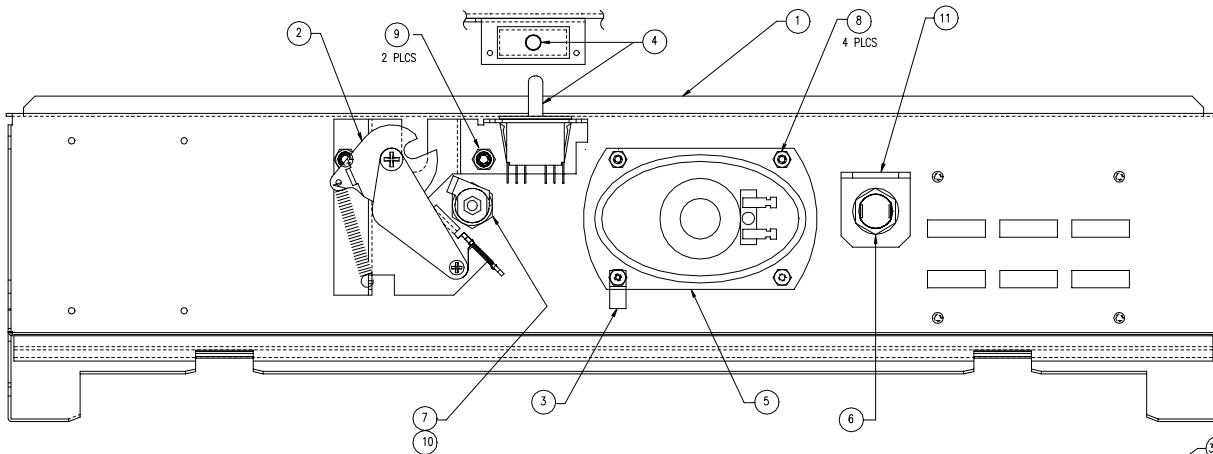




Cabinet with Touchscreen Monitor (cont.)
AS-04222-0261

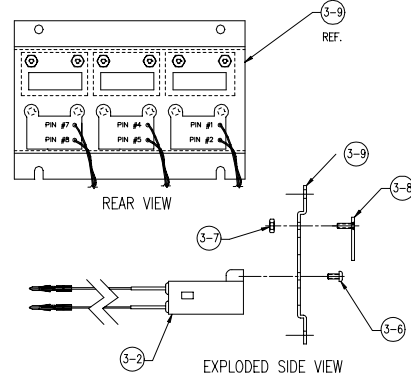
55	1	SP-00200-0248	SPRING, (FOR DOOR SWITCH, NOT SHOWN)
54	1	LSPP-01032-1108	SCREW, 8-32 X 1/2 THD. SLOTTED PAN HD.
53	1	C-00271-0012	CLIP 3/4D X 1/2 X 13/64 CPC743-12
52	5	TFSS-00832-1108	SCREW, 8-32 X 1/2 THD.FORM SLOTTED SERRATED HEX HD.
51	9	TFSS-00832-1106	SCREW, 8-32 X 3/8 THD.FORM SLOTTED SERRATED HEX HD.
50	6	SAPP-01000-1108 MSOS-01032-1106	SCREW,#10 X 1/2 SHT. METAL "A" PHIL PAN HD. SCREW,10-32 X 3/8 MACH WASHER HEAD SERRATED HEX HD.
49	1	SP-00400-0001	SPRING, FLAT, COMPARTOR BIAS.
48	1	SP-00100-0021	SPRING, EXTENSION
47	2	SASS-00800-1108	SCREW, #8 X 1/2 SHT.MET SLOTTED SERRATED HEX HD.
46	4	S-00231-1002	SPACER, LATCH RELEASE
45	4	PW-00008-0012	WASHER, PLAIN
44	1	P-09319-0291	ADJUSTER, MONITOR BRACKET
43	1	P-09319-0290	BRACKET, MONITOR SUPPORT
42	1	P-09319-0289	BRACKET, MONITOR MOUNTING
41	1	P-09319-0208	BRACKET, COIN ASSEMBLY
40	1	P-09319-0156	GUIDE, HOPPER, RIGHT
39	1	P-09319-0155	GUIDE, HOPPER, LEFT
38	1	P-09319-0141	BRACKET, DRAIN BOTTLE
37	1	P-09319-0140	BRACKET, HOPPER SHIPPING
36	1	P-09319-0139	BRACKET, ESCALATOR ALIGNMENT
35	1	P-09319-0138	BRACKET, HATCH CYLINDER
34	1	P-09319-0137	BRACKET, TRANSFORMER
33	1	P-09319-0135	BRACKET, DOOR SWITCH
32	4	P-00801-0353	WASHER
31			
30	1	NLS-31218-1112	NUT, 5/16-18 KEPS
29	6	NLS-01032-1112	NUT, 10-32 KEPS
28	23	NLS-00832-1112	NUT, 8-32 KEPS
27	2	NLS-00632-1112	NUT, 6-32 KEPS
26	30	MSOS-25020-1108	SCREW 1/4 X 1/2 MACH SERRATED HEX HEAD.
25	1	M-03107-0001	BUCKET, COIN NDC2060
24	4	M-03064-001A	NUT, HEX. METRIC, M4 X .7
23	4	M-03063-001A	SCREW, SHOULDER AMP P/N 2082111
22	1	M-01777-5644	BOLT, 1/4-20 X 2-1/2" HEX HEAD
21	1	M-01777-5439	DRAIN BOTTLE
20	1	M-01777-5437	BALL STUD
19	1	M-01777-5434	SPRING, GAS, 63 LBS.
18	1	M-01777-5415	ENVELOPE, PLASTIC 7.5 X 3.0
17	1	M-00819-0102	PLATE, IDENTIFICATION
16	2	M-00607-0004	WASHER, SPUR SPECIAL
15	5	M-00319-0001	STOP NUT, ELASTIC, 10-32 TAP
14	4	M-00180-179A	RIVET, POP, 1/8 X .232 DOMED HEAD
13	4	LSPP-00832-1104	SCREW, 8-32 X 1/4 MACH W/LOCK PHIL PAN HD.
12	1	LBL-00185-001C	LABEL, GAME PATENT
11	1	LBL-00109-001A	LABEL, POWER OFF
10	1	E-00685	GROUND STRAP
9	26	E-00647-0005	CABLE TIE,
8	2	E-00108-0385	SWITCH, DOOR
7	1	AS-04238-0065	ASSEMBLY, PDU
6	1	AS-04174-0013	ASSEMBLY, BACKPLANE BD.
5	1	AS-03025-0106	ASSEMBLY, CABINET CABLE
4	1	AS-03025-0105	ASSEMBLY, AC CABLE
3	1	A-04506-0001	ASSEMBLY, FRONT DOOR REL BAR
2	1	A-04380-0012	ASSEMBLY, DROP CHUTE
1	1	A-04189-0006	ASSEMBLY, DOOR, FRONT
ITEM	QTY	PART NUMBER	DESCRIPTION

**Meter Assembly
AS-05031-SERIES**



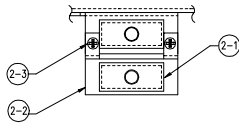
LOCK ASSEMBLY

ITEM	QTY	PART NUMBER	DESCRIPTION
17	A/R	S-00231-1003	SPACER, LOCK #.875 x #.76 x .63
16	1	M-01700-0006	WASHER, LOCK #6 EXT. TOOTH.
15	1	HLPP-00600-1106	SCREW, #6 X 3/8 HI/LOW FOR PLASTIC PHIL PAN HD.
14	1	M-01757-0016	NUT, LOCK PLASTIC
13	1	M-01757-0017	LOCK CYLINDER PLASTIC
12	1	M-01757-0014	HOUSING LOCK PLASTIC
11	1	P-09319-0165	GUARD, RESET SWITCH
10	1	P-00758-0117	CAM, SINGLE LOCK
9	2	NLS-25020-1112	NUT, STAR
8	8	NLS-00832-1112	NUT, 8-32 KEPS
7			
6	REF.	M-00281-0171	LOCK, BARREL TYPE, W/INT. SW
5	1	E-00281-0019	SPEAKER, 3 X 5 OVAL QUAM
4	A/R	E-00108-0384	SWITCH, DOOR CHERRY
3	1	C-00271-0004	CLIP, 1/4D X 3/8 X 11/64
2	1	AS-04332-0001	LATCH, RATCHET
1	1	SEE LEGEND	ASSEMBLY, PANEL SPEAKER & LATCH



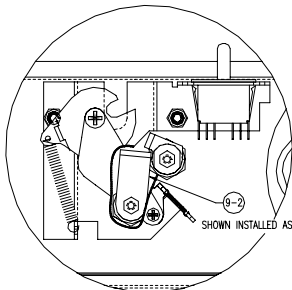
REAR VIEW

EXPLODED SIDE VIEW



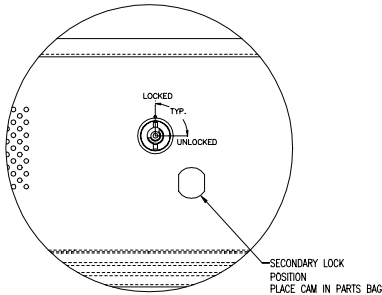
SECONDARY SWITCH OPTION
OPTION 2

ITEM	QTY	PART NUMBER	DESCRIPTION
2-3	2	TFPP-00632-1104	SCREW, 6-32 X 1/4 THD FORM PHIL PAN
2-2	1	P-09319-0245	BRACKET, SECONDARY DECK SWITCH
2-1	2	E-00108-0384	SWITCH, DOOR CHERRY E78-30A



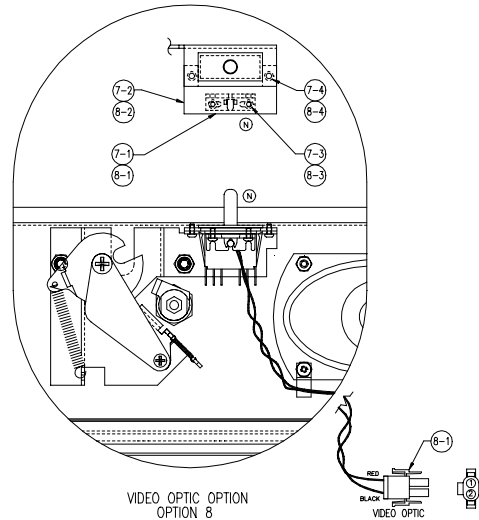
2 LOCK OPTION
OPTION 9

SHOWN INSTALLED AS REFERENCE ONLY



SECONDARY LOCK
POSITION
PLACE CAM IN PARTS BAG

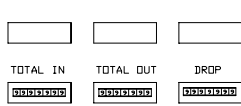
ITEM	QTY	PART NUMBER	DESCRIPTION
9-2	1	P-00758-0118	CAM, DUAL LOCK
9-1			



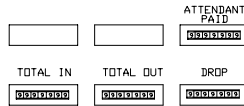
VIDEO OPTIC OPTION
OPTION 8

ITEM	QTY	PART NUMBER	DESCRIPTION
8-4	2	TFPP-00632-1104	SCREW, 6-32 X 1/4 THD FORM PH PAN
8-3	2	TFPP-00440-1104	SCREW, 4-40 X 1/4 THD FORM PH PAN
8-2	1	P-09319-0256	BRACKET, DOOR OPTIC
8-1	1	E-00664-0484	ASSEMBLY, DOOR OPTIC EMITTER V55

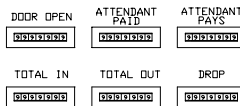
Meter Assembly (cont.) AS-05031-SERIES



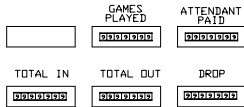
3 METER OPTION
LBL-00180-0003 LABEL, 3 METER, TI/TO/DROP
METER OPTION 3



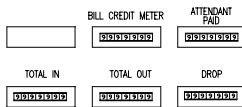
4 METER OPTION
LBL-00180-0003 LABEL, 3 METER, TI/TO/DROP
LBL-00180-0004 LABEL, 4th METER, ATTEND. PAID
METER OPTION 4



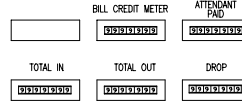
6 PR METER OPTION
LBL-00180-0003 LABEL, 3 METER, TI/TO/DROP
LBL-00180-0004 LABEL, 4th METER, ATTEND. PAID
LBL-00219-0001 LABEL, ATTENDANT PAYS
LBL-00217-0001 LABEL, 6th METER, DOOR OPEN
METER OPTION 6



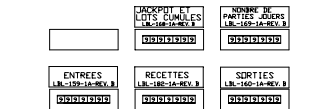
5 METER OPTION
LBL-00180-0003 LABEL, 3 METER, TI/TO/DROP
LBL-00180-0004 LABEL, 4th METER, ATTEND. PAID
LBL-00181-0002 LABEL, 5th METER, GAMES PLAYED
METER OPTION 5A



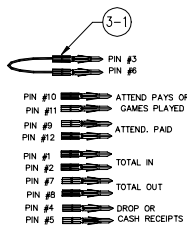
5 METER OPTION W/BILL ACCEPTOR
LBL-00180-0003 LABEL, 3 METER, TI/TO/DROP
LBL-00180-0004 LABEL, 4th METER, ATTEND. PAID
LBL-00180-0011 LABEL, 5th METER, BILL CREDIT MR
METER OPTION 5B



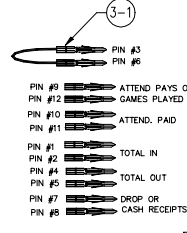
5 METER OPTION W/BILL ACCEPTOR
LBL-00180-0003 LABEL, 3 METER, TI/TO/DROP
LBL-00180-0004 LABEL, 4th METER, ATTEND. PAID
LBL-00180-0011 LABEL, 5th METER, BILL CREDIT MR
CBL-20173-0001 CABLE, 5TH MR AS BILL
FO-00484-7748 INSTR. 5TH MR. AS BILL
METER OPTION 5D



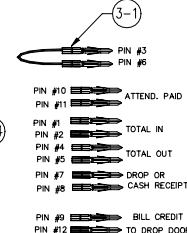
5 FR METER OPTION SLOTS
LBL-00159-001A LABEL, TOTAL IN FRENCH
LBL-00160-001A LABEL, TOTAL OUT FRENCH
LBL-00168-001A LABEL, ATTENDANT PAID FRENCH
LBL-00169-001A LABEL, GAMES PLAYED FRENCH
LBL-00182-001A LABEL, CASH RECEIPTS FRENCH
METER OPTION 5FS



CONNECTION DIAGRAM
FRENCH SLOT ONLY



CONNECTION DIAGRAM
BILL DROP CONN. ONLY



CONNECTION DIAGRAM 5D
BILL DROP CONN. ONLY

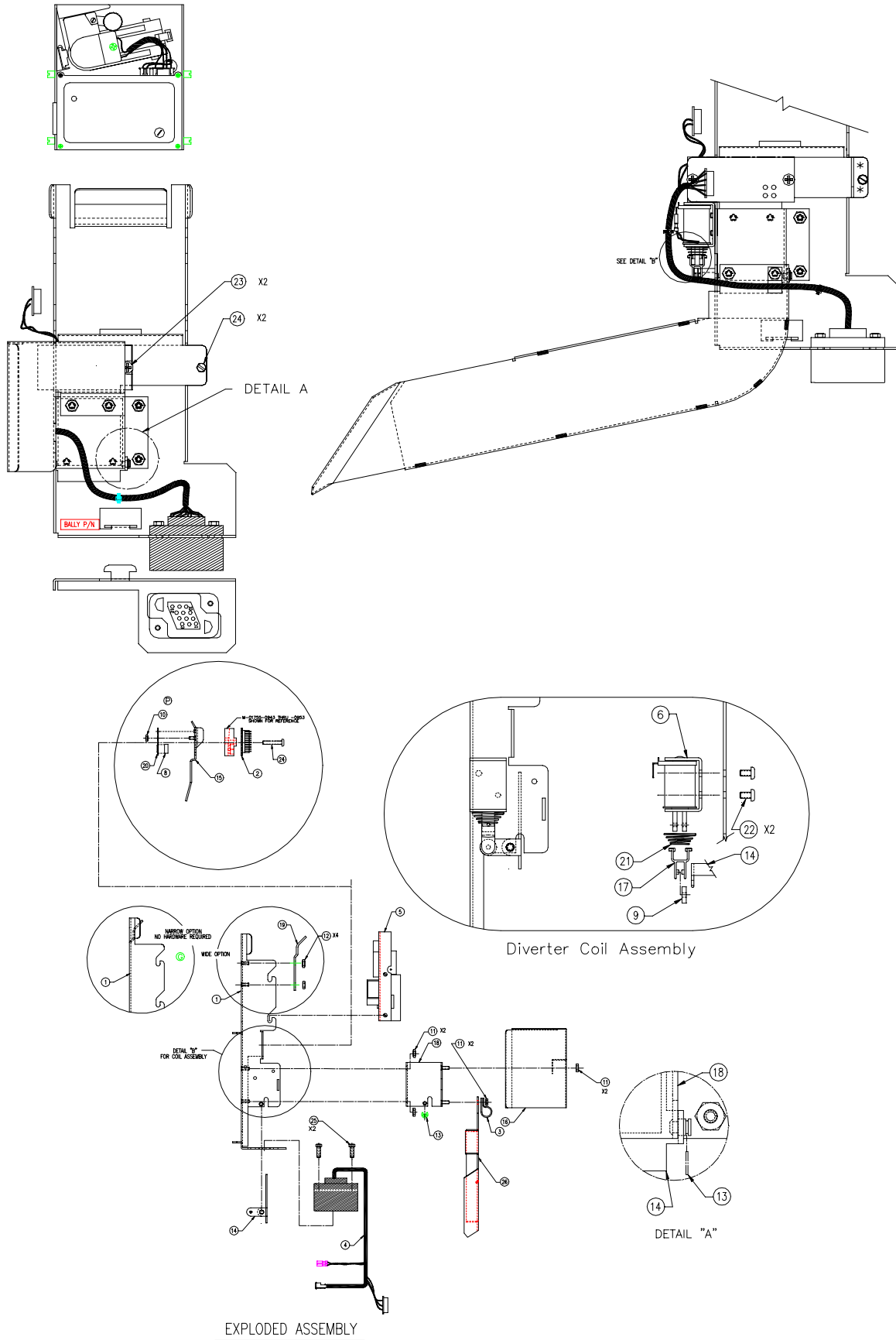
(x) DENOTES OPTION SELECTION

3-9	1	1	1	1	1	1	P-09319-0236	BRACKET, METER MOUNTING
3-8	3	2	1	1	1	0	P-04474-0001	GUARD, METER, BLACK
3-7	6	4	2	2	2	0	NLS-00440-1112	NUT, 4-40 KEPS
3-6	6	8	10	10	10	12	LSPP-M0350-1104	SCREW, 3MM X .5 MACH W/LOCK PH PAN
3-5	(3)	(4)	(5A/5B)	(5FS/FV)	(5D)	(6)	SEE LABEL OPTION	
3-4	1	1	1	1	1	1	E-00808-0012	CONN. HOUSING PLUG., #1, 480708-0
3-3	0	0	0	0	1	1	E-00808-0002	CONN. HOUSING PLUG., #1, 480698-0
3-2	3	4	5	5	5	6	E-00664-0491	ASSEMBLY, 7 DIGIT METER W/TERM
3-1	0	0	0	1	0	0	CBL-20047-0001	CABLE, JUMPER FRENCH MTR. DETECT
ITEM	3 MTR. QTY.	4 MTR. QTY.	5 MTR. QTY.	5 MTR. FRENCH QTY.	5 MTR. DROP MR QTY.	6 MTR. P.R. QTY.	PART NUMBER	DESCRIPTION

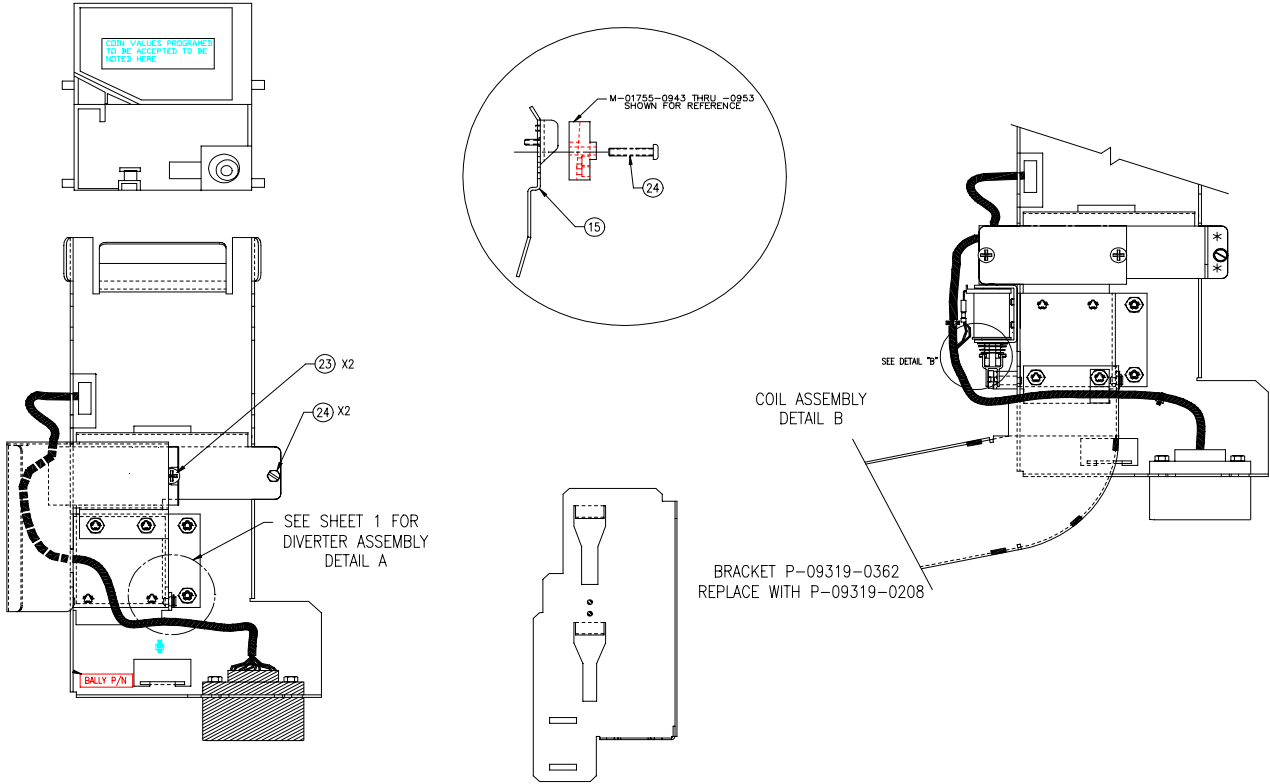
LEGEND

ASSEMBLY NO	DESCRIPTION	ITEM 1	(M)	ITEM 4 QTY.	OPTIONS	ITEM 17 QTY.
AS-05031-0001	ASSY.,SPEAKER/3M/TI/TO/D/**/**/1LK, 1SW	A-04289-0010		1	OPTIONS 3	1
AS-05031-0002	ASSY.,SPEAKER/0M/**/**/1LK, 1SW	A-04289-0010		1	OPTIONS 1	1
AS-05031-0003	ASSY.,SPEAKER/6M/TI/TO/D/AP/AP/DR 1LK, 1SW, S/PR	A-04289-0010		1	OPTIONS 6,7	1
AS-05031-0004	ASSY.,SPEAKER/6M/TI/TO/D/AP/AP/DR 1LK, 1SW, V/PR	A-04289-0010		1	OPTIONS 6,8	1
AS-05031-0005	ASSY.,SPEAKER/4M/TI/TO/D/AP/**/1LK, 1SW	A-04289-0010		1	OPTIONS 4	1
AS-05031-0006	ASSY.,SPEAKER/3M/TI/TO/D/**/**/2LK, 1SW	A-04289-0011		1	OPTIONS 3,9	2
AS-05031-0007	ASSY.,SPEAKER/5M/TI/TO/D/AP/GP/**/1LK, 1SW	A-04289-0010		1	OPTIONS 5A	1
AS-05031-0008	ASSY.,SPEAKER/5M/TI/TO/D/AP/GP/**/1LK, 1SW, S/FR	A-04289-0010		1	OPTIONS 5FS,7	1
AS-05031-0009	ASSY.,SPEAKER/5M/TI/TO/D/AP/GP/**/1LK, 1SW V/FR	A-04289-0010		1	OPTIONS 5FV,8	1
AS-05031-0010	ASSY.,SPEAKER/4M/TI/TO/D/AP/**/2LK, 1SW	A-04289-0011		1	OPTIONS 4,9	2
AS-05031-0011	ASSY.,SPEAKER/4M/TI/TO/D/AP/**/2LK, 1SW 2DR/SW	A-04289-0011		2	OPTIONS 2,4,9	2
AS-05031-0012	ASSY.,SPEAKER/0M/**/**/1LK, 1SW 2DR/SW	A-04289-0010		2	OPTIONS 1,2	1
AS-05031-0013	ASSY.,SPEAKER/3M/TI/TO/D/**/**/1LK, 2SW TOUR	A-04289-0012		1	OPTIONS 3,10	1
AS-05031-0014	ASSY.,SPEAKER/4M/TI/TO/D/AP/**/2LK, 2SW TOUR	A-04289-0013		1	OPTIONS 4,9,10	2
AS-05031-0015	ASSY.,SPEAKER/4M/TI/TO/D/AP/**/1LK, 2SW TOUR	A-04289-0012		1	OPTIONS 4,10	1
AS-05031-0016	ASSY.,SPEAKER/5M/TI/TO/D/AP/BL/**/1LK, 1SW V55	A-04289-0010		1	OPTIONS 5B	1
AS-05031-0017	ASSY.,SPEAKER/0M/**/**/2LK, 1SW	A-04289-0011		1	OPTIONS 1,9	1
AS-05031-0018	ASSY.,SPEAKER/5M/TI/TO/D/AP/BL/**/1LK, 1SW BL/DROP	A-04289-0010		1	OPTIONS 5D	1
AS-05031-0019	ASSY.,SPEAKER/5M/TI/TO/D/AP/BL/**/1LK, 2SW TOUR	A-04289-0012		1	OPTIONS 5B,10	1
AS-05031-0020	ASSY.,SPEAKER/0M/**/**/1LK, 2SW	A-04289-0012		1	OPTIONS 1,10	1
AS-05031-0021	ASSY.,SPEAKER/5M/TI/TO/D/AP/BL/**/2LK, 1SW	A-04289-0011		1	OPTIONS 5B,9,10	2

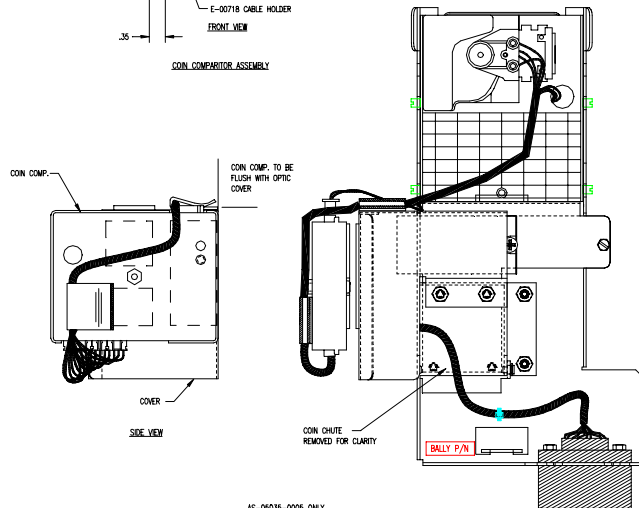
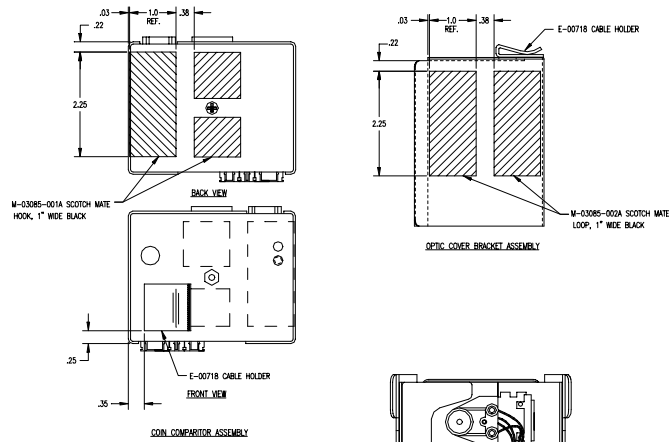
**Coin Acceptor Assembly
AS-05035-series**



Coin Acceptor Assembly (cont.) AS-05035-series



COIN MECH. ASSEMBLY NRI NARR.





Coin Acceptor Assembly (cont.) AS-05035-series

LEGEND

ASSEMBLY PART NO.	DESCRIPTION	ITEM 1 COIN BRACKET	ITEM 2 OPTIC DECODER	ITEM 4 CABLE	ITEM 5 COIN COMPARATOR	ITEM 8 PRISM	ITEM 12 NUT, 8-32 KEPS
AS-05035-0001	ASSY., COIN COMP BKT. 5c/25c NARR	A-04361-0045	AS-03356-0303	CBL-30472-0001	E-00887-0201	M-01755-0942	NOT REQ'D
AS-05035-0002	ASSY., COIN COMP BKT. \$5/\$25 WIDE	A-04361-0018	AS-03356-0303	CBL-30472-0001	E-00887-0202	M-01755-0942	NLS-00832-1112
AS-05035-0003	ASSY., COIN COMP BKT. \$1 NARR	A-04361-0045	AS-03356-0303	CBL-30472-0001	E-00887-0203	M-01755-0942	NOT REQ'D
AS-05035-0004	ASSY., COIN COMP BKT. 50c NARR	A-04361-0045	AS-03356-0303	CBL-30472-0001	E-00887-0205	M-01755-0942	NOT REQ'D
AS-05035-0005	ASSY., COIN COMP BKT. \$5. WINSOR	A-04361-0045	AS-03356-0303	CBL-30472-0001	E-00887-1054	M-01755-0942	NOT REQ'D
AS-05035-0006	ASSY., COIN COMP BKT. 5c/25c P.R.	A-04361-0045	AS-03356-0303	CBL-20157-0001	E-00887-0201	M-01755-0942	NOT REQ'D
AS-05035-0007	ASSY., COIN COMP BKT. \$1 NARR P.R.	A-04361-0045	AS-03356-0303	CBL-20157-0001	E-00887-0203	M-01755-0942	NOT REQ'D
AS-05035-0008	ASSY., COIN COMP BKT. NRI 5c (.835D)CAN	A-04361-0058	NOT REQ'D	CBL-20197-0001	E-00887-0046	NOT REQ'D	NOT REQ'D
AS-05035-0009	ASSY., COIN COMP BKT. NRI 25c (.941) CAN	A-04361-0058	NOT REQ'D	CBL-20197-0001	E-00887-0047	NOT REQ'D	NOT REQ'D
AS-05035-0010	ASSY., COIN COMP BKT. NRI \$1 CAN	A-04361-0058	NOT REQ'D	CBL-20197-0001	E-00887-0048	NOT REQ'D	NOT REQ'D
AS-05035-0011	ASSY., COIN COMP BKT. NRI, FIM5 (.965 X .07)	A-04361-0058	NOT REQ'D	CBL-20197-0001	E-00887-0070	NOT REQ'D	NOT REQ'D

ASSEMBLY PART NO.	DESCRIPTION	ITEM 14 DIVERTER	ITEM 15 OPTO BLOCK	ITEM 18 SIDE PLATE	ITEM 19 ALIGNMENT PLATE	ITEM 20 BKT, PRISM MTG.	ITEM 27 IC, PIC 16C54XT
AS-05035-0001	ASSY., COIN COMP BKT. 5c/25c NARR	P-09319-0125	P-09319-0148	P-09322-0209	NOT REQ'D	P-09322-048A	E-00620-0670
AS-05035-0002	ASSY., COIN COMP BKT. \$5/\$25 WIDE	P-09319-0196	P-09319-0195	P-09322-0210	P-09322-0107	P-09322-048A	E-00620-0670
AS-05035-0003	ASSY., COIN COMP BKT. \$1 NARR	P-09319-0125	P-09319-0148	P-09322-0209	NOT REQ'D	P-09322-048A	E-00620-0670
AS-05035-0004	ASSY., COIN COMP BKT. 50c NARR	P-09319-0125	P-09319-0148	P-09322-0209	NOT REQ'D	P-09322-048A	E-00620-0670
AS-05035-0005	ASSY., COIN COMP BKT. \$5. WINSOR	P-09319-0125	P-09319-0148	P-09322-0209	NOT REQ'D	P-09322-048A	E-00620-0670
AS-05035-0006	ASSY., COIN COMP BKT. 5c/25c P.R.	P-09319-0125	P-09319-0148	P-09322-0209	NOT REQ'D	P-09322-048A	E-00620-0670
AS-05035-0007	ASSY., COIN COMP BKT. \$1 NARR P.R.	P-09319-0125	P-09319-0148	P-09322-0209	NOT REQ'D	P-09322-048A	E-00620-0670
AS-05035-0008	ASSY., COIN COMP BKT. NRI 5c (.835D)CAN	P-09319-0125	P-09319-0148	P-09322-0209	NOT REQ'D	NOT REQ'D	NOT REQ'D
AS-05035-0009	ASSY., COIN COMP BKT. NRI 25c (.941) CAN	P-09319-0125	P-09319-0148	P-09322-0209	NOT REQ'D	NOT REQ'D	NOT REQ'D
AS-05035-0010	ASSY., COIN COMP BKT. NRI \$1 CAN	P-09319-0125	P-09319-0148	P-09322-0209	NOT REQ'D	NOT REQ'D	NOT REQ'D
AS-05035-0011	ASSY., COIN COMP BKT. NRI, FIM5 (.965 X .07)	P-09319-0125	P-09319-0148	P-09322-0209	NOT REQ'D	NOT REQ'D	NOT REQ'D

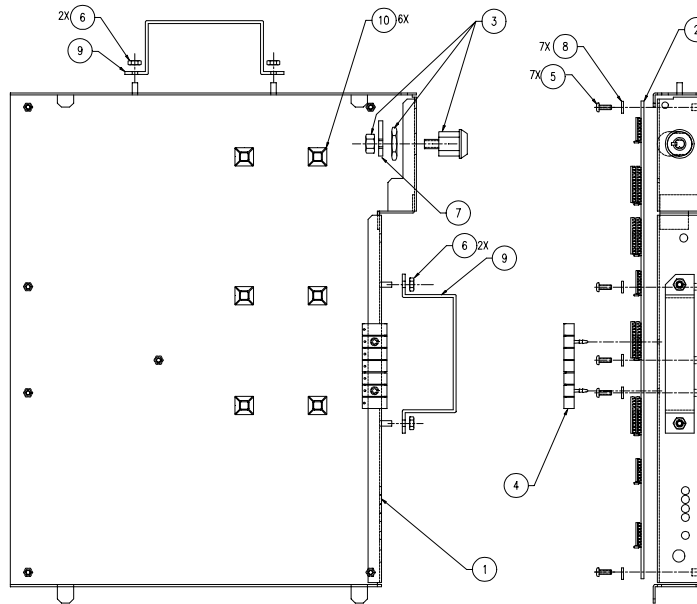
27	1	SEE LEGEND	IC, PIC 16C54XT/P, 18 PIN, STD
26	1	A-04380-0011	HOPPER DROP CHUTE
25	2	TFSS-00832-1108	SCREW, 8-32 X 1/2 SLOTTED SERRATED HEX
24	1	TFSS-00832-1104	SCREW, 8-32 X 1/4 SLOTTED SERRATED HEX
23	2	TFPP-00832-1114	SCREW, 8-32 X 7/8 THD FORM PHIL PAN HD.
22	2	TFPP-00632-1103	SCREW, 6-32 X 3/16 THD FORM PHIL PAN HD.
21	1	SP-00200-0246	SPRING, COMPRESSION
20	1	SEE LEGEND	BKT, PRISM MTG. LITE PANEL
19	1	SEE LEGEND	PLATE, COMPARATOR ALIGNMENT
18	1	SEE LEGEND	SIDE PLATE, DIVERTER
17	1	M-03104-0001	LINK, DIVERTER
16	1	P-09319-0170	COVER, OPTO BOARD
15	1	SEE LEGEND	BKT, OPTO BLOCK MTG.
14	1	SEE LEGEND	DIVERTER, COIN COMPARATOR
13	1	P-02891-0005	RETAINING RING .219 SHAFT X .025 THK.
12	4	SEE LEGEND	NUT, 8-32 KEPS
11	6	NLS-00632-1112	NUT, 6-32 KEPS
10	1	NLS-00440-1112	NUT, 4-40 KEPS
9	1	S-00231-1031	SPACER
8	1	SEE LEGEND	PRISM, COIN OPTIC
7	1		
6	1	E-00947-0018	COIN, DIVERTER
5	1	SEE LEGEND	COIN COMPARATOR
4	1	SEE LEGEND	CABLE, COIN I/O
3	1	C-00271-0004	CLIP, 1/4 X 3/8 X 11/64
2	1	SEE LEGEND	ASSEMBLY, COIN OPTIC DECODER BD
1	1	SEE LEGEND	ASSEMBLY, COIN COMP. BKT.
ITEM	QTY	PART NUMBER	DESCRIPTION



Game Maker® Slant Top With Asahi Seiko Hopper Coin-Specific Parts

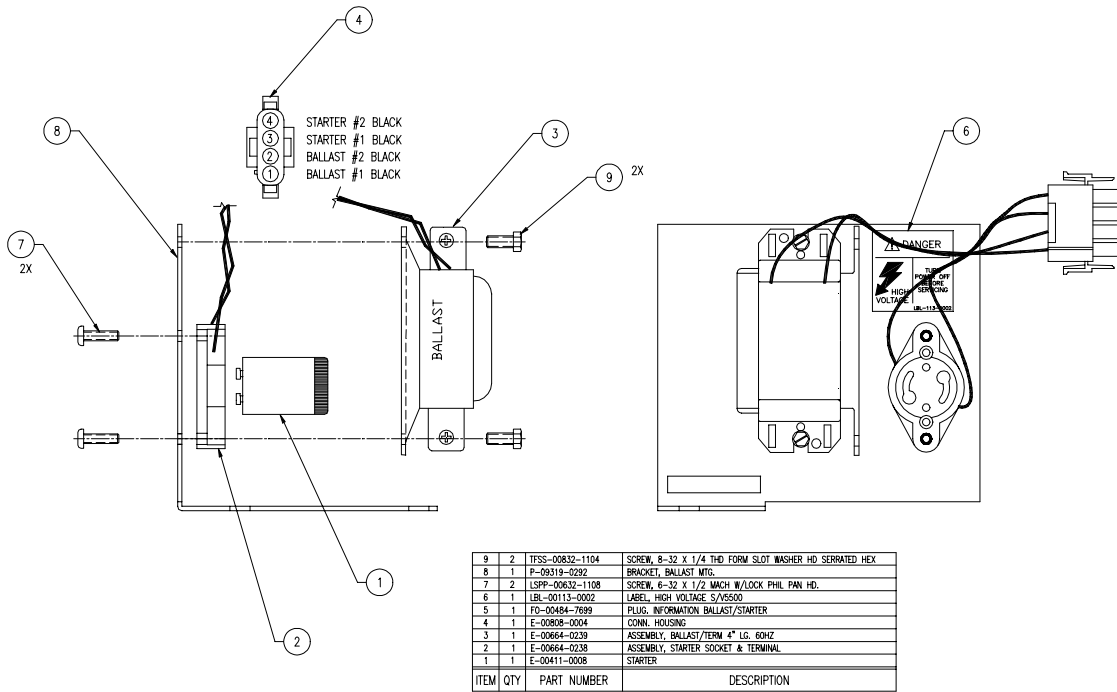
Coin	Dimension		Denomination Decal	Back Plate	Optic Board Mounting Block	Coin Acceptor	Mounting Bracket	Tower Lens	Tower Color	Seiko Hopper
	Diameter	Thickness								
Nickel	0.825" (20.96 mm)	0.078" (1.98 mm)	D100-.05+++BERM	C-04102-002A	M-01755-0952	E-00887-0201	A-04361-0045	M-02100-0202	Red	AS-03105-0339
Token .25	0.865" (21.97 mm)	0.067" (1.70 mm)	D100-TOK25-BERM	C-04102-008A	M-01755-0949	E-00887-0201	A-04361-0045	M-02100-0204	Yellow	AS-03105-0353
Quarter	0.955" (24.26 mm)	0.067" (1.70 mm)	D100-.25+++BERM	C-04102-004A	M-01755-0949	E-00887-0201	A-04361-0045	M-02100-0204	Yellow	AS-03105-0333
Half	1.205" (30.61 mm)	0.086" (2.18 mm)	D100-50C+++BERM	C-04102-005A	M-01755-0950	E-00887-0205	A-04361-0045	M-02100-0206	Coral	AS-03105-0335
Dollar	1.500" (38.10 mm)	0.100" (2.54 mm)	D100-\$1+++BERM	C-04103-002A	M-01755-0951	E-00887-0203	A-04361-0045	M-02100-0203	Blue	AS-03105-0337
\$100	1.595" (40.51 mm)	0.090" (2.29 mm)	D100-\$100+BERM	C-04102-004A	M-01755-0953	E-00887-0208	A-04361-0018	M-02100-0201	White	AS-03105-0431
\$10	1.740" (44.20 mm)	0.125" (3.18 mm)	D100-\$10+++BERM	C-04103-009A	M-01755-0953	E-00887-0204	A-04361-0018	M-02100-0207	Purple	AS-03105-0429
\$5	1.750" (44.45 mm)	0.125" (3.18 mm)	D100-\$5+++BERM	C-04103-003A	M-01755-0953	E-00887-0202	A-04361-0018	M-02100-0207	Purple	AS-03105-0341
\$25	1.875" (47.625 mm)	0.125" (3.18 mm)	D100-\$25+++BERM	C-04102-005A	M-01755-0954	E-00887-0202	A-04361-0018	M-02100-0207	Purple	AS-03105-0343

MPU Card Rack/Door AS-04231-0111

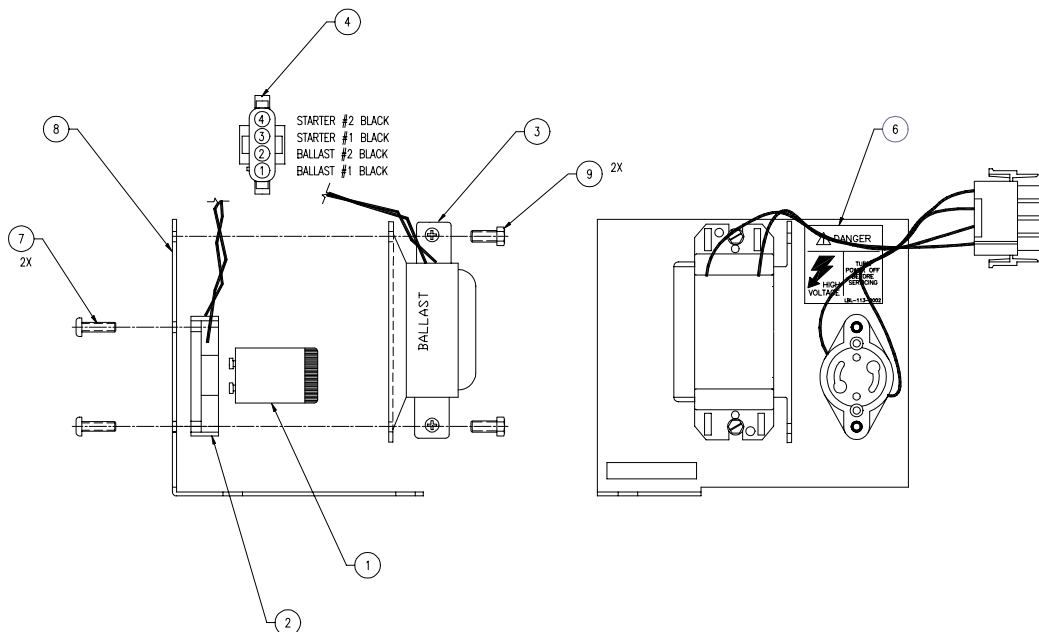


ITEM	QTY	PART NUMBER	DESCRIPTION
10	6	R-00409	BUMPER SELF STICKING
9	2	P-06264-0309	HANDLE, HOPPER
8	7	P-06801-0673	WASHER, 1.38 ID X .31 OD X .001THK
7	1	P-00759-0834	CAM, LOCK, 0.687 FLAT
6	4	NLS-00632-1112	NUT, 8-32 KEPS
5	7	MSFR-00632-1106	SCREW, 6-32 X 3/8 MACH PHIL PAN HD.
4	1	M-03001-0001	STRIP, GROUNDING
3	1	M-00991-1029	LOCK, NO CAM, BR/ACCEPTOR
2	1	AS-03356-0246	ASSEMBLY, CPU BOARD
1	1	A-04360-0014	ASSEMBLY, CPU COVER

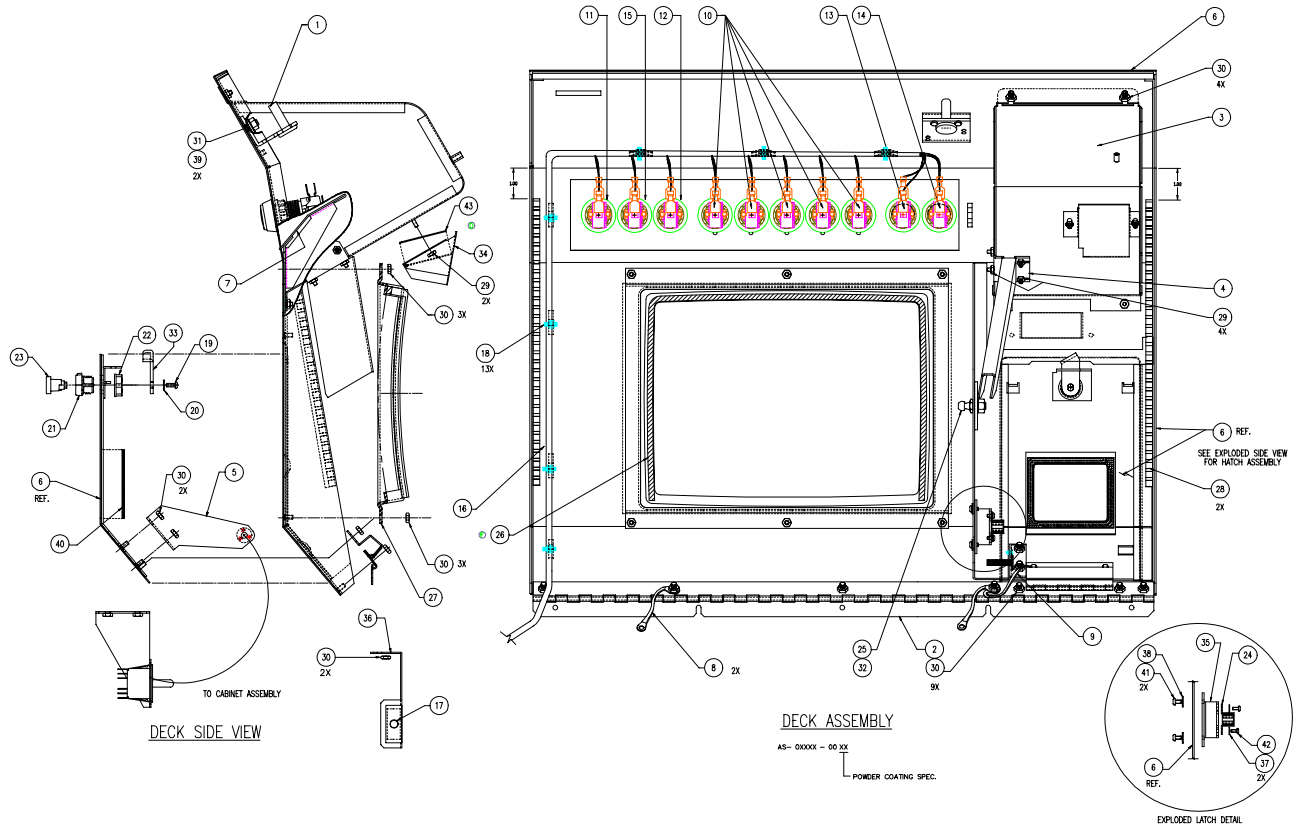
**Starter/Ballast, 60Hz.
AS-02335-0069**



**Starter/Ballast, 50Hz.
AS-02335-0071**

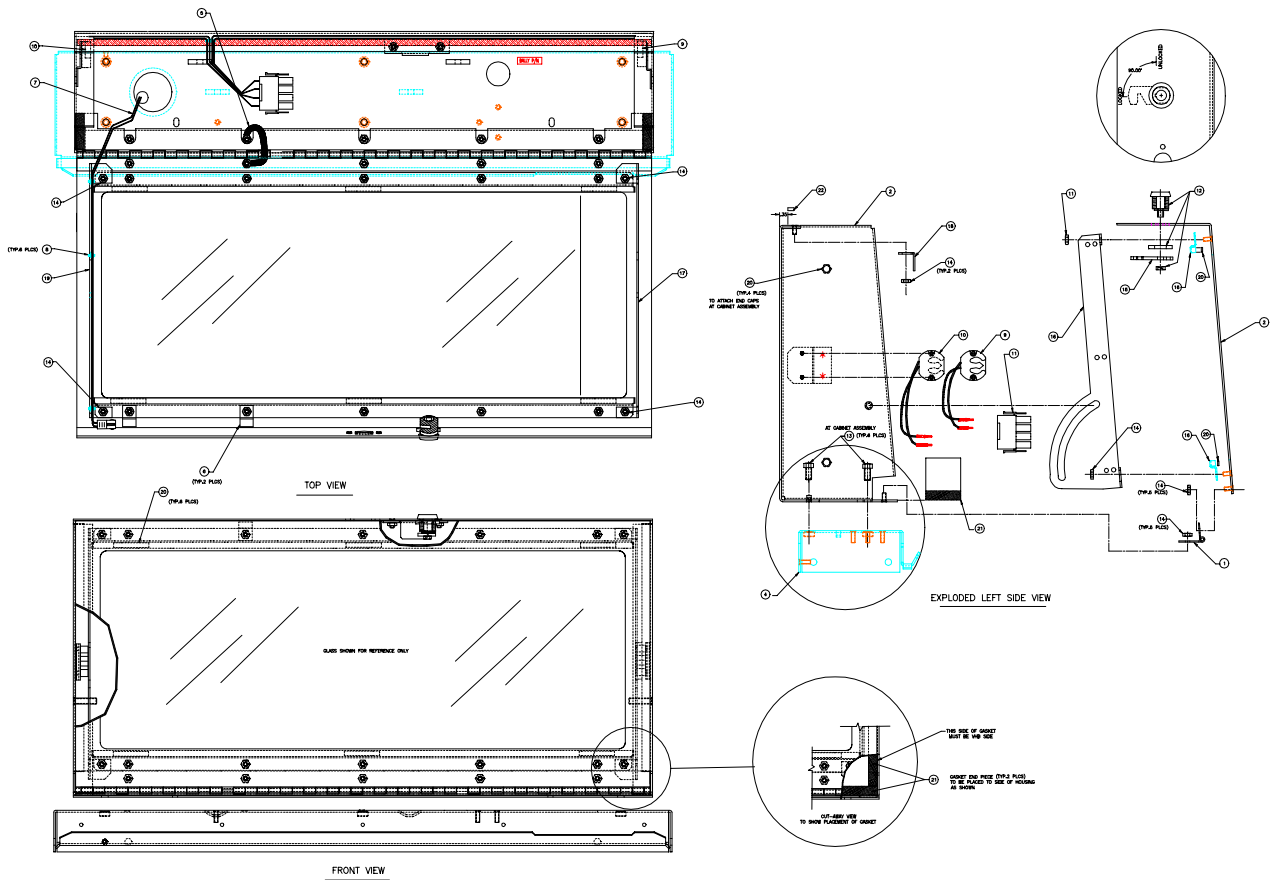


Deck AS-05150-(series)



ITEM	QTY	PART NUMBER	DESCRIPTION
43	1	P-09319-0318	GATE, COIN REJECT CHUTE
42	2	TFSS-00440-1104	SCREW, 4-40 X 1/4 SLOT WASH-HD SERRATED HEX
41	2	TFPP-00832-1106	SCREW, 8-32 X 3/8 THD FORM PH PAN
40	1	R-00553-0020	GASKET, BILL HATCH SMALL SQUARE
39	2	PW-00250-1012	WASHER, 1/4" PLAIN
38	2	PW-00008-0012	WASHER, #8 PLAIN
37	2	PW-00004-0012	WASHER, #4 PLAIN
36	1	P-09319-0301	BRACKET, SWITCH MOUNTING B/A HATCH
35	1	P-09319-0130	BRACKET, LATCH CATCH, BILL HATCH
34	1	P-09189-0010	CHUTE, COIN REJECT
33	1	P-00758-0103	CAM, LOCK STACKER HATCH
32	1	NLS-31218-1112	NUT, SELF-LOCKING 5/16-18
31	2	NLS-25020-1112	STAR NUT
30	23	NLS-00832-1112	NUT, 8-32 KEP
29	6	NLS-00632-1112	NUT, 6-32 KEP
28	2	M-03001-0002	GROUND, STRIP
27	1	M-02031-0018	BEZEL, 14" TOUCH SCREEN
26	1	M-01777-5649	GASKET, FOAM, MONITOR BEZEL
25	1	M-01777-5437	BALL STUD
24	1	M-01777-5435	LATCH, DECK MTG.
23	1	M-01757-0017	LOCK CYLINDER PLASTIC
22	1	M-01757-0016	NUT, LOCK PLASTIC
21	1	M-01757-0014	HOUSING LOCK PLASTIC
20	1	M-01700-0006	WASHER, LOCK, #6 EXT TOOTH
19	1	HLPP-00600-1106	SCREW, #6 X 3/8 HI LOW PHIL PAN
18	13	E-00647-0004	CABLE TIE
17	1	E-00108-0384	SWITCH, DOOR
16	1	CBL-30105-0001	CABLE, DOOR - DECK BUTTONS
15	1	AS-04572-0007	SWITCH, SQ. BLK CASH/CREDIT
14	1	AS-04572-0025	SWITCH, SQ. BLK DEAL/DRAW//START
13	1	AS-04572-0004	SWITCH, SQ. BLK BET MAX
12	1	AS-04572-0003	SWITCH, SQ. BLK BET ONE
11	1	AS-04572-0001	SWITCH, SQ. BLK CHANGE
10	5	AS-04571-0006	SWITCH, RECT. BLK HOLD/CANCEL
9	1	AS-03106-0010	ASSEMBLY, GROUND STRAP 4"
8	2	AS-03106-0006	ASSEMBLY, GROUND STRAP 6"
7	1	A-09094-0002	ASSEMBLY, CN. DEFLECTOR
6	1	A-04474-SERIES	ASSEMBLY, DECK FRAME & HATCH W/BILL ACCEPTOR
5	1	A-04361-0007	ASSEMBLY, BRACKET LATCH STRIKE PLATE HATCH
4	1	A-04312-0003	ASSEMBLY, CHUTE PAYOUT
3	1	A-04295-0007	ASSEMBLY, COIN CUP
2	1	A-04270-0021	ASSEMBLY, HINGE/HATCH
1	1	A-04228-0011	ASSEMBLY, STRIKE
ITEM	QTY	PART NUMBER	DESCRIPTION

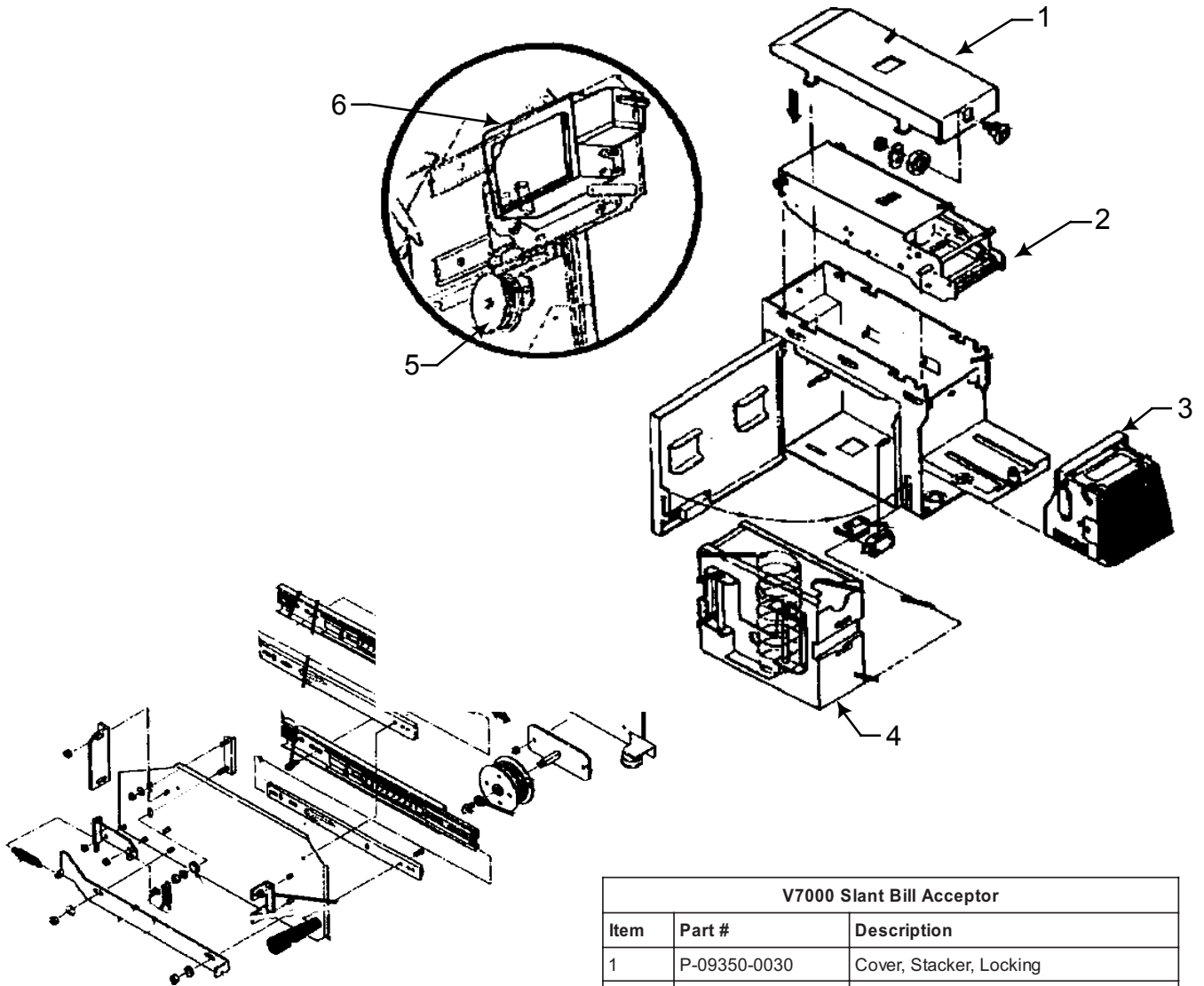
**Feature Display
AS-02471-SERIES**



AX - OXXXX - 00 XX
POWDER COATING SPEC.

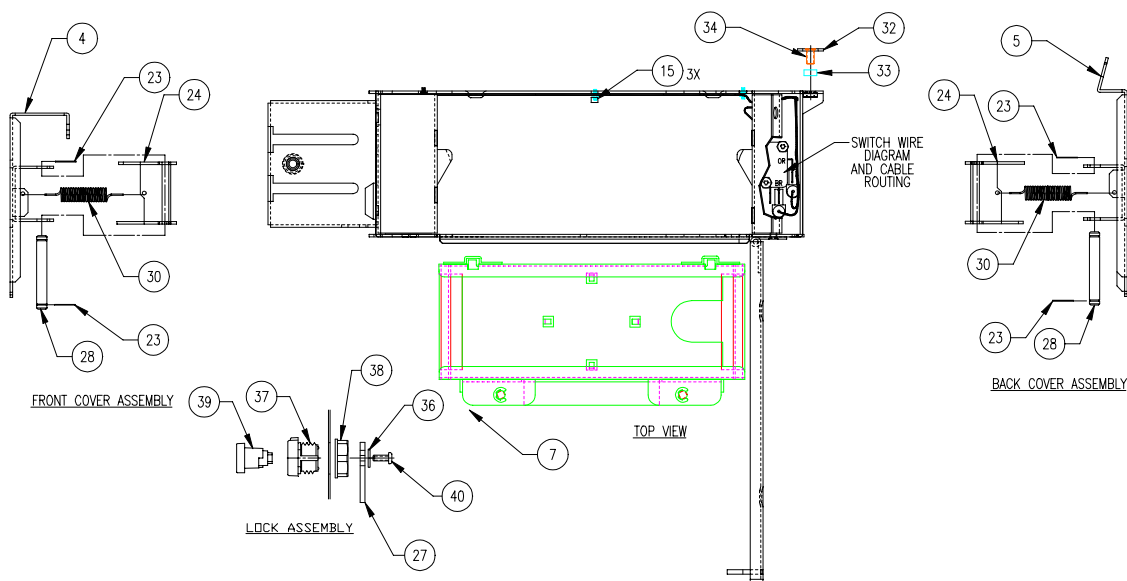
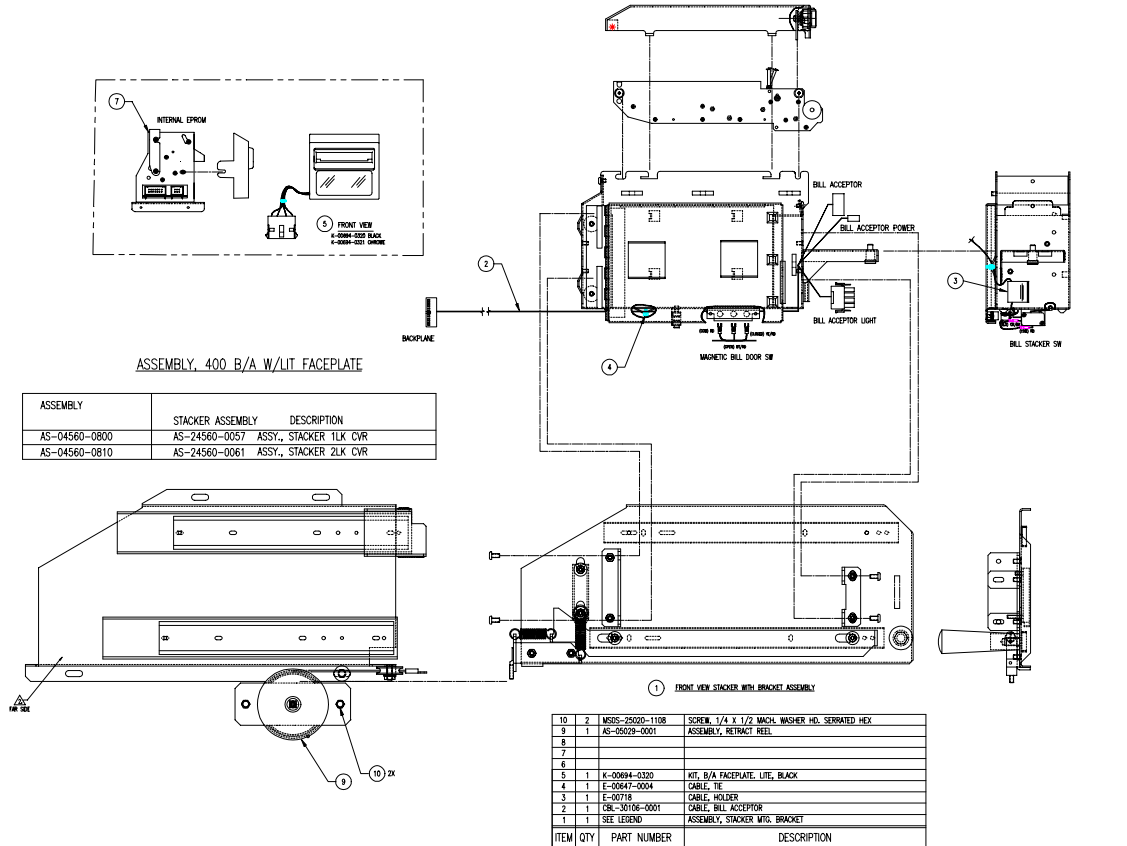
22	1	R-00553-0028	GASKET, 1/8" X .25 X 24.5 LONG LATCH SEAL
21	1	R-00553-0016	GASKET, FEATURE GLASS HINGE
20	6	R-00221-0032	RUBBER STRIP
19	1	P-09319-0161	BRACKET, DOOR STOP LEFT
18	1	P-09319-0158	LATCH, FEATURE GLASS
17	1	P-09319-0153	BRACKET, DOOR STOP RIGHT
16	2	P-06442-0705	RETAINER, FEATURE GLASS
15	1	P-00758-0101	CAM, LOCK FEATURE GLASS
14	26	NLS-00832-1112	NUT, 8-32 KEPS
13	10	MSOS-25020-1108	SCREW, 1/4 X 1/2 MACH. SC. WASHER HEAD HEX
12	1	M-00281-162A	LOCK, NO CAM BILL ACCEPTOR
11	1	E-00804-0004	CONNECTOR HOUSING CAP #1-480703-0
10	1	E-00664-0463	ASSEMBLY, LAMP HOLDER 8"
9	1	E-00664-0462	ASSEMBLY, LAMP HOLDER 21"
8	6	E-00647-0005	CABLE TIE
7	1	CBL-20020-0001	CABLE, FEATURE BOX VIDEO
6	2	C-00271-0003	CLIP 3/16D X 3/8 CPC742-3
5	1	AS-03106-0010	GROUND STRAP
4	1	A-04402-SERIES	ASSEMBLY, FEATURE HOUSING BRACKET
3			
2	1	A-04447-SERIES	ASSEMBLY, FRAME FEATURE GLASS
1	1	A-04270-0018	ASSEMBLY, HINGE FEATURE GLASS FRAME
ITEM	QTY	PART NUMBER	DESCRIPTION

Game Make Slant Top JCM, DBV, CBA, SRA, IRA Bill Acceptor Parts



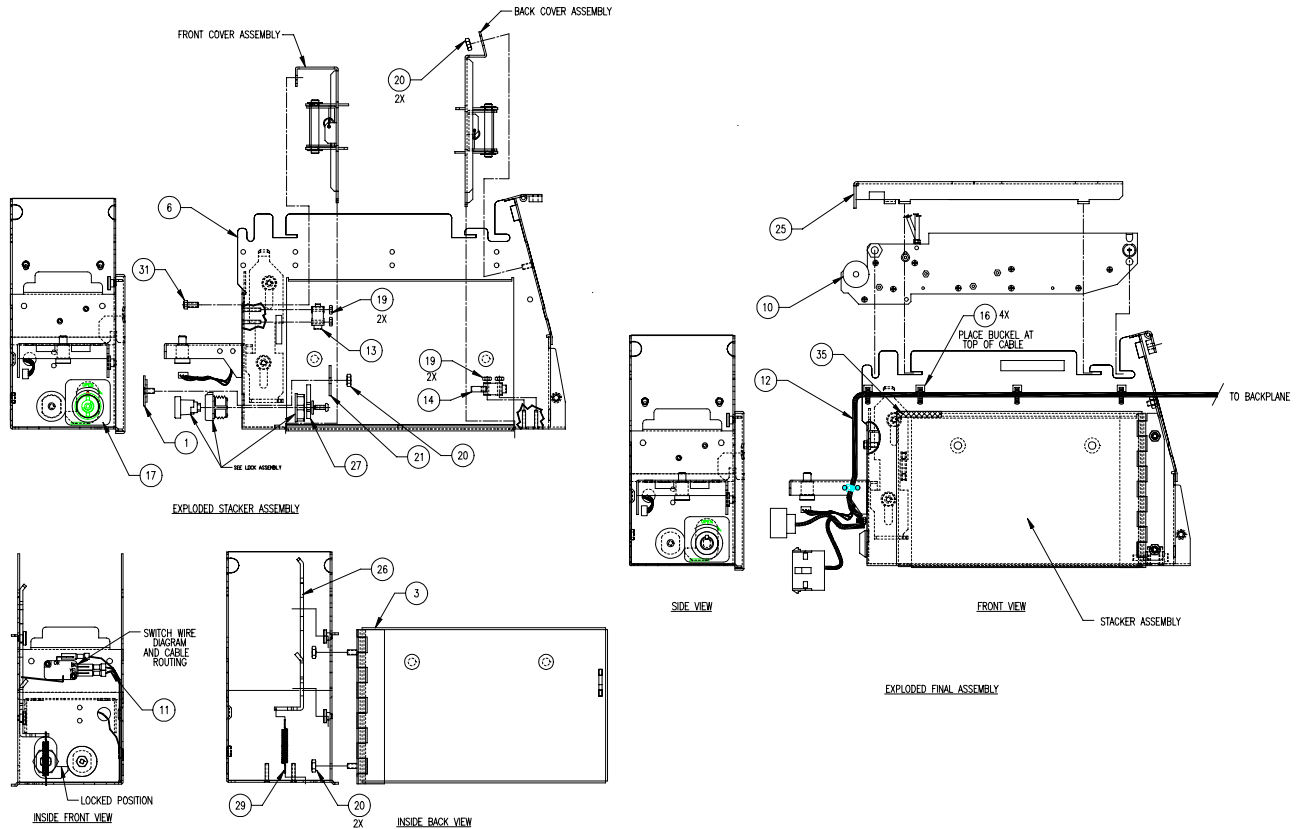
V7000 Slant Bill Acceptor		
Item	Part #	Description
1	P-09350-0030	Cover, Stacker, Locking
2	AS-04806-001A	Bill Stacker Assembly (DBV)
	AS-04806-0002	Bill Stacker Assembly (CBA, SRA, IBA)
3	E-00983-0028	Bill Acceptor (head), JCM DBV-145
	E-00983-0029	Bill Acceptor (head), JCM DBV-146
	E-00983-0039	Bill Acceptor (head), JCM CBA-135
	E-00983-0038	Bill Acceptor (head), JCM SRA-135
4	AS-04217-0112	Bill Box, Yellow (DBV)
	AS-04217-0113	Bill Box, Black (DBV)
	AS-04217-0114	Bill Box Yellow (CBA, SRA, IBA)
	AS-04217-0115	Bill Box Black (CBA, SRA, IBA)
5	AS-05029-0001	Retract Pulley Assembly
6	AS-05032-0002	Stacker Slide Assembly
Not Shown	AS-14804-0003	Bill Cover, 1 Lock (Extractor)
	AS-14804-0002	Bill Cover, 2 Lock (Extractor)
	D150-(series)	Bill Acceptor Decal Selection
	D150-00022-GRN+	Green Lighted Area

**Bill Acceptor
AS-04560-0800**



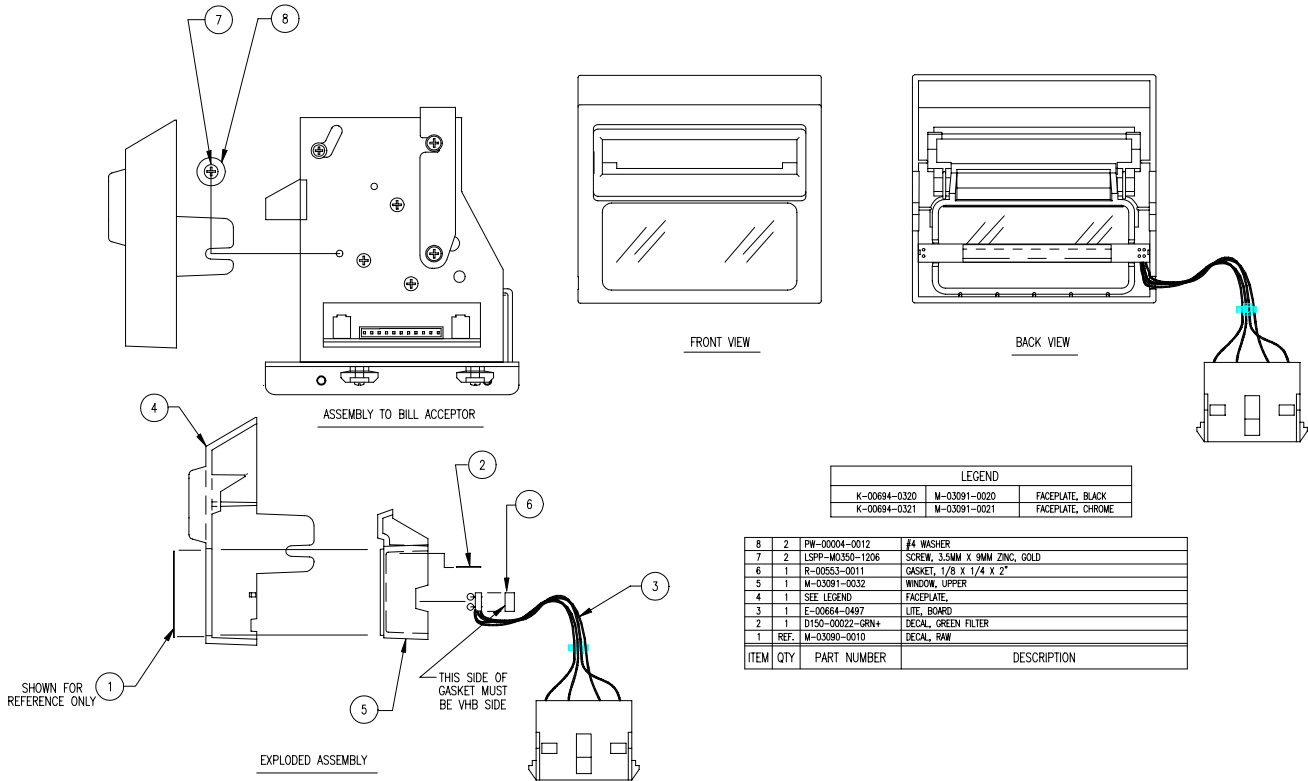
Bill Acceptor (cont.)

AS-04560-0800



40	1	HLPP-00600-1106	SCREW, #6 X 3/8, HI LOW THD FOR PLASTIC
39	1	M-01757-0017	LOCK, CYLINDER PLASTIC
38	1	M-01757-0016	NUT, LOCK PLASTIC
37	1	M-01757-0014	HOUSING, LOCK PLASTIC
36	1	M-01700-0006	WASHER, LOCK #6 EXT. TOOTH
35	1	R-00221-0032	GASKET, 3/16 X 1.5
34	.001	M-01777-5642	LOCTITE, 222 THREADLOCKER
33	1	S-00231-1018	SPACER
32	1	A-04619-0001	LATCH PEG
31	5	TFSS-00832-1104	SCREW, 8-32 X 1/4 THD FORM SERRATED HEX HD.
30	2	SP-00100-0406	SPRING EXTENSION
29	1	SP-00100-0121	SPRING EXTENSION, .280 X 1.047 LONG
28	2	S-00736-0019	SHAFT, BILL BOX LATCH
27	1	P-04644-0001	CAM, STACKER LOCK, FRONT
26	1	P-04642-0004	BAR, STACKER LOCK
25	1	P-04609-0004	COVER, STACKER
24	2	P-04601-0008	LATCH, BILL BOX
23	4	P-02891-0006	RETAINING RING, E-TYPE 1/4" SHAFT
22			
21	1	P-00801-0681	WASHER, .188 X 1.00 X .060THK
20	7	NLS-00832-1112	NUT, 8-32 KEPS
19	4	NLS-00440-1112	NUT, 4-40 KEPS
18			
17	1	LBL-00233-0001	LABEL, BILL ACCEPTOR, SINGLE LOCK
16	4	E-00647-0005	CABLE TIE, .140 X 8.00 LONG
15	3	E-00647-0004	CABLE TIE, 3/32W X 3 7/8 LONG
14	1	E-00108-0388	SWITCH, BILL BOX
13	1	E-00108-0387	SWITCH, BILL ACCEPTOR DOOR
12	1	CBL-30079-0001	CABLE, BILL VALIDATOR
11	1	CBL-20100-0001	CABLE, BILL ACCEPTOR DOOR
10	1	AS-04806-001A	ASSEMBLY, BILL STACKER
9	1	AS-04804-0003	ASSEMBLY, BILL COVER, 1 LOCK
8	1	AS-04217-0013	ASSEMBLY, 400 BILL BOX BLACK
7	1	AS-04217-0012	ASSEMBLY, 400 BILL BOX YELLOW
6	1	A-04618-0001	ASSEMBLY, BILL STACKER FRAME
5	1	A-04617-0002	ASSEMBLY, COVER, REAR BOX
4	1	A-04617-0001	ASSEMBLY, COVER, FRONT BOX
3	1	A-04616-0001	ASSEMBLY, BILL BOX DOOR
2			
1	1	A-04613-0001	ASSEMBLY, LOCK HOLE COVER
ITEM	QTY	PART NUMBER	DESCRIPTION

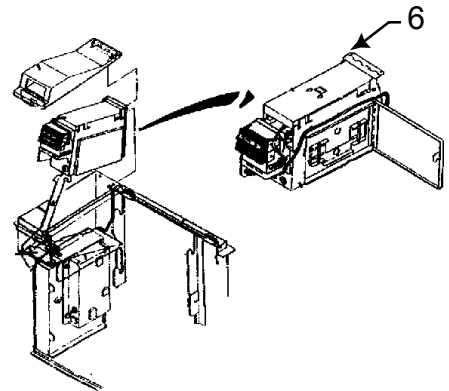
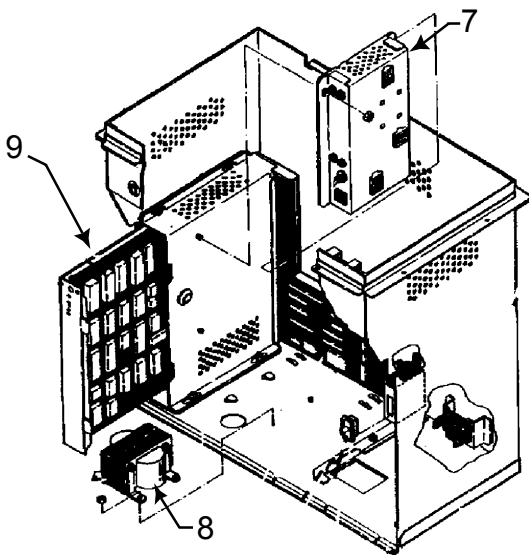
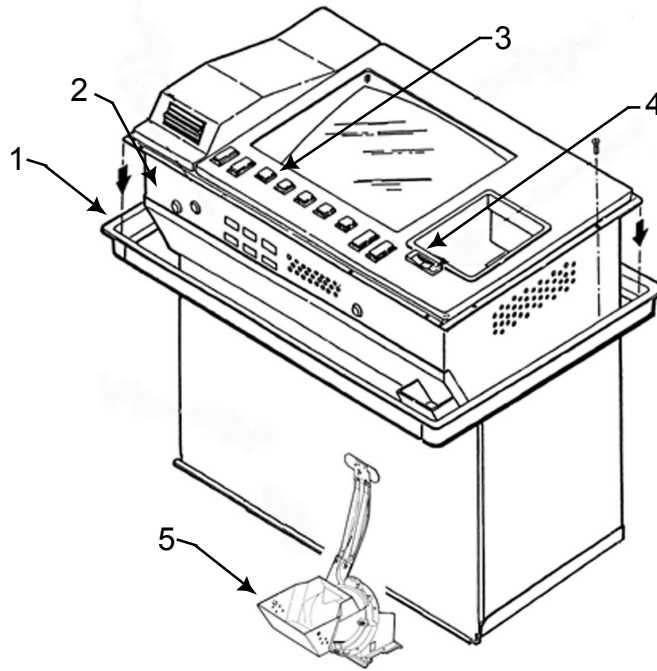
Lighted Face Plate



LEGEND		
K-00684-0320	M-03091-0020	FACEPLATE, BLACK
K-00684-0321	M-03091-0021	FACEPLATE, CHROME

ITEM	QTY	PART NUMBER	DESCRIPTION
8	2	PW-00004-0012	#4 WASHER
7	2	LSPP-M0350-1206	SCREW, 3.5MM X 9MM ZINC, GOLD
6	1	R-00563-0011	GASKET, 1/8 X 1/4 X 2"
5	1	M-03091-0032	WINDOW, UPPER
4	1	SEE LEGEND	FACEPLATE
3	1	E-00684-0497	LITE, BOARD
2	1	D150-00022-GRN+	DECAL, GREEN FILTER
1	REF.	M-03090-0010	DECAL, RAW

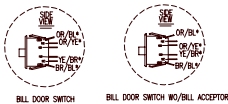
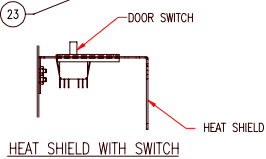
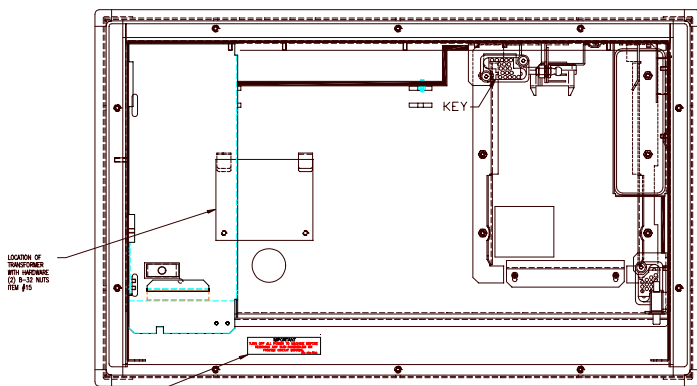
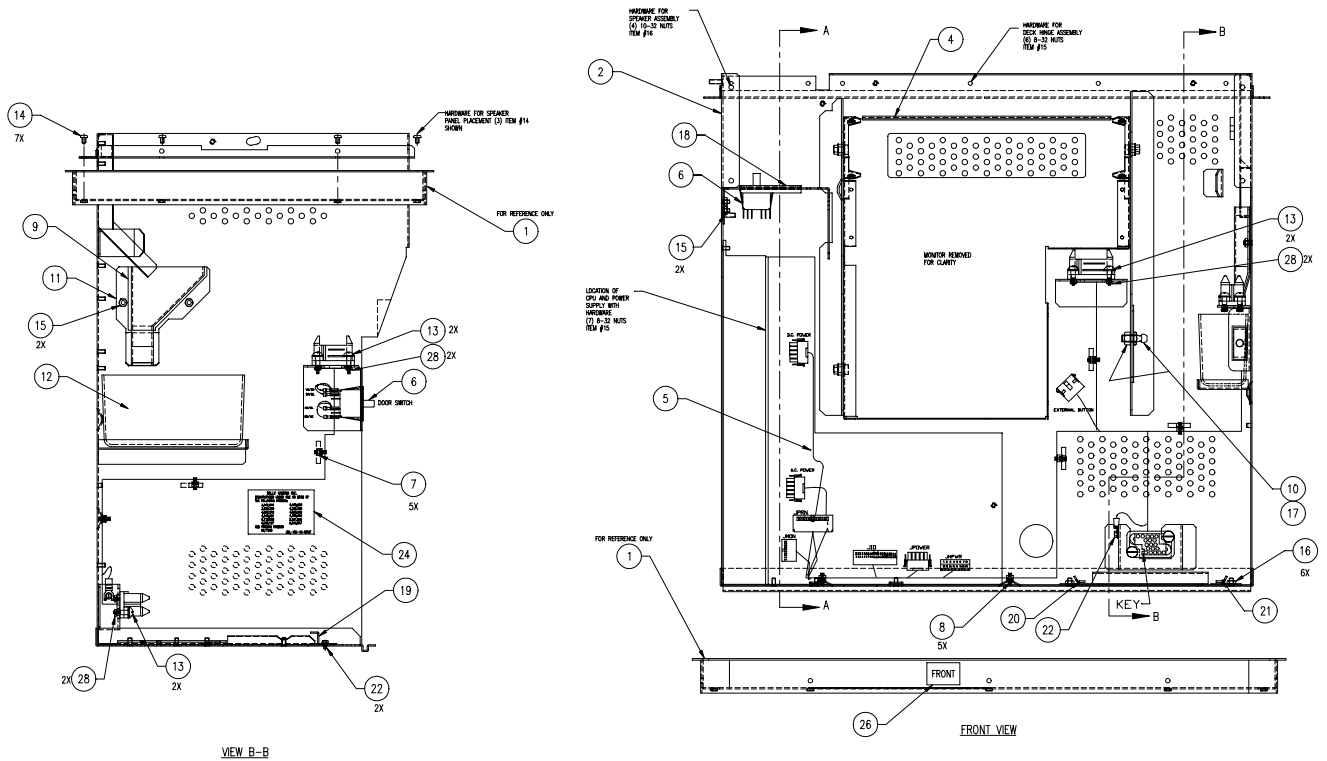
Game Maker® Bar Top Parts



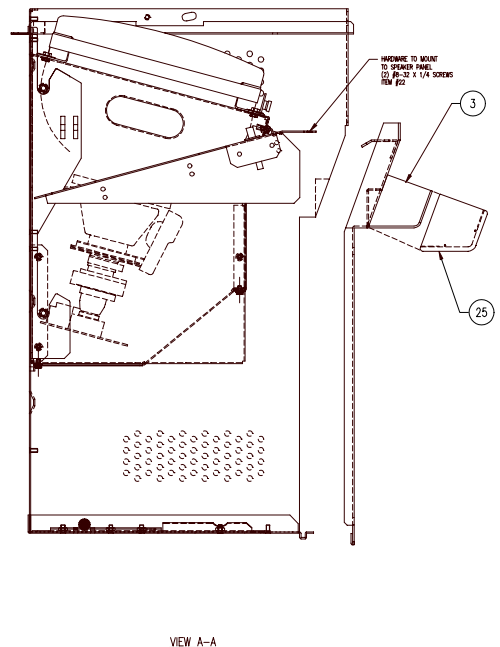


Game Maker® Bartop		
Item	Part #	Description
1	A-04605-0001	Deck Frame Assembly
2	AS-04602-0002	Assembly, Speaker Panel 1-Lock, 3-Meter With Bill Acceptor
3	AS-04611-(series)	Deck Assembly
4	01COMPARATOR-3	Acceptor and Coin Entry Feature
5	AS-03108-(series)	Asahi Seiko Hopper
6	AS-04560-(series)	Bill Acceptor
7	AS-04217-0112	Bill Box, Yellow (DBV)
	AS-04217-0113	Bill Box, Black (DBV)
	AS-04217-0114	Bill Box, Yellow (CBA, SRA, IBA)
	AS-04217-0115	Bill Box, Black (CBA, SRA, IBA)
8	E-00983-0028	Bill Acceptor (head), JCM DBV-145
	E-00983-0029	Bill Acceptor (head), JCM DBV-146
	E-00983-0038	Bill Acceptor (head), JCM SRA-135
	E-00983-0039	Bill Acceptor (head), JCM CBA-135
9	D150-00022-GRN+	Green Lighted Area
10	D300-00001-GMAK	GAME MAKER Decal
11	AS-04238-0041	Power Supply Assembly
12	E-00122-0223	Transformer, 120V 60 Hz.
	E-00122-0224	Transformer, 220V 50/60 Hz.
13	AS-04173-0122	MPU and Backplane Assembly
Not Shown	E-00126-0147 E-00126-0121	Line Cord, Modular, Nema Line Cord, Modular, 8' Domestic
	AS-14804-0003 AS-14804-0002	Bill Cover, 1 Lock (Extractor) Bill Cover, 2 Lock (Extractor)

Main Assembly with Monitor



LEGEND		
ASSEMBLY P/N	ITEM 4	ITEM 12
AS-04600-0001	AS-04299-0005	M-01777-5641
AS-04600-0003	AS-04299-0005	M-01777-5646
AS-04600-0004	N/R	M-01777-5646
AS-04600-0005	E-00832-0084	M-01777-5641
AS-04600-0006	E-00832-0084	M-01777-5646

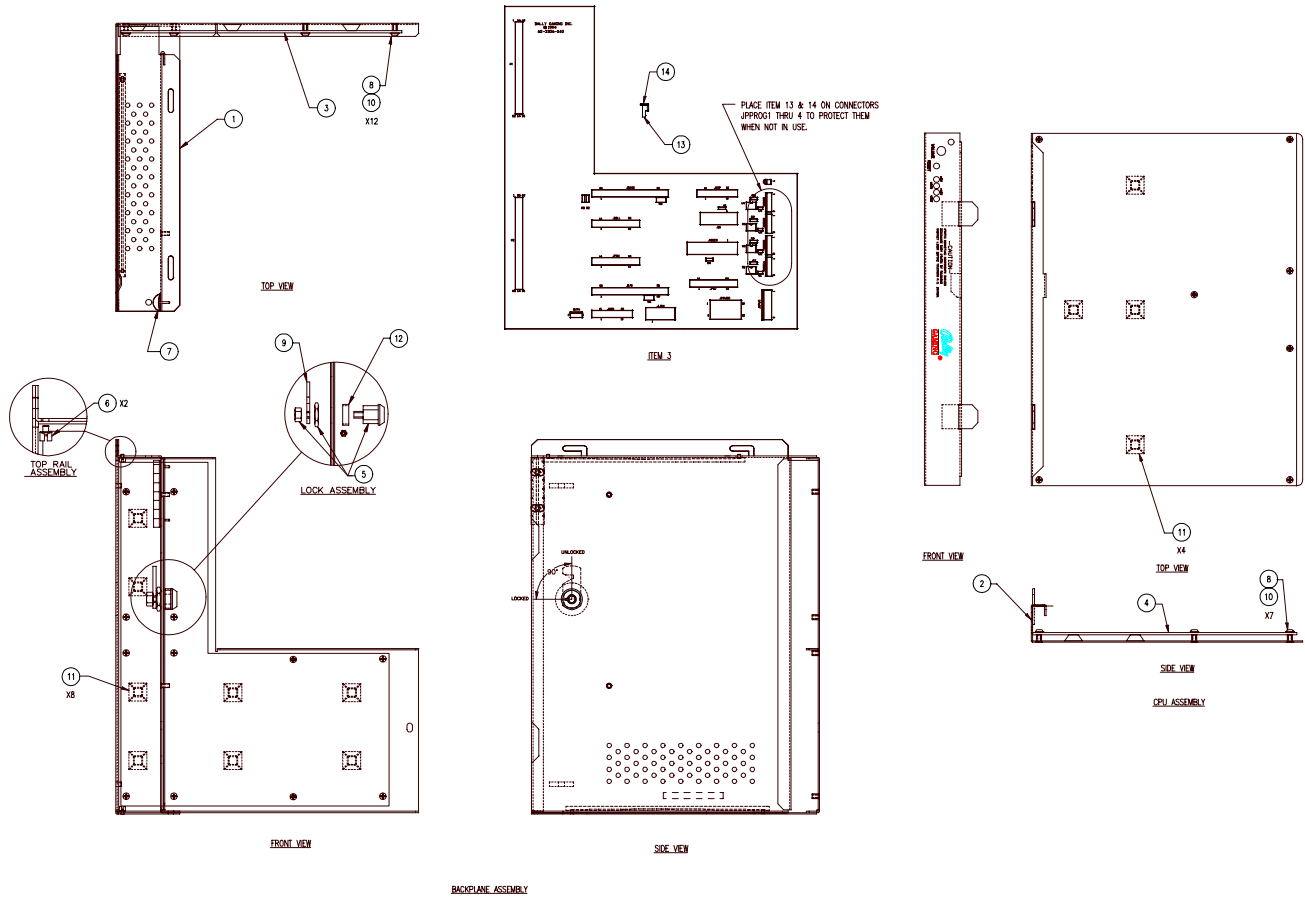




Main Assembly with Monitor (cont.)

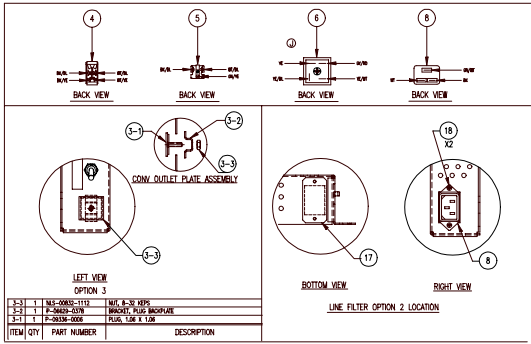
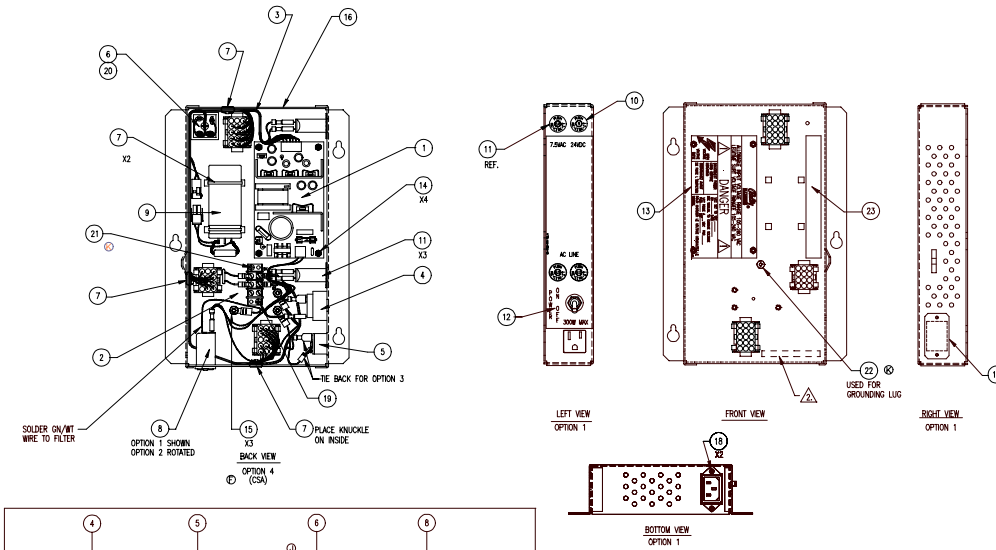
Bartop Main Assembly Parts		
Item	Part #	Description
1	A-04605-0001	Assembly, Deck Frame
2	A-04606-0001	Assembly, Housing, Main
3	A-04607-0001	Assembly, Door, Front
4	See Legend	Assembly, Monitor
5	CBL-30075-0001	Cable, Cabinet
6	E-00108-0385	Switch, Door Push
7	E-00647-0004	Cable Tie, .090W X 3.870L
8	E-00647-0005	Cable Tie, .140W X 8.000L
9	M-01755-0918	Caulk
10	M-01777-5437	Ball Stud
11	M-01777-5640	Gutter, Drain
12	See Legend	Cup, Drain
13	M-03063-001A	Screw, Shoulder Amp P/N 2082111
14	MSPP-00832-1104	Screw, 8-32 X 1/4 Machine Phillips Pan Head
15	NLS-00832-1112	Nut, 8-32 KEPS
16	NLS-01032-1112	Nut, 10-32 KEPS
17	NLS-31218-1112	Nut, 5/16 KEPS
18	P-09322-0220	Shield, Heat Switch Bracket
19	P-09319-0140	Bracket, Hopper Shipping
20	P-09319-0155	Guide, Hopper, Left
21	P-09319-0156	Guide, Hopper, Right
22	TFSS-00832-1104	Screw, 8-32 X 1/4 Thread forming Serrated Hex Head
23	LBL-00109-001A	Label, Power Off
24	LBL-00185-001C	Label, Game Patent
25	M-03108-0001	Cover, Reject Cup
26	LBL-00258-0001	Label, Front Marker
27	S-00231-1003	Spacer, Ring Lock
28	M-03064-001A	Nut, Hex.Metric, M4 X .7, Zinc

MPU and Backplane Assembly AS-04173-0122



MPU and Backplane Assembly		
Item	Part#	Description
1	A-04602-0001	Assembly, MPU Housing
2	A-04603-0001	Assembly, MPU Board Tray
3	AS-03356-0243	Assembly, Backplane Board
4	AS-03356-0308	Assembly, MPU Board
5	M-00281-162A	Lock, No Cam, Door/Bill Acceptor, .5" Long
6	M-02082-0001	Guide, Card, 8"
7	M-03001-0001	Strip, Grounding
8	MSPP-00632-1106	Screw, 6-32 X 3/8 Machine Pan Head
9	P-00758-0101	Cam, Lock, Feature Glass
10	P-00801-0673	Washer, .139ID X .310OD X .030T
11	R-00409	Bumper, Self Sticking
12	S-00231-1017	Spacer, MPU Lock
13	E-00737-0008	Connector, Insulation Displacement MTA-100, 22AWG 8-circuit
14	E-00775-0008	MTA-100 Insulation Displacement Connector Cover

**Bartop Power Supply
AS-04238-0041**

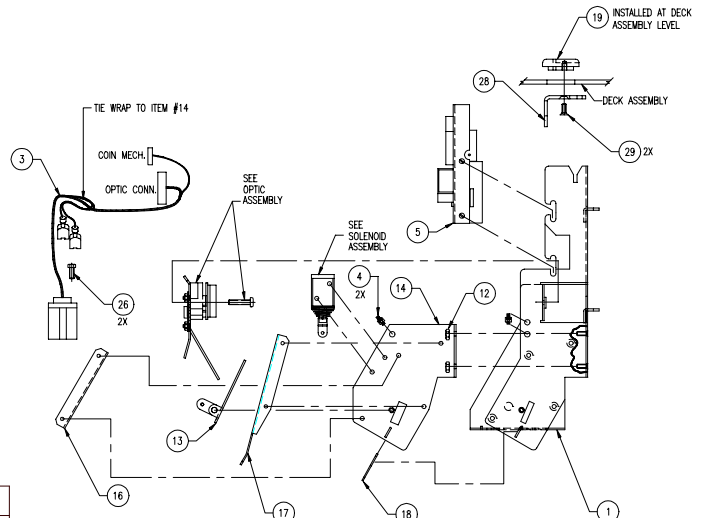
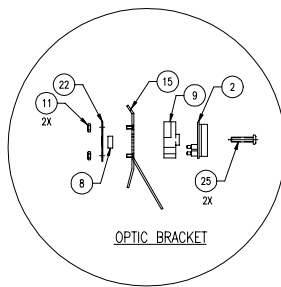
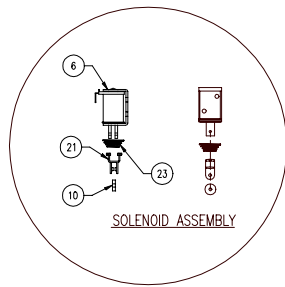
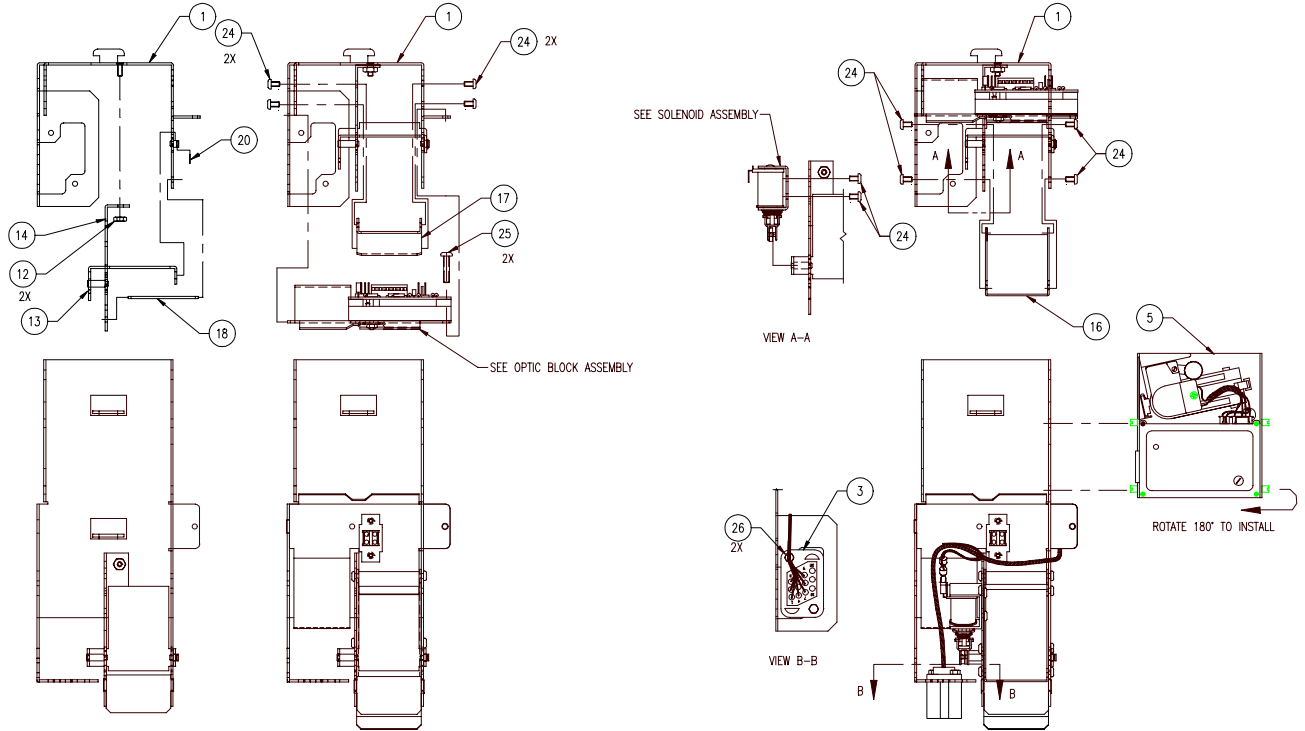


LEGEND

ASSEMBLY NUMBER	DESCRIPTION	OPTIONS	ITEM #1 POWER SUPPLY PCB	ITEM #3 CABLE HARNESS	ITEM #5 CONV. OUTLET	ITEM #23 LABEL
(1) AS-04238-0041	ASSY, POWER SUPPLY, DROP IN BARTOP	1	AS-02982-0028	GBL-30070-0001	E-00110-0013	LBL-00246-0001
(2) AS-04238-0042	ASSY, POWER SUPPLY, AUSTRALIA	2 & 3	AS-02982-0028	GBL-30070-0001	NOT REQUIRED	LBL-00246-0003
(3) AS-04238-0043	ASSY, POWER SUPPLY, CSA BARTOP	1 & 4	AS-02982-0030	GBL-30127-0001	E-00110-0013	LBL-00246-0002
(4) AS-04238-0044	ASSY, POWER SUPPLY, V7S	2	AS-02982-0028	GBL-30070-0001	E-00110-0013	LBL-00246-0001
(5) AS-04238-0045	ASSY, POWER SUPPLY, V7S, CSA	2 & 4	AS-02982-0030	GBL-30070-0001	E-00110-0013	LBL-00246-0002

Power Supply			
Drawing Reference	Item	part #	Description
F E D	1	See Legend	Assembly, Power Supply, 3 Output, 40w
D	2	AS-03025-0067	Assembly, Mov/Term.Strip
F D	3	See Legend	Cable, Power Supply
	4	E-00108-0365	Switch, Toggle, DPST 0.25 Tabs
R	5	E-00110-0013	Convenience Outlet, 125V 15A
	6	E-00602-0016	Rectifier, Bridge, 50V 15A
	7	E-00647-0005	Cable Tie, .140W X 8.000L
	8	E-00654-0011	Line Filter
	9	E-00664-0412	Assembly, Capacitor With Connector
	10	E-00948-0016	Circuit Breaker, 5.0A
	11	E-00948-0019	Circuit Breaker, 2.5A
B	12	LBL-00235-0001	Label, Fuse/On-Off, Outlet,
	13	LBL-00183-0003	Label, Power Supply 105/260v, Eng/Fr.
M	14	LSPP-00632-1108	Screw, 6-32 X 1/2 Machine With Lock Washer Philips Round Head
H G	15	NLS-00832-1112	Nut 8-32 KEPS
P H	16	P-04600-0001	Housing, Power Supply
	17	P-04612-0001	Plate, Power Plug
	18	TFPP-00440-1106	Screw, 4-40 X 3/8 Thread Forming Philips Pan Head
K	19	TFPP-00632-1106	Screw, 6-32 X 3/8 Thread Forming Philips Pan Head
	20	TFPP-00832-1110	Screw, 8-32 X 5/8 Thread Forming Philips Pan Head
K	21	TFPP-00632-1110	Screw, 6-32 X 5/8 Thread Forming Philips Pan Head
K	22	NLS-00632-1112	Nut, 6-32 KEPS
N	23	See Legend	Label, Power Supply ID

Bartop Acceptor and Coin Entry



EXPLODED SIDE ASSEMBLY
SHOWN FOR REFERENCE ONLY
ITEM #24 SCREWS REMOVED FOR CLARITY

LEGEND

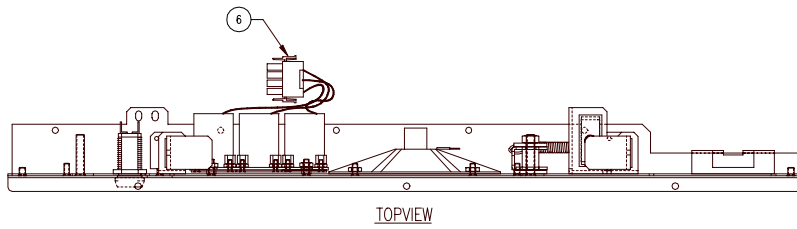
ASSEMBLY NUMBER	DESCRIPTION	ITEM #5 COIN COMP.	ITEM #9 BLOCK, OPT. BD. MTG.	ITEM #19 COIN HEAD CHR.
K-00674-0188	ASSEMBLY COIN COMP/HOUSING 25c	E-00887-0201	M-01755-0949	P-04614-1001
K-00674-0189	ASSEMBLY COIN COMP/HOUSING \$1.	E-00887-0203	M-01755-0951	P-04614-1002



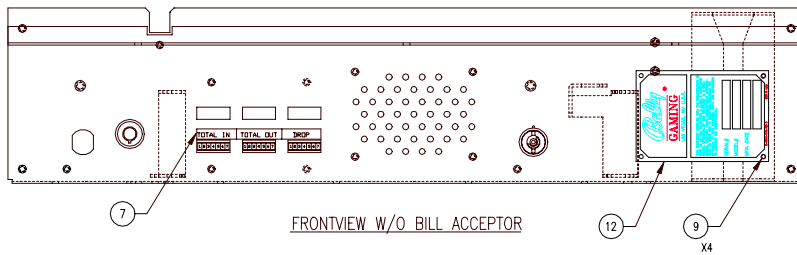
Bartop Acceptor and Coin Entry (cont.)

Bartop Acceptor and Coin Entry		
Item	Part #	Description
1	A-04609-0001	Assembly, Coin Comp.Bracket
2	AS-03356-0303	Assembly, Coin Optic Decoder 2
3	E-00537-7747	Cable, Coin I/O
4	E-00647-0004	Cable Tie, .090w X 3.870L
5	See Legend	Coin Mechanism RFI CC-16
6	E-00947-0018	Coil, Diverter
8	M-01755-0942	Prism, Coin Optic
9	See Legend	Block, Optic Board Mounting
10	S-00231-1031	Spacer, Plastic Diverter Link
11	NLS-00440-1112	Nut, 4-40 KEPS
12	NLS-00632-1112	Nut, 6-32 KEPS
13	P-04605-0002	Diverter
14	P-04607-0001	Plate, Diverter Side
15	P-04608-0001	Bracket, Opto Mounting
16	P-04611-0001	Plate, Upper Coin
17	P-04611-0002	Plate, Lower Coin
18	P-04611-0003	Plate, Center Coin
19	P-04614-1001	Coin Head, Chrome 25¢, 1.034,
20	P-06316-0004	Retaining Ring, .188 shaft x .025T
21	M-03104-0001	Link, Plastic, Coin Diverter
22	P-09322-0196	Bracket, Prism Mounting
23	SP-00200-0246	Spring, Compression
24	TFPP-00632-1103	Screw, 6-32 X 3/16 Thread Forming Phillips Pan Head
25	TFPP-00832-1114	Screw, 6-32 X 1 1/8 Thread Forming Phillips Pan Head
26	TFSS-00832-1106	Screw, 8-32 X 3/8 Thread Forming Serrated Hex Head
27	E-01091-0004	E-00620-0670 PIC16C54
28	P-04602-0001	Plate, Coin Head Mounting
29	MSPF-00832-1106	Screw, 8-32 X 3/8 Phillips Flat Head

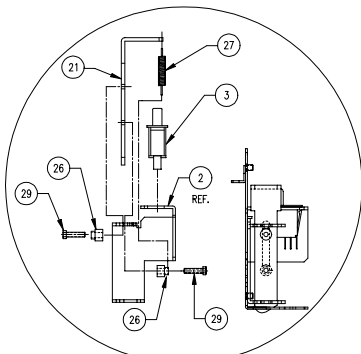
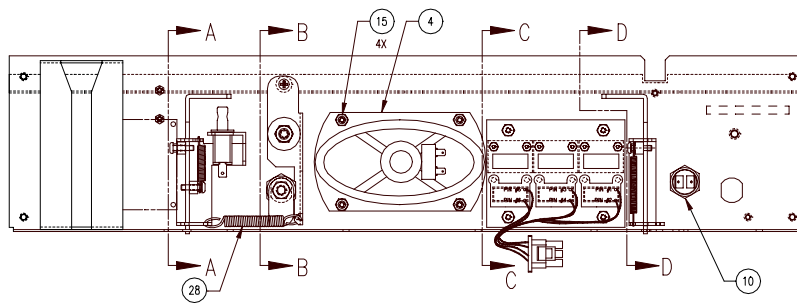
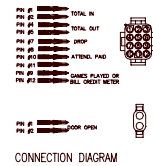
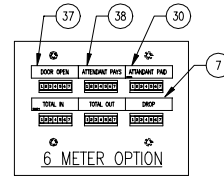
Speaker Panel AS-04602-0002



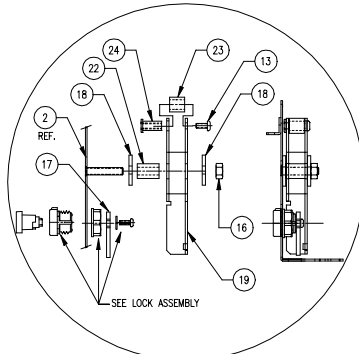
TOPVIEW



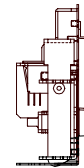
FRONTVIEW W/O BILL ACCEPTOR



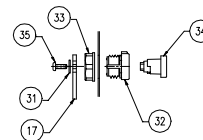
VIEW A-A



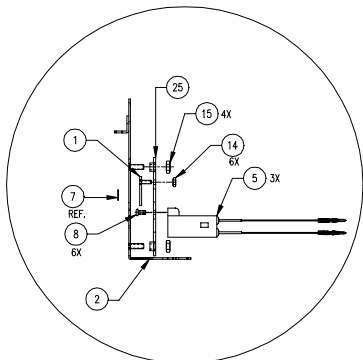
VIEW B-B



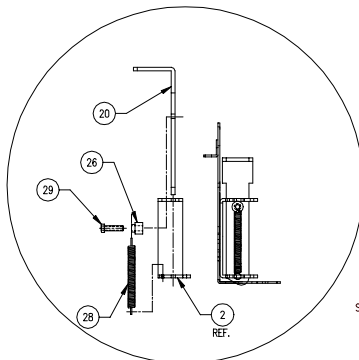
SIDEVIEW



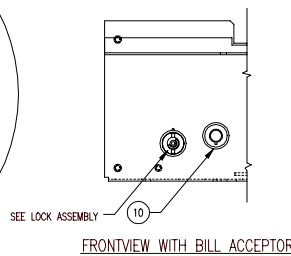
LOCK ASSEMBLY



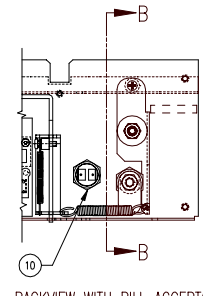
VIEW C-C



VIEW D-D



FRONTVIEW WITH BILL ACCEPTOR

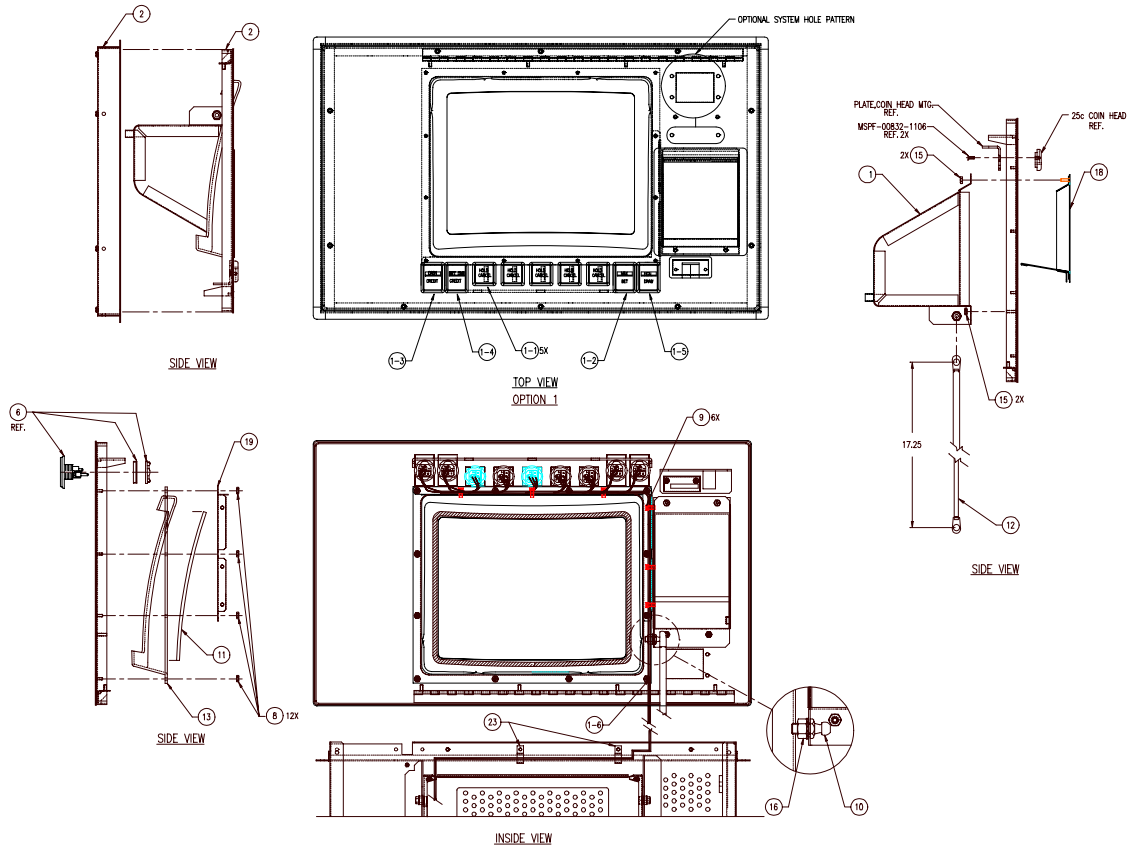


BACKVIEW WITH BILL ACCEPTOR

Speaker Panel (cont.)
AS-04602-0002

Speaker Panel, 1-Lock 3-Meter With Bill Acceptor , AS-04602-0002		
Item	Part #	Description
1	A-04600-0001	Assembly, Meter Guard
2	A-04612-0001	Assembly, Speaker Panel, 1-Lock
3	E-00108-0385	Switch, Door Push
4	E-00281-0019	Speaker, 3x5 Oval Quam
5	E-00664-0491	Assembly, 7-Digit Meter With 8" Long 20AWG Lead
6	E-00808-0012	Connector, Housing Plug, #1-480708-0
7	LBL-0227-0001	Label, Meter, Total-In Total-Out Drop
8	LSPM-M0350-1104	Screw, 3mm X 6mm Machine with lock washer, Phillips Panhead
9	M-00180-179A	Rivit, Pop Domed Head 1/9 X .232
10	M-00281-158C	Lock, Barrel Type, With Internal Switch
12	M-00819-0102	Plate, Identification
13	MSPP-01024-1112	Screw, 10-24 X 3/4 Machine Pan Head
14	NLS-00440-1112	Nut, 4-40 KEPS
15	NLS-00832-1112	Nut, 8-32 KEPS
16	NLS-25020-1112	Nut, 1/4 Star
17	P-00758-0115	Cam, No Lock, 1-1/8 Dual Main Door Lock
18	P-04601-0001	Latch, Spacer
19	P-04601-0002	Latch, Deck
20	P-04601-0003	Latch, Door, Left
21	P-04601-0004	Latch, Door, Right
22	P-04601-0005	Latch, Pivot
23	P-04601-0006	Latch, Roller
24	P-04601-0007	Latch, Roller Pin
25	P-04612-0002	Bracket, Meter Mounting
26	P-04615-0002	Peg, Latch Spring
27	SP-00100-0021	Spring, Extension
28	SP-00100-0406	Spring, Extension
29	TFSC-00832-1110	Screw, 8-32 X 5/8 Thread Form with HD
30	LBL-00180-0004	Label, Attendant Paid
31	M-01700-0006	Washer, Lock #6 External Tooth
36	LBL-00180-0011	Label, Bill Credit Meter
37	LBL-00217-0001	Label, Door Open
38	LBL-00219-0001	Label, Attendant Pays
39	E-00808-0002	Connector, Housing Plug

Deck Assembly

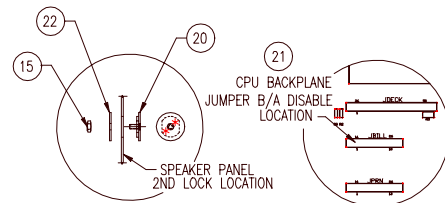


ITEM	QTY	PART NUMBER	PART NUMBER	DESCRIPTION
1-6	1	CBL-30048-0001	CBL-30048-0001	CABLE, DECK BUTTON.
1-5	1	AS-04739-0026	AS-04739-0035	SWITCH, (HAPP) RECT. BLK. DEAL DRAW
1-4	1	AS-04739-0025	AS-04739-0034	SWITCH, (HAPP) RECT. BLK. PLAY 1 CREDIT/ OR BET ONE
1-3	1	AS-04739-0024	AS-04739-0033	SWITCH, (HAPP) RECT. BLK. CASH/CREDIT
1-2	1	AS-04739-0003	AS-04739-0032	SWITCH, (HAPP) RECT. BLK. BET MAX
1-1	5	AS-04739-0002	AS-04739-0082	SWITCH, (HAPP) SQ BLK. HOLD/CANCEL

OPTION 1 OPTION 3
 Ⓔ Ⓕ

LEGEND

ASSEMBLY NUMBER	DESCRIPTION	BUTTON OPTION	ITEM #3 ASSY, DECK
AS-04611-00B6	ASSY, DECK,***/**,BSS	1	A-04633-00B6
AS-04611-00P4	ASSY, DECK,***/**,PGLD	1	A-04633-00P4
AS-04611-0005	ASSY, DECK,***/**,VEIN	1	A-04633-0005
AS-04611-10B6	ASSY, DECK,***/**,SYS,BSS	1	A-04633-10B6
AS-04611-10P4	ASSY, DECK,***/**,SYS,PGLD	1	A-04633-10P4
AS-04611-10P6	ASSY, DECK,***/**,SYS,PSS	1	A-04633-10P6
AS-04611-1005	ASSY, DECK,***/**,SYS,VEIN	1	A-04633-1005
AS-04611-20B6	ASSY, DECK,***/**,BSS, 1 BTN	2	A-04633-20B6
AS-04611-20P4	ASSY, DECK,***/**,PGLD, 1 BTN	2	A-04633-20P4
AS-04611-2005	ASSY, DECK,***/**,VEIN, 1 BTN	2	A-04633-2005
AS-04611-40B2	ASSY, DECK,***/**,SYS,BBR, SPAIN	3	A-04633-10B2
AS-04611-4006	ASSY, DECK,***/**,SYS,GLD, SPAIN	3	A-04633-1006



NON-BILL ACCEPTOR OPTIONS

ITEM	QTY	PART NUMBER	DESCRIPTION
2-2	1	CBL-30157-0001	CABLE, DECK BUTTON.
2-1	1	AS-04739-0026	SWITCH, (HAPP) RECT. BLK. DEAL DRAW

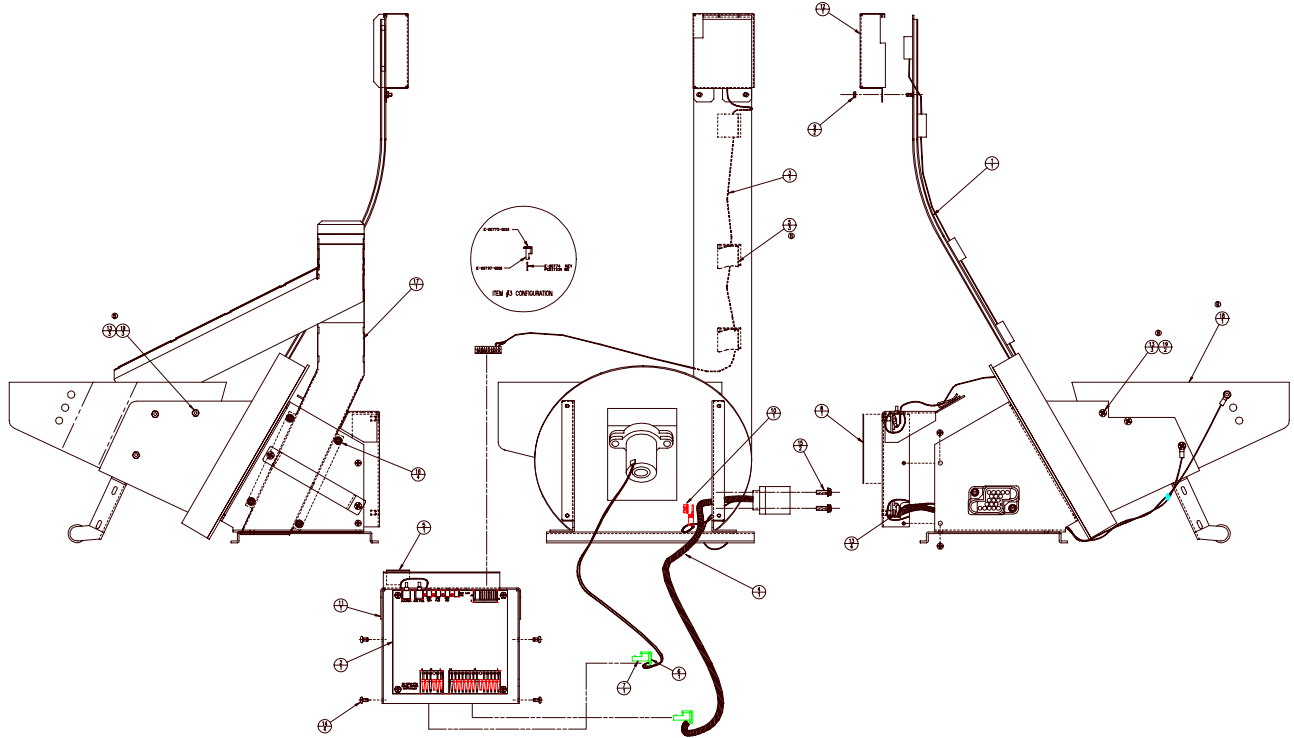
OPTION 2 Ⓖ



Deck Assembly (cont.)

Deck Assembly		
Item	Part #	Description
1	A-04608-0001	Assembly, Coin Bucket V7K Bar
2		See Drawing Legend
3		
4		
5		
6		
7		
8		
9	E-00647-0005	Cable Tie, .140W X 8.000L
10	M-01777-5437	Ball Stud
11	M-01777-5651	Gasket, Bezel, Touch Screen, Adhesive 1side
12	M-01777-5638	Gas Spring, Deck 36.7lb, V7K Bar
13	M-03109-0002	Bezel, Monitor, Touch Screen, Bar
15	NLS-00832-1112	Nut 8-32 KEPS
16	NLS-31218-1112	Nut, Self-Locking 5/16-18
18	P-04603-0003	Bezel, Bucket
19	P-09319-0340	Bracket, Deck Wire, Touch Screen
20	A-04613-0001	Assembly, Lock Hole Cover
21	E-00664-0500	Assembly, Jumper, Bill Acceptor Disable
22	P-00801-0681	Washer, .188 x 1.00 x .060 Thick
23	C-00271-0007	Clip, 7/16D X 3/8W, 11/64 hole

Bartop Asahi Seiko Hopper



Coin	Dimension		Denomination Decal	Coin Head, Chrome	Optic Board Mounting Block	Coin Acceptor	Tower Lens	Tower Color	Seiko Hopper
	Diameter	Thickness							
Nickel	0.825" (20.96 mm)	0.078" (1.98 mm)	D100-.05++-BERM	P-04614-1007	M-01755-0952	E-00887-0201	M-02100-0202	Red	AS-03108-0008
Token .25	0.865" (21.97 mm)	0.067" (1.70 mm)	D100-TOK25-BERM	P-04614-1001	M-01755-0949	E-00887-0201	M-02100-0204	Yellow	AS-03108-0016
Quarter	0.955" (24.26 mm)	0.067" (1.70 mm)	D100-.25++-BERM	P-04614-1001	M-01755-0949	E-00887-0201	M-02100-0204	Yellow	AS-03108-0001
Half	1.205" (30.61 mm)	0.086" (2.18 mm)	D100-50C++-BERM	P-04614-1005	M-01755-0950	E-00887-0205	M-02100-0206	Coral	AS-03108-0009
Dollar	1.500" (38.10 mm)	0.100" (2.54 mm)	D100-\$1+++BERM	P-04614-1002	M-01755-0951	E-00887-0203	M-02100-0203	Blue	AS-03108-0002

PART NO. LEGEND							
BALLY PART NO.	ASAHI SEIKO PART NO.	DENOMINATION	METRIC CONV.	COIN SIZE	ITEM 1	ITEM 12	
AS-03108-0001	DH7514M025000	U.S. 25C	24.3mm X 1.7mm	.957D X .067	AS-03107-0001	P-04610-0001	
AS-03108-0002	DH7514M10T000	U.S. \$1 TOKEN	37.2mm X 2.5mm	1.465D X .098	AS-03107-0002	P-04610-0002	
AS-03108-0003	DH7514M2BF000	BELGIUM 20F	25.7mm X 2.4mm	1.012D X .094	AS-03107-0003	P-04610-0001	
AS-03108-0004	DH7514MA10000	AUSTRIA 10SH	25.9mm X 1.6mm	1.020D X .062	AS-03107-0004	P-04610-0001	
AS-03108-0005	DH7514MC25000	CANADA 25C	23.7mm X 1.6mm	.933D X .063	AS-03107-0005	P-04610-0001	
AS-03108-0006	DH7514M050000	US 50c	30.6mm X 2.1mm	1.205D X .083	AS-03107-0006	P-04610-0001	
AS-03108-0007	REPLACED BY AS-03108-0001 & FO-00484-7822						
AS-03108-0008	DH7514M005000	US 5c	21.2mm X 1.9mm	.835D X .075	AS-03107-0008	P-04610-0001	
AS-03108-0009	DH7514M05T000	US 50c TOKEN	31.6mm X 2.0mm	1.244D X .079	AS-03107-0009	P-04610-0001	
AS-03108-0010	DH7514M5SD000	SING 50c	24.7mm X 2.1mm	.972D X .083	AS-03107-0010	P-04610-0001	
AS-03108-0011	DH7514M1DM000	1 DM	23.5mm X 1.8mm	.925D X .071	AS-03107-0011	P-04610-0001	
AS-03108-0012	DH7514MLT2000	LAT .20	21.5mm X 1.5mm	.845D X .058	AS-03107-0012	P-04610-0001	
AS-03108-0013	DH7514MF1M000	FIM 1	22.3mm X 2.0mm	.878D X .078	AS-03107-0013	P-04610-0001	
AS-03108-0014	DH7514M1CW000	\$ CANADA	34.1mm X 2.6mm	1.342D X .104	AS-03107-0014	P-04610-0002	
AS-03108-0015	DH7514MEDC000	EDC	25.5mm X 1.6mm	1.004D X .063	AS-03107-0015	P-04610-0001	
AS-03108-0016	DH7514M1AS000	10c TOKEN CASINO DEL LITORAL	22.0mm X 1.7mm	.865D X .067	AS-03107-0016	P-04610-0001	
AS-03108-0017	DH7514MED1000	TBD	26.3mm X 1.8mm	1.110D X .070	AS-03107-0017	P-04610-0001	
AS-03108-0018	DH7514M4RC000	10 KC CZECH COIN	24.5mm X 2.7mm	.963D X .105	AS-03107-0018	P-04610-0001	

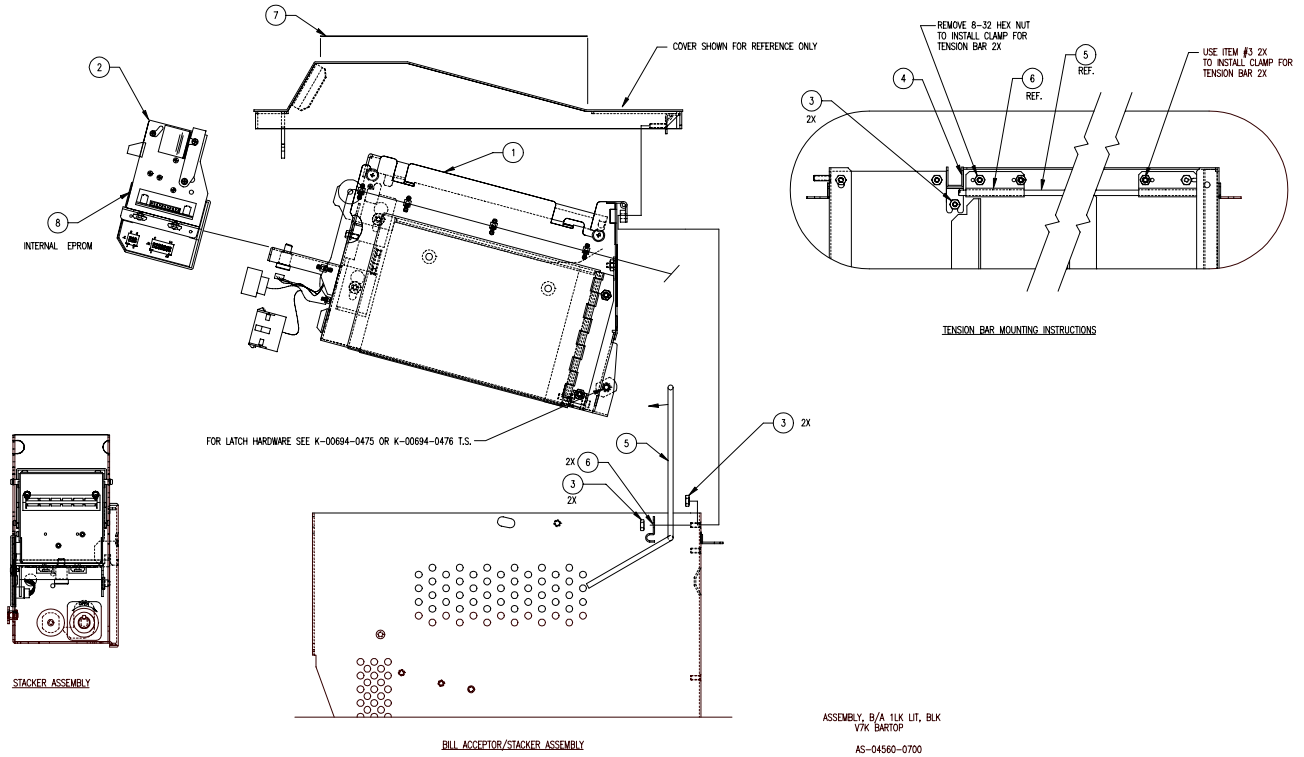


Bartop Asahi Seiko Hopper (cont.)

Asahi Seiko Hopper		
Item	Part #	Description
1	See Legend	Hopper, Asahi Seiko
2	AS-03356-0368	Assembly, Hopper Control Board, Dual Optic
3	E-00537-7766	Cable, Coin Switch, Hopper, Seiko
4	CBL-30019-0001	Cable, Seiko Hopper S/V55 Slnt
5	E-00718	Cable Holder, Flat
6	E-00749-0006	Mta-156 Insulation Displacement Standard Cover 0.936
7	E-00761-0006	Mta-156 Insulation Displacement Connector 22AWG
8	LBL-00178-0003	Label, Hopper Instructions
9	M-03064-0002	Nut, Keps, Metric M3 X .5 Zinc
10	NLS-00832-1112	Nut, 8-32
11	P-09319-0361	Bracket, Controller Board Mounting Bar
12	See Legend	Cover, Hopper Coin Switch
13	LSPP-M0470-1106	Screw, M4 x 10mm Machine with Lock Washer Philips Pan Head
14	LSPP-M0470-1104	Screw, M4 X 6mm Machine with Lock Washer Philips Pan Head
15	TFSS-00832-1108	Screw, 8-32 X ½ Thread Forming Serrated Hex Head
16	TFSS-00832-1104	Screw, 8-32 X 1/4 Thread Forming Serrated Hex Head
17	A-04611-0001	Assembly, Hopper Drop Chute
18	M-03048-0014	Bowl, Hopper Coin
19	M-03064-001A	Nut, Hex Metric, M4 X .7, Zinc

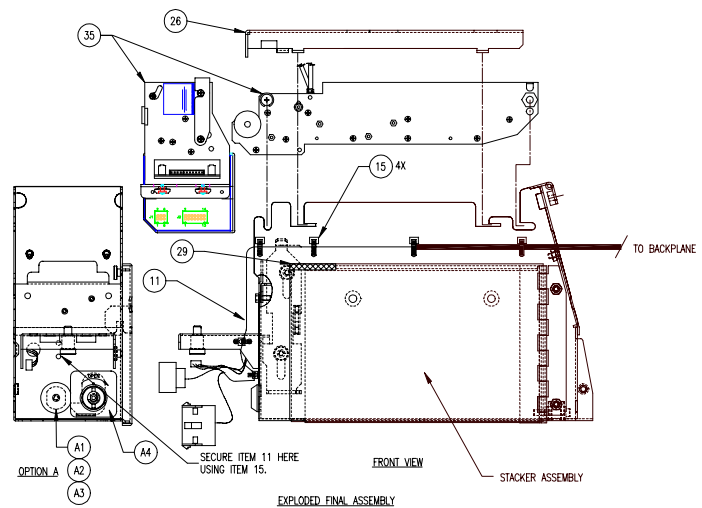
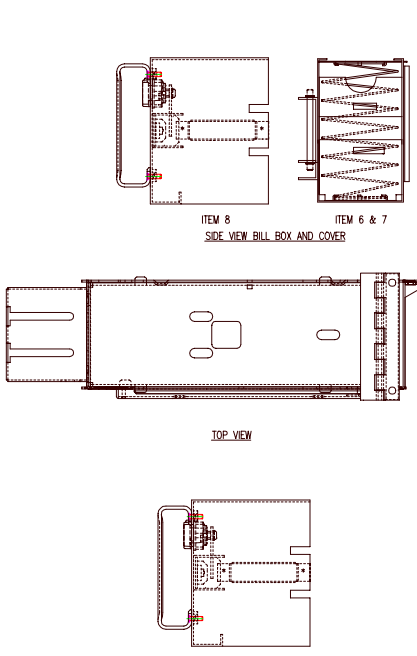
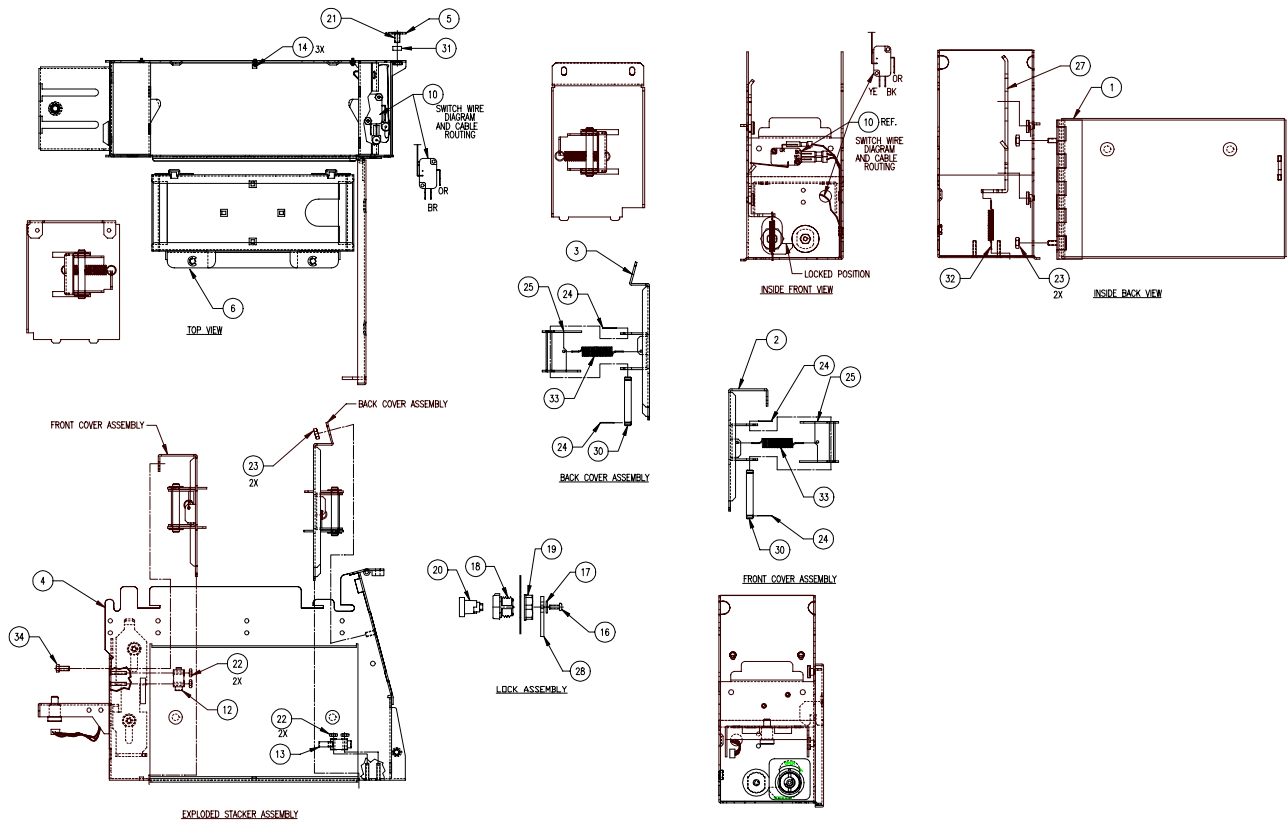


Game Maker® Bar Top Bill Acceptor



Bartop Bill Acceptor		
Item	Part #	Description
1	AS-34560-0069	Assembly, 400 Bill Acceptor , 1-Lock Cover
2	K-00694-0340	Kit, Bill Acceptor Face Plate Lighted Black
3	NLS-00832-1112	Nut, 8-32 KEPS
4	P-04641-0002	Rail, Drain
5	P-04642-0003	Bar, Bill Acceptor Torsion
6	P-04650-0001	Clamp, Torsion Bar
7	D300-00001-GMAK	Decal, Game Maker, Bill Acceptor

Game Maker® Bar Top Bill Acceptor (cont.)



LEGEND				
ASSEMBLY P/N	DESCRIPTION	ITEM 8 (B)	ITEM 8 (C)	OPTION
AS-34560-0036	ASSY, BILL ACCEPTOR 1LK	AS-14804-0003	K-00723-0044	A
AS-34560-0056	ASSY, BILL ACCEPTOR 2LK	AS-14804-0002	K-00723-0044	B
AS-34560-0069	ASSY, BILL ACCEPTOR 1LK BARCODE	AS-14804-0003	K-00723-0045	A
AS-34560-0070	ASSY, BILL ACCEPTOR 2LK BARCODE	AS-14804-0002	K-00723-0045	B

ITEM	QTY	PART NUMBER	DESCRIPTION
B2	1	LR-0033-0001	LABEL, BILL ACCEPTOR, DUAL LOCK
B1	1	P-04644-0002	CM, STACKER LOCK, REAR

OPTION B DUAL LOCK			
ITEM	QTY	PART NUMBER	DESCRIPTION
A4	1	LR-0033-0001	LABEL, BILL ACCEPTOR, SINGLE LOCK
A3	1	P-09801-0681	WASHER, .188 X 1.00 X .0607PK
A2	1	NLS-00832-1112	NUT, 6-32 KEPS
A1	1	A-04613-0001	ASSEMBLY, LOCK HOLE COVER

OPTION A SINGLE LOCK			
ITEM	QTY	PART NUMBER	DESCRIPTION

ASSEMBLY, STACKER 1 & 2 LK CVR.
V7K BARTOP



Game Maker® Bar Top Bill Acceptor (cont.)

400 Bill Acceptor Assembly		
Item	Part #	Description
1	A-04616-0001	Assembly, Bill Box Door
2	A-04617-0001	Assembly, Cover, Front Box
3	A-04617-0002	Assembly, Cover, Rear Box
4	A-04618-0001	Assembly, Bill Stacker Frame
5	A-04619-0001	Assembly, Latch Peg
6	AS-04217-0112	Assembly, Bill Box, Yellow
7	AS-04217-0113	Assembly, Bill Box, Black
8	See Legend	Assembly, Bill Cover
10	CBL-20100-0001	Cable, Bill Acceptor Door
11	CBL-30079-0001	Cable, Bill Validator
12	E-00108-0387	Switch, Bill Acceptor Door
13	E-00108-0388	Switch, Bill Box
14	E-00647-0004	Cable Tie, .090W X 3.870L
15	E-00647-0005	Cable Tie, .140W X 8.000L
16	HLPP-00600-1106	Screw, #6 X 3/8, Hi Low Thread for Plastic
17	M-01700-0006	Lock Washer, #6 External Tooth
18	M-01757-0014	Housing, Lock, Plastic
19	M-01757-0016	Nut, Lock Housing, Plastic
20	M-01757-0017	Cylinder, Lock, Plastic
21	M-01777-5642	Loctite, Threadlocker 222
22	NLS-00440-1112	Nut, 4-40 KEPS
23	NLS-00832-1112	Nut, 8-32 KEPS
24	P-02891-0006	Retaining Ring, E-Type .281 Shaft X .025
25	P-04601-0008	Latch, Bill Box
26	P-04609-0004	Cover, Stacker
27	P-04642-0004	Bar, Stacker Lock
28	P-04644-0001	Cam, Stacker Lock, Front
29	R-00221-0032	Rubber Strip, 3/15 X 1.5
30	S-00736-0019	Shaft, Bill Box Latch
31	S-00231-1018	Spacer, Latch Peg
32	SP-00100-0121	Spring, Extension, .280 x 1.047L
33	SP-00100-0406	Spring, Extension
34	TFSS-00832-1104	Screw, 8-32 X ¼ Thread Forming Serrated Hex Head
35	See Legend	Kit, Stacker

Part Number Structure

Parts used in Bally Gaming, Inc., equipment are identified by a stamped part number, or part numbers physically attached to the item. The numbers are usually 15 characters including the dashes in the pattern:

1 2 3 4 – 1 2 3 4 5 – 1 2 3 4.

The following part number prefixes serve to classify

Prefix	Description
A	Parts assembled by staking, riveting, or welding
AS	Parts assembled without machining operations
C	Castings, forging, extrusions, molded parts, coils
CA	Cabinet and wood parts
CBL	Cables
E	Electrical component
G	Raw and screened glass parts
K	Kits
M	Miscellaneous
N	Nut
P	Fabricated parts
R	Rubber parts
S	Screw machine parts
SP	Springs
WIP	Wire

the parts:

Fasteners follow the following convention:

PP D H - SSS TT - M F LL

PP	Fastener Description	PP	Fastener Description
AB	Sheet Metal Type AB	RL	Rolox Screw
CB	Carriage Bolt	SA	Sheet Metal Type A
CP	Set Scw Cup Point	SB	Sheet Metal Type B
CS	Cap Screw	SF	Swage Form
DS	Drill Screw	SL	Sheet Metal Type L
FP	Set Screw Flat Point	SM	Seemplex Thread Form
HL	HiLo Thread for Plastic	SW	Machine Screw Type 23
KP	Set Screw Knurled	SX	Square Flo
LS	Machine Screw With Lock Washer	SY	Machine Screw Type 25
MF	Machine Screw Type F	SZ	Sheet Metal Type Z
MS	Machine Screw	TC	Thread Form Type C
NG	"Nyloc" Machine Screw	TF	Thread Form RL, TT, SF, C
NL	Machine Screw With External Lock Washer	TT	"CamCar Taptite" Thread
PC	Set Screw Cone Point	WO	Set Screw W Point
PT	CamCar "Fastite" Thread	WS	Wood Screw

D H

D	Drive	H	Head	H	Head	H	Head
O	None	A	Washer Head Round	H	Hex Head	S	Washer Serrated Hex
A	Allen	B	Binding Head	J	Washer Reversed Serrated Hex	T	Truss Head
P	Phillips	C	Washer Head Hex	L	Fillster Head	U	Binding Head Undercut
S	Slotted	D	Hex Head Indented	O	None	X	Undercut Flat Head
H	Holt	E	Knurled Head Cap	P	Pan Head	Z	Oval Head
		F	Flat Head	R	Round Head		

SSS

SSS	Size	SSS	Size	SSS	Size
002	2	008	8	375	3/8
003	3	010	10	437	7/16
004	4	012	12	500	1/2
005	5	250	1/4	M03	3mm
006	6	312	5/16	M04	4mm

TT

TT	Threads Per Unit	TT	Threads Per Unit	TT	Threads Per Unit
00	0-WS	20	20 TPI	40	40 TPI
13	13 TPI	24	24 TPI	48	48 TPI
14	14 TPI	28	28 TPI	56	56 TPI
16	16 TPI	32	32 TPI	50	.5 TPmm
18	18 TPI	36	36 TPI	70	.7 TPmm

M

M	Material
1	Steel
2	Brass
3	Stainless
4	Aluminum
5	Plastic
6	Nylon

F

F	Finish	F	Finish
0	None	5	Zinc, Waxed
1	Zinc	6	Nickel, Waxed
2	Zinc, Gold	7	Blued
3	Nickel	8	Black Oxide
4	Chromium	9	Black Oxide, Waxed

LL

LL	Length	LL	Length	LL	Length
02	1/8 "	09	9/16 "	16	1 "
03	3/16 "	10	5/8 "	18	1 1/8 "
04	1/4 "	11	11/16 "	20	1 1/4 "
05	5/16 "	12	3/4 "	22	1 3/8 "
06	3/8 "	13	13/16 "	24	1 1/2 "
07	7/16 "	14	7/8 "	28	1 3/4 "
08	1/2 "	15	15/16 "	32	2 "

Video Model Number

Bally Gaming Machines have an Identification Plate attached to the outside of the cabinet. Upright machines will have the plate in the lower left corner of the player's right-hand side. In slant top and bar top machines the plate is mounted under the arm rest in the upper right portion of the machine's front.



Identification Plate

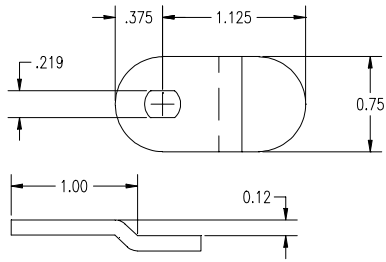
The Model Number consists of nine digits with the following convention:

Digit	Selection	Reference	Description
1	V	Product	Video Product
2,3,4	MPL	Description	Multi Game Capable
5	0 4 5	Feature	Default Feature Frenzy™ 20" monitor V72 slant 17" monitor
6	N Q M W C R F S D	Cabinet	Upright 14" monitor Upright 20" monitor V8000 20" Chop top narrow traditional Chop top wide traditional Chop top narrow round top Bar top Slant top standard top box Slant top round top box
7	0 1 6 F P N	Bill Acceptors	No acceptor Bill acceptor Bar code bill acceptor Front Loading bill acceptor Front loading V7200, V8000 No acceptor V7200, V8000
9	1 2 3 4 5 6	Touchscreen, Printer, Hopper	Touchscreen, Printer Touchscreen, Hopper Buttons, Printer Buttons, Hopper Touchscreen, Buttons, Printer Touchscreen, Buttons, Hopper

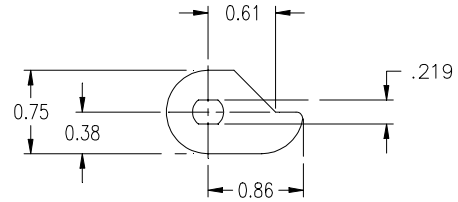
This Page unintentionally left blank

Appendix A

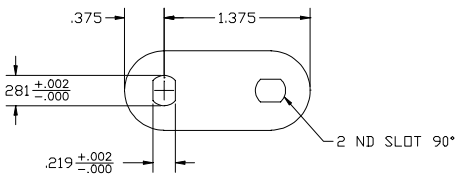
Lock Cams



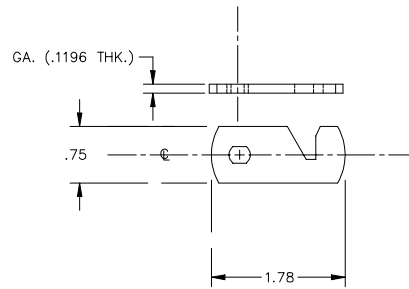
P-00758-0093



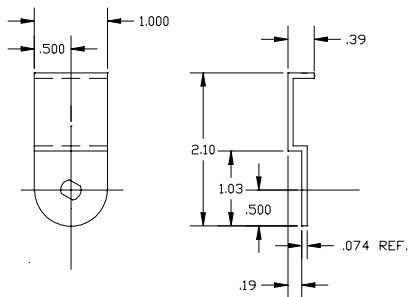
P-00758-0099



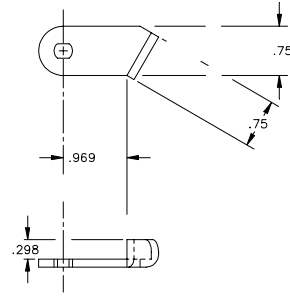
P-00758-0094



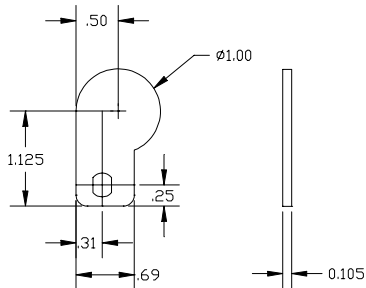
P-00758-0101



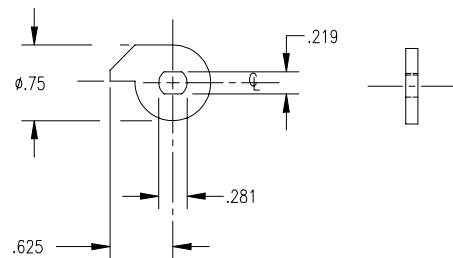
P-00758-0095



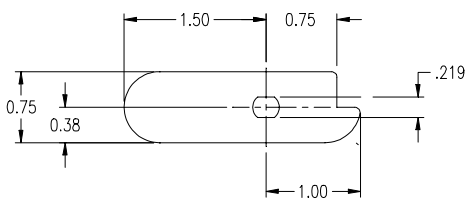
P-00758-0103



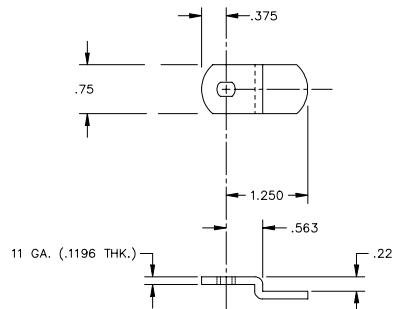
P-00758-0096



P-00758-0106



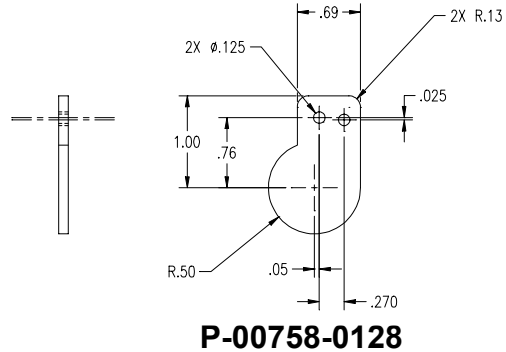
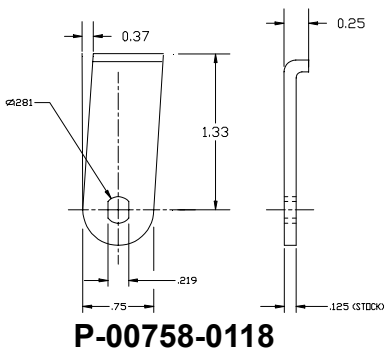
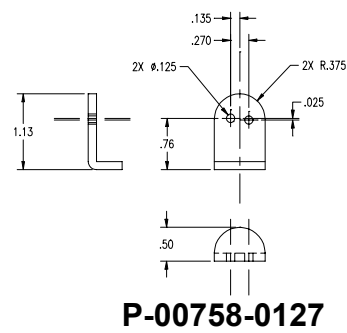
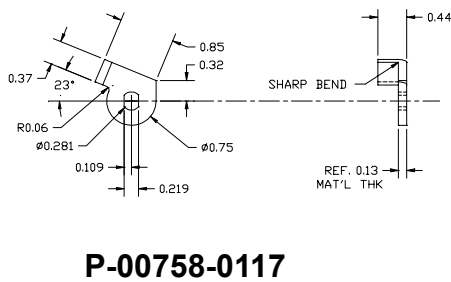
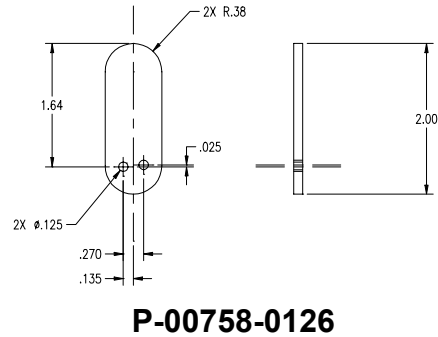
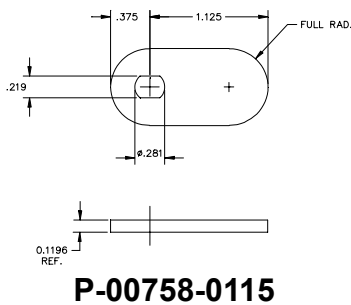
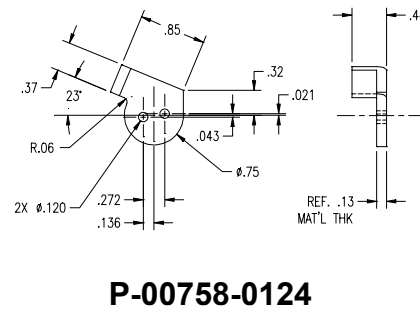
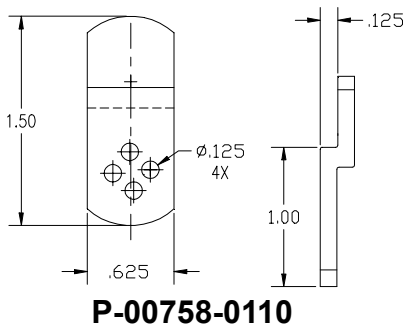
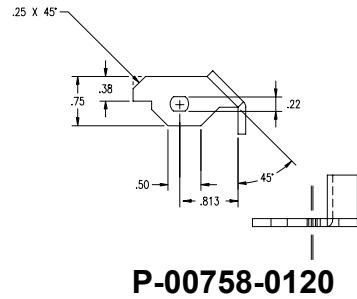
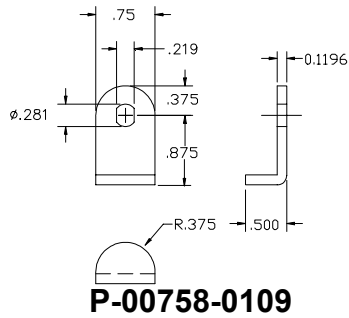
P-00758-0098



P-00758-0108

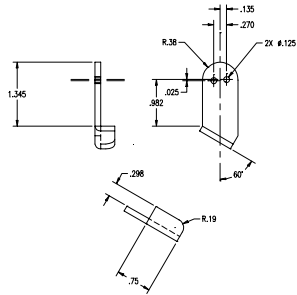
Appendix A

Lock Cams (cont.)

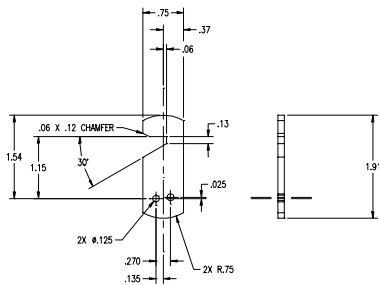


Appendix A

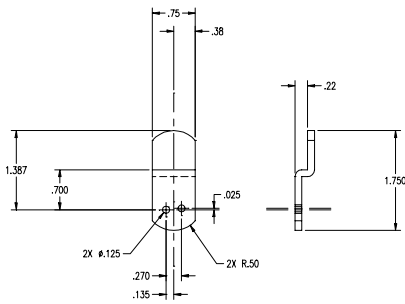
Lock Cams (cont.)



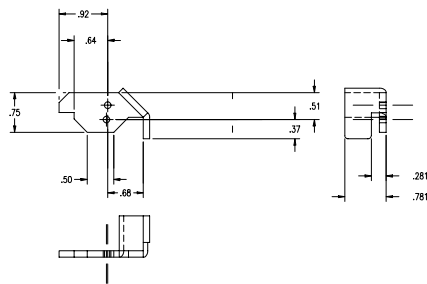
P-00758-0129



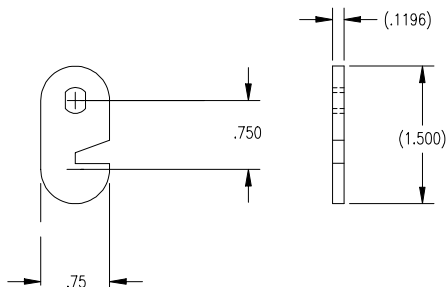
P-00758-0130



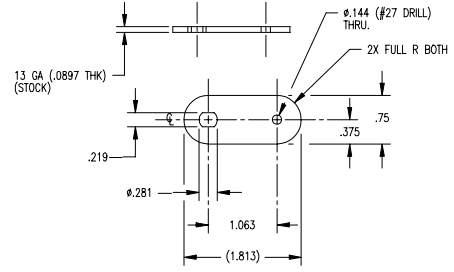
P-00758-0131



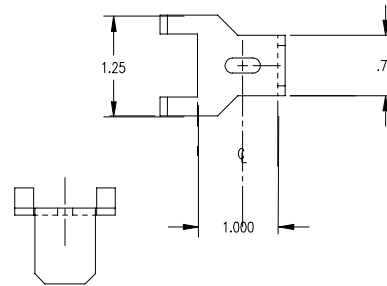
P-00758-0132



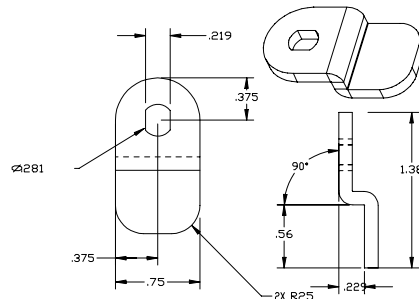
P-00758-0137



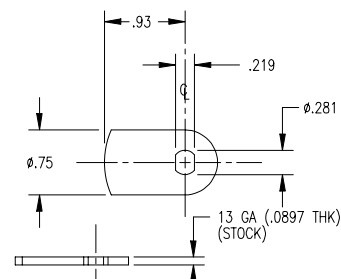
P-00758-0143



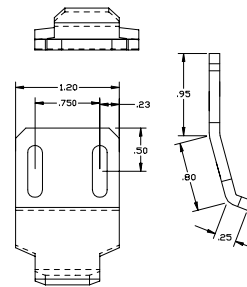
P-00758-0144



P-00758-0151

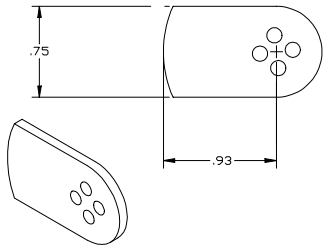


P-00758-0155

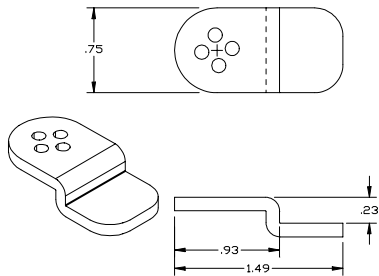


P-00758-0160

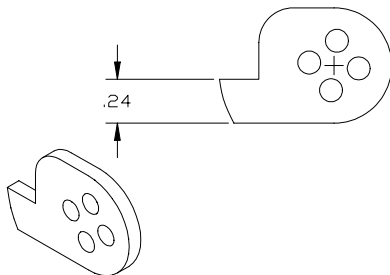
Appendix A Lock Cams (cont.)



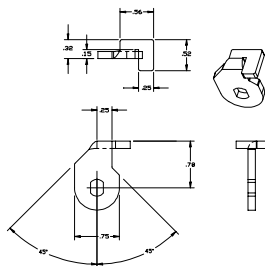
P-00758-0161



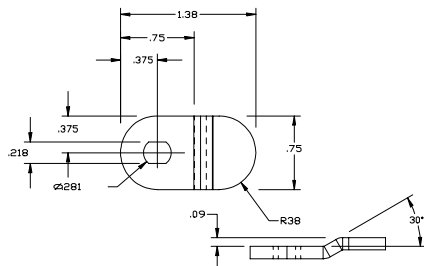
P-00758-0162



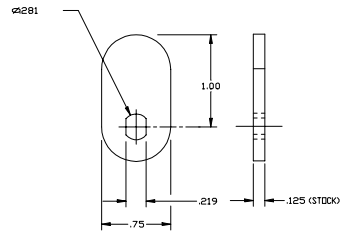
P-00758-0163



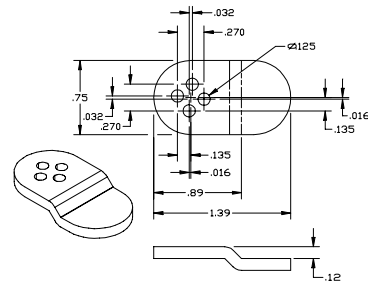
P-00758-0165



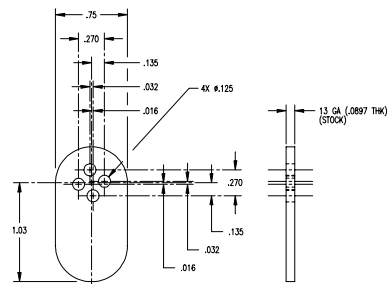
P-00758-0166



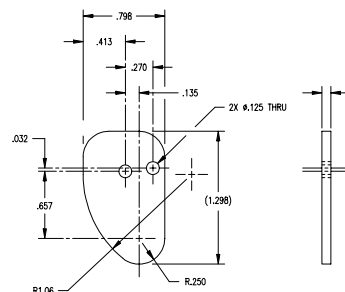
P-00758-0168



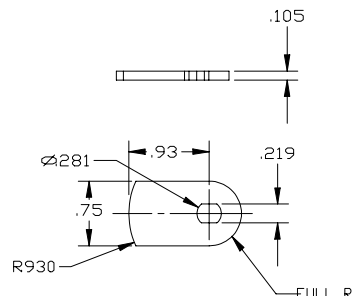
P-00758-0173



P-00758-0177



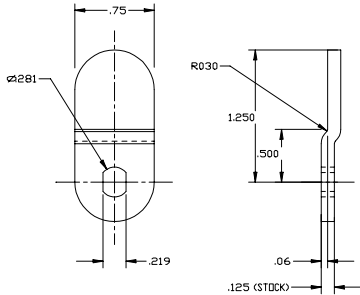
P-00758-0178



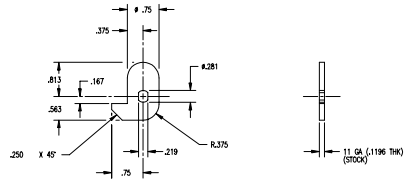
P-00758-0180

Appendix A

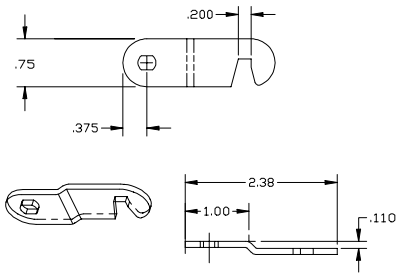
Lock Cams (cont.)



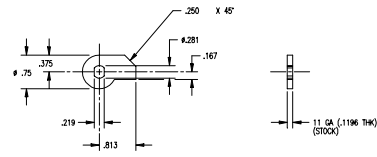
P-00758-0181



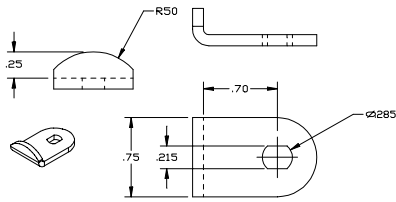
P-04644-0001



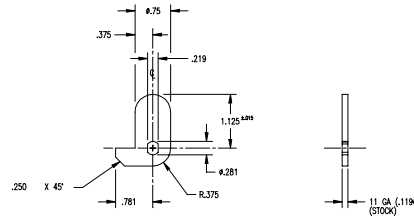
P-00758-0185



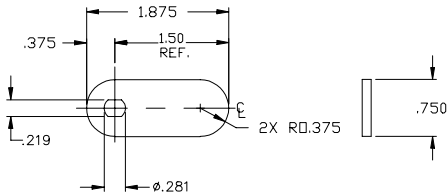
P-04644-0002



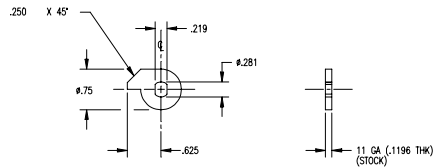
P-00758-0189



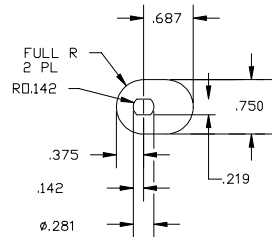
P-04644-0003



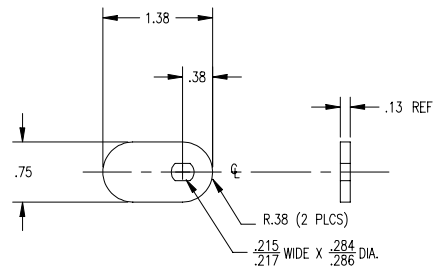
P-00758-081A



P-04644-0004



P-00758-083A



P-04644-0007

