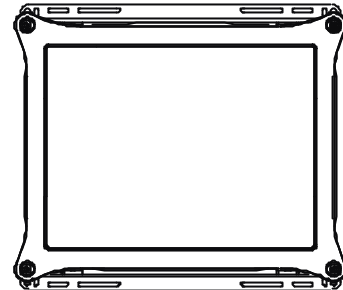


Service Manual

Entuitive Touchmonitor



ET1587C/1787C/1987C/1788C/1988C/1545C/1745C/1945C/1985C
Chassis Family No.ET15,17,19

CONTENTS

1.REGULATORY INFORMATION.....	1
2.INTRODUCTION.....	3
3.TOUCH TECHNOLOGY	3
4.TOUCHMONITOR SAFETY	4
5.TECHNICAL SPECIFICATIONS.....	4
6.INSTALLATION AND SETUP	9
7.OPERATION	13
8.ABOUT MONITOR ADJUSTMENTS	16
9.MONITOR INSPECTION STANDARDS	27
10.CAUTION FOR SERVICING.....	34
11.BLOCK DIAGRAM.....	35
12.TROUBLE SHOOTING CHART.....	37
13.SERVICE COMPONENTS	52
14.ET15 PARTS LIST.....	53
15.ET17 PARTS LIST.....	71
16.ET19 PARTS LIST.....	128
17.SPARE PARTS APPLICATION.....	195

REGULATORY INFORMATION

1. Electrical Safety Information

- 1.1 Compliance is required with respect to the voltage, frequency, and current requirements indicated on the manufacturer's label. Connection to a different power source than those specified herein will likely result in improper operation or damage to the equipment, or may pose a fire hazard if the limitations are exceeded.
- 1.2 There are no operator serviceable parts inside this equipment. This equipment generates hazardous voltages that constitute a safety hazard. Service should be provided only by a qualified service technician.
- 1.3 This equipment is provided with a detachable power cord that has an integral safety ground wire and three-prong connector intended for connection to a grounded safety outlet.
 - 1.3.1 Do not substitute the cord with any cord other than the provided approved type. Under no circumstances use an adapter plug to connect to a two-wire outlet, as this will defeat the continuity of the grounding wire.
 - 1.3.2 This equipment requires the use of the ground wire as a part of its safety certification. Modification or misuse can provide a shock hazard that can result in serious injury or death.
 - 1.3.3 If there are any questions about the installation prior to connecting the equipment to mains power, contact a qualified electrician or the manufacturer.

2. Emissions and Immunity Information

- 2.1 Notice to Users in the United States: This equipment has been tested and found to comply with Part 15 Class B of FCC Rules for digital devices. These limits are designed to provide reasonable protection against harmful interference in a residential installation. This equipment generates, uses, and can radiate radio frequency energy, and if not installed and used in accordance with the instructions, may cause harmful interference to radio communications.
- 2.2 Notice to Users in Canada: This equipment has been tested and found to comply with Class B radio noise emission limits as established by the Radio Interference Regulations of Industries Canada for digital devices.
- 2.3 Notice to Users in the European Union: This equipment has been tested and found to comply with the Class B requirements of CE marking for Information Technology Equipment as required by :Low Voltage Directive 73/23/ECC and standard EN 60950 ; EMC Directive 89/336/ECC, and per standard EN 55022.
- 2.4 General Information to All Users: This equipment generates, uses, and can radiate radio frequency energy. If not installed and used according to this manual, the equipment may cause interference with radio and television communications. There is, however, no guarantee that interference will not occur in any particular installation due to site-specific factors.
 - 2.4.1 In order to meet emission and immunity requirements, the user must observe the following:
 - 2.4.1.1 Use only the provided I/O cables to connect this digital device with any

computer.

2.4.1.2 To ensure compliance, use only the provided manufacturer-approved line cord.

2.4.1.3 The user is cautioned that changes or modifications to the equipment not expressly approved by the party responsible for compliance could void the user's authority to operate the equipment.

2.4.2 If this equipment appears to cause interference with radio or television reception, or any other device:

2.4.2.1 Verify as an emission source by turning the equipment off and on.

2.4.2.2 If you determine that this equipment is causing the interference, try to correct the interference by using one or more of the following measures:

Move the digital device away from the affected receiver.

Reposition (turn) the digital device with respect to the affected receiver.

Reorient the affected receiver's antenna.

Plug the digital device into a different AC outlet so the digital device and the receiver are on different branch circuits.

Disconnect and remove any I/O cables that the digital device does not use. (Unterminated I/O cables are a potential source of high RF emission levels.)

Plug the digital device into only a grounded outlet receptacle. Do not use AC adapter plugs. (Removing or cutting the line cord ground may increase RF emission levels and may also present a lethal shock hazard to the user.)

If you need additional help, consult your dealer, manufacturer, or an experienced radio or television technician.



MPR II

DHHS



INTRODUCTION

Congratulations on your purchase of an Elo TouchSystems Entuitive touchmonitor. Your new high-resolution touchmonitor combines the reliable performance of Elo's touch technology with the latest advances in CRT display design. This combination of features creates a natural flow of information between a user and the touchmonitor.

1. Precautions

Follow all warnings, precautions and maintenance as recommended in this manual to maximize the life of your unit. See page 4 B for more information on touchmonitor safety.

2. About the Product

Your CRT touchmonitor is a color display with the following features:

- 13.8-inch viewable image 0.28mm dot pitch CDT for 15".
- 15.7-inch viewable image 0.27mm dot pitch CDT for 17".
- 18-inch viewable image 0.25mm dot pitch CDT for 19".
- Supports a wide range of screen refresh rates with flicker-free picture quality.
- Plug and Play functionality automatically adjusts the monitor to its optimum performance.
- VESA DPMS (Display Power Management Signaling).
- Patented iTouch technology from Elo TouchSystems.
- RS-232 touch interface.

TOUCH TECHNOLOGY

1. Touchscreens: An Overview

Typically, users communicate with computers by using a mouse, a keyboard, or a combination of the two. Users who are not keyboard-literate or mouse-savvy can become frustrated with how long human-to-computer interactions take.

Computer literacy is learned. This is complicated by the fact that using a keyboard or a mouse is neither intuitive nor natural for most people.

Touchscreens cut out the learning curve by eliminating keyboard/mouse intermediaries and allowing a natural flow of information to develop between a user and a computer.

When a user wants to access information or perform a function on a computer with a touchscreen installed, a touch quickly and accurately does the job that once required complicated keyboard interactions or precise mouse movements.

A frustrating experience with a computer during a transaction can create dissatisfaction for your customer. Touchscreens help eliminate unpleasant transactions by creating a natural flow of information that enhances your product or service. Touchscreens speed up user/computer interactions. People get what they want faster and are more satisfied with the process.

2.iTouch Touchscreens

Elo built on its IntelliTouch surface wave technology to create its iTouch "touch-on-tube" solution. Elo eliminated the clear glass layer between the viewer and the display. iTouch touchmonitors have been adopted by some of the largest manufacturers in the world in their next generation games.

Elo CRT gaming monitors offer consistent features across all sizes:

- Touch directly on tube—no touchscreen overlay and no parallax.
- Preserves 100 percent of CRT brightness, clarity, antireflection and color properties.
- More durable and safer than even bonded touchscreen overlays.
- Same fast, accurate, stable performance as Elo's IntelliTouch surface wave touchscreen overlays.
- "Drift free" and not affected by surrounding metal or poor earths/grounding.
- Dual touches are not averaged, allowing extremely fast two-handed play.
- Z-axis for pressure can add a new dimension to games.
- No need for periodic recalibration.

TOUCHMONITOR SAFETY



DANGER

As this equipment is received it presents an electrical shock hazard that could result in serious injury or death. Only qualified persons should work around this equipment when it is energized. This equipment is intended to be used by a manufacturer *only* for building-in to other equipment which will provide a proper electrical and fire safety enclosure.



This manual contains information that is important for the proper setup and maintenance of your touchmonitor. Before setting up and powering on your new touchmonitor, read through this manual, especially page 9, Installation and Setup, and page 13, Operation.

- 1.To reduce the risk of electric shock, follow all safety notices and never insert conductive metal objects into the circuitry.
- 2.It is important that your touchmonitor remains dry. Do not pour liquid into or onto your touchmonitor. If your touchmonitor becomes wet do not attempt to repair it yourself.
- 3.Your new monitor is equipped with a three-wire, grounding power connector, AMP "Mate-N-Lock", part number 350767-1. Contacts inside the connector are female type, AMP part number 350550-1.

Connector Information

Pin 1 Mains line hot monitor (brown)

Pin 2 Mains ground monitor (green)

Pin 3 Mains line neutral monitor (blue)

Should you wish to construct your own custom power cable, Elo highly recommends using AMP "Mate-N-Lock" part number 350766-1 and male type contacts, AMP part number 350547-1.

After connecting the power cable to the monitor, *but before applying power*, ensure that the power cable's black or brown wire connects to the monitor's brown wire; the power cable's green wire connects to the monitor's green wire; and the power cable's white or blue wire connects to the monitor's blue wire.

Note: The cable used must include a green (earth ground) wire, it must be 18AWG (or larger), and it should be rated SVT 105C 600V (or better).

TECHNICAL SPECIFICATIONS

1. Touchmonitor Specifications

	19" Monitor	17" Monitor	15" Monitor
Picture Tube	19" (18" diagonal viewable image), 0.25-mm dot pitch.	17" (15.7" diagonal viewable image), 0.27-mm dot pitch.	15" (13.8" diagonal viewable image), 0.28-mm dot pitch.
Maximum Resolution	640x350/70Hz 720x400/70Hz 640x480/60, 72, 75, 85HZ 800x600/56,60,72,75,85HZ 1024x768/60, 70, 75, 85HZ 1280x1024/60Hz Non-interlaced	640x350/70Hz 720x400/70Hz 640x480/60, 72, 75, 85HZ 800x600/56,60,72,75,85HZ 1024x768/60, 70, 75, 85HZ 1280x1024/60Hz Non-interlaced	640x350/70Hz 720x400/70Hz 640x480/60, 72, 75, 85HZ 800x600/56,60,72,75,85HZ 1024x768/60Hz
Deflection Frequency	Horizontal: 30-70 kHz Vertical: 50-160 Hz	Horizontal: 30-70 kHz Vertical: 50-160 Hz	Horizontal: 30-55 kHz Vertical: 50-160 Hz
Maximum Video Input Bandwidth	100 MHz	100 MHz	65 MHz
Display Area*	H: 350 mm V: 262 mm	H: 300 mm V: 225 mm	H: 270 mm V: 202 mm
Input Signal	R.G.B. Analog, 15 pin D-sub	R.G.B. Analog, 15 pin D-sub	R.G.B. Analog, 15 pin D-sub
Input Voltage	100-240 VAC, 50-60 Hz	100-240 VAC, 50-60 Hz	100-240 VAC, 50-60 Hz
Display Colors*	Analog input; unlimited colors	Analog input; unlimited colors	Analog input; unlimited colors
Typical Power Consumption	75 watts	65 watts	60 watts
Power Management	Compliant with EPA/Energy Star, VESA DPMS signaling method.	Compliant with EPA/Energy Star, VESA DPMS signaling method.	Compliant with EPA/Energy Star, VESA DPMS signaling method.
CRT Life	Average operational CRT life is 12,000 hours to half brightness.	Average operational CRT life is 12,000 hours to half brightness.	Average operational CRT life is 12,000 hours to half brightness.

On-Screen Adjustments	Brightness, Contrast, Exit, Zoom, V. Si ze, V. Po sition, H. Size, H. Position, Language, Save, Recall, Starus, Degauss, Rotation, Input Level, OSD, Color Temperature, Trapezoid, Parallel, Pin Balance, Top/ Bottom Corner, S/C Correct, H/V Moire.	Brightness, Contrast, Exit, Zoom, V. Si ze, V. Po sition, H. Size, H. Position, Language, Save, Recall, Starus, Degauss, Rotation, Input Level, OSD, Color Temperature, Trapezoid, Parallel, Pin Balance, Top/ Bottom Corner, S/C Correct, H/V Moire.	Brightness, Contrast, Exit, Zoom, V. Si ze, V. Po sition, H. Size, H. Position, Language, Save, Recall, Starus, Degauss, Rotation, Input Level, OSD, Color Temperature, Trapezoid, Parallel, Pin Balance, Top/ Bottom Corner, S/C Correct, H/V Moire.
Safety Regulations	cRUus, DHHS, TÜV	cRUus, DHHS, TÜV	cRUus, DHHS, TÜV
EMC IC ES-003 C-Tick VCCI	FCC Class B, CE	FCC Class B, CE	FCC Class B, CE
Monitor Dimensions	424w x 440d x 375h	397w x 405d x 343h	424w x 440d x 375h
Net Weight	17.8kg	14.7kg	11.7kg
Operating Temperature	5-55°C	5-55°C	5-55°C
Humidity	10% -80%	10% -80%	10% -80%

2.iTouch Touchmonitor Specifications

Mechanical

Positional Accuracy

Standard deviation of error is less than 0.080 in. (2.03 mm). Equates to less than $\pm 1\%$.

Touchpoint Density

More than 100,000 touchpoints/in² (15,500 touchpoints/cm²).

Touch Activation Force

Typically less than 3 ounces (85 grams).

Surface Durability

Surface durability is that of glass, Mohs' hardness rating of 7.

Expected Life

No known wear-out mechanism, as there are no layers, coatings, or moving parts.

Performance

iTouch technology has been operationally tested to more than 50 million touches in one location without failure, using a stylus similar to a finger.

Sealing

Unit is sealed to protect against splashed liquids, dirt, and dust.

Optical

Light Transmission (per ASTM D1003)

100%

Visual Resolution

All measurements made using USAF 1951 Resolution Chart, under 30X magnification, with test unit located approximately 1.5 in (38 mm) from surface of resolution chart.

Clear surface: Excellent, with no noticeable degradation. Antiglare surface: 6:1 minimum.

Environmental

Chemical Resistance

The active area of the touchscreen is resistant to all chemicals that do not affect glass, such as:

- Acetone
- Toluene
- Methyl ethyl ketone
- Isopropyl alcohol
- Methyl alcohol
- Ethyl acetate
- Ammonia-based glass cleaners
- Gasoline
- Kerosene
- Vinegar

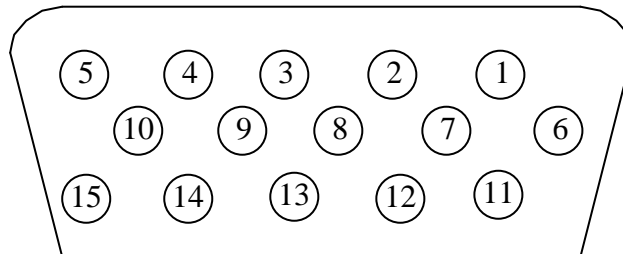
Electrostatic Protection (per EN 61 000-4-2, 1995)

Meets Level 4 (15 kV air/8 kV contact discharges).

*Dependent on video controller/card used.

NOTE: All specifications are subject to change.

3. Signal PINOUT for 15",17" and 19" Monitors



PIN Number Signal

1. Red video	9. NC
2. Green video	10. Sync return
3. Blue video	11. Ground
4. Ground	12. SDA (Serial Data)
5. *VGA card detection (GND)	13. Horizontal Sync
6. Red return	14. Vertical Sync
7. Green return	15. SCL (Serial Clock)
8. Blue return	

*Pin 5, self-test pin shall be grounded when signal connector is plugged in.

4. Power Consumption

The touchmonitor comes with a power-saving feature that controls its power consumption. This feature complies with both the EPA's Energy Star requirements. It also conforms to the Display Power Management System (DPMS) power-down signaling method approved by the Video Electronics Standard Association (VESA).

15" Monitor		
Mode	LED	Power consumption (W)
Normal	Green	60
Standby	Green/ blinking	15
Suspend	Green/ blinking	15
Off	Green/ blinking	5
Unplugged	Not illuminated	0

17" Monitor		
Mode	LED	Power consumption (W)
Normal	Green	65
Standby	Green/ blinking	15
Suspend	Green/ blinking	15
Off	Green/ blinking	5
Unplugged	Not illuminated	0

19" Monitor		
Mode	LED	Power consumption (W)
Normal	Green	75
Standby	Green/ blinking	15
Suspend	Green/ blinking	15
Off	Green/ blinking	5
Unplugged	Not illuminated	0

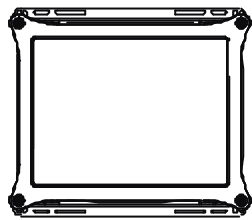
NOTE: The only way to isolate the display unit completely from the mains supply is to unplug the mains cable.

INSTALLATION AND SETUP

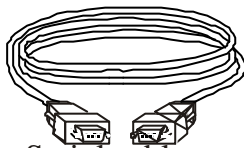
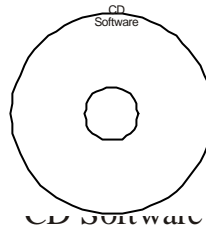
This chapter discusses how to install your CRT touchmonitor and how to install Elo TouchSystems driver software.

1. Unpacking Your Touchmonitor

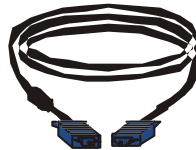
Check that the following 5 items are present and in good condition:



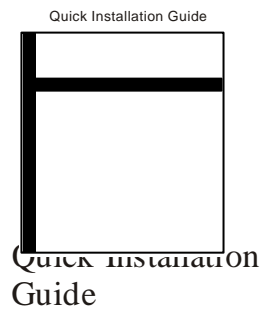
CRT Touchmonitor



Serial cable

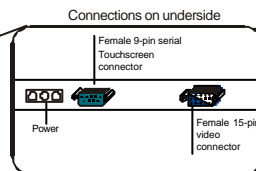
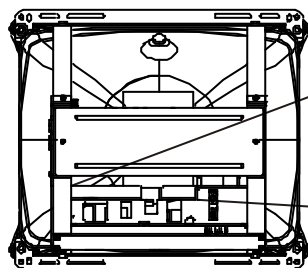


VGA cable



2. Connecting Your Touchmonitor

IMPORTANT: Before connecting the cables to your touchmonitor and PC, be sure that the computer and touchmonitor are turned off.

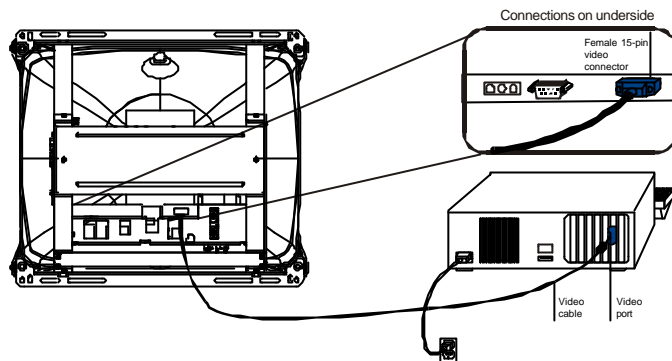


Video cable



Serial touchscreen cable

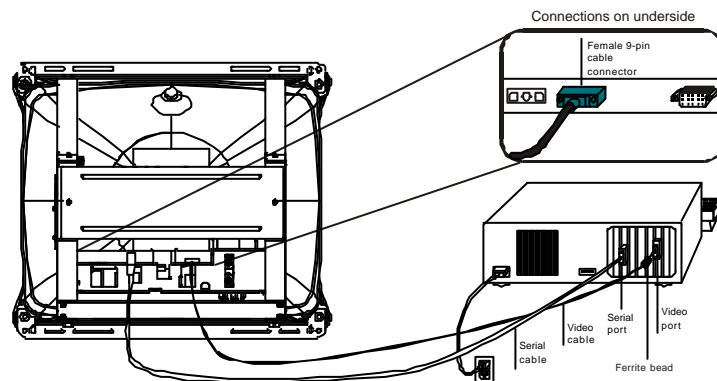
3. Connect the Video Cable



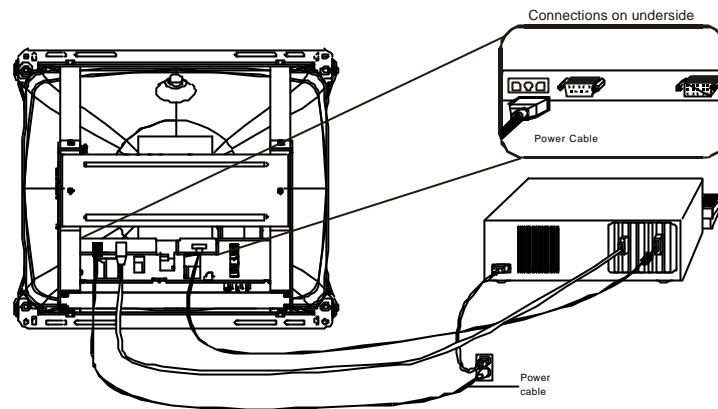
Connect one end of the video cable to the video connector on your PC and the other end of the cable to the video connector on your monitor. Secure the cable by turning the thumbscrews on each connector.

4. Connect the Serial Touchscreen Cable

Connect the touchscreen cable. Connect one end to the appropriate port on the back of your computer. Connect the other end of the cable to the touchscreen connector on your touchmonitor. The touchscreen cable connectors should fit snugly into the connectors on your touchmonitor and computer. Secure the cable by turning the thumbscrews on each connector.



5. Connect the Power Cable



- Your monitor does not include a power cable. You may either purchase a country specific power cable from Elo (www.elogaming.com), or construct your own custom power cable (see page 4 for details). Connect the power cable to the AC connector on your touchmonitor. To protect your equipment against risk of damage from electrical surges in the power line, plug the touchmonitor's power cord into a switched surge protector, and then connect the surge protector to a grounded (three-pronged) AC electrical outlet.
- Your touchmonitor has no power switch. Power on your monitor using the power switch of the surge protector, and check that the power LED is on. If not, refer to page 32, Troubleshooting.
- After a brief pause the picture should appear. If necessary, adjust the front panel controls according to your personal preference (see page 13).
- Insert the Elo TouchTools CD-ROM in your computer's CD-ROM drive to install the appropriate touchscreen driver software. Follow the directions starting on the next page to install the driver software.

6. Installing the Driver Software

Elo TouchSystems provides driver software that allows your touchmonitor to work with your computer. Drivers are located on the enclosed CD-ROM for the following operating systems:

- Windows XP
- Windows 2000
- Windows Me
- Windows 98
- Windows 95
- Windows NT 4.0

Additional drivers and driver information for other operating systems are available on the Elo TouchSystems web site at www.elogaming.com.

Your Elo touchmonitor is plug-and-play compliant. Information on the video capabilities

of your touchmonitor is sent to your video display adapter when Windows starts. If Windows detects your touchmonitor, follow the instructions on the screen to install a generic plug-and-play monitor.
Refer to the appropriate following section for driver installation instructions.

7. Installing the Touch Driver for Windows XP, Windows 2000¹, Me, 95/98 and NT 4.0

NOTE: For Windows 2000 and NT 4.0 you must have administrator access rights to install the driver.

1. Insert the Elo CD-ROM in your computer's CD-ROM drive.

If the AutoStart feature for your CD-ROM drive is active, the system automatically detects the CD and starts the setup program.

2. Follow the directions on the screen to complete the driver setup for your version of Windows.

If the AutoStart feature is not active:

1. Click **Start > Run**.

2. Click the **Browse** button to locate the EloCd.exe program on the CD-ROM.

3. Click **Open**, then **OK** to run EloCd.exe.

4. Follow the directions on the screen to complete the driver setup for your version of Windows.

8. Installing the Touch Driver for MS-DOS and Windows 3.1

You must have a DOS mouse driver (MOUSE.COM) installed for your mouse if you wish to continue using your mouse along with your touchmonitor in DOS.

To install Windows 3.x and MS-DOS from Windows 95/98, follow the directions below:

1. Insert the Elo CD-ROM in your computer's CD-ROM drive.

2. From DOS, type d:\EloDos_W31 to change to the correct directory on the CD-ROM (your CD-ROM drive may be mapped to a different drive letter).

3. Type install and press **Enter** to start the installation.

4. Align the touchscreen.

You must have already completed Steps 1 and 2 before proceeding. Refer to page 9 of the Elo DOS and Windows Driver Guide as necessary for additional installation information.

To run the INSTALL program:

1. Type INSTALL at the DOS prompt in the directory containing the driver install files.

2. INSTALL asks you to select the software to install. Then choose d:\EloDos_W31 from the displayed list.

3. INSTALL also asks you for the paths to use during installation, or you may use its defaults. INSTALL creates directories as necessary, and warns you if they exist.

If you are updating your software, you may wish to specify the paths containing the earlier versions, and overwrite the obsolete files. All executable programs are upward compatible. For a list of differences from each previous version of the drivers, be sure to select "Differences from Previous Versions" during the installation process.

INSTALL updates your AUTOEXEC.BAT file with the drivers you select.

INSTALL makes a copy of your original AUTOEXEC.BAT file, called

AUTOEXEC.OLD. If you already have Elo driver commands in your AUTOEXEC.BAT file, they will be commented out.

When INSTALL is finished, it leaves a file called GO.BAT in the subdirectory you specified. GO loads the touchscreen driver, runs the calibration program ELOCALIB, and gives you some final instructions.

If you are using Windows 3.1, you will also calibrate the touchscreen within Windows 3.1 with the Touchscreen Control Panel.

OPERATION

1. About Touchmonitor Adjustments

By design, your Elo Entuitive touchmonitor should not require any adjustments.

The factory settings will give you optimum video results with most standard PC video display adapters.

However, after connecting your touchmonitor you can further optimize the settings to meet your requirements by following the directions in this chapter.

All adjustments you make to the controls are automatically memorized, so you do not need to reset your choices every time you unplug your touchmonitor or power it off and on. If there is a power failure your touchmonitor settings will not default to the factory specifications.

IMPORTANT: Do not insert conductive metal objects into the monitor's circuitry. The monitor uses high voltages and the metal edges can be sharp. Disassembly or realignment of the monitor circuitry voids the warranty.



2. Touchmonitor Controls

You can adjust the screen display by using the plastic knob labeled OSD located on the right-hand side of the touch controller bracket.

2.1 Using the On Screen Display (OSD)

2.1.1 Push the **OSD knob** to access the OSD.

2.1.2 Turn the **OSD knob** to choose the item you want to adjust. The selected item is highlighted. See figure 1 for OSD menu options.

2.1.3 Push the **OSD knob** to adjust the highlighted item.

The display unit automatically saves the new settings in about 45 seconds after your last adjustments. The menu will automatically disappear or you can push the **OSD knob** to make the menu disappear.

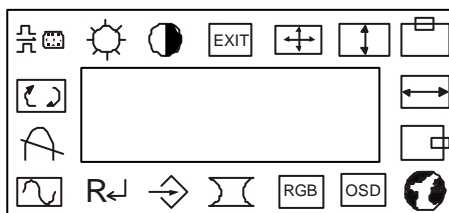
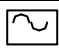





Figure 1 OSD Menu

3.2 OSD Adjustments

Symbol	Function	Process
H. Size		Adjusts the horizontal size of the entire screen image.
H. Position		Adjusts the horizontal position of the entire screen image.
V. Size		Adjusts the vertical size of the entire screen image.
V. Position		Adjusts the vertical position of the entire screen image.
Zoom		Simultaneously changes vertical and horizontal image size.
Geometry		See Figure 4.
Pincushion		If the vertical sides of the picture curve in or bulge out, you can correct the distortion by using the pincushion adjustment.
Trapezoid		If the picture is wider at the top or at the bottom, you can correct the distortion by using the trapezoid adjustment.
Parallel		If the sides of the screen image are tilted, you can correct the distortion by using the parallel adjustment.
Pin Balance		If the sides of the picture are bowed to the right or the left, you can correct the pin cushion balance by using this adjustment.
Top Corner		Eliminates top corner distortion.
Bottom Corner		Eliminates bottom corner distortion.
S. Correct		Corrects vertical center linearity.
C. Correct		Corrects vertical top and bottom linearity.
V. Moire		Clears vertical moire if a series of concentric circles or arcs appear on your screen.
H. Moire		Clears horizontal moire if a series of concentric circles or arcs appear on your screen. Note: Moire is an interface pattern that makes the screen seem to have faint lines. A picture that is rastered or consists of small repeating figures is sensitive to moire interference. Strong colors are also liable to intensify moire. The moire pattern on the screen does not affect the printout of the image.
Language		You can select the language in which adjustment menus are displayed. The following languages are available; English, German, French, Italian, and Spanish.
Rotation		If the entire screen image is tilted, you can correct the distortion by using the rotation adjustment.
Input Level		Selects video input level 0.7Vp-p or 1.0 Vp-p.
OSD, H. Position, V. Position Timeout		(Figure 2) Adjusts the horizontal and vertical position of the OSD window and determines how long (in seconds) the OSD menu waits before closing automatically when no action has been performed.
Color Temp		(Figure 3) To correct the color temperatures individually, use the red, green, and blue contrast and brightness adjustments. To confirm the setting press the menu again.
Save		Saves current setting.
Recall	R	Recalls factory settings of the image parameters.

Status		Displays the horizontal and vertical frequency settings from the computer.
Degauss		If you have moved the display unit, you should perform demagnetization. Demagnetizing takes place automatically when the display unit is switched on, and the unit normally maintains faultless color purity during operation. If you have tilted, swiveled or moved the display unit, you can perform demagnetization. During the process the picture is distorted for a few seconds. After demagnetization, the color impurities have disappeared if caused by stray magnetic fields. <i>Do not</i> use the degauss feature more than once every half hour or the degauss function will not work.
Brightness		Adjusts the brightness of the screen.
Contrast		Adjusts the contrast of the screen.

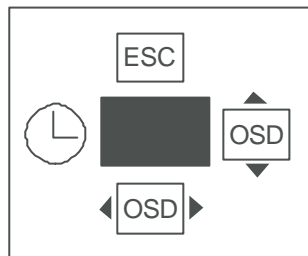


Figure 2

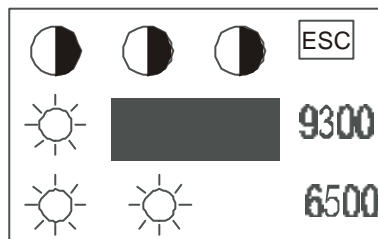


Figure 3

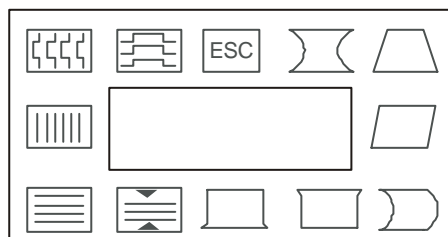


Figure 4

ABOUT MONITOR ADJUSTMENTS

Check the monitor according to the *Inspection Standards* and, if necessary, follow the procedures below to adjust the monitor.

1. Power Supply

1-1 Input Voltage:AC110V~AC230V.

1-2 Input Frequency:60 +/- 3Hz /50 +/-3Hz.

2. Note

2-1 Turn the monitor so the screen of the CDT faces eastward.

2-2 Before adjustments, warm up the monitor for 30 minutes.

2-3 Mode setting refer to table 1.

3. Control Confirmation

3-1 The 800 × 600 54K mode for 15” , 1024 × 768 69K mode for 17” , 19” , signal will be used to check all display modes of the monitor.

3-2 To adjust the monitor, set the brightness control to its center position and the contrast control to its maximum position.

4. Adjustment Equipment (for reference only)

4-1 Degaussing Coil

4-2 Oscilloscope and Probe

4-3 Digital Voltmeter (Model: Fluke 8050A or equivalent)

4-4 Colour Analyzer (Model: Minolta TV-2030 or CA-100)

4-5 Ruler (45 cm)

4-6 High-Voltage Probe (Model: Fluke 80K-40)

4-7 PC: PIII/P4 or equivalent

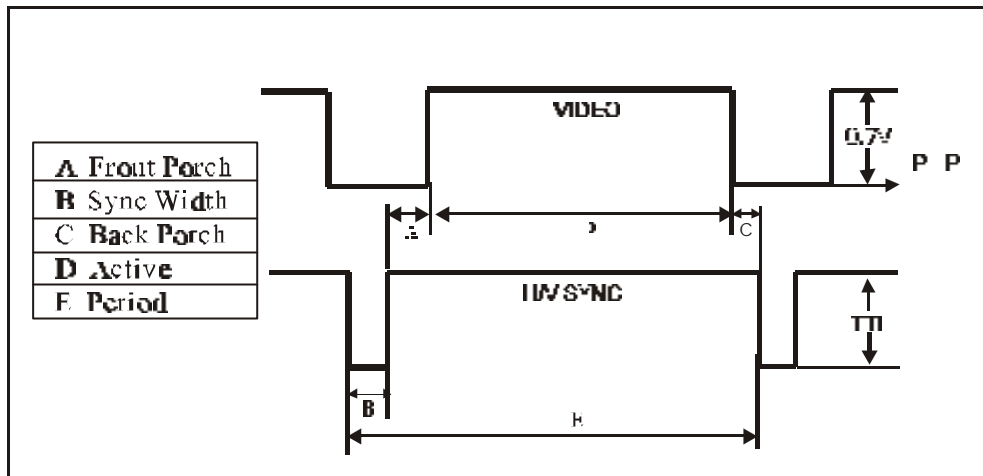
4-8 Chroma (Model: 1000, 2000 or 2130, 2135)

4-9 Power meter (model:2533 or equivalent)

4-10 Tool-1 uF 50V NP capacitor

4-11 Screw driver “-“ & “+”

5.TIMING CHART



Timing	1	2	3	4	5	6	7	8	9	10
Standard	VGA	VGA	VGA	VGA	VGA	VESA	VESA	VGA	SVGA	VGA
Data Pixel	536	536	640	640	640	800	1024	640	800	640
Data Line	420	420	350	400	480	600	768	480	600	480
H-Freq kHz	30.671	30.671	31.469	31.469	31.469	53.674	68.667	31.469	37.879	31.469
V-Freq Hz	49.953	59.904	70.087	70.087	59.942	85.061	84.997	59.941	60.317	59.941
Pix Rate	19.66	19.66	25.175	25.175	25.175	56.250	94.500	27	40	27
Hor.A (us)	0.763	0.763	0.636*	0.636	0.636*	0.569	0.508	1.407	1.0	1.778
Hor.B (us)	3.255	3.255	3.813	3.813	3.813	1.138	1.016	2.370	3.2	3.037
Hor.C (us)	1.272	1.272	1.907*	1.907	1.907*	2.702	2.201	4.296	2.2	3.07
Hor.D (us)	27.263	27.263	25.422	25.422	25.422	14.222	10.836	23.704	20	23.704
Hor.E (us)	32.604	32.604	31.778	31.778	31.778	18.631	14.561	31.778	26.4	31.778
Vert.A (ms)	2.445	0.783	0.381	0.381	0.381	0.019	0.015	0.286	0.026	0.064
Vert.B (ms)	.130	0.130	0.064	0.064	0.064	0.056	0.044	0.191	0.106	0.059
Vert.C (ms)	-	-	1.875	1.112	1.048#	0.503	0.524			
Vert.D (ms)	13.694	13.694	11.122	12.711	15.253	11.179	11.183	15.253	15.840	15.255
Vert.E (ms)	20.019	16.693	14.269	14.269	16.683	11.756	11.765	16.683	16.579	16.683
Sync.Pol.	+/+	+/+	+/-	-/+	-/-	+/+	+/+	-/-	-/-	-/-

Note:

- 1.Timing 5 is for 17" and 19" models only.
- 2.Timing 1,2 is for Bally 17" and 19" models only.
- 3.Timing 8~10 is for SEGA 19" model only.

Table 1 for mode setting

Model : ET15

Mode	Card Item	Freq. H. KHz	Freq. V. KHz	Resolutions
1	VGA	31.5	70.08	640 × 400
2	VGA	31.5	60	640 × 480
3	VGA	31.5	70.08	640 × 350
4	VESA	53.674	85.061	800 × 600

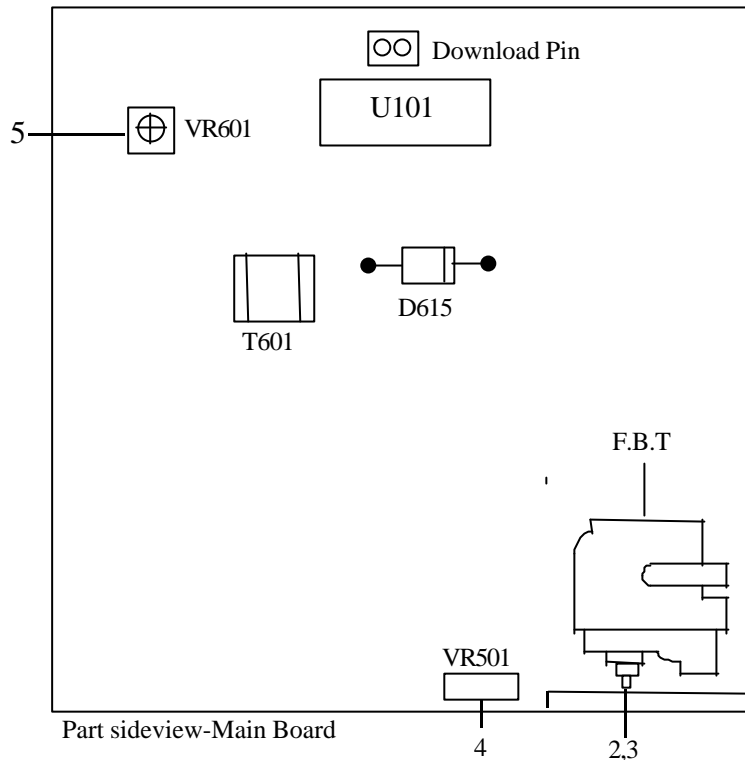
Model : ET17 & ET19

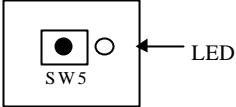
Mode	Card Item	Freq. H. KHz	Freq. V. KHz	Resolutions
1	VGA	30	50	536 × 420
2	VGA	30	60	536 × 420
3	VGA	31.5	70.08	640 × 400
4	VGA	31.5	60	640 × 480
5	VGA	31.5	70.08	640 × 350
6	VESA	53.674	85.061	800 × 600
7	VESA	68.667	84.997	1024 × 768
8	VGA	31	60	640 × 480
9	SVGA	37	60	800 × 600
10	VGA	31	60	640 × 480

Note:

1. Mode 1-2 for ET17 and ET19 Bally models only.
2. Mode 7 for ET17 and ET19 models.
3. Mode 8~10 ET1988C-4SWA-1-SEGA TPS model.

6. Service Adjustment Control Locations



1.  LED
2. OSD Function key (SW5)
- 2,3 Focus
4. H.V.Voltage (VR501)
6. B+ (VR601)

7. Adjustment

7-1 B+Voltage Adjustment:

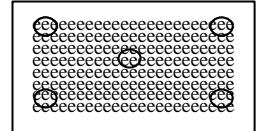
- Apply the mode 3 signal with a full white pattern.
- Apply 220V AC to the unit.
- Set the Brightness and the Contrast to the Max, the display size to 270mm × 202mm for 15" , 300 × 225mm for 17" , 350mm × 262mm for 19" .
- Apply the mode 4, the display size to 317 mm × 237mm for Atronic model only.
- Apply the mode 1~7, the display size to 317 mm × 237mm for ET17 Bally mode only
Size 350 mm × 262mm for 19" .
- Apply the model 1~7, the display size to 356 mm × 264mm for ET19 Bally model only.
- Apply the mode 8 , 9, adjust the H-Size to 90% (OSD) with adjust the SUB H-Size to 358 mm × 268mm for ET1988C-4SWA-1-SEGA TPS model only.
- Put the DVM probe between D615 cathode and GND.
- Adjust the VR601 until 14.7 VDC +/-0.1V.
- Put the High Voltage DVM probe between the H.V. Cap and GND.
- Adjust the VR501 until 23.5 +/- 0.1KV (15").
- Adjust the VR501 until 24.5 +/- 0.1KV (17").
- Adjust the VR501 until 24 +/- 0.1KV (19").
- Adjust the screen VR until G2 to 550V ± 10V (15" only)

7-2 X-Ray Protection Test:


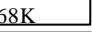

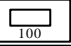
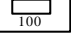

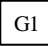


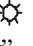

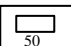
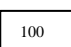
- Short R202 (Install 3k ohm tool), Check if the protection circuit works.
- Remove the tool and Restart the unit.



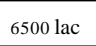
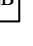


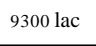
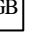


7-3 Focus Adjustment:

- Apply the mode (mode 6 for 15" , mode 7 for 17" and 19" signal with the text pattern.
- Set the brightness and contrast to the raster just disappears.
- Make the corner sections of the screen optimum by focus VR1 on the F.B.T.
- Make the center sections optimum by turning focus VR2 on F.B.T.
- Repeat 1,2 to make it optimum.



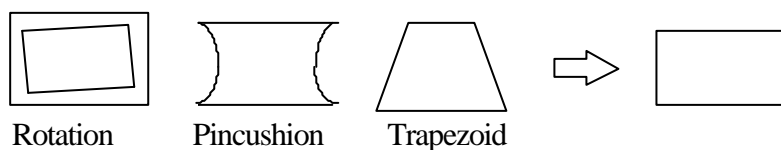
7-4 White Balance Alignment : (The monitor must to be warmup over up 30 minutes)

No.	Item	Function	Process
1	Set to factory mode	 Green Picture	Press OSD button and power on the OSD show green color with in factory mode
2	Raster adjustment and select the resolution and pattern	 OSD Picture	Apply the mode 7 (15" select to mode 6) signal with the video cut off pattern.
		 Raster Pattern	
		 Brightness	Set the contrast to Max, and the Brightness to the max. (OSD function) Select the OSD "OSD" " 'move the OSD picture to right side.
		 Contrast	
3	Raster of Brightness adjustment	 	Put the color analyzer probe on the screen center, adjust the OSD "OSD" "G1" until the color analyzer show "Y" is 0.5~0.7 Ft-L, select "ESC" select "SAVE".
4	Raster of Temperature Adjustment	  R.G.B	Select the OSD "R.G.B" color temp. adjust the  R.G.B to until , the color analyzer show "x" =0.283 and "y"=0.297+/-0.02(the "Y" must be in 0.5~0.7 Ft-L range), select "ESC" select "SAVE".
5	White Square-box pattern (50x50mm) setting	 White Square-box pattern  Brightness  Contrast	Select a White Square-box pattern (50x50cm) set the contrast to max and the brightness to the 50 value.

6	White Square-box 6500 temp. adjustment	  	Select the OSD "R.G.B" color temp., adjust the  "R.G.B" to Y=40~55 Ft-L, x=0.313 and y=0.329 +/- 0.02, select "6500" mode, select "ESC", select "SAVE".
7	White Square-box 9300 Temp. Adjustment	  	Select the OSD "R.G.B" color temp., adjust the  "R.G.B" to Y=40~55 Ft-L, x=0.283 and y=0.297 +/- 0.02, select "9300" mode, select "ESC", select "SAVE".
8	Full white pattern of Brightness Adjustment	 	-Apply a full white pattern. -Set the contrast to Max and the brightness to 50 value. -Select the OSD, "OSD" adjust the " A" to Y=28~34Ft-L, select "ESC", select "Save". -Select the OSD "OSD", select " " Move the OSD picture to center position select "ESC", select "SAVE", select "EXIT" to quit.
9	Power key off to save the setting		Push the power key off.

7-5 Trapezoid & Pincushion & Rotation Adjustment:

- Apply the all mode signal with a crosshatch pattern.
- Set to factory mode with select OSD to adjust item, (any item adjust finish must select "SAVE" to save)
- Adjust the OSD control key (at exterior).
- Adjust the V-Size to be 202mm for 15" and adjust V-Phase to be centered.
- Adjust the V-Size to be 225mm for 17" and Adjust V-phase to be centered.
- Adjust the V-Size to be 262mm for 19" and Adjust V-phase to be centered.
- Adjust the V-Size to be 237mm for Atronic (mode 4) and ET17 Bally (mode 1~7) model.
- Adjust the V-Size to be 264mm for ET19 Bally (mode 1~7) model.
- Adjust the V-Size to be 268mm for ET1988C SEGA (mode 8,9) model.
- Adjust the H-Width to be 270mm for 15", 300mm for 17", 350mm for 19", 317mm for ET17 Atronic (mode 4) and ET17 Bally (mode 1~7), 356mm for ET19 Bally (mode 1, 7), 358mm for ET19 SEGA (mode 8,9), and adjust the H-Phase to be centered.
- Adjust the Pincushion for the best result.
- Adjust the a Trapezoid for the best result.
- Adjust the Rotation for the best result.



7-6 Size, Phase, Pincushion, H-Linearity, Rotation and QC Check:

- Set to factory mode with select OSD adjust item, (any item adjust finish must select "SAVE" to save)

-
- Apply the all mode signal with a crosshatch pattern.
 - Set the H-Size to the best <270mm for 15", 300mm for 17", 350mm for 19", 317mm for ET17 Atronic (mode 4) and ET17 Bally (mode 1~7) , 356mm for ET19 Bally (mode 1, 7) , 358mm for ET19 SEGA (mode 8,9)>, the V-Size to the best (202mm for 15" , 225mm for 17", 262mm for 19", 237mm for Atronic (mode 4) and ET17 Bally (mode 1~7) model., 264mm for ET19 Bally (mode 1~7) model, 268mm for ET1988C SEGA (mode 8,9) model). Check all mode if the size is off by +/- 5mm, the phase +/- 2mm , the pincushion +0.5mm and -2mm range, Rotation +/- 1mm, Linearity under 7 %.

7-7 Power Saving Test:

- Off Mode:Open the H-Sync and V-Sync, check if the power is under 5W.

8. CONVERGENCE ADJUSTMENT

The CRT is an ITC assembly, however, here is the explanation for readjustment just in case.

- 8-1 Make sure that this adjustment is done later than 30 minutes after power on. Check general ability coarse adjustment and purity adjustment finished.
- 8-2 Degauss the magnetism of chassis and CRT with degaussing coil. (CRT board also).
- 8-3 Apply mixed crosshatch signals of red and blue from the signal generator. Nudge the deflection yoke to equal its inclination up and down, right and left with a temporary wedge between CRT and the top of the yoke.
- 8-4 Match the red and blue images at the center of the screen by rotating the Four-pole magnet A (See STEP-1 in figure for examples). For this adjustment Four-pole magnet A should be put together.
- 8-5 Apply mixed crosshatch signal of red, blue and green from the signal generator.
- 8-6 Match the red, green and blue images at the center of the screen by rotating the Six-pole magnet. (See STEP-2 in figure for examples).
- 8-7 If lines are twisted either left hand or right hand (See the STEP-3 in figure for examples) perform the following:
 - a. Use Four-pole magnet B to shift convergence of horizontal lines by 5 to 6 mm at the center of the screen. (For twisted left hand lines, shift blue line downward and red line upward. For twisted right hand lines, shift red line downward and blue line upward. Do not shift convergence of vertical lines.)
 - b. Then realign convergence with Four-pole magnet A.
- 8-8 Loosen the deflection yoke fastening screw and gently nudge the yoke up and down to achieve the best overall convergence on the edges of the screen (See STEP-4 in figure for examples).

Insert wedge at the top of the deflection yoke so that the convergence will not deviate due to an unsteady deflection yoke.
- 8-9 Gently nudge the yoke from side to side to achieve the best overall convergence on the edges of the screen (See STEP-5 in figure for examples).

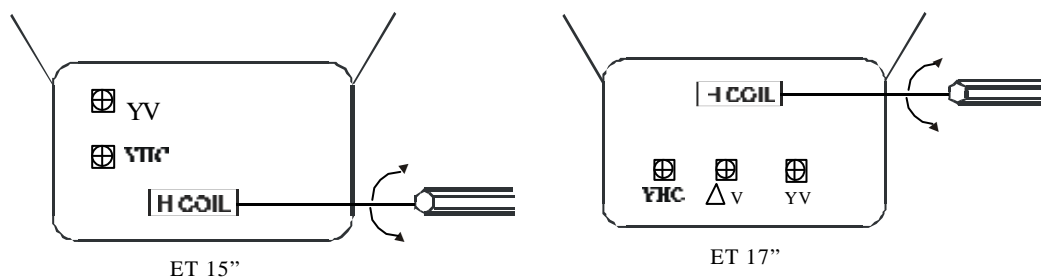
Insert wedges at the left side and right side of the deflection yoke so that the convergence will not deviate due to an unsteady deflection yoke. (Do not apply silicon adhesive to the wedges to prevent them from slipping out).

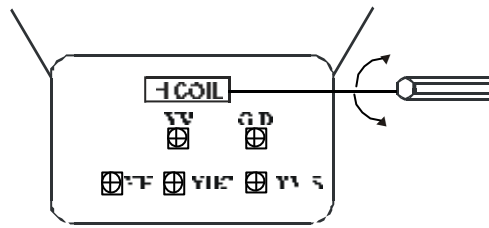
- 8-10 Check that the image is horizontal.
If needed, rotate the deflection yoke.
- 8-11 Recheck the purity adjustment. If purity was adversely affected repeat the purity adjustment, then recheck convergence when finished.
- 8-12 Retighten the deflection yoke fastening screw. Do not overtighten the screw, as this can damage the CRT.
Tightening torque: 20 ± 2 kgf.cm
- 8-13 Align the horizontal line convergence at the center of the screen with the Differential coil (See STEP-6 in figure for examples).
- 8-14 Align the horizontal line convergence at the corner and of the screen with the Differential resistor VR-YV. (See STEP-7 in figure for examples.)
- 8-15 Align the center vertical line convergence at the corner of the screen with the Vertical Isotropic Astigmatism resistor VR-YH (See STEP-8 in figure for examples).
- 8-16 Align the center vertical line convergence at the corner of the screen with the vertical ISO tropic astigmatism resistor VR-YH (See step-9 in figure for examples for 19" only).
- 8-17 Recheck convergence at the center of the screen. If needed, realign with the Four-pole magnet A and the Six-pole magnet.
- 8-18 Insert wedges as shown in STEP-9 of figure (at the top, bottom, and right side of the deflection yoke). Secure them with silicon adhesive and polyester tape. Remove any temporary wedges while keeping convergence aligned.
- 8-19 If the convergence on the fringe areas is still not acceptable, place one or more Permalloys around the funnel to achieve the best effect. Then press these Permalloys onto the funnel. Verify convergence around all edges of the screen. (See STEP-10 in figure for examples).

NOTE

In the above step, do not place the Permalloys closer than 20 mm from the HV anode cap. Do not tape them over any paper labels or secure them with silicon adhesive.

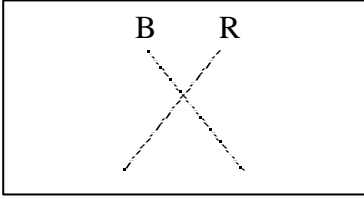
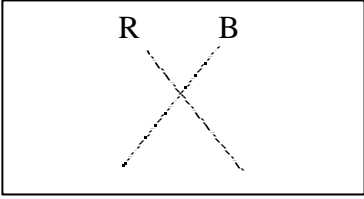
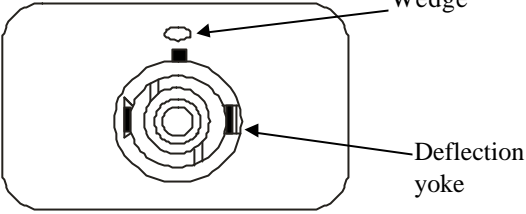
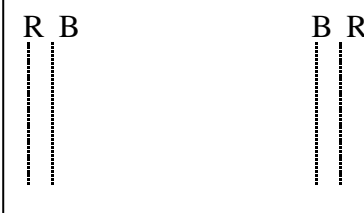

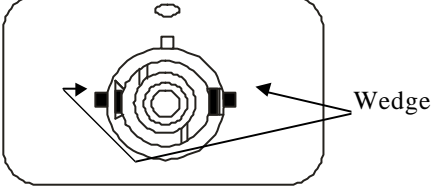
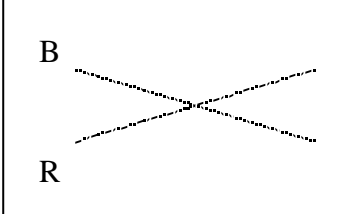
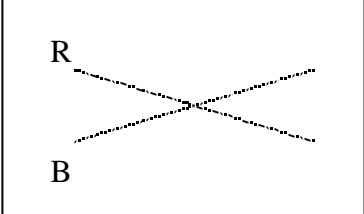
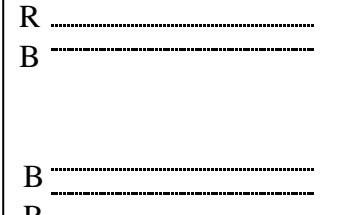
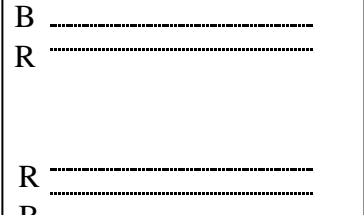
- 8-20 After completion of adjustment, apply locking paint to the movable portions of the deflection and convergence yokes to secure them.
- 8-21 Make adjustment so that the value of white window pattern from the signal generator is below that under the condition of 100 cd/m^2 brightness at the standard condition.

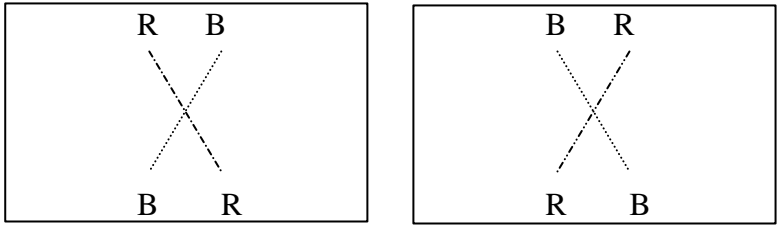
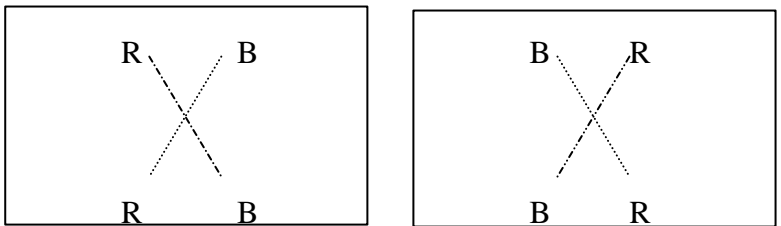
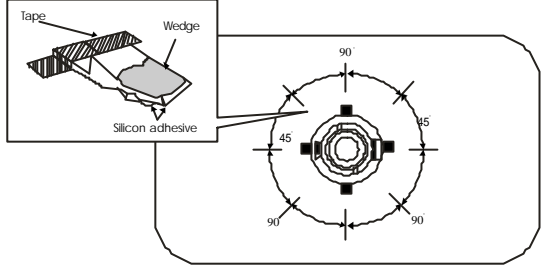
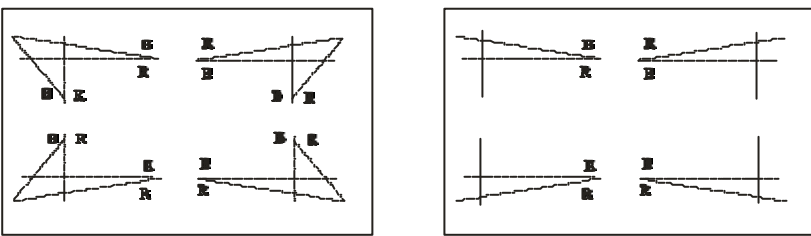




ET 19"

Adjustment part	Misconvergence pattern Wedge inserting position
Four-pole magnet A	<p style="text-align: center;">STEP-1</p> <div style="display: flex; justify-content: space-around;"> <div data-bbox="552 712 916 904"> </div> <div data-bbox="962 712 1326 904"> </div> </div>
Six-pole magnet	<p style="text-align: center;">STEP-2</p> <div style="display: flex; justify-content: space-around;"> <div data-bbox="552 1037 916 1229"> </div> <div data-bbox="962 1037 1326 1229"> </div> </div>
Four-pole magnet B	<p style="text-align: center;">STEP-3</p> <div style="display: flex; justify-content: space-around;"> <div data-bbox="552 1357 916 1550"> <p style="text-align: center;">Beams are twisted lefthand</p> </div> <div data-bbox="962 1357 1326 1550"> <p style="text-align: center;">Beams are twisted righthand</p> </div> </div> <p style="text-align: center;">for example (lefthand)</p> <div style="display: flex; justify-content: space-around;"> <div data-bbox="552 1682 916 1852"> <p style="text-align: center;">with four-pole magnet B</p> </div> <div style="text-align: center;">→</div> <div data-bbox="962 1682 1326 1852"> <p style="text-align: center;">with four-pole magnet A</p> </div> </div>

<p>Deflection yoke</p>	<p style="text-align: center;">STEP-4</p> <div style="display: flex; justify-content: space-around;"> <div style="text-align: center;">  <p>Tilting the yoke up</p> </div> <div style="text-align: center;">  <p>Tilting the yoke down</p> </div> </div> <div style="text-align: center; margin-top: 20px;">  <p>Wedge</p> <p>Deflection yoke</p> <p>Rear view of the CRT</p> </div>
<p>Deflection yoke</p>	<p style="text-align: center;">STEP-5</p> <div style="display: flex; justify-content: space-around;"> <div style="text-align: center;">  <p>Tilting the yoke left</p> </div> <div style="text-align: center;">  <p>Tilting the yoke right</p> </div> </div> <div style="text-align: center; margin-top: 20px;">  <p>Wedge</p> <p>Rear view of the CRT</p> </div>
<p>Differential coil</p>	<p style="text-align: center;">STEP-6</p> <div style="display: flex; justify-content: space-around;"> <div style="text-align: center;">  </div> <div style="text-align: center;">  </div> </div>
<p>Differential resistor VR-YV (Δ V)</p>	<p style="text-align: center;">STEP-7</p> <div style="display: flex; justify-content: space-around;"> <div style="text-align: center;">  </div> <div style="text-align: center;">  </div> </div>

<p>Differential resistor VR-YHC</p>	<p style="text-align: center;">STEP-8</p> 
<p>Differential Resistor VR-YH</p>	<p style="text-align: center;">STEP-9</p> 
	<p style="text-align: center;">STEP-10</p>  <p style="text-align: center;">Wedge spacing and how to tape</p>
<p>Permalloy</p>	<p style="text-align: center;">STEP-11</p> 

MONITOR INSPECTION STANDARDS

1. Signal level and input impedance

1.1 Video Signal level

This CRT display is adjusted at the factory using 0.7Vpp Video Signal. Black level is 0 V.

1.2 Sync Signal level

H/V Separate, H/V Mixed: TTL level.

1.3 Input impedance

Video input: 75

Sync input: 1k

2. Display performance

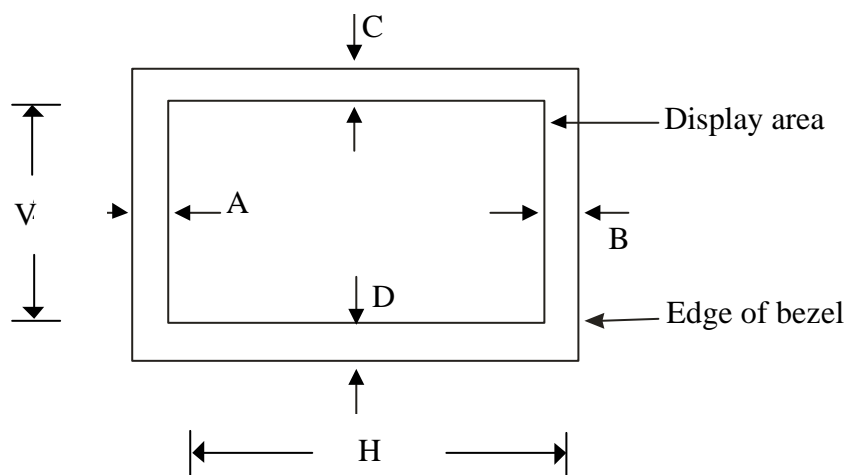
2.1 Display area

Preset timing

CRT Size	15"	17"	19"
Mode	4	5	5
Width	270	300	350
Height	202	225	262
Range	± 5mm	± 5mm	± 5mm

2.2 Centering

The display centering can be adjusted within the center of bezel by external controls .



	15"	17"	19"
H	270	300	350
V	202	225	262

2.3 Distortion

Trapezoid

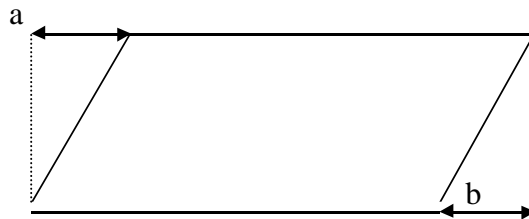
| AC-BD | 2 mm

| AB-CD | 2 mm



Parallelogram

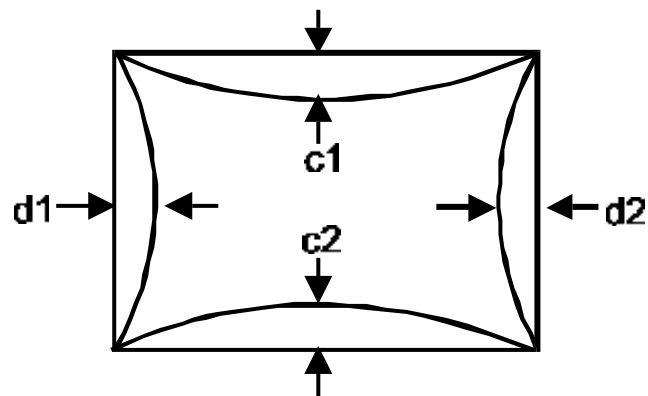
a, b 2mm



Pincushion and Barrel

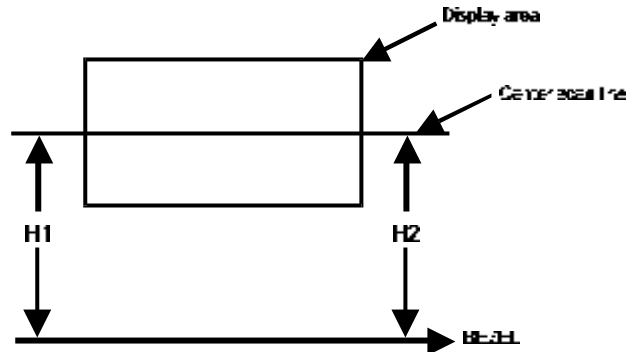
| c1 | , | c2 | 1.5 mm for Pincushion and Barrel

| d1 | , | d2 | 2.0 mm for Pincushion and Barrel.



2.4 Rotation

| H1-H2 | 2.0 mm



2. Primary Test Mode 800 × 600 at 85Hz (for 15")

3. Primary Test Mode 1024 × 768 at 85Hz (for 17" and 19")

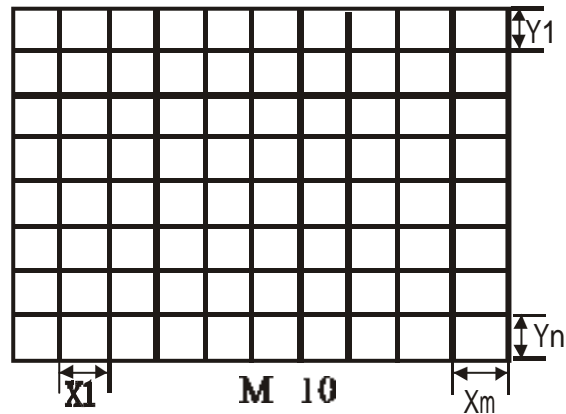
Horizontal Linearity 5%

Vertical Linearity 5%

All other modes

Horizontal Linearity 7%

Vertical Linearity 7%



<Conditions>

Display image-----crosshatch pattern

Maximum and minimum values should not be adjacent to each other.

$$\text{Calculation:H/V-Linearity} = \frac{\text{Max-Ave}}{\text{Ave}} \times 100$$

2.6 General performance

2.6.1 Video output

Bandwidth : 65 MHz (Typ.) for 15"

Bandwidth : 100MHz (Typ.) for 17" and 19".

2.6.2 Luminance

Value	Conditions	Display Image
0.06 Ft-L	Brightness at max. Contrast at min.	White full flat field
50 FL + 5/-10 FL	Brightness at cut off. Contrast at max.	50 mm × 50mm in the center of Video pattern
30FL+4 / -2Fl	Brightness at cut off. Contrast at max.	White full flat field
Specified by 9300k+27 MPCD		

2.6.3 Luminance uniformity

Luminance uniformity 75%

<Conditions>

Luminance uniformity shall be determined by the following formula:

$$\frac{\text{Luminance of Lowest corner}}{\text{Luminance of Center}} \times 100\%$$

2.6.4 Display area regulation

	Display area variation	Range of variation
Due to Luminance	within 1.0%	26~103cd/m ² (white flat field)
Due to Power Supply	within 0.5%	AC:90-132V or 198-264V
Due to Temperature	within 1.0%	20 ± 20

2.6.5 Color Point

<Conditions>

Display image: White flat field at the center of the display area.

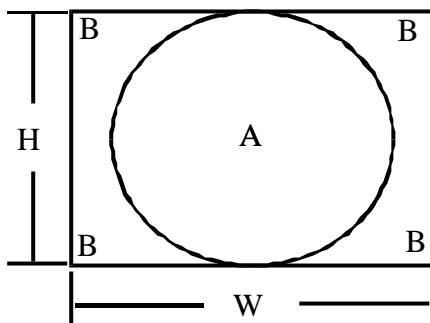
Luminance : Brightness Detent point.

Contrast	20 Ft-L	5F Ft-L
Value	9300K+27MPCD x=0.283 ± 0.020 y=0.297 ± 0.020	9300K+27MPCD x=0.283 ± 0.020 y=0.297 ± 0.020

2.6.6 Misconvergence

Center area display (A):0.3mm (Max.)

Corner area display (B):0.4mm (Max.)



<Conditions>

Display image : Crosshatch pattern mixed with R,G and B colors.

Convergence gauge: KLEIN CM7AG or equivalent.

Display area : 270 × 202mm for 15"

Display area : 300 × 225mm for 17"

Display area : 350 × 262mm for 19"

Display area : 317 × 237mm for Atronic 17" mode 4 and Bally 17" mode 1~7.

Display area : 356 × 264mm for Bally 19" mode 1~7.

Display area : 358 × 268mm for SEGA 19" mode 8~9.

2.6.7 Purity

Conspicuous mislanding shall not be visible within display area at a distance of 60 cm from CRT surface.

<Conditions>

Display image: White flat field

Luminance : Contrast max, Brightness

Display area : 270 × 202mm for 15"

Display area : 300 × 225mm for 17"

Display area : 350 × 262mm for 19"

Display area : 317 × 237mm for Atronic 17" mode 4 and Bally 17" mode 1~7.

Display area : 356 × 264mm for Bally 19" mode 1~7.

Display area : 358 × 268mm for SEGA 19" mode 8~9.

2.6.8 White Uniformity

xa-xc ± 0.015

ya-yc ± 0.015

xa:x coordinate at the CRT center

xc:x coordinate at any other point

ya:y coordinate at the CRT center

yc:y coordinate at any other point
Display area : 317 × 237mm for Atronic 17" mode 4 and Bally 17" mode 1~7.
Display area : 356 × 264mm for Bally 19" mode 1~7.
Display area : 358 × 268mm for SEGA 19" mode 8~9.

<Conditions>

Display image : White flat field
Luminance : 25 FtL at the center of display area
Display area : 270 × 202mm for 15"
Display area : 300 × 225mm for 17"
Display area : 350 × 262mm for 19"
Display area : 317 × 237mm for Atronic 17" mode 4 and Bally 17" mode 1~7.
Display area : 356 × 264mm for Bally 19" mode 1~7.
Display area : 358 × 268mm for SEGA 19" mode 8~9.

2.6.9 Jitter

Invisible at a distance of 60 cm from CRT surface.

TROUBLESHOOTING

Problem	Suggestion (S)
No picture	Your touchmonitor may not be getting power. Make certain that your power strip is plugged into the wall socket and that the PC and touchmonitor are plugged in and powered on. Test the power supply by trying different cables or a different wall outlet, or by plugging another Appliance into the outlet. If the monitor's LED is slowly flashing, the Monitor is in standby mode. Push one of the Keyboard keys. Check that the keyboard is properly connected to the computer. Ensure that your computer and video card are properly configured (consult the video card documentation).
Touchmonitor does not enter power management mode.	The video signal from the computer does not comply with VESA DPMS standard. Either the computer or the graphics adapter is not using the VESA DPMS power management function.
Screen flickers	The screen may seem to flicker when the refresh rate is less than 75Hz. See the list of recommended modes in page 5.
Color defects	If your color is not uniform, degauss the touchmonitor as described in page 13, and make sure that the touchmonitor is at least 12 inches from any other electrical equipment.
Picture appears to be ghosting	Make certain there is a good connection between the touchmonitor and the computer.
Picture is not centered.	Read about adjusting your touchmonitor picture and make the appropriate adjustments.
Picture appears "washed out"	Readjust your brightness and contrast settings.
Picture not present or severely distorted.	Verify that your video display adapter settings are formatted for the correct resolution and vertical refresh rates.
Duplicated images	A problem with your graphics adapter or touchmonitor. Contact your service representative.
"NO SIGNAL" window appears	The monitor is receiving no video signal from the PC. Ensure the PC is plugged in, turned on, and the video cable is connected.
"SIGNAL OUT OF RANGE" window appears.	The monitor is receiving a video signal which is beyond the limits of its capability. Change the PC's video display adapter settings to agree with one of the display modes given in page 5.
Touch doesn't work	Check to make sure the touchscreen cable is securely attached at both ends.

CAUTION FOR SERVICING

When servicing or replacing the CRT, high voltage sometimes remains on the anode. So, completely discharge high voltage before servicing or replacing the CRT so as to prevent a shock to the service person.

CRT Anode Discharge

1. When you check the CRT anode or replace the CRT, discharge the CRT anode to the external conductive coating (aquadag) of CRT, especially when checked right after **power turn-off**.
2. Ground one end of a jumper wire which has a resistor (30 kV < resisting pressure 100 M) and connect the other point to the CRT anode.

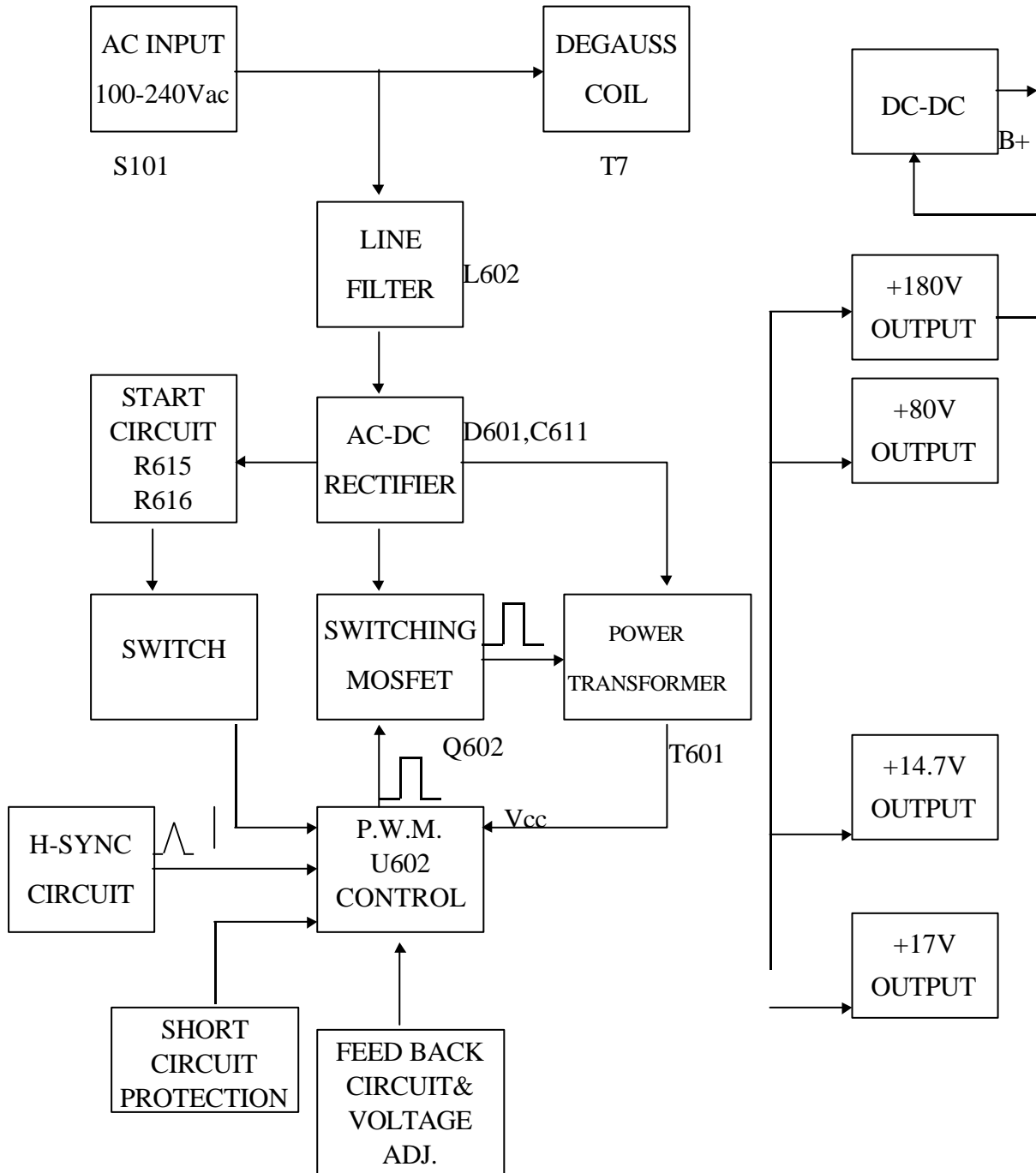
Note: Grounding must be done first.

This model has a section that does not share a common ground with the power supply section. The different sections are referred to as the hot section and the cold section in the precautions below.

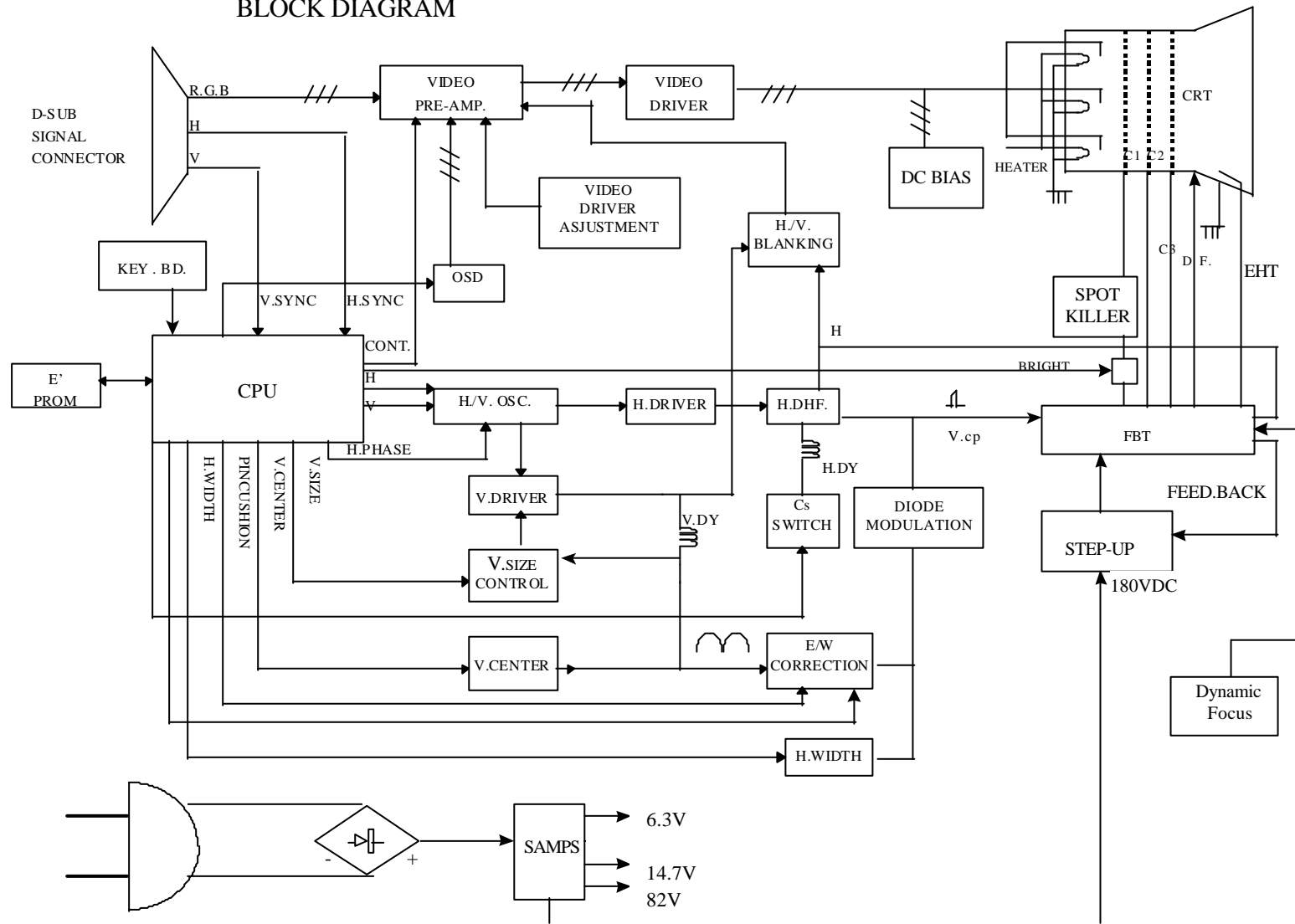
1. Do not touch the hot section and the cold section at the same time. You may be hit by an electric shock.
2. Do not short the hot section to the cold section. This could blow the fuse or damage parts.
3. Never measure the hot section and the cold section at the same time when using tools such as oscilloscopes or multimeters.
4. Always unplug the unit before beginning any operation such as removing the chassis.

BLOCK DIAGRAM

1. POWER SUPPLY BLOCK DIAGRAM



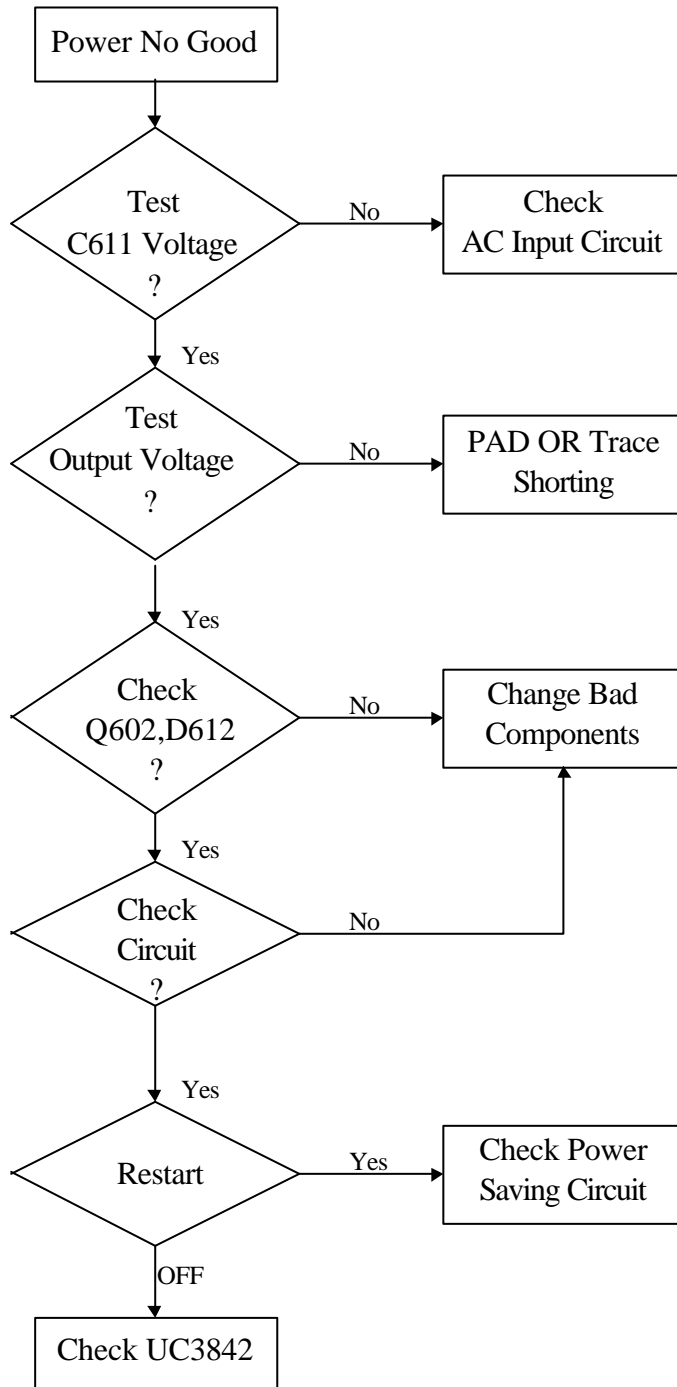
BLOCK DIAGRAM



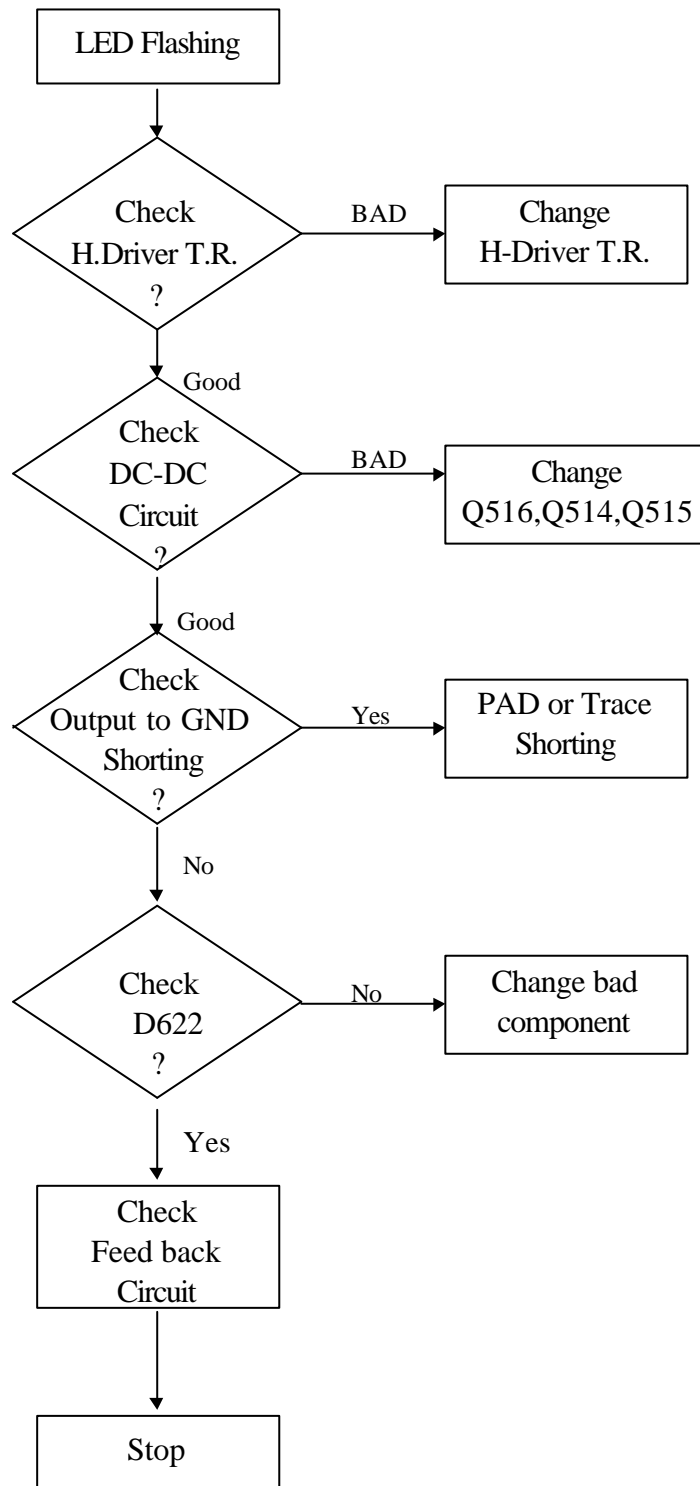
TROUBLE SHOOTING CHART

A. POWER SUPPLY CIRCUITS

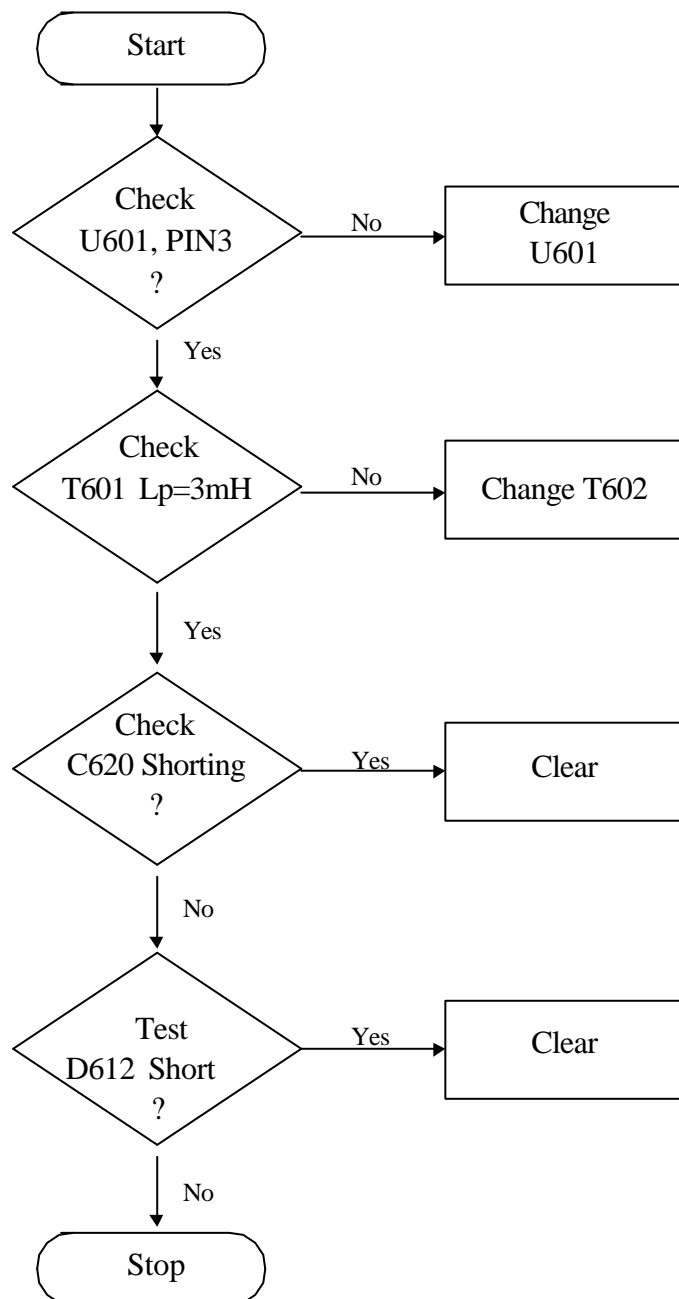
a. POWER NO GOOD



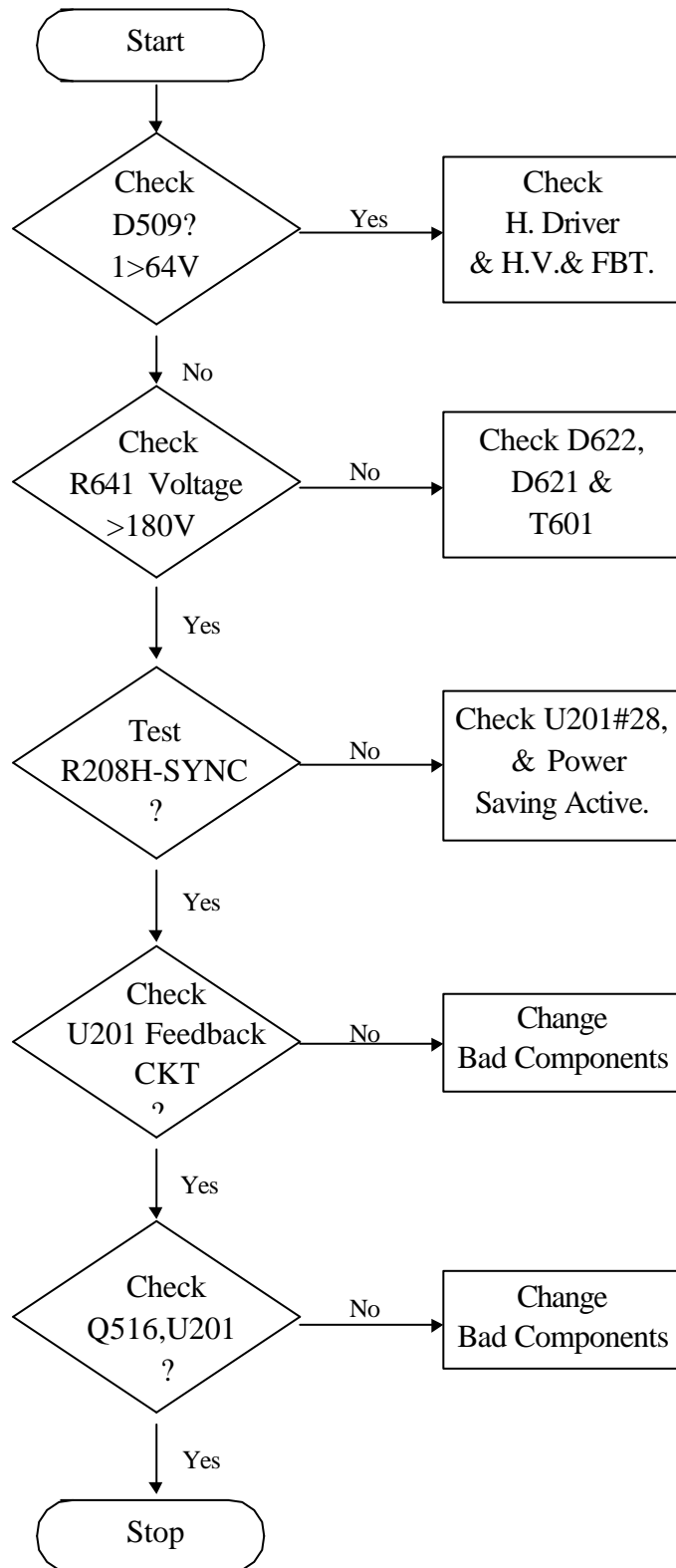
b. LED FLASHING



d. NOISE

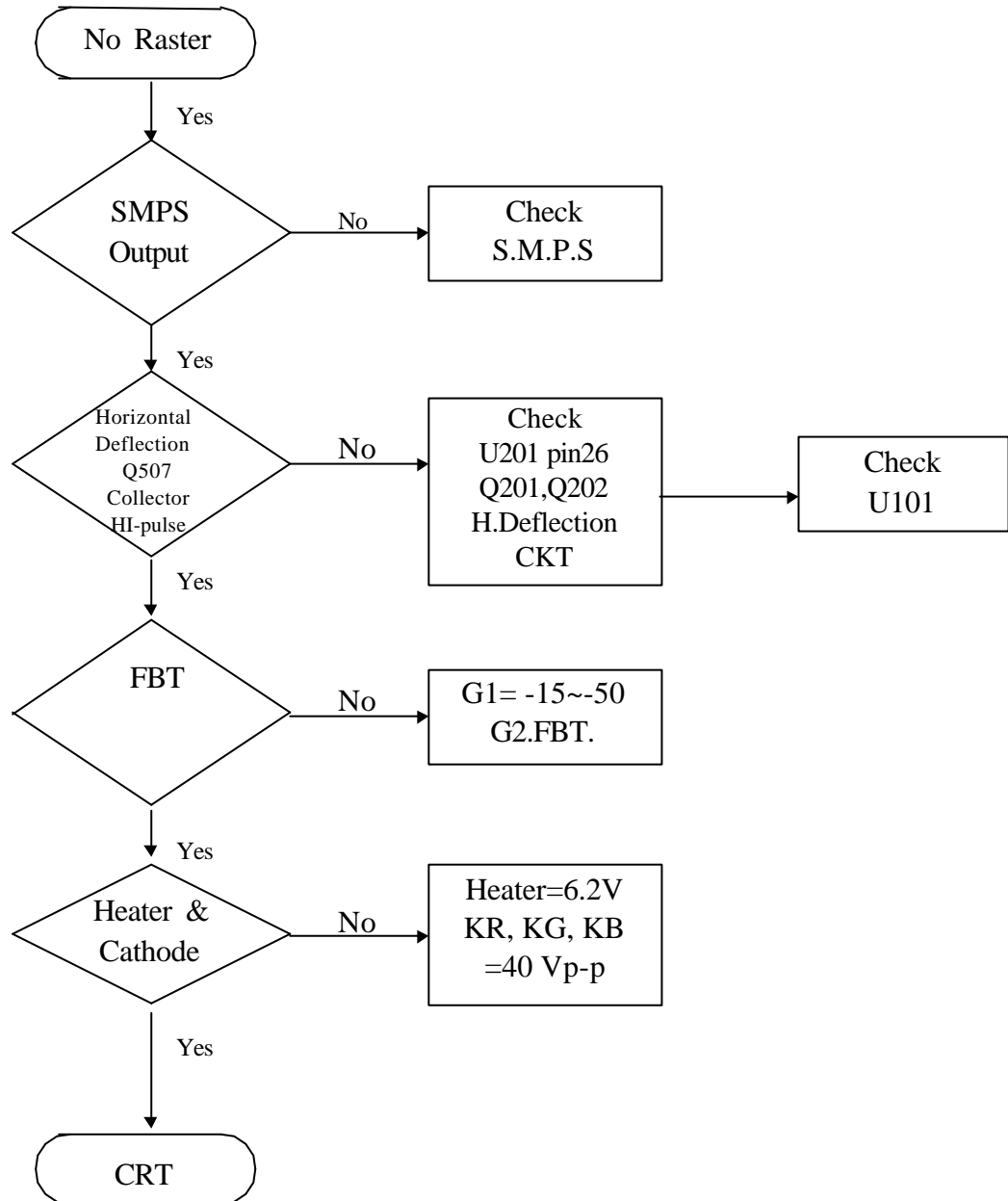


e. NO HIGH VOLATGE

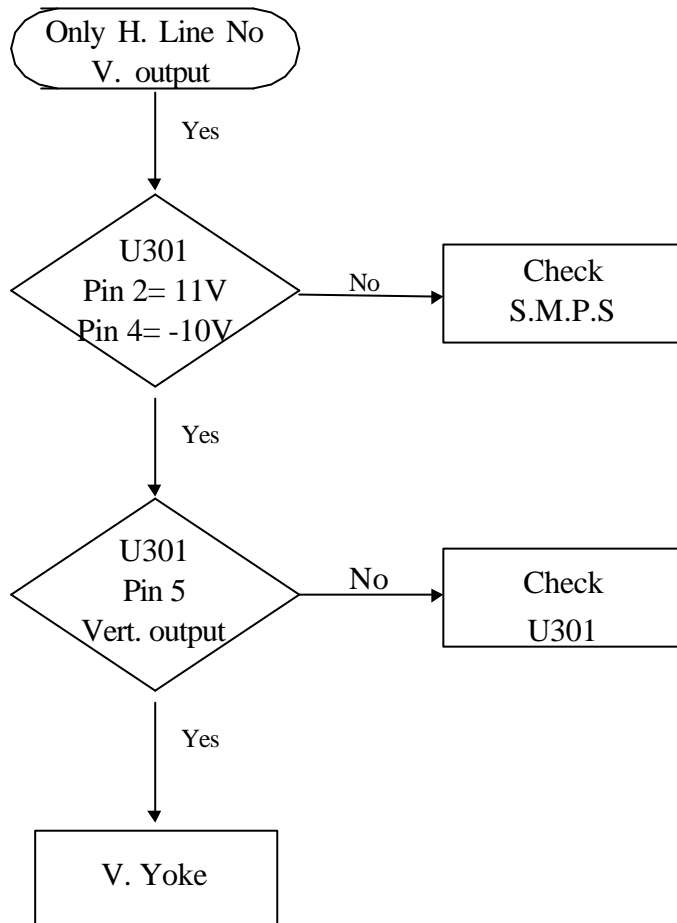


B. VIDEO CIRCUIT

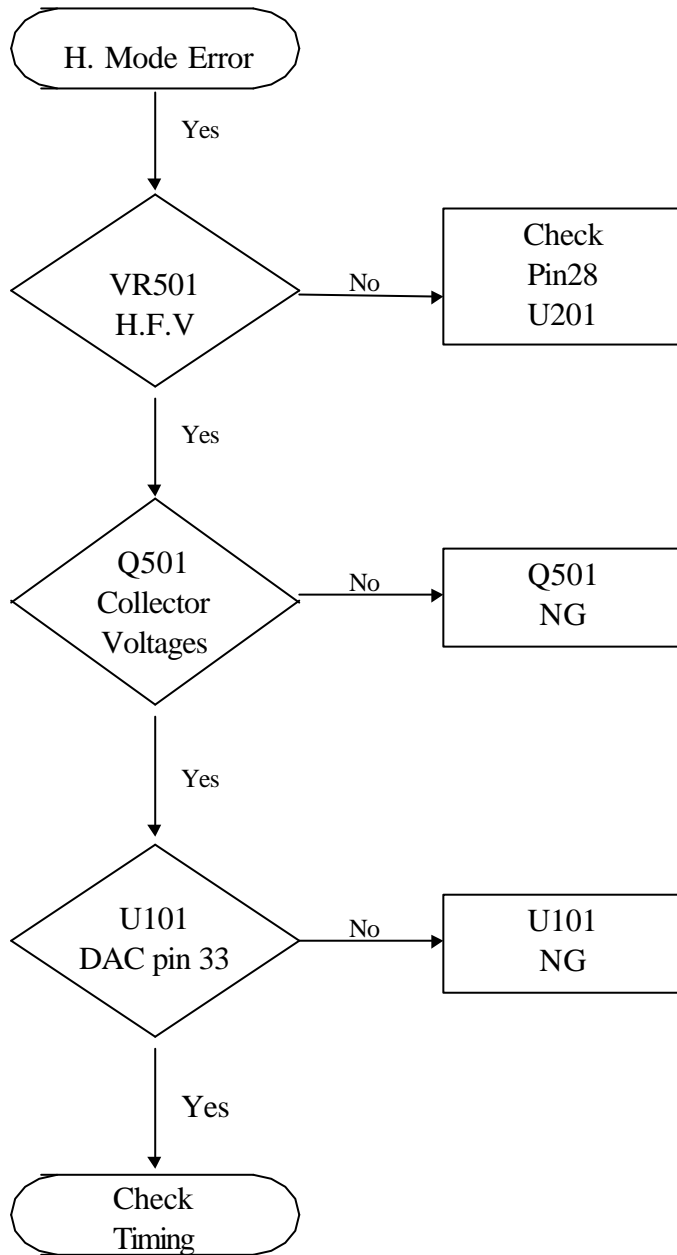
a. NO RASTER



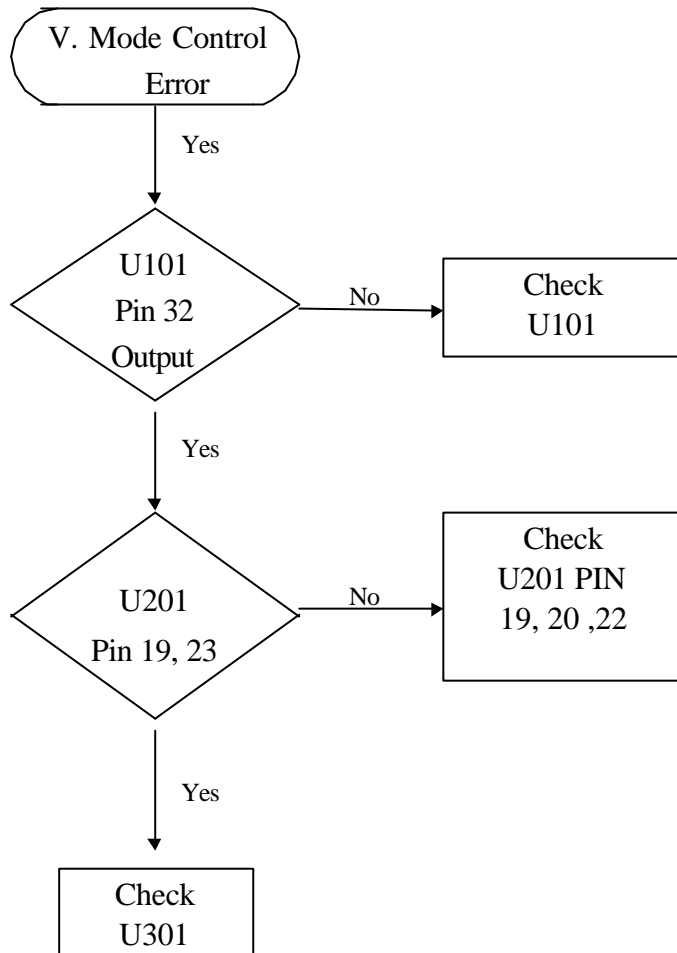
b. ONLY H.LINE NO V. OUTPUT



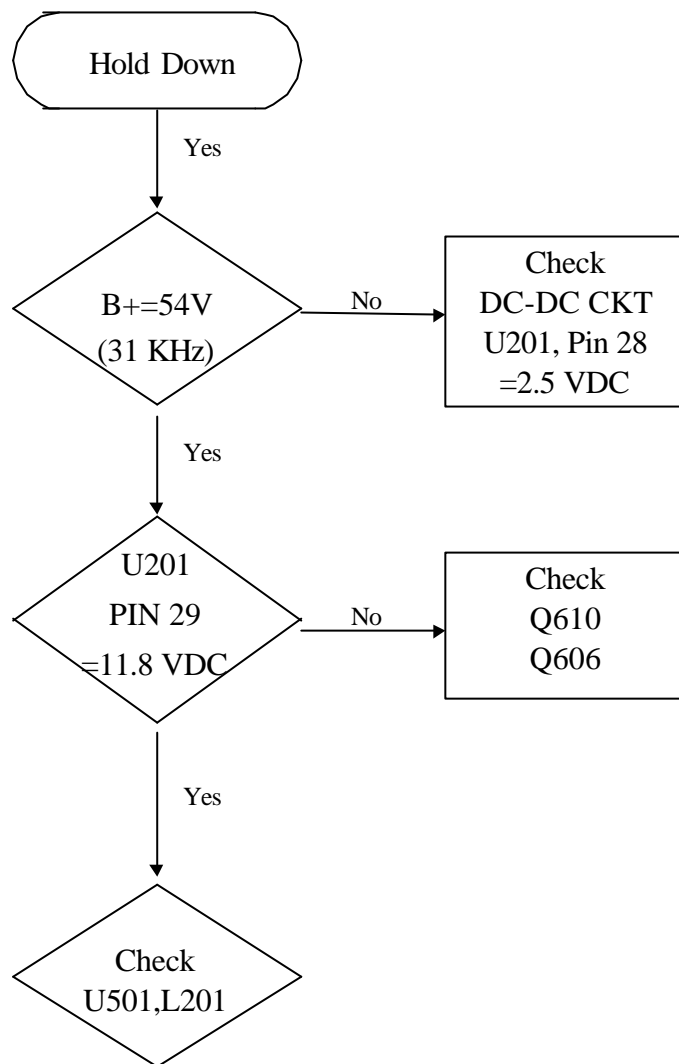
c. H.MODE ERROR



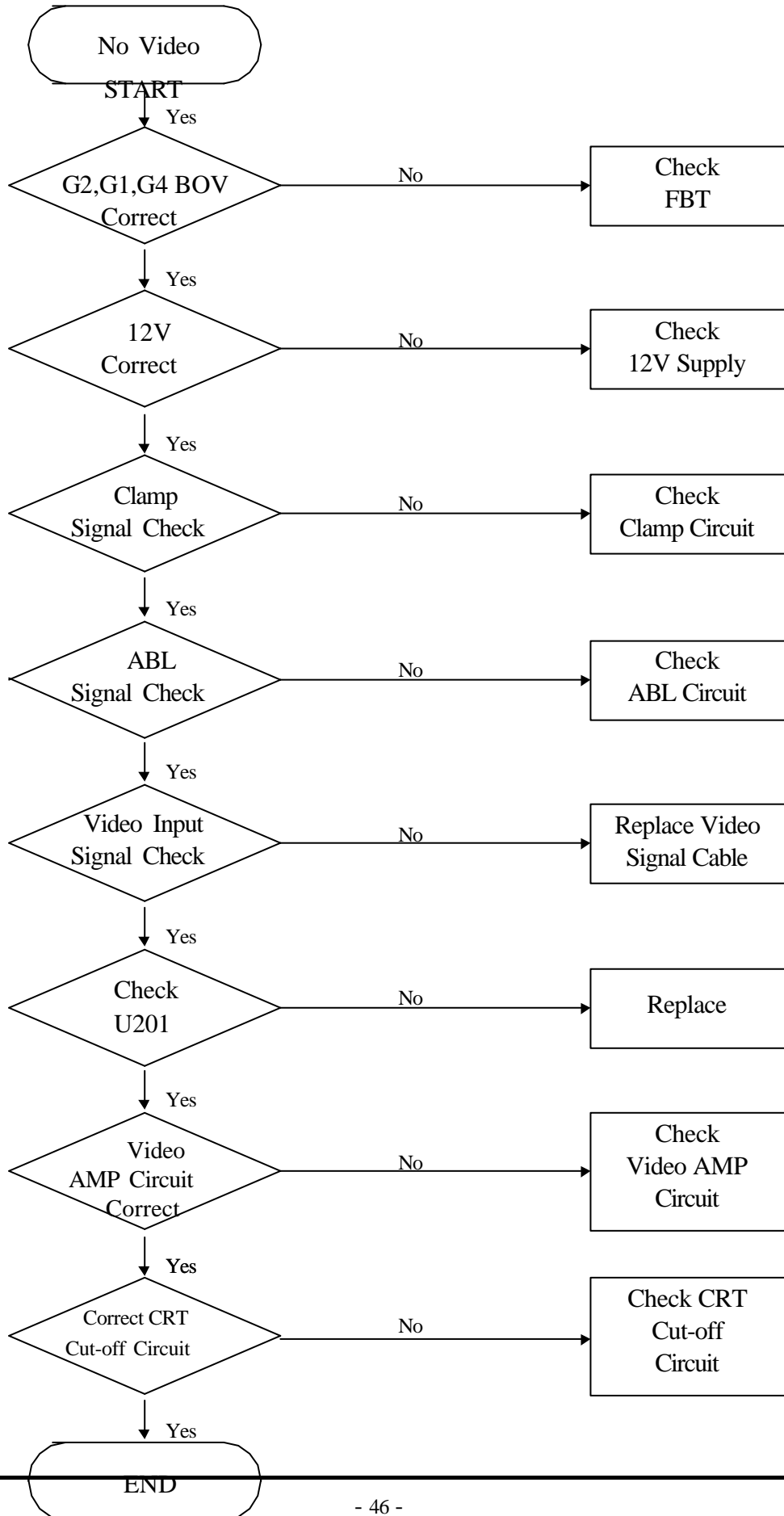
d. V.MODE CONTROL ERROR



e. HOLD DOWN



f. NO VIDEO START

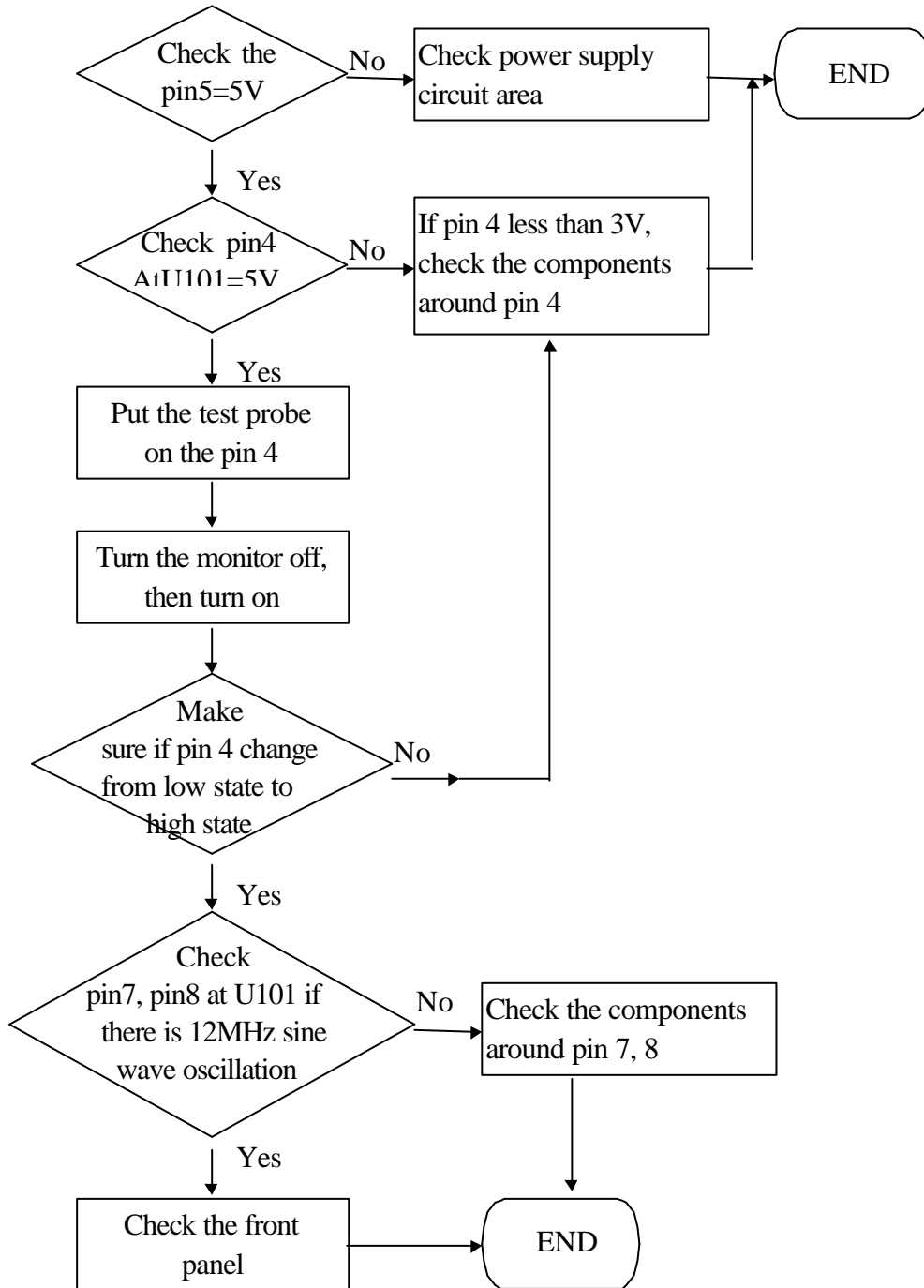


C. CPU Service Procedure

- 1.The CPU is malfunction.
- 2.The OSD is malfunction.
- 3.The data message could not be stored by E2PROM.
- 4.The CS signal from CPU is not working properly.
- 5.During mode change, there is a annoying picture appear on screen.

Solutions:

- 1.The CPU is malfunction

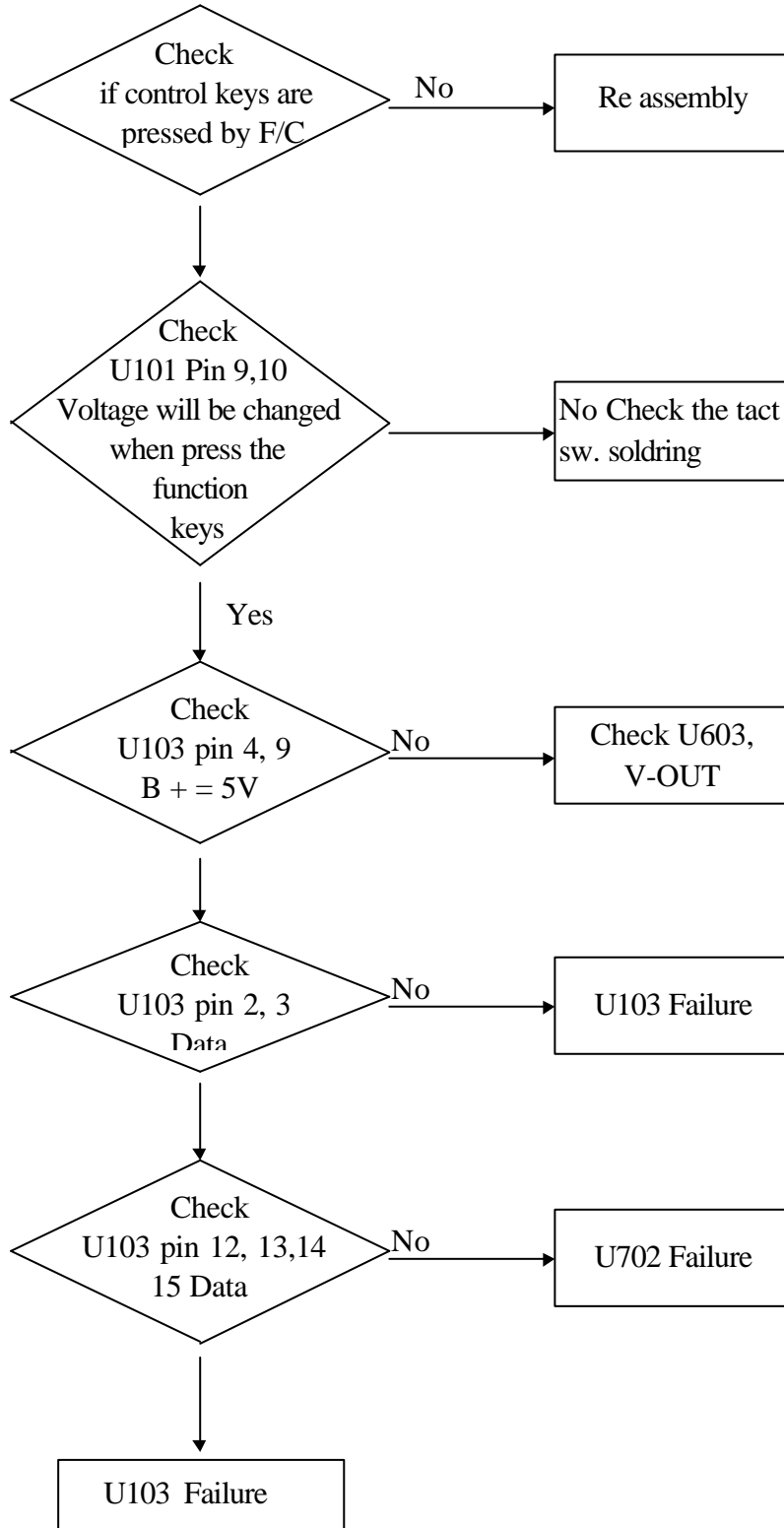


Note:

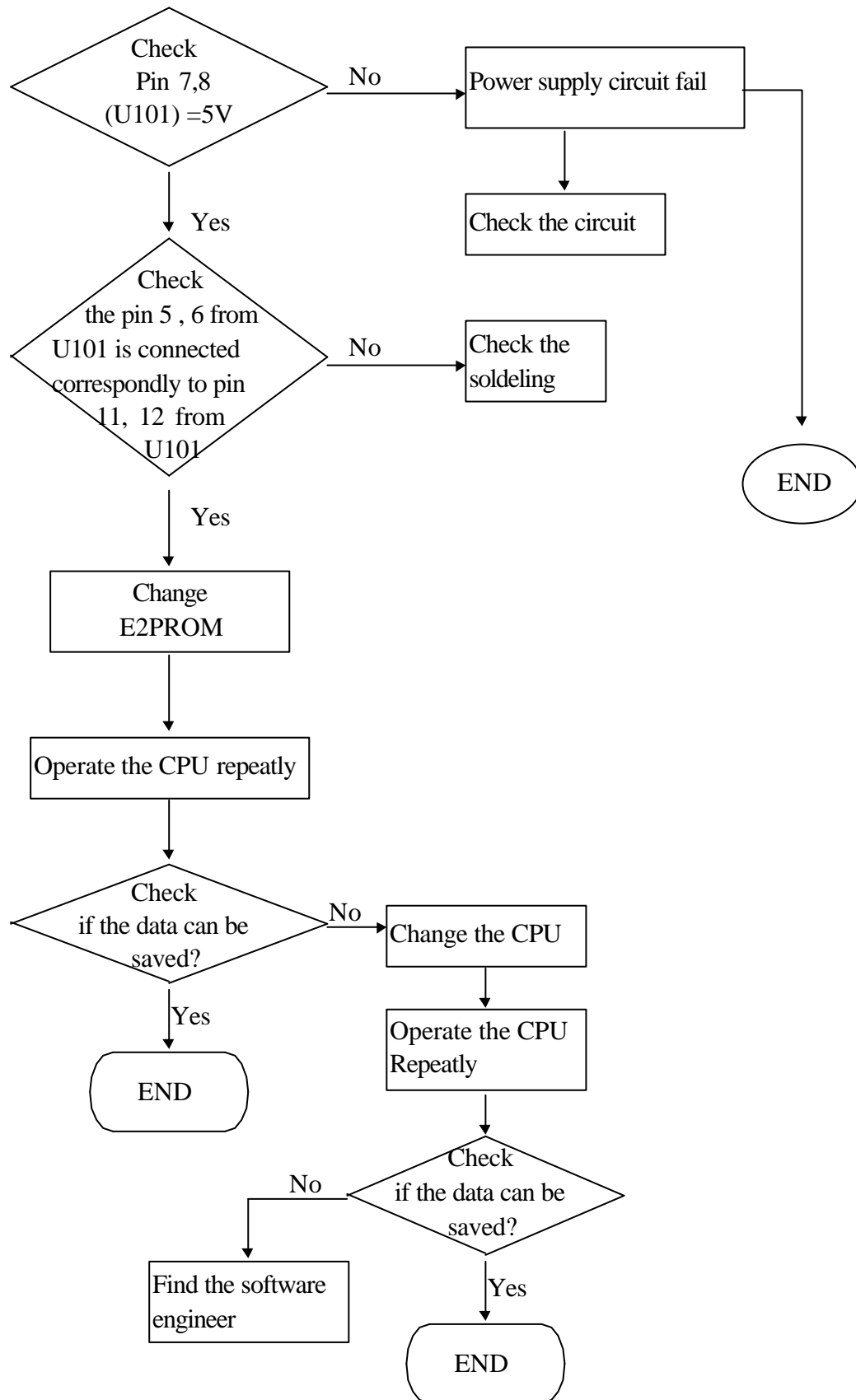
The CPU mal function is usually caused by the pin 4 not turning to low at power on (this step will initialize the CPU address to ZERO), and then pin 4 return to high state (at

least 3V), for the CPU to operate normally.

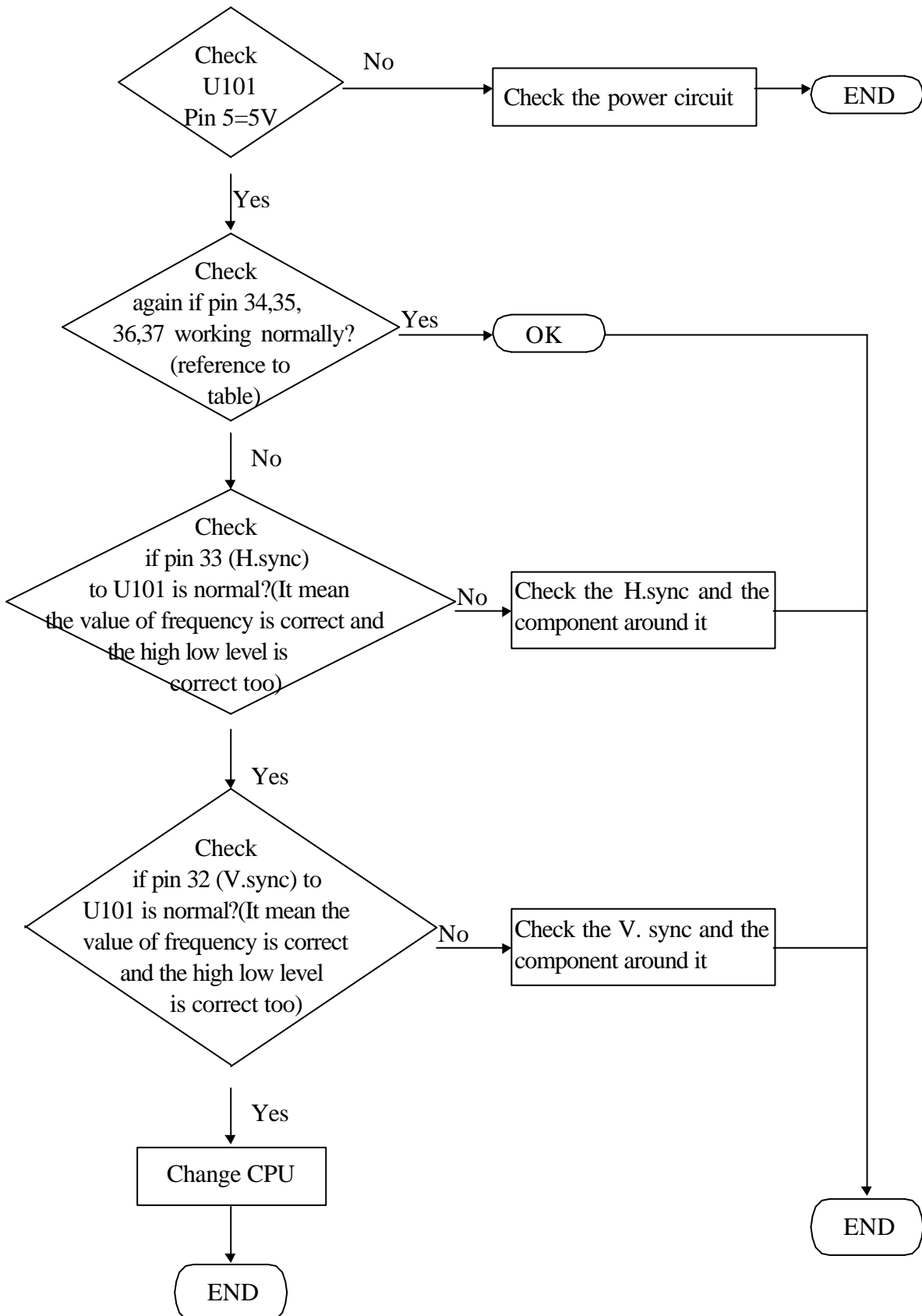
2. The OSD is malfunction



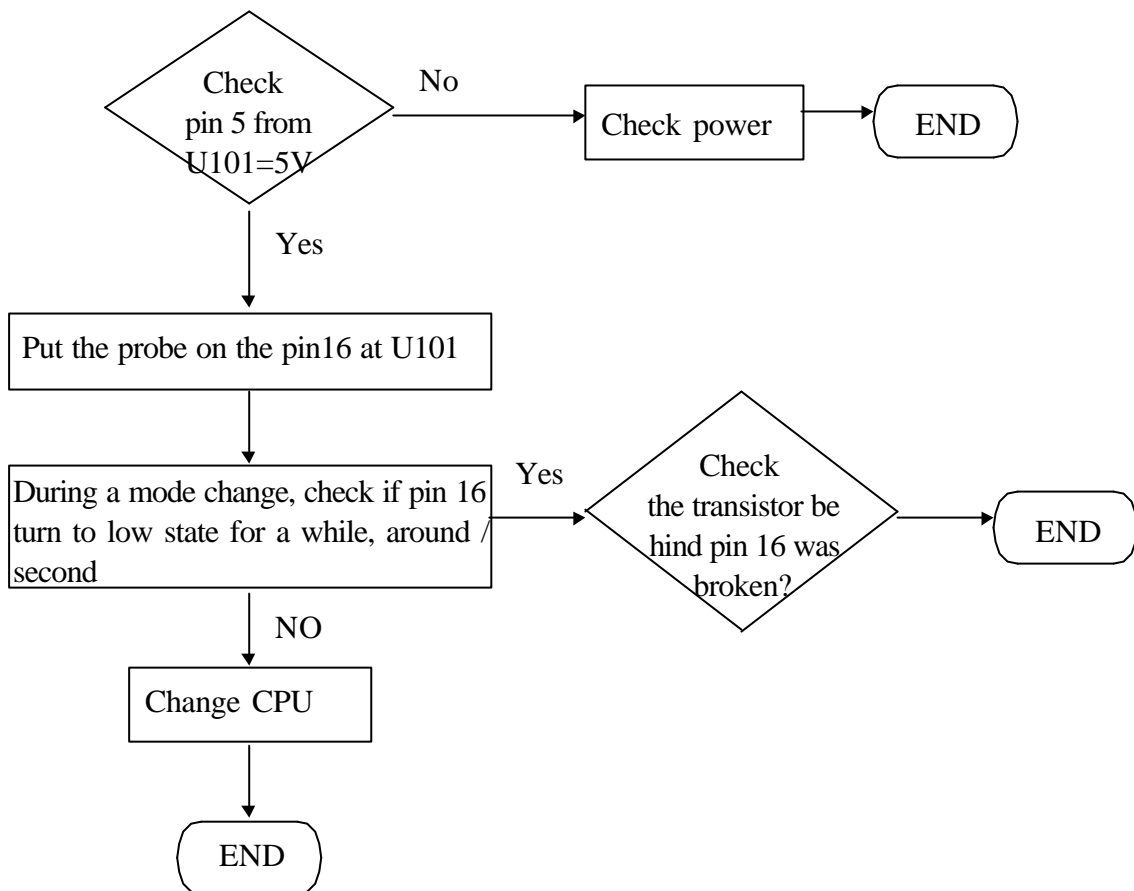
3. The data message could not be stored by E2 PROM



4. The CS signal from monitor is not working properly




5. During mode change, there is a noise picture appear on screen



Note: Pin 16 from U601 is mute signal , active low.

SERVICE COMPONENTS

Important Safety Notice

Components identified by the international symbol  have special characteristics important for safety. When replacing any of these components use only manufacture's specified parts.

RESISTOR

PART NAME & DESCRIPTION			
TYPE		ALLOWANCE	
C	Carbon	F	± 1%
F	Fuse	J	± 5%
M	Metal Oxide	K	± 10%
S	Solid	M	± 20%
W	Wire Wound	G	± 2%

CAPACITOR

PART NAME & DESCRIPTION			
TYPE		ALLOWANCE	
C	Ceramic	C	± 0.25pF
E	Electrolytic	D	± 0.5 pF
P	Polyester	F	± 1 pF
S	Styrol	J	± 5 %
T	Tantalum	K	± 10 %
PP	Polypropylene	L	± 15 %
		M	± 20 %
		P	+100%-0%
		Z	+80%-20%

ET15

ET1587C-4SWA-1, ET1587C-ONWA-1 , ET1545C-4SWE-1 , ET1545C-4UWE-1 , ET1587C-4SWA-1(TPS) Common Parts 571527303000B (ET15 NEW M/B ASSY RIVET)			
CIRCUITREF		DESCRIPTION	PART NO.
R220,R502,R623,	RES CF	1/8W 10ohm J T	211003010000
R134,R135,R136,R137,	RES CF	1/8W 100ohm J T	211003010100
R146,R147,R223,R224, R225			
R104,R106,R110,R112, R117,R131,R133,R138, R207,R226,R511,R519, R522,R523,R527,R565, R621,R635,R638	RES CF	1/8W 1K J(+/-5%) T	211003010200
R142,R228,R310,R529, R537,R631,R807	RES CF	1/8W 10K J(+/-5%) T	211003010300
R202,R227,R231	RES CF	1/8W 100K J T	211003010400
R229	RES CF	1/8W 10M J T	211003010600
R309	RES CF	1/8W 13K J T	211003013300
R156,R308,R520,R526	RES CF	1/8W 1.5K J T	211003015200
R212	RES CF	1/8W 15K J T	211003015300
R625	RES CF	1/8W 150K J T	211003015400
R210	RES CF	1/8W 1.8K J T	211003018200
R501,R508,R619,R627	RES CF	1/8W 18K J T	211003018300
R515	RES CF	1/8W 200K J T	211003020400
R230	RES CF	1/8W 2M J T	211003020500
R103,R111,R113,R114, R122,R123,R124,R125, R126,R127,R128,R143, R144,R200,R205,R206, R208,R222,R554	RES CF	1/8W 220ohm J(+/-5%) T	211003022100
R159,R232	RES CF	1/8W 2.2K J T	211003022200
R211	RES CF	1/8W 22K J T	211003022300
R145,R626	RES CF	1/8W 2.4K J T	211003024200
R503,R541	RES CF	1/8W 24K J T	211003024300
R105	RES CF	1/8W 27K J T	211003027300
R540	RES CF	1/8W 300K J T	211003030400
R539	RES CF	1/8W 330ohm J T	211003033100
R217,R516,R628	RES CF	1/8W 33K J T	211003033300
R524,R538	RES CF	1/8W 3.9K J(+/-5%) T	211003039200
R213	RES CF	1/8W 39K J T	211003039300
R632	RES CF	1/8W 390K J T	211003039400
D511,R101,R102	RES CF	1/8W 470ohm J T	211003047100
R108,R109,R115,R116, R118,R119,R120,R121, R129,R130,R132,R154, R517,R560,R561,R568, R569	RES CF	1/8W 4.7K J(+/-5%) T	211003047200
R218,R802	RES CF	1/8W 47K J T	211003047300
R209,R311	RES CF	1/8W 5.6K J T	211003056200

R203,R219,R221	RES CF	1/8W 56K J T	211003056300
R158,R521	RES CF	1/8W 680ohm J T	211003068100
R543,R570	RES CF	1/8W 6.8K J T	211003068200
R518	RES CF	1/8W 68K J T	211003068300
R633	RES CF	1/8W 750ohm J T	211003075100
R155	RES CF	1/8W 7.5K J T	211003075200
R622	RES CF	1/8W 82ohm J T	211003082000
R233	RES CF	1/8W 8.2K J T	211003082200
R507	RES CF	1/4W 100ohm J T	211103010100
R157,R204,R551	RES CF	1/4W 1K J T	211103010200
R542,R548	RES CF	1/4W 47ohm J T	211103047000
R637	RES CF	1/4W 470ohm J T	211103047100
R510	RES CF	1/4W 4.7K J T	211103047200
R201	RES CF	1/4W 680ohm J T	211103068100
R528	RES CF	1/4W 75ohm J T	211103075000
R513	RES CF	1/2W 1K J T	211203010200
R509	RES CF	1/2W 100K J T	211203010400
R601	RES CF	1/2W 1M J T	211203010500
R313	RES CF	1/2W 1ohm J T	211203010800
R307	RES CF	1/2W 1.3ohm J T	211203013800
R641	RES CF	1/2W 180K J T	211203018400
R545	RES CF	1/2W 220ohm J T	211203022100
R304A,R305,R305A, R306,R306A,R533	RES CF	1/2W 2.2ohm J T	211203022800
R301,R301A,R302, R303,R304	RES CF	1/2W 3.9ohm J T	211203039800
R636	RES CF	1/2W 680ohm J T	211203068100
R640	RES CF	1/2W 68K J T	211203068300
R639	RES CF	1/2W 680K J T	211203068400
R312	RES CF	1/2W 750ohm J T	211203075100
R512	RES CF	1/2W 82K J T	211203082300
R505	RES HIGH	1/2W 18M T	211223018600
R571	RES MF	1/4W 1M F T	212103010500
R552	RES MOF	1W 47ohm J 12.5	212501047000
R536	RES MOF	2W 100K J(+/-5%) P:15mm	212601010400
R530	RES MOF	2W 0.47ohm J 15	212601047900
R615,R616	RES MOF	2W 68K J 15	212601068300
R514	RES MOF	3W 100ohm J 20	212701010100
R617	RES MOF	3W 4.7K J 20	212701047200
R525	RES MOF	3W 68ohm J 20	212701068000
R620	RES MOF normal sizee	5W 0.27ohm J KINK P=5	212852027900
L604	RES FUSIBLE(MF)	1/4W 0.33 J T	213653033900
R504,R535	RES FUSIBLE(MF)	1W 100 J P=12.5	213671010100
R572	RES FUSIBLE(MF)	2W 120 J P=15	213681012100
VR501	VR SEMI-FIXED	B 20K M D=6 V 0.1W CF	221300020300
VR601	VR SEMI-FIXED	B 1K M D=6 H 0.1W CF	221400010200
R600	PTCR	9ohm DGC2R9R0Q27A 2PIN	231000009000
R602	NTCR	3A 5ohm SCK053	231103050800
R614	VARIATOR 1A/150V PANJIT	P6KE150A/5W DO-41	232500000000
SW5	ENCODER C11B2021401	FORWARD FOR ET21	232600000700
C101,C104,C114	CAP ELEC	100uF M 10V 105 TAPING	261201310100
C622	CAP ELEC	220uF M 10V 105 TAPING	261201322100
C116	CAP ELEC	470uF M 10V 105 TAPING	261201347100
C217	CAP ELEC	10uF M 16V 105 T	261202310000

C612,C635	CAP ELEC	100uF M 16V 105 TAPING	261202310100
C301,C302,C626,C629	CAP ELEC	1000uF M 16V 105 +/-20%T	261202310200
C222	CAP ELEC	220uF M 16V 105 TAPING	261202322100
C106,C111,C212,C218	CAP ELEC	47uF M 16V 105 TAPING	261202347000
C628	CAP ELEC	2200uF M 25V 105 7.5	261203122200
C619	CAP ELEC	100uF M 25V 105 T	261203310100
C502	CAP ELEC	220uF M 25V 105 TAPING	261203322100
C620	CAP ELEC	47uF M 25V 105 T (20%)	261203347000
C307	CAP ELEC	220uF M 35V 105 TAPING	261204322100
C112,C113,C223,C537	CAP ELEC	10uF M 50V 105 T (20%)	261205310000
C513	CAP ELEC	1uF M 50V 105 TAPING	261205310800
C206,C216,C225,C547, C634	CAP ELEC	2.2uF M 50V 105 TAPING	261205322800
C105	CAP ELEC	3.3uF M 50V 105 TAPING	261205333800
C505	CAP ELEC	47uF M 50V 105 TAPING	261205347000
C633	CAP ELEC	100uF M 100V 105 T	261208310100
C509	CAP ELEC	10uF M 200V 105 TAPING	261211310000
C632	CAP ELEC	100uF M 250V 105 P=7.5	261212110100
C572	CAP ELEC	0.47uF M 250V 105 T	261212347900
C611	CAP ELEC HP(25X35)	150uF M 105 400V	262204215100
C107,C108	CAP CERAMIC	22PF J 50V NPO T	271501322000
C609	CAP CERAMIC	47PF J 500V NPO T	271504347000
C121,C201,C202,C618	CAP CERAMIC	100PF K 50V Y5P T	272001310100
C120	CAP CERAMIC	1000PF K 50V Y5P T (20%)	272001310200
C227	CAP CERAMIC	220PF K 50V Y5P T	272001322100
C616	CAP CERAMIC	470PF K 50V Y5P T	272001347100
C602,C605	CAP CERAMIC	100PF K 500V Y5P T	272004310100
C531	CAP CERAMIC	220PF K 500V Y5P T	272004322100
C527	CAP CERAMIC	1000PF K 1KV Y5P T	272005310200
C614	CAP CERAMIC	150PF K 1KV Y5P T	272005315100
C540	CAP CERAMIC	220PF K 1KV Y5P T	272005322100
C532A	CAP CERAMIC	47PF K 1KV Y5P T	272005347000
C528,C533,C630	CAP CERAMIC	0.01uF M 500V Z5U T	272104310300
C503,C613	CAP CERAMIC	0.01uF M 1KV Z5U 7.5 20%	272105110300
C103,C109,C110,C115, C211,C303,C500,C500A, C501,C525,C526,C621, C623,C627	CAP CERAMIC	0.1uF Z 50V Y5V T (20%)	272201310400
C118	CAP PLASTIC	0.22uF J 50V PEI 10	281001122400
C210,C213,C215,C514	CAP PLASTIC	0.001uF J 50V PEI T	281001310200
C204,C207,C305,C306, C510,C517,C522	CAP PLASTIC	0.01uF J 50V PEI T	281001310300
C209,C226,C508,C516	CAP PLASTIC	0.1uF J 50V PEI T	281001310400
C515	CAP PLASTIC	0.012uF J 50V PEI T	281001312300
C224	CAP PLASTIC	0.15uF J 50V PEI T	281001315400
C504,C617	CAP PLASTIC	0.0022uF J 50V PEI T	281001322200
C539,C541,C801	CAP PLASTIC	0.022uF J 50V PEI T	281001322300
C518	CAP PLASTIC	0.0033uF J 50V PEI T	281001333200
C102,R140	CAP PLASTIC	0.0047uF J 50V PEI T	281001347200
C308	CAP PLASTIC	0.0068uF J 50V PEI T	281001368200
C530,C532	CAP PLASTIC	0.082uF J 50V PEI T	281001382300
C205	CAP PLASTIC	820PF J 100V PPN T	281201382100
C507	CAP PLASTIC	0.0039uF J 630V PPN 10	281204139200
C506	CAP PLASTIC	0.0047uF J 1.6KV PPS 20	281308147200

C523	CAP PLASTIC	0.00022uF 2KV PPS J 15	281309122100
C524	CAP PLASTIC	0.033uF J 250V MEF 10	281405133300
C220	CAP PLASTIC	0.15uF J 63V MEB T	281502315400
C203,C304,C512	CAP PLASTIC	0.22uF J 63V MEB T (5%)	281502322400
C219	CAP PLASTIC	0.47uF J 63V MEB T	281502347400
C535	CAP PLASTIC	0.22uF J 250V MPP 15	281602122400
C534	CAP PLASTIC	0.33uF J 250V MPP 20	281602133400
C536	CAP PLASTIC	0.43uF J 250V MPP 20	281602143400
C601	CAP X	0.22uF AC 250V/300V 22.5	291000022400
C610,C615	CAP Y1	4700PF AC 250V (AH)	291250047200
L505	LINEARITY COIL	0A 7uH ET1	321000001900
L507	COIL CHOKE	17uH	321200001300
L510	COIL CHOKE	3mH	321200003500
L602	AC LINE FILTER	35mH	321300100700
G2B,T501A,T501B	CORE	1-T-20x10x10-EM2	321500002300
T501C	CORE	1-RH-14.2X28.5X8-EM2	321500002800
L608	COIL BEAD	6mmX10mm	321503000400
J05,L102,L501,L502, L603,L606,L609,L610, L612	COIL BEAD	3.5mmX6mm	321503001000
J28,J28A,L503	CORE BEAD	3.5X9X0.8	321503001300
L601,L601A	CORE RING	35uH	321700001000
D202	COIL PEAKING	10uH K T (EC24)	323053010000
T601	TRANSFORMER	POWER UD1	331000002000
T501	TRANSFORMER	FBT ET1	331100002100
T504	TRANSFORMER	FOCUS	331250000600
T503	TRANSFORMER	COUPLING	331250000700
T502	TRANSFORMER H-DRIVER	L:53uH+/-20%,LK:160uH	331300000800
Q608	TRANSISTOR	2SA673AC	361103067300
Q201,Q503,Q506,Q515	TRANSISTOR	2SA733P	361103073300
Q610,Q611	TRANSISTOR	2SA1020Y T	361103102000
Q508	TRANSISTOR	2SC5386(HFE)	361300538600
Q101,Q202,Q203,Q204, Q504,Q511,Q514,Q523, Q524,Q525,Q603,Q606, Q607	TRANSISTOR TAPING	H945P / C945P	361303094500
Q609	TRANSISTOR	2SC1213AC T	361303121300
Q507	TRANSISTOR	2SK941	361500094100
Q501	TRANSISTOR	SSS6N60A	361550066000
Q602	TRANSISTOR	SSS7N80A	361550078000
Q513	TRANSISTOR	BF420 T	361603042000
Q502	TRANSISTOR	BF423 T	361603042300
Q516	TRS. N-MOSFET FAIRCHILD	IRFS740B 10A/400V TO220F	361700074000
Q517,Q518	TRANSISTOR	IRFS630A/CEFF630	361703063000
D502,D508	DIODE UF4005G JIT	1A/600V 50-75ns T	371203100600
D619,D619B	DIODE UF4007 JIT	1A/1000V 50-75ns T	371213101000
D101,D102,D204,D503, D505,D507,D610,D613, D618	DIODE	1N4148(1A/75V) T	371303107500
D509	DIODE (2A/400V)	UGP20G/SF20GG KINK P=20	371721200400
Q509	DIODE	BY329X-1500S 5A/1500V	371960501504
D201,D513,D612,D801	DIODE 1A/100V T	FR102/PR1002	372153100100
D516,D611	DIODE 1A/400V T	FR104/PR1004	372153100400
D609	DIODE 1A/600V T	PR1005	372153100600

D301	DIODE 1A/1KV T	FR107/PR1007	372153101000
D617	DIODE	HER304 3A/300V KINK P=20	372201300325
D615	DIODE	HER305 3A/400V KINK P=20	372201300425
D621	DIODE 3A/800V KINK P=20	UF3006	372201300824
D622	DIODE 3A/1KV KINK P=20	UF3007	372201301024
D517	DIODE 1A/100V T	HER102/UF1002	372203100100
D616,D624	DIODE 2A/400V T	HER205/UF2004	372203200400
D608	DIODE 2A/800V T	HER207/UF2006	372203200800
D601	DIODE BRIDGE	PBL406/KBL406(4A/800V)	373000400800
LED1	LED	D=3mm GREEN L-34GD	373502100300
D605	DIODE ZENER HITACHI	1/2W HZ4C3 DO-35 T	375003043300
D610A,R804	DIODE ZENER	1/2W HZ5C2 5.0V-5.2V T	375003053200
D510	DIODE ZENER	1/2W HZ15-2 T	375003150200
D619A	DIODE ZENER	1/2W HZ20-3 20.2-21.1 T	375003200300
D515	DIODE ZENER	1/2W HZ36-2 T	375003360200
D504	ZENER DIODE	1W Z150A 150V 10% T	375503015100
U301	IC	TDA8172 vertical process	381300017210
U201	IC	TDA9113	381400011310
U602	IC	UC3842AM 8	382500084227
U501	IC	HA17812 3	382600081201
Q505	IC	TL431	382660043144
U603	IC	LM2940 3	382700094005
U102	IC	AT24C04 8	384300040425
U103	IC	WT6804 16	384300080416
U101	MASK MCU ELO	UD7/TE6/ETx REV1.0	384915930116
RL601	RELAY	2P1T 12V FTR-F4AK012T	432002101000
	PCB MAIN CEMI-1 T1.6/1oz	246x249mm REV.01 ET15/17	441000470100
U101A	IC SOCKET	40PIN 2.54mm D=15.24	450050404000
F601A	CLIP FUSE	5X20mm t=0.4mm	450065200200
TB2	GT PIN	R=1.56mm l=13mm	452001561300
R525A,R525B	GT PIN	R=2.36mm L=20mm	452002362000
T12	BASE PIN	2.0mm 2PIN	452072000200
T10,T8	BASE PIN	2.5mm 2PIN	452102500200
T3	BASE PIN	2.5mm 5PIN	452102500500
T7	BASE PIN	5-7.5mm 2PIN A1561WV2-2P	452205750200
T5	BASE PIN	8-10mm 4PIN JS-1122-4	452258100400
DOWNLOAD	PIN HEADER	2.54mm 2PINX1ROW	452802500200
T11A	PIN HEADER L=4.0mm	2.54mm 6PINX1ROW RA	452862500600
T9A	PIN HEADER L=4.0mm	2.54mm 13PINX1ROW RA	452862501300
T4A	BASE PIN	2.0mm 6PIN RA	453012000600
F601	FUSE GLASS TUBE 5TT3 BEL	3A 250V S-B 5*20 UL/CSA	471100030000
F602,J21	FUSE PICO	2A 125V F-B 251	471503020000
X101	CRYSTAL	12MHZ (HC-49/U)	473000120000
U301T	SILICON INSULATOR	TO-220 13mmX18.5mm	475000100100
Q602P	SILICON RUBBER TO-2025A	20mmX25mmx0.45mm	475000200200
Q602N	TRANSISTOR COVER	TR-09	475050000100
W502	WIRE 1500#18 BLK	SRA/ST0(SLEEVE) L=180mm	512006401800
G2	WIRE SVF1/1032#22 WHITE	L=330	523018593300
S101	WIRE ASSY	AC CONNECTOR 3PIN ELO	531000301100
T6	WIRE ASS'Y 2651#28	2mm-6/2mm-6 L=240mm	531000601200
T4	WIRE ASS'Y 2651#28X6C	6P-6P(3,4 ROSS)L=1000mm	531000601900
T2	WIRE ASSY L=330mm	2mm-9/2mm-9 2651#28	531000900800
W202	SIGNAL CABLE UL20279X13C	DSUB-15/XHP-5-7 L=280mm	531310200300

T1	JUMPER WIRE	PITCH=5mm	531400005000
D803,D804,J01,J13, J15,J16,J31,J37,J38, J39,J40,J42,J43,J46, L611,R148,R149, R153,R574,R803	JUMPER WIRE	PITCH=7.5mm	531400007500
J02,J06,J10,J11,J17, J18,J19,J22,J25,J26, J29,J30,J32,J33,J48, L101,L508,R613,R624	JUMPER WIRE	PITCH=10mm	531400010000
J12,J20,J23,J24,J34, J36,R506,R534	JUMPER WIRE	PITCH=12.5mm	531400012500
J04,J07,J08,J09,J14, L504	JUMPER WIRE	PITCH=20mm	531400020000
R620A	TUBE HOT-SHRINK UL/CSA	D=9X0.25mm L=30mm	531509003000
G2A,G2C	CABLE TIE PLT1M	L=100mm 7130K12	532000001000
	ET15 NEW M/B ASSY RIVET	ET15	571527303000B
U301P	TRANSISTOR WASHER	PIN GOOD 604S	712000300101
5S01	BRACKET	BACK (ELO)	720114300103
5S05,5S06	BRACKET	FOOT (ELO)	720114400301
5S07	BRACKET	FBT (ET1)	720120500101
5S03	HEAT SINK	SIDE (R) (ELO)	730102500401
5S02	HEAT SINK	SIDE (L) ET15	730102700101
Q516N	HEAT SINK	60X24X30.5 18mm	730401900101
5S02M,5S03M	SCREW	CPM 3.0x8 Zn-Cc	771106050201
S101N	SCREW	CPTTB 4X8 Zn-Cc	771317050201
5S01N,5S07M, Q516M,W202N	SCREW	CPTSPB 3.0x8 Zn-Cc	771376050201
U301M	SCREW	CPTSPB 3.0x12 Zn-Cc	771376070201
5S07N	SCREW	CTTWC 4.0x10 Zn-Cc	773457060201
5S01M,Q501M, Q508M,Q509M	SCREW	CTTWE 3.0x8 Zn	773656050201
Q602M	SCREW	CTTWE 3.0X14 Zn	773656080201
W202M	SCREW R0313L41C	IOHMF 4-40 Ni	775106050301
U301N	NUT	M3.0 3.0x0.5 Zn-Cc	780203010201
C506R,Q602R, R602R	RIVET	d1.2Xd1.6Xd2.9X3.0L Cr	790800010501
L601AR,L601R, L602R,Q509R	RIVET	d1.4Xd1.8Xd3.0X3.0L Cr	790800020501
D601R,D621R,D622R, L505R,Q508R	RIVET	d1.6Xd2.0Xd4.0X3.0L Cr	790800030501
C611R,S601R, T501R,T601R	RIVET	d1.9Xd2.3Xd3.8X3.0L Cr	790800070501

**ET1587C-4SWA-1, ET1587C-ONWA-1 , ET1545C-4SWE-1 ,
ET1545C-4UWE-1 , ET1587C-4SWA-1(TPS)**

Common Parts

571527304000A (ET15 CRT BOARD ASSY)

CIRCUITREF	DESCRIPTION		PART NO.
R711,R712,R713,R714, R736	RES CF	1/8W 100ohm J T	211003010100
R710,R737	RES CF	1/8W 1K J(+/-5%) T	211003010200
R707,R735	RES CF	1/8W 10K J(+/-5%) T	211003010300
R708,R709,R722,R723, R724	RES CF	1/8W 220ohm J(+/-5%) T	211003022100
R729,R730,R731	RES CF	1/8W 220K J T	211003022400
R704,R705,R706	RES CF	1/8W 330ohm J T	211003033100
R726,R727,R728	RES CF	1/8W 56ohm J T	211003056000
R701,R702,R703	RES CF	1/8W 75ohm J T	211003075000
R738	RES CF	1/4W 100ohm J T	211103010100
R732,R733,R734	RES CF	1/4W 56ohm J T	211103056000
R742	RES CF	1/2W 100K J T	211203010400
R741	RES MOF	1W 3.3ohm J 12.5	212501033800
C704	CAP ELEC	100uF M 10V 105 TAPING	261201310100
C708	CAP ELEC	22uF M 10V 105 T	261201322000
C710	CAP ELEC	10uF M 50V 105 T (20%)	261205310000
C722,C727	CAP ELEC	2.2uF M 100V 105 TAPING	261208322800
C716,C717,C718	CAP ELEC	1uF M 100V 105 NK T	261328310800
C709	CAP CERAMIC	100PF K 50V Y5P T	272001310100
C705	CAP CERAMIC	220PF K 500V Y5P T	272004322100
C724	CAP CERAMIC	560PF K 500V Y5P T	272004356100
C711,C719,C720,C721, C726	CAP CERAMIC	0.01uF M 500V Z5U T	272104310300
C723	CAP CERAMIC	0.01uF M 1KV Z5U 7.5 20%	272105110300
C707,C712,C713,C714, C715,C725	CAP CERAMIC	0.1uF Z 50V Y5V T (20%)	272201310400
C701,C702,C703	CAP PLASTIC	0.022uF J 50V PEI T	281001322300
L704,L705,L706	COIL PEAKING	0.22uH K T	323053022900
D701,D702,D703,D704, D705,D706	DIODE	FDH400.TR D0-35	370503040000
D707,D708,D709,D711	DIODE	1N4148(1A/75V) T	371303107500
U701	IC	LM1269 NS	381000026905
U703	IC	LM2469TA	381100046905
U702	IC	LM2480 NS	381100048005
U704	IC	L7805CV 3	382600080510
CRTA	PCB MINI NECK CEM-I T1.6	1oz L100xW83mm ET15	441100300000
G2	SOCKET CRT INCHANGE	ISMM10S FOR ET15	450010001800
T704	GT PIN	R=1.56mm l=13mm	452001561300
T701	GT PIN	R=2.36mm L=14mm	452002361400
T701	BASE PIN	2.5mm 7PIN R/A	452112500700
T703	BASE PIN	2.0mm 6PIN RA	453012000600
T702	BASE PIN	2.0mm 9PIN RA	453012000900
C728,K701,K702,K703, K704	SPARK GAP	1.2KV	473500312200
J702,J703,J710	SPARK GAP	1.2KV	473500312200
J701,J705,R719,R720, R721	JUMPER WIRE	PITCH=7.5mm	531400007500
	JUMPER WIRE	PITCH=10mm	531400010000

J706,J707,J711	JUMPER WIRE	PITCH=12.5mm	531400012500
J704,J708	JUMPER WIRE	PITCH=15mm	531400015000
J709	JUMPER WIRE	PITCH=20mm	531400020000
5S04	ET15 CRT BOARD ASSY	ET15	571527304000A
U703N	VIDEO SHIELDING	GAME	720305200101
U703M	HEAT SINK	60LX24WX30.5H 13mm	730401900301
	SCREW	CTTWE 3.0x8 Zn	773656050201

ET1587C-4SWA-1

CIRCUITREF	DESCRIPTION		PART NO.
V501B	COIL DEGAUSSING 智丞	R=18.5ohm L=300mm	321400001307
V501C	COIL ROTATION	300 TURNS L=200mm	321760000200
5S04M	GASKET	20X20X20	474400000300
T10A	WIRE ASS'Y 012379	XHP2-10 1007#26 L=255mm	531000200700
V501D	WIRE ASSY 1015#22	SGF-STO L=170/110+SLEEVE	531000203300
W204	WIRE ASS'Y 012378	DSUB9-10 2651#28 L=305mm	531000900500
W201	SIGNAL CABLE 6715008201	DSUB-15PX2 1830mm HP	531311800800
W203	SIGNAL CABLE 1830mm HP	DSUB-9PX2 PE0145	531311800900
V501CA,V501CC	CABLE TIE PLT1M	L=100mm 7130K12	532000001000
V501A	CRT GROUNDING WIRE	0.12/64 1015#22 ET15	532500005400
	ET15 NEW M/B ASSY RIVET	ET15	571527303000B
	ET15 CRT BOARD ASSY	ET15	571527304000A
	ET15 CRT iTOUCH ASSY	ET15	571527402000A
	IT SERIAL CONTROL BD	351077-000	581512302001A
6F12	MINI BEZEL	ELO 15 GE LEXAN 920-116	710101100201
6F08S	KNOB	ET17 ATRONIC	711102000101
6F08N,6F08R	PCB SUPPORT R0180L2000	PINGOOD SCB-5 (ET1)	711901900101
T10B	MOVABLE TIE	PINGOOD (BST-6A)	712100800101
6F01,6F02	TOP CHASSIS	ET1 15	720113000101
6F10	BRACKET	REAR (ELO) 15	720114500102
6F06	BRANCE ANGLE LEFT	(ELO) 15	720114600101
6F07	BRANCE ANGLE RIGHT	(ELO) 15	720114700101
6F05	BRACKET	MAIN BOARD ET1 (ELO)	720115100202
6F08	BRACKET	CONTROLLER ET1 (ELO)	720115200201
6F11	ADJUSTER EAR	ELO 15"	720116800102
6F03,6F04	BRANCE	ET15	720134000101
6F22	FENCE	OSD ET1	720139800101
V501P	CAUTION LABEL	25KV	740202400101
6B01M	HI POT LABEL		740202700101
	WARNING LABEL	D.I FOR CARTON (ELO)	740203200101
V501Q	CRT LABEL	FOR CPT ASAHI	740402400101
6F08T	VR LABEL	ET1 KNOB	740402900101
	BLANK B/C LABEL	T=0.05 76X57.6	741200700101
	RIBBON	RICOH B-110A 110mmX300M	741300200101
6F07T	RUBBER PAD	ET1	760201600101
	WIPER BLADE EXTRUEDE	ELO 700307	760400100101
6F22A	SCREW	CPMSP M3.0x6 Zn-Cc	771176040201
5S05M,5S06M,	SCREW	CPMSP 4.0X8 Zn	771177050101
6F05M,6F06M,			
6F07M,6F10M			
6F03M,6F04M	SCREW	CPMSP M6X8 Zn	771179050101
6F08M,6F08P,	SCREW	CPTSPB 3.0x8 Zn-Cc	771376050201
6F08Q			
W204M	SCREW R0313L41C	IOHMF 4-40 Ni	775106050301
6F01M,6F02M	SCREW	CHTM M6X15 Zn	775119080101
6F11M	SCREW	HIM 3X8 BLK	776106050401
6F11N	NUT	M4 4.0X0.7 HEX Zn 282804	780204010101
6F11P	WASHER FLAT	P4.3X12.0X1.0Zn 285207	790100370101
1P21	PE BAG	525X425X750X0.04T	810201100201
1P11B	DRIER SILICA GEL	ELO 15 (40g)	810400300101
1P01	EPE FOAM (L)	ET1 15	810701100101

1P02	EPE FOAM (R)	ET1 15	810701200101
1P22	ZIP BAG R0273A14	210X295X0.04t	811200400101
1P11	CARTON	ET1 15 ELO	820105300101
V501E,V501F	TAPE MYLAR	3M#898 19mmX50M	820300400101
	END UNIT LABEL	(INNE)	820600500101
	BLANK LABEL	(50X35)	820604200101
	BLANK BARCODE LABEL	ELO 100X100	820606200101
2P03	QUICK START GUIDE	ET1	821103400103
2P02	GUIDE TOOLS CD	ELO REV.J	821500101101
1P06	PALLET ET15	WOODEN 100X96X13cm	821600900102
	GLUE HOT MELT CLEARSTICK	ELO (160108)	830100300101
	LOCTITE	ELO (262)	830100400101
6F12	FLUOROSYL 998307	FSD2500-16 ELO	830200300101

571527402000A (ET15 CRT iTOUCH ASSY)

CIRCUITREF	DESCRIPTION		PART NO.
V501	CRT (Asahi)	0.28mm M36AJA93X46	411502803904
V501E	ALU TAPE	3cmX20cm ELECTRIC	474363002000
	WIRE ASSY	ELO012527 ET15	531001202800
	ET15 CRT iTOUCH ASSY	ET15	571527402000A
	ADHESIVE DOUBLE TAPE	ELO W=3.14mm L=33M/R	820303300101
	GEL	602-GEL ELO 10ml	830100200301
	UV GLUE	Elo (6-20288)	830101400101
	UV INK 160173	ELO (M16979-05-N) 700g	830200100101

ET1587C-ONWA-1			
CIRCUITREF	DESCRIPTION		PART NO.
V501B	COIL DEGAUSSING 智丞	R=18.5ohm L=300mm	321400001307
V501C	COIL ROTATION	300 TURNS L=200mm	321760000200
V501	CRT (Asahi)	0.28mm M36AJA93X46	411502803904
5S04M	GASKET	20X20X20	474400000300
V501D	WIRE ASSY 1015#22	SGF-STO L=170/110+SLEEVE	531000203300
W201	SIGNAL CABLE 6715008201	DSUB-15PX2 1830mm HP	531311800800
V501CA,V501CC	CABLE TIE PLT1M	L=100mm 7130K12	532000001000
V501A	CRT GROUNDING WIRE	0.12/64 1015#22 ET15	532500005400
	ET15 NEW M/B ASSY RIVET	ET15	571527303000B
	ET15 CRT BOARD ASSY	ET15	571527304000A
6F08S	KNOB	ET17 ATRONIC	711102000101
6F01,6F02	TOP CHASSIS	ET1 15	720113000101
6F10	BRACKET	REAR (ELO) 15	720114500102
6F06	BRANCE ANGLE LEFT	(ELO) 15	720114600101
6F07	BRANCE ANGLE RIGHT	(ELO) 15	720114700101
6F05	BRACKET	MAIN BOARD ET1 (ELO)	720115100202
6F08	BRACKET	CONTROLLER ET1 (ELO)	720115200201
6F03,6F04	BRANCE	ET15	720134000101
6F22	FENCE	OSD ET1	720139800101
V501P	CAUTION LABEL	25KV	740202400101
6B01M	HI POT LABEL		740202700101
6F08T	VR LABEL	ET1 KNOB	740402900101
	BLANK B/C LABEL	T=0.05 76X57.6	741200700101
6F07T	RUBBER PAD	ET1	760201600101
6F22A	SCREW	CPMSP M3.0x6 Zn-Cc	771176040201
5S05M,5S06M, 6F05M,6F06M, 6F07M,6F10M	SCREW	CPMSP 4.0X8 Zn	771177050101
6F03M,6F04M	SCREW	CPMSP M6X8 Zn	771179050101
6F08M,6F08P, 6F08Q	SCREW	CPTSPB 3.0x8 Zn-Cc	771376050201
6F01M,6F02M	SCREW	CHTM M6X15 Zn	775119080101
1P21	PE BAG	525X425X750X0.04T	810201100201
1P11B	DRIER SILICA GEL	ELO 15 (40g)	810400300101
1P01	EPE FOAM (L)	ET1 15	810701100101
1P02	EPE FOAM (R)	ET1 15	810701200101
1P22	ZIP BAG R0273A14	210X295X0.04t	811200400101
1P11	CARTON	ET1 15 ELO	820105300101
V501E,V501F	TAPE MYLAR	3M#898 19mmX50M	820300400101
	END UNIT LABEL	(INNE)	820600500101
	BLANK LABEL	(50X35)	820604200101
	BLANK BARCODE LABEL	ELO 100X100	820606200101
2P03	QUICK START GUIDE	ET1	821103400103
2P02	GUIDE TOOLS CD	ELO REV.J	821500101101
1P06	PALLET ET15	WOODEN 100X96X13cm	821600900102

ET1545C-4SWE-1

CIRCUITREF	DESCRIPTION	PART NO.
V501B	COIL DEGAUSSING 智丞	R=18.5ohm L=300mm 321400001307
V501C	COIL ROTATION	300 TURNS L=200mm 321760000200
5S04M	GASKET	20X20X20 474400000300
T10A	WIRE ASS'Y 012379	XHP2-10 1007#26 L=255mm 531000200700
V501D	WIRE ASSY 1015#22	SGF-STO L=170/110+SLEEVE 531000203300
W204	WIRE ASS'Y 012378	DSUB9-10 2651#28 L=305mm 531000900500
W201	SIGNAL CABLE 6715008201	DSUB-15PX2 1830mm HP 531311800800
W203	SIGNAL CABLE 1830mm HP	DSUB-9PX2 PE0145 531311800900
V501CA, V501CC	CABLE TIE PLT1M	L=100mm 7130K12 532000001000
V501A	CRT GROUNDING WIRE	0.12/64 1015#22 ET15 532500005400
W001	AC POWER CORD 918850-000	1.5M BK UL MTW UNSHIELD 533000120500
W002	AC POWER CORD D57513-000	1.5M BK VDE MTW UNSHIELD 533000320800
	ET15 NEW M/B ASSY RIVET	ET15 571527303000B
	ET15 CRT BOARD ASSY	ET15 571527304000A
	ET15 CRT ITOUCH ASSY	ET15 571527402000A
	IT SERIAL CONTROL BD	351077-000 581512302001A
6F12	MINI BEZEL	ELO 15 GE LEXAN 920-116 710101100201
6F22	SQUARE BEZEL	ET1545C C57638-000 710103000101
6F08S	KNOB	ET17 ATRONIC 711102000101
6F08N,6F08R	PCB SUPPORT R0180L2000	PINGOOD SCB-5 (ET1) 711901900101
6F18F	PLASTIC WASHER	W8X4.1X2t 712001600101
T10B	MOVABLE TIE	PINGOOD (BST-6A) 712100800101
6F18D	SNAP CLIP	SN-01G 712301500101
6F18E	SNAP CLIP	SN-01GB 712301600101
6F01,6F02	TOP CHASSIS	ET1 15 720113000101
6F10	BRACKET	REAR (ELO) 15 720114500102
6F06	BRANCE ANGLE LEFT	(ELO) 15 720114600101
6F07	BRANCE ANGLE RIGHT	(ELO) 15 720114700101
6F08	BRACKET	CONTROLLER ET1 (ELO) 720115200201
6F11	ADJUSTER EAR	ELO 15" 720116800102
6F15,6F16	BRACKET-ITEM 2	ET17 SD502708 ITEM 2 720132700101
6F03,6F04	BRANCE	ET15 720134000101
6F13,6F14	BRACKET-ITEM 1	ET15 SD502709 ITEM 1 720134900101
6F17	BRACKET COVER-ITEM 3	ET15 SD502709 ITEM 3 720135100101
6F18	TOP BRACKET-ITEM 4	ET15 SD502709 ITEM 4 720135200101
6F19	MAIN BOARD COVER-ITEM 6	ET15 SD502709 ITEM 6 720135400101
6F20	BRACKET RIGHT-ITEM 7	ET15 SD502709 ITEM 7 720135500201
6F21	BRACKET LEFT -ITEM 8	ET15 SD502709 ITEM 8 720135600101
V501P	CAUTION LABEL	25KV 740202400101
6B01M	HI POT LABEL	
	WARNING LABEL	D.I FOR CARTON (ELO) 740203200101
6F10A	CAUTION LABEL	28KV 740203400101
V501Q	CRT LABEL	FOR CPT ASAHI 740402400101
6F08T	VR LABEL	ET1 KNOB 740402900101
	BLANK B/C LABEL	T=0.05 76X57.6 741200700101
	RIBBON	RICOH B-110A 110mmX300M 741300200101
6F18C	MYLAR	SR53 160X160X0.25t 750200100101
6F17B	RUBBER	GRMMT-EDGE 760301800101
	WIPER BLADE EXTRUEDE	ELO 700307 760400100101
6F18B,6F19B	SCREW	CPM M4X60 BLK 771107190401

5S05M,5S06M, 6F06M,6F07M, 6F10M,6F13A, 6F14A,6F15A, 6F16A,6F17A, 6F19A,6F20A, 6F21A 6F18A 6F03M,6F04M 6F08M,6F08P, 6F08Q W204M 6F01M,6F02M 6F11M 6F11N 6F11P 1P21 1P11B 6F19B 1P01 1P02 1P22 1P11 V501E,V501F 2P03 2P02 1P06 6F17C 6F12	SCREW SCREW SCREW SCREW SCREW R0313L41C SCREW SCREW NUT WASHER FLAT PE BAG DRIER SILICA GEL SPONGE EPE FOAM (T) EPE FOAM (B) ZIP BAG R0273A14 CARTON TAPE MYLAR END UNIT LABEL BLANK LABEL BLANK BARCODE LABEL QUICK START GUIDE GUIDE TOOLS CD PALLET ET17 GLUE HOT MELT CLEARSTICK LOCTITE GLUE FLUOROSYL 998307	CPMSP 4.0X8 Zn CPMSP M4.0X20 Zn-Cc CPMSP M6X8 Zn CPTSPB 3.0x8 Zn-Cc IOHMF 4-40 Ni CHTM M6X15 Zn HIM 3X8 BLK M4 4.0X0.7 HEX Zn 282804 P4.3X12.0X1.0Zn 285207 525X425X750X0.04T ELO 15 (40g) 25X25X18mm ET15 KIOSK ET15 KIOSK 210X295X0.04t ET1545C-4XWE-1 3M#898 19mmX50M (INNE) (50X35) ELO 100X100 ET15/17/19 KIOSK ELO REV.J WOODEN 106X104X13cm ELO (160108) ELO (262) CHEMITSEAL Q-706T FSD2500-16 ELO	771177050102 771177100201 771179050101 771376050201 775106050301 775119080101 776106050401 780204010101 790100370101 810201100201 810400300101 810501200101 810707700101 810707800101 811200400101 820110100101 820300400101 820600500101 820604200101 820606200101 821104400101 821500101101 821601000102 830100300101 830100400101 830101600101 830200300101
---	--	--	--

571527402000A (ET15 CRT iTOUCH ASSY)

CIRCUITREF	DESCRIPTION		PART NO.
V501	CRT (Asahi)	0.28mm M36AJA93X46	411502803904
V501E	ALU TAPE	3cmX20cm ELECTRIC	474363002000
	WIRE ASSY	ELO012527 ET15	531001202800
	ET15 CRT iTOUCH ASSY	ET15	571527402000A
	ADHESIVE DOUBLE TAPE	ELO W=3.14mm L=33M/R	820303300101
	GEL	602-GEL ELO 10ml	830100200301
	UV GLUE	Elo (6-20288)	830101400101
	UV INK 160173	ELO (M16979-05-N) 700g	830200100101

ET1545C-4UWE-1

CIRCUITREF	DESCRIPTION		PART NO.
V501B	COIL DEGAUSSING 智丞	R=18.5ohm L=300mm	321400001307
V501C	COIL ROTATION	300 TURNS L=200mm	321760000200
	CONTROLLER IT USB	ELO 714259-000	474000000400
5S04M	GASKET	20X20X20	474400000300
T10A	WIRE ASS'Y 012379	XHP2-10 1007#26 L=255mm	531000200700
V501D	WIRE ASSY 1015#22	SGF-STO L=170/110+SLEEVE	531000203300
W204	SIGNAL CABLE 012572	USB CABLE B-B 380mm BK	531300300200
W201	SIGNAL CABLE 6715008201	DSUB-15PX2 1830mm HP	531311800800
W203	SIGNAL CABLE CORE 012571	USB CABLE A-B 1830mm HP	531311802200
V501CA,V501CC	CABLE TIE PLT1M	L=100mm 7130K12	532000001000
V501A	CRT GROUNDING WIRE	0.12/64 1015#22 ET15	532500005400
W001	AC POWER CORD 918850-000	1.5M BK UL MTW UNSHIELD	533000120500
W002	AC POWER CORD D57513-000	1.5M BK VDE MTW UNSHIELD	533000320800
	ET15 NEW M/B ASSY RIVET	ET15	571527303000B
	ET15 CRT BOARD ASSY	ET15	571527304000A
	ET15 CRT iTOUCH ASSY	ET15	571527402000A
6F12	MINI BEZEL	ELO 15 GE LEXAN 920-116	710101100201
6F22	SQUARE BEZEL	ET1545C C57638-000	710103000101
6F08S	KNOB	ET17 ATRONIC	711102000101
6F08N,6F08R	PCB SUPPORT R0180L2000	PINGOOD SCB-5 (ET1)	711901900101
6F18F	PLASTIC WASHER	W8X4.1X2t	712001600101
T10B	MOVABLE TIE	PINGOOD (BST-6A)	712100800101
6F18D	SNAP CLIP	SN-01G	712301500101
6F18E	SNAP CLIP	SN-01GB	712301600101
6F01,6F02	TOP CHASSIS	ET1 15	720113000101
6F10	BRACKET	REAR (ELO) 15	720114500102
6F06	BRANCE ANGLE LEFT	(ELO) 15	720114600101
6F07	BRANCE ANGLE RIGHT	(ELO) 15	720114700101
6F08	BRACKET	CONTROLLER ET1 (ELO)	720115200201
6F11	ADJUSTER EAR	ELO 15"	720116800102
6F15,6F16	BRACKET-ITEM 2	ET17 SD502708 ITEM 2	720132700101
6F03,6F04	BRANCE	ET15	720134000101
6F13,6F14	BRACKET-ITEM 1	ET15 SD502709 ITEM 1	720134900101
6F17	BRACKET COVER-ITEM 3	ET15 SD502709 ITEM 3	720135100101
6F18	TOP BRACKET-ITEM 4	ET15 SD502709 ITEM 4	720135200101
6F19	MAIN BOARD COVER-ITEM 6	ET15 SD502709 ITEM 6	720135400101
6F20	BRACKET RIGHT-ITEM 7	ET15 SD502709 ITEM 7	720135500201
6F21	BRACKET LEFT -ITEM 8	ET15 SD502709 ITEM 8	720135600101
V501P	CAUTION LABEL	25KV	740202400101
6B01M	HI POT LABEL		740202700101
	WARNING LABEL	D.I FOR CARTON (ELO)	740203200101
6F10A	CAUTION LABEL	28KV	740203400101
V501Q	CRT LABEL	FOR CPT ASAHI	740402400101

6F08T	VR LABEL	ET1 KNOB	740402900101
	BLANK B/C LABEL	T=0.05 76X57.6	741200700101
	RIBBON	RICOH B-110A 110mmX300M	741300200101
6F18C	MYLAR	SR53 160X160X0.25t	750200100101
6F17B	RUBBER	GRMMT-EDGE	760301800101
	WIPER BLADE EXTRUEDE	ELO 700307	760400100101
6F18B,6F19B	SCREW	CPM M4X60 BLK	771107190401
W204M	SCREW	CPMSP 3X10 Ni	771176060301
5S05M,5S06M,	SCREW	CPMSP 4.0X8 Zn	771177050102
6F06M,6F07M,			
6F10M,6F13A,			
6F14A,6F15A,			
6F16A,6F17A,			
6F19A,6F20A,			
6F21A			
6F18A	SCREW	CPMSP M4.0X20 Zn-Cc	771177100201
6F03M,6F04M	SCREW	CPMSP M6X8 Zn	771179050101
6F08M,6F08P	SCREW	CPTSPB 3.0x8 Zn-Cc	771376050201
6F08Q	SCREW	CPTSPB 3.0x8 Zn-Cc	771376050201
6F01M,6F02M	SCREW	CHTM M6X15 Zn	775119080101
6F11M	SCREW	HIM 3X8 BLK	776106050401
6F11N	NUT	M4 4.0X0.7 HEX Zn 282804	780204010101
6F11P	WASHER FLAT	P4.3X12.0X1.0Zn 285207	790100370101
1P21	PE BAG	525X425X750X0.04T	810201100201
1P11B	DRIER SILICA GEL	ELO 15 (40g)	810400300101
6F19B	SPONGE	25X25X18mm	810501200101
1P01	EPE FOAM (T)	ET15 KIOSK	810707700101
1P02	EPE FOAM (B)	ET15 KIOSK	810707800101
1P22	ZIP BAG R0273A14	210X295X0.04t	811200400101
1P11	CARTON	ET1545C-4XWE-1	820110100101
V501E,V501F	TAPE MYLAR	3M#898 19mmX50M	820300400101
	END UNIT LABEL	(INNE)	820600500101
	BLANK LABEL	(50X35)	820604200101
	BLANK BARCODE LABEL	ELO 100X100	820606200101
2P03	QUICK START GUIDE	ET15/17/19 KIOSK	821104400101
2P02	GUIDE TOOLS CD	ELO REV.J	821500101101
1P06	PALLET ET17	WOODEN 106X104X13cm	821601000102
	GLUE HOT MELT CLEARSTICK	ELO (160108)	830100300101
	LOCTITE	ELO (262)	830100400101
6F17C	GLUE	CHEMITSEAL Q-706T	830101600101
6F12	FLUOROSYL 998307	FSD2500-16 ELO	830200300101
571527402000A (ET15 CRT iTOUCH ASSY)			
CIRCUITREF	DESCRIPTION		PART NO.
V501	CRT (Asahi)	0.28mm M36AJA93X46	411502803904
V501E	ALU TAPE	3cmX20cm ELECTRIC	474363002000

WIRE ASSY	ELO012527 ET15	531001202800
ET15 CRT iTOUCH ASSY	ET15	571527402000A
ADHESIVE DOUBLE TAPE	ELO W=3.14mm L=33M/R	820303300101
GEL	602-GEL ELO 10ml	830100200301
UV GLUE	Elo (6-20288)	830101400101
UV INK 160173	ELO (M16979-05-N) 700g	830200100101

ET1587C-4SWA-1 (TPS)

CIRCUITREF	DESCRIPTION		PART NO.
V501B	COIL DEGAUSSING 智丞	R=18.5ohm L=300mm	321400001307
V501C	COIL ROTATION	300 TURNS L=200mm	321760000200
5S04M	GASKET	20X20X20	474400000300
T10A	WIRE ASS'Y 012379	XHP2-10 1007#26 L=255mm	531000200700
V501D	WIRE ASSY 1015#22	SGF-STO L=170/110+SLEEVE	531000203300
W204	WIRE ASS'Y 012378	DSUB9-10 2651#28 L=305mm	531000900500
W201	SIGNAL CABLE 6715008201	DSUB-15PX2 1830mm HP	531311800800
W203	SIGNAL CABLE 1830mm HP	DSUB-9PX2 PE0145	531311800900
V501CA,V501CC	CABLE TIE PLT1M	L=100mm 7130K12	532000001000
V501A	CRT GROUNDING WIRE	0.12/64 1015#22 ET15	532500005400
	ET15 NEW M/B ASSY RIVET	ET15	571527303000B
	ET15 CRT BOARD ASSY	ET15	571527304000A
	ET15 CRT iTOUCH ASSY	ET15	571527402000A
	IT SERIAL CONTROL BD	351077-000	581512302001A
6F12	MINI BEZEL	ELO 15 GE LEXAN 920-116	710101100201
6F08S	KNOB	ET17 ATRONIC	711102000101
6F08N,6F08R	PCB SUPPORT R0180L2000	PINGOOD SCB-5 (ET1)	711901900101
T10B	MOVABLE TIE	PINGOOD (BST-6A)	712100800101
6F01,6F02	TOP CHASSIS	ET1 15	720113000101
6F10	BRACKET	REAR (ELO) 15	720114500102
6F06	BRANCE ANGLE LEFT	(ELO) 15	720114600101
6F07	BRANCE ANGLE RIGHT	(ELO) 15	720114700101
6F05	BRACKET	MAIN BOARD ET1 (ELO)	720115100202
6F08	BRACKET	CONTROLLER ET1 (ELO)	720115200201
6F11	ADJUSTER EAR	ELO 15"	720116800102
6F03,6F04	BRANCE	ET15	720134000101
V501P	CAUTION LABEL	25KV	740202400101
6B01M	HI POT LABEL		740202700101
	WARNING LABEL	D.I FOR CARTON (ELO)	740203200101
V501Q	CRT LABEL	FOR CPT ASAHI	740402400101
6F08T	VR LABEL	ET1 KNOB	740402900101
	BLANK B/C LABEL	T=0.05 76X57.6	741200700101
	RIBBON	RICOH B-110A 110mmX300M	741300200101
6F07T	RUBBER PAD	ET1	760201600101
	WIPER BLADE EXTRUEDE	ELO 700307	760400100101
5S05M,5S06M, 6F05M,6F06M, 6F07M,6F10M	SCREW	CPMSP 4.0X8 Zn	771177050101
6F03M,6F04M	SCREW	CPMSP M6X8 Zn	771179050101
6F08M,6F08P, 6F08Q	SCREW	CPTSPB 3.0x8 Zn-Cc	771376050201
W204M	SCREW R0313L41C	IOHMF 4-40 Ni	775106050301
6F01M,6F02M	SCREW	CHTM M6X15 Zn	775119080101

6F11M	SCREW	HIM 3X8 BLK	776106050401
6F11N	NUT	M4 4.0X0.7 HEX Zn 282804	780204010101
6F11P	WASHER FLAT	P4.3X12.0X1.0Zn 285207	790100370101
1P21	PE BAG	525X425X750X0.04T	810201100201
1P11B	DRIER SILICA GEL	ELO 15 (40g)	810400300101
1P01	EPE FOAM (L)	ET1 15	810701100101
1P02	EPE FOAM (R)	ET1 15	810701200101
1P22	ZIP BAG R0273A14	210X295X0.04t	811200400101
1P11	CARTON	ET1 15 ELO	820105300101
V501E,V501F	TAPE MYLAR	3M#898 19mmX50M	820300400101
	END UNIT LABEL	(INNE)	820600500101
	BLANK LABEL	(50X35)	820604200101
	BLANK BARCODE LABEL	ELO 100X100	820606200101
2P03	QUICK START GUIDE	ET1	821103400103
2P02	GUIDE TOOLS CD	ELO REV.J	821500101101
1P06	PALLET ET15	WOODEN 100X96X13cm	821600900102
	GLUE HOT MELT	ELO (160108)	830100300101
	CLEARSTICK	ELO (262)	830100400101
	LOCTITE		
6F12	FLUOROSYL 998307	FSD2500-16 ELO	830200300101

571527402000A (ET15 CRT iTOUCH ASSY)

CIRCUITREF	DESCRIPTION		PART NO.
V501	CRT (Asahi)	0.28mm M36AJA93X46	411502803904
V501E	ALU TAPE	3cmX20cm ELECTRIC	474363002000
	WIRE ASSY	ELO012527 ET15	531001202800
	ET15 CRT iTOUCH ASSY	ET15	571527402000A
	ADHESIVE DOUBLE TAPE	ELO W=3.14mm L=33M/R	820303300101
	GEL	602-GEL ELO 10ml	830100200301
	UV GLUE	Elo (6-20288)	830101400101
	UV INK 160173	ELO (M16979-05-N) 700g	830200100101

ET 17”

ET1787C -4SWA-1 , ET1787C-ONWA-1, ET1787C-4SJA-1, ET1787C-4UWA-1, ET1745C -4SWE-1, ET1745C-4UWE-1			
Common Parts			
571717303000D (ET17 NEW M/B RIVET ASSY)			
571909304000A (ET17/19 CRT BOARD ASSY)			
571717303000D (ET17 NEW M/B RIVET ASSY)			
CIRCUITREF	DESCRIPTION	PART NO.	
R220,R502,R623	RES CF	1/8W 10ohm J T	211003010000
R134,R135,R136,R137, R146,R147,R223,R224, R225	RES CF	1/8W 100ohm J T	211003010100
R104,R106,R110,R112, R117,R131,R133,R138, R207,R226,R511,R519, R522,R523,R527,R562, R565,R621,R635,R638	RES CF	1/8W 1K J(+/-5%) T	211003010200
R142,R228,R310,R529, R537,R631,R807	RES CF	1/8W 10K J(+/-5%) T	211003010300
R202,R227,R231	RES CF	1/8W 100K J T	211003010400
R229	RES CF	1/8W 10M J T	211003010600
R309	RES CF	1/8W 13K J T	211003013300
R156,R308,R520,R526	RES CF	1/8W 1.5K J T	211003015200
R212	RES CF	1/8W 15K J T	211003015300
R625	RES CF	1/8W 150K J T	211003015400
R210	RES CF	1/8W 1.8K J T	211003018200
R501,R503,R619,R627	RES CF	1/8W 18K J T	211003018300
R515	RES CF	1/8W 200K J T	211003020400
R230	RES CF	1/8W 2M J T	211003020500
R103,R111,R113,R114, R122,R123,R124,R125, R126,R127,R128,R143, R144,R200,R205,R206, R208,R222,R554	RES CF	1/8W 220ohm J(+/-5%) T	211003022100
R159,R232	RES CF	1/8W 2.2K J T	211003022200
R211	RES CF	1/8W 22K J T	211003022300
R145,R626	RES CF	1/8W 2.4K J T	211003024200
R541	RES CF	1/8W 24K J T	211003024300
R155	RES CF	1/8W 2.7K J(+/-5%) T	211003027200
R105	RES CF	1/8W 27K J T	211003027300
R540	RES CF	1/8W 300K J T	211003030400
R539	RES CF	1/8W 330ohm J T	211003033100
R508,R516,R628	RES CF	1/8W 33K J T	211003033300

R524,R538	RES CF	1/8W 3.9K J(+/-5%) T	211003039200
R213	RES CF	1/8W 39K J T	211003039300
R632	RES CF	1/8W 390K J T	211003039400
R217	RES CF	1/8W 43K J T	211003043300
D511,R101,R102	RES CF	1/8W 470ohm J T	211003047100
R108,R109,R115,R116, R118,R119,R120,R121, R129,R130,R132,R154, R517,R560,R561,R568, R569	RES CF	1/8W 4.7K J(+/-5%) T	211003047200
R218,R219,R802	RES CF	1/8W 47K J T	211003047300
R209,R311	RES CF	1/8W 5.6K J T	211003056200
R203,R221	RES CF	1/8W 56K J T	211003056300
R158,R521	RES CF	1/8W 680ohm J T	211003068100
R543,R570	RES CF	1/8W 6.8K J T	211003068200
R518	RES CF	1/8W 68K J T	211003068300
R633	RES CF	1/8W 750ohm J T	211003075100
R622	RES CF	1/8W 82ohm J T	211003082000
R233	RES CF	1/8W 8.2K J T	211003082200
R507	RES CF	1/4W 100ohm J T	211103010100
R157,R204,R551	RES CF	1/4W 1K J T	211103010200
R542,R548	RES CF	1/4W 47ohm J T	211103047000
R637	RES CF	1/4W 470ohm J T	211103047100
R510	RES CF	1/4W 4.7K J T	211103047200
R201	RES CF	1/4W 680ohm J T	211103068100
R528	RES CF	1/4W 75ohm J T	211103075000
R513	RES CF	1/2W 1K J T	211203010200
R509	RES CF	1/2W 100K J T	211203010400
R601	RES CF	1/2W 1M J T	211203010500
R313	RES CF	1/2W 1ohm J T	211203010800
R307	RES CF	1/2W 1.2ohm J T	211203012800
R641	RES CF	1/2W 180K J T	211203018400
R545	RES CF	1/2W 220ohm J T	211203022100
R304A,R305,R305A, R306,R306A,R533	RES CF	1/2W 2.2ohm J T	211203022800
R301,R301A,R302, R303,R304	RES CF	1/2W 3.9ohm J T	211203039800
R312	RES CF	1/2W 560ohm J T	211203056100
R636	RES CF	1/2W 680ohm J T	211203068100
R640	RES CF	1/2W 68K J T	211203068300
R639	RES CF	1/2W 680K J T	211203068400
R512	RES CF	1/2W 82K J T	211203082300
R505	RES HIGH	1/2W 18M T	211223018600
R571	RES MF	1/4W 1M F T	212103010500
R552	RES MOF	1W 47ohm J 12.5	212501047000
R536	RES MOF	2W 100K J(+/-5%) P:15mm	212601010400

R530	RES MOF	2W 0.18ohm J 15	212601018900
R615,R616	RES MOF	2W 68K J 15	212601068300
R617	RES MOF	3W 4.7K J 20	212701047200
R514	RES MOF	3W 56ohm J 20	212701056000
R525	RES MOF	3W 68ohm J 20	212701068000
R620	RES MOF normal sizee	5W 0.27ohm J KINK P=5	212852027900
L604	RES FUSIBLE(MF)	1/4W 0.33 J T	213653033900
R504,R535	RES FUSIBLE(MF)	1W 100 J P=12.5	213671010100
R572	RES FUSIBLE(MF)	2W 120 J P=15	213681012100
VR501	VR SEMI-FIXED	B 20K M D=6 V 0.1W CF	221300020300
VR601	VR SEMI-FIXED	B 1K M D=6 H 0.1W CF	221400010200
R600	PTCR	9ohm DGC2R9R0Q27A 2PIN	231000009000
R602	NTCR	3A 5ohm SCK053	231103050800
R614	VARISTOR 1A/150V PANJIT	P6KE150A/5W DO-41	232500000000
SW5	ENCODER DC11B2021401	FORWARD FOR ET21	232600000700
C101,C104,C114	CAP ELEC	100uF M 10V 105 TAPING	261201310100
C622	CAP ELEC	220uF M 10V 105 TAPING	261201322100
C116	CAP ELEC	470uF M 10V 105 TAPING	261201347100
C217	CAP ELEC	10uF M 16V 105 T	261202310000
C612,C635	CAP ELEC	100uF M 16V 105 TAPING	261202310100
C301,C302,C626,C629	CAP ELEC	1000uF M 16V 105 +/-20%T	261202310200
C222	CAP ELEC	220uF M 16V 105 TAPING	261202322100
C106,C111,C212,C218	CAP ELEC	47uF M 16V 105 TAPING	261202347000
C628	CAP ELEC	2200uF M 25V 105 7.5	261203122200
C619	CAP ELEC	100uF M 25V 105 T	261203310100
C502	CAP ELEC	220uF M 25V 105 TAPING	261203322100
C620	CAP ELEC	47uF M 25V 105 T (20%)	261203347000
C307	CAP ELEC	220uF M 35V 105 TAPING	261204322100
C112,C113,C223,C537	CAP ELEC	10uF M 50V 105 T (20%)	261205310000
C513	CAP ELEC	1uF M 50V 105 TAPING	261205310800
C206,C216,C225,C547, C634	CAP ELEC	2.2uF M 50V 105 TAPING	261205322800
C105	CAP ELEC	3.3uF M 50V 105 TAPING	261205333800
C505	CAP ELEC	47uF M 50V 105 TAPING	261205347000
C633	CAP ELEC	100uF M 100V 105 T	261208310100
C509	CAP ELEC	10uF M 200V 105 TAPING	261211310000
C632	CAP ELEC	100uF M 250V 105 P=7.5	261212110100
C572	CAP ELEC	0.47uF M 250V 105 T	261212347900
C611	CAP ELEC HP(25X35)	150uF M 105 400V	262204215100
C107,C108	CAP CERAMIC	22PF J 50V NPO T	271501322000
C609	CAP CERAMIC	47PF J 500V NPO T	271504347000
C121,C201,C202,C618	CAP CERAMIC	100PF K 50V Y5P T	272001310100
C120	CAP CERAMIC	1000PF K 50V Y5P T (20%)	272001310200
C227	CAP CERAMIC	220PF K 50V Y5P T	272001322100
C616	CAP CERAMIC	470PF K 50V Y5P T	272001347100

C602,C605	CAP CERAMIC	100PF K 500V Y5P T	272004310100
C531	CAP CERAMIC	220PF K 500V Y5P T	272004322100
C527	CAP CERAMIC	1000PF K 1KV Y5P T	272005310200
C614	CAP CERAMIC	150PF K 1KV Y5P T	272005315100
C540	CAP CERAMIC	220PF K 1KV Y5P T	272005322100
C532A	CAP CERAMIC	47PF K 1KV Y5P T	272005347000
C528,C533,C630	CAP CERAMIC	0.01uF M 500V Z5U T	272104310300
C503,C613	CAP CERAMIC	0.01uF M 1KV Z5U 7.5 20%	272105110300
C103,C109,C110,C115, C211,C303,C500,C500A, C501,C525,C526,C621, C623,C627	CAP CERAMIC	0.1uF Z 50V Y5V T (20%)	272201310400
C118	CAP PLASTIC	0.22uF J 50V PEI 10	281001122400
C210,C213,C215,C514	CAP PLASTIC	0.001uF J 50V PEI T	281001310200
C204,C207,C305,C306, C510,C517,C522	CAP PLASTIC	0.01uF J 50V PEI T	281001310300
C209,C226,C508,C516	CAP PLASTIC	0.1uF J 50V PEI T	281001310400
C515	CAP PLASTIC	0.012uF J 50V PEI T	281001312300
C224	CAP PLASTIC	0.15uF J 50V PEI T	281001315400
C504,C617	CAP PLASTIC	0.0022uF J 50V PEI T	281001322200
C539,C541,C801	CAP PLASTIC	0.022uF J 50V PEI T	281001322300
C518	CAP PLASTIC	0.0033uF J 50V PEI T	281001333200
C102,R140	CAP PLASTIC	0.0047uF J 50V PEI T	281001347200
C308	CAP PLASTIC	0.0068uF J 50V PEI T	281001368200
C530,C532	CAP PLASTIC	0.082uF J 50V PEI T	281001382300
C205	CAP PLASTIC	820PF J 100V PPN T	281201382100
C507	CAP PLASTIC	0.0039uF J 630V PPN 10	281204139200
C506	CAP PLASTIC PPS	0.0051uF J 1.6KV 22.5	281308151200
C523	CAP PLASTIC	0.00022uF 2KV PPS J 15	281309122100
C524	CAP PLASTIC	0.033uF J 250V MEF 10	281405133300
C220	CAP PLASTIC	0.15uF J 63V MEB T	281502315400
C203,C304,C512	CAP PLASTIC	0.22uF J 63V MEB T (5%)	281502322400
C219	CAP PLASTIC	0.47uF J 63V MEB T	281502347400
C535	CAP PLASTIC	0.1uF J 250V MPP 10	281602110400
C536	CAP PLASTIC	0.22uF J 250V MPP 15	281602122400
C538	CAP PLASTIC	0.56uF J 250V MPP 20	281602156400
C534	CAP PLASTIC	0.27uF J 400V MPP 15	281603327400
C601	CAP X	0.22uF AC 250V/300V 22.5	291000022400
C610,C615	CAP Y1	4700PF AC 250V (AH)	291250047200
L505	LINEARITY COIL	0A 9.9uH ET17	321000002500
L507	COIL CHOKE	17uH	321200001300
L510	COIL CHOKE	3mH	321200003500
L602	AC LINE FILTER	35mH	321300100700
G2B	CORE	1-T-20x10x10-EM2	321500002300
L608	COIL BEAD	6mmX10mm	321503000400

J05,L102,L501,L502, L603,L606,L609,L610, L612	COIL BEAD	3.5mmX6mm	321503001000
J28,J28A,L503	CORE BEAD	3.5X9X0.8	321503001300
L601,L601A	CORE RING	35uH	321700001000
D202	COIL PEAKING	10uH K T (EC24)	323053010000
T601	TRANSFORMER	POWER UD1	331000002000
T501	TRANSFORMER	FBT ET17	331100002300
T504	TRANSFORMER	FOCUS	331250000600
T503	TRANSFORMER	COUPLING	331250000700
T502	TRANSFORMER H-DRIVER	L:53uH+/-20%,LK:160uH	331300000800
Q608	TRANSISTOR	2SA673AC	361103067300
Q201,Q503,Q506,Q515	TRANSISTOR	2SA733P	361103073300
Q610,Q611	TRANSISTOR	2SA1020Y T	361103102000
Q508	TRANSISTOR	2SC5387(HFE)	361300538700
Q101,Q202,Q203,Q204, Q504,Q511,Q514,Q523, Q524,Q525,Q527,Q603, Q606,Q607	TRANSISTOR TAPING	H945P / C945P	361303094500
Q609	TRANSISTOR	2SC1213AC T	361303121300
Q507	TRANSISTOR	2SK941	361500094100
Q501	TRANSISTOR	SSS6N60A	361550066000
Q602	TRANSISTOR	SSS7N80A	361550078000
Q513	TRANSISTOR	BF420 T	361603042000
Q502	TRANSISTOR	BF423 T	361603042300
Q516	TRS. N-MOSFET FAIRCHILD	IRFS740B 10A/400V TO220F	361700074000
Q517,Q518	TRANSISTOR	IRFS630A/CEFF630	361703063000
D502,D508	DIODE UF4005G JIT	1A/600V 50-75ns T	371203100600
D619,D619B	DIODE UF4007 JIT	1A/1000V 50-75ns T	371213101000
D101,D102,D204,D503, D505,D507,D512,D610, D613,D618	DIODE	1N4148(1A/75V) T	371303107500
D509	DIODE (2A/400V)	UGP20G/SF20GG KINK P=20	371721200400
Q509	DIODE	BY329X-1500S 5A/1500V	371960501504
D201,D513,D612,D801	DIODE 1A/100V T	FR102/PR1002	372153100100
D516,D611	DIODE 1A/400V T	FR104/PR1004	372153100400
D609	DIODE 1A/600V T	PR1005	372153100600
D301	DIODE 1A/1KV T	FR107/PR1007	372153101000
D617	DIODE	HER304 3A/300V KINK P=20	372201300325
D615	DIODE	HER305 3A/400V KINK P=20	372201300425
D621	DIODE 3A/800V KINK P=20	UF3006	372201300824
D622	DIODE 3A/1KV KINK P=20	UF3007	372201301024
D517	DIODE 1A/100V T	HER102/UF1002	372203100100
D616,D624	DIODE 2A/400V T	HER205/UF2004	372203200400
D608	DIODE 2A/800V T	HER207/UF2006	372203200800

D601	DIODE BRIDGE	PBL406/KBL406(4A/800V)	373000400800
LED1	LED	D=3mm GREEN L-34GD	373502100300
D605	DIODE ZENER HITACHI	1/2W HZ4C3 DO-35 T	375003043300
D610A,R804	DIODE ZENER	1/2W HZ5C2 5.0V-5.2V T	375003053200
D510	DIODE ZENER	1/2W HZ15-2 T	375003150200
D619A	DIODE ZENER	1/2W HZ20-3 20.2-21.1 T	375003200300
D515	DIODE ZENER	1/2W HZ36-2 T	375003360200
D504	ZENER DIODE	1W Z150A 150V 10% T	375503015100
U301	IC	TDA8172 vertical process	381300017210
U201	IC	TDA9113	381400011310
U602	IC	UC3842AM 8	382500084227
U501	IC	HA17812 3	382600081201
Q505	IC	TL431	382660043144
U603	IC	LM2940 3	382700094005
U102	IC	AT24C04 8	384300040425
U103	IC	WT6804 16	384300080416
U101	MASK MCU ELO	UD7/TE6/ETx REV1.0	384915930116
RL501	RELAY 1P2T 12V JS1-12V	AJS-1311 NAIS	432001200700
RL601	RELAY	2P1T 12V FTR-F4AK012T	432002101000
	PCB MAIN CEMI-1 T1.6/1oz	246x249mm REV.01 ET15/17	441000470100
U101A	IC SOCKET	40PIN 2.54mm D=15.24	450050404000
F601A	CLIP FUSE	5X20mm t=0.4mm	450065200200
TB2	GT PIN	R=1.56mm l=13mm	452001561300
R525A,R525B	GT PIN	R=2.36mm L=20mm	452002362000
T12	BASE PIN	2.0mm 2PIN	452072000200
T10,T8	BASE PIN	2.5mm 2PIN	452102500200
T3	BASE PIN	2.5mm 5PIN	452102500500
T7	BASE PIN	5-7.5mm 2PIN A1561WV2-2P	452205750200
T5	BASE PIN	8-10mm 4PIN JS-1122-4	452258100400
DOWNLOAD	PIN HEADER	2.54mm 2PINX1ROW	452802500200
T11A	PIN HEADER L=4.0mm	2.54mm 6PINX1ROW RA	452862500600
T9A	PIN HEADER L=4.0mm	2.54mm 13PINX1ROW RA	452862501300
T4A	BASE PIN	2.0mm 6PIN RA	453012000600
F601	FUSE GLASS TUBE 5TT3 BEL	3A 250V S-B 5*20 UL/CSA	471100030000
F602,J21	FUSE PICO	2A 125V F-B 251	471503020000
X101	CRYSTAL	12MHZ (HC-49/U)	473000120000
U301T	SILICON INSULATOR	TO-220 13mmX18.5mm	475000100100
Q602P	SILICON RUBBER TO-2025A	20mmX25mmX0.45mm	475000200200
Q602N	TRANSISTOR COVER	TR-09	475050000100
W502	WIRE 1500#18 BLK	SRA/ST0(SLEEVE) L=180mm	512006401800
G2	WIRE SVF1/1032#22 WHITE	L=330	523018593300
S101	WIRE ASSY	AC CONNECTOR 3PIN ELO	531000301100
T6	WIRE ASS'Y 2651#28	2mm-6/2mm-6 L=240mm	531000601200
T4	WIRE ASS'Y 2651#28X6C	6P-6P(3,4 CROSS)L=1000mm	531000601900
T2	WIRE ASSY L=330mm	2mm-9/2mm-9 2651#28+CORE	531000900900
W202	SIGNAL CABLE UL20279X13C	DSUB-15/XHP-5-7 L=280mm	531310200300

T1	JUMPER WIRE	PITCH=5mm	531400005000
D803,D804,J01,J13, J15,J16,J31,J37,J38, J39,J40,J42,J43,J47, L611,R148,R149, R153,R574,R803	JUMPER WIRE	PITCH=7.5mm	531400007500
J02,,J06,J10,J11,J17, J18,J19,J22,J25,J26, J29,J30,J32,J33,J48, L101,L508,R613, R624	JUMPER WIRE	PITCH=10mm	531400010000
J12,J20,J23,J24,J34, J36,R506,R534	JUMPER WIRE	PITCH=12.5mm	531400012500
J04,J07,J08,J09,J14, L504	JUMPER WIRE	PITCH=20mm	531400020000
R620A	JUMPER WIRE	PITCH=20mm	531400020000
G2A,G2C	TUBE HOT-SHRINK UL/CSA	D=9X0.25mm L=30mm	531509003000
	CABLE TIE PLT1M	L=100mm 7130K12	532000001000
	ET17 NEW M/B RIVET ASSY	ET17	571717303000D
U301P	TRANSISTOR WASHER	PIN GOOD 604S	712000300101
5S01	BRACKET	BACK (ELO)	720114300103
5S05,5S06	BRACKET	FOOT (ELO)	720114400301
5S07	BRACKET	FBT (ET1)	720120500101
5S02	HEAT SINK	SIDE (L) (ELO) ET17/19	730102500101
5S03	HEAT SINK	SIDE (R) (ELO)	730102500401
Q516N	HEAT SINK	60X24X30.5 18mm	730401900101
5S02M,5S03M	SCREW	CPM 3.0x8 Zn-Cc	771106050201
S101N	SCREW	CPTTB 4X8 Zn-Cc	771317050201
5S01N,5S07M, Q516,W202N	SCREW	CPTSPB 3.0x8 Zn-Cc	771376050201
U301M	SCREW	CPTSPB 3.0x12 Zn-Cc	771376070201
5S07N	SCREW	CTTWC 4.0x10 Zn-Cc	773457060201
5S01M,Q501M, Q508M,Q509M	SCREW	CTTWE 3.0x8 Zn	773656050201
Q602M	SCREW	CTTWE 3.0X14 Zn	773656080201
W202M	SCREW R0313L41C	IOHMF 4-40 Ni	775106050301
U301N	NUT	M3.0 3.0x0.5 Zn-Cc	780203010201
C506R,Q602R, R602R	RIVET	d1.2Xd1.6Xd2.9X3.0L Cr	790800010501
L601AR	RIVET	d1.4Xd1.8Xd3.0X3.0L Cr	790800020501
L601R,L602R,Q509R	RIVET	d1.4Xd1.8Xd3.0X3.0L Cr	790800020501
D601R,D621R, D622R,L505R, Q508R	RIVET	d1.6Xd2.0Xd4.0X3.0L Cr	790800030501
C611R,S601R, T501R,T601R	RIVET	d1.9Xd2.3Xd3.8X3.0L Cr	790800070501

**ET1787C -4SWA-1 , ET1787C-ONWA-1, ET1787C-4SJA-1, ET1787C-4UWA-1,
ET1745C -4SWE-1, ET1745C-4UWE-1**

Common Parts

571717303000D (ET17 NEW M/B RIVET ASSY)

571909304000A (ET17/19 CRT BOARD ASSY)

571909304000A (ET17/19 CRT BOARD ASSY)

CIRCUITREF	DESCRIPTION		PART NO.
R711,R712,R713,R714, R736	RES CF	1/8W 100ohm J T	211003010100
R710,R737	RES CF	1/8W 1K J(+/-5%) T	211003010200
R707,R735	RES CF	1/8W 10K J(+/-5%) T	211003010300
R708,R709,R722,R723, R724	RES CF	1/8W 220ohm J(+/-5%) T	211003022100
R729,R730,R731	RES CF	1/8W 220K J T	211003022400
R704,R705,R706	RES CF	1/8W 330ohm J T	211003033100
R726,R727,R728	RES CF	1/8W 56ohm J T	211003056000
R701,R702,R703	RES CF	1/8W 75ohm J T	211003075000
R738	RES CF	1/4W 100ohm J T	211103010100
R732,R733,R734	RES CF	1/4W 56ohm J T	211103056000
R742	RES CF	1/2W 100K J T	211203010400
R741	RES MOF	1W 3.3ohm J 12.5	212501033800
C704	CAP ELEC	100uF M 10V 105 TAPING	261201310100
C708	CAP ELEC	22uF M 10V 105 T	261201322000
C710	CAP ELEC	10uF M 50V 105 T (20%)	261205310000
C722,C727	CAP ELEC	2.2uF M 100V 105 TAPING	261208322800
C716,C717,C718	CAP ELEC	1uF M 100V 105 NK T	261328310800
C709	CAP CERAMIC	100PF K 50V Y5P T	272001310100
C705	CAP CERAMIC	220PF K 500V Y5P T	272004322100
C724	CAP CERAMIC	560PF K 500V Y5P T	272004356100
C711,C719,C720,C721, C726	CAP CERAMIC	0.01uF M 500V Z5U T	272104310300
C723	CAP CERAMIC	0.01uF M 1KV Z5U 7.5 20%	272105110300
C707,C712,C713,C714, C715,C725	CAP CERAMIC	0.1uF Z 50V Y5V T (20%)	272201310400
C701,C702,C703	CAP PLASTIC	0.022uF J 50V PEI T	281001322300
L704,L705,L706	COIL PEAKING	0.22uH K T	323053022900
D701,D702,D703,D704, D705,D706	DIODE	FDH400.TR D0-35	370503040000
D707,D708,D709,D711	DIODE	1N4148(1A/75V) T	371303107500
U701	IC	LM1269 NS	381000026905
U703	IC	LM2469TA	381100046905
U702	IC	LM2480 NS	381100048005
U704	IC	L7805CV 3	382600080510

CRTA	PCB NECK CEM-I T1.6/1oz	L82xW90mm FOR ET17 /19	441100310100
G2	SOCKET CRT	ISDW01S 01S44C INCHANGE	450010001700
T704	GT PIN	R=1.56mm l=13mm	452001561300
T701	GT PIN	R=2.36mm L=14mm	452002361400
T703	BASE PIN	2.5mm 7PIN R/A	452112500700
T702	BASE PIN	2.0mm 6PIN RA	453012000600
C728,K701,K702,K703, K704	BASE PIN	2.0mm 9PIN RA	453012000900
J702,J703,J710	SPARK GAP	1.2KV	473500312200
J701,J705,R719,R720, R721	JUMPER WIRE	PITCH=7.5mm	531400007500
J706,J707,J708,J711	JUMPER WIRE	PITCH=10mm	531400010000
J704	JUMPER WIRE	PITCH=12.5mm	531400012500
J709	JUMPER WIRE	PITCH=15mm	531400015000
5S04	JUMPER WIRE	PITCH=20mm	531400020000
U703N	ET17/19 CRT BOARD ASSY	ET17/19	571909304000A
U703M	VIDEO SHIELDING	GAME	720305200101
	HEAT SINK	60LX24WX30.5H 13mm	730401900301
	SCREW	CTTWE 3.0x8 Zn	773656050201

ET1787C-4SWA-1			
CIRCUITREF	DESCRIPTION		PART NO.
V501B	COIL DEGAUSSING	2UEW 17	321400001207 321400001200 321400001213
V501C	COIL ROTATION	300 TURNS L=200mm	321760000200
5S04M	GASKET	20X20X20	474400000300
T10A	WIRE ASS'Y 012379	XHP2-10 1007#26 L=255mm	531000200700
V501D	WIRE ASSY 1015#22	SGF-STO L=170/110+SLEEVE	531000203300
W204	WIRE ASS'Y 012378	DSUB9-10 2651#28 L=305mm	531000900500
W201	SIGNAL CABLE 6715008201	DSUB-15PX2 1830mm HP	531311800800
W203	SIGNAL CABLE 1830mm HP	DSUB-9PX2 PE0145	531311800900
V501CA,V501CC	CABLE TIE PLT1M	L=100mm 7130K12	532000001000
V501A	CRT GROUNDING WIRE	0.12/64 1015#22 ET17	532500005500
	ET17 NEW M/B RIVET ASSY	ET17	571717303000D
	ET17 CRT iTOUCH ASSY	ET17	571717402000A
	ET17/19 CRT BOARD ASSY	ET17/19	571909304000A
	IT SERIAL CONTROL BD	351077-000	581512302001A
6F12	MINI BEZEL	ET17 (NEW)	710102500101
6F08S	KNOB	ET17 ATRONIC	711102000101
6F08N,6F08R	PCB SUPPORT R0180L2000	PINGOOD SCB-5 (ET1)	711901900101
T10B	MOVABLE TIE	PINGOOD (BST-6A)	712100800101
6F10	BRACKET	REAR (ELO) 15	720114500102
6F05	BRACKET	MAIN BOARD ET1 (ELO)	720115100202
6F08	BRACKET	CONTROLLER ET1 (ELO)	720115200201
6F01,6F02	TOP CHASSIS	ET17 (ELO)	720115600101
6F03,6F04	BRANCE	ET17 (ELO)	720115800303
6F06	BRANCE ANGLE LEFT	ET17 (ELO)	720115900101
6F07	BRANCE ANGLE RIGHT	ET17 (ELO)	720116000101
6F22	FENCE	OSD ET1	720139800101
V501P	CAUTION LABEL	25KV	740202400101
6B01M	HI POT LABEL		740202700101
	WARNING LABEL	D.I FOR CARTON (ELO)	740203200101
V501Q	CRT LABEL	FOR CPT ASAHI	740402400101
6F08T	VR LABEL	ET1 KNOB	740402900101
	BLANK B/C LABEL	T=0.05 76X57.6	741200700101
	RIBBON	RICOH B-110A 110mmX300M	741300200101
6F07T	RUBBER PAD	ET1	760201600101
	WIPER BLADE EXTRUEDE	ELO 700307	760400100101
6F22A	SCREW	CPMSP M3.0x6 Zn-Cc	771176040201
5S05M,5S06M, 6F05M,6F06M, 6F07M,6F10M	SCREW	CPMSP 4.0X8 Zn	771177050101
6F12M	SCREW	CPMSP M4.0X10 Zn-Cc	771177060201
6F03M,6F04M	SCREW	CPMSP M6X8 Zn	771179050101
6F08M,6F08P,	SCREW	CPTSPB 3.0x8 Zn-Cc	771376050201

6F08Q			
W204M	SCREW R0313L41C	IOHMF 4-40 Ni	775106050301
6F12N	SCREW	IOHM M4X10+M6X15 Zn	775117060101
6F12P	WASHER	16X9.5X6.1	791200020101
1P21	PE BAG	900x500x440x0.03t	810202500101
1P11B	DRIER SILICA GEL	ELO 15 (40g)	810400300101
1P01	EPE FOAM (L)	ET17	810701500101
1P02	EPE FOAM (R)	ET17	810701600101
1P22	ZIP BAG R0273A14	210X295X0.04t	811200400101
1P11	CARTON	ET17	820105600101
V501E	TAPE MYLAR	3M#898 19mmX50M	820300400101
V501F	TAPE MYLAR	3M#898 19mmX50M	820300400101
6F12Q	BEZ-GASKET	ET17/19/21	820305100101
	END UNIT LABEL	(INNE)	820600500101
	BLANK LABEL	(50X35)	820604200101
	BLANK BARCODE LABEL	ELO 100X100	820606200101
2P03	QUICK START GUIDE	ET1	821103400103
2P02	GUIDE TOOLS CD	ELO REV.J	821500101101
1P06	PALLET ET17	WOODEN 106X104X13cm	821601000102
	GLUE HOT MELT CLEARSTICK	ELO (160108)	830100300101
	LOCTITE	ELO (262)	830100400101
6F12	FLUOROSYL 998307	FSD2500-16 ELO	830200300101
571717402000A (ET17 CRT ItoUCH ASSY)			
CIRCUITREF	DESCRIPTION		PART NO.
V501	CRT (Asahi)	0.27mm M41AGE93X46C(L)	411702702004
V501E	ALU TAPE	3cmX20cm ELECTRIC	474363002000
	WIRE ASSY	ELO012526 ET17	531001202700
	ET17 CRT ITOUCH ASSY	ET17	571717402000A
	ADHESIVE DOUBLE TAPE	ELO W=3.14mm L=33M/R	820303300101
	GEL	602-GEL ELO 10ml	830100200301
	UV GLUE	Elo (6-20288)	830101400101
	UV INK 160173	ELO (M16979-05-N) 700g	830200100101

ET1787C-ONWA-1			
CIRCUITREF	DESCRIPTION		PART NO.
V501B	COIL DEGAUSSING	2UEW 17	321400001207 321400001200 321400001213
V501C	COIL ROTATION	300 TURNS L=200mm	321760000200
V501	CRT (Asahi)	0.27mm M41AGE93X46C(L)	411702702004
5S04M	GASKET	20X20X20	474400000300
V501D	WIRE ASSY 1015#22	SGF-STO L=170/110+SLEEVE	531000203300
W201	SIGNAL CABLE 6715008201	DSUB-15PX2 1830mm HP	531311800800
V501CA,V501CC	CABLE TIE PLT1M	L=100mm 7130K12	532000001000
V501A	CRT GROUNDING WIRE	0.12/64 1015#22 ET17	532500005500
	ET17 NEW M/B RIVET ASSY	ET17	571717303000D
	ET17/19 CRT BOARD ASSY	ET17/19	571909304000A
6F08S	KNOB	ET17 ATRONIC	711102000101
6F10	BRACKET	REAR (ELO) 15	720114500102
6F05	BRACKET	MAIN BOARD ET1 (ELO)	720115100202
6F08	BRACKET	CONTROLLER ET1 (ELO)	720115200201
6F01,6F02	TOP CHASSIS	ET17 (ELO)	720115600101
6F03,6F04	BRANCE	ET17 (ELO)	720115800303
6F06	BRANCE ANGLE LEFT	ET17 (ELO)	720115900101
6F07	BRANCE ANGLE RIGHT	ET17 (ELO)	720116000101
6F22	FENCE	OSD ET1	720139800101
V501P	CAUTION LABEL	25KV	740202400101
6B01M	HI POT LABEL		740202700101
6F08T	VR LABEL	ET1 KNOB	740402900101
	BLANK B/C LABEL	T=0.05 76X57.6	741200700101
6F07T	RUBBER PAD	ET1	760201600101
6F22A	SCREW	CPMSP M3.0x6 Zn-Cc	771176040201
5S05M,5S06M, 6F05M,6F06M, 6F07M,6F10M	SCREW	CPMSP 4.0X8 Zn	771177050101
6F03M,6F04M	SCREW	CPMSP M6X8 Zn	771179050101
6F08M,6F08P, 6F08Q	SCREW	CPTSPB 3.0x8 Zn-Cc	771376050201
6F01M,6F02M	SCREW	CHTM M6X15 Zn	775119080101
1P21	PE BAG	900x500x440x0.03t	810202500101
1P11B	DRIER SILICA GEL	ELO 15 (40g)	810400300101
1P01	EPE FOAM (L)	ET17	810701500101
1P02	EPE FOAM (R)	ET17	810701600101
1P22	ZIP BAG R0273A14	210X295X0.04t	811200400101
1P11	CARTON	ET17	820105600101
V501E,V501F	TAPE MYLAR	3M#898 19mmX50M	820300400101
	END UNIT LABEL	(INNE)	820600500101
	BLANK LABEL	(50X35)	820604200101
	BLANK BARCODE LABEL	ELO 100X100	820606200101
2P03	QUICK START GUIDE	ET1	821103400103
2P02	GUIDE TOOLS CD	ELO REV.J	821500101101
1P06	PALLET ET17	WOODEN 106X104X13cm	821601000102

ET1787C-4SJA-1			
CIRCUITREF	DESCRIPTION		PART NO.
V501B	COIL DEGAUSSING	2UEW 17	321400001207 321400001200 321400001213
V501C	COIL ROTATION	300 TURNS L=200mm	321760000200
5S04M	GASKET	20X20X20	474400000300
T10A	WIRE ASS'Y 012379	XHP2-10 1007#26 L=255mm	531000200700
V501D	WIRE ASSY 1015#22	SGF-STO L=170/110+SLEEVE	531000203300
W204	WIRE ASS'Y 012378	DSUB9-10 2651#28 L=305mm	531000900500
W201	SIGNAL CABLE 6715008201	DSUB-15PX2 1830mm HP	531311800800
W203	SIGNAL CABLE 1830mm HP	DSUB-9PX2 PE0145	531311800900
V501CA,V501CC	CABLE TIE PLT1M	L=100mm 7130K12	532000001000
V501A	CRT GROUNDING WIRE	0.12/64 1015#22 ET17	532500005500
	ET17 NEW M/B RIVET ASSY	ET17	571717303000D
	ET17 CRT ITOUCH ASSY	ET17	571717402000A
	ET17/19 CRT BOARD ASSY	ET17/19	571909304000A
	IT SERIAL CONTROL BD	351077-000	581512302001A
6F12	MINI BEZEL	ET17 (NEW)	710102500101
6F08S	KNOB	ET17 ATRONIC	711102000101
6F08N,6F08R	PCB SUPPORT R0180L2000	PINGOOD SCB-5 (ET1)	711901900101
T10B	MOVABLE TIE	PINGOOD (BST-6A)	712100800101
6F10	BRACKET	REAR (ELO) 15	720114500102
6F05	BRACKET	MAIN BOARD ET1 (ELO)	720115100202
6F08	BRACKET	CONTROLLER ET1 (ELO)	720115200201
6F01,6F02	TOP CHASSIS	ET17 (ELO)	720115600101
6F03,6F04	BRANCE	ET17 (ELO)	720115800303
6F06	BRANCE ANGLE LEFT	ET17 (ELO)	720115900101
6F07	BRANCE ANGLE RIGHT	ET17 (ELO)	720116000101
V501P	CAUTION LABEL	25KV	740202400101
6B01M	HI POT LABEL		740202700101
	WARNING LABEL	D.I FOR CARTON (ELO)	740203200101
V501Q	CRT LABEL	FOR CPT ASAHI	740402400101
6F08T	VR LABEL	ET1 KNOB	740402900101
	BLANK B/C LABEL	T=0.05 76X57.6	741200700101
	RIBBON	RICOH B-110A 110mmX300M	741300200101
6F07T	RUBBER PAD	ET1	760201600101
	WIPER BLADE EXTRUEDE	ELO 700307	760400100101
5S05M,5S06M, 6F05M,6F06M, 6F07M,6F10M	SCREW	CPMSP 4.0X8 Zn	771177050101
6F12M	SCREW	CPMSP M4.0X10 Zn-Cc	771177060201
6F03M,6F04M	SCREW	CPMSP M6X8 Zn	771179050101
6F08M,6F08P, 6F08Q	SCREW	CPTSPB 3.0x8 Zn-Cc	771376050201
W204M	SCREW R0313L41C	IOHMF 4-40 Ni	775106050301

6F12N	SCREW	IOHM M4X10+M6X15 Zn	775117060101
6F12P	WASHER	16X9.5X6.1	791200020101
1P21	PE BAG	900x500x440x0.03t	810202500101
1P11B	DRIER SILICA GEL	ELO 15 (40g)	810400300101
1P01	EPE FOAM (L)	ET17	810701500101
1P02	EPE FOAM (R)	ET17	810701600101
1P22	ZIP BAG R0273A14	210X295X0.04t	811200400101
1P11	CARTON	ET17	820105600101
V501E	TAPE MYLAR	3M#898 19mmX50M	820300400101
V501F	TAPE MYLAR	3M#898 19mmX50M	820300400101
6F12Q	BEZ-GASKET	ET17/19/21	820305100101
	END UNIT LABEL	(INNE)	820600500101
	BLANK LABEL	(50X35)	820604200101
	BLANK BARCODE LABEL	ELO 100X100	820606200101
2P03	QUICK START GUIDE	ET1	821103400103
2P02	GUIDE TOOLS CD	ELO REV.J	821500101101
1P06	PALLET ET17	WOODEN 106X104X13cm	821601000102
	GLUE HOT MELT CLEARSTICK	ELO (160108)	830100300101
	LOCTITE	ELO (262)	830100400101
6F12	FLUOROSYL 998307	FSD2500-16 ELO	830200300101
571717402000A (ET17 CRT ItoUCH ASSY)			
CIRCUITREF	DESCRIPTION		PART NO.
V501	CRT (Asahi)	0.27mm M41AGE93X46C(L)	411702702004
V501E	ALU TAPE	3cmX20cm ELECTRIC	474363002000
	WIRE ASSY	ELO012526 ET17	531001202700
	ET17 CRT ITOUCH ASSY	ET17	571717402000A
	ADHESIVE DOUBLE TAPE	ELO W=3.14mm L=33M/R	820303300101
	GEL	602-GEL ELO 10ml	830100200301
	UV GLUE	Elo (6-20288)	830101400101
	UV INK 160173	ELO (M16979-05-N) 700g	830200100101

ET1787C-4UWA-1			
CIRCUITREF	DESCRIPTION		PART NO.
V501B	COIL DEGAUSSING	2UEW 17	321400001207 321400001200 321400001213
V501C	COIL ROTATION	300 TURNS L=200mm	321760000200
5S04M	CONTROLLER IT USB	ELO 714259-000	474000000400
T10A	GASKET	20X20X20	474400000300
V501D	WIRE ASS'Y 1015#22	XHP2-10 1007#26 L=255mm	531000200700
W204	WIRE ASSY 1015#22	SGF-STO L=170/110+SLEEVE	531000203300
W201	SIGNAL CABLE 012572	USB CABLE B-B 380mm BK	531300300200
W203	SIGNAL CABLE 6715008201	DSUB-15PX2 1830mm HP	531311800800
V501CA,V501CC	SIGNAL CABLE CORE 012571	USB CABLE A-B 1830mm HP	531311802200
V501A	CABLE TIE PLT1M	L=100mm 7130K12	532000001000
	CRT GROUNDING WIRE	0.12/64 1015#22 ET17	532500005500
	ET17 NEW M/B RIVET ASSY	ET17	571717303000D
	ET17 CRT ITOUCH ASSY	ET17	571717402000A
	ET17/19 CRT BOARD ASSY	ET17/19	571909304000A
6F12	MINI BEZEL	ET17 (NEW)	710102500101
6F08S	KNOB	ET17 ATRONIC	711102000101
6F08N,6F08R	PCB SUPPORT R0180L2000	PINGOOD SCB-5 (ET1)	711901900101
T10B	MOVABLE TIE	PINGOOD (BST-6A)	712100800101
6F10	BRACKET	REAR (ELO) 15	720114500102
6F05	BRACKET	MAIN BOARD ET1 (ELO)	720115100202
6F08	BRACKET	CONTROLLER ET1 (ELO)	720115200201
6F01,6F02	TOP CHASSIS	ET17 (ELO)	720115600101
6F03,6F04	BRANCE	ET17 (ELO)	720115800303
6F06	BRANCE ANGLE LEFT	ET17 (ELO)	720115900101
6F07	BRANCE ANGLE RIGHT	ET17 (ELO)	720116000101
6F22	FENCE	OSD ET1	720139800101
V501P	CAUTION LABEL	25KV	740202400101
6B01M	HI POT LABEL		740202700101
	WARNING LABEL	D.I FOR CARTON (ELO)	740203200101
V501Q	CRT LABEL	FOR CPT ASAHI	740402400101
6F08T	VR LABEL	ET1 KNOB	740402900101
	BLANK B/C LABEL	T=0.05 76X57.6	741200700101
	RIBBON	RICOH B-110A 110mmX300M	741300200101
6F07T	RUBBER PAD	ET1	760201600101
	WIPER BLADE EXTRUEDE	ELO 700307	760400100101
6F22A	SCREW	CPMSP M3.0x6 Zn-Cc	771176040201
W204M	SCREW	CPMSP 3X10 Ni	771176060301
5S05M,5S06M, 6F05M,6F06M, 6F07M,6F10M	SCREW	CPMSP 4.0X8 Zn	771177050101
6F12M	SCREW	CPMSP M4.0X10 Zn-Cc	771177060201
6F03M,6F04M	SCREW	CPMSP M6X8 Zn	771179050101
6F08M,6F08P,	SCREW	CPTSPB 3.0x8 Zn-Cc	771376050201

6F08Q			
6F12N	SCREW	IOHM M4X10+M6X15 Zn	775117060101
6F12P	WASHER	16X9.5X6.1	791200020101
1P21	PE BAG	900x500x440x0.03t	810202500101
1P11B	DRIER SILICA GEL	ELO 15 (40g)	810400300101
1P01	EPE FOAM (L)	ET17	810701500101
1P02	EPE FOAM (R)	ET17	810701600101
1P22	ZIP BAG R0273A14	210X295X0.04t	811200400101
1P11	CARTON	ET17	820105600101
V501E,V501F	TAPE MYLAR	3M#898 19mmX50M	820300400101
6F12Q	BEZ-GASKET	ET17/19/21	820305100101
	END UNIT LABEL	(INNE)	820600500101
	BLANK LABEL	(50X35)	820604200101
	BLANK BARCODE LABEL	ELO 100X100	820606200101
2P03	QUICK START GUIDE	ET1	821103400103
2P02	GUIDE TOOLS CD	ELO REV.J	821500101101
1P06	PALLET ET17	WOODEN 106X104X13cm	821601000102
	GLUE HOT MELT CLEARSTICK	ELO (160108)	830100300101
	LOCTITE	ELO (262)	830100400101
6F12	FLUOROSYL 998307	FSD2500-16 ELO	830200300101
571717402000A (ET17 CRT ItoUCH ASSY)			
CIRCUITREF	DESCRIPTION		PART NO.
V501	CRT (Asahi)	0.27mm M41AGE93X46C(L)	411702702004
V501E	ALU TAPE	3cmX20cm ELECTRIC	474363002000
	WIRE ASSY	ELO012526 ET17	531001202700
	ET17 CRT ITOUCH ASSY	ET17	571717402000A
	ADHESIVE DOUBLE TAPE	ELO W=3.14mm L=33M/R	820303300101
	GEL	602-GEL ELO 10ml	830100200301
	UV GLUE	Elo (6-20288)	830101400101
	UV INK 160173	ELO (M16979-05-N) 700g	830200100101

ET1745C-4SWE-1			
CIRCUITREF	DESCRIPTION		PART NO.
V501B	COIL DEGAUSSING	2UEW 17	321400001207 321400001200 321400001213
V501C	COIL ROTATION	300 TURNS L=200mm	321760000200
5S04M	GASKET	20X20X20	474400000300
T10A	WIRE ASS'Y 012379	XHP2-10 1007#26 L=255mm	531000200700
V501D	WIRE ASSY 1015#22	SGF-STO L=170/110+SLEEVE	531000203300
W204	WIRE ASS'Y 012378	DSUB9-10 2651#28 L=305mm	531000900500
W201	SIGNAL CABLE 6715008201	DSUB-15PX2 1830mm HP	531311800800
W203	SIGNAL CABLE 1830mm HP	DSUB-9PX2 PE0145	531311800900
V501CA,V501CC	CABLE TIE PLT1M	L=100mm 7130K12	532000001000
V501A	CRT GROUNDING WIRE	0.12/64 1015#22 ET17	532500005500
W001	AC POWER CORD 918850-000	1.5M BK UL MTW UNSHIELD	533000120500
W002	AC POWER CORD D57513-000	1.5M BK VDE MTW UNSHIELD	533000320800
	ET17 NEW M/B RIVET ASSY	ET17	571717303000D
	ET17 CRT iTOUCH ASSY	ET17	571717402000A
	ET17/19 CRT BOARD ASSY	ET17/19	571909304000A
	IT SERIAL CONTROL BD	351077-000	581512302001A
6F12	MINI BEZEL	ET17 (NEW)	710102500101
6F22	SQUARE BEZEL	ET1745C A71324-000	710103100101
6F08S	KNOB	ET17 ATRONIC	711102000101
6F08N,6F08R	PCB SUPPORT R0180L2000	PINGOOD SCB-5 (ET1)	711901900101
6F18F	PLASTIC WASHER	W8X4.1X2t	712001600101
T10B	MOVABLE TIE	PINGOOD (BST-6A)	712100800101
6F18D	SNAP CLIP	SN-01G	712301500101
6F18E	SNAP CLIP	SN-01GB	712301600101
6F10	BRACKET	REAR (ELO) 15	720114500102
6F08	BRACKET	CONTROLLER ET1 (ELO)	720115200201
6F01,6F02	TOP CHASSIS	ET17 (ELO)	720115600101
6F03,6F04	BRANCE	ET17 (ELO)	720115800303
6F06	BRANCE ANGLE LEFT	ET17 (ELO)	720115900101
6F07	BRANCE ANGLE RIGHT	ET17 (ELO)	720116000101
6F13,6F14	BRACKET-ITEM 1	ET17 SD502708 ITEM 1	720132600101
6F15,6F16	BRACKET-ITEM 2	ET17 SD502708 ITEM 2	720132700101
6F17	BRACKET COVER-ITEM 3	ET17 SD502708 ITEM 3	720132800101
6F18	TOP BRACKET-ITEM 4	ET17 SD502708 ITEM 4	720132900101
6F19	MAIN BOARD COVER-ITEM 6	ET17 SD502708 ITEM 6	720133100101
6F20	BRACKET RIGHT-ITEM 7	ET17 SD502708 ITEM 7	720133200301
6F21	BRACKET LEFT -ITEM 8	ET17 SD502708 ITEM 8	720133300102
V501P	CAUTION LABEL	25KV	740202400101
6B01M	HI POT LABEL		740202700101
	WARNING LABEL	D.I FOR CARTON (ELO)	740203200101
6F10A	CAUTION LABEL	28KV	740203400101
V501Q	CRT LABEL	FOR CPT ASAHI	740402400101
6F08T	VR LABEL	ET1 KNOB	740402900101
	BLANK B/C LABEL	T=0.05 76X57.6	741200700101

6F18C	RIBBON	RICOH B-110A 110mmX300M	741300200101
6F17B	MYLAR	SR53 160X160X0.25t	750200100101
6F18B,6F19B	RUBBER	GRMMT-EDGE	760301800101
5S05M,5S06M,	WIPER BLADE EXTRUEDE	ELO 700307	760400100101
6F06M,6F07M,	SCREW	CPM M4X45 BLK	771107150401
6F10M,6F13A,	SCREW	CPMSP 4.0X8 Zn	771177050102
6F14A,6F15A,			
6F16A,6F17A,			
6F19A,6F20A,			
6F21A			
6F12M	SCREW	CPMSP M4.0X10 Zn-Cc	771177060201
6F18A	SCREW	CPMSP M4.0X20 Zn-Cc	771177100201
6F03M,6F04M	SCREW	CPMSP M6X8 Zn	771179050101
6F08M,6F08P,	SCREW	CPTSPB 3.0x8 Zn-Cc	771376050201
6F08Q			
W204M	SCREW R0313L41C	IOHMF 4-40 Ni	775106050301
6F12N	SCREW	IOHM M4X10+M6X15 Zn	775117060101
6F12P	WASHER	16X9.5X6.1	791200020101
1P21	PE BAG	900x500x440x0.03t	810202500101
1P11B	DRIER SILICA GEL	ELO 15 (40g)	810400300101
6F19B	SPONGE	25X25X18mm	810501200101
1P01	EPE FOAM (T)	ET17 KIOSK	810706900101
1P02	EPE FOAM (B)	ET17 KIOSK	810707000101
1P22	ZIP BAG R0273A14	210X295X0.04t	811200400101
1P11	CARTON	ET1745C-4XWE-1	820109800101
V501E,V501F	TAPE MYLAR	3M#898 19mmX50M	820300400101
6F12Q	BEZ-GASKET	ET17/19/21	820305100101
	END UNIT LABEL	(INNE)	820600500101
	BLANK LABEL	(50X35)	820604200101
	BLANK BARCODE LABEL	ELO 100X100	820606200101
2P03	QUICK START GUIDE	ET15/17/19 KIOSK	821104400101
2P02	GUIDE TOOLS CD	ELO REV.J	821500101101
1P06	PALLET	WOODEN 1120X1160X130mm	821601900101
	GLUE HOT MELT CLEARSTICK	ELO (160108)	830100300101
	LOCTITE	ELO (262)	830100400101
6F17C	GLUE	CHEMITSEAL Q-706T	830101600101
6F12	FLUOROSYL 998307	FSD2500-16 ELO	830200300101
571717402000A (ET17 CRT ItoUCH ASSY)			
CIRCUITREF	DESCRIPTION		PART NO.
V501	CRT (Asahi)	0.27mm M41AGE93X46C(L)	411702702004
V501E	ALU TAPE	3cmX20cm ELECTRIC	474363002000
	WIRE ASSY	ELO012526 ET17	531001202700
	ET17 CRT ITOUCH ASSY	ET17	571717402000A

	ADHESIVE DOUBLE TAPE	ELO W=3.14mm L=33M/R	820303300101
	GEL	602-GEL ELO 10ml	830100200301
	UV GLUE	Elo (6-20288)	830101400101
	UV INK 160173	ELO (M16979-05-N) 700g	830200100101

ET1745C-4UWE-1			
CIRCUITREF	DESCRIPTION		PART NO.
V501B	COIL DEGAUSSING	2UEW 17	321400001207 321400001200 321400001213
V501C	COIL ROTATION	300 TURNS L=200mm	321760000200
	CONTROLLER IT USB	ELO 714259-000	474000000400
5S04M	GASKET	20X20X20	474400000300
T10A	WIRE ASS'Y 012379	XHP2-10 1007#26 L=255mm	531000200700
V501D	WIRE ASSY 1015#22	SGF-STO L=170/110+SLEEVE	531000203300
W204	SIGNAL CABLE 012572	USB CABLE B-B 380mm BK	531300300200
W201	SIGNAL CABLE 6715008201	DSUB-15PX2 1830mm HP	531311800800
W203	SIGNAL CABLE CORE 012571	USB CABLE A-B 1830mm HP	531311802200
V501CA,V501CC	CABLE TIE PLT1M	L=100mm 7130K12	532000001000
V501A	CRT GROUNDING WIRE	0.12/64 1015#22 ET17	532500005500
W001	AC POWER CORD 918850-000	1.5M BK UL MTW UNSHIELD	533000120500
W002	AC POWER CORD D57513-000	1.5M BK VDE MTW UNSHIELD	533000320800
	ET17 NEW M/B RIVET ASSY	ET17	571717303000D
	ET17 CRT ITOUCH ASSY	ET17	571717402000A
	ET17/19 CRT BOARD ASSY	ET17/19	571909304000A
6F12	MINI BEZEL	ET17 (NEW)	710102500101
6F22	SQUARE BEZEL	ET1745C A71324-000	710103100101
6F08S	KNOB	ET17 ATRONIC	711102000101
6F08N,6F08R	PCB SUPPORT R0180L2000	PINGOOD SCB-5 (ET1)	711901900101
6F18F	PLASTIC WASHER	W8X4.1X2t	712001600101
T10B	MOVABLE TIE	PINGOOD (BST-6A)	712100800101
6F18D	SNAP CLIP	SN-01G	712301500101
6F18E	SNAP CLIP	SN-01GB	712301600101
6F10	BRACKET	REAR (ELO) 15	720114500102
6F08	BRACKET	CONTROLLER ET1 (ELO)	720115200201
6F01,6F02	TOP CHASSIS	ET17 (ELO)	720115600101
6F03,6F04	BRANCE	ET17 (ELO)	720115800303
6F06	BRANCE ANGLE LEFT	ET17 (ELO)	720115900101
6F07	BRANCE ANGLE RIGHT	ET17 (ELO)	720116000101
6F13,6F14	BRACKET-ITEM 1	ET17 SD502708 ITEM 1	720132600101
6F15,6F16	BRACKET-ITEM 2	ET17 SD502708 ITEM 2	720132700101
6F17	BRACKET COVER-ITEM 3	ET17 SD502708 ITEM 3	720132800101
6F18	TOP BRACKET-ITEM 4	ET17 SD502708 ITEM 4	720132900101
6F19	MAIN BOARD COVER-ITEM 6	ET17 SD502708 ITEM 6	720133100101
6F20	BRACKET RIGHT-ITEM 7	ET17 SD502708 ITEM 7	720133200301
6F21	BRACKET LEFT -ITEM 8	ET17 SD502708 ITEM 8	720133300102
V501P	CAUTION LABEL	25KV	740202400101
6B01M	HI POT LABEL		740202700101
	WARNING LABEL	D.I FOR CARTON (ELO)	740203200101
6F10A	CAUTION LABEL	28KV	740203400101
V501Q	CRT LABEL	FOR CPT ASAHI	740402400101
6F08T	VR LABEL	ET1 KNOB	740402900101
	BLANK B/C LABEL	T=0.05 76X57.6	741200700101

6F18C	RIBBON	RICOH B-110A 110mmX300M	741300200101
6F17B	MYLAR	SR53 160X160X0.25t	750200100101
	RUBBER	GRMMT-EDGE	760301800101
6F18B,6F19B	WIPER BLADE EXTRUEDE	ELO 700307	760400100101
W204M	SCREW	CPM M4X45 BLK	771107150401
5S05M,5S06M,	SCREW	CPMSP 3X10 Ni	771176060301
6F06M,6F07M,	SCREW	CPMSP 4.0X8 Zn	771177050102
6F10M,6F13A,			
6F14A,6F15A,			
6F16A,6F17A,			
6F19A,6F20A,			
6F21A			
6F12M	SCREW	CPMSP M4.0X10 Zn-Cc	771177060201
6F18A	SCREW	CPMSP M4.0X20 Zn-Cc	771177100201
6F03M,6F04M	SCREW	CPMSP M6X8 Zn	771179050101
6F08M,6F08P,	SCREW	CPTSPB 3.0x8 Zn-Cc	771376050201
6F08Q			
6F12N	SCREW	IOHM M4X10+M6X15 Zn	775117060101
6F12P	WASHER	16X9.5X6.1	791200020101
1P21	PE BAG	900x500x440x0.03t	810202500101
1P11B	DRIER SILICA GEL	ELO 15 (40g)	810400300101
6F19B	SPONGE	25X25X18mm	810501200101
1P01	EPE FOAM (T)	ET17 KIOSK	810706900101
1P02	EPE FOAM (B)	ET17 KIOSK	810707000101
1P22	ZIP BAG R0273A14	210X295X0.04t	811200400101
1P11	CARTON	ET1745C-4XWE-1	820109800101
V501E,V501F	TAPE MYLAR	3M#898 19mmX50M	820300400101
6F12Q	BEZ-GASKET	ET17/19/21	820305100101
	END UNIT LABEL	(INNE)	820600500101
	BLANK LABEL	(50X35)	820604200101
	BLANK BARCODE LABEL	ELO 100X100	820606200101
2P03	QUICK START GUIDE	ET15/17/19 KIOSK	821104400101
2P02	GUIDE TOOLS CD	ELO REV.J	821500101101
1P06	PALLET	WOODEN 1120X1160X130mm	821601900101
	GLUE HOT MELT		
	CLEARSTICK	ELO (160108)	830100300101
	LOCTITE	ELO (262)	830100400101
6F17C	GLUE	CHEMITSEAL Q-706T	830101600101
6F12	FLUOROSYL 998307	FSD2500-16 ELO	830200300101
571717402000A (ET17 CRT ItoUCH ASSY)			
CIRCUITREF	DESCRIPTION		PART NO.
V501	CRT (Asahi)	0.27mm M41AGE93X46C(L)	411702702004
V501E	ALU TAPE	3cmX20cm ELECTRIC	474363002000
	WIRE ASSY	ELO012526 ET17	531001202700
	ET17 CRT ITOUCH ASSY	ET17	571717402000A

	ADHESIVE DOUBLE TAPE	ELO W=3.14mm L=33M/R	820303300101
	GEL	602-GEL ELO 10ml	830100200301
	UV GLUE	Elo (6-20288)	830101400101
	UV INK 160173	ELO (M16979-05-N) 700g	830200100101

ET1788C-ONWA-1, ET1788C-4SWA-1, ET1788C-4UWA-1

Common Parts

571909304000A (ET17/19 CRT BOARD ASSY)

571717303000E (ET17F M/B RIVET ASSY)

571909304000A (ET17/19 CRT BOARD ASSY)

CIRCUITREF	DESCRIPTION		PART NO.
R711,R712,R713,R714, R736	RES CF	1/8W 100ohm J T	211003010100
R710,R737	RES CF	1/8W 1K J(+/-5%) T	211003010200
R707,R735	RES CF	1/8W 10K J(+/-5%) T	211003010300
R708,R709,R722,R723, R724	RES CF	1/8W 220ohm J(+/-5%) T	211003022100
R729,R730,R731	RES CF	1/8W 220K J T	211003022400
R704,R705,R706	RES CF	1/8W 330ohm J T	211003033100
R726,R727,R728	RES CF	1/8W 56ohm J T	211003056000
R701,R702,R703	RES CF	1/8W 75ohm J T	211003075000
R738	RES CF	1/4W 100ohm J T	211103010100
R732,R733,R734	RES CF	1/4W 56ohm J T	211103056000
R742	RES CF	1/2W 100K J T	211203010400
R741	RES MOF	1W 3.3ohm J 12.5	212501033800
C704	CAP ELEC	100uF M 10V 105 TAPING	261201310100
C708	CAP ELEC	22uF M 10V 105 T	261201322000
C710	CAP ELEC	10uF M 50V 105 T (20%)	261205310000
C722,C727	CAP ELEC	2.2uF M 100V 105 TAPING	261208322800
C716,C717,C718	CAP ELEC	1uF M 100V 105 NK T	261328310800
C709	CAP CERAMIC	100PF K 50V Y5P T	272001310100
C705	CAP CERAMIC	220PF K 500V Y5P T	272004322100
C724	CAP CERAMIC	560PF K 500V Y5P T	272004356100
C711,C719,C720,C721, C726	CAP CERAMIC	0.01uF M 500V Z5U T	272104310300
C723	CAP CERAMIC	0.01uF M 1KV Z5U 7.5 20%	272105110300
C707,C712,C713,C714, C715,C725	CAP CERAMIC	0.1uF Z 50V Y5V T (20%)	272201310400
C701,C702,C703	CAP PLASTIC	0.022uF J 50V PEI T	281001322300
L704,L705,L706	COIL PEAKING	0.22uH K T	323053022900
D701,D702,D703,D704, D705,D706	DIODE	FDH400.TR D0-35	370503040000
D707,D708,D709,D711	DIODE	1N4148(1A/75V) T	371303107500
U701	IC	LM1269 NS	381000026905
U703	IC	LM2469TA	381100046905
U702	IC	LM2480 NS	381100048005
U704	IC	L7805CV 3	382600080510
	PCB NECK CEM-I T1.6/1oz	L82xW90mm FOR ET17 /19	441100310100
CRTA	SOCKET CRT	ISDW01S 01S44C INCHANGE	450010001700
G2	GT PIN	R=1.56mm l=13mm	452001561300

T704	GT PIN	R=2.36mm L=14mm	452002361400
T701	BASE PIN	2.5mm 7PIN R/A	452112500700
T703	BASE PIN	2.0mm 6PIN RA	453012000600
T702	BASE PIN	2.0mm 9PIN RA	453012000900
C728,K701,K702,K703, K704	SPARK GAP	1.2KV	473500312200
J702,J703,J710	JUMPER WIRE	PITCH=7.5mm	531400007500
J701,J705,R719,R720, R721	JUMPER WIRE	PITCH=10mm	531400010000
J706,J707,J708,J711	JUMPER WIRE	PITCH=12.5mm	531400012500
J704	JUMPER WIRE	PITCH=15mm	531400015000
J709	JUMPER WIRE	PITCH=20mm	531400020000
5S04	ET17/19 CRT BOARD ASSY	ET17/19	571909304000A
U703N	VIDEO SHIELDING	GAME	720305200101
U703M	HEAT SINK	60LX24WX30.5H 13mm	730401900301
	SCREW	CTTWE 3.0x8 Zn	773656050201

571717303000E ((ET17F M/B RIVET ASSY))

CIRCUITREF	DESCRIPTION		PART NO.
R220,R502,R623	RES CF	1/8W 10ohm J T	211003010000
R134,R135,R136,R137, R146,R147,R223,R224, R225	RES CF	1/8W 100ohm J T	211003010100
R104,R106,R110,R112, R117,R131,R133,R138, R207,R226,R511,R519, R522,R523,R527,R562, R565,R621,R635,R638	RES CF	1/8W 1K J(+/-5%) T	211003010200
R142,R228,R310,R529, R537,R631,R807	RES CF	1/8W 10K J(+/-5%) T	211003010300
R202,R231	RES CF	1/8W 100K J T	211003010400
R229	RES CF	1/8W 10M J T	211003010600
R227	RES CF	1/8W 120K J T	211003012400
R309	RES CF	1/8W 13K J T	211003013300
R156,R308,R520,R526	RES CF	1/8W 1.5K J T	211003015200
R212	RES CF	1/8W 15K J T	211003015300
R625	RES CF	1/8W 150K J T	211003015400
R210	RES CF	1/8W 1.8K J T	211003018200
R501,R503,R619,R627	RES CF	1/8W 18K J T	211003018300
R515	RES CF	1/8W 200K J T	211003020400
R230	RES CF	1/8W 2M J T	211003020500
R103,R111,R113,R114, R122,R123,R124,R125, R126,R127,R128,R143, R144,R200,R205,R206, R208,R222,R554	RES CF	1/8W 220ohm J(+/-5%) T	211003022100

R159,R232	RES CF	1/8W 2.2K J T	211003022200
R211	RES CF	1/8W 22K J T	211003022300
R145,R626	RES CF	1/8W 2.4K J T	211003024200
R541	RES CF	1/8W 24K J T	211003024300
R155	RES CF	1/8W 2.7K J(+/-5%) T	211003027200
R105	RES CF	1/8W 27K J T	211003027300
R540	RES CF	1/8W 300K J T	211003030400
R539	RES CF	1/8W 330ohm J T	211003033100
R508,R516,R628	RES CF	1/8W 33K J T	211003033300
R524,R538	RES CF	1/8W 3.9K J(+/-5%) T	211003039200
R213	RES CF	1/8W 39K J T	211003039300
R632	RES CF	1/8W 390K J T	211003039400
R217	RES CF	1/8W 43K J T	211003043300
D511,R101,R102	RES CF	1/8W 470ohm J T	211003047100
R108,R109,R115,R116, R118,R119,R120,R121, R129,R130,R132,R154, R517,R560,R561,R568, R569	RES CF	1/8W 4.7K J(+/-5%) T	211003047200
R218,R802	RES CF	1/8W 47K J T	211003047300
R209,R311	RES CF	1/8W 5.6K J T	211003056200
R203	RES CF	1/8W 56K J T	211003056300
R158,R521	RES CF	1/8W 680ohm J T	211003068100
R543,R570	RES CF	1/8W 6.8K J T	211003068200
R518	RES CF	1/8W 68K J T	211003068300
R633	RES CF	1/8W 750ohm J T	211003075100
R219,R221	RES CF	1/8W 75K J T	211003075300
R622	RES CF	1/8W 82ohm J T	211003082000
R233	RES CF	1/8W 8.2K J T	211003082200
R507	RES CF	1/4W 100ohm J T	211103010100
R157,R204,R551	RES CF	1/4W 1K J T	211103010200
R542,R548	RES CF	1/4W 47ohm J T	211103047000
R637	RES CF	1/4W 470ohm J T	211103047100
R510	RES CF	1/4W 4.7K J T	211103047200
R201	RES CF	1/4W 680ohm J T	211103068100
R528	RES CF	1/4W 75ohm J T	211103075000
R513	RES CF	1/2W 1K J T	211203010200
R509	RES CF	1/2W 100K J T	211203010400
R601	RES CF	1/2W 1M J T	211203010500
R313	RES CF	1/2W 1ohm J T	211203010800
R307	RES CF	1/2W 1.2ohm J T	211203012800
R641	RES CF	1/2W 180K J T	211203018400
R545	RES CF	1/2W 220ohm J T	211203022100
R304A,R305,R305A, R306,R306A,R533	RES CF	1/2W 2.2ohm J T	211203022800

R301,R301A,R302, R303,R304	RES CF	1/2W 3.9ohm J T	211203039800
R312	RES CF	1/2W 560ohm J T	211203056100
R636	RES CF	1/2W 680ohm J T	211203068100
R640	RES CF	1/2W 68K J T	211203068300
R639	RES CF	1/2W 680K J T	211203068400
R512	RES CF	1/2W 82K J T	211203082300
R505	RES HIGH	1/2W 18M T	211223018600
R571	RES MF	1/4W 1M F T	212103010500
R552	RES MOF	1W 47ohm J 12.5	212501047000
R536	RES MOF	2W 100K J(+/-5%) P:15mm	212601010400
R530	RES MOF	2W 0.18ohm J 15	212601018900
R615,R616	RES MOF	2W 68K J 15	212601068300
R617	RES MOF	3W 4.7K J 20	212701047200
R514	RES MOF	3W 56ohm J 20	212701056000
R525	RES MOF	3W 68ohm J 20	212701068000
R620	RES MOF normal sizee	5W 0.27ohm J KINK P=5	212852027900
L604	RES FUSIBLE(MF)	1/4W 0.33 J T	213653033900
R504,R535	RES FUSIBLE(MF)	1W 100 J P=12.5	213671010100
R572	RES FUSIBLE(MF)	2W 120 J P=15	213681012100
VR501	VR SEMI-FIXED	B 20K M D=6 V 0.1W CF	221300020300
VR601	VR SEMI-FIXED	B 1K M D=6 H 0.1W CF	221400010200
R600	PTCR	9ohm DGC2R9R0Q27A 2PIN	231000009000
R602	NTCR	3A 5ohm SCK053	231103050800
R614	VARISTOR 1A/150V PANJIT	P6KE150A/5W DO-41	232500000000
SW5	ENCODER DC11B2021401	FORWARD FOR ET21	232600000700
C101,C104,C114	CAP ELEC	100uF M 10V 105 TAPING	261201310100
C622	CAP ELEC	220uF M 10V 105 TAPING	261201322100
C116	CAP ELEC	470uF M 10V 105 TAPING	261201347100
C217	CAP ELEC	10uF M 16V 105 T	261202310000
C612,C635	CAP ELEC	100uF M 16V 105 TAPING	261202310100
C301,C302,C626,C629	CAP ELEC	1000uF M 16V 105 +/-20%T	261202310200
C222	CAP ELEC	220uF M 16V 105 TAPING	261202322100
C106,C111,C212,C218	CAP ELEC	47uF M 16V 105 TAPING	261202347000
C628	CAP ELEC	2200uF M 25V 105 7.5	261203122200
C619	CAP ELEC	100uF M 25V 105 T	261203310100
C502	CAP ELEC	220uF M 25V 105 TAPING	261203322100
C620	CAP ELEC	47uF M 25V 105 T (20%)	261203347000
C307	CAP ELEC	220uF M 35V 105 TAPING	261204322100
C112,C113,C223,C537	CAP ELEC	10uF M 50V 105 T (20%)	261205310000
C513	CAP ELEC	1uF M 50V 105 TAPING	261205310800
C206,C216,C225,C547, C634	CAP ELEC	2.2uF M 50V 105 TAPING	261205322800
C105	CAP ELEC	3.3uF M 50V 105 TAPING	261205333800
C505	CAP ELEC	47uF M 50V 105 TAPING	261205347000
C633	CAP ELEC	100uF M 100V 105 T	261208310100

C509	CAP ELEC	10uF M 200V 105 TAPING	261211310000
C632	CAP ELEC	100uF M 250V 105 P=7.5	261212110100
C572	CAP ELEC	0.47uF M 250V 105 T	261212347900
C611	CAP ELEC HP(25X35)	150uF M 105 400V	262204215100
C107,C108	CAP CERAMIC	22PF J 50V NPO T	271501322000
C609	CAP CERAMIC	47PF J 500V NPO T	271504347000
C121,C201,C202,C618	CAP CERAMIC	100PF K 50V Y5P T	272001310100
C120	CAP CERAMIC	1000PF K 50V Y5P T (20%)	272001310200
C227	CAP CERAMIC	220PF K 50V Y5P T	272001322100
C616	CAP CERAMIC	470PF K 50V Y5P T	272001347100
C602,C605	CAP CERAMIC	100PF K 500V Y5P T	272004310100
C531	CAP CERAMIC	220PF K 500V Y5P T	272004322100
C527	CAP CERAMIC	1000PF K 1KV Y5P T	272005310200
C614	CAP CERAMIC	150PF K 1KV Y5P T	272005315100
C540	CAP CERAMIC	220PF K 1KV Y5P T	272005322100
C532A	CAP CERAMIC	47PF K 1KV Y5P T	272005347000
C528,C533,C630	CAP CERAMIC	0.01uF M 500V Z5U T	272104310300
C503,C613	CAP CERAMIC	0.01uF M 1KV Z5U 7.5 20%	272105110300
C103,C109,C110,C115, C211,C303,C500,C500A, C501,C525,C526,C621, C623,C627	CAP CERAMIC	0.1uF Z 50V Y5V T (20%)	272201310400
C118	CAP PLASTIC	0.22uF J 50V PEI 10	281001122400
C210,C213,C215,C514	CAP PLASTIC	0.001uF J 50V PEI T	281001310200
C204,C207,C305,C306, C510,C517,C522	CAP PLASTIC	0.01uF J 50V PEI T	281001310300
C209,C226,C508,C516	CAP PLASTIC	0.1uF J 50V PEI T	281001310400
C515	CAP PLASTIC	0.012uF J 50V PEI T	281001312300
C224	CAP PLASTIC	0.15uF J 50V PEI T	281001315400
C504,C617	CAP PLASTIC	0.0022uF J 50V PEI T	281001322200
C539,C541,C801	CAP PLASTIC	0.022uF J 50V PEI T	281001322300
C518	CAP PLASTIC	0.0033uF J 50V PEI T	281001333200
C102,R140	CAP PLASTIC	0.0047uF J 50V PEI T	281001347200
C308	CAP PLASTIC	0.0068uF J 50V PEI T	281001368200
C530,C532	CAP PLASTIC	0.082uF J 50V PEI T	281001382300
C205	CAP PLASTIC	820PF J 100V PPN T	281201382100
C507	CAP PLASTIC	0.0039uF J 630V PPN 10	281204139200
C506	CAP PLASTIC PPS	0.0051uF J 1.6KV 22.5	281308151200
C523	CAP PLASTIC	0.00022uF 2KV PPS J 15	281309122100
C524	CAP PLASTIC	0.033uF J 250V MEF 10	281405133300
C220	CAP PLASTIC	0.15uF J 63V MEB T	281502315400
C203,C304,C512	CAP PLASTIC	0.22uF J 63V MEB T (5%)	281502322400
C219	CAP PLASTIC	0.47uF J 63V MEB T	281502347400
C535,C536	CAP PLASTIC	0.22uF J 250V MPP 15	281602122400
C538	CAP PLASTIC	0.68uF J 250V MPP 20	281602168400

C534	CAP PLASTIC	0.27uF J 400V MPP 15	281603327400
C601	CAP X	0.22uF AC 250V/300V 22.5	291000022400
C610,C615	CAP Y1	4700PF AC 250V (AH)	291250047200
L505	LINEARITY COIL	0A 6uH ET19	321000002300
L507	COIL CHOKE	17uH	321200001300
L510	COIL CHOKE	3mH	321200003500
L602	AC LINE FILTER	35mH	321300100700
G2B	CORE	1-T-20x10x10-EM2	321500002300
L608	COIL BEAD	6mmX10mm	321503000400
J05,L102,L501,L502, L603,L606,L609,L610, L612	COIL BEAD	3.5mmX6mm	321503001000
J28,J28A,L503	CORE BEAD	3.5X9X0.8	321503001300
L601,L601A	CORE RING	35uH	321700001000
D202	COIL PEAKING	10uH K T (EC24)	323053010000
T601	TRANSFORMER	POWER UD1	331000002000
T501	TRANSFORMER	FBT ET17	331100002300
T504	TRANSFORMER	FOCUS	331250000600
T503	TRANSFORMER	COUPLING	331250000700
T502	TRANSFORMER H-DRIVER	L:53uH+/-20%,LK:160uH	331300000800
Q608	TRANSISTOR	2SA673AC	361103067300
Q201,Q503,Q506,Q515	TRANSISTOR	2SA733P	361103073300
Q610,Q611	TRANSISTOR	2SA1020Y T	361103102000
Q508	TRANSISTOR	2SC5387(HFE)	361300538700
Q101,Q202,Q203,Q204, Q504,Q511,Q514,Q523, Q524,Q525,Q527,Q603, Q606,Q607	TRANSISTOR TAPING	H945P / C945P	361303094500
Q609	TRANSISTOR	2SC1213AC T	361303121300
Q507	TRANSISTOR	2SK941	361500094100
Q501	TRANSISTOR	SSS6N60A	361550066000
Q602	TRANSISTOR	SSS7N80A	361550078000
Q513	TRANSISTOR	BF420 T	361603042000
Q502	TRANSISTOR	BF423 T	361603042300
Q516	TRS. N-MOSFET FAIRCHILD	IRFS740B 10A/400V TO220F	361700074000
Q517,Q518	TRANSISTOR	IRFS630A/CEFF630	361703063000
D502,D508	DIODE UF4005G JIT	1A/600V 50-75ns T	371203100600
D619,D619B	DIODE UF4007 JIT	1A/1000V 50-75ns T	371213101000
D101,D102,D204,D503, D505,D507,D512,D610, D613,D618	DIODE	1N4148(1A/75V) T	371303107500
D509	DIODE (2A/400V)	UGP20G/SF20GG KINK P=20	371721200400
Q509	DIODE	BY329X-1500S 5A/1500V	371960501504
D201,D513,D612,D801	DIODE 1A/100V T	FR102/PR1002	372153100100
D516,D611	DIODE 1A/400V T	FR104/PR1004	372153100400

D609	DIODE 1A/600V T	PR1005	372153100600
D301	DIODE 1A/1KV T	FR107/PR1007	372153101000
D617	DIODE	HER304 3A/300V KINK P=20	372201300325
D615	DIODE	HER305 3A/400V KINK P=20	372201300425
D621	DIODE 3A/800V KINK P=20	UF3006	372201300824
D622	DIODE 3A/1KV KINK P=20	UF3007	372201301024
D517	DIODE 1A/100V T	HER102/UF1002	372203100100
D616,D624	DIODE 2A/400V T	HER205/UF2004	372203200400
D608	DIODE 2A/800V T	HER207/UF2006	372203200800
D601	DIODE BRIDGE	PBL406/KBL406(4A/800V)	373000400800
LED1	LED	D=3mm GREEN L-34GD	373502100300
D605	DIODE ZENER HITACHI	1/2W HZ4C3 DO-35 T	375003043300
D610A,R804	DIODE ZENER	1/2W HZ5C2 5.0V-5.2V T	375003053200
D510	DIODE ZENER	1/2W HZ15-2 T	375003150200
D619A	DIODE ZENER	1/2W HZ20-3 20.2-21.1 T	375003200300
D515	DIODE ZENER	1/2W HZ36-2 T	375003360200
D504	ZENER DIODE	1W Z150A 150V 10% T	375503015100
U301	IC	TDA8172 vertical process	381300017210
U201	IC	TDA9113	381400011310
U602	IC	UC3842AM 8	382500084227
U501	IC	HA17812 3	382600081201
Q505	IC	TL431	382660043144
U603	IC	LM2940 3	382700094005
U102	IC	AT24C04 8	384300040425
U103	IC	WT6804 16	384300080416
U101	MASK MCU ELO	UD7/TE6/ETx REV1.0	384915930116
RL501	RELAY 1P2T 12V JS1-12V	AJS-1311 NAIS	432001200700
RL601	RELAY	2P1T 12V FTR-F4AK012T	432002101000
	PCB MAIN CEMI-1 T1.6/1oz	246x249mm REV.01 ET15/17	441000470100
U101A	IC SOCKET	40PIN 2.54mm D=15.24	450050404000
F601A	CLIP FUSE	5X20mm t=0.4mm	450065200200
TB2	GT PIN	R=1.56mm l=13mm	452001561300
R525A	GT PIN	R=2.36mm L=20mm	452002362000
R525B	GT PIN	R=2.36mm L=20mm	452002362000
T12	BASE PIN	2.0mm 2PIN	452072000200
T10	BASE PIN	2.5mm 2PIN	452102500200
T3	BASE PIN	2.5mm 5PIN	452102500500
T8	BASE PIN	2.5mm (NARROW) 3P	452142500300
T7	BASE PIN	5-7.5mm 2PIN A1561WV2-2P	452205750200
T5	BASE PIN	8-10mm 4PIN JS-1122-4	452258100400
DOWNLOAD	PIN HEADER	2.54mm 2PINX1ROW	452802500200
T11A	PIN HEADER L=4.0mm	2.54mm 6PINX1ROW RA	452862500600
T9A	PIN HEADER L=4.0mm	2.54mm 13PINX1ROW RA	452862501300
T4A	BASE PIN	2.0mm 6PIN RA	453012000600
F601	FUSE GLASS TUBE 5TT3 BEL	3A 250V S-B 5*20 UL/CSA	471100030000
F602,J21	FUSE PICO	2A 125V F-B 251	471503020000

X101	CRYSTAL	12MHZ (HC-49/U)	473000120000
U301T	SILICON INSULATOR	TO-220 13mmX18.5mm	475000100100
Q602P	SILICON RUBBER TO-2025A	20mmX25mmx0.45mm	475000200200
Q602N	TRANSISTOR COVER	TR-09	475050000100
W502	WIRE 1500#18 BLK	SRA/ST0(SLEEVE) L=180mm	512006401800
G2	WIRE SVF1/1032#22 WHITE	L=330	523018593300
S101	WIRE ASSY	AC CONNECTOR 3PIN ELO	531000301100
T6	WIRE ASS'Y 2651#28	2mm-6/2mm-6 L=240mm	531000601200
T4	WIRE ASS'Y 2651#28X6C	6P-6P(3,4 CROSS)L=1000mm	531000601900
T2	WIRE ASSY L=330mm	2mm-9/2mm-9 2651#28+CORE	531000900900
W202	SIGNAL CABLE UL20279X13C	DSUB-15/XHP-5-7 L=280mm	531310200300
T1	JUMPER WIRE	PITCH=5mm	531400005000
D803,D804,J01,J13, J15,J16,J31,J37,J38, J39,J40,J42,J43,J47, L611,R148,R149,R153, R574,R803	JUMPER WIRE	PITCH=7.5mm	531400007500
J02,J06,J10,J11,J17, J18,J19,J22,J25,J26, J29,J30,J32,J33,J48, L101,L508,R613,R624	JUMPER WIRE	PITCH=10mm	531400010000
J12,J20,J23,J24,J34, J36,R506,R534	JUMPER WIRE	PITCH=12.5mm	531400012500
J04,J07,J08,J09, J14,L504	JUMPER WIRE	PITCH=20mm	531400020000
R620A	TUBE HOT-SHRINK UL/CSA	D=9X0.25mm L=30mm	531509003000
G2A,G2C	CABLE TIE PLT1M	L=100mm 7130K12	532000001000
	ET17F M/B RIVET ASSY	ET17F	571717303000E
U301P	TRANSISTOR WASHER	PIN GOOD 604S	712000300101
5S01	BRACKET	BACK (ELO)	720114300103
5S05,5S06	BRACKET	FOOT (ELO)	720114400301
5S07	BRACKET	FBT (ET1)	720120500101
5S02	HEAT SINK	SIDE (L) (ELO) ET17/19	730102500101
5S03	HEAT SINK	SIDE (R) (ELO)	730102500401
Q516N	HEAT SINK	60X24X30.5 18mm	730401900101
5S02M,5S03M	SCREW	CPM 3.0x8 Zn-Cc	771106050201
S101N	SCREW	CPTTB 4X8 Zn-Cc	771317050201
5S01N,5S07M, Q516M,W202N	SCREW	CPTSPB 3.0x8 Zn-Cc	771376050201
U301M	SCREW	CPTSPB 3.0x12 Zn-Cc	771376070201
5S07N	SCREW	CTTWC 4.0x10 Zn-Cc	773457060201
5S01M,Q501M, Q508M,Q509M	SCREW	CTTWE 3.0x8 Zn	773656050201
Q602M	SCREW	CTTWE 3.0X14 Zn	773656080201

W202M	SCREW R0313L41C	IOHMF 4-40 Ni	775106050301
U301N	NUT	M3.0 3.0x0.5 Zn-Cc	780203010201
C506R,Q602R, R602R	RIVET	d1.2Xd1.6Xd2.9X3.0L Cr	790800010501
L601AR,L601R, L602R,Q509R	RIVET	d1.4Xd1.8Xd3.0X3.0L Cr	790800020501
D601R,D621R, D622R,L505R, Q508R	RIVET	d1.6Xd2.0Xd4.0X3.0L Cr	790800030501
C611R,S601R, T501R,T601R	RIVET	d1.9Xd2.3Xd3.8X3.0L Cr	790800070501

ET1788C-ONWA-1			
CIRCUITREF	DESCRIPTION		PART NO.
V501B	COIL DEGAUSSING	2UEW 17	321400001207 321400001200 321400001213
V501	CRT	M41AJR53X76(EFLL) 17	411702502504
5S04M	GASKET	20X20X20	474400000300
V501D	WIRE ASSY 1015#22	SGF-STO L=170/110+SLEEVE	531000203300
W201	SIGNAL CABLE 6715008201	DSUB-15PX2 1830mm HP	531311800800
V501CA,V501CC	CABLE TIE PLT1M	L=100mm 7130K12	532000001000
V501A	CRT GROUNDING WIRE	0.12/64 1015#22 ET17	532500005500
	ET17F M/B RIVET ASSY	ET17F	571717303000E
	ET17/19 CRT BOARD ASSY	ET17/19	571909304000A
6F08S	KNOB	ET17 ATRONIC	711102000101
6F10	BRACKET	REAR (ELO) 15	720114500102
6F05	BRACKET	MAIN BOARD ET1 (ELO)	720115100202
6F08	BRACKET	CONTROLLER ET1 (ELO)	720115200201
6F01,6F02	TOP CHASSIS	ET17 (ELO)	720115600101
6F03,6F04	BRANCE	ET17 (ELO)	720115800303
6F06	BRANCE ANGLE LEFT	ET17 (ELO)	720115900101
6F07	BRANCE ANGLE RIGHT	ET17 (ELO)	720116000101
6F22	FENCE	OSD ET1	720139800101
V501P	CAUTION LABEL	25KV	740202400101
6B01M	HI POT LABEL		740202700101
6F08T	VR LABEL	ET1 KNOB	740402900101
	BLANK B/C LABEL	T=0.05 76X57.6	741200700101
6F07T	RUBBER PAD	ET1	760201600101
6F22A	SCREW	CPMSP M3.0x6 Zn-Cc	771176040201
5S05M,5S06M, 6F05M,6F06M, 6F07M,6F10M	SCREW	CPMSP 4.0X8 Zn	771177050101
6F03M,6F04M	SCREW	CPMSP M6X8 Zn	771179050101
6F08M,6F08P, 6F08Q	SCREW	CPTSPB 3.0x8 Zn-Cc	771376050201
6F01M,6F02M	SCREW	CHTM M6X15 Zn	775119080101
1P21	PE BAG	900x500x440x0.03t	810202500101
1P11B	DRIER SILICA GEL	ELO 15 (40g)	810400300101
1P01	EPE FOAM (L)	ET17 FLAT	810701500201
1P02	EPE FOAM (R)	ET17 FLAT	810701600201
1P22	ZIP BAG R0273A14	210X295X0.04t	811200400101
1P11	CARTON	ET17	820105600101
V501E,V501F	TAPE MYLAR	3M#898 19mmX50M	820300400101
	END UNIT LABEL	(INNE)	820600500101
	BLANK LABEL	(50X35)	820604200101
	BLANK BARCODE LABEL	ELO 100X100	820606200101
2P03	QUICK START GUIDE	ET1	821103400103
2P02	GUIDE TOOLS CD	ELO REV.J	821500101101
1P06	PALLET ET17	WOODEN 106X104X13cm	821601000102

ET1788C-4SWA-1			
CIRCUITREF	DESCRIPTION		PART NO.
V501B	COIL DEGAUSSING	2UEW 17	321400001207 321400001200 321400001213
5S04M	GASKET	20X20X20	474400000300
T10A	WIRE ASS'Y 012379	XHP2-10 1007#26 L=255mm	531000200700
V501D	WIRE ASSY 1015#22	SGF-STO L=170/110+SLEEVE	531000203300
W204	WIRE ASS'Y 012378	DSUB9-10 2651#28 L=305mm	531000900500
W201	SIGNAL CABLE 6715008201	DSUB-15PX2 1830mm HP	531311800800
W203	SIGNAL CABLE 1830mm HP	DSUB-9PX2 PE0145	531311800900
V501CA,V501CC	CABLE TIE PLT1M	L=100mm 7130K12	532000001000
V501A	CRT GROUNDING WIRE	0.12/64 1015#22 ET17	532500005500
	ET17F M/B RIVET ASSY	ET17F	571717303000E
	ET17F CRT iTOUCH ASSY	ET17F	571717402000B
	ET17/19 CRT BOARD ASSY	ET17/19	571909304000A
	IT SERIAL CONTROL BD	351077-000	581512302001A
6F12	BEZEL	ELO 17 FLAT	710102300101
6F08S	KNOB	ET17 ATRONIC	711102000101
6F08N,6F08R	PCB SUPPORT R0180L2000	PINGOOD SCB-5 (ET1)	711901900101
T10B	MOVABLE TIE	PINGOOD (BST-6A)	712100800101
6F10	BRACKET	REAR (ELO) 15	720114500102
6F05	BRACKET	MAIN BOARD ET1 (ELO)	720115100202
6F08	BRACKET	CONTROLLER ET1 (ELO)	720115200201
6F01,6F02	TOP CHASSIS	ET17 (ELO)	720115600101
6F03,6F04	BRANCE	ET17 (ELO)	720115800303
6F06	BRANCE ANGLE LEFT	ET17 (ELO)	720115900101
6F07	BRANCE ANGLE RIGHT	ET17 (ELO)	720116000101
6F22	FENCE	OSD ET1	720139800101
V501P	CAUTION LABEL	25KV	740202400101
6B01M	HI POT LABEL		740202700101
	WARNING LABEL	D.I FOR CARTON (ELO)	740203200101
6F08T	VR LABEL	ET1 KNOB	740402900101
	BLANK B/C LABEL	T=0.05 76X57.6	741200700101
	RIBBON	RICOH B-110A 110mmX300M	741300200101
6F07T	RUBBER PAD	ET1	760201600101
	WIPER BLADE EXTRUEDE	ELO 700307	760400100101
6F12R	SCREW	CPM M6X12 Zn	771109070101
6F22A	SCREW	CPMSP M3.0x6 Zn-Cc	771176040201
5S05M,5S06M, 6F05M,6F06M, 6F07M,6F10M	SCREW	CPMSP 4.0X8 Zn	771177050101
6F03M	SCREW	CPMSP M6X8 Zn	771179050101
6F04M			
6F08M,6F08P, 6F08Q	SCREW	CPTSPB 3.0x8 Zn-Cc	771376050201

W204M	SCREW R0313L41C	IOHMF 4-40 Ni	775106050301
6F12Q	SCREW	IOHM M6X15X15	775109170101
6F12N	WASHER	P 6.4X13x1.0 Zn	790100230101
6F12M	SPRING WASHER	S 6.4X14X1.2t	790900010301
1P21	PE BAG	900x500x440x0.03t	810202500101
1P11B	DRIER SILICA GEL	ELO 15 (40g)	810400300101
1P01	EPE FOAM (L)	ET17 FLAT	810701500201
1P02	EPE FOAM (R)	ET17 FLAT	810701600201
1P22	ZIP BAG R0273A14	210X295X0.04t	811200400101
1P11	CARTON	ET17	820105600101
V501E,V501F	TAPE MYLAR	3M#898 19mmX50M	820300400101
	END UNIT LABEL	(INNE)	820600500101
	BLANK LABEL	(50X35)	820604200101
	BLANK BARCODE LABEL	ELO 100X100	820606200101
2P03	QUICK START GUIDE	ET1	821103400103
2P02	GUIDE TOOLS CD	ELO REV.J	821500101101
1P06	PALLET ET17	WOODEN 106X104X13cm	821601000102
	GLUE HOT MELT	ELO (160108)	830100300101
	CLEARSTICK	ELO (262)	830100400101
	LOCTITE	FSD2500-16 ELO	830200300101
6F12	FLUOROSYL 998307		

ET1788C-4UWA-1			
CIRCUITREF	DESCRIPTION		PART NO.
V501B	COIL DEGAUSSING	2UEW 17	321400001207 321400001200 321400001213
	CONTROLLER IT USB	ELO 714259-000	474000000400
5S04M	GASKET	20X20X20	474400000300
T10A	WIRE ASS'Y 012379	XHP2-10 1007#26 L=255mm	531000200700
V501D	WIRE ASSY 1015#22	SGF-STO L=170/110+SLEEVE	531000203300
W204	SIGNAL CABLE 012572	USB CABLE B-B 380mm BK	531300300200
W201	SIGNAL CABLE 6715008201	DSUB-15PX2 1830mm HP	531311800800
W203	SIGNAL CABLE CORE 012571	USB CABLE A-B 1830mm HP	531311802200
V501CA,V501CC	CABLE TIE PLT1M	L=100mm 7130K12	532000001000
V501A	CRT GROUNDING WIRE	0.12/64 1015#22 ET17	532500005500
	ET17F M/B RIVET ASSY	ET17F	571717303000E
	ET17F CRT iTOUCH ASSY	ET17F	571717402000B
	ET17/19 CRT BOARD ASSY	ET17/19	571909304000A
6F12	BEZEL	ELO 17 FLAT	710102300101
6F08S	KNOB	ET17 ATRONIC	711102000101
6F08N,6F08R	PCB SUPPORT R0180L2000	PINGOOD SCB-5 (ET1)	711901900101
T10B	MOVABLE TIE	PINGOOD (BST-6A)	712100800101
6F10	BRACKET	REAR (ELO) 15	720114500102
6F05	BRACKET	MAIN BOARD ET1 (ELO)	720115100202
6F08	BRACKET	CONTROLLER ET1 (ELO)	720115200201
6F01,6F02	TOP CHASSIS	ET17 (ELO)	720115600101
6F03,6F04	BRANCE	ET17 (ELO)	720115800303
6F06	BRANCE ANGLE LEFT	ET17 (ELO)	720115900101
6F07	BRANCE ANGLE RIGHT	ET17 (ELO)	720116000101
6F22	FENCE	OSD ET1	720139800101
V501P	CAUTION LABEL	25KV	740202400101
6B01M	HI POT LABEL		740202700101
	WARNING LABEL	D.I FOR CARTON (ELO)	740203200101
6F08T	VR LABEL	ET1 KNOB	740402900101
	BLANK B/C LABEL	T=0.05 76X57.6	741200700101
	RIBBON	RICOH B-110A 110mmX300M	741300200101
6F07T	RUBBER PAD	ET1	760201600101
	WIPER BLADE EXTRUEDE	ELO 700307	760400100101
6F12R	SCREW	CPM M6X12 Zn	771109070101
6F22A	SCREW	CPMSP M3.0x6 Zn-Cc	771176040201
W204M	SCREW	CPMSP 3X10 Ni	771176060301
5S05M,5S06M, 6F05M,6F06M, 6F07M,6F10M	SCREW	CPMSP 4.0X8 Zn	771177050101
6F03M,6F04M	SCREW	CPMSP M6X8 Zn	771179050101
6F08M,6F08P, 6F08Q	SCREW	CPTSPB 3.0x8 Zn-Cc	771376050201

6F12Q	SCREW	IOHM M6X15X15	775109170101
6F12N	WASHER	P 6.4X13x1.0 Zn	790100230101
6F12M	SPRING WASHER	S 6.4X14X1.2t	790900010301
1P21	PE BAG	900x500x440x0.03t	810202500101
1P11B	DRIER SILICA GEL	ELO 15 (40g)	810400300101
1P01	EPE FOAM (L)	ET17 FLAT	810701500201
1P02	EPE FOAM (R)	ET17 FLAT	810701600201
1P22	ZIP BAG R0273A14	210X295X0.04t	811200400101
1P11	CARTON	ET17	820105600101
V501E,V501F	TAPE MYLAR	3M#898 19mmX50M	820300400101
	END UNIT LABEL	(INNE)	820600500101
	BLANK LABEL	(50X35)	820604200101
	BLANK BARCODE LABEL	ELO 100X100	820606200101
2P03	QUICK START GUIDE	ET1	821103400103
2P02	GUIDE TOOLS CD	ELO REV.J	821500101101
1P06	PALLET ET17	WOODEN 106X104X13cm	821601000102
	GLUE HOT MELT CLEARSTICK	ELO (160108)	830100300101
	LOCTITE	ELO (262)	830100400101
6F12	FLUOROSYL 998307	FSD2500-16 ELO	830200300101
571717402000B (ET17F CRT iTOUCH ASSY)			
CIRCUITREF	DESCRIPTION		PART NO.
V501	CRT	M41AJR53X76(EFLL) 17	411702502504
V501E	ALU TAPE	3cmX20cm ELECTRIC	474363002000
	WIRE ASSY	ELO012526 ET17	531001202700
	ADHESIVE DOUBLE TAPE	ELO W=3.14mm L=33M/R	820303300101
	GEL	602-GEL ELO 10ml	830100200301
	UV GLUE	Elo (6-20288)	830101400101
	UV INK 160173	ELO (M16979-05-N) 700g	830200100101

ET1787C-4SWA-1-BAL

CIRCUITREF	DESCRIPTION		PART NO.
V501B	COIL DEGAUSSING	2UEW 17	321400001207 321400001200 321400001213
V501C	COIL ROTATION	300 TURNS L=200mm	321760000200
JA01	JUMPER HOUSING	2PIN	451050000100
	PFC CTRL PCBA 435030-000	BALLY IT SERIAL ET	474000000600
5S04M	GASKET	20X20X20	474400000300
W100	WIRE SRA 1015#22 BLK	L=60mm	511165300600
W205	WIRE ASSY L=820mm	SIGNAL-POWER CABLE	531000006200
T10A	WIRE ASSY 1007#26	2.5mm 2P-4P L=380mm	531000202900
V501D	WIRE ASSY 1015#22	SGF-STO L=170/110+SLEEVE	531000203300
V501CA,V501CC	CABLE TIE PLT1M	L=100mm 7130K12	532000001000
W205A	CABLE TIE PLT1M	L=100mm 7130K12	532000001000
V501A	CRT GROUNDING WIRE	0.12/64 1015#22 ET17	532500005500
	ET17 M/B RIVET BALLY ASS	ET17	571717303000G
	ET17 CRT ITOUCH ASSY	ET17	571717402000A
	ET17/19 CRT BOARD ASSY	ET17/19	571909304000A
6F12	MINI BEZEL	ET17 (NEW)	710102500101
6F08S	KNOB	ET17 ATRONIC	711102000101
6F04N,6F05N	PCB SUPPORT R0180L2000	PINGOOD SCB-5 (ET1)	711901900101
T10B	MOVABLE TIE	PINGOOD (BST-6A)	712100800101
6F02R	MOUNTING PURSE LOCK	PINGOOD AB-16	712301200101
6F04	BRACKET BACK COVER	ET17 BALLY	720129100101
6F03	BRACKET MAIN BOARD COVER	ET17 BALLY	720129200101
6F02	BRACKET RIGHT	ET17 BALLY	720129300101
6F01	BRACKET LEFT	ET17 BALLY	720129400202
6F05	MOUNTING BRACKET	ET17 BALLY	720133900101
V501P	CAUTION LABEL	25KV	740202400101
6B01M	HI POT LABEL		740202700101
	WARNING LABEL	D.I FOR CARTON (ELO)	740203200101
V501Q	CRT LABEL	FOR CPT ASAHI	740402400101
6F08T	VR LABEL	ET1 KNOB	740402900101
	BLANK B/C LABEL	T=0.05 76X57.6	741200700101
	RIBBON	RICOH B-110A 110mmX300M	741300200101
6F12M	WIPER BLADE EXTRUDEDE	ELO 700307	760400100101
6F01P,6F02P	SCREW	CPM M6X16 Zn	771109090101
6F04M	SCREW	CPMSP M4.0X8 Zn-Cc	771177050201
6F01S,6F02S	SCREW	CPMSP M4.0X10 Zn-Cc	771177060201
6F01R	SCREW	CPMSP M4X16 Zn-Cc	771177090201
6F02T,6F02U	SCREW	CPTSPB 3.0x8 Zn-Cc	771376050201
W204M	SCREW	BPM 4-40-3/16 Zn DB9	771703230301
6F01N,6F02N	SCREW	IOHM M4X10+M6X15 Zn	775117060101
6F03M	NUT	M3.0 3.0x0.5 Zn-Cc	780203010201
6F03N	NUT	M4 4.0X0.7 HEX Zn 282804	780204010101
6F01Q,6F02Q	WASHER	P6.4Xd9.5X7.9 Ni	790100460101

6F02V	POP RIVET	1/8"	790800050501
6F01M,6F02M	WASHER	16X9.5X6.1	791200020101
1P21	PE BAG	900x500x440x0.03t	810202500101
1P11B	DRIER SILICA GEL	ELO 15 (40g)	810400300101
1P01	EPE FOAM (L)	ET17 BALLY	810704400101
1P02	EPE FOAM (R)	ET17 BALLY	810704500101
1P22	ZIP BAG R0273A14	210X295X0.04t	811200400101
1P11	CARTON	ET17 BALLY/ATRONIC	820108800101
V501E,V501F	TAPE MYLAR	3M#898 19mmX50M	820300400101
6F12N	BEZ-GASKET	ET17/19/21	820305100101
	END UNIT LABEL	(INNE)	820600500101
	BLANK LABEL	(50X35)	820604200101
	BLANK BARCODE LABEL	ELO 100X100	820606200101
1P06	PALLET	WOODEN 1145X1130X130mm	821601600101
	GLUE HOT MELT CLEARSTICK	ELO (160108)	830100300101
	LOCTITE	ELO (262)	830100400101
6F12	FLUOROSYL 998307	FSD2500-16 ELO	830200300101

571909304000A (ET17/19 CRT BOARD ASSY)

CIRCUITREF	DESCRIPTION	PART NO.	
R711,R712,R713,R714, R736	RES CF	1/8W 100ohm J T	211003010100
R710,R737	RES CF	1/8W 1K J(+/-5%) T	211003010200
R707,R735	RES CF	1/8W 10K J(+/-5%) T	211003010300
R708,R709,R722,R723, R724	RES CF	1/8W 220ohm J(+/-5%) T	211003022100
R729,R730,R731	RES CF	1/8W 220K J T	211003022400
R704,R705,R706	RES CF	1/8W 330ohm J T	211003033100
R726,R727,R728	RES CF	1/8W 56ohm J T	211003056000
R701,R702,R703	RES CF	1/8W 75ohm J T	211003075000
R738	RES CF	1/4W 100ohm J T	211103010100
R732,R733,R734	RES CF	1/4W 56ohm J T	211103056000
R742	RES CF	1/2W 100K J T	211203010400
R741	RES MOF	1W 3.3ohm J 12.5	212501033800
C704	CAP ELEC	100uF M 10V 105 TAPING	261201310100
C708	CAP ELEC	22uF M 10V 105 T	261201322000
C710	CAP ELEC	10uF M 50V 105 T (20%)	261205310000
C722,C727	CAP ELEC	2.2uF M 100V 105 TAPING	261208322800
C716,C717,C718	CAP ELEC	1uF M 100V 105 NK T	261328310800
C709	CAP CERAMIC	100PF K 50V Y5P T	272001310100
C705	CAP CERAMIC	220PF K 500V Y5P T	272004322100
C724	CAP CERAMIC	560PF K 500V Y5P T	272004356100
C711,C719,C720,C721, C726	CAP CERAMIC	0.01uF M 500V Z5U T	272104310300
C723	CAP CERAMIC	0.01uF M 1KV Z5U 7.5 20%	272105110300
C707,C712,C713,C714, C715,C725	CAP CERAMIC	0.1uF Z 50V Y5V T (20%)	272201310400

C701,C702,C703	CAP PLASTIC	0.022uF J 50V PEI T	281001322300
L704,L705,L706	COIL PEAKING	0.22uH K T	323053022900
D701,D702,D703,D704, D705,D706	DIODE	FDH400.TR D0-35	370503040000
D707,D708,D709,D711	DIODE	1N4148(1A/75V) T	371303107500
U701	IC	LM1269 NS	381000026905
U703	IC	LM2469TA	381100046905
U702	IC	LM2480 NS	381100048005
U704	IC	L7805CV 3	382600080510
	PCB NECK CEM-I T1.6/1oz	L82xW90mm FOR ET17 /19	441100310100
CRTA	SOCKET CRT	ISDW01S 01S44C INCHANGE	450010001700
G2	GT PIN	R=1.56mm l=13mm	452001561300
T704	GT PIN	R=2.36mm L=14mm	452002361400
T701	BASE PIN	2.5mm 7PIN R/A	452112500700
T703	BASE PIN	2.0mm 6PIN RA	453012000600
T702	BASE PIN	2.0mm 9PIN RA	453012000900
C728,K701,K702,K703, K704	SPARK GAP	1.2KV	473500312200
J702,J703,J710	JUMPER WIRE	PITCH=7.5mm	531400007500
J701,J705,R719,R720, R721	JUMPER WIRE	PITCH=10mm	531400010000
J706,J707,J708,J711	JUMPER WIRE	PITCH=12.5mm	531400012500
J704	JUMPER WIRE	PITCH=15mm	531400015000
J709	JUMPER WIRE	PITCH=20mm	531400020000
	ET17/19 CRT BOARD ASSY	ET17/19	571909304000A
5S04	VIDEO SHIELDING	GAME	720305200101
U703N	HEAT SINK	60LX24WX30.5H 13mm	730401900301
U703M	SCREW	CTTWE 3.0x8 Zn	773656050201
571717402000A (ET17 CRT iTOUCH ASSY)			
CIRCUITREF	DESCRIPTION		PART NO.
V501	CRT (Asahi)	0.27mm M41AGE93X46C(L)	411702702004
V501E	ALU TAPE	3cmX20cm ELECTRIC	474363002000
	WIRE ASSY	ELO012526 ET17	531001202700
	ET17 CRT iTOUCH ASSY	ET17	571717402000A
	ADHESIVE DOUBLE TAPE	ELO W=3.14mm L=33M/R	820303300101
	GEL	602-GEL ELO 10ml	830100200301
	UV GLUE	Elo (6-20288)	830101400101
	UV INK 160173	ELO (M16979-05-N) 700g	830200100101
571717303000G (ET17 M/B RIVET BALLY ASS)			
CIRCUITREF	DESCRIPTION		PART NO.
R220,R502,R623	RES CF	1/8W 10ohm J T	211003010000
R134,R135,R136,R137, R146,R147,R223,R224, R225	RES CF	1/8W 100ohm J T	211003010100

R104,R106,R110,R112, R117,R131,R133,R138, R207,R226,R511,R519, R522,R523,R527,R562, R565,R621,R635,R638	RES CF	1/8W 1K J(+/-5%) T	211003010200
R142,R228,R310,R529, R537,R631,R807	RES CF	1/8W 10K J(+/-5%) T	211003010300
R202,R219,R227,R231	RES CF	1/8W 100K J T	211003010400
R229	RES CF	1/8W 10M J T	211003010600
R309	RES CF	1/8W 13K J T	211003013300
R156,R308,R520,R526	RES CF	1/8W 1.5K J T	211003015200
R212	RES CF	1/8W 15K J T	211003015300
R625	RES CF	1/8W 150K J T	211003015400
R210	RES CF	1/8W 1.8K J T	211003018200
R501,R503,R619,R627	RES CF	1/8W 18K J T	211003018300
R515	RES CF	1/8W 200K J T	211003020400
R230	RES CF	1/8W 2M J T	211003020500
R103,R111,R113,R114, R122,R123,R124,R125, R126,R127,R128,R143, R144,R200,R205,R206, R208,R222,R554	RES CF	1/8W 220ohm J(+/-5%) T	211003022100
R159,R232	RES CF	1/8W 2.2K J T	211003022200
R211	RES CF	1/8W 22K J T	211003022300
R145,R626	RES CF	1/8W 2.4K J T	211003024200
R541	RES CF	1/8W 24K J T	211003024300
R155	RES CF	1/8W 2.7K J(+/-5%) T	211003027200
R105,R217	RES CF	1/8W 27K J T	211003027300
R540	RES CF	1/8W 300K J T	211003030400
R539	RES CF	1/8W 330ohm J T	211003033100
R508,R516,R628	RES CF	1/8W 33K J T	211003033300
R524,R538	RES CF	1/8W 3.9K J(+/-5%) T	211003039200
R213	RES CF	1/8W 39K J T	211003039300
R632	RES CF	1/8W 390K J T	211003039400
D511,R101,R102	RES CF	1/8W 470ohm J T	211003047100
R108,R109,R115,R116, R118,R119,R120,R121, R129,R130,R132,R154, R517,R560,R561,R568, R569	RES CF	1/8W 4.7K J(+/-5%) T	211003047200
R218,R802	RES CF	1/8W 47K J T	211003047300
R209,R311	RES CF	1/8W 5.6K J T	211003056200
R203,R221	RES CF	1/8W 56K J T	211003056300
R158,R521	RES CF	1/8W 680ohm J T	211003068100
R543,R570	RES CF	1/8W 6.8K J T	211003068200

R518	RES CF	1/8W 68K J T	211003068300
R633	RES CF	1/8W 750ohm J T	211003075100
R622	RES CF	1/8W 82ohm J T	211003082000
R233	RES CF	1/8W 8.2K J T	211003082200
R507	RES CF	1/4W 100ohm J T	211103010100
R157,R204,R551	RES CF	1/4W 1K J T	211103010200
R542,R548	RES CF	1/4W 47ohm J T	211103047000
R637	RES CF	1/4W 470ohm J T	211103047100
R510	RES CF	1/4W 4.7K J T	211103047200
R201	RES CF	1/4W 680ohm J T	211103068100
R528	RES CF	1/4W 75ohm J T	211103075000
R513	RES CF	1/2W 1K J T	211203010200
R509	RES CF	1/2W 100K J T	211203010400
R601	RES CF	1/2W 1M J T	211203010500
R313	RES CF	1/2W 1ohm J T	211203010800
R641	RES CF	1/2W 180K J T	211203018400
R545	RES CF	1/2W 220ohm J T	211203022100
R304A,R305,R305A, R306,R306A,R533	RES CF	1/2W 2.2ohm J T	211203022800
R301A,R302,R303,R304	RES CF	1/2W 3.9ohm J T	211203039800
R312	RES CF	1/2W 560ohm J T	211203056100
R636	RES CF	1/2W 680ohm J T	211203068100
R640	RES CF	1/2W 68K J T	211203068300
R639	RES CF	1/2W 680K J T	211203068400
R512	RES CF	1/2W 82K J T	211203082300
R307	RES CF	1/2W 0.91ohm J T	211203091900
R505	RES HIGH	1/2W 18M T	211223018600
R571	RES MF	1/4W 1M F T	212103010500
R552	RES MOF	1W 47ohm J 12.5	212501047000
R536	RES MOF	2W 100K J(+/-5%) P:15mm	212601010400
R530	RES MOF	2W 0.18ohm J 15	212601018900
R615,R616	RES MOF	2W 68K J 15	212601068300
R617	RES MOF	3W 4.7K J 20	212701047200
R514	RES MOF	3W 56ohm J 20	212701056000
R525	RES MOF	3W 68ohm J 20	212701068000
R620	RES MOF normal sizee	5W 0.27ohm J KINK P=5	212852027900
L604	RES FUSIBLE(MF)	1/4W 0.33 J T	213653033900
R504,R535	RES FUSIBLE(MF)	1W 100 J P=12.5	213671010100
R572	RES FUSIBLE(MF)	2W 120 J P=15	213681012100
VR501	VR SEMI-FIXED	B 20K M D=6 V 0.1W CF	221300020300
VR601	VR SEMI-FIXED	B 1K M D=6 H 0.1W CF	221400010200
R600	PTCR	9ohm DGC2R9R0Q27A 2PIN	231000009000
R602	NTCR	3A 5ohm SCK053	231103050800
R614	VARISTOR 1A/150V PANJIT	P6KE150A/5W DO-41	232500000000
SW5	ENCODER DC11B2021401	FORWARD FOR ET21	232600000700

C101,C104,C114	CAP ELEC	100uF M 10V 105 TAPING	261201310100
C622	CAP ELEC	220uF M 10V 105 TAPING	261201322100
C116	CAP ELEC	470uF M 10V 105 TAPING	261201347100
C217	CAP ELEC	10uF M 16V 105 T	261202310000
C612,C635	CAP ELEC	100uF M 16V 105 TAPING	261202310100
C301,C302,C626,C629	CAP ELEC	1000uF M 16V 105 +/-20%T	261202310200
C222	CAP ELEC	220uF M 16V 105 TAPING	261202322100
C106,C111,C212,C218	CAP ELEC	47uF M 16V 105 TAPING	261202347000
C628	CAP ELEC	2200uF M 25V 105 7.5	261203122200
C619	CAP ELEC	100uF M 25V 105 T	261203310100
C502	CAP ELEC	220uF M 25V 105 TAPING	261203322100
C620	CAP ELEC	47uF M 25V 105 T (20%)	261203347000
C307	CAP ELEC	220uF M 35V 105 TAPING	261204322100
C112,C113,C223,C537	CAP ELEC	10uF M 50V 105 T (20%)	261205310000
C513	CAP ELEC	1uF M 50V 105 TAPING	261205310800
C206,C216,C225,C547, C634	CAP ELEC	2.2uF M 50V 105 TAPING	261205322800
C105	CAP ELEC	3.3uF M 50V 105 TAPING	261205333800
C505	CAP ELEC	47uF M 50V 105 TAPING	261205347000
C633	CAP ELEC	100uF M 100V 105 T	261208310100
C509	CAP ELEC	10uF M 200V 105 TAPING	261211310000
C632	CAP ELEC	100uF M 250V 105 P=7.5	261212110100
C572	CAP ELEC	0.47uF M 250V 105 T	261212347900
C611	CAP ELEC HP(25X35)	150uF M 105 400V	262204215100
C107,C108	CAP CERAMIC	22PF J 50V NPO T	271501322000
C609	CAP CERAMIC	47PF J 500V NPO T	271504347000
C121,C201,C202,C618	CAP CERAMIC	100PF K 50V Y5P T	272001310100
C120	CAP CERAMIC	1000PF K 50V Y5P T (20%)	272001310200
C227	CAP CERAMIC	220PF K 50V Y5P T	272001322100
C616	CAP CERAMIC	470PF K 50V Y5P T	272001347100
C602,C605	CAP CERAMIC	100PF K 500V Y5P T	272004310100
C531	CAP CERAMIC	220PF K 500V Y5P T	272004322100
C527	CAP CERAMIC	1000PF K 1KV Y5P T	272005310200
C614	CAP CERAMIC	150PF K 1KV Y5P T	272005315100
C540	CAP CERAMIC	220PF K 1KV Y5P T	272005322100
C532A	CAP CERAMIC	47PF K 1KV Y5P T	272005347000
C528,C533,C630	CAP CERAMIC	0.01uF M 500V Z5U T	272104310300
C503,C613	CAP CERAMIC	0.01uF M 1KV Z5U 7.5 20%	272105110300
C103,C109,C110,C115, C211,C303,C500,C500A, C501,C525,C526,C621, C623,C627	CAP CERAMIC	0.1uF Z 50V Y5V T (20%)	272201310400
C118	CAP PLASTIC	0.22uF J 50V PEI 10	281001122400
C210,C213,C215,C514	CAP PLASTIC	0.001uF J 50V PEI T	281001310200
C204,C207,C305,C306, C510,C517,C522	CAP PLASTIC	0.01uF J 50V PEI T	281001310300

C209,C226,C508,C516	CAP PLASTIC	0.1uF J 50V PEI T	281001310400
C515	CAP PLASTIC	0.012uF J 50V PEI T	281001312300
C224	CAP PLASTIC	0.15uF J 50V PEI T	281001315400
C504,C617	CAP PLASTIC	0.0022uF J 50V PEI T	281001322200
C539,C541,C801	CAP PLASTIC	0.022uF J 50V PEI T	281001322300
C518	CAP PLASTIC	0.0033uF J 50V PEI T	281001333200
C102,R140	CAP PLASTIC	0.0047uF J 50V PEI T	281001347200
C308	CAP PLASTIC	0.0068uF J 50V PEI T	281001368200
C530,C532	CAP PLASTIC	0.082uF J 50V PEI T	281001382300
C205	CAP PLASTIC	820PF J 100V PPN T	281201382100
C507	CAP PLASTIC	0.0039uF J 630V PPN 10	281204139200
C506	CAP PLASTIC PPS	0.0051uF J 1.6KV 22.5	281308151200
C523	CAP PLASTIC	0.00022uF 2KV PPS J 15	281309122100
C524	CAP PLASTIC	0.033uF J 250V MEF 10	281405133300
C220	CAP PLASTIC	0.15uF J 63V MEB T	281502315400
C203,C304,C512	CAP PLASTIC	0.22uF J 63V MEB T (5%)	281502322400
C219	CAP PLASTIC	0.47uF J 63V MEB T	281502347400
C535	CAP PLASTIC	0.1uF J 250V MPP 10	281602110400
C536	CAP PLASTIC	0.22uF J 250V MPP 15	281602122400
C538	CAP PLASTIC	0.56uF J 250V MPP 20	281602156400
C534	CAP PLASTIC	0.27uF J 400V MPP 15	281603327400
C601	CAP X	0.22uF AC 250V/300V 22.5	291000022400
C610,C615	CAP Y1	4700PF AC 250V (AH)	291250047200
L505	LINEARITY COIL	0A 9.9uH ET17	321000002500
L507	COIL CHOKE	17uH	321200001300
L510	COIL CHOKE	3mH	321200003500
L602	AC LINE FILTER	35mH	321300100700
G2B	CORE	1-T-20x10x10-EM2	321500002300
L608	COIL BEAD	6mmX10mm	321503000400
J05,L102,L501,L502, L603,L606,L609,L610, L612	COIL BEAD	3.5mmX6mm	321503001000
J28,J28A,L503	CORE BEAD	3.5X9X0.8	321503001300
L601,L601A	CORE RING	35uH	321700001000
D202	COIL PEAKING	10uH K T (EC24)	323053010000
T601	TRANSFORMER	POWER UD1	331000002000
T501	TRANSFORMER	FBT ET17	331100002300
T504	TRANSFORMER	FOCUS	331250000600
T503	TRANSFORMER	COUPLING	331250000700
T502	TRANSFORMER H- DRIVER	L:53uH+/-20%,LK:160uH	331300000800
Q608	TRANSISTOR	2SA673AC	361103067300
Q201,Q503,Q506,Q515	TRANSISTOR	2SA733P	361103073300
Q610,Q611	TRANSISTOR	2SA1020Y T	361103102000
Q508	TRANSISTOR	2SC5387(HFE)	361300538700
Q101,Q202,Q203,Q204,	TRANSISTOR TAPING	H945P / C945P	361303094500

Q504,Q511,Q514,Q523, Q524,Q525,Q527,Q603, Q606,Q607			
Q609	TRANSISTOR	2SC1213AC T	361303121300
Q507	TRANSISTOR	2SK941	361500094100
Q501	TRANSISTOR	SSS6N60A	361550066000
Q602	TRANSISTOR	SSS7N80A	361550078000
Q513	TRANSISTOR	BF420 T	361603042000
Q502	TRANSISTOR	BF423 T	361603042300
Q516	TRS. N-MOSFET FAIRCHILD	IRFS740B 10A/400V TO220F	361700074000
Q517,Q518	TRANSISTOR	IRFS630A/CEFF630	361703063000
D502,D508	DIODE UF4005G JIT	1A/600V 50-75ns T	371203100600
D619,D619B	DIODE UF4007 JIT	1A/1000V 50-75ns T	371213101000
D101,D102,D204,D503, D505,D507,D512,D610, D613,D618	DIODE	1N4148(1A/75V) T	371303107500
D509	DIODE (2A/400V)	UGP20G/SF20GG KINK P=20	371721200400
Q509	DIODE	BY329X-1500S 5A/1500V	371960501504
D201,D513,D612,D801	DIODE 1A/100V T	FR102/PR1002	372153100100
D516,D611	DIODE 1A/400V T	FR104/PR1004	372153100400
D609	DIODE 1A/600V T	PR1005	372153100600
D301	DIODE 1A/1KV T	FR107/PR1007	372153101000
D617	DIODE	HER304 3A/300V KINK P=20	372201300325
D615	DIODE	HER305 3A/400V KINK P=20	372201300425
D621	DIODE 3A/800V KINK P=20	UF3006	372201300824
D622	DIODE 3A/1KV KINK P=20	UF3007	372201301024
D517	DIODE 1A/100V T	HER102/UF1002	372203100100
D616,D624	DIODE 2A/400V T	HER205/UF2004	372203200400
D608	DIODE 2A/800V T	HER207/UF2006	372203200800
D601	DIODE BRIDGE	PBL406/KBL406(4A/800V)	373000400800
LED1	LED	D=3mm GREEN L-34GD	373502100300
D605	DIODE ZENER HITACHI	1/2W HZ4C3 DO-35 T	375003043300
D610A,R804	DIODE ZENER	1/2W HZ5C2 5.0V-5.2V T	375003053200
D510	DIODE ZENER	1/2W HZ15-2 T	375003150200
D619A	DIODE ZENER	1/2W HZ20-3 20.2-21.1 T	375003200300
D515	DIODE ZENER	1/2W HZ36-2 T	375003360200
D504	ZENER DIODE	1W Z150A 150V 10% T	375503015100
U301	IC	TDA8172 vertical process	381300017210
U201	IC	TDA9113	381400011310
U602	IC	UC3842AM 8	382500084227
U501	IC	HA17812 3	382600081201
Q505	IC	TL431	382660043144
U603	IC	LM2940 3	382700094005
U102	IC	AT24C04 8	384300040425
U103	IC	WT6804 16	384300080416

U101	OTP/MTP MCU WT62P1 7A0DH	Ver1.0 ET1787C-BALLY	384900050074
RL501	RELAY 1P2T 12V JS1-12V	AJS-1311 NAIS	432001200700
RL601	RELAY	2P1T 12V FTR-F4AK012T	432002101000
	PCB MAIN CEMI-1 T1.6/1oz	246x249mm REV.01 ET15/17	441000470100
U101A	IC SOCKET	40PIN 2.54mm D=15.24	450050404000
F601A	CLIP FUSE	5X20mm t=0.4mm	450065200200
TB2	GT PIN	R=1.56mm l=13mm	452001561300
R525A,R525B	GT PIN	R=2.36mm L=20mm	452002362000
T12	BASE PIN	2.0mm 2PIN	452072000200
T10,T8	BASE PIN	2.5mm 2PIN	452102500200
T3	BASE PIN	2.5mm 5PIN	452102500500
T7	BASE PIN	5-7.5mm 2PIN A1561WV2-2P	452205750200
T5	BASE PIN	8-10mm 4PIN JS-1122-4	452258100400
DOWNLOAD	PIN HEADER	2.54mm 2PINX1ROW	452802500200
T11A	PIN HEADER L=4.0mm	2.54mm 6PINX1ROW RA	452862500600
T9A	PIN HEADER L=4.0mm	2.54mm 13PINX1ROW RA	452862501300
T4A	BASE PIN	2.0mm 6PIN RA	453012000600
F601	FUSE GLASS TUBE 5TT3 BEL	3A 250V S-B 5*20 UL/CSA	471100030000
F602,J21	FUSE PICO	2A 125V F-B 251	471503020000
X101	CRYSTAL	12MHZ (HC-49/U)	473000120000
U301T	SILICON INSULATOR	TO-220 13mmX18.5mm	475000100100
Q602P	SILICON RUBBER TO-2025A	20mmX25mmx0.45mm	475000200200
Q602N	TRANSISTOR COVER	TR-09	475050000100
W502	WIRE 1500#18 BLK	SRA/ST0(SLEEV) L=180mm	512006401800
G2	WIRE SVF1/1032#22 WHITE	L=330	523018593300
S101	WIRE ASSY	AC CONNECTOR 3PIN ELO	531000301100
T6	WIRE ASS'Y 2651#28	2mm-6/2mm-6 L=240mm	531000601200
T4	WIRE ASS'Y 2651#28X6C	6P-6P(3,4 CROSS)L=1000mm	531000601900
T2	WIRE ASSY L=330mm	2mm-9/2mm-9 2651#28+CORE	531000900900
W202	SIGNAL CABLE UL20279X13C	DSUB-15/XHP-5-7 L=280mm	531310200300
T1	JUMPER WIRE	PITCH=5mm	531400005000
D803,D804,J01,J13, J15,J16,J31,J37,J38, J39,J40,J42,J43,J47, L611,R148,R149,R153, R574,R803	JUMPER WIRE	PITCH=7.5mm	531400007500
J02,J06,J10,J11,J17, J18,J19,J22,J25,J26, J29,J30,J32,J33,J48, L101,L508,R613,R624	JUMPER WIRE	PITCH=10mm	531400010000
J12,J20,J23,J24,J34, J36,R301,R506,R534	JUMPER WIRE	PITCH=12.5mm	531400012500
J04,J07,J08,J09,J14, L504	JUMPER WIRE	PITCH=20mm	531400020000

R620A	TUBE HOT-SHRINK UL/CSA	D=9X0.25mm L=30mm	531509003000
G2A,G2C	CABLE TIE PLT1M	L=100mm 7130K12	532000001000
	ET17 M/B RIVET BALLY ASS	ET17	571717303000G
U301P	TRANSISTOR WASHER	PIN GOOD 604S	712000300101
5S01	BRACKET	BACK (ELO)	720114300103
5S05,5S06	BRACKET	FOOT (ELO)	720114400301
5S07	BRACKET	FBT (ET1)	720120500101
5S02	HEAT SINK	SIDE (L) (ELO) ET17/19	730102500101
5S03	HEAT SINK	SIDE (R) (ELO)	730102500401
Q516N	HEAT SINK	60X24X30.5 18mm	730401900101
5S02M,5S03M	SCREW	CPM 3.0x8 Zn-Cc	771106050201
S101N	SCREW	CPTTB 4X8 Zn-Cc	771317050201
5S01N,5S07M, Q516M,W202N	SCREW	CPTSPB 3.0x8 Zn-Cc	771376050201
U301M	SCREW	CPTSPB 3.0x12 Zn-Cc	771376070201
5S07N	SCREW	CTTWC 4.0x10 Zn-Cc	773457060201
5S01M,Q501M, Q508M,Q509M	SCREW	CTTWE 3.0x8 Zn	773656050201
Q602M	SCREW	CTTWE 3.0X14 Zn	773656080201
W202M	SCREW R0313L41C	IOHMF 4-40 Ni	775106050301
U301N	NUT	M3.0 3.0x0.5 Zn-Cc	780203010201
C506R,Q602R, R602R	RIVET	d1.2Xd1.6Xd2.9X3.0L Cr	790800010501
L601AR,L601R, L602R,Q509R	RIVET	d1.4Xd1.8Xd3.0X3.0L Cr	790800020501
D601R,D621R, D622R,L505R, Q508R	RIVET	d1.6Xd2.0Xd4.0X3.0L Cr	790800030501
C611R,S601R, T501R,T601R	RIVET	d1.9Xd2.3Xd3.8X3.0L Cr	790800070501

ET1787C-4SWA-1-ATR

CIRCUITREF	DESCRIPTION		PART NO.
V501B	COIL DEGAUSSING	2UEW 17	321400001207 321400001200 321400001213
V501C	COIL ROTATION	300 TURNS L=200mm	321760000200
5S04M	PFC CTRL PCBA 435030-000	BALLY IT SERIAL ET	474000000600
W100	GASKET	20X20X20	474400000300
V501D	WIRE SRA 1015#22 BLK	L=60mm	511165300600
W204	WIRE ASSY 1015#22	SGF-STO L=170/110+SLEEVE	531000203300
W203	WIRE ASS'Y 012378	DSUB9-10 2651#28 L=305mm	531000900500
W101,W102	SIGNAL CABLE 1830mm HP	DSUB-9PX2 PE0145	531311800900
V501CA,V501CB, V501CC,V501S	TUBE HOT-SHRINK UL/CSA	D=15X0.25mm L=125mm	531500612500
V501A	CABLE TIE PLT1M	L=100mm 7130K12	532000001000
	CRT GROUNDING WIRE	0.12/64 1015#22 ET17	532500005500
	ET17 MB ATRONIC RIVET	ET17	571717303000F
	ET17 CRT BD ATRONIC ASSY	ET17	571717304000A
	ET17 PFC BOARD ASSY	ET17 ATRONIC	571717305000A
	ET17 CRT iTOUCH ASSY	ET17	571717402000A
6F12	MINI BEZEL	ET17 (NEW)	710102500101
6F02P	KNOB	ET17 ATRONIC	711102000101
V501R	CABLE TIE,MOUNT,	W/ADHESIVE BACK (282514)	711302300101
6F04E	PCB SUPPORT R0180L2000	PINGOOD SCB-5 (ET1)	711901900101
6F01G	PLASTIC WASHER	W8X4.1X1.0t	712001700101
T10B	MOVABLE TIE	PINGOOD (BST-6A)	712100800101
6F01E	SNAP CLIP	SN-01G	712301500101
6F01F	SNAP CLIP	SN-01GB	712301600101
6F03	BRACKET LEFT	ET17 ATRONIC	720130400102
6F01	TOP BRACKET	ET17 ATRONIC	720130500101
6F02	BOTTOM BRACKET	ET17 ATRONIC	720130600101
6F05	BRACKET TOP	ET17 ATRONIC	720130800101
6F06	BRACKET BOT-BK	ET17 ATRONIC	720130900101
6F09	BRACKET MAINBOARD COVER	ET17 ATRONIC	720131100101
6F04	BRACKET RIGHT	ET17 ATRONIC	720138300102
6F07,6F08	BRACKET MAIN BOARD	ET17 ATRONIC	720139700101
V501P	CAUTION LABEL	25KV	740202400101
6B01M	HI POT LABEL		740202700101
	WARNING LABEL	D.I FOR CARTON (ELO)	740203200101
6F01A	CAUTION LABEL	28KV	740203400101
V501Q	CRT LABEL	FOR CPT ASAHI	740402400101
6F02T	VR LABEL	ET1 KNOB	740402900101
	BLANK B/C LABEL	T=0.05 76X57.6	741200700101
	RIBBON	RICOH B-110A 110mmX300M	741300200101
6F01D	MYLAR	ATRONIC 17	750200200101
6F03M,6F04M	RUBBER RING	ATRONIC 17	760301700101
6F12M	WIPER BLADE EXTRUDEDE	ELO 700307	760400100101
6F01M	SCREW	CPM 3.0x25 Zn-Cc	771106110201

6F02D	SCREW	CPM 5X20 Zn	771108100101
6F04D	SCREW	CPMSP 3.0x8 Zn-Cc	771176050201
5S05A,5S06A, 6F01A,6F03A, 6F04A,6F05A	SCREW	CPMSP M4.0X8 Zn-Cc	771177050201
6F12B	SCREW	CPMSP M4.0X10 Zn-Cc	771177060201
6F04C	SCREW	CFMB3.0X10, BLK	772306060401
6F02A	SCREW	IOHM 10X5-M3X6	775106040101
6F04B	SCREW R0313L41C	IOHMF 4-40 Ni	775106050301
6F01B,6F02B	SCREW	IOHM M4X10+M5X15	775108060101
6F09A	NUT	M3.0 3.0x0.5 Zn-Cc	780203010201
6F06A	NUT	M4.0 4.0x0.7 Zn-Cc	780204010201
6F06B	WASHER	P4.2X12X1.0 Zn	790100490101
6F01C,6F02C	WASHER	16X9.5X5.1	791200010101
1P21	PE BAG	900x500x440x0.03t	810202500101
1P11B	DRIER SILICA GEL	ELO 15 (40g)	810400300101
1P01	EPE FOAM (L)	ET17 ATRONIC	810705200103
1P02	EPE FOAM (R)	ET17 ATRONIC	810705300103
1P22	ZIP BAG R0273A14	210X295X0.04t	811200400101
1P11	CARTON	ET17 BALLY/ATRONIC	820108800101
V501E,V501F	TAPE MYLAR	3M#898 19mmX50M	820300400101
6F12A	BEZ-GASKET	ET17/19/21	820305100101
	END UNIT LABEL	(INNE)	820600500101
	BLANK LABEL	(50X35)	820604200101
	BLANK BARCODE LABEL	ELO 100X100	820606200101
1P06	PALLET	WOODEN 1145X1130X130mm	821601600101
	GLUE HOT MELT CLEARSTICK	ELO (160108)	830100300101
	LOCTITE	ELO (262)	830100400101
6F03N,6F04N	GLUE	CHEMITSEAL Q-706T	830101600101
6F02DA	LOCTITE	LOCTITE #243 BLUE COLOR	830101700101
6F12	FLUOROSYL 998307	FSD2500-16 ELO	830200300101

571717402000A (ET17 CRT iTOUCH ASSY)

CIRCUITREF	DESCRIPTION		PART NO.
V501	CRT (Asahi)	0.27mm M41AGE93X46C(L)	411702702004
V501E	ALU TAPE	3cmX20cm ELECTRIC	474363002000
	WIRE ASSY	ELO012526 ET17	531001202700
	ET17 CRT iTOUCH ASSY	ET17	571717402000A
	ADHESIVE DOUBLE TAPE	ELO W=3.14mm L=33M/R	820303300101
	GEL	602-GEL ELO 10ml	830100200301
	UV GLUE	Elo (6-20288)	830101400101
	UV INK 160173	ELO (M16979-05-N) 700g	830200100101

571717303000F (ET17 MB ATRONIC RIVET)

CIRCUITREF	DESCRIPTION		PART NO.
R220,R502,R623	RES CF	1/8W 10ohm J T	211003010000
R134,R135,R136,R137, R146,R147,R223,R224, R225	RES CF	1/8W 100ohm J T	211003010100

R104,R106,R110,R112, R117,R131,R133,R138, R207,R226,R511,R519, R522,R523,R527,R562, R565,R621,R635,R638	RES CF	1/8W 1K J(+/-5%) T	211003010200
R142,R228,R310,R529, R537,R631,R807	RES CF	1/8W 10K J(+/-5%) T	211003010300
R202,R227,R231	RES CF	1/8W 100K J T	211003010400
R229	RES CF	1/8W 10M J T	211003010600
R309	RES CF	1/8W 13K J T	211003013300
R156,R308,R520,R526	RES CF	1/8W 1.5K J T	211003015200
R212	RES CF	1/8W 15K J T	211003015300
R625	RES CF	1/8W 150K J T	211003015400
R210	RES CF	1/8W 1.8K J T	211003018200
R501,R503,R619,R627	RES CF	1/8W 18K J T	211003018300
R515	RES CF	1/8W 200K J T	211003020400
R230	RES CF	1/8W 2M J T	211003020500
R103,R111,R113,R114, R122,R123,R124,R125, R126,R127,R128,R143, R144,R200,R205,R206, R208,R222,R554	RES CF	1/8W 220ohm J(+/-5%) T	211003022100
R159,R232	RES CF	1/8W 2.2K J T	211003022200
R211	RES CF	1/8W 22K J T	211003022300
R145,R626	RES CF	1/8W 2.4K J T	211003024200
R541	RES CF	1/8W 24K J T	211003024300
R155	RES CF	1/8W 2.7K J(+/-5%) T	211003027200
R105	RES CF	1/8W 27K J T	211003027300
R540	RES CF	1/8W 300K J T	211003030400
R539	RES CF	1/8W 330ohm J T	211003033100
R508,R516,R628	RES CF	1/8W 33K J T	211003033300
R524,R538	RES CF	1/8W 3.9K J(+/-5%) T	211003039200
R213	RES CF	1/8W 39K J T	211003039300
R632	RES CF	1/8W 390K J T	211003039400
R217	RES CF	1/8W 43K J T	211003043300
D511,R101,R102	RES CF	1/8W 470ohm J T	211003047100
R108,R109,R115,R116, R118,R119,R120,R121, R129,R130,R132,R154, R517,R560,R561,R568, R569	RES CF	1/8W 4.7K J(+/-5%) T	211003047200
R218,R219,R802	RES CF	1/8W 47K J T	211003047300
R209,R311	RES CF	1/8W 5.6K J T	211003056200
R203,R221	RES CF	1/8W 56K J T	211003056300
R158,R521	RES CF	1/8W 680ohm J T	211003068100
R543,R570	RES CF	1/8W 6.8K J T	211003068200

R518	RES CF	1/8W 68K J T	211003068300
R633	RES CF	1/8W 750ohm J T	211003075100
R622	RES CF	1/8W 82ohm J T	211003082000
R233	RES CF	1/8W 8.2K J T	211003082200
R507	RES CF	1/4W 100ohm J T	211103010100
R157,R204,R551	RES CF	1/4W 1K J T	211103010200
R542,R548	RES CF	1/4W 47ohm J T	211103047000
R637	RES CF	1/4W 470ohm J T	211103047100
R510	RES CF	1/4W 4.7K J T	211103047200
R201	RES CF	1/4W 680ohm J T	211103068100
R528	RES CF	1/4W 75ohm J T	211103075000
R513	RES CF	1/2W 1K J T	211203010200
R509	RES CF	1/2W 100K J T	211203010400
R601	RES CF	1/2W 1M J T	211203010500
R313	RES CF	1/2W 1ohm J T	211203010800
R307	RES CF	1/2W 1.2ohm J T	211203012800
R641	RES CF	1/2W 180K J T	211203018400
R545	RES CF	1/2W 220ohm J T	211203022100
R304A,R305, R305A,R306, R306A,R533	RES CF	1/2W 2.2ohm J T	211203022800
R301,R301A, R302,R303,R304	RES CF	1/2W 3.9ohm J T	211203039800
R312	RES CF	1/2W 560ohm J T	211203056100
R636	RES CF	1/2W 680ohm J T	211203068100
R640	RES CF	1/2W 68K J T	211203068300
R639	RES CF	1/2W 680K J T	211203068400
R512	RES CF	1/2W 82K J T	211203082300
R505	RES HIGH	1/2W 18M T	211223018600
R571	RES MF	1/4W 1M F T	212103010500
R552	RES MOF	1W 47ohm J 12.5	212501047000
R536	RES MOF	2W 100K J(+/-5%) P:15mm	212601010400
R530	RES MOF	2W 0.18ohm J 15	212601018900
R615,R616	RES MOF	2W 68K J 15	212601068300
R617	RES MOF	3W 4.7K J 20	212701047200
R514	RES MOF	3W 56ohm J 20	212701056000
R525	RES MOF	3W 68ohm J 20	212701068000
R620	RES MOF normal sizee	5W 0.27ohm J KINK P=5	212852027900
L604	RES FUSIBLE(MF)	1/4W 0.33 J T	213653033900
R504,R535	RES FUSIBLE(MF)	1W 100 J P=12.5	213671010100
R572	RES FUSIBLE(MF)	2W 120 J P=15	213681012100
VR501	VR SEMI-FIXED	B 20K M D=6 V 0.1W CF	221300020300
VR601	VR SEMI-FIXED	B 1K M D=6 H 0.1W CF	221400010200
R600	PTCR	9ohm DGC2R9R0Q27A 2PIN	231000009000
R614	VARISTOR 1A/150V PANJIT	P6KE150A/5W DO-41	232500000000
SW5	ENCODER DC11B2021401	FORWARD FOR ET21	232600000700

C101,C104,C114	CAP ELEC	100uF M 10V 105 TAPING	261201310100
C622	CAP ELEC	220uF M 10V 105 TAPING	261201322100
C116	CAP ELEC	470uF M 10V 105 TAPING	261201347100
C217	CAP ELEC	10uF M 16V 105 T	261202310000
C612,C635	CAP ELEC	100uF M 16V 105 TAPING	261202310100
C301,C302,C626,C629	CAP ELEC	1000uF M 16V 105 +/-20%T	261202310200
C222	CAP ELEC	220uF M 16V 105 TAPING	261202322100
C106,C111,C212,C218	CAP ELEC	47uF M 16V 105 TAPING	261202347000
C628	CAP ELEC	2200uF M 25V 105 7.5	261203122200
C619	CAP ELEC	100uF M 25V 105 T	261203310100
C502	CAP ELEC	220uF M 25V 105 TAPING	261203322100
C620	CAP ELEC	47uF M 25V 105 T (20%)	261203347000
C307	CAP ELEC	220uF M 35V 105 TAPING	261204322100
C112,C113,C223,C537	CAP ELEC	10uF M 50V 105 T (20%)	261205310000
C513	CAP ELEC	1uF M 50V 105 TAPING	261205310800
C206,C216,C225,C547, C634	CAP ELEC	2.2uF M 50V 105 TAPING	261205322800
C105	CAP ELEC	3.3uF M 50V 105 TAPING	261205333800
C505	CAP ELEC	47uF M 50V 105 TAPING	261205347000
C633	CAP ELEC	100uF M 100V 105 T	261208310100
C509	CAP ELEC	10uF M 200V 105 TAPING	261211310000
C632	CAP ELEC	100uF M 250V 105 P=7.5	261212110100
C572	CAP ELEC	0.47uF M 250V 105 T	261212347900
C611	CAP ELEC HP(25X35)	150uF M 105 400V	262204215100
C107,C108	CAP CERAMIC	22PF J 50V NPO T	271501322000
C609	CAP CERAMIC	47PF J 500V NPO T	271504347000
C121,C201,C202,C618	CAP CERAMIC	100PF K 50V Y5P T	272001310100
C120	CAP CERAMIC	1000PF K 50V Y5P T (20%)	272001310200
C227	CAP CERAMIC	220PF K 50V Y5P T	272001322100
C616	CAP CERAMIC	470PF K 50V Y5P T	272001347100
C602,C605	CAP CERAMIC	100PF K 500V Y5P T	272004310100
C531	CAP CERAMIC	220PF K 500V Y5P T	272004322100
C527	CAP CERAMIC	1000PF K 1KV Y5P T	272005310200
C614	CAP CERAMIC	150PF K 1KV Y5P T	272005315100
C540	CAP CERAMIC	220PF K 1KV Y5P T	272005322100
C532A	CAP CERAMIC	47PF K 1KV Y5P T	272005347000
C528,C533,C630, C503,C613	CAP CERAMIC	0.01uF M 500V Z5U T	272104310300
C103,C109,C110,C115, C211,C303,C500,C500A, C501,C525,C526,C621, C623,C627	CAP CERAMIC	0.01uF M 1KV Z5U 7.5 20%	272105110300
C118	CAP CERAMIC	0.1uF Z 50V Y5V T (20%)	272201310400
C210,C213,C215,C514	CAP PLASTIC	0.22uF J 50V PEI 10	281001122400
C204,C207,C305,C306, C510,C517,C522	CAP PLASTIC	0.001uF J 50V PEI T	281001310200
	CAP PLASTIC	0.01uF J 50V PEI T	281001310300

C209,C226,C508,C516	CAP PLASTIC	0.1uF J 50V PEI T	281001310400
C515	CAP PLASTIC	0.012uF J 50V PEI T	281001312300
C224	CAP PLASTIC	0.15uF J 50V PEI T	281001315400
C504,C617	CAP PLASTIC	0.0022uF J 50V PEI T	281001322200
C539,C541,C801	CAP PLASTIC	0.022uF J 50V PEI T	281001322300
C518	CAP PLASTIC	0.0033uF J 50V PEI T	281001333200
C102,R140	CAP PLASTIC	0.0047uF J 50V PEI T	281001347200
C308	CAP PLASTIC	0.0068uF J 50V PEI T	281001368200
C530,C532	CAP PLASTIC	0.082uF J 50V PEI T	281001382300
C205	CAP PLASTIC	820PF J 100V PPN T	281201382100
C507	CAP PLASTIC	0.0039uF J 630V PPN 10	281204139200
C506	CAP PLASTIC PPS	0.0051uF J 1.6KV 22.5	281308151200
C523	CAP PLASTIC	0.00022uF 2KV PPS J 15	281309122100
C524	CAP PLASTIC	0.033uF J 250V MEF 10	281405133300
C220	CAP PLASTIC	0.15uF J 63V MEB T	281502315400
C203,C304,C512	CAP PLASTIC	0.22uF J 63V MEB T (5%)	281502322400
C219	CAP PLASTIC	0.47uF J 63V MEB T	281502347400
C535	CAP PLASTIC	0.1uF J 250V MPP 10	281602110400
C536	CAP PLASTIC	0.22uF J 250V MPP 15	281602122400
C538	CAP PLASTIC	0.56uF J 250V MPP 20	281602156400
C534	CAP PLASTIC	0.27uF J 400V MPP 15	281603327400
C601	CAP X	0.22uF AC 250V/300V 22.5	291000022400
C610,C615	CAP Y1	4700PF AC 250V (AH)	291250047200
L505	LINEARITY COIL	0A 9.9uH ET17	321000002500
L507	COIL CHOKE	17uH	321200001300
L510	COIL CHOKE	3mH	321200003500
L602	AC LINE FILTER	35mH	321300100700
G2B	CORE	1-T-20x10x10-EM2	321500002300
L608	COIL BEAD	6mmX10mm	321503000400
J05,L102,L501,L502, L603,L606,L609,L610, L612	COIL BEAD	3.5mmX6mm	321503001000
J28,J28A,L503	CORE BEAD	3.5X9X0.8	321503001300
L601,L601A	CORE RING	35uH	321700001000
D202	COIL PEAKING	10uH K T (EC24)	323053010000
T601	TRANSFORMER	POWER UD1	331000002000
T501	TRANSFORMER	FBT ET17	331100002300
T504	TRANSFORMER	FOCUS	331250000600
T503	TRANSFORMER	COUPLING	331250000700
T502	TRANSFORMER H-DRIVER	L:53uH+/-20%,LK:160uH	331300000800
Q608	TRANSISTOR	2SA673AC	361103067300
Q201,Q503,Q506,Q515	TRANSISTOR	2SA733P	361103073300
Q610,Q611	TRANSISTOR	2SA1020Y T	361103102000
Q508	TRANSISTOR	2SC5387(HFE)	361300538700
Q101,Q202,Q203,Q204,	TRANSISTOR TAPING	H945P / C945P	361303094500

Q504,Q511,Q514,Q523, Q524,Q525,Q527,Q603, Q606,Q607			
Q609	TRANSISTOR	2SC1213AC T	361303121300
Q507	TRANSISTOR	2SK941	361500094100
Q501	TRANSISTOR	SSS6N60A	361550066000
Q602	TRANSISTOR	SSS7N80A	361550078000
Q513	TRANSISTOR	BF420 T	361603042000
Q502	TRANSISTOR	BF423 T	361603042300
Q516	TRS. N-MOSFET FAIRCHILD	IRFS740B 10A/400V TO220F	361700074000
Q517,Q518	TRANSISTOR	IRFS630A/CEFF630	361703063000
D502,D508	DIODE UF4005G JIT	1A/600V 50-75ns T	371203100600
D619,D619B	DIODE UF4007 JIT	1A/1000V 50-75ns T	371213101000
D101,D102,D204,D503, D505,D507,D512,D610, D613,D618	DIODE	1N4148(1A/75V) T	371303107500
D509	DIODE (2A/400V)	UGP20G/SF20GG KINK P=20	371721200400
Q509	DIODE	BY329X-1500S 5A/1500V	371960501504
D201,D513,D612,D801	DIODE 1A/100V T	FR102/PR1002	372153100100
D516,D611	DIODE 1A/400V T	FR104/PR1004	372153100400
D609	DIODE 1A/600V T	PR1005	372153100600
D301	DIODE 1A/1KV T	FR107/PR1007	372153101000
D617	DIODE	HER304 3A/300V KINK P=20	372201300325
D615	DIODE	HER305 3A/400V KINK P=20	372201300425
D621	DIODE 3A/800V KINK P=20	UF3006	372201300824
D622	DIODE 3A/1KV KINK P=20	UF3007	372201301024
D517	DIODE 1A/100V T	HER102/UF1002	372203100100
D616,D624	DIODE 2A/400V T	HER205/UF2004	372203200400
D608	DIODE 2A/800V T	HER207/UF2006	372203200800
D601	DIODE BRIDGE	PBL406/KBL406(4A/800V)	373000400800
LED1	LED	D=3mm GREEN L-34GD	373502100300
D605	DIODE ZENER HITACHI	1/2W HZ4C3 DO-35 T	375003043300
D610A,R804	DIODE ZENER	1/2W HZ5C2 5.0V-5.2V T	375003053200
D510	DIODE ZENER	1/2W HZ15-2 T	375003150200
D619A	DIODE ZENER	1/2W HZ20-3 20.2-21.1 T	375003200300
D515	DIODE ZENER	1/2W HZ36-2 T	375003360200
D504	ZENER DIODE	1W Z150A 150V 10% T	375503015100
U301	IC	TDA8172 vertical process	381300017210
U201	IC	TDA9113	381400011310
U602	IC	UC3842AM 8	382500084227
U501	IC	HA17812 3	382600081201
Q505	IC	TL431	382660043144
U603	IC	LM2940 3	382700094005
U102	IC	AT24C04 8	384300040425
U103	IC	WT6804 16	384300080416
U101	MASK MCU ELO	UD7/TE6/ETx REV1.0	384915930116

RL501	RELAY 1P2T 12V JS1-12V	AJS-1311 NAIS	432001200700
RL601	RELAY	2P1T 12V FTR-F4AK012T	432002101000
	PCB MAIN CEMI-1 T1.6/1oz	246x249mm REV.01 ET15/17	441000470100
U101A	IC SOCKET	40PIN 2.54mm D=15.24	450050404000
F601A	CLIP FUSE	5X20mm t=0.4mm	450065200200
TB2	GT PIN	R=1.56mm l=13mm	452001561300
R525A,R525B	GT PIN	R=2.36mm L=20mm	452002362000
T12	BASE PIN	2.0mm 2PIN	452072000200
T10,T8	BASE PIN	2.5mm 2PIN	452102500200
T3	BASE PIN	2.5mm 5PIN	452102500500
T7	BASE PIN	5-7.5mm 2PIN A1561WV2-2P	452205750200
T5	BASE PIN	8-10mm 4PIN JS-1122-4	452258100400
DOWNLOAD	PIN HEADER	2.54mm 2PINX1ROW	452802500200
T11A	PIN HEADER L=4.0mm	2.54mm 6PINX1ROW RA	452862500600
T9A	PIN HEADER L=4.0mm	2.54mm 13PINX1ROW RA	452862501300
T4A	BASE PIN	2.0mm 6PIN RA	453012000600
F601	FUSE GLASS TUBE 5TT3 BEL	3A 250V S-B 5*20 UL/CSA	471100030000
F602,J21	FUSE PICO	2A 125V F-B 251	471503020000
X101	CRYSTAL	12MHZ (HC-49/U)	473000120000
U301T	SILICON INSULATOR	TO-220 13mmX18.5mm	475000100100
Q602P	SILICON RUBBER TO-2025A	20mmX25mmx0.45mm	475000200200
Q602N	TRANSISTOR COVER	TR-09	475050000100
W502	WIRE 1500#18 BLK	SRA/ST0(SLEEVE) L=180mm	512006401800
G2	WIRE SVF1/1032#22 WHITE	L=330	523018593300
S101	WIRE ASSY + AC SOCKET	1617#18 1015#18 L=270mm	531000301600
T10A	WIRE ASSY UL1007#26x4C	(L295/325mm)2P-2P/4P	531000401700
T6	WIRE ASS'Y 2651#28	2mm-6/2mm-6 L=240mm	531000601200
T4	WIRE ASS'Y 2651#28X6C	6P-6P(3,4 CROSS)L=1000mm	531000601900
T2	WIRE ASSY L=330mm	2mm-9/2mm-9 2651#28+CORE	531000900900
W202	SIGNAL CABLE UL20279X13C	DSUB-15/XHP-5-7 L=280mm	531310200300
T1	JUMPER WIRE	PITCH=5mm	531400005000
D803,D804,J01,J13, J15,J16,J31,J37, J38,J39,J40,J42, J43,J47,L611,R148, R149,R153,R574, R803	JUMPER WIRE	PITCH=7.5mm	531400007500
J02,J06,J10,J11, J18,J19,J22,J25, J26,J29,J30,J32, J33,J48,L101,L508, R613,R624	JUMPER WIRE	PITCH=10mm	531400010000
J12,J20,J23,J24, J34,J36,R506,R534	JUMPER WIRE	PITCH=12.5mm	531400012500
J04,J07,J08,J09,J14	JUMPER WIRE	PITCH=20mm	531400020000
L504	JUMPER WIRE	PITCH=20mm	531400020000

R620A	TUBE HOT-SHRINK UL/CSA	D=9X0.25mm L=30mm	531509003000
G2A,G2C	CABLE TIE PLT1M	L=100mm 7130K12	532000001000
	ET17 MB ATRONIC RIVET	ET17	571717303000F
U301P	TRANSISTOR WASHER	PIN GOOD 604S	712000300101
5S01	BRACKET	BACK (ELO)	720114300103
5S07	BRACKET	FBT (ET1)	720120500101
5S05,5S06	BRACKET FOOT	ET17 ATRONIC	720131000102
5S02	HEAT SINK	SIDE (L) (ELO) ET17/19	730102500101
5S03	HEAT SINK	SIDE (R) (ELO)	730102500401
Q516N	HEAT SINK	60X24X30.5 18mm	730401900101
5S02M,5S03M	SCREW	CPM 3.0x8 Zn-Cc	771106050201
S101N	SCREW	CPTTB 4X8 Zn-Cc	771317050201
5S01N,5S07M, Q516M,W202N	SCREW	CPTSPB 3.0x8 Zn-Cc	771376050201
U301M	SCREW	CPTSPB 3.0x12 Zn-Cc	771376070201
5S07N	SCREW	CTTWC 4.0x10 Zn-Cc	773457060201
5S01M,Q501M, Q508M,Q509M	SCREW	CTTWE 3.0x8 Zn	773656050201
Q602M	SCREW	CTTWE 3.0X14 Zn	773656080201
W202M	SCREW R0313L41C	IOHMF 4-40 Ni	775106050301
U301N	NUT	M3.0 3.0x0.5 Zn-Cc	780203010201
C506R,Q602R, R602R	RIVET	d1.2Xd1.6Xd2.9X3.0L Cr	790800010501
L601AR,L601R, L602R,Q509R	RIVET	d1.4Xd1.8Xd3.0X3.0L Cr	790800020501
D601R,D621R,D622R, L505R,Q508R	RIVET	d1.6Xd2.0Xd4.0X3.0L Cr	790800030501
C611R,S601R, T501R,T601R	RIVET	d1.9Xd2.3Xd3.8X3.0L Cr	790800070501
571717304000A (ET17 CRT BD ATRONIC ASSY)			
CIRCUITREF	DESCRIPTION		PART NO.
R711,R712,R713,R714, R736	RES CF	1/8W 100ohm J T	211003010100
R710,R737	RES CF	1/8W 1K J(+/-5%) T	211003010200
R707,R735	RES CF	1/8W 10K J(+/-5%) T	211003010300
R708,R709,R722,R723, R724	RES CF	1/8W 220ohm J(+/-5%) T	211003022100
R729,R730,R731	RES CF	1/8W 220K J T	211003022400
R704,R705,R706	RES CF	1/8W 330ohm J T	211003033100
R726,R727,R728	RES CF	1/8W 56ohm J T	211003056000
R701,R702,R703	RES CF	1/8W 75ohm J T	211003075000
R738	RES CF	1/4W 100ohm J T	211103010100
R732,R733,R734	RES CF	1/4W 56ohm J T	211103056000
R742	RES CF	1/2W 100K J T	211203010400
R741	RES MOF	1W 3.3ohm J 12.5	212501033800
C704	CAP ELEC	100uF M 10V 105 TAPING	261201310100

C708	CAP ELEC	22uF M 10V 105 T	261201322000
C710	CAP ELEC	10uF M 50V 105 T (20%)	261205310000
C722,C727	CAP ELEC	2.2uF M 100V 105 TAPING	261208322800
C716,C717,C718	CAP ELEC	1uF M 100V 105 NK T	261328310800
C709	CAP CERAMIC	100PF K 50V Y5P T	272001310100
C705	CAP CERAMIC	220PF K 500V Y5P T	272004322100
C724	CAP CERAMIC	560PF K 500V Y5P T	272004356100
C711,C719,C720,C721, C726	CAP CERAMIC	0.01uF M 500V Z5U T	272104310300
C723	CAP CERAMIC	0.01uF M 1KV Z5U 7.5 20%	272105110300
C707,C712,C713,C714, C715,C725	CAP CERAMIC	0.1uF Z 50V Y5V T (20%)	272201310400
C701,C702,C703	CAP PLASTIC	0.022uF J 50V PEI T	281001322300
L704,L705,L706	COIL PEAKING	0.22uH K T	323053022900
D701,D702,D703,D704, D705,D706	DIODE	FDH400.TR D0-35	370503040000
D707,D708,D709,D711	DIODE	1N4148(1A/75V) T	371303107500
U701	IC	LM1269 NS	381000026905
U703	IC	LM2469TA	381100046905
U702	IC	LM2480 NS	381100048005
	PCB NECK CEM-I T1.6/1oz	L82xW90mm FOR ET17 /19	441100310100
CRTA	SOCKET CRT	ISDW01S 01S44C INCHANGE	450010001700
G2	GT PIN	R=1.56mm l=13mm	452001561300
T704	GT PIN	R=2.36mm L=14mm	452002361400
U704	BASE PIN	2.5mm 2PIN	452102500200
T701	BASE PIN	2.5mm 7PIN R/A	452112500700
T703	BASE PIN	2.0mm 6PIN RA	453012000600
T702	BASE PIN	2.0mm 9PIN RA	453012000900
C728,K701,K702,K703, K704	SPARK GAP	1.2KV	473500312200
J702,J703,J710	JUMPER WIRE	PITCH=7.5mm	531400007500
J701,J705,R719,R720, R721	JUMPER WIRE	PITCH=10mm	531400010000
J706,J707,J708,J711	JUMPER WIRE	PITCH=12.5mm	531400012500
J704	JUMPER WIRE	PITCH=15mm	531400015000
J709	JUMPER WIRE	PITCH=20mm	531400020000
	ET17 CRT BD ATRONIC ASSY	ET17	571717304000 A
5S04	VIDEO SHIELDING	GAME	720305200101
U703N	HEAT SINK	60LX24WX30.5H 13mm	730401900301
U703M	SCREW	CTTWE 3.0x8 Zn	773656050201
571717305000A (ET17 PFC BOARD ASSY)			
CIRCUITREF	DESCRIPTION		PART NO.
R605	RES CF	1/8W 10ohm J T	211003010000
R606	RES CF	1/8W 10K J(+/-5%) T	211003010300
R603	RES CF	1/8W 15K J T	211003015300

R607	RES CF	1/8W 22K J T	211003022300
R610	RES CF	1/8W 5.6K J T	211003056200
R609,R609A, R611,R611A	RES CF	1/2W 470K J T	211203047400
R612	RES MOF	2W 0.47ohm J 15	212601047900
R602A	NTCR	3A 5ohm SCK053	231103050800
C606	CAP ELEC	10uF M 50V 105 T (20%)	261205310000
C608A	CAP CERAMIC	100PF K 50V Y5P T	272001310100
C605A	CAP PLASTIC	0.68uF J 400V MEF 20	281406168400
C608	CAP PLASTIC	0.1uF J 63V MEB T	281502310400
C607	CAP PLASTIC	0.022uF J 63V MEB T	281502322300
T602	PFC TRANSFORMER	PFC ET17	331650000500
Q601	TRANSISTOR	SSS6N60A	361550066000
D604	DIODE 1A/400V T	FR104/PR1004	372153100400
D607	DIODE 3A/800V KINK P=20	UF3006	372201300824
U605	IC	L6561	380500056110
	PCB CEM-1 T1.6/1oz	52.5x81mm PFC BOARD ET17	441740000300
T13A	PIN HEADER L=4.0mm	2.54mm 9PINX1ROW RA	452862500900
J35,R604,R608	JUMPER WIRE	PITCH=7.5mm	531400007500
L605	JUMPER WIRE	PITCH=10mm	531400010000
	ET17 PFC BOARD ASSY	ET17 ATRONIC	571717305000A
	PCB HINGE	PINGOOD BH-7	711902800101
Q601Q	HEAT SINK	40LX24WX30.5H	730402700101
Q601M	SCREW	CTTWE 3.0x8 Zn	773656050201

ET 19“

ET1987C-4SWA-1, ET1987C-ONWA-1, ET1987C-4UWA-1, ET1987C-4SWA-1-CGA, ET1987C-4SWA-1-VLC, ET1945C-4SWE-1, ET1945C-4UWE-1, ET1987C-4SCA-1-GAU, ET1987C-4SWA-1-2500G-SED			
Common Parts			
571909304000A (ET17/19 CRT BOARD ASSY)			
571909303000D (ET19 NEW M/B RIVET ASSY)			
571909304000A (ET17/19 CRT BOARD ASSY)			
CIRCUITREF	DESCRIPTION		PART NO.
R711,R712,R713,R714, R736	RES CF	1/8W 100ohm J T	211003010100
R710,R737	RES CF	1/8W 1K J(+/-5%) T	211003010200
R707,R735	RES CF	1/8W 10K J(+/-5%) T	211003010300
R708,R709,R722,R723, R724	RES CF	1/8W 220ohm J(+/-5%) T	211003022100
R729,R730,R731	RES CF	1/8W 220K J T	211003022400
R704,R705,R706	RES CF	1/8W 330ohm J T	211003033100
R726,R727,R728	RES CF	1/8W 56ohm J T	211003056000
R701,R702,R703	RES CF	1/8W 75ohm J T	211003075000
R738	RES CF	1/4W 100ohm J T	211103010100
R732,R733,R734	RES CF	1/4W 56ohm J T	211103056000
R742	RES CF	1/2W 100K J T	211203010400
R741	RES MOF	1W 3.3ohm J 12.5	212501033800
C704	CAP ELEC	100uF M 10V 105 TAPING	261201310100
C708	CAP ELEC	22uF M 10V 105 T	261201322000
C710	CAP ELEC	10uF M 50V 105 T (20%)	261205310000
C722,C727	CAP ELEC	2.2uF M 100V 105 TAPING	261208322800
C716,C717,C718	CAP ELEC	1uF M 100V 105 NK T	261328310800
C709	CAP CERAMIC	100PF K 50V Y5P T	272001310100
C705	CAP CERAMIC	220PF K 500V Y5P T	272004322100
C724	CAP CERAMIC	560PF K 500V Y5P T	272004356100
C711,C719,C720,C721, C726	CAP CERAMIC	0.01uF M 500V Z5U T	272104310300
C723	CAP CERAMIC	0.01uF M 1KV Z5U 7.5 20%	272105110300
C707,C712,C713,C714, C715,C725	CAP CERAMIC	0.1uF Z 50V Y5V T (20%)	272201310400
C701,C702,C703	CAP PLASTIC	0.022uF J 50V PEI T	281001322300
L704,L705,L706	COIL PEAKING	0.22uH K T	323053022900
D701,D702,D703,D704, D705,D706	DIODE	FDH400.TR D0-35	370503040000
D707,D708,D709,D711	DIODE	1N4148(1A/75V) T	371303107500
U701	IC	LM1269 NS	381000026905
U703	IC	LM2469TA	381100046905
U702	IC	LM2480 NS	381100048005
U704	IC	L7805CV 3	382600080510

CRTA	PCB NECK CEM-I T1.6/1oz	L82xW90mm FOR ET17 /19	441100310100
G2	SOCKET CRT	ISDW01S 01S44C INCHANGE	450010001700
T704	GT PIN	R=1.56mm l=13mm	452001561300
T701	GT PIN	R=2.36mm L=14mm	452002361400
T703	BASE PIN	2.5mm 7PIN R/A	452112500700
T702	BASE PIN	2.0mm 6PIN RA	453012000600
C728,K701,K702,K703, K704	BASE PIN	2.0mm 9PIN RA	453012000900
J702,J703,J710	SPARK GAP	1.2KV	473500312200
J701,J705,R719,R720, R721	JUMPER WIRE	PITCH=7.5mm	531400007500
J706,J707,J708,J711	JUMPER WIRE	PITCH=10mm	531400010000
J704	JUMPER WIRE	PITCH=12.5mm	531400012500
J709	JUMPER WIRE	PITCH=15mm	531400015000
5S04	JUMPER WIRE	PITCH=20mm	531400020000
U703N	ET17/19 CRT BOARD ASSY	ET17/19	571909304000A
U703M	VIDEO SHIELDING	GAME	720305200101
	HEAT SINK	60LX24WX30.5H 13mm	730401900301
	SCREW	CTTWE 3.0x8 Zn	773656050201

571909303000D (ET19 NEW M/B RIVET ASSY)

CIRCUITREF	DESCRIPTION		PART NO.
R220,R502,R623	RES CF	1/8W 10ohm J T	211003010000
R134,R135,R136,R137, R146,R147,R223,R224, R225	RES CF	1/8W 100ohm J T	211003010100
R104,R106,R110,R112, R117,R131,R133,R138, R207,R226,R511,R519, R522,R523,R527,R562, R563,R565,R621,R635, R638	RES CF	1/8W 1K J(+/-5%) T	211003010200
R142,R228,R310,R529, R537,R631,R807	RES CF	1/8W 10K J(+/-5%) T	211003010300
R202,R231	RES CF	1/8W 100K J T	211003010400
R229	RES CF	1/8W 10M J T	211003010600
R227	RES CF	1/8W 120K J T	211003012400
R309,R503,R508	RES CF	1/8W 13K J T	211003013300
R156,R308,R520,R526	RES CF	1/8W 1.5K J T	211003015200
R212	RES CF	1/8W 15K J T	211003015300
R625	RES CF	1/8W 150K J T	211003015400
R210	RES CF	1/8W 1.8K J T	211003018200
R501,R619,R627	RES CF	1/8W 18K J T	211003018300
R540	RES CF	1/8W 180K J T	211003018400
R515	RES CF	1/8W 200K J T	211003020400
R230	RES CF	1/8W 2M J T	211003020500

R103,R111,R113,R114, R122,R123,R124,R125, R126,R127,R128,R143, R144,R200,R205,R206, R208,R222,R554	RES CF	1/8W 220ohm J(+/-5%) T	211003022100
R159,R232	RES CF	1/8W 2.2K J T	211003022200
R211	RES CF	1/8W 22K J T	211003022300
R145,R626	RES CF	1/8W 2.4K J T	211003024200
R541	RES CF	1/8W 24K J T	211003024300
R539	RES CF	1/8W 270ohm J(+/-5%) T	211003027100
R105	RES CF	1/8W 27K J T	211003027300
R516,R628	RES CF	1/8W 33K J T	211003033300
R524,R538	RES CF	1/8W 3.9K J(+/-5%) T	211003039200
R213	RES CF	1/8W 39K J T	211003039300
R632	RES CF	1/8W 390K J T	211003039400
D511,R101,R102	RES CF	1/8W 470ohm J T	211003047100
R108,R109,R115,R116, R118,R119,R120,R121, R129,R130,R132,R517, R560,R561,R568,R569	RES CF	1/8W 4.7K J(+/-5%) T	211003047200
R218,R802	RES CF	1/8W 47K J T	211003047300
R209,R311	RES CF	1/8W 5.6K J T	211003056200
R203	RES CF	1/8W 56K J T	211003056300
R158,R521	RES CF	1/8W 680ohm J T	211003068100
R543,R570	RES CF	1/8W 6.8K J T	211003068200
R217,R518	RES CF	1/8W 68K J T	211003068300
R633	RES CF	1/8W 750ohm J T	211003075100
R219,R221	RES CF	1/8W 75K J T	211003075300
R622	RES CF	1/8W 82ohm J T	211003082000
R233	RES CF	1/8W 8.2K J T	211003082200
R507	RES CF	1/4W 100ohm J T	211103010100
R157,R204,R551	RES CF	1/4W 1K J T	211103010200
R542,R548	RES CF	1/4W 47ohm J T	211103047000
R637	RES CF	1/4W 470ohm J T	211103047100
R510	RES CF	1/4W 4.7K J T	211103047200
R201	RES CF	1/4W 680ohm J T	211103068100
R528	RES CF	1/4W 75ohm J T	211103075000
R513	RES CF	1/2W 1K J T	211203010200
R509	RES CF	1/2W 100K J T	211203010400
R601	RES CF	1/2W 1M J T	211203010500
R313	RES CF	1/2W 1ohm J T	211203010800
R307	RES CF	1/2W 1.1ohm J T	211203011800
R641	RES CF	1/2W 180K J T	211203018400
R545	RES CF	1/2W 220ohm J T	211203022100
R304A,R305,R305A, R306,R306A,R533	RES CF	1/2W 2.2ohm J T	211203022800

R301,R301A,R302, R303,R304	RES CF	1/2W 3.9ohm J T	211203039800
R636	RES CF	1/2W 680ohm J T	211203068100
R640	RES CF	1/2W 68K J T	211203068300
R639	RES CF	1/2W 680K J T	211203068400
R312	RES CF	1/2W 750ohm J T	211203075100
R512	RES CF	1/2W 82K J T	211203082300
R505	RES HIGH	1/2W 18M T	211223018600
R571	RES MF	1/4W 1M F T	212103010500
R552	RES MOF	1W 47ohm J 12.5	212501047000
R536	RES MOF	2W 100K J(+/-5%) P:15mm	212601010400
R530	RES MOF	2W 0.1ohm J 15	212601010900
R615,R616	RES MOF	2W 68K J 15	212601068300
R514	RES MOF	3W 100ohm J 20	212701010100
R525	RES MOF	3W 18ohm J 20	212701018000
R617	RES MOF	3W 4.7K J 20	212701047200
R620	RES MOF	5W 0.22ohm J KINK P=5	212752022900
L604	RES FUSIBLE(MF)	1/4W 0.33 J T	213653033900
R504,R535	RES FUSIBLE(MF)	1W 100 J P=12.5	213671010100
R572	RES FUSIBLE(MF)	2W 120 J P=15	213681012100
VR501	VR SEMI-FIXED	B 20K M D=6 V 0.1W CF	221300020300
VR601	VR SEMI-FIXED	B 1K M D=6 H 0.1W CF	221400010200
R600	PTCR	9ohm DGC2R9R0Q27A 2PIN	231000009000
R602	NTCR	3A 5ohm SCK053	231103050800
R614	VARISTOR 1A/150V PANJIT	P6KE150A/5W DO-41	232500000000
SW5	ENCODER DC11B2021401	FORWARD FOR ET21	232600000700
C101,C104,C114	CAP ELEC	100uF M 10V 105 TAPING	261201310100
C622	CAP ELEC	220uF M 10V 105 TAPING	261201322100
C116	CAP ELEC	470uF M 10V 105 TAPING	261201347100
C217	CAP ELEC	10uF M 16V 105 T	261202310000
C612,C635	CAP ELEC	100uF M 16V 105 TAPING	261202310100
C301,C302,C626,C629	CAP ELEC	1000uF M 16V 105 +/-20%T	261202310200
C222	CAP ELEC	220uF M 16V 105 TAPING	261202322100
C106,C111,C212,C218	CAP ELEC	47uF M 16V 105 TAPING	261202347000
C628	CAP ELEC	2200uF M 25V 105 7.5	261203122200
C619	CAP ELEC	100uF M 25V 105 T	261203310100
C502	CAP ELEC	220uF M 25V 105 TAPING	261203322100
C620	CAP ELEC	47uF M 25V 105 T (20%)	261203347000
C307	CAP ELEC	220uF M 35V 105 TAPING	261204322100
C112,C113,C223,C537	CAP ELEC	10uF M 50V 105 T (20%)	261205310000
C513	CAP ELEC	1uF M 50V 105 TAPING	261205310800
C206,C216,C225,C634	CAP ELEC	2.2uF M 50V 105 TAPING	261205322800
C105	CAP ELEC	3.3uF M 50V 105 TAPING	261205333800
C505	CAP ELEC	47uF M 50V 105 TAPING	261205347000
C633	CAP ELEC	100uF M 100V 105 T	261208310100

C509	CAP ELEC	10uF M 200V 105 TAPING	261211310000
C632	CAP ELEC	100uF M 250V 105 P=7.5	261212110100
C572	CAP ELEC	0.47uF M 250V 105 T	261212347900
C611	CAP ELEC HP (25X55)	330uF M 105 400V	262204233100
C107,C108	CAP CERAMIC	22PF J 50V NPO T	271501322000
C609	CAP CERAMIC	47PF J 500V NPO T	271504347000
C121,C201,C202,C618	CAP CERAMIC	100PF K 50V Y5P T	272001310100
C120	CAP CERAMIC	1000PF K 50V Y5P T (20%)	272001310200
C227	CAP CERAMIC	220PF K 50V Y5P T	272001322100
C616	CAP CERAMIC	470PF K 50V Y5P T	272001347100
C502A	CAP CERAMIC	560PF K 50V Y5P T	272001356100
C602,C605	CAP CERAMIC	100PF K 500V Y5P T	272004310100
C531	CAP CERAMIC	220PF K 500V Y5P T	272004322100
C527	CAP CERAMIC	1000PF K 1KV Y5P T	272005310200
C614	CAP CERAMIC	150PF K 1KV Y5P T	272005315100
C540	CAP CERAMIC	220PF K 1KV Y5P T	272005322100
C532A	CAP CERAMIC	47PF K 1KV Y5P T	272005347000
C528,C533,C630	CAP CERAMIC	0.01uF M 500V Z5U T	272104310300
C503,C613	CAP CERAMIC	0.01uF M 1KV Z5U 7.5 20%	272105110300
C103,C109,C110,C115, C211,C303,C500,C500A, C501,C525,C526,C621, C623,C627	CAP CERAMIC	0.1uF Z 50V Y5V T (20%)	272201310400
C118,C547	CAP PLASTIC	0.22uF J 50V PEI 10	281001122400
C210,C213,C215,C514	CAP PLASTIC	0.001uF J 50V PEI T	281001310200
C204,C207,C305,C306, C510,C517,C522	CAP PLASTIC	0.01uF J 50V PEI T	281001310300
C209,C226,C508,C516	CAP PLASTIC	0.1uF J 50V PEI T	281001310400
C515	CAP PLASTIC	0.012uF J 50V PEI T	281001312300
C224	CAP PLASTIC	0.15uF J 50V PEI T	281001315400
C504,C617	CAP PLASTIC	0.0022uF J 50V PEI T	281001322200
C539,C541,C801	CAP PLASTIC	0.022uF J 50V PEI T	281001322300
C518	CAP PLASTIC	0.0033uF J 50V PEI T	281001333200
C102,R140	CAP PLASTIC	0.0047uF J 50V PEI T	281001347200
C308	CAP PLASTIC	0.0068uF J 50V PEI T	281001368200
C530,C532	CAP PLASTIC	0.082uF J 50V PEI T	281001382300
C205	CAP PLASTIC	820PF J 100V PPN T	281201382100
C507	CAP PLASTIC	0.0039uF J 630V PPN 10	281204139200
C506	CAP PLASTIC	0.0062uF J 1.6KV PPS 25	281308162200
C523	CAP PLASTIC	0.00022uF 2KV PPS J 15	281309122100
C524	CAP PLASTIC	0.033uF J 250V MEF 10	281405133300
C220	CAP PLASTIC	0.15uF J 63V MEB T	281502315400
C203,C304,C512	CAP PLASTIC	0.22uF J 63V MEB T (5%)	281502322400
C219	CAP PLASTIC	0.47uF J 63V MEB T	281502347400
C538	CAP PLASTIC	1.2uF J 250V MPP 20	281602112500

C535	CAP PLASTIC	0.22uF J 250V MPP 15	281602122400
C536	CAP PLASTIC	0.39uF J 250V MPP 20	281602139400
C534	CAP PLASTIC	0.43uF J 400V MPP 20	281603143400
C601	CAP X	0.22uF AC 250V/300V 22.5	291000022400
C610,C615	CAP Y1	4700PF AC 250V (AH)	291250047200
L505	LINEARITY COIL	0A 6uH ET19	321000002300
L507	COIL CHOKE	17uH	321200001300
L510	COIL CHOKE	3mH	321200003500
L602	AC LINE FILTER	35mH	321300100700
G2B	CORE	1-T-20x10x10-EM2	321500002300
L608	COIL BEAD	6mmX10mm	321503000400
J05,L102,L501,L502, L603,L606,L609,L610, L612	COIL BEAD	3.5mmX6mm	321503001000
J28,J28A,L503	CORE BEAD	3.5X9X0.8	321503001300
L601,L601A	CORE RING	35uH	321700001000
D202	COIL PEAKING	10uH K T (EC24)	323053010000
T601	TRANSFORMER	POWER UD1	331000002000
T501	TRANSFORMER	FBT ET17	331100002300
T503	TRANSFORMER	COUPLING	331250000700
T504	TRANSFORMER	FOCUS ET	331250000800
T502	TRANSFORMER H- DRIVER	L:53uH+/-20%,LK:160uH	331300000800
Q608	TRANSISTOR	2SA673AC	361103067300
Q201,Q503,Q506,Q515	TRANSISTOR	2SA733P	361103073300
Q610,Q611	TRANSISTOR	2SA1020Y T	361103102000
Q508	TRANSISTOR	2SC5387(HFE)	361300538700
Q101,Q202,Q203,Q204, Q504,Q511,Q514,Q523, Q524,Q525,Q527,Q603, Q606,Q607	TRANSISTOR TAPING	H945P / C945P	361303094500
Q609	TRANSISTOR	2SC1213AC T	361303121300
Q507	TRANSISTOR	2SK941	361500094100
Q501	TRANSISTOR	SSS6N60A	361550066000
Q602	TRANSISTOR	SSS7N80A	361550078000
Q513	TRANSISTOR	BF420 T	361603042000
Q502	TRANSISTOR	BF423 T	361603042300
Q517,Q518	TRANSISTOR	IRFS640A	361700064000
Q516	TRS. N-MOSFET FAIRCHILD	IRFS740B 10A/400V TO220F	361700074000
D502,D508	DIODE UF4005G JIT	1A/600V 50-75ns T	371203100600
D619,D619B	DIODE UF4007 JIT	1A/1000V 50-75ns T	371213101000
D101,D102,D204,D503, D505,D507,D512,D610, D613,D618	DIODE	1N4148(1A/75V) T	371303107500
D509	DIODE (2A/400V)	UGP20G/SF20GG KINK P=20	371721200400

Q509	DIODE	BY329X-1500S 5A/1500V	371960501504
D201,D513,D612,D801	DIODE 1A/100V T	FR102/PR1002	372153100100
D516,D611	DIODE 1A/400V T	FR104/PR1004	372153100400
D609	DIODE 1A/600V T	PR1005	372153100600
D301	DIODE 1A/1KV T	FR107/PR1007	372153101000
D617	DIODE	HER304 3A/300V KINK P=20	372201300325
D615	DIODE	HER305 3A/400V KINK P=20	372201300425
D621	DIODE 3A/800V KINK P=20	UF3006	372201300824
D622	DIODE 3A/1KV KINK P=20	UF3007	372201301024
D517	DIODE 1A/100V T	HER102/UF1002	372203100100
D616,D624	DIODE 2A/400V T	HER205/UF2004	372203200400
D608	DIODE 2A/800V T	HER207/UF2006	372203200800
D601	DIODE BRIDGE	PBL406/KBL406(4A/800V)	373000400800
LED1	LED	D=3mm GREEN L-34GD	373502100300
D605	DIODE ZENER HITACHI	1/2W HZ4C3 DO-35 T	375003043300
D610A,R804	DIODE ZENER	1/2W HZ5C2 5.0V-5.2V T	375003053200
D510	DIODE ZENER	1/2W HZ15-2 T	375003150200
D619A	DIODE ZENER	1/2W HZ20-3 20.2-21.1 T	375003200300
D515	DIODE ZENER	1/2W HZ36-2 T	375003360200
D504	ZENER DIODE	1W Z150A 150V 10% T	375503015100
U301	IC	TDA8172 vertical process	381300017210
U201	IC	TDA9113	381400011310
U602	IC	UC3842AM 8	382500084227
U501	IC	HA17812 3	382600081201
Q505	IC	TL431	382660043144
U603	IC	LM2940 3	382700094005
U102	IC	AT24C04 8	384300040425
U103	IC	WT6804 16	384300080416
U101	MASK MCU ELO	UD7/TE6/ETx REV1.0	384915930116
RL501	RELAY 1P2T 12V JS1- 12V	AJS-1311 NAIS	432001200700
RL601	RELAY	2P1T 12V FTR-F4AK012T	432002101000
	PCB MAIN CEMI-1 T1.6/1oz	246x249mm REV.01 ET15/17	441000470100
U101A	IC SOCKET	40PIN 2.54mm D=15.24	450050404000
F601A	CLIP FUSE	5X20mm t=0.4mm	450065200200
TB2	GT PIN	R=1.56mm l=13mm	452001561300
R525A,R525B	GT PIN	R=2.36mm L=20mm	452002362000
T12	BASE PIN	2.0mm 2PIN	452072000200
T10	BASE PIN	2.5mm 2PIN	452102500200
T3	BASE PIN	2.5mm 5PIN	452102500500
T8	BASE PIN	2.5mm (NARROW) 3P	452142500300
T7	BASE PIN	5-7.5mm 2PIN A1561WV2-2P	452205750200
T5	BASE PIN	8-10mm 4PIN JS-1122-4	452258100400
DOWNLOAD	PIN HEADER	2.54mm 2PINX1ROW	452802500200

T11A	PIN HEADER L=4.0mm	2.54mm 6PINX1ROW RA	452862500600
T9A	PIN HEADER L=4.0mm	2.54mm 13PINX1ROW RA	452862501300
T4A	BASE PIN	2.0mm 6PIN RA	453012000600
F601	FUSE GLASS TUBE 5TT3 BEL	3A 250V S-B 5*20 UL/CSA	471100030000
F602,J21	FUSE PICO	2A 125V F-B 251	471503020000
X101	CRYSTAL	12MHZ (HC-49/U)	473000120000
U301T	SILICON INSULATOR	TO-220 13mmX18.5mm	475000100100
Q602P	SILICON RUBBER TO-2025A	20mmX25mmx0.45mm	475000200200
Q602N	TRANSISTOR COVER	TR-09	475050000100
W502	WIRE 1500#18 BLK	SRA/ST0(SLEEVE) L=180mm	512006401800
G2	WIRE SVF1/1032#22 WHITE	L=330	523018593300
S101	WIRE ASSY	AC CONNECTOR 3PIN ELO	531000301100
T6	WIRE ASS'Y 2651#28	2mm-6/2mm-6 L=240mm	531000601200
T4	WIRE ASS'Y 2651#28X6C	6P-6P(3,4 CROSS)L=1000mm	531000601900
T2	WIRE ASSY L=330mm	2mm-9/2mm-9 2651#28+CORE	531000900900
W202	SIGNAL CABLE UL20279X13C	DSUB-15/XHP-5-7 L=280mm	531310200300
T1	JUMPER WIRE	PITCH=5mm	531400005000
D803,D804,J01,J13, J15,J16,J31,J37,J38, J39,J40,J42,J43,J46, L611,R148,R149,R153, R155,R574,R803	JUMPER WIRE	PITCH=7.5mm	531400007500
J02,J06,J10,J11,J17, J18,J19,J22,J25,J26, J29,J30,J32,J33,J48, L101,L508,R613,R624	JUMPER WIRE	PITCH=10mm	531400010000
J12,J20,J23,J24,J34, J36,R506,R534	JUMPER WIRE	PITCH=12.5mm	531400012500
J04,J07,J08,J09, J14,L504	JUMPER WIRE	PITCH=20mm	531400020000
R620A	TUBE HOT-SHRINK UL/CSA	D=9X0.25mm L=30mm	531509003000
G2A,G2C	CABLE TIE PLT1M	L=100mm 7130K12	532000001000
	ET19 NEW M/B RIVET ASSY	ET19	571909303000D
U301P	TRANSISTOR WASHER	PIN GOOD 604S	712000300101
5S01	BRACKET	BACK (ELO)	720114300103
5S05	BRACKET	FOOT (ELO)	720114400301
5S06	BRACKET	FOOT (ELO)	720114400301
5S07	BRACKET	FBT (ET1)	720120500101
5S02	HEAT SINK	SIDE (L) (ELO) ET17/19	730102500101
5S03	HEAT SINK	SIDE (R) (ELO)	730102500401
Q516N	HEAT SINK	60X24X30.5 18mm	730401900101
5S02M,5S03M	SCREW	CPM 3.0x8 Zn-Cc	771106050201
S101N	SCREW	CPTTB 4X8 Zn-Cc	771317050201

5S01N,5S07M, Q516M,W202N U301M	SCREW	CPTSPB 3.0x8 Zn-Cc	771376050201
5S07N	SCREW	CPTSPB 3.0x12 Zn-Cc	771376070201
5S01M,Q501M, Q508M,Q509M	SCREW	CTTWC 4.0x10 Zn-Cc	773457060201
Q602M	SCREW	CTTWE 3.0x8 Zn	773656050201
W202M	SCREW R0313L41C	CTTWE 3.0X14 Zn	773656080201
U301N	NUT	IOHMF 4-40 Ni	775106050301
C506R,Q602R, R602R	RIVET	M3.0 3.0x0.5 Zn-Cc	780203010201
L601AR,L601R, L602R,Q509R	RIVET	d1.2Xd1.6Xd2.9X3.0L Cr	790800010501
D601R,D621R, D622R,L505R, Q508R	RIVET	d1.4Xd1.8Xd3.0X3.0L Cr	790800020501
C611R,S601R, T501R,T601R	RIVET	d1.6Xd2.0Xd4.0X3.0L Cr	790800030501
		d1.9Xd2.3Xd3.8X3.0L Cr	790800070501

ET1987C-4SWA-1			
CIRCUITREF	DESCRIPTION		PART NO.
V501B	DEGAUSSING COIL ET19	L=410/265/350mm 群鵬	321400001507
5S04M	GASKET	20X20X20	474400000300
T10A	WIRE ASS'Y 012379	XHP2-10 1007#26 L=255mm	531000200700
V501D	WIRE ASSY 1015#22	SGF-STO L=170/110+SLEEVE	531000203300
W204	WIRE ASS'Y 012378	DSUB9-10 2651#28 L=305mm	531000900500
W201	SIGNAL CABLE 6715008201	DSUB-15PX2 1830mm HP	531311800800
W203	SIGNAL CABLE 1830mm HP	DSUB-9PX2 PE0145	531311800900
V501CA,V501CC	CABLE TIE PLT1M	L=100mm 7130K12	532000001000
V501A	CRT GROUNDING WIRE	0.12/64 1015#22 ET19	532500005600
	ET19 NEW M/B RIVET ASSY	ET19	571909303000D
	ET17/19 CRT BOARD ASSY	ET17/19	571909304000A
	ET19 CPT CRT iTOUCH ASSY	ET19	571909402000A
	IT SERIAL CONTROL BD	351077-000	581512302001A
6F12	MINI BEZEL	ET19(NEW)	710103300201
6F08S	KNOB	ET17 ATRONIC	711102000101
6F08N,6F08R	PCB SUPPORT R0180L2000	PINGOOD SCB-5 (ET1)	711901900101
T10B	MOVABLE TIE	PINGOOD (BST-6A)	712100800101
6F01,6F02	TOP/BOTTOM CHASSIS	GAME 19	720112300102
6F10	BRACKET	REAR (ELO) 15	720114500102
6F06	BRANCE ANGLE LEFT	(ELO) ET19C	720114800101
6F07	BRANCE ANGLE RIGHT	ET19C	720114900101
6F05	BRACKET	MAIN BOARD ET1 (ELO)	720115100202
6F08	BRACKET	CONTROLLER ET1 (ELO)	720115200201
6F03,6F04	BRANCE	ET19 REVISION	720133500202
6F22	FENCE	OSD ET1	720139800101
V501P	CAUTION LABEL	25KV	740202400101
6B01M	HI POT LABEL		740202700101
	WARNING LABEL	D.I FOR CARTON (ELO)	740203200101
V501Q	CRT LABEL	FOR CPT ASAHI	740402400101
6F08T	VR LABEL	ET1 KNOB	740402900101
	BLANK B/C LABEL	T=0.05 76X57.6	741200700101
	RIBBON	RICOH B-110A 110mmX300M	741300200101
6F07T	RUBBER PAD	ET1	760201600101
	WIPER BLADE EXTRUEDE	ELO 700307	760400100101
6F22A	SCREW	CPMSP M3.0x6 Zn-Cc	771176040201
5S05M,5S06M, 6F05M,6F06M, 6F07M,6F10M	SCREW	CPMSP 4.0X8 Zn	771177050101
6F12M	SCREW	CPMSP M4.0X10 Zn-Cc	771177060201
6F03M,6F04M	SCREW	CPMSP M6X8 Zn	771179050101
6F08M,6F08P, 6F08Q	SCREW	CPTSPB 3.0x8 Zn-Cc	771376050201
W204M	SCREW R0313L41C	IOHMF 4-40 Ni	775106050301
6F12N	SCREW	IOHM M4X10+M6X15 Zn	775117060101

6F12P	WASHER	15X10.5X6.1	791200030101
1P21	PE BAG	900x500x440x0.03t	810202500101
1P11B	DRIER SILICA GEL	ELO 15 (40g)	810400300101
1P01	EPE FOAM (L)	ET19	810701700101
1P02	EPE FOAM (R)	ET19	810701800101
1P22	ZIP BAG R0273A14	210X295X0.04t	811200400101
1P11	CARTON	ET19	820105700101
V501E,V501F	TAPE MYLAR	3M#898 19mmX50M	820300400101
6F12Q	BEZ-GASKET	ET17/19/21	820305100101
	END UNIT LABEL	(INNE)	820600500101
	BLANK LABEL	(50X35)	820604200101
	BLANK BARCODE LABEL	ELO 100X100	820606200101
2P03	QUICK START GUIDE	ET1	821103400103
2P02	GUIDE TOOLS CD	ELO REV.J	821500101101
1P06	PALLET	WOODEN 1145X1130X130mm	821601600101
	GLUE HOT MELT CLEARSTICK	ELO (160108)	830100300101
	LOCTITE	ELO (262)	830100400101
6F12	FLUOROSYL 998307	FSD2500-16 ELO	830200300101
571909402000A (ET19 CPT CRT iTOUCH ASSY)			
CIRCUITREF	DESCRIPTION		PART NO.
V501	CRT 0.25mm CPT	M46AJM53X76(EL) (Asahi)	411902501504
V501E	ALU TAPE	3cmX20cm ELECTRIC	474363002000
	WIRE ASSY	ELO 012525 ET19	531001201800
	ADHESIVE DOUBLE TAPE	ELO W=3.14mm L=33M/R	820303300101
	GEL	602-GEL ELO 10ml	830100200301
	UV GLUE	Elo (6-20288)	830101400101
	UV INK 160173	ELO (M16979-05-N) 700g	830200100101

ET1987C-ONWA-1			
CIRCUITREF	DESCRIPTION		PART NO.
V501B	DEGAUSSING COIL ET19	L=410/265/350mm 群鵬	321400001507
V501	CRT 0.25mm CPT	M46AJM53X76(EL) (Asahi)	411902501504
5S04M	GASKET	20X20X20	474400000300
5S04M	GASKET	L TYPE 7*6*20(mm)	474400000400
V501D	WIRE ASSY 1015#22	SGF-STO L=170/110+SLEEVE	531000203300
W201	SIGNAL CABLE 6715008201	DSUB-15PX2 1830mm HP	531311800800
V501CA,V501CC	CABLE TIE PLT1M	L=100mm 7130K12	532000001000
V501A	CRT GROUNDING WIRE	0.12/64 1015#22 ET19	532500005600
	ET19 NEW M/B RIVET ASSY	ET19	571909303000D
	ET17/19 CRT BOARD ASSY	ET17/19	571909304000A
6F08S	KNOB	ET17 ATRONIC	711102000101
6F01,6F02	TOP/BOTTOM CHASSIS	GAME 19	720112300102
6F10	BRACKET	REAR (ELO) 15	720114500102
6F06	BRANCE ANGLE LEFT	(ELO) ET19C	720114800101
6F07	BRANCE ANGLE RIGHT	ET19C	720114900101
6F05	BRACKET	MAIN BOARD ET1 (ELO)	720115100202
6F08	BRACKET	CONTROLLER ET1 (ELO)	720115200201
6F03,6F04	BRANCE	ET19 REVISION	720133500202
6F22	FENCE	OSD ET1	720139800101
V501P	CAUTION LABEL	25KV	740202400101
6B01M	HI POT LABEL		740202700101
6F08T	VR LABEL	ET1 KNOB	740402900101
	BLANK B/C LABEL	T=0.05 76X57.6	741200700101
6F07T	RUBBER PAD	ET1	760201600101
6F22A	SCREW	CPMSP M3.0x6 Zn-Cc	771176040201
5S05M,5S06M, 6F05M,6F06M, 6F07M,6F10M	SCREW	CPMSP 4.0X8 Zn	771177050101
6F03M,6F04M	SCREW	CPMSP M6X8 Zn	771179050101
6F08M,6F08P, 6F08Q	SCREW	CPTSPB 3.0x8 Zn-Cc	771376050201
6F01M,6F02M	SCREW	CHTM M6X15 Zn	775119080101
1P21	PE BAG	900x500x440x0.03t	810202500101
1P11B	DRIER SILICA GEL	ELO 15 (40g)	810400300101
1P01	EPE FOAM (L)	ET19	810701700101
1P02	EPE FOAM (R)	ET19	810701800101
1P22	ZIP BAG R0273A14	210X295X0.04t	811200400101
1P11	CARTON	ET19	820105700101
V501E,V501F	TAPE MYLAR	3M#898 19mmX50M	820300400101
	END UNIT LABEL	(INNE)	820600500101
	BLANK LABEL	(50X35)	820604200101
	BLANK BARCODE LABEL	ELO 100X100	820606200101
2P03	QUICK START GUIDE	ET1	821103400103
2P02	GUIDE TOOLS CD	ELO REV.J	821500101101
1P06	PALLET	WOODEN 1145X1130X130mm	821601600101

ET1987C-4UWA-1

CIRCUITREF	DESCRIPTION		PART NO.
V501B	DEGAUSSING COIL ET19	L=410/265/350mm 群鵬	321400001507
	CONTROLLER IT USB	ELO 714259-000	474000000400
5S04M	GASKET	20X20X20	474400000300
T10A	WIRE ASS'Y 012379	XHP2-10 1007#26 L=255mm	531000200700
V501D	WIRE ASSY 1015#22	SGF-STO L=170/110+SLEEVE	531000203300
W204	SIGNAL CABLE 012572	USB CABLE B-B 380mm BK	531300300200
W201	SIGNAL CABLE 6715008201	DSUB-15PX2 1830mm HP	531311800800
W203	SIGNAL CABLE CORE 012571	USB CABLE A-B 1830mm HP	531311802200
V501CA,V501CC	CABLE TIE PLT1M	L=100mm 7130K12	532000001000
V501A	CRT GROUNDING WIRE	0.12/64 1015#22 ET19	532500005600
	ET19 NEW M/B RIVET ASSY	ET19	571909303000D
	ET17/19 CRT BOARD ASSY	ET17/19	571909304000A
	ET19 CPT CRT iTOUCH ASSY	ET19	571909402000
6F12	MINI BEZEL	ET19(NEW)	710103300201
6F08S	KNOB	ET17 ATRONIC	711102000101
6F08N,6F08R	PCB SUPPORT R0180L2000	PINGOOD SCB-5 (ET1)	711901900101
T10B	MOVABLE TIE	PINGOOD (BST-6A)	712100800101
6F01,6F02	TOP/BOTTOM CHASSIS	GAME 19	720112300102
6F10	BRACKET	REAR (ELO) 15	720114500102
6F06	BRANCE ANGLE LEFT	(ELO) ET19C	720114800101
6F07	BRANCE ANGLE RIGHT	ET19C	720114900101
6F05	BRACKET	MAIN BOARD ET1 (ELO)	720115100202
6F08	BRACKET	CONTROLLER ET1 (ELO)	720115200201
6F03,6F04	BRANCE	ET19 REVISION	720133500202
6F22	FENCE	OSD ET1	720139800101
V501P	CAUTION LABEL	25KV	740202400101
6B01M	HI POT LABEL		740202700101
	WARNING LABEL	D.I FOR CARTON (ELO)	740203200101
V501Q	CRT LABEL	FOR CPT ASAHI	740402400101
6F08T	VR LABEL	ET1 KNOB	740402900101
	BLANK B/C LABEL	T=0.05 76X57.6	741200700101
	RIBBON	RICOH B-110A 110mmX300M	741300200101
6F07T	RUBBER PAD	ET1	760201600101
	WIPER BLADE EXTRUEDE	ELO 700307	760400100101
6F22A	SCREW	CPMSP M3.0x6 Zn-Cc	771176040201
W204M	SCREW	CPMSP 3X10 Ni	771176060301
5S05M,5S06M,	SCREW	CPMSP 4.0X8 Zn	771177050101
6F05M,6F06M,			
6F07M,6F10M			
6F12M	SCREW	CPMSP M4.0X10 Zn-Cc	771177060201
6F03M,6F04M	SCREW	CPMSP M6X8 Zn	771179050101
6F08M,6F08P,	SCREW	CPTSPB 3.0x8 Zn-Cc	771376050201
6F08Q			
6F12N	SCREW	IOHM M4X10+M6X15 Zn	775117060101
6F12P	WASHER	15X10.5X6.1	791200030101

1P21	PE BAG	900x500x440x0.03t	810202500101
1P11B	DRIER SILICA GEL	ELO 15 (40g)	810400300101
1P01	EPE FOAM (L)	ET19	810701700101
1P02	EPE FOAM (R)	ET19	810701800101
1P22	ZIP BAG R0273A14	210X295X0.04t	811200400101
1P11	CARTON	ET19	820105700101
V501E,V501F	TAPE MYLAR	3M#898 19mmX50M	820300400101
6F12Q	BEZ-GASKET	ET17/19/21	820305100101
	END UNIT LABEL	(INNE)	820600500101
	BLANK LABEL	(50X35)	820604200101
	BLANK BARCODE LABEL	ELO 100X100	820606200101
2P03	QUICK START GUIDE	ET1	821103400103
2P02	GUIDE TOOLS CD	ELO REV.J	821500101101
1P06	PALLET	WOODEN 1145X1130X130mm	821601600101
	GLUE HOT MELT CLEARSTICK	ELO (160108)	830100300101
	LOCTITE	ELO (262)	830100400101
6F12	FLUOROSYL 998307	FSD2500-16 ELO	830200300101
571909402000A (ET19 CPT CRT iTOUCH ASSY)			
CIRCUITREF	DESCRIPTION		PART NO.
V501	CRT 0.25mm CPT	M46AJM53X76(EL) (Asahi)	411902501504
V501E	ALU TAPE	3cmX20cm ELECTRIC	474363002000
	WIRE ASSY	ELO 012525 ET19	531001201800
	ADHESIVE DOUBLE TAPE	ELO W=3.14mm L=33M/R	820303300101
	GEL	602-GEL ELO 10ml	830100200301
	UV GLUE	Elo (6-20288)	830101400101
	UV INK 160173	ELO (M16979-05-N) 700g	830200100101

ET1987C-4SWA-1-CGA

CIRCUITREF	DESCRIPTION		PART NO.
V501B	DEGAUSSING COIL ET19	L=410/265/350mm 群鹏	321400001507
	CONVERTER CGA TO VGA	ACV-01 VER 1.0	470010000200
5S04M	GASKET	20X20X20	474400000300
T10A	WIRE ASS'Y 012379	XHP2-10 1007#26 L=255mm	531000200700
V501D	WIRE ASSY 1015#22	SGF-STO L=170/110+SLEEVE	531000203300
W204	WIRE ASS'Y 012378	DSUB9-10 2651#28 L=305mm	531000900500
W202	WIRE ASSY L=1800mm	15P/2.54mm-8P 1007#22	531001500100
W201	SIGNAL CABLE	DSUB 15P-15P L=500mm	531310400200
W203	SIGNAL CABLE 1830mm HP	DSUB-9PX2 PE0145	531311800900
V501CA,V501CC	CABLE TIE PLT1M	L=100mm 7130K12	532000001000
V501A	CRT GROUNDING WIRE	0.12/64 1015#22 ET 19	710103300201
	ET19 NEW M/B RIVET ASSY	ET19	571909303000D
	ET17/19 CRT BOARD ASSY	ET17/19	571909304000A
	ET19 CPT CRT iTOUCH ASSY	ET19	571909402000A
	IT SERIAL CONTROL BD	351077-000	581512302001A
6F12	MINI BEZEL	ET19(NEW)	710103300201
6F08S	KNOB	ET17 ATRONIC	711102000101
6F08R	PCB SUPPORT R0180L2000	PINGOOD SCB-5 (ET1)	711901900101
T10B	MOVABLE TIE	PINGOOD (BST-6A)	712100800101
6F01,6F02	TOP/BOTTOM CHASSIS	GAME 19	720112300102
6F10	BRACKET	REAR (ELO) 15	720114500102
6F06	BRANCE ANGLE LEFT	(ELO) ET19C	720114800101
6F07	BRANCE ANGLE RIGHT	ET19C	720114900101
6F05	BRACKET	MAIN BOARD ET1 (ELO)	720115100202
6F08	BRACKET	ET19 CONTROL BRACKET	720131200101
6F03,6F04	BRANCE	ET19 REVISION	720133500202
V501P	CAUTION LABEL	25KV	740202400101
6B01M	HI POT LABEL		740202700101
	WARNING LABEL	D.I FOR CARTON (ELO)	740203200101
V501Q	CRT LABEL	FOR CPT ASAHI	740402400101
6F08T	VR LABEL	ET1 KNOB	740402900101
	BLANK B/C LABEL	T=0.05 76X57.6	741200700101
	RIBBON	RICOH B-110A 110mmX300M	741300200101
6F07T	RUBBER PAD	ET1	760201600101
	WIPER BLADE EXTRUEDE	ELO 700307	760400100101
5S05M,5S06M, 6F05M,6F06M, 6F07M,6F10M	SCREW	CPMSP 4.0X8 Zn	771177050101
6F12M	SCREW	CPMSP M4.0X10 Zn-Cc	771177060201
6F03M,6F04M	SCREW	CPMSP M6X8 Zn	771179050101
6F08M,6F08P, 6F08Q	SCREW	CPTSPB 3.0x8 Zn-Cc	771376050201
W204M	SCREW R0313L41C	IOHMF 4-40 Ni	775106050301

6F12N	SCREW	IOHM M4X10+M6X15 Zn	775117060101
6F12P	WASHER	15X10.5X6.1	791200030101
1P21	PE BAG	900x500x440x0.03t	810202500101
1P23	PE FOAM BAG (S)	ELO I-TOUCH 200X250X1t	810204600101
1P11B	DRIER SILICA GEL	ELO 15 (40g)	810400300101
1P01	EPE FOAM (L)	ET19	810701700101
1P02	EPE FOAM (R)	ET19	810701800101
1P22	ZIP BAG R0273A14	210X295X0.04t	811200400101
1P11	CARTON	ET19	820105700101
V501E,V501F	TAPE MYLAR	3M#898 19mmX50M	820300400101
6F12Q	BEZ-GASKET	ET17/19/21	820305100101
	END UNIT LABEL	(INNE)	820600500101
	BLANK LABEL	(50X35)	820604200101
	BLANK BARCODE LABEL	ELO 100X100	820606200101
	GLUE HOT MELT CLEARSTICK	ELO (160108)	830100300101
	LOCTITE	ELO (262)	830100400101
6F12	FLUOROSYL 998307	FSD2500-16 ELO	830200300101
571909402000A (ET19 CPT CRT iTOUCH ASSY)			
CIRCUITREF	DESCRIPTION		PART NO.
V501	CRT 0.25mm CPT	M46AJM53X76(EL) (Asahi)	411902501504
V501E	ALU TAPE	3cmX20cm ELECTRIC	474363002000
	WIRE ASSY	ELO 012525 ET19	531001201800
	ADHESIVE DOUBLE TAPE	ELO W=3.14mm L=33M/R	820303300101
	GEL	602-GEL ELO 10ml	830100200301
	UV GLUE	Elo (6-20288)	830101400101
	UV INK 160173	ELO (M16979-05-N) 700g	830200100101

ET1987C-4SWA-1-VLC

CIRCUITREF	DESCRIPTION		PART NO.
V501B	DEGAUSSING COIL ET19	L=410/265/350mm 群鹏	321400001507
5S04M	GASKET	20X20X20	474400000300
W201	WIRE ASSY ET19-VLC	SINGAL-POWER CABLE	531000006600
T10A	WIRE ASS'Y 012379	XHP2-10 1007#26 L=255mm	531000200700
V501D	WIRE ASSY 1015#22	SGF-STO L=170/110+SLEEVE	531000203300
V501CA,V501CC	CABLE TIE PLT1M	L=100mm 7130K12	532000001000
V501A	CRT GROUNDING WIRE	0.12/64 1015#22 ET19	532500005600
	ET19 NEW M/B RIVET ASSY	ET19	571909303000D
	ET17/19 CRT BOARD ASSY	ET17/19	571909304000A
	ET19 CPT IT ROTATE 180°	ET19 CPT CRT iTOUCH ASSY	571909402000M
	IT SERIAL CONTROL BD	351077-000	581512302001A
6F12	MINI BEZEL	ET19(NEW)	710103300201
6F08S	KNOB	ET17 ATRONIC	711102000101
6F08N,6F08R	PCB SUPPORT R0180L2000	PINGOOD SCB-5 (ET1)	711901900101
T10B	MOVABLE TIE	PINGOOD (BST-6A)	712100800101
6F10	BRACKET	REAR (ELO) 15	720114500102
6F06	BRANCE ANGLE LEFT	(ELO) ET19C	720114800101
6F07	BRANCE ANGLE RIGHT	ET19C	720114900101
6F05	BRACKET	MAIN BOARD ET1 (ELO)	720115100202
6F08	BRACKET	CONTROLLER ET1 (ELO)	720115200201
6F03,6F04	BRANCE	ET19 REVISION	720133500202
6F01,6F02	TOP CHASSIS	ET19-VLC	720133600101
6F04A	MOLEX-METAL RIGHT	ET19-VLC	720133700101
6F22	FENCE	OSD ET1	720139800101
V501P	CAUTION LABEL	25KV	740202400101
6B01M	HI POT LABEL		740202700101
	WARNING LABEL	D.I FOR CARTON (ELO)	740203200101
V501Q	CRT LABEL	FOR CPT ASAHI	740402400101
6F08T	VR LABEL	ET1 KNOB	740402900101
	BLANK B/C LABEL	T=0.05 76X57.6	741200700101
	RIBBON	RICOH B-110A 110mmX300M	741300200101
6F07T	RUBBER PAD	ET1	760201600101
	WIPER BLADE EXTRUEDE	ELO 700307	760400100101
6F22A	SCREW	CPMSP M3.0x6 Zn-Cc	771176040201
5S05M,5S06M, 6F05M,6F06M, 6F07M,6F10M	SCREW	CPMSP 4.0X8 Zn	771177050101
6F12M	SCREW	CPMSP M4.0X10 Zn-Cc	771177060201
6F03M,6F04M	SCREW	CPMSP M6X8 Zn	771179050101
6F04B,6F08M, 6F08P,6F08Q	SCREW	CPTSPB 3.0x8 Zn-Cc	771376050201
W202P	SCREW	BPM 4-40-3/16 Zn DB9	771703230301
6F12N	SCREW	IOHM M4X10+M6X15 Zn	775117060101
6F12P	WASHER	15X10.5X6.1	791200030101

1P21	PE BAG	900x500x440x0.03t	810202500101
1P11B	DRIER SILICA GEL	ELO 15 (40g)	810400300101
1P01	EPE FOAM (L)	ET19 VLC	810706500101
1P02	EPE FOAM (R)	ET19 VLC	810706600101
1P22	ZIP BAG R0273A14	210X295X0.04t	811200400101
1P11	CARTON	ET19F ELO	820109300101
V501E,V501F	TAPE MYLAR	3M#898 19mmX50M	820300400101
6F12Q	BEZ-GASKET	ET17/19/21	820305100101
	END UNIT LABEL	(INNE)	820600500101
	BLANK LABEL	(50X35)	820604200101
	BLANK LABEL	(50X35)	820604200101
	BLANK BARCODE LABEL	ELO 100X100	820606200101
1P06	PALLET	WOODEN 1145X1210X120mm	821601800101
	GLUE HOT MELT CLEARSTICK	ELO (160108)	830100300101
	LOCTITE	ELO (262)	830100400101
6F12	FLUOROSYL 998307	FSD2500-16 ELO	830200300101
571909402000M (ET19 CPT CRT iTOUCH ASSY)			
CIRCUITREF	DESCRIPTION		PART NO.
V501	CRT 0.25mm CPT	M46AJM53X76(EL) (Asahi)	411902501504
V501E	ALU TAPE	3cmX20cm ELECTRIC	474363002000
	WIRE ASSY	ELO 012525 ET19	531001201800
	ET19 CPT IT ROTATE 180°	ET19 CPT CRT iTOUCH ASSY	571909402000M
	ADHESIVE DOUBLE TAPE	ELO W=3.14mm L=33M/R	820303300101
	GEL	602-GEL ELO 10ml	830100200301
	UV GLUE	Elo (6-20288)	830101400101
	UV INK 160173	ELO (M16979-05-N) 700g	830200100101

ET1945C-4SWE-1			
CIRCUITREF	DESCRIPTION		PART NO.
V501B	DEGAUSSING COIL ET19	L=410/265/350mm 群鵬	321400001507
5S04M	GASKET	20X20X20	474400000300
T10A	WIRE ASS'Y 012379	XHP2-10 1007#26 L=255mm	531000200700
V501D	WIRE ASSY 1015#22	SGF-STO L=170/110+SLEEVE	531000203300
W204	WIRE ASS'Y 012378	DSUB9-10 2651#28 L=305mm	531000900500
W201	SIGNAL CABLE 6715008201	DSUB-15PX2 1830mm HP	531311800800
W203	SIGNAL CABLE 1830mm HP	DSUB-9PX2 PE0145	531311800900
V501CA, V501CC	CABLE TIE PLT1M	L=100mm 7130K12	532000001000
V501A	CRT GROUNDING WIRE	0.12/64 1015#22 ET19	532500005600
W001	AC POWER CORD 918850-000	1.5M BK UL MTW UNSHIELD	533000120500
W002	AC POWER CORD D57513-000	1.5M BK VDE MTW UNSHIELD	533000320800
	ET19 NEW M/B RIVET ASSY	ET19	571909303000D
	ET17/19 CRT BOARD ASSY	ET17/19	571909304000A
	ET19 CPT CRT ITOUCH ASSY	ET19	571909402000A
	IT SERIAL CONTROL BD	351077-000	581512302001A
6F12	MINI BEZEL	ET19(NEW)	710103300201
6F22	SQUARE BEZEL	ET1945C F45987-000	710103200101
6F08S	KNOB	ET17 ATRONIC	711102000101
6F08N,6F08R	PCB SUPPORT R0180L2000	PINGOOD SCB-5 (ET1)	711901900101
6F18F	PLASTIC WASHER	W8X4.1X2t	712001600101
T10B	MOVABLE TIE	PINGOOD (BST-6A)	712100800101
6F18D	SNAP CLIP	SN-01G	712301500101
6F18E	SNAP CLIP	SN-01GB	712301600101
6F01,6F02	TOP/BOTTOM CHASSIS	GAME 19	720112300102
6F10	BRACKET	REAR (ELO) 15	720114500102
6F06	BRANCE ANGLE LEFT	(ELO) ET19C	720114800101
6F07	BRANCE ANGLE RIGHT	ET19C	720114900101
6F08	BRACKET	CONTROLLER ET1 (ELO)	720115200201
6F13,6F14	BRACKET-ITEM 1	ET17 SD502708 ITEM 1	720132600101
6F15,6F16	BRACKET-ITEM 2	ET17 SD502708 ITEM 2	720132700101
6F03,6F04	BRANCE	ET19 REVISION	720133500202
6F17	BRACKET COVER-ITEM 3	ET19 SD502707 ITEM 3	720134300101
6F18	TOP BRACKET-ITEM 4	ET19 SD502707 ITEM 4	720134400101
6F19	MAIN BOARD COVER-ITEM 6	ET19 SD502707 ITEM 6	720134600101
6F20	BRACKET RIGHT-ITEM 7	ET19 SD502707 ITEM 7	720134700201
6F21	BRACKET LEFT -ITEM 8	ET19 SD502707 ITEM 8	720134800101
V501P	CAUTION LABEL	25KV	740202400101
6B01M	HI POT LABEL		740202700101
	WARNING LABEL	D.I FOR CARTON (ELO)	740203200101
6F10A	CAUTION LABEL	28KV	740203400101
V501Q	CRT LABEL	FOR CPT ASAHI	740402400101
6F08T	VR LABEL	ET1 KNOB	740402900101
	BLANK B/C LABEL	T=0.05 76X57.6	741200700101
	RIBBON	RICOH B-110A 110mmX300M	741300200101

6F18C	MYLAR	SR53 160X160X0.25t	750200100101
6F17B	RUBBER	GRMMT-EDGE	760301800101
	WIPER BLADE EXTRUEDE	ELO 700307	760400100101
6F18B,6F19B	SCREW	CPM M4X45 BLK	771107150401
5S05M,5S06M, 6F06M,6F07M, 6F10M,6F13A, 6F14A,6F15A, 6F16A,6F17A, 6F19A,6F20A, 6F21A	SCREW	CPMSP 4.0X8 Zn	771177050102
6F12M	SCREW	CPMSP M4.0X10 Zn-Cc	771177060201
6F18A	SCREW	CPMSP M4.0X20 Zn-Cc	771177100201
6F03M,6F04M	SCREW	CPMSP M6X8 Zn	771179050101
6F08M,6F08P, 6F08Q	SCREW	CPTSPB 3.0x8 Zn-Cc	771376050201
W204M	SCREW R0313L41C	IOHMF 4-40 Ni	775106050301
6F12N	SCREW	IOHM M4X10+M6X15 Zn	775117060101
6F12P	WASHER	15X10.5X6.1	791200030101
1P21	PE BAG	900x500x440x0.03t	810202500101
1P11B	DRIER SILICA GEL	ELO 15 (40g)	810400300101
6F19B	SPONGE	25X25X18mm	810501200101
1P01	EPE FOAM (T)	ET19 KIOSK	810707500101
1P02	EPE FOAM (B)	ET19 KIOSK	810707600101
1P22	ZIP BAG R0273A14	210X295X0.04t	811200400101
1P11	CARTON	ET1945C-4XWE-1	820110000101
V501E,V501F	TAPE MYLAR	3M#898 19mmX50M	820300400101
6F12Q	BEZ-GASKET	ET17/19/21	820305100101
	END UNIT LABEL	(INNE)	820600500101
	BLANK LABEL	(50X35)	820604200101
	BLANK BARCODE LABEL	ELO 100X100	820606200101
2P03	QUICK START GUIDE	ET15/17/19 KIOSK	821104400101
2P02	GUIDE TOOLS CD	ELO REV.J	821500101101
1P06	PALLET	WOODEN 1145X1310X130mm	821601200102
	GLUE HOT MELT CLEARSTICK	ELO (160108)	830100300101
	LOCTITE	ELO (262)	830100400101
6F17C	GLUE	CHEMITSEAL Q-706T	830101600101
6F12	FLUOROSYL 998307	FSD2500-16 ELO	830200300101

571909402000A (ET19 CPT CRT iTOUCH ASSY)

CIRCUITREF	DESCRIPTION		PART NO.
V501	CRT 0.25mm CPT	M46AJM53X76(EL) (Asahi)	411902501504
V501E	ALU TAPE	3cmX20cm ELECTRIC	474363002000
	WIRE ASSY	ELO 012525 ET19	531001201800
	ADHESIVE DOUBLE TAPE	ELO W=3.14mm L=33M/R	820303300101
	GEL	602-GEL ELO 10ml	830100200301
	UV GLUE	Elo (6-20288)	830101400101
	UV INK 160173	ELO (M16979-05-N) 700g	830200100101

ET1945C-4UWE-1			
CIRCUITREF	DESCRIPTION		PART NO.
V501B	DEGAUSSING COIL ET19	L=410/265/350mm 群鵬	321400001507
	CONTROLLER IT USB	ELO 714259-000	474000000400
5S04M	GASKET	20X20X20	474400000300
T10A	WIRE ASS'Y 012379	XHP2-10 1007#26 L=255mm	531000200700
V501D	WIRE ASSY 1015#22	SGF-STO L=170/110+SLEEVE	531000203300
W204	SIGNAL CABLE 012572	USB CABLE B-B 380mm BK	531300300200
W201	SIGNAL CABLE 6715008201	DSUB-15PX2 1830mm HP	531311800800
W203	SIGNAL CABLE CORE 012571	USB CABLE A-B 1830mm HP	531311802200
V501CA, V501CC V501A	CABLE TIE PLT1M	L=100mm 7130K12	532000001000
W001	CRT GROUNDING WIRE	0.12/64 1015#22 ET19	532500005600
W002	AC POWER CORD 918850-000	1.5M BK UL MTW UNSHIELD	533000120500
	POWER CORD D57513-000	0.5M BK VDE MTW UNSHIEL	533000320800
	ET19 NEW M/B RIVET ASSY	ET19	571909303000D
	ET17/19 CRT BOARD ASSY	ET17/19	571909304000A
	ET19 CPT CRT ITOUCH ASSY	ET19	571909402000A
6F12	MINI BEZEL	ET19(NEW)	710103300201
6F22	SQUARE BEZEL	ET1945C F45987-000	710103200101
6F08S	KNOB	ET17 ATRONIC	711102000101
6F08N,6F08R	PCB SUPPORT R0180L2000	PINGOOD SCB-5 (ET1)	711901900101
6F18F	PLASTIC WASHER	W8X4.1X2t	712001600101
T10B	MOVABLE TIE	PINGOOD (BST-6A)	712100800101
6F18D	SNAP CLIP	SN-01G	712301500101
6F18E	SNAP CLIP	SN-01GB	712301600101
6F01,6F02	TOP/BOTTOM CHASSIS	GAME 19	720112300102
6F10	BRACKET	REAR (ELO) 15	720114500102
6F06	BRANCE ANGLE LEFT	(ELO) ET19C	720114800101
6F07	BRANCE ANGLE RIGHT	ET19C	720114900101
6F08	BRACKET	CONTROLLER ET1 (ELO)	720115200201
6F13,6F14	BRACKET-ITEM 1	ET17 SD502708 ITEM 1	720132600101
6F15,6F16	BRACKET-ITEM 2	ET17 SD502708 ITEM 2	720132700101
6F03,6F04	BRANCE	ET19 REVISION	720133500202
6F17	BRACKET COVER-ITEM 3	ET19 SD502707 ITEM 3	720134300101
6F18	TOP BRACKET-ITEM 4	ET19 SD502707 ITEM 4	720134400101
6F19	MAIN BOARD COVER-ITEM 6	ET19 SD502707 ITEM 6	720134600101
6F20	BRACKET RIGHT-ITEM 7	ET19 SD502707 ITEM 7	720134700201
6F21	BRACKET LEFT -ITEM 8	ET19 SD502707 ITEM 8	720134800101
V501P	CAUTION LABEL	25KV	740202400101
6B01M	HI POT LABEL		740202700101
	WARNING LABEL	D.I FOR CARTON (ELO)	740203200101
6F10A	CAUTION LABEL	28KV	740203400101
V501Q	CRT LABEL	FOR CPT ASAHI	740402400101
6F08T	VR LABEL	ET1 KNOB	740402900101
	BLANK B/C LABEL	T=0.05 76X57.6	741200700101
	RIBBON	RICOH B-110A 110mmX300M	741300200101

6F18C	MYLAR	SR53 160X160X0.25t	750200100101
6F17B	RUBBER	GRMMT-EDGE	760301800101
	WIPER BLADE EXTRUEDE	ELO 700307	760400100101
6F18B,6F19B	SCREW	CPM M4X45 BLK	771107150401
W204M	SCREW	CPMSP 3X10 Ni	771176060301
5S05M,5S06M,	SCREW	CPMSP 4.0X8 Zn	771177050102
6F06M,6F07M,			
6F10M,6F13A,			
6F14A,6F15A,			
6F16A,6F17A,			
6F19A,6F20A,			
6F21A			
6F12M	SCREW	CPMSP M4.0X10 Zn-Cc	771177060201
6F18A	SCREW	CPMSP M4.0X20 Zn-Cc	771177100201
6F03M,6F04M	SCREW	CPMSP M6X8 Zn	771179050101
6F08M,6F08P,	SCREW	CPTSPB 3.0x8 Zn-Cc	771376050201
6F08Q			
6F12N	SCREW	IOHM M4X10+M6X15 Zn	775117060101
6F12P	WASHER	15X10.5X6.1	791200030101
1P21	PE BAG	900x500x440x0.03t	810202500101
1P11B	DRIER SILICA GEL	ELO 15 (40g)	810400300101
6F19B	SPONGE	25X25X18mm	810501200101
1P01	EPE FOAM (T)	ET19 KIOSK	810707500101
1P02	EPE FOAM (B)	ET19 KIOSK	810707600101
1P22	ZIP BAG R0273A14	210X295X0.04t	811200400101
1P11	CARTON	ET1945C-4XWE-1	820110000101
V501E,V501F	TAPE MYLAR	3M#898 19mmX50M	820300400101
6F12Q	BEZ-GASKET	ET17/19/21	820305100101
	END UNIT LABEL	(INNE)	820600500101
	BLANK LABEL	(50X35)	820604200101
	BLANK BARCODE LABEL	ELO 100X100	820606200101
2P03	QUICK START GUIDE	ET15/17/19 KIOSK	821104400101
2P02	GUIDE TOOLS CD	ELO REV.J	821500101101
1P06	PALLET	WOODEN 1145X1310X130mm	821601200102
	GLUE HOT MELT CLEARSTICK	ELO (160108)	830100300101
	LOCTITE	ELO (262)	830100400101
6F17C	GLUE	CHEMITSEAL Q-706T	830101600101
6F12	FLUOROSYL 998307	FSD2500-16 ELO	830200300101

571909402000A (ET19 CPT CRT iTOUCH ASSY)

CIRCUITREF	DESCRIPTION		PART NO.
V501	CRT 0.25mm CPT	M46AJM53X76(EL) (Asahi)	411902501504
V501E	ALU TAPE	3cmX20cm ELECTRIC	474363002000
	WIRE ASSY	ELO 012525 ET19	531001201800
	ADHESIVE DOUBLE TAPE	ELO W=3.14mm L=33M/R	820303300101
	GEL	602-GEL ELO 10ml	830100200301
	UV GLUE	Elo (6-20288)	830101400101
	UV INK 160173	ELO (M16979-05-N) 700g	830200100101

ET1987C-4SCA-1-GAU

CIRCUITREF	DESCRIPTION		PART NO.
V501B	DEGAUSSING COIL ET19	L=410/265/350mm 群鵬	321400001507
	IT SERIAL CONTROLLER	iTOUCH 2500G 831930-000	474000000800
5S04M	GASKET	20X20X20	474400000300
V501D	WIRE ASSY 1015#22	SGF-STO L=170/110+SLEEVE	531000203300
T10A	WIRE ASS'Y 1007#26X2C	XHP2-10 L500mm+TUBE470mm	531000203600
W204	WIRE ASS'Y 012378	DSUB9-10 2651#28 L=305mm	531000900500
W201	SIGNAL CABLE 6715008201	DSUB-15PX2 1830mm HP	531311800800
W203	SIGNAL CABLE 1830mm HP	DSUB-9PX2 PE0145	531311800900
6F03A,6F04A	TUBE HOT-SHRINK UL/CSA	D=18X0.25mm L=40mm	531500904000
V501CA, V501CC	CABLE TIE PLT1M	L=100mm 7130K12	5320000010000
V501A	CRT GROUNDING WIRE	0.12/64 1015#22 ET19	532500000560
	ET19 NEW M/B RIVET ASSY	ET19	571909303000D
	ET17/19 CRT BOARD ASSY	ET17/19	571909304000A
	ET19 CPT CRT iTOUCH ASSY	ET19	571909402000
6F12	MINI BEZEL	ET19(NEW)	710103300201
6F08S	KNOB	E T17 ATRONIC	711102000101
6F08N,6F08R	PCB SUPPORT R0180L2000	PINGOOD SCB-5 (ET1)	711901900101
T10B	MOVABLE TIE	PINGOOD (BST-6A)	712100800101
6F10	BRACKET	REAR (ELO) 15	720114500102
6F08	BRACKET	CONTROLLER ET1 (ELO)	720115200201
6F01,6F02	TOP/BOTTOM CHASSIS	ET19 GAUSELMANN	720140000101
6F03,6F04	BRANCE	ET19 GAUSELMANN	720140100101
6F07	BRACKET SHIELD	ET19 GAUSELMANN	720140200101
6F05	BRACKET MAIN BOARD	ET19 GAUSELMANN	720140300101
6F06	BRANCE ANGLE LEFT	ET19 GAUSELMANN	720140400101
V501P	CAUTION LABEL	25KV	740202400101
6B01M	HI POT LABEL		740202700101
	WARNING LABEL	D.I FOR CARTON (ELO)	740203200101
6F10A	CAUTION LABEL	28KV	740203400101
V501Q	CRT LABEL	FOR CPT ASAHI	740402400101
6F08T	VR LABEL	ET1 KNOB	740402900101
	BLANK B/C LABEL	T=0.05 76X57.6	741200700101
	RIBBON	RICOH B-110A 110mmX300M	741300200101
6F07T	RUBBER PAD	ET1	760201600101
	WIPER BLADE EXTRUEDE	ELO 700307	760400100101
5S05M,5S06M, 6F05M,6F06M, 6F07M,6F10M	SCREW	CPMSP 4.0X8 Zn	771177050101
6F12M	SCREW	CPMSP M4.0X10 Zn-Cc	771177060201
6F03M,6F04M	SCREW	CPMSP M6X8 Zn	771179050101
6F08M,6F08P, 6F08Q	SCREW	CPTSPB 3.0x8 Zn-Cc	771376050201
W204M	SCREW R0313L41C	IOHMF 4-40 Ni	775106050301
6F12N	SCREW	IOHM M4X10+M6X15 Zn	775117060101

6F12P	WASHER	15X10.5X6.1	791200030101
1P21	PE BAG	900x500x440x0.03t	810202500101
1P11B	DRIER SILICA GEL	ELO 15 (40g)	810400300101
1P01	EPE FOAM (T)	ET19 GAUSELMANN	810708500101
1P02	EPE FOAM (B)	ET19 GAUSELMANN	810708600101
1P22	ZIP BAG R0273A14	210X295X0.04t	811200400101
1P11	CARTON	ET1745C-4XWE-1	820109800101
V501E,V501F	TAPE MYLAR	3M#898 19mmX50M	820300400101
6F12Q	BEZ-GASKET	ET17/19/21	820305100101
	END UNIT LABEL	(INNE)	820600500101
	BLANK LABEL	(50X35)	820604200101
	BLANK BARCODE LABEL	ELO 100X100	820606200101
1P06	PALLET	WOODEN 1120X1160X130mm	821601900101
	GLUE HOT MELT CLEARSTICK	ELO (160108)	830100300101
	LOCTITE	ELO (262)	830100400101
6F12	FLUOROSYL 998307	FSD2500-16 ELO	830200300101
571909402000A (ET19 CPT CRT iTOUCH ASSY)			
CIRCUITREF	DESCRIPTION		PART NO.
V501	CRT 0.25mm CPT	M46AJM53X76(EL) (Asahi)	411902501504
V501E	ALU TAPE	3cmX20cm ELECTRIC	474363002000
	WIRE ASSY	ELO 012525 ET19	531001201800
	ADHESIVE DOUBLE TAPE	ELO W=3.14mm L=33M/R	820303300101
	GEL	602-GEL ELO 10ml	830100200301
	UV GLUE	Elo (6-20288)	830101400101
	UV INK 160173	ELO (M16979-05-N) 700g	830200100101

ET1987C-4SWA-1-2500G-SED

CIRCUITREF	DESCRIPTION		PART NO.
V501B	DEGAUSSING COIL ET19	L=410/265/350mm 群鵬	321400001507
	IT SERIAL CONTROLLER	iTOUCH 2500G 831930-000	474000000800
5S04M	GASKET	20X20X20	474400000300
T10A	WIRE ASS'Y 012379	XHP2-10 1007#26 L=255mm	531000200700
V501D	WIRE ASSY 1015#22	SGF-STO L=170/110+SLEEVE	531000203300
W204	WIRE ASS'Y 012378	DSUB9-10 2651#28 L=305mm	531000900500
W201	SIGNAL CABLE 6715008201	DSUB-15PX2 1830mm HP	531311800800
W203	SIGNAL CABLE 1830mm HP	DSUB-9PX2 PE0145	531311800900
V501CA, V501CC	CABLE TIE PLT1M	L=100mm 7130K12	532000001000
V501A	CRT GROUNDING WIRE	0.12/64 1015#22 ET19	532500005600
	ET19 NEW M/B RIVET ASSY	ET19	571909303000D
	ET17/19 CRT BOARD ASSY	ET17/19	571909304000A
	ET19 CPT CRT iTOUCH ASSY	ET19	571909402000A
6F12	MINI BEZEL	ET19(NEW)	710103300201
6F08S	KNOB	ET17 ATRONIC	711102000101
6F08N,6F08R	PCB SUPPORT R0180L2000	PINGOOD SCB-5 (ET1)	711901900101
T10B	MOVABLE TIE	PINGOOD (BST-6A)	712100800101
6F01,6F02	TOP/BOTTOM CHASSIS	GAME 19	720112300102
6F10	BRACKET	REAR (ELO) 15	720114500102
6F06	BRANCE ANGLE LEFT	(ELO) ET19C	720114800101
6F07	BRANCE ANGLE RIGHT	ET19C	720114900101
6F05	BRACKET	MAIN BOARD ET1 (ELO)	720115100202
6F08	BRACKET	CONTROLLER ET1 (ELO)	720115200201
6F03,6F04	BRANCE	ET19 REVISION	720133500202
6F22	FENCE	OSD ET1	720139800101
V501P	CAUTION LABEL	25KV	740202400101
6B01M	HI POT LABEL		740202700101
	WARNING LABEL	D.I FOR CARTON (ELO)	740203200101
V501Q	CRT LABEL	FOR CPT ASAHI	740402400101
6F08T	VR LABEL	ET1 KNOB	740402900101
	BLANK B/C LABEL	T=0.05 76X57.6	741200700101
	RIBBON	RICOH B-110A 110mmX300M	741300200101
6F07T	RUBBER PAD	ET1	760201600101
	WIPER BLADE EXTRUEDE	ELO 700307	760400100101
6F22A	SCREW	CPMSP M3.0x6 Zn-Cc	771176040201
5S05M,5S06M, 6F05M,6F06M, 6F07M,6F10M	SCREW	CPMSP 4.0X8 Zn	771177050101
6F12M	SCREW	CPMSP M4.0X10 Zn-Cc	771177060201
6F03M,6F04M	SCREW	CPMSP M6X8 Zn	771179050101
6F08M,6F08P,6 F08Q	SCREW	CPTSPB 3.0x8 Zn-Cc	771376050201

W204M	SCREW R0313L41C	IOHMF 4-40 Ni	775106050301
6F12N	SCREW	IOHM M4X10+M6X15 Zn	775117060101
6F12P	WASHER	15X10.5X6.1	791200030101
1P21	PE BAG	900x500x440x0.03t	810202500101
1P11B	DRIER SILICA GEL	ELO 15 (40g)	810400300101
1P01	EPE FOAM (L)	ET19	810701700101
1P02	EPE FOAM (R)	ET19	810701800101
1P22	ZIP BAG R0273A14	210X295X0.04t	811200400101
1P11	CARTON	ET19	820105700101
V501E,V501F	TAPE MYLAR	3M#898 19mmX50M	820300400101
6F12Q	BEZ-GASKET	ET17/19/21	820305100101
	END UNIT LABEL	(INNE)	820600500101
	BLANK LABEL	(50X35)	820604200101
	BLANK BARCODE LABEL	ELO 100X100	820606200101
2P03	QUICK START GUIDE	ET1	821103400103
2P02	GUIDE TOOLS CD	ELO REV.J	821500101101
1P06	PALLET	WOODEN 1145X1130X130mm	821601600101
	GLUE HOT MELT CLEARSTICK	ELO (160108)	830100300101
	LOCTITE	ELO (262)	830100400101
6F12	FLUOROSYL 998307	FSD2500-16 ELO	830200300101
571909402000A (ET19 CPT CRT iTOUCH ASSY)			
CIRCUITREF	DESCRIPTION		PART NO.
V501	CRT 0.25mm CPT	M46AJM53X76(EL) (Asahi)	411902501504
V501E	ALU TAPE	3cmX20cm ELECTRIC	474363002000
	WIRE ASSY	ELO 012525 ET19	531001201800
	ADHESIVE DOUBLE TAPE	ELO W=3.14mm L=33M/R	820303300101
	GEL	602-GEL ELO 10ml	830100200301
	UV GLUE	Elo (6-20288)	830101400101
	UV INK 160173	ELO (M16979-05-N) 700g	830200100101

ET1987C-4SWA-1-BALS , ET1987C-4SWA-1-BALU

Common Parts

571909304000A (ET17/19 CRT BOARD ASSY)

571909402000A (ET19 CPT CRT iTOUCH ASSY)

571909303000H (ET19 M/B RIVET BALLY ASS)

571909304000A (ET17/19 CRT BOARD ASSY)

CIRCUITREF	DESCRIPTION		PART NO.
R711,R712,R713,R714, R736	RES CF	1/8W 100ohm J T	211003010100
R710,R737	RES CF	1/8W 1K J(+/-5%) T	211003010200
R707,R735	RES CF	1/8W 10K J(+/-5%) T	211003010300
R708,R709,R722,R723, R724	RES CF	1/8W 220ohm J(+/-5%) T	211003022100
R729,R730,R731	RES CF	1/8W 220K J T	211003022400
R704,R705,R706	RES CF	1/8W 330ohm J T	211003033100
R726,R727,R728	RES CF	1/8W 56ohm J T	211003056000
R701,R702,R703	RES CF	1/8W 75ohm J T	211003075000
R738	RES CF	1/4W 100ohm J T	211103010100
R732,R733,R734	RES CF	1/4W 56ohm J T	211103056000
R742	RES CF	1/2W 100K J T	211203010400
R741	RES MOF	1W 3.3ohm J 12.5	212501033800
C704	CAP ELEC	100uF M 10V 105 TAPING	261201310100
C708	CAP ELEC	22uF M 10V 105 T	261201322000
C710	CAP ELEC	10uF M 50V 105 T (20%)	261205310000
C722,C727	CAP ELEC	2.2uF M 100V 105 TAPING	261208322800
C716,C717,C718	CAP ELEC	1uF M 100V 105 NK T	261328310800
C709	CAP CERAMIC	100PF K 50V Y5P T	272001310100
C705	CAP CERAMIC	220PF K 500V Y5P T	272004322100
C724	CAP CERAMIC	560PF K 500V Y5P T	272004356100
C711,C719,C720,C721, C726	CAP CERAMIC	0.01uF M 500V Z5U T	272104310300
C723	CAP CERAMIC	0.01uF M 1KV Z5U 7.5 20%	272105110300
C707,C712,C713,C714, C715,C725	CAP CERAMIC	0.1uF Z 50V Y5V T (20%)	272201310400
C701,C702,C703	CAP PLASTIC	0.022uF J 50V PEI T	281001322300
L704,L705,L706	COIL PEAKING	0.22uH K T	323053022900
D701,D702,D703,D704, D705,D706	DIODE	FDH400.TR D0-35	370503040000
D707,D708,D709,D711	DIODE	1N4148(1A/75V) T	371303107500
U701	IC	LM1269 NS	381000026905
U703	IC	LM2469TA	381100046905
U702	IC	LM2480 NS	381100048005
U704	IC	L7805CV 3	382600080510
	PCB NECK CEM-I T1.6/1oz	L82xW90mm FOR ET17 /19	441100310100
CRTA	SOCKET CRT	ISDW01S 01S44C INCHANGE	450010001700
G2	GT PIN	R=1.56mm l=13mm	452001561300

T704	GT PIN	R=2.36mm L=14mm	452002361400
T701	BASE PIN	2.5mm 7PIN R/A	452112500700
T703	BASE PIN	2.0mm 6PIN RA	453012000600
T702	BASE PIN	2.0mm 9PIN RA	453012000900
C728,K701,K702,K703, K704	SPARK GAP	1.2KV	473500312200
J702,J703,J710	JUMPER WIRE	PITCH=7.5mm	531400007500
J701,J705,R719,R720, R721	JUMPER WIRE	PITCH=10mm	531400010000
J706,J707,J708,J711	JUMPER WIRE	PITCH=12.5mm	531400012500
J704	JUMPER WIRE	PITCH=15mm	531400015000
J709	JUMPER WIRE	PITCH=20mm	531400020000
	ET17/19 CRT BOARD ASSY	ET17/19	571909304000A
5S04	VIDEO SHIELDING	GAME	720305200101
U703N	HEAT SINK	60LX24WX30.5H 13mm	730401900301
U703M	SCREW	CTTWE 3.0x8 Zn	773656050201

571909402000A (ET19 CPT CRT iTOUCH ASSY)

CIRCUITREF	DESCRIPTION		PART NO.
V501	CRT 0.25mm CPT	M46AJM53X76(EL) (Asahi)	411902501504
V501E	ALU TAPE	3cmX20cm ELECTRIC	474363002000
	WIRE ASSY	ELO 012525 ET19	531001201800
	ET19 CPT CRT iTOUCH ASSY	ET19	571909402000A
	ADHESIVE DOUBLE TAPE	ELO W=3.14mm L=33M/R	820303300101
	GEL	602-GEL ELO 10ml	830100200301
	UV GLUE	Elo (6-20288)	830101400101
	UV INK 160173	ELO (M16979-05-N) 700g	830200100101

571909303000H (ET19 M/B RIVET BALLY ASS)

CIRCUITREF	DESCRIPTION		PART NO.
R220,R502,R623	RES CF	1/8W 10ohm J T	211003010000
R134,R135,R136,R137, R146,R147,R223,R224, R225			
R104,R106,R110,R112, R117,R131,R133,R138, R207,R226,R511,R519, R522,R523,R527,R562, R563,R565,R621,R635, R638	RES CF	1/8W 1K J(+/-5%) T	211003010200
R142,R228,R310,R529, R537,R631,R807	RES CF	1/8W 10K J(+/-5%) T	211003010300
R202,R231	RES CF	1/8W 100K J T	211003010400
R229	RES CF	1/8W 10M J T	211003010600
R227	RES CF	1/8W 120K J T	211003012400
R309,R503,R508	RES CF	1/8W 13K J T	211003013300
R156,R308,R520,R526	RES CF	1/8W 1.5K J T	211003015200
R212	RES CF	1/8W 15K J T	211003015300

R219,R625	RES CF	1/8W 150K J T	211003015400
R210	RES CF	1/8W 1.8K J T	211003018200
R501,R619,R627	RES CF	1/8W 18K J T	211003018300
R540	RES CF	1/8W 180K J T	211003018400
R515	RES CF	1/8W 200K J T	211003020400
R230	RES CF	1/8W 2M J T	211003020500
R103,R111,R113,R114, R122,R123,R124,R125, R126,R127,R128,R143, R144,R200,R205,R206, R208,R222,R554	RES CF	1/8W 220ohm J(+/-5%) T	211003022100
R159,R232	RES CF	1/8W 2.2K J T	211003022200
R211	RES CF	1/8W 22K J T	211003022300
R145,R626	RES CF	1/8W 2.4K J T	211003024200
R541	RES CF	1/8W 24K J T	211003024300
R539	RES CF	1/8W 270ohm J(+/-5%) T	211003027100
R105	RES CF	1/8W 27K J T	211003027300
R516,R628	RES CF	1/8W 33K J T	211003033300
R524,R538	RES CF	1/8W 3.9K J(+/-5%) T	211003039200
R213	RES CF	1/8W 39K J T	211003039300
R632	RES CF	1/8W 390K J T	211003039400
R217	RES CF	1/8W 43K J T	211003043300
D511,R101,R102	RES CF	1/8W 470ohm J T	211003047100
R108,R109,R115,R116, R118,R119,R120,R121, R129,R130,R132,R517, R560,R561,R568,R569	RES CF	1/8W 4.7K J(+/-5%) T	211003047200
R218,R802	RES CF	1/8W 47K J T	211003047300
R209,R311	RES CF	1/8W 5.6K J T	211003056200
R203	RES CF	1/8W 56K J T	211003056300
R158,R521	RES CF	1/8W 680ohm J T	211003068100
R543,R570	RES CF	1/8W 6.8K J T	211003068200
R518	RES CF	1/8W 68K J T	211003068300
R633	RES CF	1/8W 750ohm J T	211003075100
R221	RES CF	1/8W 75K J T	211003075300
R622	RES CF	1/8W 82ohm J T	211003082000
R233	RES CF	1/8W 8.2K J T	211003082200
R507	RES CF	1/4W 100ohm J T	211103010100
R157,R204,R551	RES CF	1/4W 1K J T	211103010200
R542,R548	RES CF	1/4W 47ohm J T	211103047000
R637	RES CF	1/4W 470ohm J T	211103047100
R510	RES CF	1/4W 4.7K J T	211103047200
R201	RES CF	1/4W 680ohm J T	211103068100
R528	RES CF	1/4W 75ohm J T	211103075000
R513	RES CF	1/2W 1K J T	211203010200

R509	RES CF	1/2W 100K J T	211203010400
R601	RES CF	1/2W 1M J T	211203010500
R313	RES CF	1/2W 1ohm J T	211203010800
R641	RES CF	1/2W 180K J T	211203018400
R545	RES CF	1/2W 220ohm J T	211203022100
R304A,R305, R305A,R306, R306A,R533	RES CF	1/2W 2.2ohm J T	211203022800
R301,R303,R304	RES CF	1/2W 3.9ohm J T	211203039800
R636	RES CF	1/2W 680ohm J T	211203068100
R640	RES CF	1/2W 68K J T	211203068300
R639	RES CF	1/2W 680K J T	211203068400
R312	RES CF	1/2W 750ohm J T	211203075100
R512	RES CF	1/2W 82K J T	211203082300
R307	RES CF	1/2W 0.91ohm J T	211203091900
R505	RES HIGH	1/2W 18M T	211223018600
R571	RES MF	1/4W 1M F T	212103010500
R552	RES MOF	1W 47ohm J 12.5	212501047000
R536	RES MOF	2W 100K J(+/-5%) P:15mm	212601010400
R530	RES MOF	2W 0.1ohm J 15	212601010900
R615,R616	RES MOF	2W 68K J 15	212601068300
R514	RES MOF	3W 100ohm J 20	212701010100
R525	RES MOF	3W 18ohm J 20	212701018000
R617	RES MOF	3W 4.7K J 20	212701047200
R620	RES MOF	5W 0.22ohm J KINK P=5	212752022900
L604	RES FUSIBLE(MF)	1/4W 0.33 J T	213653033900
R504,R535	RES FUSIBLE(MF)	1W 100 J P=12.5	213671010100
R572	RES FUSIBLE(MF)	2W 120 J P=15	213681012100
VR501	VR SEMI-FIXED	B 20K M D=6 V 0.1W CF	221300020300
VR601	VR SEMI-FIXED	B 1K M D=6 H 0.1W CF	221400010200
R600	PTCR	9ohm DGC2R9R0Q27A 2PIN	231000009000
R602	NTCR	3A 5ohm SCK053	231103050800
R614	VARISTOR 1A/150V PANJIT	P6KE150A/5W DO-41	232500000000
SW5	ENCODER DC11B2021401	FORWARD FOR ET21	232600000700
C101,C104,C114	CAP ELEC	100uF M 10V 105 TAPING	261201310100
C622	CAP ELEC	220uF M 10V 105 TAPING	261201322100
C116	CAP ELEC	470uF M 10V 105 TAPING	261201347100
C217	CAP ELEC	10uF M 16V 105 T	261202310000
C612,C635	CAP ELEC	100uF M 16V 105 TAPING	261202310100
C301,C302,C626,C629	CAP ELEC	1000uF M 16V 105 +/-20%T	261202310200
C222	CAP ELEC	220uF M 16V 105 TAPING	261202322100
C106,C111,C212,C218	CAP ELEC	47uF M 16V 105 TAPING	261202347000
C628	CAP ELEC	2200uF M 25V 105 7.5	261203122200
C619	CAP ELEC	100uF M 25V 105 T	261203310100

C502	CAP ELEC	220uF M 25V 105 TAPING	261203322100
C620	CAP ELEC	47uF M 25V 105 T (20%)	261203347000
C307	CAP ELEC	220uF M 35V 105 TAPING	261204322100
C112,C113,C223,C537	CAP ELEC	10uF M 50V 105 T (20%)	261205310000
C513	CAP ELEC	1uF M 50V 105 TAPING	261205310800
C206,C216,C225,C634	CAP ELEC	2.2uF M 50V 105 TAPING	261205322800
C105	CAP ELEC	3.3uF M 50V 105 TAPING	261205333800
C505	CAP ELEC	47uF M 50V 105 TAPING	261205347000
C633	CAP ELEC	100uF M 100V 105 T	261208310100
C509	CAP ELEC	10uF M 200V 105 TAPING	261211310000
C632	CAP ELEC	100uF M 250V 105 P=7.5	261212110100
C572	CAP ELEC	0.47uF M 250V 105 T	261212347900
C611	CAP ELEC HP (25X55)	330uF M 105 400V	262204233100
C107,C108	CAP CERAMIC	22PF J 50V NPO T	271501322000
C609	CAP CERAMIC	47PF J 500V NPO T	271504347000
C121,C201,C202,C618	CAP CERAMIC	100PF K 50V Y5P T	272001310100
C120	CAP CERAMIC	1000PF K 50V Y5P T (20%)	272001310200
C227	CAP CERAMIC	220PF K 50V Y5P T	272001322100
C616	CAP CERAMIC	470PF K 50V Y5P T	272001347100
C502A	CAP CERAMIC	560PF K 50V Y5P T	272001356100
C602,C605	CAP CERAMIC	100PF K 500V Y5P T	272004310100
C531	CAP CERAMIC	220PF K 500V Y5P T	272004322100
C527	CAP CERAMIC	1000PF K 1KV Y5P T	272005310200
C614	CAP CERAMIC	150PF K 1KV Y5P T	272005315100
C540	CAP CERAMIC	220PF K 1KV Y5P T	272005322100
C532A	CAP CERAMIC	47PF K 1KV Y5P T	272005347000
C528,C533,C630	CAP CERAMIC	0.01uF M 500V Z5U T	272104310300
C503,C613	CAP CERAMIC	0.01uF M 1KV Z5U 7.5 20%	272105110300
C103,C109,C110,C115, C211,C303,C500,C500A, C501,C525,C526,C621, C623,C627	CAP CERAMIC	0.1uF Z 50V Y5V T (20%)	272201310400
C118,C547	CAP PLASTIC	0.22uF J 50V PEI 10	281001122400
C210,C213,C215,C514	CAP PLASTIC	0.001uF J 50V PEI T	281001310200
C204,C207,C305,C306, C510,C517,C522	CAP PLASTIC	0.01uF J 50V PEI T	281001310300
C209,C226,C508,C516	CAP PLASTIC	0.1uF J 50V PEI T	281001310400
C515	CAP PLASTIC	0.012uF J 50V PEI T	281001312300
C224	CAP PLASTIC	0.15uF J 50V PEI T	281001315400
C504,C617	CAP PLASTIC	0.0022uF J 50V PEI T	281001322200
C539,C541,C801	CAP PLASTIC	0.022uF J 50V PEI T	281001322300
C518	CAP PLASTIC	0.0033uF J 50V PEI T	281001333200
C102,R140	CAP PLASTIC	0.0047uF J 50V PEI T	281001347200
C308	CAP PLASTIC	0.0068uF J 50V PEI T	281001368200
C530,C532	CAP PLASTIC	0.082uF J 50V PEI T	281001382300

C205	CAP PLASTIC	820PF J 100V PPN T	281201382100
C507	CAP PLASTIC	0.0039uF J 630V PPN 10	281204139200
C506	CAP PLASTIC	0.0062uF J 1.6KV PPS 25	281308162200
C523	CAP PLASTIC	0.00022uF 2KV PPS J 15	281309122100
C524	CAP PLASTIC	0.033uF J 250V MEF 10	281405133300
C220	CAP PLASTIC	0.15uF J 63V MEB T	281502315400
C203,C304,C512	CAP PLASTIC	0.22uF J 63V MEB T (5%)	281502322400
C219	CAP PLASTIC	0.47uF J 63V MEB T	281502347400
C538	CAP PLASTIC	1.2uF J 250V MPP 20	281602112500
C535	CAP PLASTIC	0.22uF J 250V MPP 15	281602122400
C536	CAP PLASTIC	0.39uF J 250V MPP 20	281602139400
C534	CAP PLASTIC	0.43uF J 400V MPP 20	281603143400
C601	CAP X	0.22uF AC 250V/300V 22.5	291000022400
C610,C615	CAP Y1	4700PF AC 250V (AH)	291250047200
L505	LINEARITY COIL	0A 6uH ET19	321000002300
L507	COIL CHOKE	17uH	321200001300
L510	COIL CHOKE	3mH	321200003500
L602	AC LINE FILTER	35mH	321300100700
G2B	CORE	1-T-20x10x10-EM2	321500002300
L608	COIL BEAD	6mmX10mm	321503000400
J05,L102,L501,L502, L603,L606,L609,L610, L612	COIL BEAD	3.5mmX6mm	321503001000
J28,J28A,L503	CORE BEAD	3.5X9X0.8	321503001300
L601,L601A	CORE RING	35uH	321700001000
D202	COIL PEAKING	10uH K T (EC24)	323053010000
T601	TRANSFORMER	POWER UD1	331000002000
T501	TRANSFORMER	FBT ET17	331100002300
T503	TRANSFORMER	COUPLING	331250000700
T504	TRANSFORMER	FOCUS ET	331250000800
T502	TRANSFORMER H-DRIVER	L:53uH+/-20%,LK:160uH	331300000800
Q608	TRANSISTOR	2SA673AC	361103067300
Q201,Q503,Q506,Q515	TRANSISTOR	2SA733P	361103073300
Q610,Q611	TRANSISTOR	2SA1020Y T	361103102000
Q508	TRANSISTOR	2SC5387(HFE)	361300538700
Q101,Q202,Q203,Q204, Q504,Q511,Q514,Q523, Q524,Q525,Q527,Q603, Q606,Q607	TRANSISTOR TAPING	H945P / C945P	361303094500
Q609	TRANSISTOR	2SC1213AC T	361303121300
Q507	TRANSISTOR	2SK941	361500094100
Q501	TRANSISTOR	SSS6N60A	361550066000
Q602	TRANSISTOR	SSS7N80A	361550078000
Q513	TRANSISTOR	BF420 T	361603042000
Q502	TRANSISTOR	BF423 T	361603042300

Q517,Q518	TRANSISTOR	IRFS640A	361700064000
Q516	TRS. N-MOSFET FAIRCHILD	IRFS740B 10A/400V TO220F	361700074000
D502,D508	DIODE UF4005G JIT	1A/600V 50-75ns T	371203100600
D619,D619B	DIODE UF4007 JIT	1A/1000V 50-75ns T	371213101000
D101,D102,D204,D503, D505,D507,D512,D610, D613,D618	DIODE	1N4148(1A/75V) T	371303107500
D509	DIODE (2A/400V)	UGP20G/SF20GG KINK P=20	371721200400
Q509	DIODE	BY329X-1500S 5A/1500V	371960501504
D201,D513,D612,D801	DIODE 1A/100V T	FR102/PR1002	372153100100
D516,D611	DIODE 1A/400V T	FR104/PR1004	372153100400
D609	DIODE 1A/600V T	PR1005	372153100600
D301	DIODE 1A/1KV T	FR107/PR1007	372153101000
D617	DIODE	HER304 3A/300V KINK P=20	372201300325
D615	DIODE	HER305 3A/400V KINK P=20	372201300425
D621	DIODE 3A/800V KINK P=20	UF3006	372201300824
D622	DIODE 3A/1KV KINK P=20	UF3007	372201301024
D517	DIODE 1A/100V T	HER102/UF1002	372203100100
D616,D624	DIODE 2A/400V T	HER205/UF2004	372203200400
D608	DIODE 2A/800V T	HER207/UF2006	372203200800
D601	DIODE BRIDGE	PBL406/KBL406(4A/800V)	373000400800
LED1	LED	D=3mm GREEN L-34GD	373502100300
D605	DIODE ZENER HITACHI	1/2W HZ4C3 DO-35 T	375003043300
D610A,R804	DIODE ZENER	1/2W HZ5C2 5.0V-5.2V T	375003053200
D510	DIODE ZENER	1/2W HZ15-2 T	375003150200
D619A	DIODE ZENER	1/2W HZ20-3 20.2-21.1 T	375003200300
D515	DIODE ZENER	1/2W HZ36-2 T	375003360200
D504	ZENER DIODE	1W Z150A 150V 10% T	375503015100
U301	IC	TDA8172 vertical process	381300017210
U201	IC	TDA9113	381400011310
U602	IC	UC3842AM 8	382500084227
U501	IC	HA17812 3	382600081201
Q505	IC	TL431	382660043144
U603	IC	LM2940 3	382700094005
U102	IC	AT24C04 8	384300040425
U103	IC	WT6804 16	384300080416
U101	OTP/MTP MCU WT62P1 79F3H	Ver1.0 ET1987C-BALLY	384900050073
RL501	RELAY 1P2T 12V JS1-12V	AJS-1311 NAIS	432001200700
RL601	RELAY	2P1T 12V FTR-F4AK012T	432002101000
	PCB MAIN CEMI-1 T1.6/1oz	246x249mm REV.01 ET15/17	441000470100
U101A	IC SOCKET	40PIN 2.54mm D=15.24	450050404000
F601A	CLIP FUSE	5X20mm t=0.4mm	450065200200
TB2	GT PIN	R=1.56mm l=13mm	452001561300

R525A	GT PIN	R=2.36mm L=20mm	452002362000
R525B	GT PIN	R=2.36mm L=20mm	452002362000
T12	BASE PIN	2.0mm 2PIN	452072000200
T10	BASE PIN	2.5mm 2PIN	452102500200
T3	BASE PIN	2.5mm 5PIN	452102500500
T8	BASE PIN	2.5mm (NARROW) 3P	452142500300
T7	BASE PIN	5-7.5mm 2PIN A1561WV2-2P	452205750200
T5	BASE PIN	8-10mm 4PIN JS-1122-4	452258100400
DOWNLOAD	PIN HEADER	2.54mm 2PINX1ROW	452802500200
T11A	PIN HEADER L=4.0mm	2.54mm 6PINX1ROW RA	452862500600
T9A	PIN HEADER L=4.0mm	2.54mm 13PINX1ROW RA	452862501300
T4A	BASE PIN	2.0mm 6PIN RA	453012000600
F601	FUSE GLASS TUBE 5TT3 BEL	3A 250V S-B 5*20 UL/CSA	471100030000
F602,J21	FUSE PICO	2A 125V F-B 251	471503020000
X101	CRYSTAL	12MHZ (HC-49/U)	473000120000
U301T	SILICON INSULATOR	TO-220 13mmX18.5mm	475000100100
Q602P	SILICON RUBBER TO-2025A	20mmX25mmx0.45mm	475000200200
Q602N	TRANSISTOR COVER	TR-09	475050000100
W502	WIRE 1500#18 BLK	SRA/ST0(SLEEVE) L=180mm	512006401800
G2	WIRE SVF1/1032#22 WHITE	L=330	523018593300
S101	WIRE ASSY	AC CONNECTOR 3PIN ELO	531000301100
T6	WIRE ASS'Y 2651#28	2mm-6/2mm-6 L=240mm	531000601200
T4	WIRE ASS'Y 2651#28X6C	6P-6P(3,4 CROSS)L=1000mm	531000601900
T2	WIRE ASSY L=330mm	2mm-9/2mm-9 2651#28+CORE	531000900900
W202	SIGNAL CABLE UL20279X13C	DSUB-15/XHP-5-7 L=280mm	531310200300
T1	JUMPER WIRE	PITCH=5mm	531400005000
D803,D804,J01,J13, J15,J16,J31,J37, J38,J39,J40,J42, J43,J46,L611,R148, R149,R153,R155, R574, R803	JUMPER WIRE	PITCH=7.5mm	531400007500
J02,J06,J10,J11, J17,J18,J19,J22, J25,J26,J29,J30, J32,J33,J48,L101, L508,R613,R624	JUMPER WIRE	PITCH=10mm	531400010000
J12,J20,J23,J24, J34,J36,R301A,R302, R506,R534	JUMPER WIRE	PITCH=12.5mm	531400012500
J04,J07,J08,J09, J14,L504	JUMPER WIRE	PITCH=20mm	531400020000
R620A	TUBE HOT-SHRINK UL/CSA	D=9X0.25mm L=30mm	531509003000
G2A,G2C	CABLE TIE PLT1M	L=100mm 7130K12	532000001000
U301P	TRANSISTOR WASHER	PIN GOOD 604S	712000300101

5S01	BRACKET	BACK (ELO)	720114300103
5S05,5S06	BRACKET	FOOT (ELO)	720114400301
5S07	BRACKET	FBT (ET1)	720120500101
5S02	HEAT SINK	SIDE (L) (ELO) ET17/19	730102500101
5S03	HEAT SINK	SIDE (R) (ELO)	730102500401
Q516N	HEAT SINK	60X24X30.5 18mm	730401900101
5S02M,5S03M	SCREW	CPM 3.0x8 Zn-Cc	771106050201
S101N	SCREW	CPTTB 4X8 Zn-Cc	771317050201
5S01N,5S07M, Q516M,W202N	SCREW	CPTSPB 3.0x8 Zn-Cc	771376050201
U301M	SCREW	CPTSPB 3.0x12 Zn-Cc	771376070201
5S07N	SCREW	CTTWC 4.0x10 Zn-Cc	773457060201
5S01M,Q501M, Q508M,Q509M	SCREW	CTTWE 3.0x8 Zn	773656050201
Q602M	SCREW	CTTWE 3.0X14 Zn	773656080201
W202M	SCREW R0313L41C	IOHMF 4-40 Ni	775106050301
U301N	NUT	M3.0 3.0x0.5 Zn-Cc	780203010201
C506R,Q602R, R602R	RIVET	d1.2Xd1.6Xd2.9X3.0L Cr	790800010501
L601AR,L601R, L602R,Q509R	RIVET	d1.4Xd1.8Xd3.0X3.0L Cr	790800020501
D601R	RIVET	d1.6Xd2.0Xd4.0X3.0L Cr	790800030501
D621R,D622R, L505R,Q508R	RIVET	d1.6Xd2.0Xd4.0X3.0L Cr	790800030501
C611R,S601R, T501R,T601R	RIVET	d1.9Xd2.3Xd3.8X3.0L Cr	790800070501

ET1987C-4SWA-1-BALS

CIRCUITREF	DESCRIPTION		PART NO.
V501B	DEGAUSSING COIL ET19	L=410/265/350mm 群鹏	321400001507
JA01	JUMPER HOUSING	2PIN	451050000100
	PFC CTRL PCBA 435030-000	BALLY IT SERIAL ET	474000000600
W100	WIRE SRA 1015#22 BLK	L=60mm	511165300600
W205	WIRE ASSY ET1987C-4SWA-1	L=720/720/600mm	531000006700
V501D	WIRE ASSY 1015#22	SGF-STO L=170/110+SLEEVE	531000203300
T10A	WIRE ASS'Y 1007#26X2C	2P-4P(2.5) L=500mm	531000203700
V501CA, V501CC	CABLE TIE PLT1M	L=100mm 7130K12	532000001000
W205A	CABLE TIE PLT1M	L=100mm 7130K12	532000001000
V501A	CRT GROUNDING WIRE	0.12/64 1015#22 ET19	532500005600
	ET19 M/B RIVET BALLY ASS	ET19	571909303000H
	ET17/19 CRT BOARD ASSY	ET17/19	571909304000A
	ET19 CPT CRT iTOUCH ASSY	ET19	571909402000A
6F12	MINI BEZEL	ET19(NEW)	710103300201
6F02J	KNOB	ET17 ATRONIC	711102000101
6F02N	PCB SUPPORT R0180L2000	PINGOOD SCB-5 (ET1)	711901900101
6F02I	PLASTIC WASHER	W8X4.1X1.0t	712001700101
T10B	MOVABLE TIE	PINGOOD (BST-6A)	712100800101
6F03R	MOUNTING PURSE LOCK	PINGOOD AB-16	712301200101
6F02G	SNAP CLIP	SN-01G	712301500101
6F02H	SNAP CLIP	SN-01GB	712301600101
6F04	BRACKET SK0558	BALLY SLANT HANDLE	720129500101
6F05	BRACKET	BALLY SLANT BACK	720129600101
6F01	BRACKET	BALLY SLANT LEFT	720129700101
6F02	BRACKET	BALLY SLANT RIGHT	720129800102
6F03	BRACKET	BALLY SLANT BOTTOM	720129900102
6F07	BRACKET MAIN BOARD	ET17 ATRONIC	720139700101
6F06	BRACKET MAIN BOARD COVER	BALLY SLANT	720140500101
V501P	CAUTION LABEL	25KV	740202400101
6B01M	HI POT LABEL		740202700101
	WARNING LABEL	D.I FOR CARTON (ELO)	740203200101
6F02M	CAUTION LABEL	28KV	740203400101
V501Q	CRT LABEL	FOR CPT ASAHI	740402400101
6F02T	VR LABEL	ET1 KNOB	740402900101
	BLANK B/C LABEL	T=0.05 76X57.6	741200700101
	RIBBON	RICOH B-110A 110mmX300M	741300200101
6F02F	MYLAR BALLY SLANT	SR53 160X160X0.25t	750200300101
	WIPER BLADE EXTRUEDE	ELO 700307	760400100101
6F01A,6F02A	SCREW	CPM M6X16 Zn	771109090101
6F02D,6F03B	SCREW	CPMSP 3.0x8 Zn-Cc	771176050201
6F01C,6F02C,	SCREW	CPMSP 4.0X8 Zn	771177050101
6F05A			
6F12M	SCREW	CPMSP M4.0X10 Zn-Cc	771177060201
6F02E	SCREW	CPMSP M4X16 Zn-Cc	771177090201

6F04A	SCREW	CPMSP M6X16 Zn	771179090101
W204M	SCREW	BPM 4-40-3/16 Zn DB9	771703230301
6F02D	SCREW	CFMB M4.0X8 Ni NYLOK	772107050702
6F12N	SCREW	IOHM M4X10+M6X15 Zn	775117060101
6F07A	NUT	M3.0 3.0x0.5 Zn-Cc	780203010201
6F03A	NUT	M4.0 4.0x0.7 Zn-Cc	780204010201
6F01B,6F02B	SPACER	d12.7Xd6.8X5.1	791000040301
6F04B	SPACER	d12.7Xd6.8X6.35	791000070301
6F12P	WASHER	15X10.5X6.1	791200030101
1P21	PE BAG	1100x600x530x0.03t	810205100101
1P11B	DRIER SILICA GEL	ELO 15 (40g)	810400300101
1P01	EPE FOAM (T)	ET19 BALLY SLANT	810704800101
1P02	EPE FOAM (B)	ET19 BALLY SLANT	810704900101
1P11	CARTON	ET19F ELO	820109300101
V501E,V501F	TAPE MYLAR	3M#898 19mmX50M	820300400101
6F12Q	BEZ-GASKET	ET17/19/21	820305100101
	END UNIT LABEL	(INNE)	820600500101
	BLANK LABEL	(50X35)	820604200101
	BLANK BARCODE LABEL	ELO 100X100	820606200101
1P06	PALLET	WOODEN 1145X1210X120mm	821601800101
	GLUE HOT MELT CLEARSTICK	ELO (160108)	830100300101
	LOCTITE	ELO (262)	830100400101

ET1987C-4SWA-1-BALU

CIRCUITREF	DESCRIPTION		PART NO.
V501B	DEGAUSSING COIL ET19	L=410/265/350mm 群鵬	321400001507
JA01	JUMPER HOUSING	2PIN	451050000100
	PFC CTRL PCBA 435030-000	BALLY IT SERIAL ET	474000000600
5S04M	GASKET	20X20X20	474400000300
W100	WIRE SRA 1015#22 BLK	L=60mm	511165300600
W205	WIRE ASSY ET1987C-4SWA-1	L=720/720/600mm	531000006700
V501D	WIRE ASSY 1015#22	SGF-STO L=170/110+SLEEVE	531000203300
T10A	WIRE ASS'Y 1007#26X2C	2P-4P(2.5) L=500mm	531000203700
V501CA, V501CC	CABLE TIE PLT1M	L=100mm 7130K12	532000001000
W205A	CABLE TIE PLT1M	L=100mm 7130K12	532000001000
V501A	CRT GROUNDING WIRE	0.12/64 1015#22 ET19	532500005600
	ET19 M/B RIVET BALLY ASS	ET19	571909303000H
	ET17/19 CRT BOARD ASSY	ET17/19	571909304000A
	ET19 CPT CRT ITOUCH ASSY	ET19	571909402000A
6F12	MINI BEZEL	ET19(NEW)	710103300201A
6F02J	KNOB	ET17 ATRONIC	711102000101
6F02N	PCB SUPPORT R0180L2000	PINGOOD SCB-5 (ET1)	711901900101
T10B	MOVABLE TIE	PINGOOD (BST-6A)	712100800101
6F01R	MOUNTING PURSE LOCK	PINGOOD AB-16	712301200101
6F04	BRACKET COVER	BALLY UPRIGHT	720130000101
6F03	BRACKET TOP	BALLY UPRIGHT	720130100101
6F01	BRACKET	BALLY UPRIGHT LEFT	720130200102
6F02	BRACKET	BALLY UPRIGHT RIGHT	720130300101
6F06	BRACKET MAIN BOARD	ET17 ATRONIC	720139700101
6F05	BRACKET MAIN BOARD COVER	BALLY UPRIGHT	720140600102
V501P	CAUTION LABEL	25KV	740202400101
6B01M	HI POT LABEL		740202700101
	WARNING LABEL	D.I FOR CARTON (ELO)	740203200101
6F01M	CAUTION LABEL	28KV	740203400101
V501Q	CRT LABEL	FOR CPT ASAHI	740402400101
6F02T	VR LABEL	ET1 KNOB	740402900101
	BLANK B/C LABEL	T=0.05 76X57.6	741200700101
	RIBBON	RICOH B-110A 110mmX300M	741300200101
	WIPER BLADE EXTRUEDE	ELO 700307	760400100101
6F01B,6F02B	SCREW	CPM 5X10 Zn	771108060101
6F02C	SCREW	CPMSP 3.0x8 Zn-Cc	771176050201
6F04A	SCREW	CPMSP 4.0X8 Zn	771177050101
6F12M	SCREW	CPMSP M4.0X10 Zn-Cc	771177060201
6F01C	SCREW	CPMSP M4X16 Zn-Cc	771177090201
W204M	SCREW	BPM 4-40-3/16 Zn DB9	771703230301
6F12N	SCREW	IOHM M4X10+M6X15 Zn	775117060101
6F06A	NUT	M3.0 3.0x0.5 Zn-Cc	780203010201
6F01D	NUT	M4.0 4.0x0.7 Zn-Cc	780204010201

6F02V	POP RIVET	1/8"	790800050501
6F01A,6F02A	SPACER WASHER	d10Xd5.3X6	791000060301
6F12P	WASHER	15X10.5X6.1	791200030101
1P21	PE BAG	1100x600x530x0.03t	810205100101
1P11B	DRIER SILICA GEL	ELO 15 (40g)	810400300101
1P01	EPE FOAM (T)	ET19 BALLY UPRIGHT	810704600101
1P02	EPE FOAM (B)	ET19 BALLY UPRIGHT	810704700101
1P11	CARTON	ET19F ELO	820109300101
V501E,V501F	TAPE MYLAR	3M#898 19mmX50M	820300400101
6F12Q	BEZ-GASKET	ET17/19/21	820305100101
	END UNIT LABEL	(INNE)	820600500101
	BLANK LABEL	(50X35)	820604200101
	BLANK BARCODE LABEL	ELO 100X100	820606200101
1P06	PALLET	WOODEN 1145X1210X120mm	821601800101
	GLUE HOT MELT CLEARSTICK	ELO (160108)	830100300101
	LOCTITE	ELO (262)	830100400101
6F12	FLUOROSYL 998307	FSD2500-16 ELO	830200300101

**ET1988C-ONWA-1, ET1988C-4SWA-1, ET1988C-4SSA-1,
ET1988C-4UWA-1, ET1945C-4SWA-1**

Common Parts

571909303000F (ET19F NEW M/B RIVET ASSY)

571909304000A (ET17/19 CRT BOARD ASSY)

571909303000F (ET19F NEW M/B RIVET ASSY)

CIRCUITREF	DESCRIPTION		PART NO.
R220,R502,R623	RES CF	1/8W 10ohm J T	211003010000
R134,R135,R136,R137, R146,R147,R223,R224, R225	RES CF	1/8W 100ohm J T	211003010100
R104,R106,R110,R112, R117,R131,R133,R138, R207,R226,R511,R519, R522,R523,R527,R562, R563,R565,R621,R635, R638	RES CF	1/8W 1K J(+/-5%) T	211003010200
R142,R228,R310,R529, R537,R631,R807	RES CF	1/8W 10K J(+/-5%) T	211003010300
R202,R231	RES CF	1/8W 100K J T	211003010400
R229	RES CF	1/8W 10M J T	211003010600
R227	RES CF	1/8W 120K J T	211003012400
R309,R503,R508	RES CF	1/8W 13K J T	211003013300
R156,R308,R520,R526	RES CF	1/8W 1.5K J T	211003015200
R212	RES CF	1/8W 15K J T	211003015300
R625	RES CF	1/8W 150K J T	211003015400
R210	RES CF	1/8W 1.8K J T	211003018200
R501,R619,R627	RES CF	1/8W 18K J T	211003018300
R540	RES CF	1/8W 180K J T	211003018400
R515	RES CF	1/8W 200K J T	211003020400
R230	RES CF	1/8W 2M J T	211003020500
R103,R111,R113,R114, R122,R123,R124,R125, R126,R127,R128,R143, R144,R200,R205,R206, R208,R222,R554	RES CF	1/8W 220ohm J(+/-5%) T	211003022100
R159,R232	RES CF	1/8W 2.2K J T	211003022200
R211	RES CF	1/8W 22K J T	211003022300
R145,R626	RES CF	1/8W 2.4K J T	211003024200
R541	RES CF	1/8W 24K J T	211003024300
R539	RES CF	1/8W 270ohm J(+/-5%) T	211003027100
R105	RES CF	1/8W 27K J T	211003027300
R516,R628	RES CF	1/8W 33K J T	211003033300
R524,R538	RES CF	1/8W 3.9K J(+/-5%) T	211003039200
R213	RES CF	1/8W 39K J T	211003039300
R632	RES CF	1/8W 390K J T	211003039400
D511,R101,R102	RES CF	1/8W 470ohm J T	211003047100

R108,R109,R115,R116, R118,R119,R120,R121, R129,R130,R132,R517, R560,R561,R568,R569	RES CF	1/8W 4.7K J(+/-5%) T	211003047200
R218,R802	RES CF	1/8W 47K J T	211003047300
R209,R311	RES CF	1/8W 5.6K J T	211003056200
R203	RES CF	1/8W 56K J T	211003056300
R158,R521	RES CF	1/8W 680ohm J T	211003068100
R543,R570	RES CF	1/8W 6.8K J T	211003068200
R217,R518	RES CF	1/8W 68K J T	211003068300
R633	RES CF	1/8W 750ohm J T	211003075100
R219,R221	RES CF	1/8W 75K J T	211003075300
R622	RES CF	1/8W 82ohm J T	211003082000
R233	RES CF	1/8W 8.2K J T	211003082200
R507	RES CF	1/4W 100ohm J T	211103010100
R157,R204,R551	RES CF	1/4W 1K J T	211103010200
R542,R548	RES CF	1/4W 47ohm J T	211103047000
R637	RES CF	1/4W 470ohm J T	211103047100
R510	RES CF	1/4W 4.7K J T	211103047200
R201	RES CF	1/4W 680ohm J T	211103068100
R528	RES CF	1/4W 75ohm J T	211103075000
R513	RES CF	1/2W 1K J T	211203010200
R509	RES CF	1/2W 100K J T	211203010400
R601	RES CF	1/2W 1M J T	211203010500
R313	RES CF	1/2W 1ohm J T	211203010800
R307	RES CF	1/2W 1.1ohm J T	211203011800
R641	RES CF	1/2W 180K J T	211203018400
R545	RES CF	1/2W 220ohm J T	211203022100
R304A,R305, R305A,R306, R306A,R533	RES CF	1/2W 2.2ohm J T	211203022800
R301,R301A,R302, R303,R304	RES CF	1/2W 3.9ohm J T	211203039800
R636	RES CF	1/2W 680ohm J T	211203068100
R640	RES CF	1/2W 68K J T	211203068300
R639	RES CF	1/2W 680K J T	211203068400
R312	RES CF	1/2W 750ohm J T	211203075100
R512	RES CF	1/2W 82K J T	211203082300
R505	RES HIGH	1/2W 18M T	211223018600
R571	RES MF	1/4W 1M F T	212103010500
R552	RES MOF	1W 47ohm J 12.5	212501047000
R536	RES MOF	2W 100K J(+/-5%) P:15mm	212601010400
R530	RES MOF	2W 0.1ohm J 15	212601010900
R615,R616	RES MOF	2W 68K J 15	212601068300
R514	RES MOF	3W 100ohm J 20	212701010100
R525	RES MOF	3W 18ohm J 20	212701018000

R617	RES MOF	3W 4.7K J 20	212701047200
R620	RES MOF	5W 0.22ohm J KINK P=5	212752022900
L604	RES FUSIBLE(MF)	1/4W 0.33 J T	213653033900
R504,R535	RES FUSIBLE(MF)	1W 100 J P=12.5	213671010100
R572	RES FUSIBLE(MF)	2W 120 J P=15	213681012100
VR501	VR SEMI-FIXED	B 20K M D=6 V 0.1W CF	221300020300
VR601	VR SEMI-FIXED	B 1K M D=6 H 0.1W CF	221400010200
R600	PTCR	9ohm DGC2R9R0Q27A 2PIN	231000009000
R602	NTCR	3A 5ohm SCK053	231103050800
R614	VARISTOR 1A/150V PANJIT	P6KE150A/5W DO-41	232500000000
SW5	ENCODER DC11B2021401	FORWARD FOR ET21	232600000700
C101,C104,C114	CAP ELEC	100uF M 10V 105 TAPING	261201310100
C622	CAP ELEC	220uF M 10V 105 TAPING	261201322100
C116	CAP ELEC	470uF M 10V 105 TAPING	261201347100
C217	CAP ELEC	10uF M 16V 105 T	261202310000
C612,C635	CAP ELEC	100uF M 16V 105 TAPING	261202310100
C301,C302,C626, C629	CAP ELEC	1000uF M 16V 105 +/-20%T	261202310200
C222	CAP ELEC	220uF M 16V 105 TAPING	261202322100
C106,C111,C212, C218	CAP ELEC	47uF M 16V 105 TAPING	261202347000
C628	CAP ELEC	2200uF M 25V 105 7.5	261203122200
C619	CAP ELEC	100uF M 25V 105 T	261203310100
C502	CAP ELEC	220uF M 25V 105 TAPING	261203322100
C620	CAP ELEC	47uF M 25V 105 T (20%)	261203347000
C307	CAP ELEC	220uF M 35V 105 TAPING	261204322100
C112,C113,C223, C537	CAP ELEC	10uF M 50V 105 T (20%)	261205310000
C513	CAP ELEC	1uF M 50V 105 TAPING	261205310800
C206,C216,C225, C634	CAP ELEC	2.2uF M 50V 105 TAPING	261205322800
C105	CAP ELEC	3.3uF M 50V 105 TAPING	261205333800
C505	CAP ELEC	47uF M 50V 105 TAPING	261205347000
C633	CAP ELEC	100uF M 100V 105 T	261208310100
C509	CAP ELEC	10uF M 200V 105 TAPING	261211310000
C632	CAP ELEC	100uF M 250V 105 P=7.5	261212110100
C572	CAP ELEC	0.47uF M 250V 105 T	261212347900
C611	CAP ELEC HP (25X55)	330uF M 105 400V	262204233100
C107,C108	CAP CERAMIC	22PF J 50V NPO T	271501322000
C609	CAP CERAMIC	47PF J 500V NPO T	271504347000
C121,C201,C202, C618	CAP CERAMIC	100PF K 50V Y5P T	272001310100
C120	CAP CERAMIC	1000PF K 50V Y5P T (20%)	272001310200
C227	CAP CERAMIC	220PF K 50V Y5P T	272001322100
C616	CAP CERAMIC	470PF K 50V Y5P T	272001347100
C502A	CAP CERAMIC	560PF K 50V Y5P T	272001356100
C602,C605	CAP CERAMIC	100PF K 500V Y5P T	272004310100

C531	CAP CERAMIC	220PF K 500V Y5P T	272004322100
C527	CAP CERAMIC	1000PF K 1KV Y5P T	272005310200
C614	CAP CERAMIC	150PF K 1KV Y5P T	272005315100
C540	CAP CERAMIC	220PF K 1KV Y5P T	272005322100
C532A	CAP CERAMIC	47PF K 1KV Y5P T	272005347000
C528,C533,C630	CAP CERAMIC	0.01uF M 500V Z5U T	272104310300
C503,C613	CAP CERAMIC	0.01uF M 1KV Z5U 7.5 20%	272105110300
C103,C109,C110,C115, C211,C303,C500,C500A, C501,C525,C526,C621, C623,C627	CAP CERAMIC	0.1uF Z 50V Y5V T (20%)	272201310400
C118,C547	CAP PLASTIC	0.22uF J 50V PEI 10	281001122400
C210,213,C215,C514	CAP PLASTIC	0.001uF J 50V PEI T	281001310200
C204,C207,C305,C306, C510,C517,C522	CAP PLASTIC	0.01uF J 50V PEI T	281001310300
C209,C226,C508,C516	CAP PLASTIC	0.1uF J 50V PEI T	281001310400
C515	CAP PLASTIC	0.012uF J 50V PEI T	281001312300
C224	CAP PLASTIC	0.15uF J 50V PEI T	281001315400
C504,C617	CAP PLASTIC	0.0022uF J 50V PEI T	281001322200
C539,C541,C801	CAP PLASTIC	0.022uF J 50V PEI T	281001322300
C518	CAP PLASTIC	0.0033uF J 50V PEI T	281001333200
C102,R140	CAP PLASTIC	0.0047uF J 50V PEI T	281001347200
C308	CAP PLASTIC	0.0068uF J 50V PEI T	281001368200
C530,C532	CAP PLASTIC	0.082uF J 50V PEI T	281001382300
C205	CAP PLASTIC	820PF J 100V PPN T	281201382100
C507	CAP PLASTIC	0.0039uF J 630V PPN 10	281204139200
C506	CAP PLASTIC	0.0062uF J 1.6KV PPS 25	281308162200
C523	CAP PLASTIC	0.00022uF 2KV PPS J 15	281309122100
C524	CAP PLASTIC	0.033uF J 250V MEF 10	281405133300
C220	CAP PLASTIC	0.15uF J 63V MEB T	281502315400
C203,C304,C512	CAP PLASTIC	0.22uF J 63V MEB T (5%)	281502322400
C219	CAP PLASTIC	0.47uF J 63V MEB T	281502347400
C538	CAP PLASTIC	1.2uF J 250V MPP 20	281602112500
C535	CAP PLASTIC	0.22uF J 250V MPP 15	281602122400
C536	CAP PLASTIC	0.39uF J 250V MPP 20	281602139400
C534	CAP PLASTIC	0.33uF J 400V MPP 20	281603133400
C601	CAP X	0.22uF AC 250V/300V 22.5	291000022400
C610,C615	CAP Y1	4700PF AC 250V (AH)	291250047200
L505	LINEARITY COIL	0A 6uH ET19	321000002300
L507	COIL CHOKE	17uH	321200001300
L510	COIL CHOKE	3mH	321200003500
L602	AC LINE FILTER	35mH	321300100700
G2B	CORE	1-T-20x10x10-EM2	321500002300
L608	COIL BEAD	6mmX10mm	321503000400
J05,L102,L501,L502, L603,L606,L609,L610,	COIL BEAD	3.5mmX6mm	321503001000

L606,L609,L610,L612	CORE BEAD	3.5X9X0.8	321503001300
J28,J28A,L503	CORE RING	35uH	321700001000
L601,L601A	COIL PEAKING	10uH K T (EC24)	323053010000
D202	TRANSFORMER	POWER UD1	331000002000
T601	TRANSFORMER	FBT ET17	331100002300
T501	TRANSFORMER	FOCUS	331250000600
T504	TRANSFORMER	COUPLING	331250000700
T503	TRANSFORMER H-DRIVER	L:53uH+/-20%,LK:160uH	331300000800
T502	TRANSISTOR	2SA673AC	361103067300
Q608	TRANSISTOR	2SA733P	361103073300
Q201,Q503,Q506,Q515	TRANSISTOR	2SA1020Y T	361103102000
Q610,Q611	TRANSISTOR	2SC5387(HFE)	361300538700
Q508	TRANSISTOR TAPING	H945P / C945P	361303094500
Q101,Q202,Q203,Q204, Q504,Q511,Q514,Q523, Q524,Q525,Q527,Q603, Q606,Q607			
Q609	TRANSISTOR	2SC1213AC T	361303121300
Q507	TRANSISTOR	2SK941	361500094100
Q501	TRANSISTOR	SSS6N60A	361550066000
Q602	TRANSISTOR	SSS7N80A	361550078000
Q513	TRANSISTOR	BF420 T	361603042000
Q502	TRANSISTOR	BF423 T	361603042300
Q517,Q518	TRANSISTOR	IRFS640A	361700064000
Q516	TRS. N-MOSFET FAIRCHILD	IRFS740B 10A/400V TO220F	361700074000
D502,D508	DIODE UF4005G JIT	1A/600V 50-75ns T	371203100600
D619,D619B	DIODE UF4007 JIT	1A/1000V 50-75ns T	371213101000
D101,D102,D204,D503, D505,D507,D512,D610, D613,D618	DIODE	1N4148(1A/75V) T	371303107500
D509	DIODE (2A/400V)	UGP20G/SF20GG KINK P=20	371721200400
Q509	DIODE	BY329X-1500S 5A/1500V	371960501504
D201,D513,D612,D801	DIODE 1A/100V T	FR102/PR1002	372153100100
D516,D611	DIODE 1A/400V T	FR104/PR1004	372153100400
D609	DIODE 1A/600V T	PR1005	372153100600
D301	DIODE 1A/1KV T	FR107/PR1007	372153101000
D617	DIODE	HER304 3A/300V KINK P=20	372201300325
D615	DIODE	HER305 3A/400V KINK P=20	372201300425
D621	DIODE 3A/800V KINK P=20	UF3006	372201300824
D622	DIODE 3A/1KV KINK P=20	UF3007	372201301024
D517	DIODE 1A/100V T	HER102/UF1002	372203100100
D616,D624	DIODE 2A/400V T	HER205/UF2004	372203200400
D608	DIODE 2A/800V T	HER207/UF2006	372203200800
D601	DIODE BRIDGE	PBL406/KBL406(4A/800V)	373000400800
LED1	LED	D=3mm GREEN L-34GD	373502100300

D605	DIODE ZENER HITACHI	1/2W HZ4C3 DO-35 T	375003043300
D610A,R804	DIODE ZENER	1/2W HZ5C2 5.0V-5.2V T	375003053200
D510	DIODE ZENER	1/2W HZ15-2 T	375003150200
D619A	DIODE ZENER	1/2W HZ20-3 20.2-21.1 T	375003200300
D515	DIODE ZENER	1/2W HZ36-2 T	375003360200
D504	ZENER DIODE	1W Z150A 150V 10% T	375503015100
U301	IC	TDA8172 vertical process	381300017210
U201	IC	TDA9113	381400011310
U602	IC	UC3842AM 8	382500084227
U501	IC	HA17812 3	382600081201
Q505	IC	TL431	382660043144
U603	IC	LM2940 3	382700094005
U102	IC	AT24C04 8	384300040425
U103	IC	WT6804 16	384300080416
U101	MASK MCU ELO	UD7/TE6/ETx REV1.0	384915930116
RL501	RELAY 1P2T 12V JS1-12V	AJS-1311 NAIS	432001200700
RL601	RELAY	2P1T 12V FTR-F4AK012T	432002101000
	PCB MAIN CEMI-1 T1.6/1oz	246x249mm REV.01 ET15/17	441000470100
U101A	IC SOCKET	40PIN 2.54mm D=15.24	450050404000
F601A	CLIP FUSE	5X20mm t=0.4mm	450065200200
TB2	GT PIN	R=1.56mm l=13mm	452001561300
R525A,R525B	GT PIN	R=2.36mm L=20mm	452002362000
T12	BASE PIN	2.0mm 2PIN	452072000200
T10	BASE PIN	2.5mm 2PIN	452102500200
T3	BASE PIN	2.5mm 5PIN	452102500500
T8	BASE PIN	2.5mm (NARROW) 3P	452142500300
T7	BASE PIN	5-7.5mm 2PIN A1561WV2-2P	452205750200
T5	BASE PIN	8-10mm 4PIN JS-1122-4	452258100400
DOWNLOAD	PIN HEADER	2.54mm 2PINX1ROW	452802500200
T11A	PIN HEADER L=4.0mm	2.54mm 6PINX1ROW RA	452862500600
T9A	PIN HEADER L=4.0mm	2.54mm 13PINX1ROW RA	452862501300
T4A	BASE PIN	2.0mm 6PIN RA	453012000600
F601	FUSE GLASS TUBE 5TT3 BEL	3A 250V S-B 5*20 UL/CSA	471100030000
F602,J21	FUSE PICO	2A 125V F-B 251	471503020000
X101	CRYSTAL	12MHZ (HC-49/U)	473000120000
U301T	SILICON INSULATOR	TO-220 13mmX18.5mm	475000100100
Q602P	SILICON RUBBER TO-2025A	20mmX25mmx0.45mm	475000200200
Q602N	TRANSISTOR COVER	TR-09	475050000100
W502	WIRE 1500#18 BLK	SRA/ST0(SLEEV) L=180mm	512006401800
G2	WIRE SVF1/1032#22 WHITE	L=330	523018593300
S101	WIRE ASSY	AC CONNECTOR 3PIN ELO	531000301100
T6	WIRE ASS'Y 2651#28	2mm-6/2mm-6 L=240mm	531000601200
T4	WIRE ASS'Y 2651#28X6C	6P-6P(3,4 CROSS)L=1000mm	531000601900
T2	WIRE ASSY L=330mm	2mm-9/2mm-9 2651#28+CORE	531000900900

W202	SIGNAL CABLE UL20279X13C	DSUB-15/XHP-5-7 L=280mm	531310200300
T1	JUMPER WIRE	PITCH=5mm	531400005000
D803,D804,J01,J13, J15,J16,J31,J37,J38, J39,J40,J42,J43,J46, L611,R148,R149, R153, R155,R574, R803	JUMPER WIRE	PITCH=7.5mm	531400007500
J02,J06,J10,J11,J17, J18,J19,J22,J25,J26, J29,J30,J32,J33,J48, L101,L508,R613,R624	JUMPER WIRE	PITCH=10mm	531400010000
J12,J20,J23,J24,J34, J36,R506,R534	JUMPER WIRE	PITCH=12.5mm	531400012500
J04,J07,J08,J09, J14,L504	JUMPER WIRE	PITCH=20mm	531400020000
R620A	TUBE HOT-SHRINK UL/CSA	D=9X0.25mm L=30mm	531509003000
G2A,G2C	CABLE TIE PLT1M	L=100mm 7130K12	532000001000
	ET19F NEW M/B RIVET ASSY	ET19F	571909303000F
U301P	TRANSISTOR WASHER	PIN GOOD 604S	712000300101
5S01	BRACKET	BACK (ELO)	720114300103
5S05,5S06	BRACKET	FOOT (ELO)	720114400301
5S07	BRACKET	FBT (ET1)	720120500101
5S08	FRONT BRACKET	ET1 MAIN FRAME	720138000101
5S02	HEAT SINK	SIDE (L) (ELO) ET17/19	730102500101
5S03	HEAT SINK	SIDE (R) (ELO)	730102500401
Q516N	HEAT SINK	60X24X30.5 18mm	730401900101
5S02M,5S03M	SCREW	CPM 3.0x8 Zn-Cc	771106050201
S101N	SCREW	CPTTB 4X8 Zn-Cc	771317050201
5S01N,5S07M, 5S08M,Q516M, W202N	SCREW	CPTSPB 3.0x8 Zn-Cc	771376050201
U301M	SCREW	CPTSPB 3.0x12 Zn-Cc	771376070201
5S07N	SCREW	CTTWC 4.0x10 Zn-Cc	773457060201
5S01M,Q501M, Q508M,Q509M	SCREW	CTTWE 3.0x8 Zn	773656050201
Q602M	SCREW	CTTWE 3.0X14 Zn	773656080201
W202M	SCREW R0313L41C	IOHMF 4-40 Ni	775106050301
U301N	NUT	M3.0 3.0x0.5 Zn-Cc	780203010201
C506R,Q602R, R602R	RIVET	d1.2Xd1.6Xd2.9X3.0L Cr	790800010501
L601AR,L601R, L602R,Q509R	RIVET	d1.4Xd1.8Xd3.0X3.0L Cr	790800020501
D601R,D621R, D622R,L505R, Q508R	RIVET	d1.6Xd2.0Xd4.0X3.0L Cr	790800030501

C611R,S601R, T501R,T601R	RIVET	d1.9Xd2.3Xd3.8X3.0L Cr	790800070501
571909304000A (ET17/19 CRT BOARD ASSY)			
CIRCUITREF	DESCRIPTION		PART NO.
R711,R712,R713,R714, R736	RES CF	1/8W 100ohm J T	211003010100
R710,R737	RES CF	1/8W 1K J(+/-5%) T	211003010200
R707,R735	RES CF	1/8W 10K J(+/-5%) T	211003010300
R708,R709,R722,R723, R724	RES CF	1/8W 220ohm J(+/-5%) T	211003022100
R729,R730,R731	RES CF	1/8W 220K J T	211003022400
R704,R705,R706	RES CF	1/8W 330ohm J T	211003033100
R726,R727,R728	RES CF	1/8W 56ohm J T	211003056000
R701,R702,R703	RES CF	1/8W 75ohm J T	211003075000
R738	RES CF	1/4W 100ohm J T	211103010100
R732,R733,R734	RES CF	1/4W 56ohm J T	211103056000
R742	RES CF	1/2W 100K J T	211203010400
R741	RES MOF	1W 3.3ohm J 12.5	212501033800
C704	CAP ELEC	100uF M 10V 105 TAPING	261201310100
C708	CAP ELEC	22uF M 10V 105 T	261201322000
C710	CAP ELEC	10uF M 50V 105 T (20%)	261205310000
C722,C727	CAP ELEC	2.2uF M 100V 105 TAPING	261208322800
C716,C717,C718	CAP ELEC	1uF M 100V 105 NK T	261328310800
C709	CAP CERAMIC	100PF K 50V Y5P T	272001310100
C705	CAP CERAMIC	220PF K 500V Y5P T	272004322100
C724	CAP CERAMIC	560PF K 500V Y5P T	272004356100
C711,C719,C720,C721, C726	CAP CERAMIC	0.01uF M 500V Z5U T	272104310300
C723	CAP CERAMIC	0.01uF M 1KV Z5U 7.5 20%	272105110300
C707,C712,C713,C714, C715,C725	CAP CERAMIC	0.1uF Z 50V Y5V T (20%)	272201310400
C701,C702,C703	CAP PLASTIC	0.022uF J 50V PEI T	281001322300
L704,L705,L706	COIL PEAKING	0.22uH K T	323053022900
D701,D702,D703,D704, D705,D706	DIODE	FDH400.TR D0-35	370503040000
D707,D708,D709,D711	DIODE	1N4148(1A/75V) T	371303107500
U701	IC	LM1269 NS	381000026905
U703	IC	LM2469TA	381100046905
U702	IC	LM2480 NS	381100048005
U704	IC	L7805CV 3	382600080510
CRTA	PCB NECK CEM-I T1.6/1oz	L82xW90mm FOR ET17 /19	441100310100
G2	SOCKET CRT	ISDW01S 01S44C INCHANGE	450010001700
T704	GT PIN	R=1.56mm l=13mm	452001561300
T701	GT PIN	R=2.36mm L=14mm	452002361400
T701	BASE PIN	2.5mm 7PIN R/A	452112500700

T703	BASE PIN	2.0mm 6PIN RA	453012000600
T702	BASE PIN	2.0mm 9PIN RA	453012000900
C728,K701,K702,K703, K704	SPARK GAP	1.2KV	473500312200
J702,J703,J710	JUMPER WIRE	PITCH=7.5mm	531400007500
J701,J705,R719,R720, R721	JUMPER WIRE	PITCH=10mm	531400010000
J706,J707,J708,J711	JUMPER WIRE	PITCH=12.5mm	531400012500
J704	JUMPER WIRE	PITCH=15mm	531400015000
J709	JUMPER WIRE	PITCH=20mm	531400020000
	ET17/19 CRT BOARD ASSY	ET17/19	571909304000A
5S04	VIDEO SHIELDING	GAME	720305200101
U703N	HEAT SINK	60LX24WX30.5H 13mm	730401900301
U703M	SCREW	CTTWE 3.0x8 Zn	773656050201

ET1988C-ONWA-1			
CIRCUITREF	DESCRIPTION		PART NO.
V501B	DEGAUSSING COIL ET19	L=410/265/350mm 群鵬	321400001507
V501	CRT	M46JS53X76(EL) 19	411902501204
5S04M	GASKET	20X20X20	474400000300
V501D	WIRE ASSY 1015#22	SGF-STO L=170/110+SLEEVE	531000203300
W201	SIGNAL CABLE 6715008201	DSUB-15PX2 1830mm HP	531311800800
V501CA, V501CC	CABLE TIE PLT1M	L=100mm 7130K12	532000001000
V501A	CRT GROUNDING WIRE	0.12/64 1015#22 ET19	532500005600
	ET19F NEW M/B RIVET ASSY	ET19F	571909303000F
	ET17/19 CRT BOARD ASSY	ET17/19	571909304000A
6F08S	KNOB	ET17 ATRONIC	711102000101
6F01,6F02	TOP/BOTTOM CHASSIS	GAME 19	720112300102
6F10	BRACKET	REAR (ELO) 15	720114500102
6F06	BRANCE ANGLE LEFT	(ELO) ET19C	720114800101
6F07	BRANCE ANGLE RIGHT	ET19C	720114900101
6F05	BRACKET	MAIN BOARD ET1 (ELO)	720115100202
6F08	BRACKET	CONTROLLER ET1 (ELO)	720115200201
6F03,6F04	BRANCE	ET19 REVISION	720133500202
6F22	FENCE	OSD ET1	720139800101
V501P	CAUTION LABEL	25KV	740202400101
6B01M	HI POT LABEL		740202700101
6F08T	VR LABEL	ET1 KNOB	740402900101
	BLANK B/C LABEL	T=0.05 76X57.6	741200700101
6F07T	RUBBER PAD	ET1	760201600101
5S04N	RUBBER	CDT (REAR) 20X10X18	760501000101
6F22A	SCREW	CPMSP M3.0x6 Zn-Cc	771176040201
5S05M,5S06M, 6F05M,6F06M, 6F07M,6F10M	SCREW	CPMSP 4.0X8 Zn	771177050101
6F03M,6F04M	SCREW	CPMSP M6X8 Zn	771179050101
6F08M,6F08P, 6F08Q	SCREW	CPTSPB 3.0x8 Zn-Cc	771376050201
6F01M,6F02M	SCREW	CHTM M6X15 Zn	775119080101
1P21	PE BAG	900x500x440x0.03t	810202500101
1P11B	DRIER SILICA GEL	ELO 15 (40g)	810400300101
1P01	EPE FOAM (L)	ET19 FLAT	810701700201
1P02	EPE FOAM (R)	ET19 FLAT	810701800201
1P22	ZIP BAG R0273A14	210X295X0.04t	811200400101
1P11	CARTON	ET19F ELO	820109300101
V501E,V501F	TAPE MYLAR	3M#898 19mmX50M	820300400101
	END UNIT LABEL	(INNE)	820600500101
	BLANK LABEL	(50X35)	820604200101
	BLANK BARCODE LABEL	ELO 100X100	820606200101
2P03	QUICK START GUIDE	ET1	821103400103
2P02	GUIDE TOOLS CD	ELO REV.J	821500101101
1P06	PALLET	WOODEN 1145X1210X120mm	821601800101

ET1988C-4SWA-1			
CIRCUITREF	DESCRIPTION		PART NO.
V501B	DEGAUSSING COIL ET19	L=410/265/350mm 群鹏	321400001507
5S04M	GASKET	20X20X20	474400000300
T10A	WIRE ASS'Y 012379	XHP2-10 1007#26 L=255mm	531000200700
V501D	WIRE ASSY 1015#22	SGF-STO L=170/110+SLEEVE	531000203300
W204	WIRE ASS'Y 012378	DSUB9-10 2651#28 L=305mm	531000900500
W201	SIGNAL CABLE 6715008201	DSUB-15PX2 1830mm HP	531311800800
W203	SIGNAL CABLE 1830mm HP	DSUB-9PX2 PE0145	531311800900
V501CA, V501CC V501A	CABLE TIE PLT1M	L=100mm 7130K12	532000001000
	CRT GROUNDING WIRE	0.12/64 1015#22 ET19	532500005600
	ET19F NEW M/B RIVET ASSY	ET19F	571909303000F
	ET17/19 CRT BOARD ASSY	ET17/19	571909304000A
	ET19F CPT TF ITOUCH ASSY	ET19F	571909402000G
	IT SERIAL CONTROL BD	351077-000	581512302001A
6F11	MINI BEZEL	ELO 19 FLAT CRT	710101900101
6F08S	KNOB	ET17 ATRONIC	711102000101
6F08N,6F08R	PCB SUPPORT R0180L2000	PINGOOD SCB-5 (ET1)	711901900101
T10B	MOVABLE TIE	PINGOOD (BST-6A)	712100800101
6F01,6F02	TOP/BOTTOM CHASSIS	GAME 19	720112300102
6F10	BRACKET	REAR (ELO) 15	720114500102
6F06	BRANCE ANGLE LEFT	(ELO) ET19C	720114800101
6F07	BRANCE ANGLE RIGHT	ET19C	720114900101
6F05	BRACKET	MAIN BOARD ET1 (ELO)	720115100202
6F08	BRACKET	CONTROLLER ET1 (ELO)	720115200201
6F03,6F04	BRANCE	ET19 REVISION	720133500202
6F22	FENCE	OSD ET1	720139800101
V501P	CAUTION LABEL	25KV	740202400101
6B01M	HI POT LABEL		740202700101
	WARNING LABEL	D.I FOR CARTON (ELO)	740203200101
6F08T	VR LABEL	ET1 KNOB	740402900101
	BLANK B/C LABEL	T=0.05 76X57.6	741200700101
	RIBBON	RICOH B-110A 110mmX300M	741300200101
6F07T	RUBBER PAD	ET1	760201600101
	WIPER BLADE EXTRUEDE	ELO 700307	760400100101
5S04N	RUBBER	CDT (REAR) 20X10X18	760501000101
6F22A	SCREW	CPMSP M3.0x6 Zn-Cc	771176040201
5S05M,5S06M, 6F05M,6F06M, 6F07M,6F10M	SCREW	CPMSP 4.0X8 Zn	771177050101
6F03M,6F04M	SCREW	CPMSP M6X8 Zn	771179050101
6F11M	SCREW	CPMSP M6X14 Zn	771179080101
6F08M,6F08P, 6F08Q	SCREW	CPTSPB 3.0x8 Zn-Cc	771376050201

W204M	SCREW R0313L41C	IOHMF 4-40 Ni	775106050301
6F01R	SCREW	IOHM M6X15X15	775109170101
6F01Q	SPRING WASHER	S 6.4X14X1.2t	790900010301
1P21	PE BAG	900x500x440x0.03t	810202500101
1P11B	DRIER SILICA GEL	ELO 15 (40g)	810400300101
1P01	EPE FOAM (L)	ET19 FLAT	810701700201
1P02	EPE FOAM (R)	ET19 FLAT	810701800201
1P22	ZIP BAG R0273A14	210X295X0.04t	811200400101
1P11	CARTON	ET19F ELO	820109300101
V501E,V501F	TAPE MYLAR	3M#898 19mmX50M	820300400101
	END UNIT LABEL	(INNE)	820600500101
	BLANK LABEL	(50X35)	820604200101
	BLANK BARCODE LABEL	ELO 100X100	820606200101
2P03	QUICK START GUIDE	ET1	821103400103
2P02	GUIDE TOOLS CD	ELO REV.J	821500101101
1P06	PALLET	WOODEN 1145X1210X120mm	821601800101
	GLUE HOT MELT CLEARSTICK	ELO (160108)	830100300101
	LOCTITE	ELO (262)	830100400101
6F12	FLUOROSYL 998307	FSD2500-16 ELO	830200300101
571909402000G (ET19F CPT TF iTOUCH ASSY)			
CIRCUITREF	DESCRIPTION		PART NO.
V501	CRT	M46AJS53X76(EL) 19	411902501204
V501E	ALU TAPE	3cmX20cm ELECTRIC	474363002000
	WIRE ASSY	ELO 012525 ET19	531001201800
	ET19F CPT TF iTOUCH ASSY	ET19F	571909402000G
	ADHESIVE DOUBLE TAPE	ELO W=3.14mm L=33M/R	820303300101
	GEL	602-GEL ELO 10ml	830100200301
	UV GLUE	Elo (6-20288)	830101400101
	UV INK 160173	ELO (M16979-05-N) 700g	830200100101

ET1988C-4SSA-1			
CIRCUITREF	DESCRIPTION		PART NO.
V501B	DEGAUSSING COIL ET19	L=410/265/350mm 群鵬	321400001507
5S04M	GASKET	20X20X20	474400000300
T10A	WIRE ASS'Y 012379	XHP2-10 1007#26 L=255mm	531000200700
V501D	WIRE ASSY 1015#22	SGF-STO L=170/110+SLEEVE	531000203300
W204	WIRE ASS'Y 012378	DSUB9-10 2651#28 L=305mm	531000900500
W201	SIGNAL CABLE 6715008201	DSUB-15PX2 1830mm HP	531311800800
W203	SIGNAL CABLE 1830mm HP	DSUB-9PX2 PE0145	531311800900
V501CA, V501CC	CABLE TIE PLT1M	L=100mm 7130K12	532000001000
V501A	CRT GROUNDING WIRE	0.12/64 1015#22 ET19	532500005600
	ET19F NEW M/B RIVET ASSY	ET19F	571909303000F
	ET17/19 CRT BOARD ASSY	ET17/19	571909304000A
	ET19F CRT FLAT(R) iTOUCH	ET19F	571909402000H
	IT SERIAL CONTROL BD	351077-000	581512302001A
6F11	MINI BEZEL	ELO 19 FLAT CRT	710101900101
6F08S	KNOB	ET17 ATRONIC	711102000101
6F08N,6F08R	PCB SUPPORT R0180L2000	PINGOOD SCB-5 (ET1)	711901900101
T10B	MOVABLE TIE	PINGOOD (BST-6A)	712100800101
6F01,6F02	TOP/BOTTOM CHASSIS	GAME 19	720112300102
6F10	BRACKET	REAR (ELO) 15	720114500102
6F06	BRANCE ANGLE LEFT	(ELO) ET19C	720114800101
6F07	BRANCE ANGLE RIGHT	ET19C	720114900101
6F05	BRACKET	MAIN BOARD ET1 (ELO)	720115100202
6F08	BRACKET	CONTROLLER ET1 (ELO)	720115200201
6F03,6F04	BRANCE	ET19 REVISION	720133500202
6F22	FENCE	OSD ET1	720139800101
V501P	CAUTION LABEL	25KV	740202400101
6B01M	HI POT LABEL		740202700101
	WARNING LABEL	D.I FOR CARTON (ELO)	740203200101
6F08T	VR LABEL	ET1 KNOB	740402900101
	BLANK B/C LABEL	T=0.05 76X57.6	741200700101
	RIBBON	RICOH B-110A 110mmX300M	741300200101
6F07T	RUBBER PAD	ET1	760201600101
	WIPER BLADE EXTRUDEDE	ELO 700307	760400100101
5S04N	RUBBER	CDT (REAR) 20X10X18	760501000101
6F22A	SCREW	CPMSP M3.0x6 Zn-Cc	771176040201
5S05M,5S06M, 6F05M,6F06M, 6F07M,6F10M	SCREW	CPMSP 4.0X8 Zn	771177050101
6F03M,6F04M	SCREW	CPMSP M6X8 Zn	771179050101
6F11M	SCREW	CPMSP M6X14 Zn	771179080101
6F08M,6F08P, 6F08Q	SCREW	CPTSPB 3.0x8 Zn-Cc	771376050201
W204M	SCREW R0313L41C	IOHMF 4-40 Ni	775106050301

6F01R	SCREW	IOHM M6X15X15	775109170101
6F01Q	SPRING WASHER	S 6.4X14X1.2t	790900010301
1P21	PE BAG	900x500x440x0.03t	810202500101
1P11B	DRIER SILICA GEL	ELO 15 (40g)	810400300101
1P01	EPE FOAM (L)	ET19 FLAT	810701700201
1P02	EPE FOAM (R)	ET19 FLAT	810701800201
1P06	PALLET (ET19F)	PAPER 108X114X11.3cm	811000600101
1P22	ZIP BAG R0273A14	210X295X0.04t	811200400101
1P11	CARTON	ET19F ELO	820109300101
V501E,V501F	TAPE MYLAR	3M#898 19mmX50M	820300400101
	END UNIT LABEL	(INNE)	820600500101
	BLANK LABEL	(50X35)	820604200101
	BLANK BARCODE LABEL	ELO 100X100	820606200101
2P03	QUICK START GUIDE	ET1	821103400103
2P02	GUIDE TOOLS CD	ELO REV.J	821500101101
	GLUE HOT MELT CLEARSTICK	ELO (160108)	830100300101
	LOCTITE	ELO (262)	830100400101
6F12	FLUOROSYL 998307	FSD2500-16 ELO	830200300101
571909402000H (ET19F CRT FLAT(R) Itouch)			
CIRCUITREF	DESCRIPTION		PART NO.
V501	CRT	M46AJS53X76(EL) R 19	411902501304
V501E	ALU TAPE	3cmX20cm ELECTRIC	474363002000
	WIRE ASSY	ELO 012525 ET19	531001201800
	ADHESIVE DOUBLE TAPE	ELO W=3.14mm L=33M/R	820303300101
	GEL	602-GEL ELO 10ml	830100200301
	UV GLUE	Elo (6-20288)	830101400101
	UV INK 160173	ELO (M16979-05-N) 700g	830200100101

ET1988C-4UWA-1			
CIRCUITREF	DESCRIPTION		PART NO.
V501B	DEGAUSSING COIL ET19	L=410/265/350mm 群鵬	321400001507
	CONTROLLER IT USB	ELO 714259-000	474000000400
5S04M	GASKET	20X20X20	474400000300
T10A	WIRE ASS'Y 012379	XHP2-10 1007#26 L=255mm	531000200700
V501D	WIRE ASSY 1015#22	SGF-STO L=170/110+SLEEVE	531000203300
W204	SIGNAL CABLE 012572	USB CABLE B-B 380mm BK	531300300200
W201	SIGNAL CABLE 6715008201	DSUB-15PX2 1830mm HP	531311800800
W203	SIGNAL CABLE CORE 012571	USB CABLE A-B 1830mm HP	531311802200
V501CA, V501CC V501A	CABLE TIE PLT1M	L=100mm 7130K12	532000001000
	CRT GROUNDING WIRE	0.12/64 1015#22 ET19	532500005600
	ET19F NEW M/B RIVET ASSY	ET19F	571909303000F
	ET17/19 CRT BOARD ASSY	ET17/19	571909304000A
	ET19F CPT TF ITOUCH ASSY	ET19F	571909402000G
6F11	MINI BEZEL	ELO 19 FLAT CRT	710101900101
6F08S	KNOB	ET17 ATRONIC	711102000101
6F08N,6F08R	PCB SUPPORT R0180L2000	PINGOOD SCB-5 (ET1)	711901900101
T10B	MOVABLE TIE	PINGOOD (BST-6A)	712100800101
6F01,6F02	TOP/BOTTOM CHASSIS	GAME 19	720112300102
6F10	BRACKET	REAR (ELO) 15	720114500102
6F06	BRANCE ANGLE LEFT	(ELO) ET19C	720114800101
6F07	BRANCE ANGLE RIGHT	ET19C	720114900101
6F05	BRACKET	MAIN BOARD ET1 (ELO)	720115100202
6F08	BRACKET	CONTROLLER ET1 (ELO)	720115200201
6F03,6F04	BRANCE	ET19 REVISION	720133500202
6F22	FENCE	OSD ET1	720139800101
V501P	CAUTION LABEL	25KV	740202400101
6B01M	HI POT LABEL		740202700101
	WARNING LABEL	D.I FOR CARTON (ELO)	740203200101
6F08T	VR LABEL	ET1 KNOB	740402900101
	BLANK B/C LABEL	T=0.05 76X57.6	741200700101
	RIBBON	RICOH B-110A 110mmX300M	741300200101
6F07T	RUBBER PAD	ET1	760201600101
	WIPER BLADE EXTRUEDE	ELO 700307	760400100101
5S04N	RUBBER	CDT (REAR) 20X10X18	760501000101
6F22A	SCREW	CPMSP M3.0x6 Zn-Cc	771176040201
W204M	SCREW	CPMSP 3X10 Ni	771176060301
5S05M,5S06M, 6F05M,6F06M, 6F07M,6F10M	SCREW	CPMSP 4.0X8 Zn	771177050101
6F03M,6F04M	SCREW	CPMSP M6X8 Zn	771179050101
6F11M	SCREW	CPMSP M6X14 Zn	771179080101
6F08M,6F08P, 6F08Q	SCREW	CPTSPB 3.0x8 Zn-Cc	771376050201
6F01R	SCREW	IOHM M6X15X15	775109170101

6F01Q	SPRING WASHER	S 6.4X14X1.2t	790900010301
1P21	PE BAG	900x500x440x0.03t	810202500101
1P11B	DRIER SILICA GEL	ELO 15 (40g)	810400300101
1P01	EPE FOAM (L)	ET19 FLAT	810701700201
1P02	EPE FOAM (R)	ET19 FLAT	810701800201
1P22	ZIP BAG R0273A14	210X295X0.04t	811200400101
1P11	CARTON	ET19F ELO	820109300101
V501E	TAPE MYLAR	3M#898 19mmX50M	820300400101
V501F	TAPE MYLAR	3M#898 19mmX50M	820300400101
	END UNIT LABEL	(INNE)	820600500101
	BLANK LABEL	(50X35)	820604200101
	BLANK BARCODE LABEL	ELO 100X100	820606200101
2P03	QUICK START GUIDE	ET1	821103400103
2P02	GUIDE TOOLS CD	ELO REV.J	821500101101
1P06	PALLET	WOODEN 1145X1210X120mm	821601800101
	GLUE HOT MELT CLEARSTICK	ELO (160108)	830100300101
	LOCTITE	ELO (262)	830100400101
6F12	FLUOROSYL 998307	FSD2500-16 ELO	830200300101
571909402000G (ET19F CPT TF iTOUCH ASSY)			
CIRCUITREF	DESCRIPTION		PART NO.
V501	CRT	M46AJS53X76(EL) 19	411902501204
V501E	ALU TAPE	3cmX20cm ELECTRIC	474363002000
	WIRE ASSY	ELO 012525 ET19	531001201800
		ET19F	
	ADHESIVE DOUBLE TAPE	ELO W=3.14mm L=33M/R	820303300101
	GEL	602-GEL ELO 10ml	830100200301
	UV GLUE	Elo (6-20288)	830101400101
	UV INK 160173	ELO (M16979-05-N) 700g	830200100101

ET1985C-4SWA-1			
CIRCUITREF	DESCRIPTION		PART NO.
V501B	DEGAUSSING COIL ET19	L=410/265/350mm 群鹏	321400001507
5S04M	GASKET	20X20X20	474400000300
T10A	WIRE ASS'Y 012379	XHP2-10 1007#26 L=255mm	531000200700
V501D	WIRE ASSY 1015#22	SGF-STO L=170/110+SLEEVE	531000203300
W204	WIRE ASS'Y 012378	DSUB9-10 2651#28 L=305mm	531000900500
W201	SIGNAL CABLE 6715008201	DSUB-15PX2 1830mm HP	531311800800
W203	SIGNAL CABLE 1830mm HP	DSUB-9PX2 PE0145	531311800900
V501CA, V501CC V501A	CABLE TIE PLT1M	L=100mm 7130K12	532000001000
	CRT GROUNDING WIRE	0.12/64 1015#22 ET19	532500005600
	ET19F NEW M/B RIVET ASSY	ET19F	571909303000F
	ET17/19 CRT BOARD ASSY	ET17/19	571909304000A
	ET19F CPT TF iTOUCH ASSY	ET19F	571909402000G
	IT SERIAL CONTROL BD	351077-000	581512302001A
6F11	MINI BEZEL	ELO 19 FLAT CRT	710101900101
6F08S	KNOB	ET17 ATRONIC	711102000101
6F08N,6F08R	PCB SUPPORT R0180L2000	PINGOOD SCB-5 (ET1)	711901900101
6F18F	PLASTIC WASHER	W8X4.1X2t	712001600101
T10B	MOVABLE TIE	PINGOOD (BST-6A)	712100800101
6F18D	SNAP CLIP	SN-01G	712301500101
6F18E	SNAP CLIP	SN-01GB	712301600101
6F01,6F02	TOP/BOTTOM CHASSIS	GAME 19	720112300102
6F10	BRACKET	REAR (ELO) 15	720114500102
6F06	BRANCE ANGLE LEFT	(ELO) ET19C	720114800101
6F07	BRANCE ANGLE RIGHT	ET19C	720114900101
6F08	BRACKET	CONTROLLER ET1 (ELO)	720115200201
6F13,6F14	BRACKET-ITEM 1	ET17 SD502708 ITEM 1	720132600101
6F15,6F16	BRACKET-ITEM 2	ET17 SD502708 ITEM 2	720132700101
6F03,6F04	BRANCE	ET19 REVISION	720133500202
6F17	BRACKET COVER-ITEM 3	ET19 SD502707 ITEM 3	720134300101
6F18	TOP BRACKET-ITEM 4	ET19 SD502707 ITEM 4	720134400101
6F19	MAIN BOARD COVER-ITEM 6	ET19 SD502707 ITEM 6	720134600101
6F20	BRACKET RIGHT-ITEM 7	ET19 SD502707 ITEM 7	720134700201
6F21	BRACKET LEFT -ITEM 8	ET19 SD502707 ITEM 8	720134800101
V501P	CAUTION LABEL	25KV	740202400101
6B01M	HI POT LABEL		740202700101
	WARNING LABEL	D.I FOR CARTON (ELO)	740203200101
6F08T	VR LABEL	ET1 KNOB	740402900101
	BLANK B/C LABEL	T=0.05 76X57.6	741200700101
	RIBBON	RICOH B-110A 110mmX300M	741300200101
6F18C	MYLAR	SR53 160X160X0.25t	750200100101
6F17B	RUBBER	GRMMT-EDGE	760301800101
	WIPER BLADE EXTRUEDE	ELO 700307	760400100101
5S05M,5S06M,	SCREW	CPMSP 4.0X8 Zn	771177050101

6F06M,6F07M, 6F10M			
6F13A,6F14A, 6F15A,6F16A, 6F17A,6F19A, 6F20A,6F21A	SCREW	CPMSP 4.0X8 Zn	771177050102
6F18A	SCREW	CPMSP M4.0X20 Zn-Cc	771177100201
6F03M,6F04M	SCREW	CPMSP M6X8 Zn	771179050101
6F11M	SCREW	CPMSP M6X14 Zn	771179080101
6F08M,6F08P, 6F08Q	SCREW	CPTSPB 3.0x8 Zn-Cc	771376050201
W204M	SCREW R0313L41C	IOHMF 4-40 Ni	775106050301
6F01R	SCREW	IOHM M6X15X15	775109170101
6F01Q	SPRING WASHER	S 6.4X14X1.2t	790900010301
1P21	PE BAG	900x500x440x0.03t	810202500101
1P11B	DRIER SILICA GEL	ELO 15 (40g)	810400300101
5S04N	SPONGE (NEPLAN)	20x20x15mm ET19F-TPS	810501700101
1P01	EPE FOAM (T)	ET1985C	810709600101
1P02	EPE FOAM (B)	ET1985C	810709700101
1P22	ZIP BAG R0273A14	210X295X0.04t	811200400101
1P11	CARTON	ET1945C-4XWE-1	820110000101
V501E,V501F	TAPE MYLAR	3M#898 19mmX50M	820300400101
	END UNIT LABEL	(INNE)	820600500101
	BLANK LABEL	(50X35)	820604200101
	BLANK BARCODE LABEL	ELO 100X100	820606200101
1P06	PALLET	WOODEN 1145X1210X120mm	821601800101
	GLUE HOT MELT CLEARSTICK	ELO (160108)	830100300101
	LOCTITE	ELO (262)	830100400101
6F17C	GLUE	CHEMITSEAL Q-706T	830101600101
6F12	FLUOROSYL 998307	FSD2500-16 ELO	830200300101

571909402000G (ET19F CPT TF iTOUCH ASSY)

CIRCUITREF	DESCRIPTION		PART NO.
V501	CRT	M46AJS53X76(EL) 19	411902501204
V501E	ALU TAPE	3cmX20cm ELECTRIC	474363002000
	WIRE ASSY	ELO 012525 ET19	531001201800
		ET19F	
	ADHESIVE DOUBLE TAPE	ELO W=3.14mm L=33M/R	820303300101
	GEL	602-GEL ELO 10ml	830100200301
	UV GLUE	Elo (6-20288)	830101400101
	UV INK 160173	ELO (M16979-05-N) 700g	830200100101

ET1988C-4SWA-1-SEGA (TPS)			
CIRCUITREF	DESCRIPTION		PART NO.
V501B	DEGAUSSING COIL ET19	L=410/265/350mm 群鵬	321400001507
5S04M	GASKET	20X20X20	474400000300
T10A	WIRE ASS'Y 012379	XHP2-10 1007#26 L=255mm	531000200700
V501D	WIRE ASSY 1015#22	SGF-STO L=170/110+SLEEVE	531000203300
W204	WIRE ASS'Y 012378	DSUB9-10 2651#28 L=305mm	531000900500
V501CA, V501CC	CABLE TIE PLT1M	L=100mm 7130K12	532000001000
V501A	CRT GROUNDING WIRE	0.12/64 1015#22 ET19	532500005600
	ET19F SEGA NEW M/B RIVET	ET19F SEGA	571909303000J
	ET17/19 CRT BOARD ASSY	ET17/19	571909304000A
	ET19F CPT TF iTOUCH ASSY	ET19F	571909402000G
	IT SERIAL CONTROL BD	351077-000	581512302001A
6F11	MINI BEZEL	ELO 19 FLAT CRT	710101900101
6F08S	KNOB	ET17 ATRONIC	711102000101
6F08N,6F08R	PCB SUPPORT R0180L2000	PINGOOD SCB-5 (ET1)	711901900101
T10B	MOVABLE TIE	PINGOOD (BST-6A)	712100800101
T10C	STRAP TIE	BST-3A	712301700101
6F01,6F02	TOP/BOTTOM CHASSIS	GAME 19	720112300102
6F10	BRACKET	REAR (ELO) 15	720114500102
6F06	BRANCE ANGLE LEFT	(ELO) ET19C	720114800101
6F07	BRANCE ANGLE RIGHT	ET19C	720114900101
6F05	BRACKET	MAIN BOARD ET1 (ELO)	720115100202
6F08	BRACKET	CONTROLLER ET1 (ELO)	720115200201
6F03,6F04	BRANCE	ET19 REVISION	720133500202
V501P	CAUTION LABEL	25KV	740202400101
6B01M	HI POT LABEL		740202700101
	WARNING LABEL	D.I FOR CARTON (ELO)	740203200101
6F08T	VR LABEL	ET1 KNOB	740402900101
	BLANK B/C LABEL	T=0.05 76X57.6	741200700101
	RIBBON	RICOH B-110A 110mmX300M	741300200101
6F07T	RUBBER PAD	ET1	760201600101
	WIPER BLADE EXTRUEDE	ELO 700307	760400100101
5S05M,5S06M, 6F05M,6F06M, 6F07M,6F10M	SCREW	CPMSP 4.0X8 Zn	771177050101
6F03M,6F04M	SCREW	CPMSP M6X8 Zn	771179050101
6F11M	SCREW	CPMSP M6X14 Zn	771179080101
6F08M,6F08P, 6F08Q	SCREW	CPTSPB 3.0x8 Zn-Cc	771376050201
W204M	SCREW R0313L41C	IOHMF 4-40 Ni	775106050301
6F01R	SCREW	IOHM M6X15X15	775109170101
6F01Q	SPRING WASHER	S 6.4X14X1.2t	790900010301
1P21	PE BAG	900x500x440x0.03t	810202500101
1P11B	DRIER SILICA GEL	ELO 15 (40g)	810400300101
5S04N	SPONGE (NEPLAN)	20x20x15mm ET19F-TPS	810501700101

1P01	EPE FOAM (L)	ET19 FLAT	810701700201
1P02	EPE FOAM (R)	ET19 FLAT	810701800201
1P11	CARTON	ET19F ELO	820109300101
V501E,V501F	TAPE MYLAR	3M#898 19mmX50M	820300400101
	END UNIT LABEL	(INNE)	820600500101
	BLANK LABEL	(50X35)	820604200101
	BLANK BARCODE LABEL	ELO 100X100	820606200101
1P06	PALLET	WOODEN 1145X1210X120mm	821601800101
	GLUE HOT MELT CLEARSTICK	ELO (160108)	830100300101
	LOCTITE	ELO (262)	830100400101
6F12	FLUOROSYL 998307	FSD2500-16 ELO	830200300101

571909402000G (ET19F CPT TF iTOUCH ASSY)

CIRCUITREF	DESCRIPTION		PART NO.
V501	CRT	M46AJS53X76(EL) 19	411902501204
V501E	ALU TAPE	3cmX20cm ELECTRIC	474363002000
	WIRE ASSY	ELO 012525 ET19	531001201800
		ET19F	
	ADHESIVE DOUBLE TAPE	ELO W=3.14mm L=33M/R	820303300101
	GEL	602-GEL ELO 10ml	830100200301
	UV GLUE	Elo (6-20288)	830101400101
	UV INK 160173	ELO (M16979-05-N) 700g	830200100101

571909304000A (ET17/19 CRT BOARD ASSY)

CIRCUITREF	DESCRIPTION		PART NO.
R711,R712,R713,R714, R736	RES CF	1/8W 100ohm J T	211003010100
R710,R737	RES CF	1/8W 1K J(+/-5%) T	211003010200
R707,R735	RES CF	1/8W 10K J(+/-5%) T	211003010300
R708,R709,R722,R723, R724	RES CF	1/8W 220ohm J(+/-5%) T	211003022100
R729,R730,R731	RES CF	1/8W 220K J T	211003022400
R704,R705,R706	RES CF	1/8W 330ohm J T	211003033100
R726,R727,R728	RES CF	1/8W 56ohm J T	211003056000
R701,R702,R703	RES CF	1/8W 75ohm J T	211003075000
R738	RES CF	1/4W 100ohm J T	211103010100
R732,R733,R734	RES CF	1/4W 56ohm J T	211103056000
R742	RES CF	1/2W 100K J T	211203010400
R741	RES MOF	1W 3.3ohm J 12.5	212501033800
C704	CAP ELEC	100uF M 10V 105 TAPING	261201310100
C708	CAP ELEC	22uF M 10V 105 T	261201322000
C710	CAP ELEC	10uF M 50V 105 T (20%)	261205310000
C722,C727	CAP ELEC	2.2uF M 100V 105 TAPING	261208322800
C716,C717,C718	CAP ELEC	1uF M 100V 105 NK T	261328310800
C709	CAP CERAMIC	100PF K 50V Y5P T	272001310100
C705	CAP CERAMIC	220PF K 500V Y5P T	272004322100
C724	CAP CERAMIC	560PF K 500V Y5P T	272004356100

C711,C719,C720,C721, C726	CAP CERAMIC	0.01uF M 500V Z5U T	272104310300
C723	CAP CERAMIC	0.01uF M 1KV Z5U 7.5 20%	272105110300
C707,C712,C713,C714, C715,C725	CAP CERAMIC	0.1uF Z 50V Y5V T (20%)	272201310400
C701,C702,C703	CAP PLASTIC	0.022uF J 50V PEI T	281001322300
L704,L705,L706	COIL PEAKING	0.22uH K T	323053022900
D701,D702,D703,D704, D705,D706	DIODE	FDH400.TR D0-35	370503040000
D707,D708,D709,D711	DIODE	1N4148(1A/75V) T	371303107500
U701	IC	LM1269 NS	381000026905
U703	IC	LM2469TA	381100046905
U702	IC	LM2480 NS	381100048005
U704	IC	L7805CV 3	382600080510
	PCB NECK CEM-I T1.6/1oz	L82xW90mm FOR ET17 /19	441100310100
CRTA	SOCKET CRT	ISDW01S 01S44C INCHANGE	450010001700
G2	GT PIN	R=1.56mm l=13mm	452001561300
T704	GT PIN	R=2.36mm L=14mm	452002361400
T701	BASE PIN	2.5mm 7PIN R/A	452112500700
T703	BASE PIN	2.0mm 6PIN RA	453012000600
T702	BASE PIN	2.0mm 9PIN RA	453012000900
C728,K701,K702,K703, K704	SPARK GAP	1.2KV	473500312200
J702,J703,J710	JUMPER WIRE	PITCH=7.5mm	531400007500
J701,J705,R719,R720, R721	JUMPER WIRE	PITCH=10mm	531400010000
J706,J707,J708,J711	JUMPER WIRE	PITCH=12.5mm	531400012500
J704	JUMPER WIRE	PITCH=15mm	531400015000
J709	JUMPER WIRE	PITCH=20mm	531400020000
	ET17/19 CRT BOARD ASSY	ET17/19	571909304000A
5S04	VIDEO SHIELDING	GAME	720305200101
U703N	HEAT SINK	60LX24WX30.5H 13mm	730401900301
U703M	SCREW	CTTWE 3.0x8 Zn	773656050201

571909303000J (ET19F SEGA NEW M/B RIVET)

CIRCUITREF	DESCRIPTION		PART NO.
R220,R502,R623	1/8W 10ohm J T	RES CF	211003010000
R134,R135,R136,R137, R146,R147,R223,R224, R225	1/8W 100ohm J T	RES CF	211003010100
R104,R106,R110,R112, R117,R131,R133,R138, R207,R226,R511,R519, R522,R523,R527,R562, R563,R565,R621,R635, R638	1/8W 1K J(+/-5%) T	RES CF	211003010200

R142,R228,R310,R529, R537,R631,R807	1/8W 10K J(+/-5%) T	RES CF	211003010300
R202,R231	1/8W 100K J T	RES CF	211003010400
R229	1/8W 10M J T	RES CF	211003010600
R227	1/8W 120K J T	RES CF	211003012400
R309,R503,R508	1/8W 13K J T	RES CF	211003013300
R156,R308,R520,R526	1/8W 1.5K J T	RES CF	211003015200
R212	1/8W 15K J T	RES CF	211003015300
R625	1/8W 150K J T	RES CF	211003015400
R210	1/8W 1.8K J T	RES CF	211003018200
R501,R619,R627	1/8W 18K J T	RES CF	211003018300
R540	1/8W 180K J T	RES CF	211003018400
R515	1/8W 200K J T	RES CF	211003020400
R230	1/8W 2M J T	RES CF	211003020500
R103,R111,R113,R114, R122,R123,R124,R125, R126,R127,R128,R143, R144,R200,R205,R206, R208,R222,R554	1/8W 220ohm J(+/-5%) T	RES CF	211003022100
R159,R232	1/8W 2.2K J T	RES CF	211003022200
R211	1/8W 22K J T	RES CF	211003022300
R145,R626	1/8W 2.4K J T	RES CF	211003024200
R541	1/8W 24K J T	RES CF	211003024300
R539	1/8W 270ohm J(+/-5%) T	RES CF	211003027100
R105	1/8W 27K J T	RES CF	211003027300
R516,R628	1/8W 33K J T	RES CF	211003033300
R524,R538	1/8W 3.9K J(+/-5%) T	RES CF	211003039200
R213	1/8W 39K J T	RES CF	211003039300
R632	1/8W 390K J T	RES CF	211003039400
D511,R101,R102	1/8W 470ohm J T	RES CF	211003047100
R108,R109,R115,R116, R118,R119,R120,R121, R129,R130,R132,R517, R560,R561,R568,R569	1/8W 4.7K J(+/-5%) T	RES CF	211003047200
R218,R802	1/8W 47K J T	RES CF	211003047300
R209,R311	1/8W 5.6K J T	RES CF	211003056200
R203	1/8W 56K J T	RES CF	211003056300
R158,R521	1/8W 680ohm J T	RES CF	211003068100
R543,R570	1/8W 6.8K J T	RES CF	211003068200
R217,R518	1/8W 68K J T	RES CF	211003068300
R633	1/8W 750ohm J T	RES CF	211003075100
R219,R221	1/8W 75K J T	RES CF	211003075300
R622	1/8W 82ohm J T	RES CF	211003082000
R233	1/8W 8.2K J T	RES CF	211003082200
R507	1/4W 100ohm J T	RES CF	211103010100

R157,R204,R551	1/4W 1K J T	RES CF	211103010200
R542,R548	1/4W 47ohm J T	RES CF	211103047000
R637	1/4W 470ohm J T	RES CF	211103047100
R510	1/4W 4.7K J T	RES CF	211103047200
R201	1/4W 680ohm J T	RES CF	211103068100
R528	1/4W 75ohm J T	RES CF	211103075000
R513	1/2W 1K J T	RES CF	211203010200
R509	1/2W 100K J T	RES CF	211203010400
R601	1/2W 1M J T	RES CF	211203010500
R313	1/2W 1ohm J T	RES CF	211203010800
R307	1/2W 1.1ohm J T	RES CF	211203011800
R641	1/2W 180K J T	RES CF	211203018400
R545	1/2W 220ohm J T	RES CF	211203022100
R304A,R305, R305A,R306, R306A,R533	1/2W 2.2ohm J T	RES CF	211203022800
R301,R301A,R302, R303,R304	1/2W 3.9ohm J T	RES CF	211203039800
R636	1/2W 680ohm J T	RES CF	211203068100
R640	1/2W 68K J T	RES CF	211203068300
R639	1/2W 680K J T	RES CF	211203068400
R312	1/2W 750ohm J T	RES CF	211203075100
R512	1/2W 82K J T	RES CF	211203082300
R505	1/2W 18M T	RES HIGH	211223018600
R571	1/4W 1M F T	RES MF	212103010500
R552	1W 47ohm J 12.5	RES MOF	212501047000
R536	2W 100K J(+/-5%) P:15mm	RES MOF	212601010400
R530	2W 0.1ohm J 15	RES MOF	212601010900
R615,R616	2W 68K J 15	RES MOF	212601068300
R514	3W 100ohm J 20	RES MOF	212701010100
R525	3W 15ohm J 20	RES MOF	212701015000
R617	3W 4.7K J 20	RES MOF	212701047200
R620	5W 0.22ohm J KINK P=5	RES MOF	212752022900
L604	1/4W 0.33 J T	RES FUSIBLE(MF)	213653033900
R504,R535	1W 100 J P=12.5	RES FUSIBLE(MF)	213671010100
R572	2W 120 J P=15	RES FUSIBLE(MF)	213681012100
VR501	B 20K M D=6 V 0.1W CF	VR SEMI-FIXED	221300020300
VR601	B 1K M D=6 H 0.1W CF	VR SEMI-FIXED	221400010200
R600	9ohm DGC2R9R0Q27A 2PIN	PTCR	231000009000
R602	3A 5ohm SCK053	NTCR	231103050800
R614	P6KE150A/5W DO-41	VARISTOR 1A/150V PANJIT	232500000000
SW5	FORWARD FOR ET21	ENCODER DC11B2021401	232600000700
C101,C104,C114	100uF M 10V 105 TAPING	CAP ELEC	261201310100
C622	220uF M 10V 105 TAPING	CAP ELEC	261201322100
C116	470uF M 10V 105 TAPING	CAP ELEC	261201347100
C217	10uF M 16V 105 T	CAP ELEC	261202310000

C612,C635	100uF M 16V 105 TAPING	CAP ELEC	261202310100
C301,C302,C626,C629	1000uF M 16V 105 +/-20%T	CAP ELEC	261202310200
C222	220uF M 16V 105 TAPING	CAP ELEC	261202322100
C106,C111,C212,C218	47uF M 16V 105 TAPING	CAP ELEC	261202347000
C628	2200uF M 25V 105 7.5	CAP ELEC	261203122200
C619	100uF M 25V 105 T	CAP ELEC	261203310100
C502	220uF M 25V 105 TAPING	CAP ELEC	261203322100
C620	47uF M 25V 105 T (20%)	CAP ELEC	261203347000
C307	220uF M 35V 105 TAPING	CAP ELEC	261204322100
C112,C113,C223,C537	10uF M 50V 105 T (20%)	CAP ELEC	261205310000
C513	1uF M 50V 105 TAPING	CAP ELEC	261205310800
C206,C216,C225,C634	2.2uF M 50V 105 TAPING	CAP ELEC	261205322800
C105	3.3uF M 50V 105 TAPING	CAP ELEC	261205333800
C505	47uF M 50V 105 TAPING	CAP ELEC	261205347000
C633	100uF M 100V 105 T	CAP ELEC	261208310100
C509	10uF M 200V 105 TAPING	CAP ELEC	261211310000
C632	100uF M 250V 105 P=7.5	CAP ELEC	261212110100
C572	0.47uF M 250V 105 T	CAP ELEC	261212347900
C611	330uF M 105 400V	CAP ELEC HP (25X55)	262204233100
C107,C108	22PF J 50V NPO T	CAP CERAMIC	271501322000
C609	47PF J 500V NPO T	CAP CERAMIC	271504347000
C121,C201,C202,C618	100PF K 50V Y5P T	CAP CERAMIC	272001310100
C120	1000PF K 50V Y5P T (20%)	CAP CERAMIC	272001310200
C227	220PF K 50V Y5P T	CAP CERAMIC	272001322100
C616	470PF K 50V Y5P T	CAP CERAMIC	272001347100
C502A	560PF K 50V Y5P T	CAP CERAMIC	272001356100
C602,C605	100PF K 500V Y5P T	CAP CERAMIC	272004310100
C531	220PF K 500V Y5P T	CAP CERAMIC	272004322100
C527	1000PF K 1KV Y5P T	CAP CERAMIC	272005310200
C614	150PF K 1KV Y5P T	CAP CERAMIC	272005315100
C540	220PF K 1KV Y5P T	CAP CERAMIC	272005322100
C532A	47PF K 1KV Y5P T	CAP CERAMIC	272005347000
C528,C533,C630	0.01uF M 500V Z5U T	CAP CERAMIC	272104310300
C503,C613	0.01uF M 1KV Z5U 7.5 20%	CAP CERAMIC	272105110300
C103,C109,C110,C115, C211,C303,C500,C500A, C501,C525,C526,C621, C623,C627	0.1uF Z 50V Y5V T (20%)	CAP CERAMIC	272201310400
C118,C547	0.22uF J 50V PEI 10	CAP PLASTIC	281001122400
C210,C213,C215,C514	0.001uF J 50V PEI T	CAP PLASTIC	281001310200
C204,C207,C305,C306, C510,C517,C522	0.01uF J 50V PEI T	CAP PLASTIC	281001310300
C209,C226,C508,C516	0.1uF J 50V PEI T	CAP PLASTIC	281001310400
C515	0.012uF J 50V PEI T	CAP PLASTIC	281001312300
C224	0.15uF J 50V PEI T	CAP PLASTIC	281001315400

C504,C617	0.0022uF J 50V PEI T	CAP PLASTIC	281001322200
C539,C541,C801	0.022uF J 50V PEI T	CAP PLASTIC	281001322300
C518	0.0033uF J 50V PEI T	CAP PLASTIC	281001333200
C102,R140	0.0047uF J 50V PEI T	CAP PLASTIC	281001347200
C308	0.0068uF J 50V PEI T	CAP PLASTIC	281001368200
C530,C532	0.082uF J 50V PEI T	CAP PLASTIC	281001382300
C205	820PF J 100V PPN T	CAP PLASTIC	281201382100
C507	0.0039uF J 630V PPN 10	CAP PLASTIC	281204139200
C506	0.0062uF J 1.6KV PPS 25	CAP PLASTIC	281308162200
C523	0.00022uF 2KV PPS J 15	CAP PLASTIC	281309122100
C524	0.033uF J 250V MEF 10	CAP PLASTIC	281405133300
C220	0.15uF J 63V MEB T	CAP PLASTIC	281502315400
C203,C304,C512	0.22uF J 63V MEB T (5%)	CAP PLASTIC	281502322400
C219	0.47uF J 63V MEB T	CAP PLASTIC	281502347400
C538	1.2uF J 250V MPP 20	CAP PLASTIC	281602112500
C535	0.22uF J 250V MPP 15	CAP PLASTIC	281602122400
C536	0.39uF J 250V MPP 20	CAP PLASTIC	281602139400
C534	0.33uF J 400V MPP 20	CAP PLASTIC	281603133400
C601	0.22uF AC 250V/300V 22.5	CAP X	291000022400
C610,C615	4700PF AC 250V (AH)	CAP Y1	291250047200
L505	0A 6uH ET19	LINEARITY COIL	321000002300
L507	17uH	COIL CHOKE	321200001300
L510	3mH	COIL CHOKE	321200003500
L602	35mH	AC LINE FILTER	321300100700
G2B	1-T-20x10x10-EM2	CORE	321500002300
L608	6mmX10mm	COIL BEAD	321503000400
J05,L102,L501,L502, L603,L606,L609,L610, L612	3.5mmX6mm	COIL BEAD	321503001000
J28,J28A,L503	3.5X9X0.8	CORE BEAD	321503001300
L601,L601A	35uH	CORE RING	321700001000
D202	10uH K T (EC24)	COIL PEAKING	323053010000
T601	POWER UD1	TRANSFORMER	331000002000
T501	FBT ET17	TRANSFORMER	331100002300
T504	FOCUS	TRANSFORMER	331250000600
T503	COUPLING	TRANSFORMER	331250000700
T502	L:53uH+/-20%,LK:160uH	TRANSFORMER H-DRIVER	331300000800
Q608	2SA673AC	TRANSISTOR	361103067300
Q201,Q503,Q506,Q515	2SA733P	TRANSISTOR	361103073300
Q610,Q611	2SA1020Y T	TRANSISTOR	361103102000
Q508	2SC5387(HFE)	TRANSISTOR	361300538700
Q101,Q202,Q203,Q204, Q504,Q511,Q514,Q523, Q524,Q525,Q527,Q603, Q606,Q607	H945P / C945P	TRANSISTOR TAPING	361303094500

Q609	2SC1213AC T	TRANSISTOR	361303121300
Q507	2SK941	TRANSISTOR	361500094100
Q501	SSS6N60A	TRANSISTOR	361550066000
Q602	SSS7N80A	TRANSISTOR	361550078000
Q513	BF420 T	TRANSISTOR	361603042000
Q502	BF423 T	TRANSISTOR	361603042300
Q517,Q518	IRFS640A	TRANSISTOR	361700064000
Q516	IRFS740B 10A/400V TO220F	TRS. N-MOSFET FAIRCHILD	361700074000
D502,D508	1A/600V 50-75ns T	DIODE UF4005G JIT	371203100600
D619,D619B	1A/1000V 50-75ns T	DIODE UF4007 JIT	371213101000
D101,D102,D204,D503, D505,D507,D512,D610, D613,D618	1N4148(1A/75V) T	DIODE	371303107500
D509	UGP20G/SF20GG KINK P=20	DIODE (2A/400V)	371721200400
Q509	BY329X-1500S 5A/1500V	DIODE	371960501504
D201,D513,D612,D801	FR102/PR1002	DIODE 1A/100V T	372153100100
D516,D611	FR104/PR1004	DIODE 1A/400V T	372153100400
D609	PR1005	DIODE 1A/600V T	372153100600
D301	FR107/PR1007	DIODE 1A/1KV T	372153101000
D617	HER304 3A/300V KINK P=20	DIODE	372201300325
D615	HER305 3A/400V KINK P=20	DIODE	372201300425
D621	UF3006	DIODE 3A/800V KINK P=20	372201300824
D622	UF3007	DIODE 3A/1KV KINK P=20	372201301024
D517	HER102/UF1002	DIODE 1A/100V T	372203100100
D616,D624	HER205/UF2004	DIODE 2A/400V T	372203200400
D608	HER207/UF2006	DIODE 2A/800V T	372203200800
D601	PBL406/KBL406(4A/800V)	DIODE BRIDGE	373000400800
LED1	D=3mm GREEN L-34GD	LED	373502100300
D605	1/2W HZ4C3 DO-35 T	DIODE ZENER HITACHI	375003043300
D610A,R804	1/2W HZ5C2 5.0V-5.2V T	DIODE ZENER	375003053200
D510	1/2W HZ15-2 T	DIODE ZENER	375003150200
D619A	1/2W HZ20-3 20.2-21.1 T	DIODE ZENER	375003200300
D515	1/2W HZ36-2 T	DIODE ZENER	375003360200
D504	1W Z150A 150V 10% T	ZENER DIODE	375503015100
U301	TDA8172 vertical process	IC	381300017210
U201	TDA9113	IC	381400011310
U602	UC3842AM 8	IC	382500084227
U501	HA17812 3	IC	382600081201
Q505	TL431	IC	382660043144
U603	LM2940 3	IC	382700094005
U102	AT24C04 8	IC	384300040425
U103	WT6804 16	IC	384300080416
U101	VER02 ET1988C SEGA,TPS	OTP/MTP MCU WT62P1 6AC0H	384900050075
RL501	AJS-1311 NAIS	RELAY 1P2T 12V JS1-12V	432001200700
RL601	2P1T 12V FTR-F4AK012T	RELAY	432002101000

U101A	246x249mm REV.01 ET15/17	PCB MAIN CEMI-1 T1.6/1oz	441000470100
F601A	40PIN 2.54mm D=15.24	IC SOCKET	450050404000
TB2	5X20mm t=0.4mm	CLIP FUSE	450065200200
R525A,R525B	R=1.56mm l=13mm	GT PIN	452001561300
T12	R=2.36mm L=20mm	GT PIN	452002362000
T10	2.0mm 2PIN	BASE PIN	452072000200
T3	2.5mm 2PIN	BASE PIN	452102500200
T8	2.5mm 5PIN	BASE PIN	452102500500
T7	2.5mm (NARROW) 3P	BASE PIN	452142500300
T5	5-7.5mm 2PIN A1561WV2-2P	BASE PIN	452205750200
DOWNLOAD	8-10mm 4PIN JS-1122-4	BASE PIN	452258100400
T11A	2.54mm 2PINX1ROW	PIN HEADER	452802500200
T9A	2.54mm 6PINX1ROW RA	PIN HEADER L=4.0mm	452862500600
T4A	2.54mm 13PINX1ROW RA	PIN HEADER L=4.0mm	452862501300
F601	2.0mm 6PIN RA	BASE PIN	453012000600
F602,J21	3A 250V S-B 5*20 UL/CSA	FUSE GLASS TUBE 5TT3 BEL	471100030000
X101	2A 125V F-B 251	FUSE PICO	471503020000
U301T	12MHZ (HC-49/U)	CRYSTAL	473000120000
Q602P	TO-220 13mmX18.5mm	SILICON INSULATOR	475000100100
Q602N	20mmX25mmx0.45mm	SILICON RUBBER TO-2025A	475000200200
W502	TR-09	TRANSISTOR COVER	475050000100
G2	SRA/ST0(SLEEV) L=180mm	WIRE 1500#18 BLK	512006401800
S101	L=330	WIRE SVF1/1032#22 WHITE	523018593300
T6	AC CONNECTOR 3PIN ELO	WIRE ASSY	531000301100
T4	2mm-6/2mm-6 L=240mm	WIRE ASS'Y 2651#28	531000601200
T2	6P-6P(3,4 CROSS)L=1000mm	WIRE ASS'Y 2651#28X6C	531000601900
W202	2mm-9/2mm-9 2651#28+CORE	WIRE ASSY L=330mm	531000900900
T1	DSUB-15/XHP-5-7 L=280mm	SIGNAL CABLE UL20279X13C	531310200300
D803,D804,J01,J13,	PITCH=5mm	JUMPER WIRE	531400005000
J15,J16,J31,J37,	PITCH=7.5mm	JUMPER WIRE	531400007500
J38,J39,J40,J42,			
J43,J46,L611,R148,			
R149,R153,R155,			
R574,R803			
J02,J06,J10,J11,	PITCH=10mm	JUMPER WIRE	531400010000
J17,J18,J19,J22,			
J25,J26,J29,J30,			
J32,J33,J48,L101,			
L508,R613,R624			
J12,J20,J23,J24,	PITCH=12.5mm	JUMPER WIRE	531400012500
J34,J36,R506,R534			
J04,J07,J08,J09,	PITCH=20mm	JUMPER WIRE	531400020000
J14,L504			
R620A	D=9X0.25mm L=30mm	TUBE HOT-SHRINK UL/CSA	531509003000
G2A,G2C	L=100mm 7130K12	CABLE TIE PLT1M	532000001000

U301P	ET19F SEGA	ET19F SEGA NEW M/B RIVET	571909303000J
5S01	PIN GOOD 604S	TRANSISTOR WASHER	712000300101
5S05,5S06	BACK (ELO)	BRACKET	720114300103
5S07	FOOT (ELO)	BRACKET	720114400301
5S08	FBT (ET1)	BRACKET	720120500101
5S02	ET1 MAIN FRAME	FRONT BRACKET	720138000101
5S03	SIDE (L) (ELO) ET17/19	HEAT SINK	730102500101
Q516N	SIDE (R) (ELO)	HEAT SINK	730102500401
5S02M,5S03M	60X24X30.5 18mm	HEAT SINK	730401900101
S101N	CPM 3.0x8 Zn-Cc	SCREW	771106050201
5S01N,5S07M,	CPTTB 4X8 Zn-Cc	SCREW	771317050201
5S08M,Q516M,	CPTSPB 3.0x8 Zn-Cc	SCREW	771376050201
W202N			
U301M	CPTSPB 3.0x12 Zn-Cc	SCREW	771376070201
5S07N	CTTWC 4.0x10 Zn-Cc	SCREW	773457060201
5S01M,Q501M,	CTTWE 3.0x8 Zn	SCREW	773656050201
Q508M,Q509M			
Q602M	CTTWE 3.0X14 Zn	SCREW	773656080201
W202M	IOHMF 4-40 Ni	SCREW R0313L41C	775106050301
U301N	M3.0 3.0x0.5 Zn-Cc	NUT	780203010201
C506R,Q602R,	d1.2Xd1.6Xd2.9X3.0L Cr	RIVET	790800010501
R602R			
L601AR,L601R,	d1.4Xd1.8Xd3.0X3.0L Cr	RIVET	790800020501
L602R,Q509R			
D601R,D621R,	d1.6Xd2.0Xd4.0X3.0L Cr	RIVET	790800030501
D622R,L505R,			
Q508R			
C611R,S601R,	d1.9Xd2.3Xd3.8X3.0L Cr	RIVET	790800070501
T501R,T601R			

SPARE PARTS APPLICATION

Order No.: Date: Page of

To:

Attn:

From:

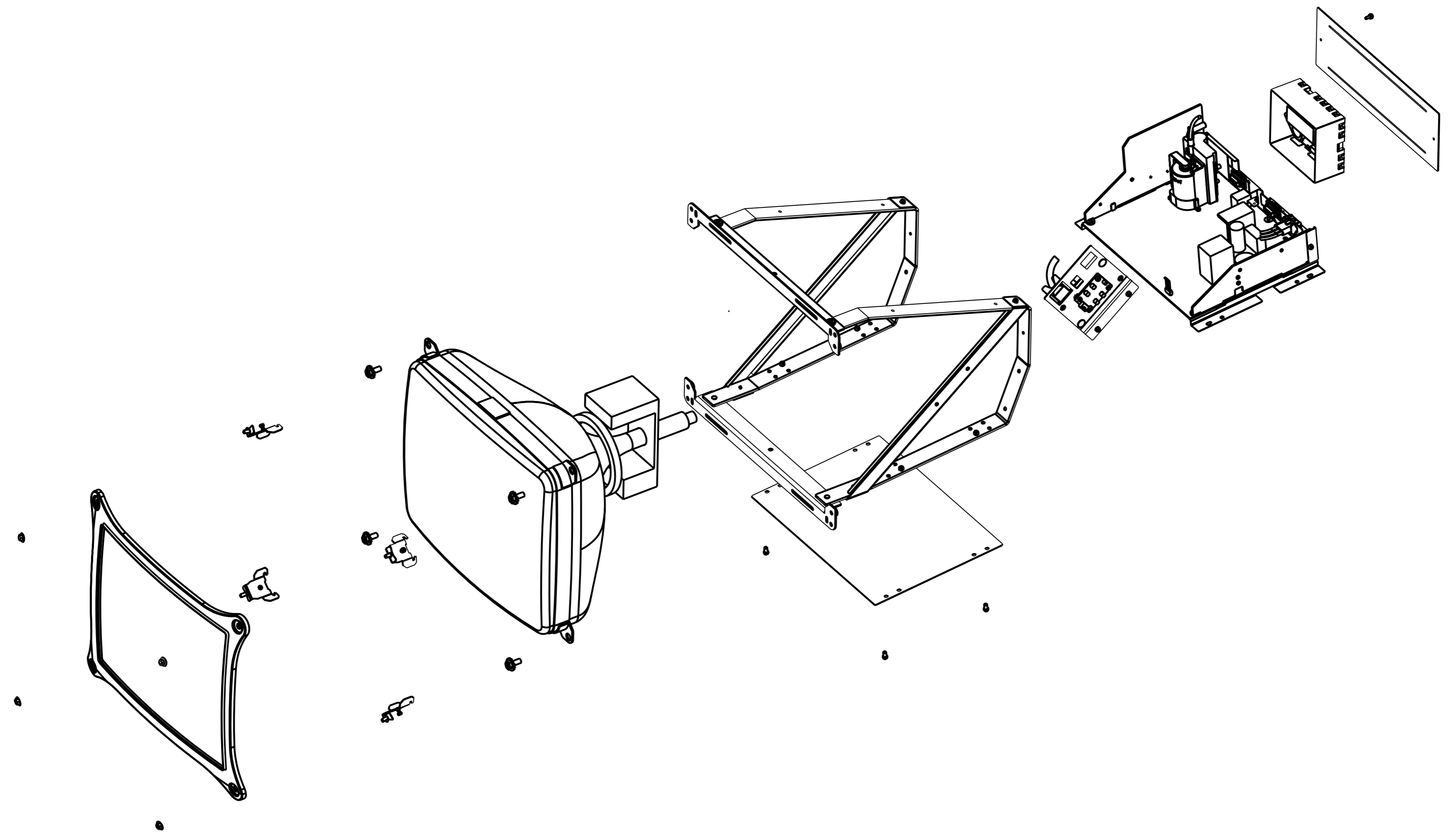
Company name & Address:

Tel NO: Fax NO:

No.	Model	Location	Parts No. /Description	Q' ty	*U/P	Warranty		Remark
						in	out	
1								
2								
3								
4								
5								
6								
7								
8								
9								
10								
11								
12								
13								
14								
15								
16								
17								
18								

A | B | C | D | E | F | G | H | I | J | K | L | M | N

REVISIONS				
ECN	REV.	DESCRIPTION	DATE	APPROVED

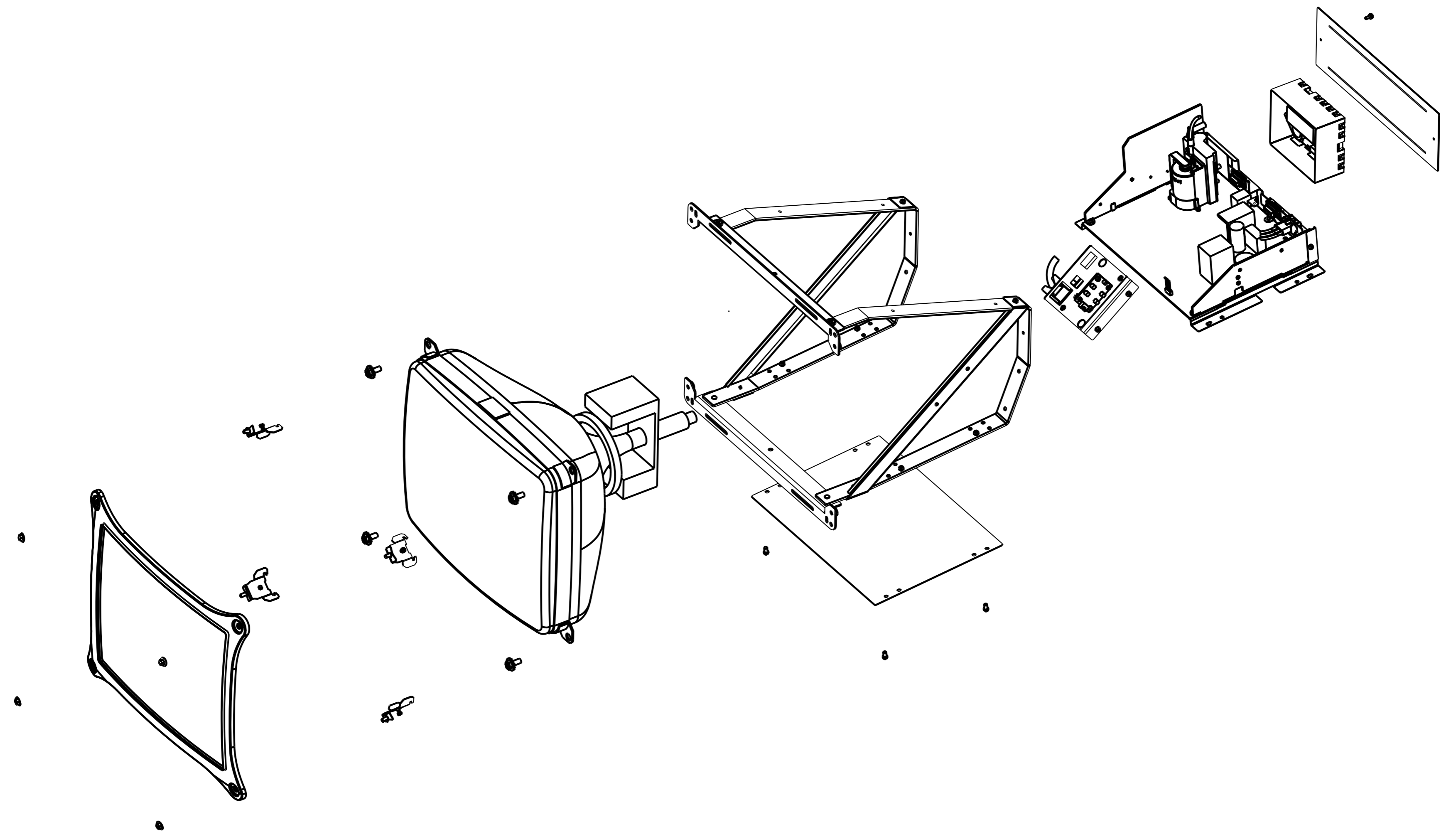


								TVM CONFIDENTIAL	
								TAIWAN VIDEO & MONITOR CORP.	
ITEM	NEXT ASSY	USED ON	<small>UNLESS OTHERWISE SPECIFIED DIMENSIONS ARE IN: mm</small> <small>TOLERANCES</small>		<small>THIS DRAWING(SPECIFICATION) IS THE PROPERTY OF TVM CORPORATION ALL RIGHTS RESERVED</small>		APPROVALS	DATE	PART NAME
APPLICATION			<small>INCHES</small> <small>DECIMALS</small> <small>±</small>	<small>METRIC</small> <small>0.1 ±0.2</small> <small>0.25 ±0.1</small>				14-Mar-03	ET15_NO_BRAK
THIRD ANGLE PROJECTION			<small>ANGLES: ±0.1°</small>		MATERIAL	COLOR	CHECKED		SIZE
							ISSUED		A2
			DO NOT SCALE DRAWING						DWG. NO.
									SCALE
									0.250
									SHEET OF
									REV. A

(ET15_NO_BRAK)

A | B | C | D | E | F | G | H | I | J | K | L | M | N

REVISIONS				
ECN	REV.	DESCRIPTION	DATE	APPROVED

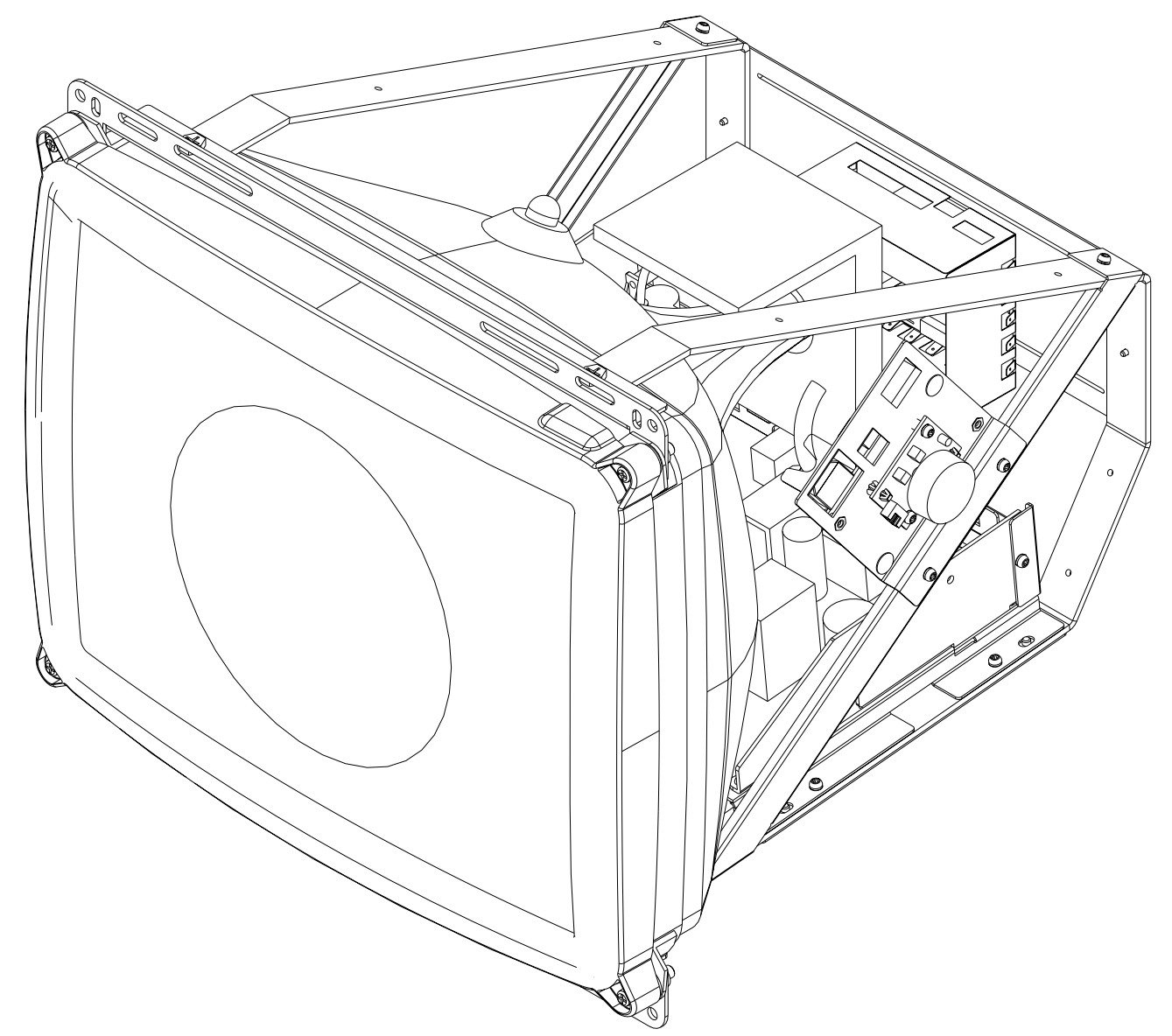
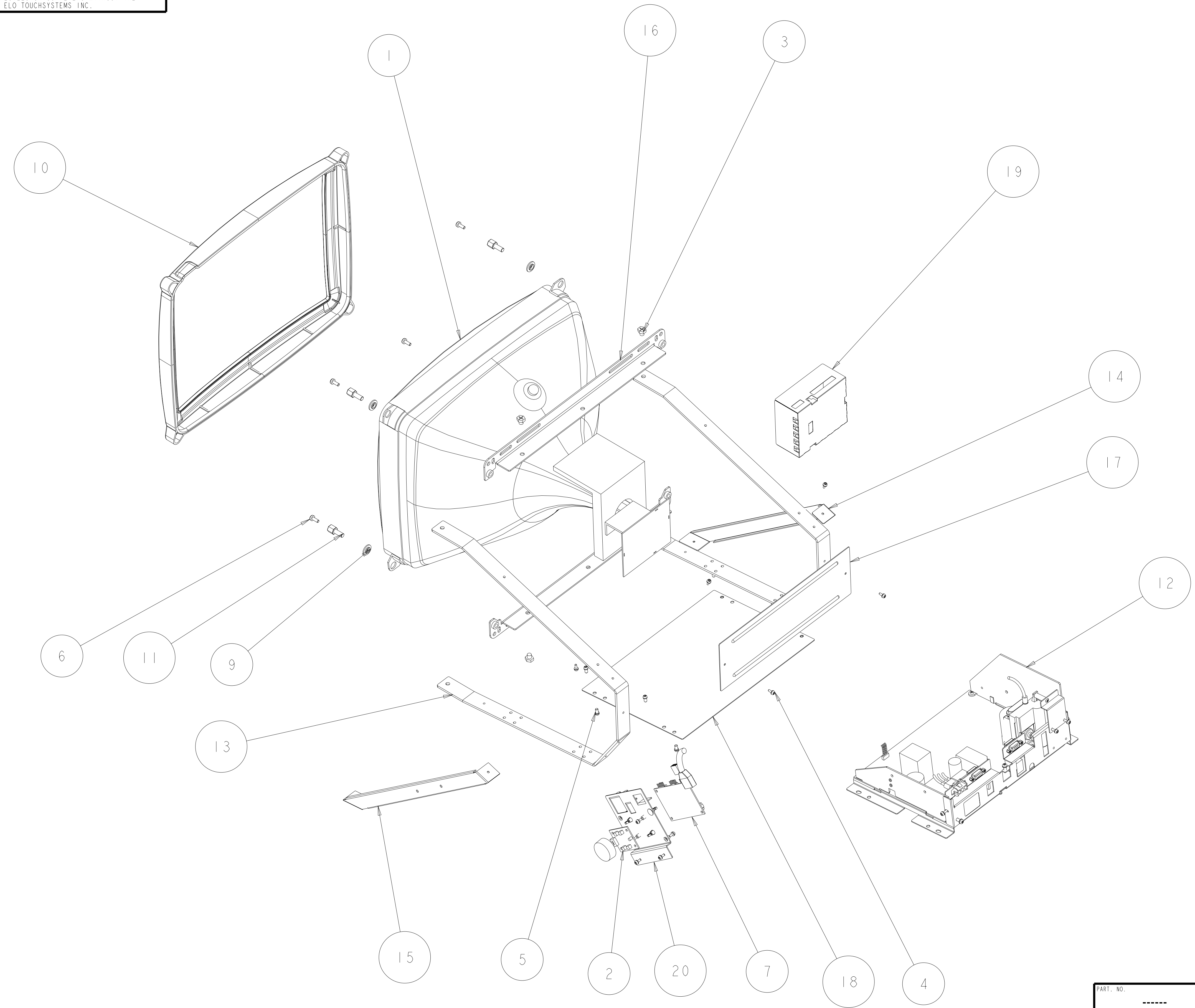


				TVM CONFIDENTIAL	
		UNLESS OTHERWISE SPECIFIED DIMENSIONS ARE IN: mm		THIS DRAWING(SPECIFICATION) IS THE PROPERTY OF TVM CORPORATION ALL RIGHTS RESERVED	
ITEM	NEXT ASSY	USED ON	INCHES DECIMALS ±	METRIC ±0.2 ±0.1	APPROVALS
APPLICATION			THIRD ANGLE PROJECTION		DATE
					14-Mar-03
			MATERIAL	COLOR	CHECKED
					ISSUED
			DO NOT SCALE DRAWING		
					PART NAME
					ET15_NO_BRAK
			SIZE	DWG. NO.	REV. A
			A2		
			SCALE	0.250	SHEET 1 of 1

(ET15_NO_BRAK)

PROPRIETARY TO ELO TOUCHSYSTEMS, INC. AND SHALL NOT BE DISCLOSED OTHER THAN TO NECESSARY EMPLOYEES OR SUPPLIERS WITHOUT THE EXPRESS WRITTEN CONSENT OF ELO TOUCHSYSTEMS, INC.

REVISIONS					
REV	ZONE	BY	DESCRIPTION	DATE	APPROVED
1	--	A.K.	DRAWING CREATION	03-11-03	



ITEM NO.	QTY REQ'D	DRAWING OR PART NO.	DESCRIPTION	MATERIAL SPECIFICATION
20	1	SHEET 9	BRACKET CONTROLLER, ET1 SERIES.	STANDARD
19	1	SHEET 8	VIDEO SHIELDING, EMI	
18	1	SHEET 7	BRACKET, MAINBOARD ET1 SERIES	
17	1	SHEET 6	BACKCOVER, ET1 SERIES	STANDARD: 15", 17", 19"
16	2	SHEET 5	CHASSIS, TOP ET1787C-4SWA-1	
15	1	SHEET 4	BRACE ANGLE, RIGHT, ET1787C-4SWA-1	
14	1	SHEET 3	BRACE, ANGLE, LEFT, ET1787C-4SWA-1	
13	2	SHEET 2	BRANCE 17", ET1787C-4SWA-1	
12	1	SD502787	MAINBOARD ASSY., ET1 SERIES.	
11	4	SD502706	STANDOFF, M6, HEX, 17" & 19" ET1.	YELLOW ZINC PLATED STEEL
10	1	SD502704	17" FST CRT, MINI-BEZEL.	
9	4	SD502703	17IN CRT SHOULDER WASHER.	YELLOW ZINC PLATED STEEL
8	1	SD502383	ARRAY LAYOUT & CABLE	SCREEN LAYOUT
7	1		TOUCH CONTROLLER.	STANDARD
6	4		SCREW, PAN HD M4X0.7X10 WITH FLAT WASHER & LOCK WASHER	STEEL, ZINC PLATED
5	8		SCREW, PAN HD, M4X0.7X6	ZINC PLATED STEEL
4	12		SCREW, PAN HD, M3X0.5X8	
3	4		SCREW, HMP M6X1.0X6	ZINC PLATED STEEL
2	1		OSD CONTROLLER	STANDARD
1	1		17" CPT AND VIDEO	17" CRT

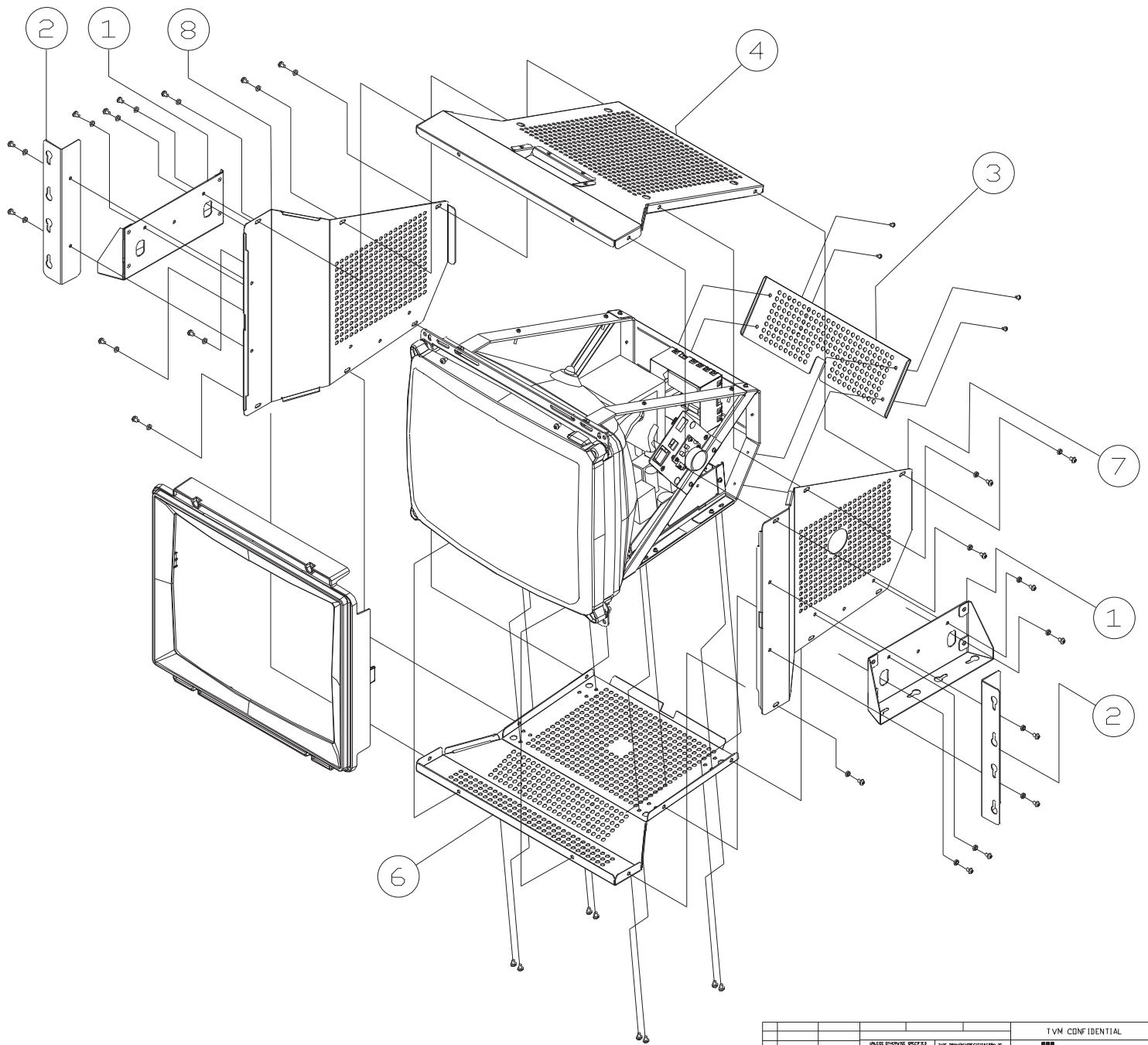
PART. NO. ----- METRIC DO NOT SCALE DRAWING ProjE_prt1.asm: SD502754.ASM ProjE_drw: SD502754.DRW	UNLESS OTHERWISE SPECIFIED ALL DIMENSIONS ARE IN MILLIMETERS TOLERANCES ARE: DECIMALS ANGLES X : ± 0.50 ±1/2° .X : ± 0.25 FRACTIONS .XX: ± 0.13 ±1/32	DRAWN KEN NORTH CHECK DATE 00.00.00 DATE DESIGN KEN NORTH DATE 00.00.00 THIRD ANGLE PROJECTION	TITLE ET1787C-4SWA-1, GAMING MONITOR. 	SIZE SCALE SHEET DWG. NO. REV D 1:3 1 OF 9 SD502754 1
--	--	--	--	--

DRAWING NO. SD502754 REV 1

R E V I S I O N S				
ECN	REV.	DESCRIPTION	DATE	APPROVED

SD502708 MECHANICAL PARTS LIST

NO.	PARTS NO.	ID.	DESCRIPTION	QTY
1	720132600101		SD502708_ITEM1	2
2	720132700101		SD502708_ITEM2	2
3	720132800101		SD502708_ITEM3	1
4	720132900101		SD502708_ITEM4	1
5	720133000101		SD502708_ITEM5	1
6	720133100101		SD502708_ITEM6	1
7	720133200101		SD502708_ITEM7	1
8	720133300101		SD502708_ITEM9	1
9	771377050201		SCREW CPTSPB 4.0X8 Zn-Cc	4
10				

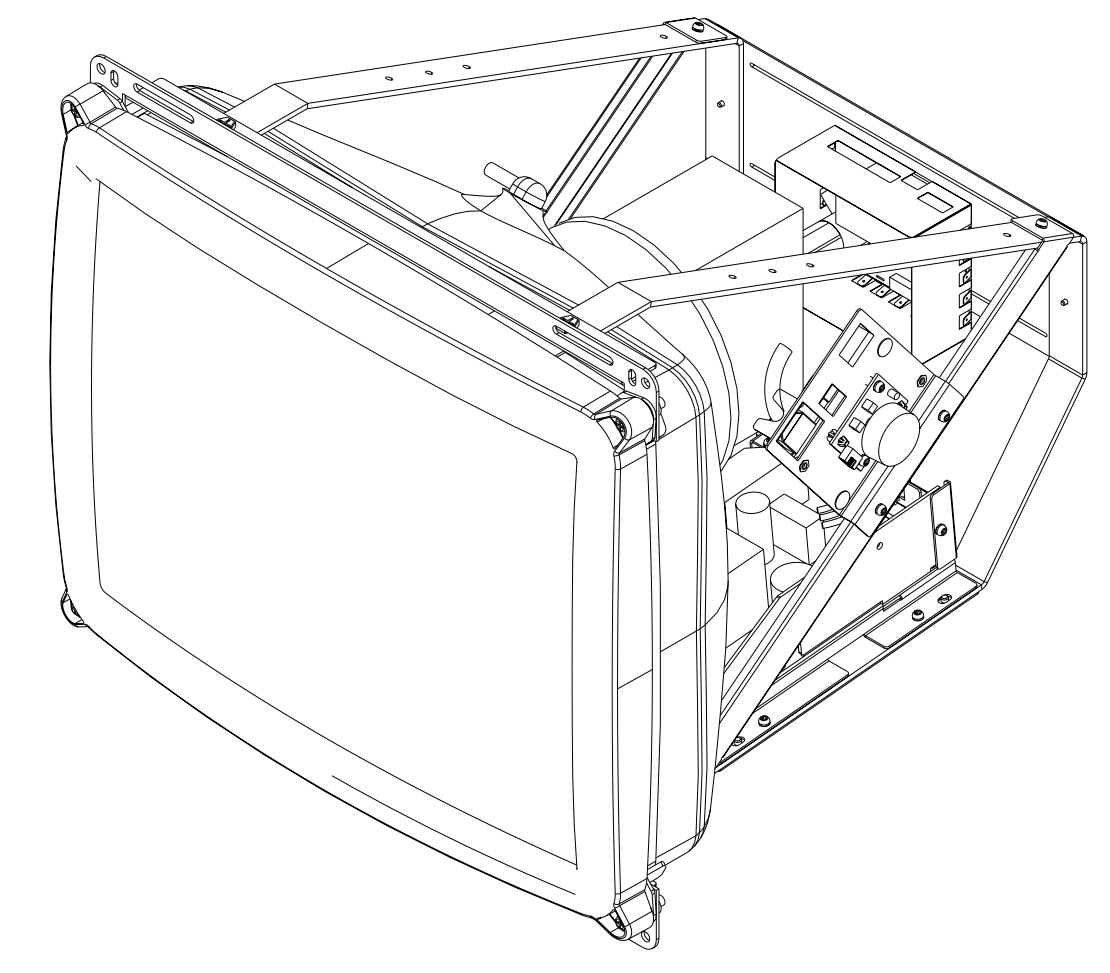
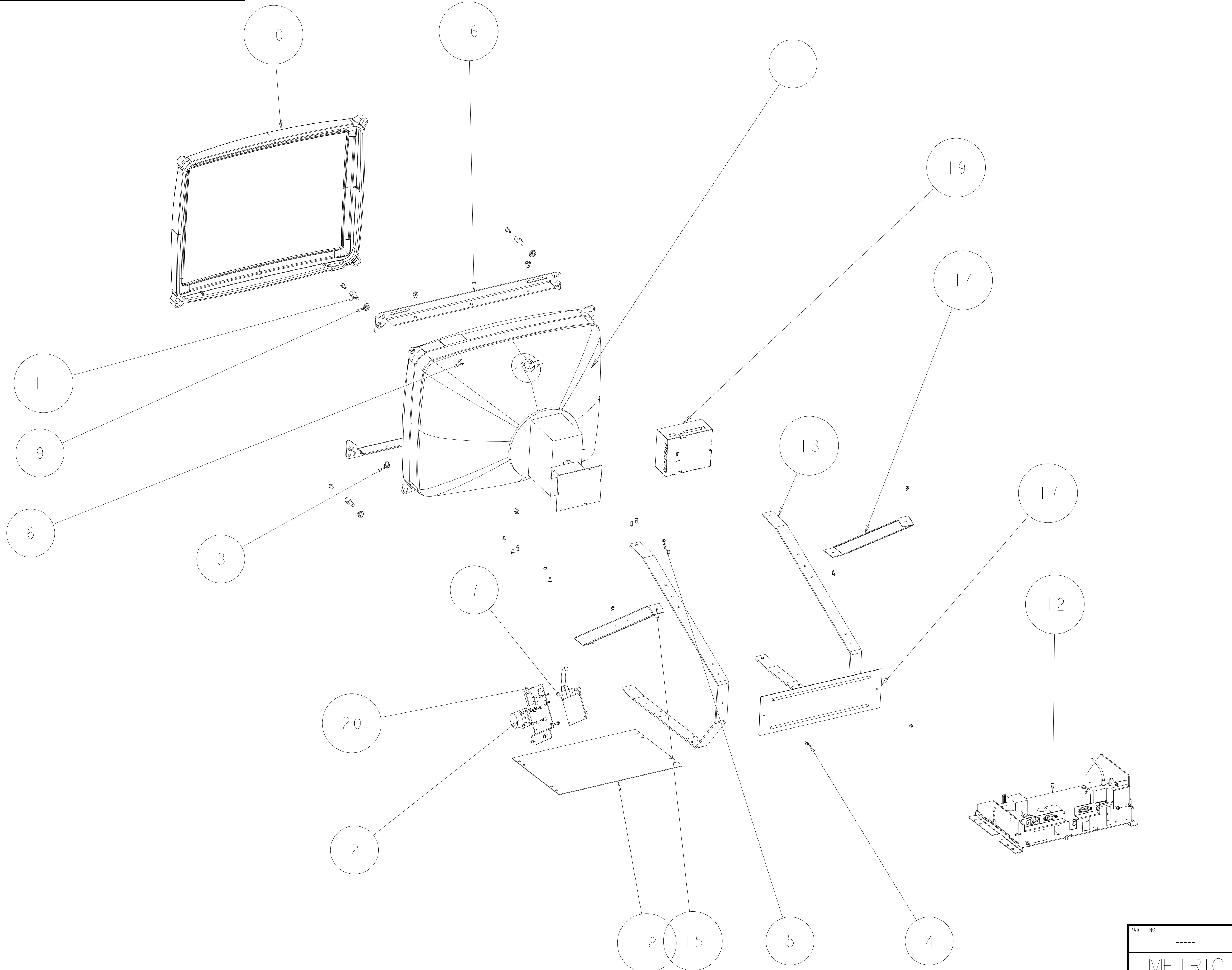


DRAWN BY: []		CHECKED BY: []		DESIGNED BY: []		DATE: []		TVM CONFIDENTIAL	
APPROVED BY: []		DATE: []		PART NAME: []		DATE: []		TVM TAIWAN VIDEO & MONITOR CORP.	
THIRD ANGLE PROJECTION		SCALE: 1:1		DRAWN BY: []		DATE: []		PART NAME: []	
MATERIAL: []		COLOR: []		PROCESS: []		DATE: []		TVM TAIWAN VIDEO & MONITOR CORP.	

1
2
3
4
5
6
7
8
9
10

PROPRIETARY TO ELO TOUCHSYSTEMS, INC. AND SHALL NOT BE DISCLOSED OTHER THAN TO NECESSARY EMPLOYEES OR SUPPLIERS WITHOUT THE EXPRESS WRITTEN CONSENT OF ELO TOUCHSYSTEMS, INC.

REVISIONS					
REV	ZONE	BY	DESCRIPTION	DATE	APPROVED
1	--	A.K.	DRAWING CREATION	03-11-03	



ITEM NO.	QTY REQ'D	DRAWING OR PART NO.	DESCRIPTION	MATERIAL SPECIFICATION
20	1	SHEET 9	BRACKET CONTROLLER, ETI SERIES.	STANDARD
19	1	SHEET 8	VIDEO SHIELD, CRT	
18	1	SHEET 7	BRACKET, MAINBOARD ETI SERIES	STANDARD
17	1	SHEET 6	BACKCOVER, ETI SERIES	STANDARD: 15", 17", 19"
16	2	SHEET 5	CHASSIS TOP, ET1987C-4SWA-1	
15	1	SHEET 4	BRACE, ANGLE, RIGHT, ET1987C-4SWA-1	
14	1	SHEET 3	BRACE, ANGLE, LEFT, ET1987C-4SWA-1	
13	2	SHEET 2	BRANCE, 19", ET1987C-4SWA-1	
12	1	SD502787	MAINBOARD ASSY., ETI SERIES.	
11	4	SD502706	STANDOFF, M6, HEX.	19IN ETI, CURVED
10	1	SD502705	ET1987C-4SWA-1, MINI-BEZEL CURVED.	
9	4	SD502702	WASHER, SHOULDER, 19IN CRT.	
8	1	502383	ARRAY LAYOUT & CABLE ATTACH FST 19IN CPT	SCREEN LAYOUT
7	1		TOUCH CONTROLLER	STANDARD
6	4		SCREW, PAN HD M4X0.7X10 WITH FLAT WASHER & LOCK WASHER	STEEL, ZINC PLATED
5	8		SCREW, PAN HD, M4X0.7X6	ZINC PLATED STEEL
4	12		SCREW, PAN HD, M3X0.5X8	ZINC PLATED STEEL
3	4		SCREW, HMP M6X1.0X6	STEEL, ZINC PLATED
2	1		OSD CONTROLLER	STANDARD
1	1		19CPT_AND_VIDEO.ASM	19" CRT

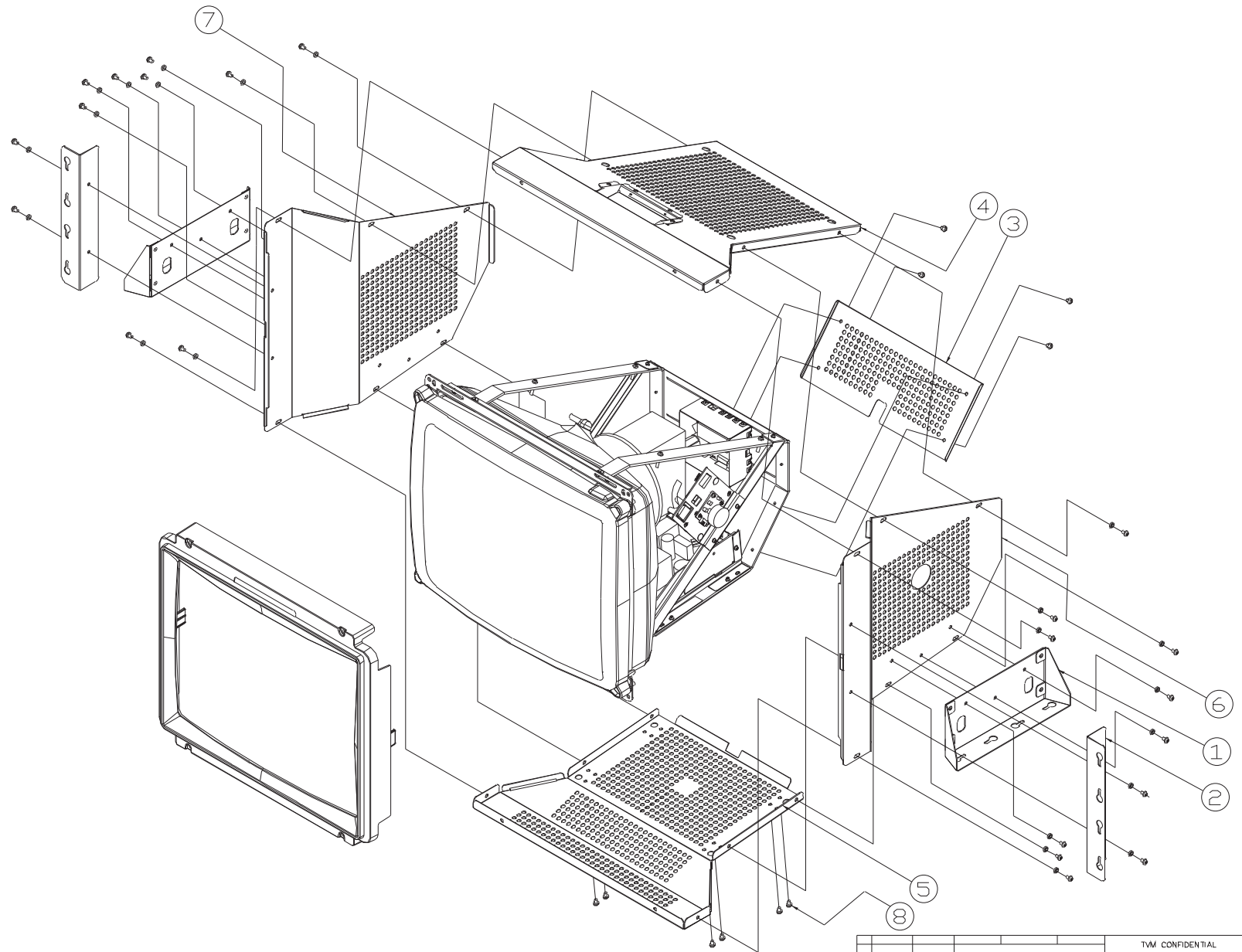
PART. NO. -----		UNLESS OTHERWISE SPECIFIED ALL DIMENSIONS ARE IN MILLIMETERS		DRAWN A.K. CHECK		DATE 03-11-03		TITLE	
METRIC		TOLERANCES ARE: DECIMALS ANGLES X : ± 0.50 ± 1/2° .X : ± 0.25 FRACTIONS .XX: ± 0.13 ± 1/32		DESIGN A.K.		DATE 03-11-03		1987C-4SWA-1 GAMING MONITOR.	
DO NOT SCALE DRAWING		THIRD ANGLE PROJECTION		DATE 03-11-03		19" CRT		Elo TOUCHSYSTEMS	
Proj: prt1.asm SD502753.ASM		SIZE D		SCALE 1:4		SHEET 1 OF 9		DWG. NO. SD502753	
Proj: drw: SD502753.DRW		REV 1		REV 1		REV 1		REV 1	

BOM: NO. SD502753 REV 1

R E V I S I O N S				
EDN	REV.	DESCRIPTION	DATE	APPROVED

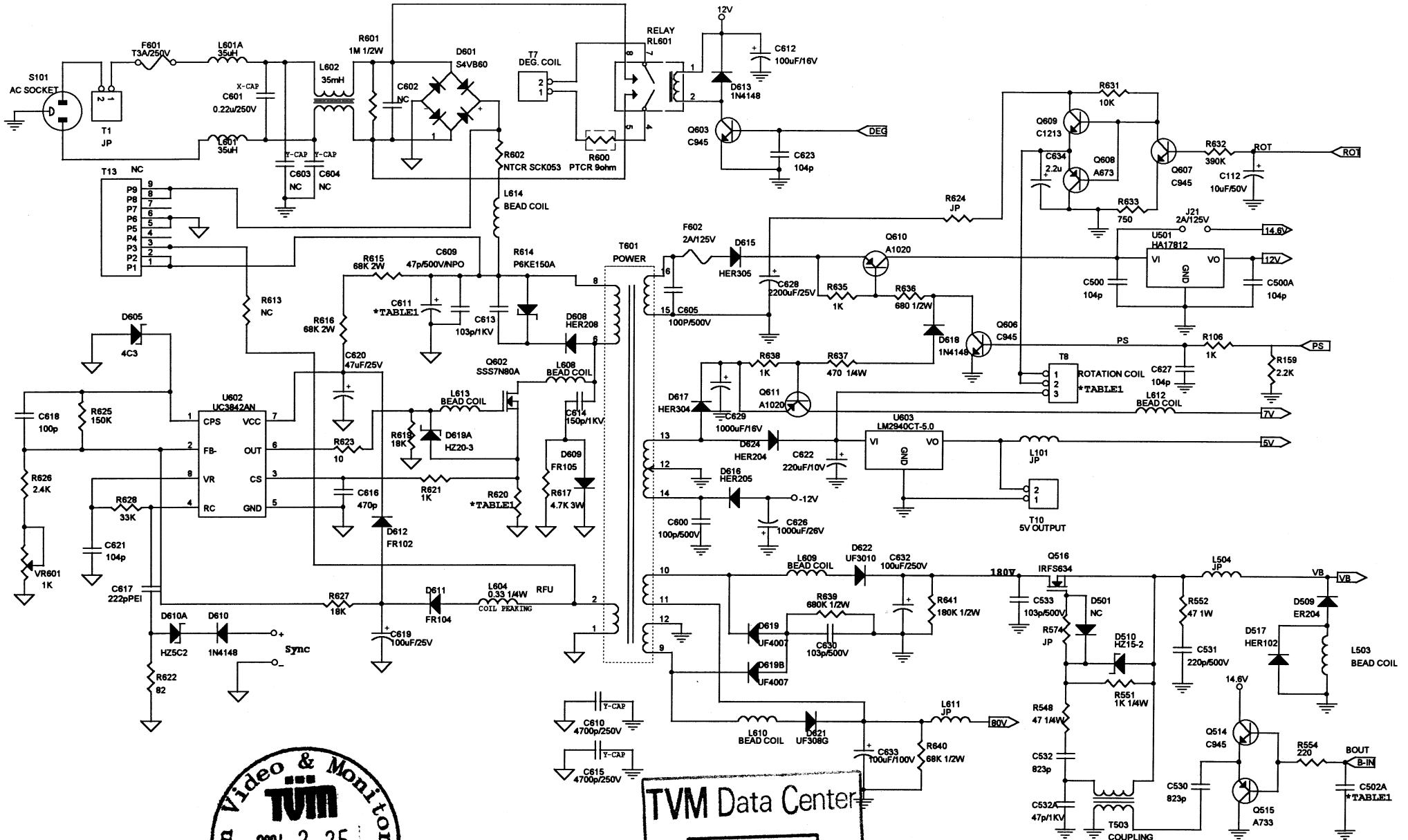
SD502707 MECHANICAL PARTS LIST

NO.	PARTS NO.	I.D.	DESCRIPTION	QTY
1	720134100101		SD502709 ITEM 1	2
2	720134200101		SD502709 ITEM 2	2
3	720134300101		SD502709 ITEM 3	1
4	720134400101		SD502709 ITEM 4	1
5	720134600101		SD502709 ITEM 6	1
6	720134700101		SD502709 ITEM 7	1
7	720134800101		SD502709 ITEM 8	1
8	771377050201		SCREW CPTSPB 4.0x8 ZN-Cc	4



DRAWN BY: CHEN		CHECKED BY: CHEN		DATE: 2001.08.15		PART NAME: SD502707	
APPROVED BY: CHEN		DATE: 2001.08.15		DRAWN: CHEN		DATE: 2001.08.15	
TVM CONFIDENTIAL		TVM CONFIDENTIAL		TVM CONFIDENTIAL		TVM CONFIDENTIAL	
TAIWAN VIDEO & MONITOR CORP.		TAIWAN VIDEO & MONITOR CORP.		TAIWAN VIDEO & MONITOR CORP.		TAIWAN VIDEO & MONITOR CORP.	

1
2
3
4
5
6
7
8
9
10

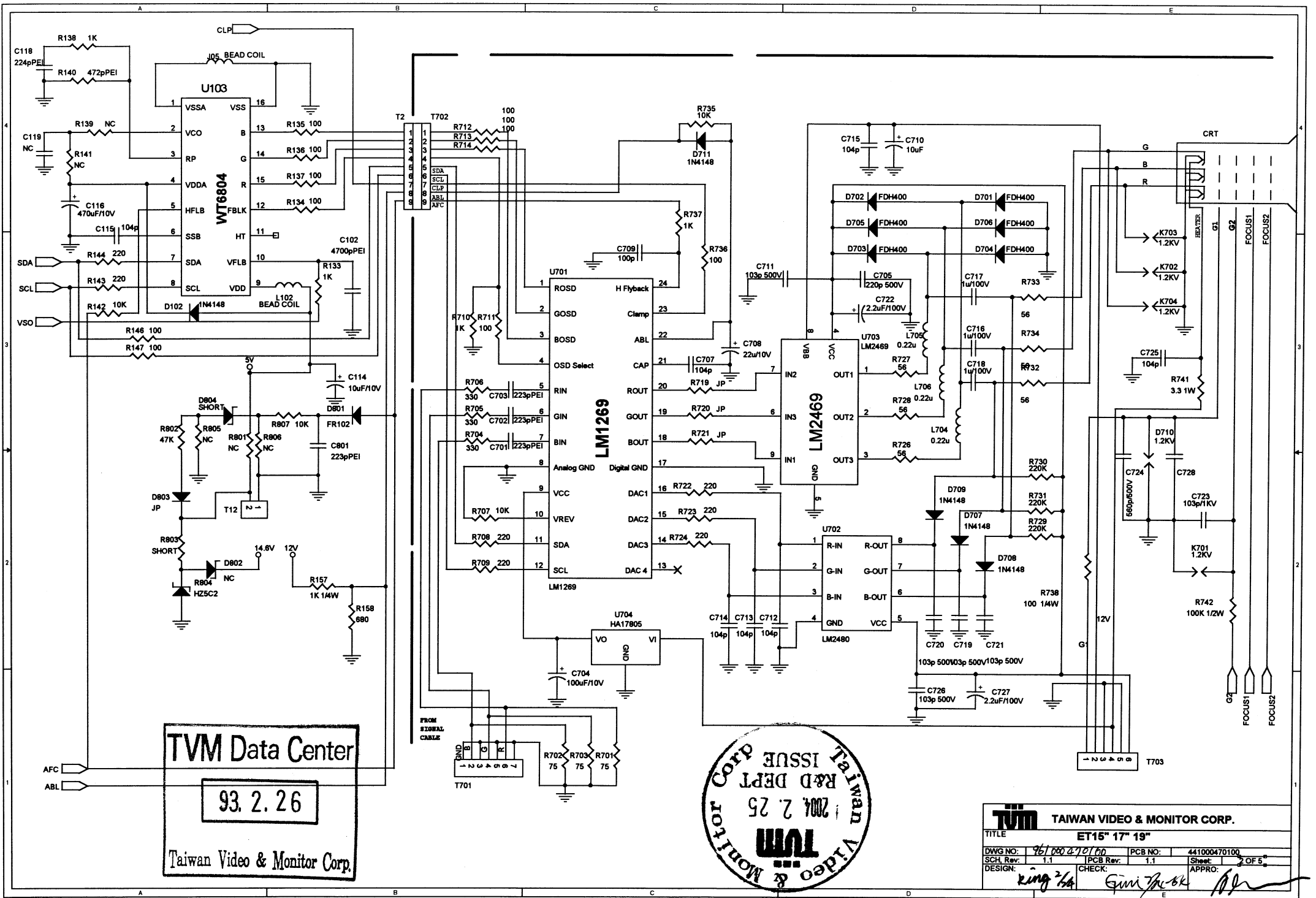


TVM Data Center

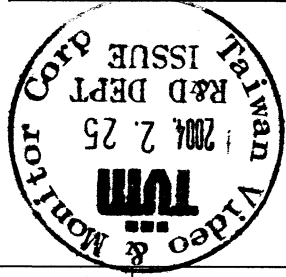
93. 2. 26

Taiwan Video & Monitor Corp.

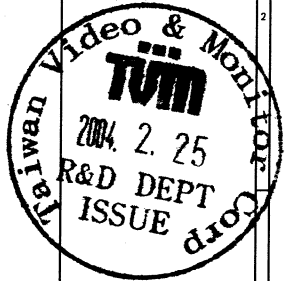
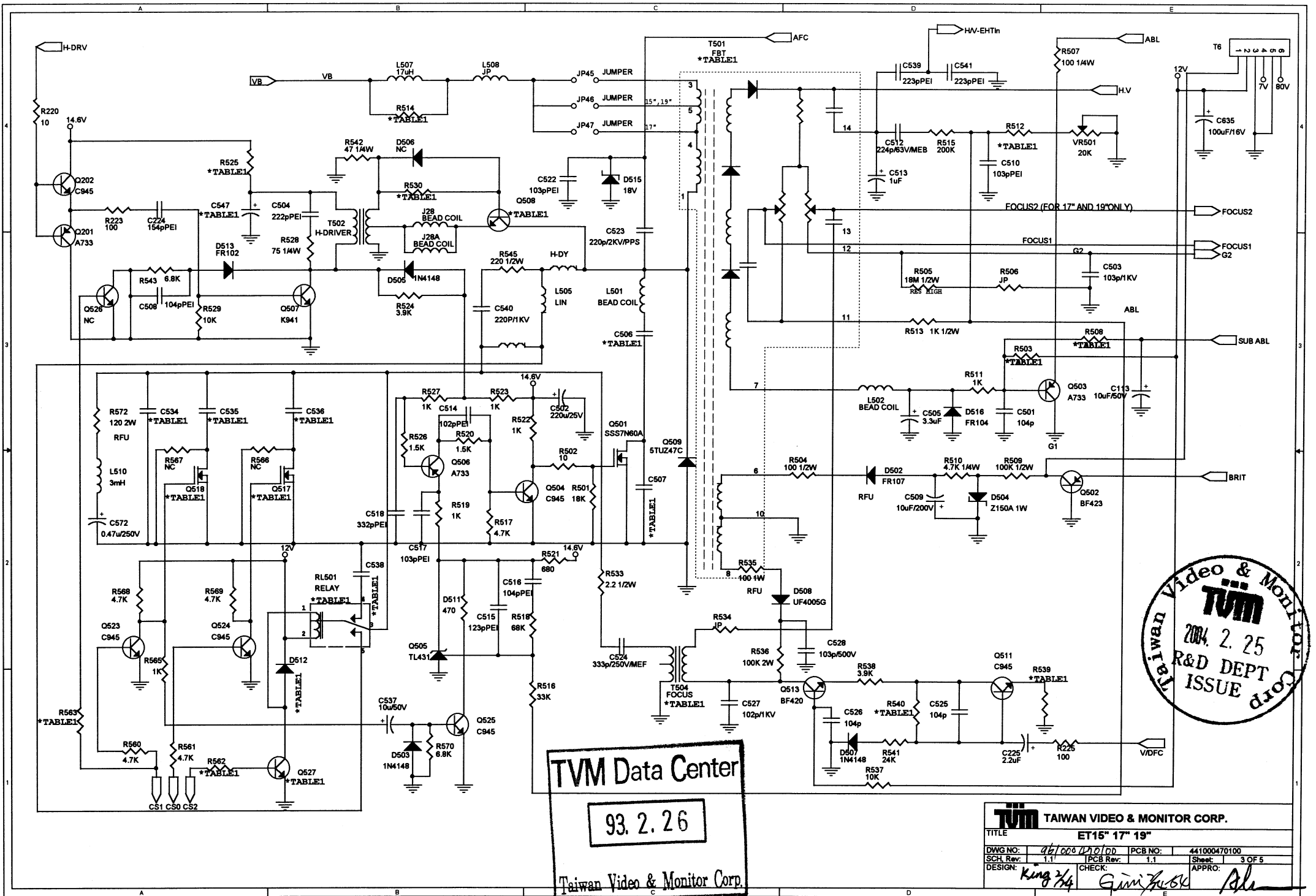
TAIWAN VIDEO & MONITOR CORP.	
TITLE ET15" 17" 19"	
DWG NO: 961000470100	PCB NO: 441000470100
SCH. Rev: 1.1	PCB Rev: 1.1
DESIGN: King	CHECK:
Sheet: 1 OF 5	APPRO:



TVM Data Center
93.2.26
 Taiwan Video & Monitor Corp.



TVM TAIWAN VIDEO & MONITOR CORP.	
TITLE: ET15" 17" 19"	
DWG NO: 961000 270101	PCB NO: 441000470100
SCH. Rev: 1.1	PCB Rev: 1.1
DESIGN: King 2/26	APPRO: Gumi 2/26
CHECK: King 2/26	Sheet: 2 OF 5

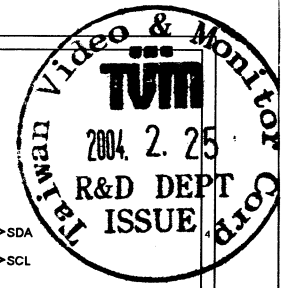


TVM Data Center

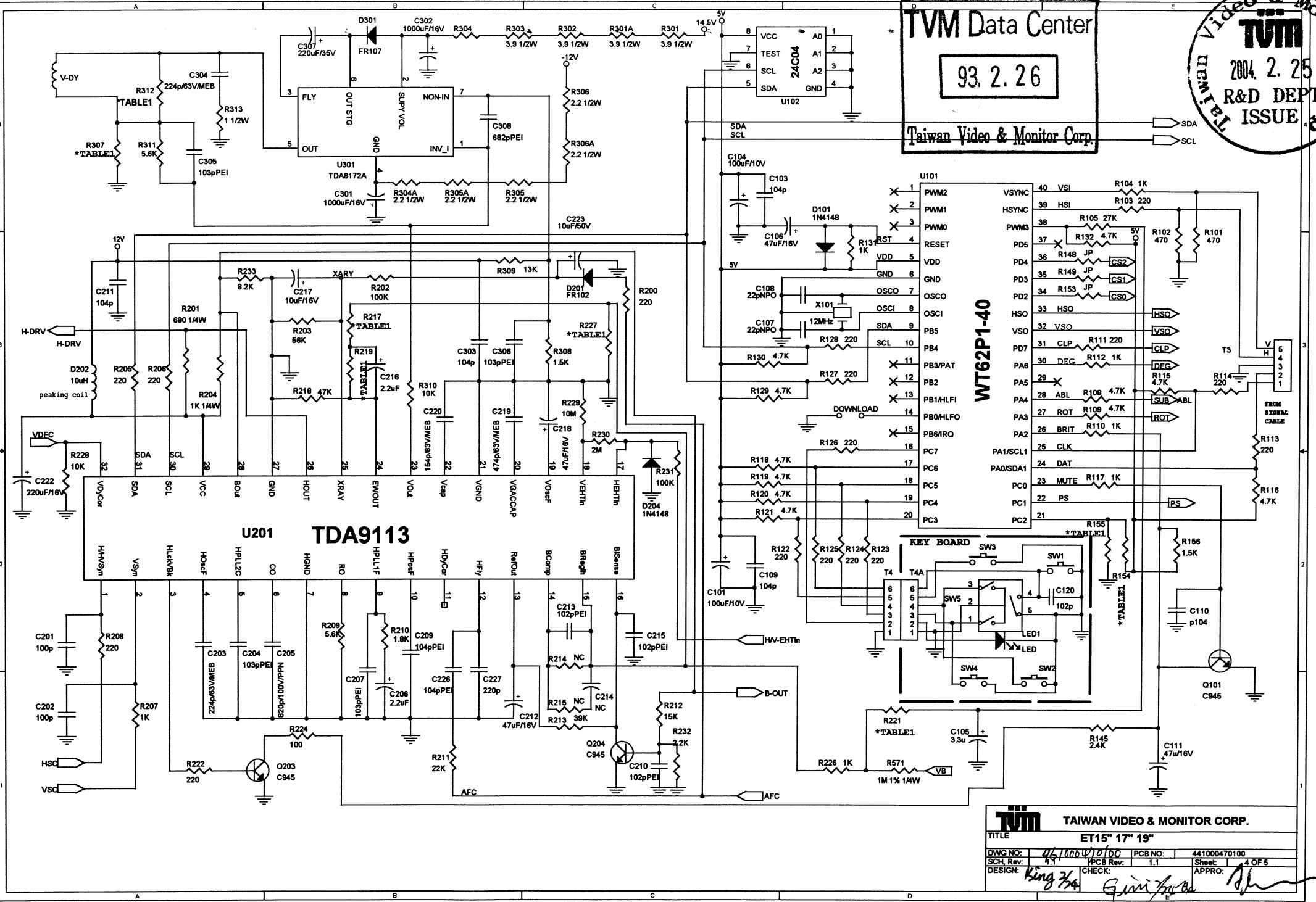
93.2.26

Taiwan Video & Monitor Corp.

TAIWAN VIDEO & MONITOR CORP.	
TITLE ET15" 17" 19"	
DWG NO: 961000 110100	PCB NO: 441000470100
SCH. Rev: 1.1	PCB Rev: 1.1
DESIGN: King 2/4	CHECK: Jim 2/6
APPRO: [Signature]	Sheet: 3 OF 5



TVM Data Center
93.2.26
Taiwan Video & Monitor Corp.



TVM TAIWAN VIDEO & MONITOR CORP.

TITLE: ET15" 17" 19"

DWG NO:	441000470100	PCB NO:	441000470100
SCH. Rev:	4.1	IPC Rev:	1.1
DESIGN:	King	CHECK:	Guan
		APPRO:	

Sheet: 4 OF 5

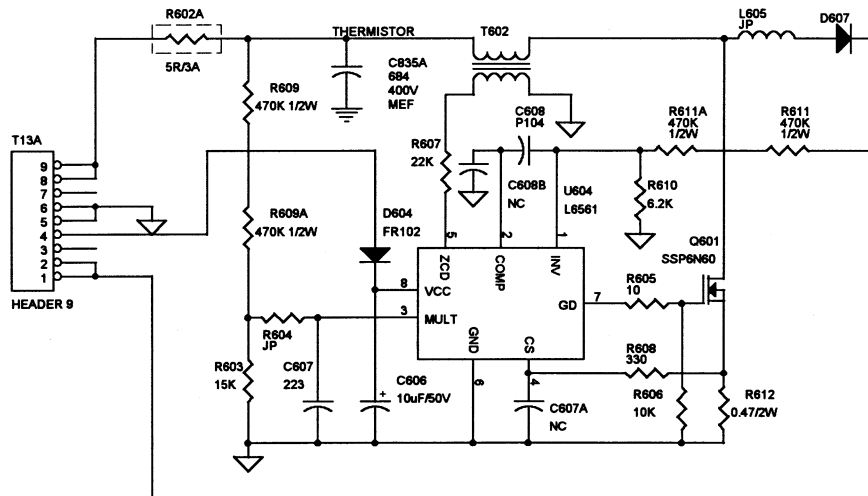


TABLE 1
TABLE OF DIFFERENTIAL PARTS

ITEM	MODEL	ET15	ET17C	ET19C	ET19F
1	C502A	NC	NC	560p/50V	560p/50V
2	C506	472p/1.6KV/PPS	512p/1.6KV/PPS	622p/1.6KV/PPS	622p/1.6KV/PPS
3	C507	392p/630V/PPN	392p/630V/PPN	392p/630V/PPN	392p/630V/PPN
4	C534	334p/250V/MPF	274p/400V/MPF	434p/400V/MPF	394p/400V/MPF
5	C535	224p/250V/MPF	104p/250V/MPF	224p/250V/MPF	184p/250V/MPF
6	C536	434p/250V/MPF	224p/250V/MPF	394p/250V/MPF	334p/250V/MPF
7	C538	NC	564p/250V/MPF	1.2u/250V/MPF	1.2u/250V/MPF
8	C547	2.2u/50V	2.2u/50V	224p/50V/PEL	224p/50V/PEL
9	C611	150u/400V	150u/400V	330u/400V	330u/400V
10	D512	NC	1N4148	1N4148	1N4148
11	L605	3210000021900	321000002500	321000002300	321000002300
12	J46	JP	NC	JP	JP
13	J47	NC	JP	NC	NC
14	Q508	2SC5386 (HFE)	2SC5387 (HFE)	2SC5387 (HFE)	2SC5387 (HFE)
15	Q517	IRF5630A	IRF5630A	IRF5640A	IRF5640A
16	Q518	IRF5630A	IRF5630A	IRF5640A	IRF5640A
17	Q527	NC	8945P	8945P	8945P
18	R154	4.7K 1/8W	4.7K 1/8W	NC	NC
19	R155	7.5K 1/8W	2.7K 1/8W	JP	JP
20	R217	33K 1/8W	43K 1/8W	68K 1/8W	68K 1/8W
21	R219	56K 1/8W	47K 1/8W	75K 1/8W	75K 1/8W
22	R221	56K 1/8W	56K 1/8W	75K 1/8W	75K 1/8W
23	R227	100K 1/8W	100K 1/8W	120K 1/8W	120K 1/8W
24	R307	1.5 1/2W	1.2 1/2W	1.2 1/2W	1.2 1/2W
25	R312	150 1/2W	560 1/2W	150 1/2W	470 1/2W
26	R503	24K 1/8W	18K 1/8W	15K 1/8W	15K 1/8W
27	R508	18K 1/8W	33K 1/8W	18K 1/8W	18K 1/8W
28	R512	82K 1/2W	75K 1/2W	82K 1/2W	82K 1/2W
29	R514	100 3W	56 3W	100 3W	100 3W
30	R525	68 3W	68 3W	18 3W	18 3W
31	R530	0.47 2W	0.18 2W	0.1 2W	0.1 2W
32	R535	330 1/8W	330 1/8W	270 1/8W	270 1/8W
33	R540	300K 1/8W	300K 1/8W	180K 1/8W	180K 1/8W
34	R562	NC	1K 1/8W	1K 1/8W	1K 1/8W
35	R563	NC	NC	1K 1/8W	1K 1/8W
36	R620	0.27 5W	0.27 5W	0.22 5W	0.22 5W
37	RL501	NC	432001200500	432001200500	432001200500
38	TS01	331100002100	331100002300	331100002300	331100002300
39	TS04	331250000600	331250000600	331250000800	331250000600
40	CHT	M36AJA93X46	M41AGE93X46	M46AJM53X76	M46QRB261X001
41	CHTA	450010001600	450010000900	450010001600	450010001600
42	CHTFCB	441100300000	441100310000	441100310000	441100310000
43	T2	531000900800	531000900900	531000900900	531000900900
44	T8	452102500200	452102500200	452142500300	452142500300

NOTE:

1. ALL RESISTORS ARE 1/8W AND 5% UNLESS OTHERWISE NOTED.
2. ALL CAPACITORS RATING ARE 50V UNLESS OTHERWISE NOTED.
3. ALL ARE CERAMIC CAP OTHERWISE NOTED.
4. ALL ARE ELEC CAP OTHERWISE NOTED.

TVM Data Center
93. 2. 26
Taiwan Video & Monitor Corp.



TVM TAIWAN VIDEO & MONITOR CORP.			
TITLE ET15" 17" 19"			
DWG NO:	961000 470/20	PCB NO:	441000470100
SCH Rev:	1.1	PCB Rev:	1.1
DESIGN:	king	CHECK:	Quinn
		APPRO:	Ab
		Sheet:	5 OF 5