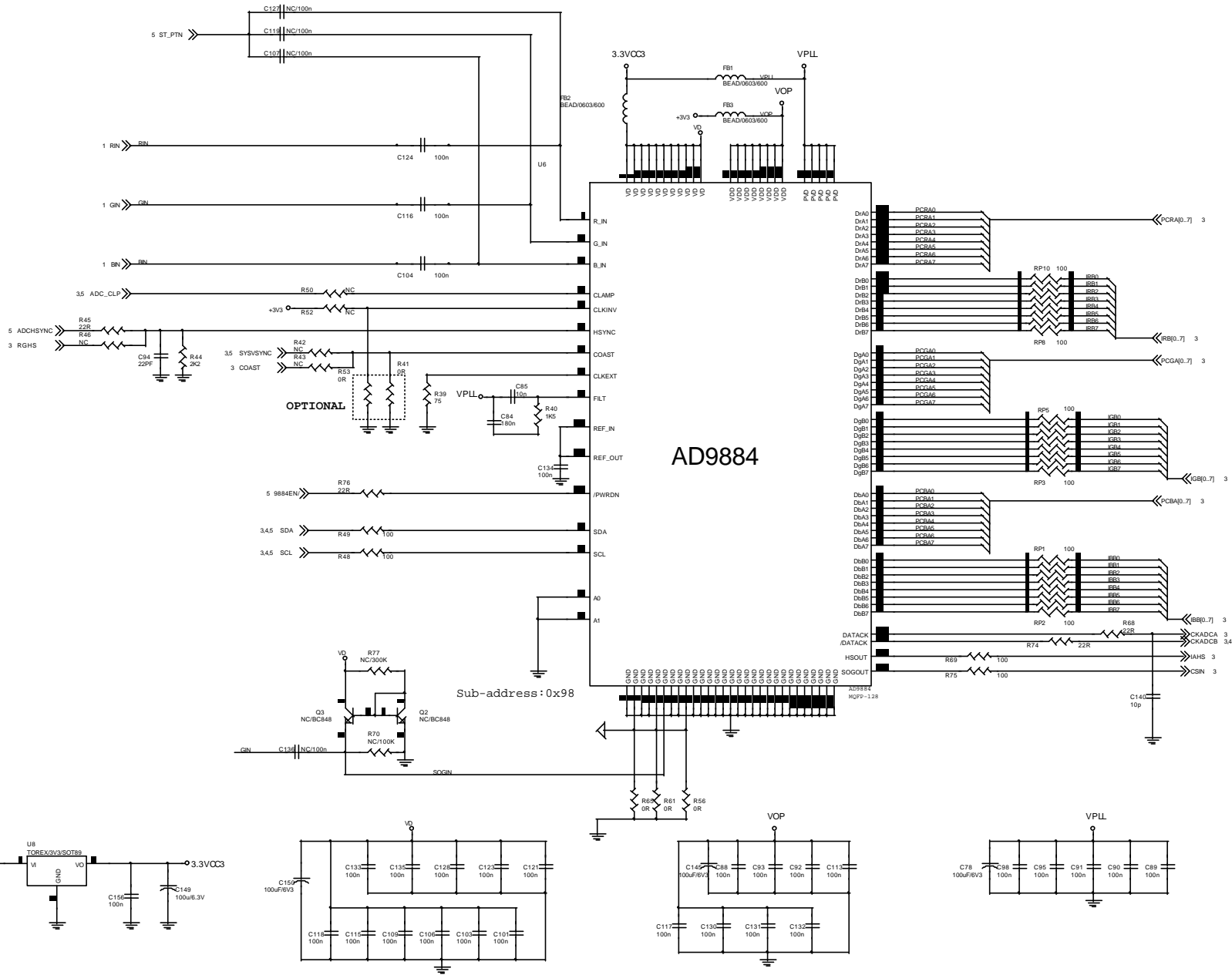


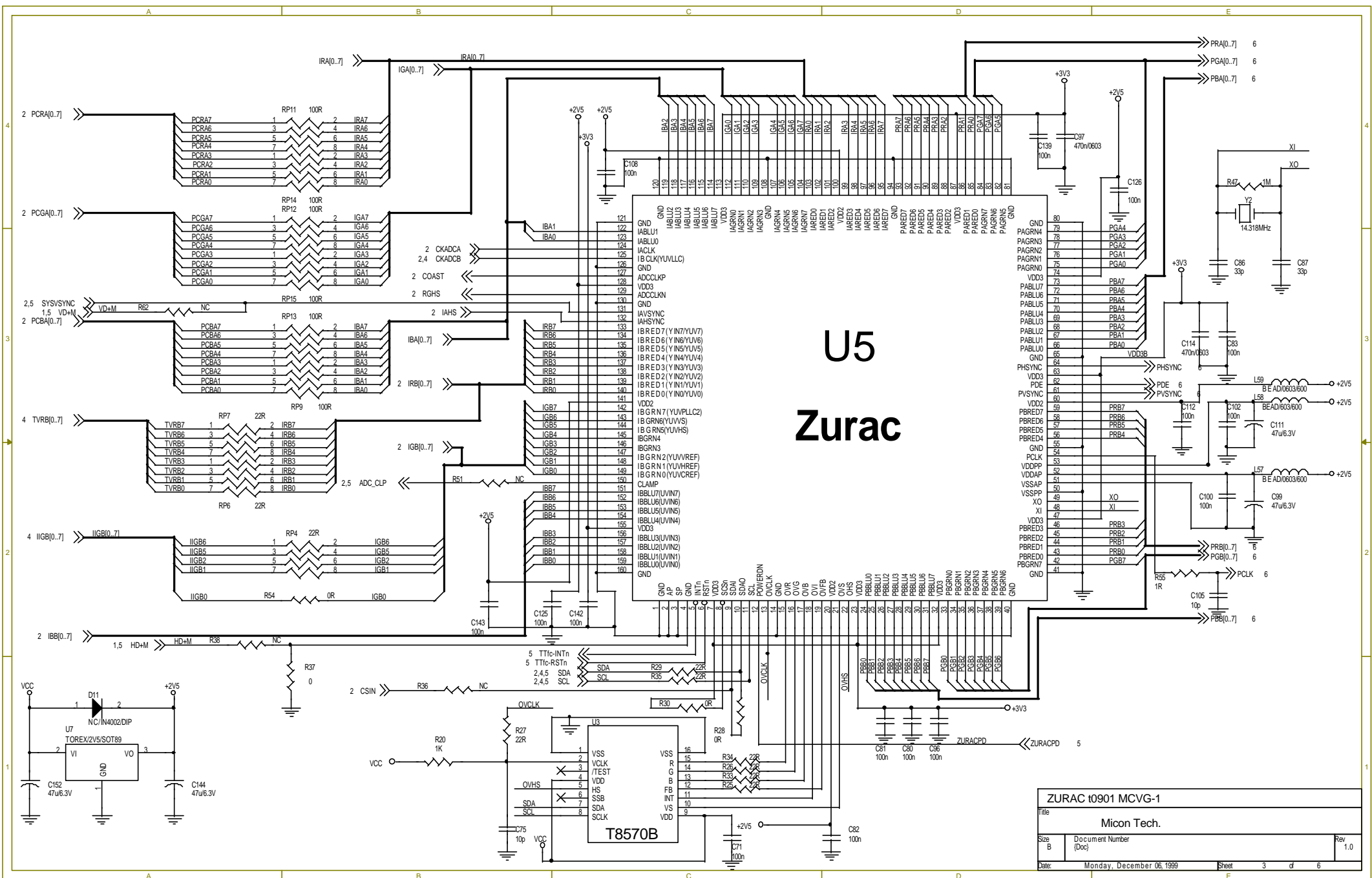
Title		
VGA IN & PWR		
Size	Document Number	Rev
B	(Doc)	1.0
Date:	Tuesday, December 07, 1999	Sheet 1 of 6



AD9884

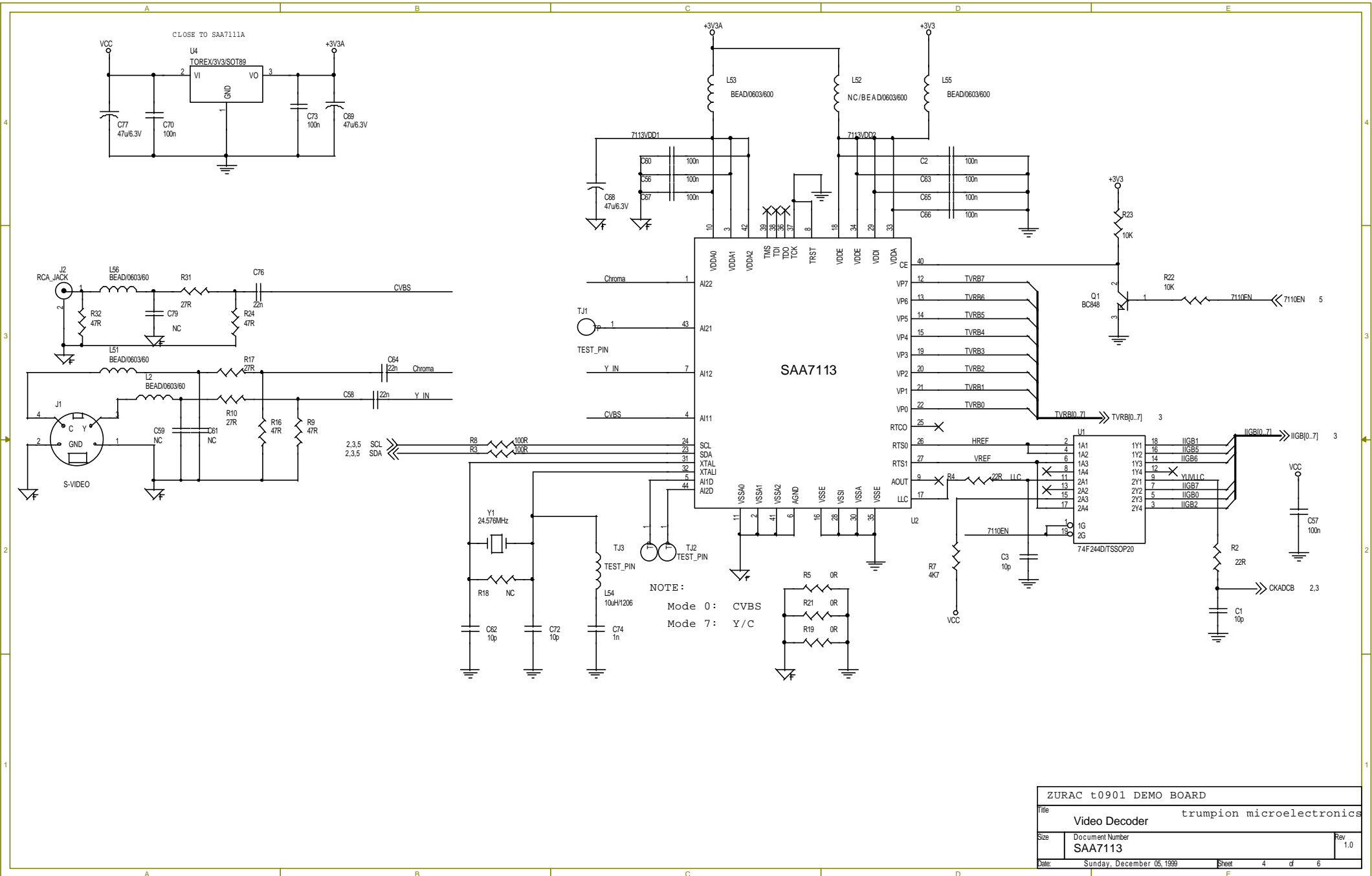
Sub-address: 0x98

ZURAC i0901 DEMO BOARD		
File	trumpion microelectronics	
AD9884 ADC		
Size	Document Number	Rev
C	(Doc)	1.0
Date	Tuesday, December 07, 1999	Sheet 2 of 6



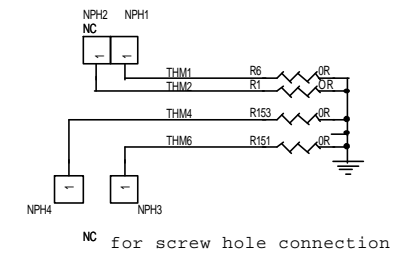
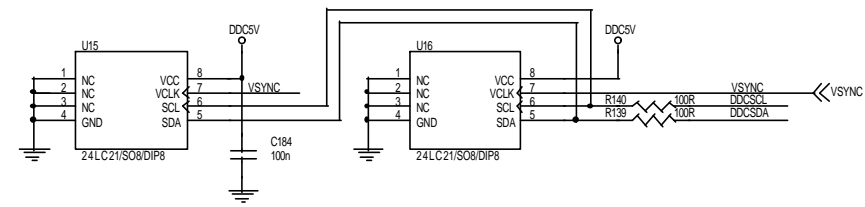
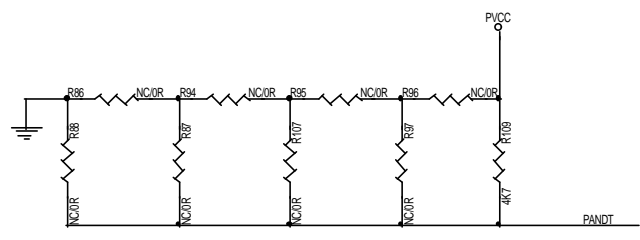
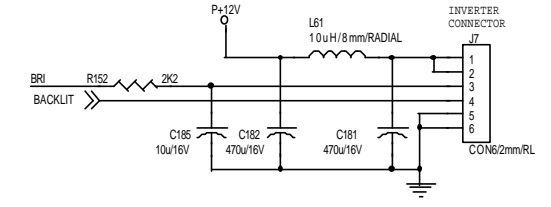
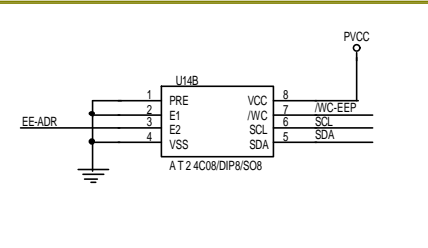
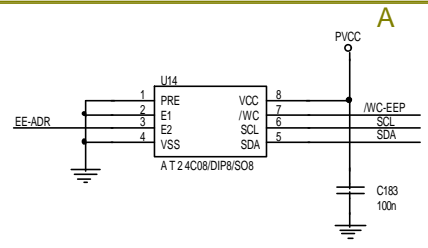
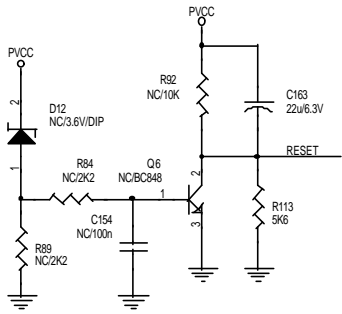
U5
Zurac

ZURAC t0901 MCVG-1		
Micon Tech.		
Size B	Document Number (Doc)	Rev 1.0
Date: Monday, December 06, 1999	Sheet 3 of 6	

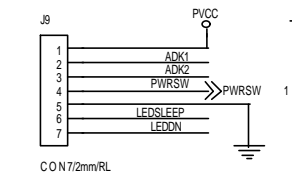
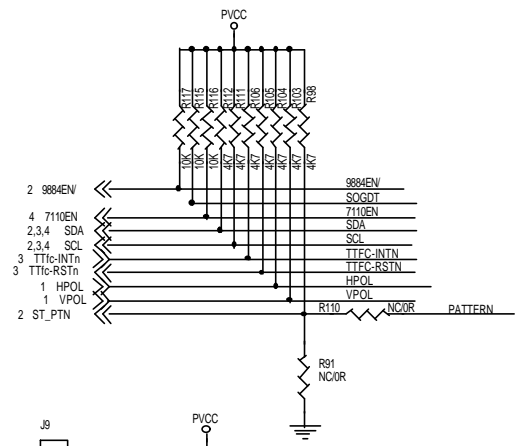


NOTE:
 Mode 0 : CVBS
 Mode 7 : Y/C

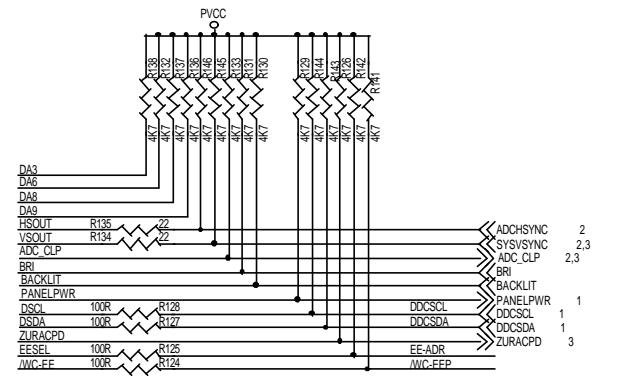
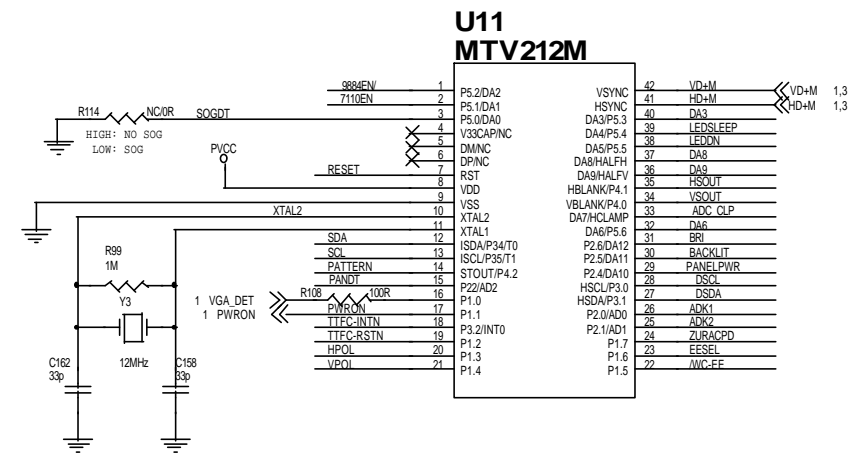
ZURAC t0901 DEMO BOARD		
Title	trumpion microelectronics	
Video Decoder		
Size	Document Number	Rev
	SAA7113	1.0
Date:	Sunday, December 05, 1999	Sheet 4 of 6



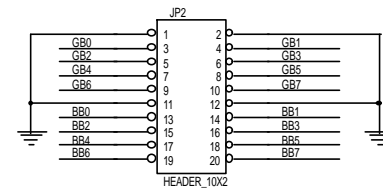
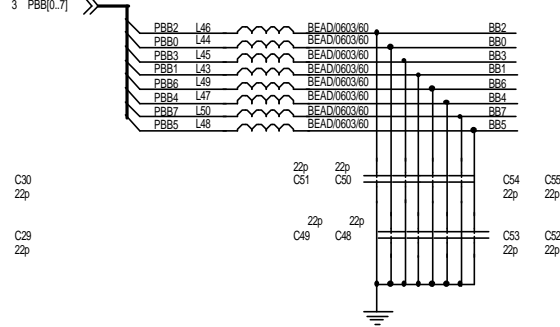
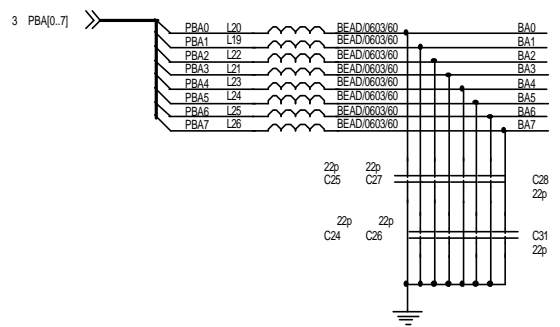
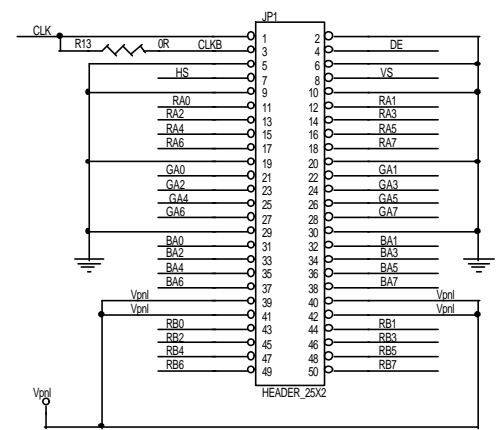
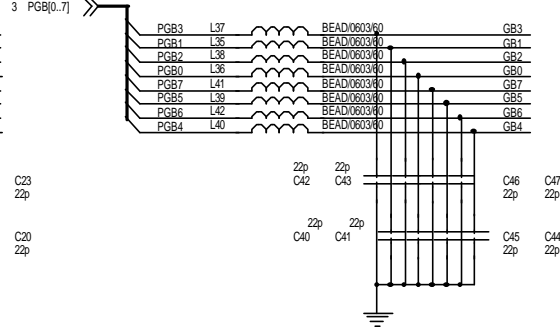
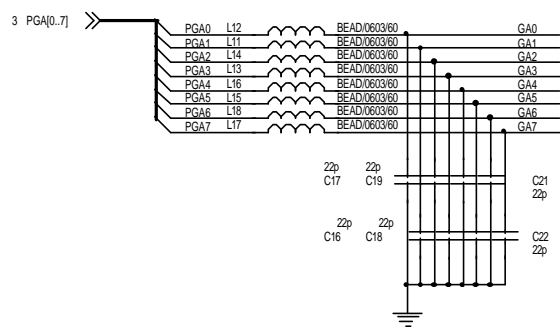
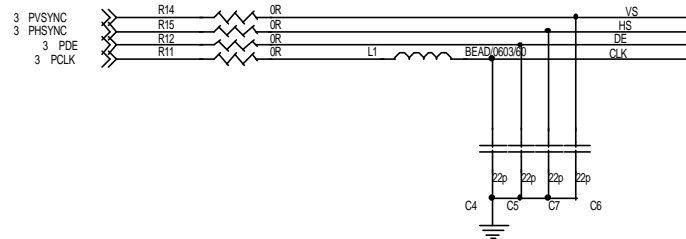
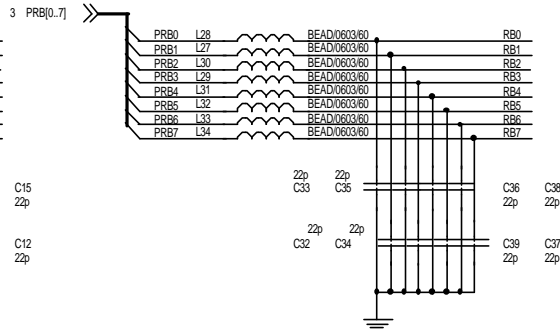
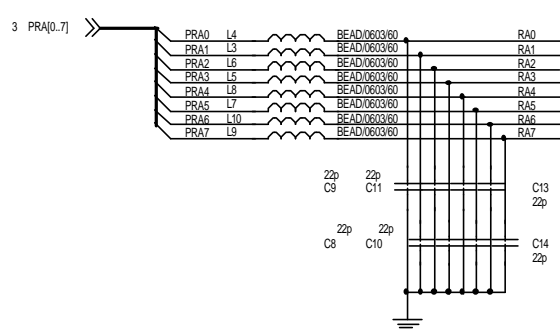
NC for screw hole connection



KEY BUTTON



Micon Tech.		
ZURAC t0901 MCVG-1		
Title CPU & CONTROL		
Size B	Document Number	Rev 1.0
Date Sunday, December 05, 1999	Sheet 5 of 6	



Title		
output circuit		
Size B	Document Number (Doc)	Rev 1
Date:	Sunday, December 05, 1999	Sheet 6 of 6