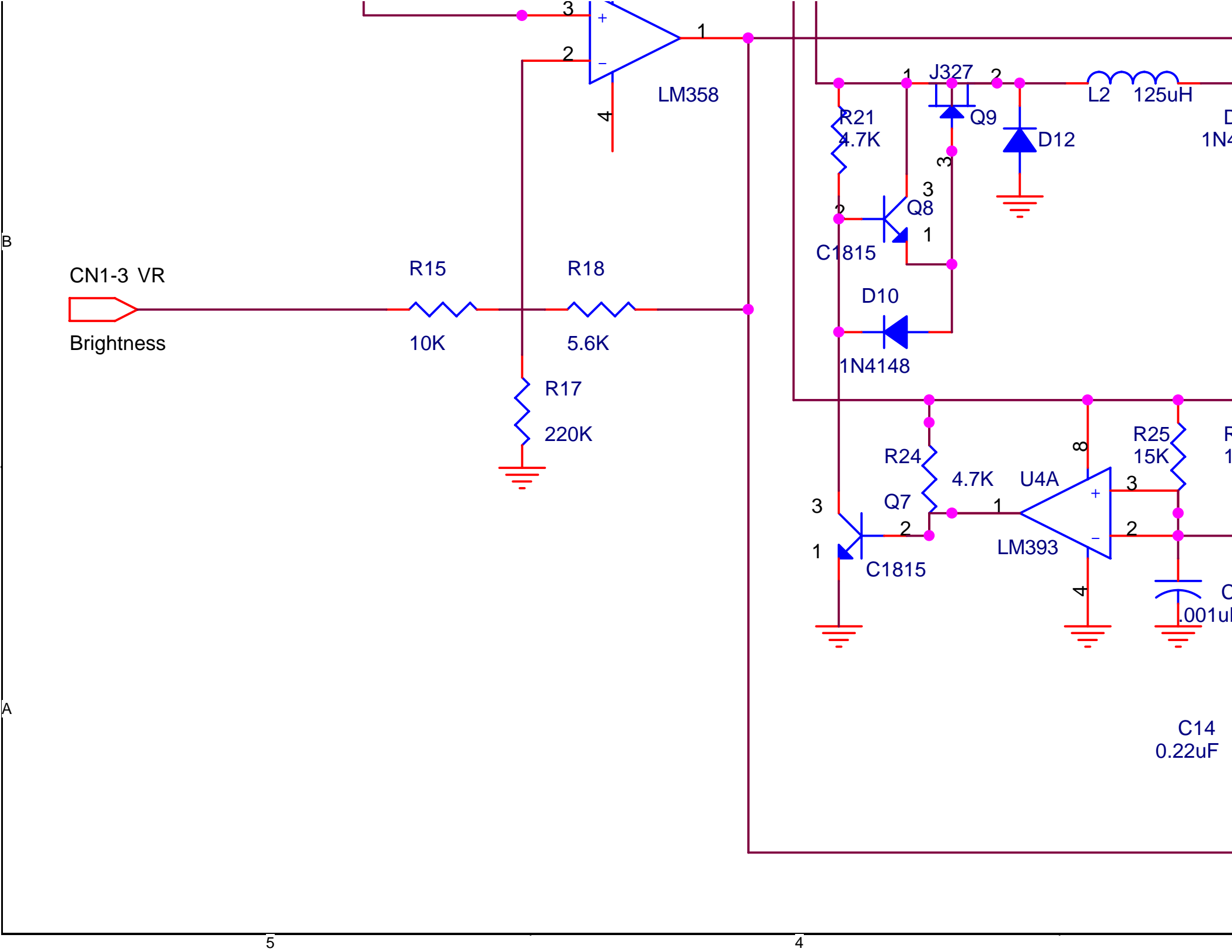
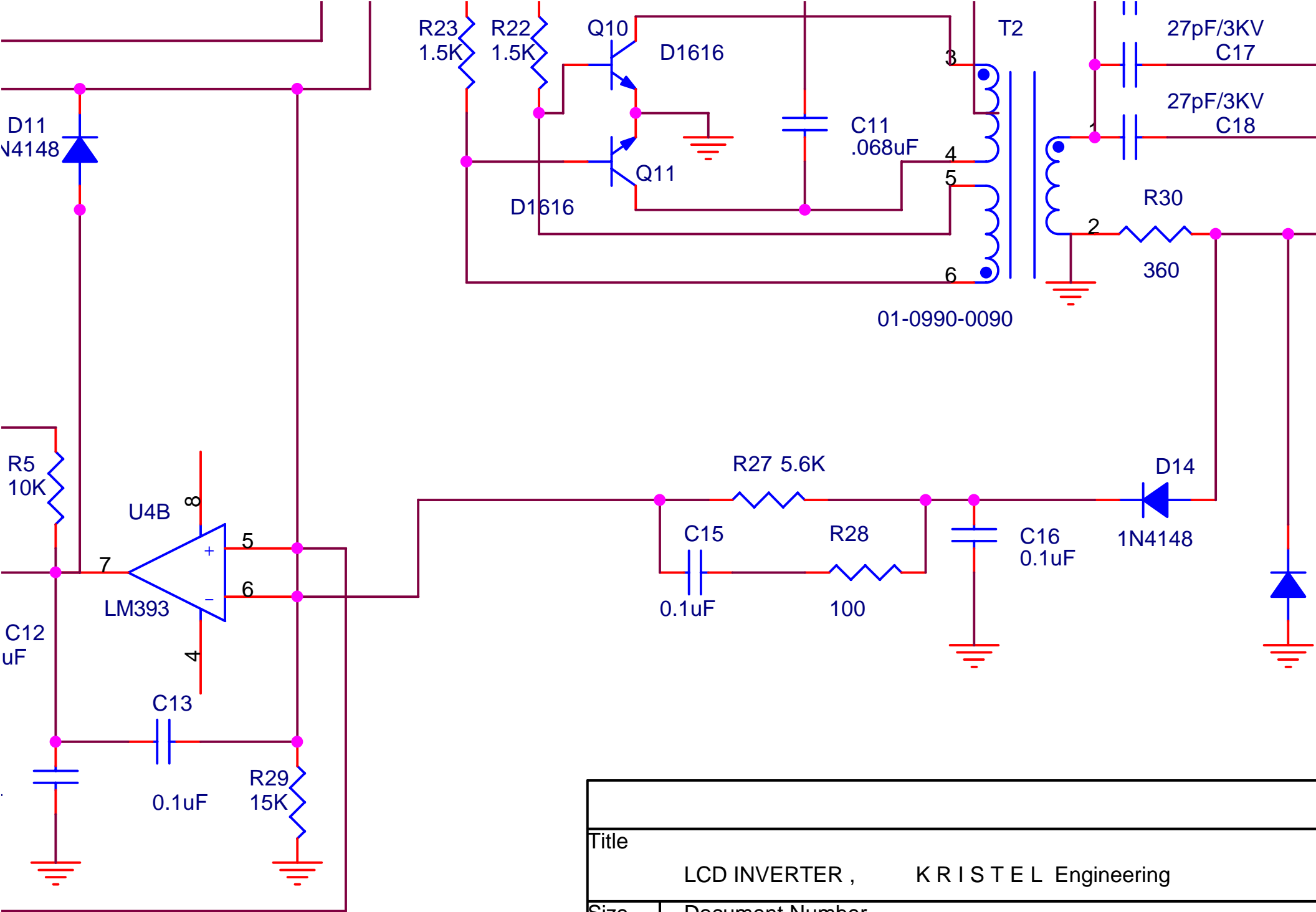




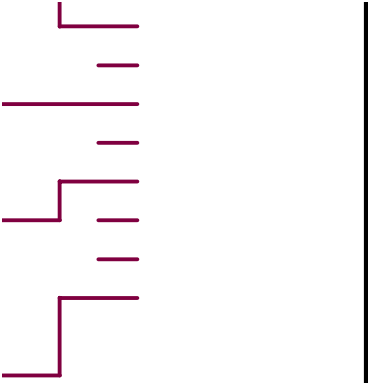
D

C





Title		LCD INVERTER , KRISTEL Engineering	
Size	Document Number	DRAWN: 2M	
A4	DV0-B063-2100	Date:	Tuesday, January 25, 2000
		Sheet	1 of 1



B

D13  
1N4148

A

2M	Rev 2000/C
1	