

2 Way Divertor User Manual



This document is the copyright of Money Controls Ltd and may not be reproduced in part or in total by any means, electronic or otherwise, without the written permission of Money Controls Ltd. Money Controls Ltd does not accept liability for any errors or omissions contained within this document. Money Controls Ltd shall not incur any penalties arising out of the adherence to, interpretation of, or reliance on, this standard. Money Controls Ltd will provide full support for this product when used as described within this document. Use in applications not covered or outside the scope of this document may not be supported. Money Controls Ltd. reserves the right to amend, improve or change the product referred to within this document or the document itself at any time.

Contents

1. Diary of Changes	3
2. Divertor Dimensions	4
2.1 Divertor Spares.....	5
2.2 Divertor Application Example.....	6

Tables

Table 16: Divertor Spares.....	5
--------------------------------	---

Figures

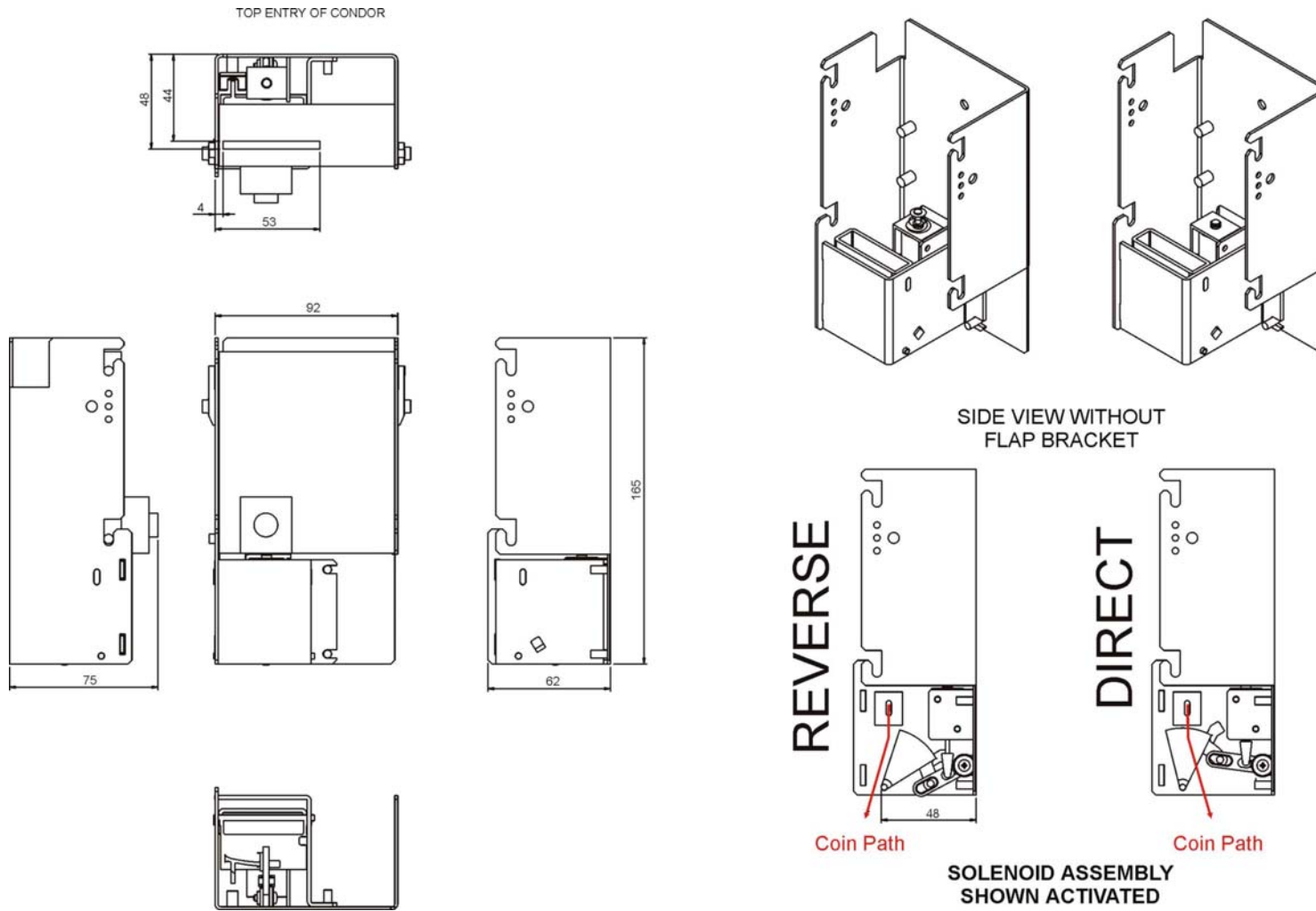
Figure 1: Divertor Dimensions	4
Figure 2: Divertor Interface Example	6

1. Diary of Changes

Issue 1.0.....	30 th March 2003
Issue 1.1.....	30 th June 2004

2. Divertor Dimensions

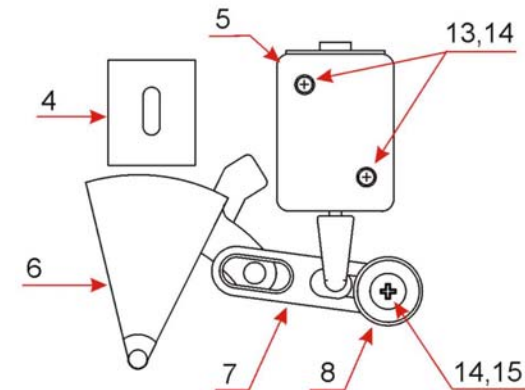
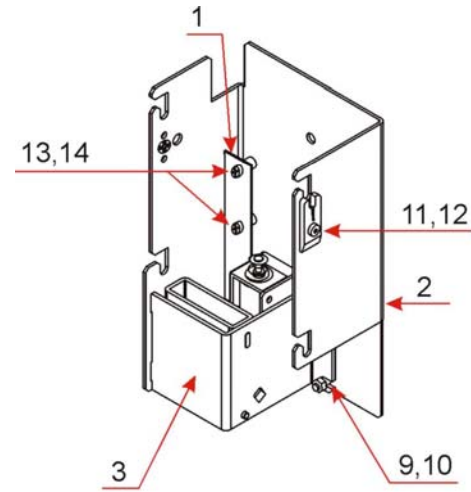
Figure 1: Divertor Dimensions



2.1 Divertor Spares

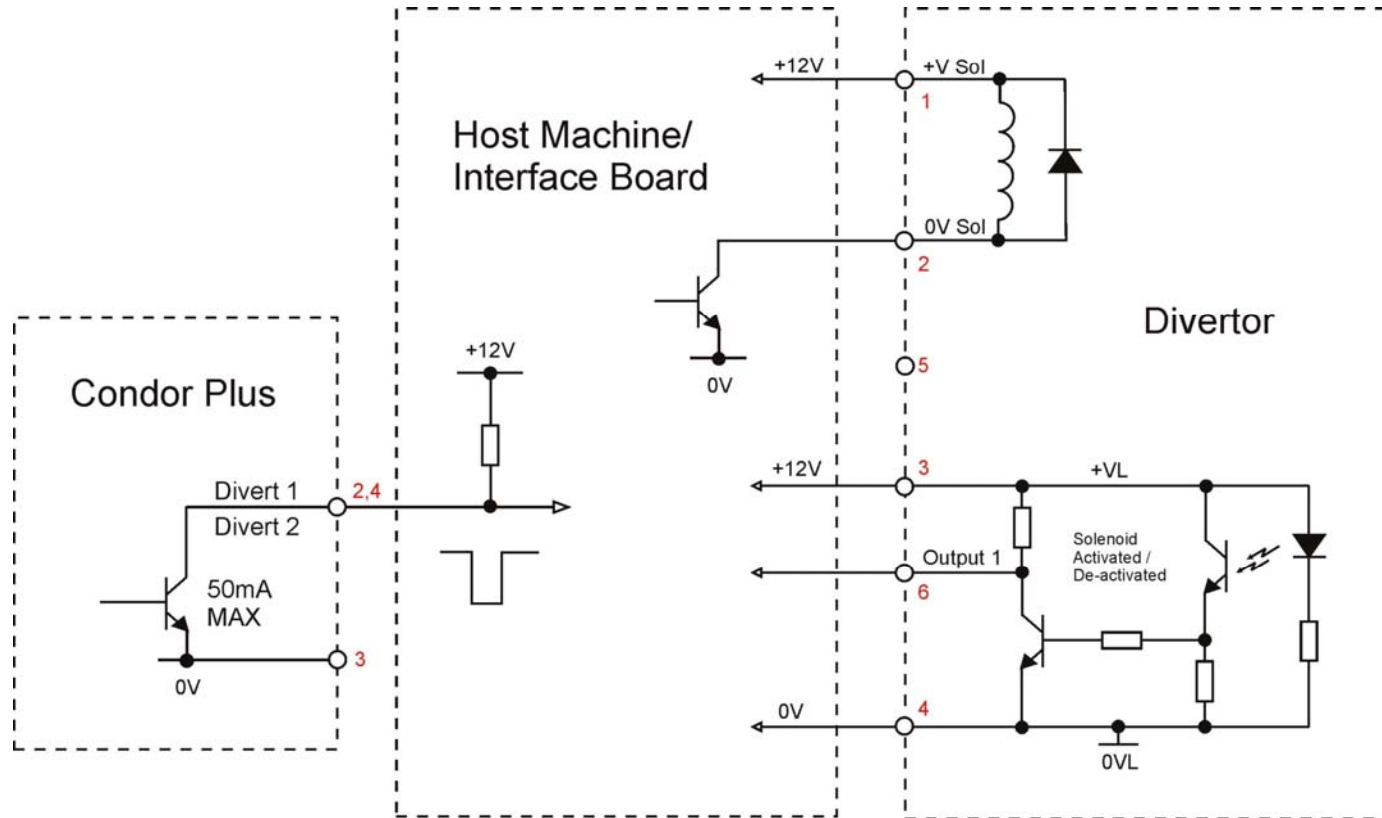
Table 1: Divertor Spares

Item	Description	Part Number
1	PCB	SCNDORXX00060
2	Main Bracket	SCNDORXX00107
3	Divertor Flap Bracket	SCNDORXX00099
4	Coin Guide	SCNDORXX00092
4	Direct Solenoid (complete)	SCNDORXX00090
5	Reverse Solenoid (complete)	SCNDORXX00091
6	Divertor Flap	SCNDORXX00095
7	Pivot Link	SCNDORXX00093
8	Spacer Bush	SCNDORXX00096
9	M4 Full Nut	SCNDORXX00100
10	M4 Shakeproof Washer	SCNDORXX00101
11	Mounting Bracket Clip	SCNDORXX00097
12	Self Tapping c/sunk Screw	SCNDORXX00106
13	M3 x 5 Pozi Pan M/C Screw	SCNDORXX00102
14	M3 Internal Shakeproof Washer	SCNDORXX00103
15	M3 x 10 Pozi Pan M/C Screw	SCNDORXX00104



2.2 Divertor Application Example

Figure 2: Divertor Interface Example



This manual is intended only to assist the reader in the use of this product and therefore Money Controls shall not be liable for any loss or damage whatsoever arising from the use of any information or particulars in, or any incorrect use of the product. Money Controls reserve the right to change product specifications on any item without prior notice.